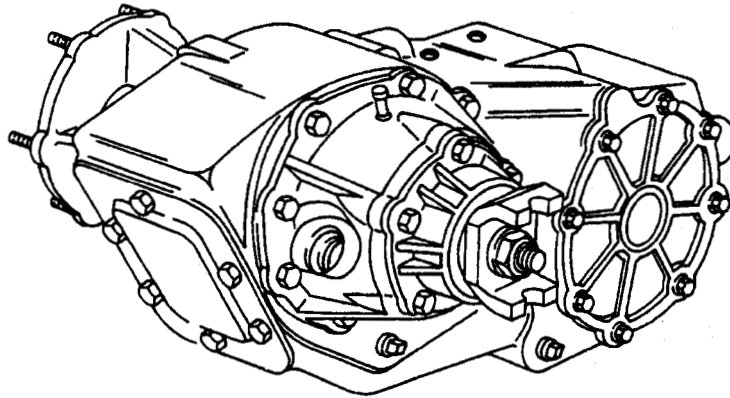
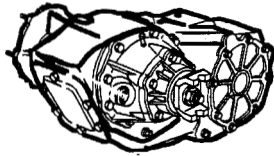
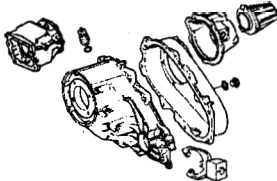
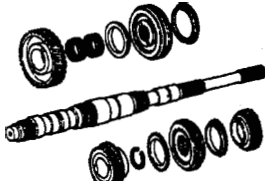
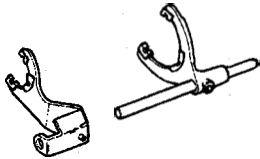



Group - 242

Model 242 Transfer Case



<p>242-100 Transfer Case Assembly</p> 	<p>242-200 Case and Related Parts</p> 	<p>242-400 Gear Train</p> 	<p>242-900 Fork and Rails</p> 
<p>242-1200 Gearshift Controls</p> 			

Group 242 - Model 242 Transfer Case

Transfer Case Assembly	242 100
Transfer Case	Fig. 242-110
Case and Related Parts	242 200
Case and Related PartsFig. 242-210
Gear Train	242 400
Gear Train	Fig. 242-410
Fork and Rails	242 900
Fork and Rails	Fig. 242-910
Gearshift Controls	242 1200
Controls	Fig. 242-1210

JEEP CHEROKEE (LHD) & (RHD) (XJ)

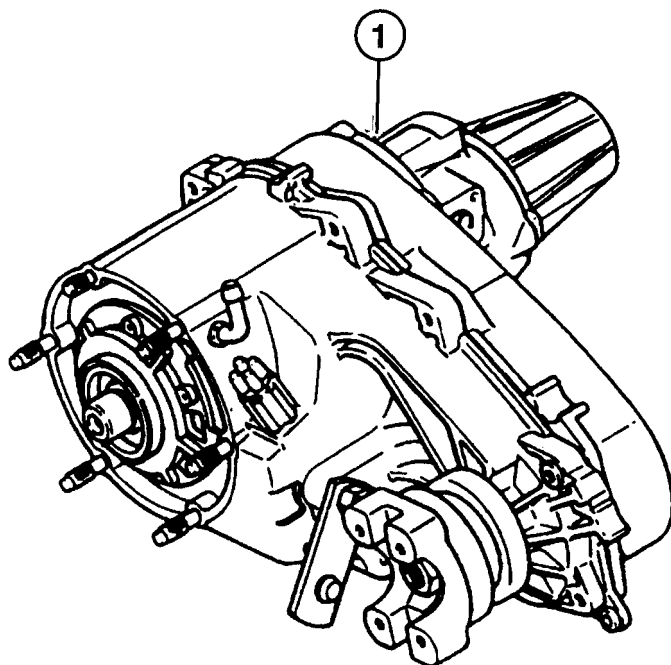
SERIES	LINE	BODY	ENGINE	TRANSMISSION
L=Low Line	J=LHD(4WD) U=RHD(4WD) B=RHD(4x2) T=LHD(4x2)	74=4 Dr. 72=2 Dr.	EN0=2.5L(ENC) Diesel ER0=4.0L(ERH) EP0=2.5L(EPE)	DG0=All Auto/Trans DGW=44RE (DGB) DDQ=5 spd.AISIN DGK=42RE (DGB) DBB=All ManualTrans. DGS=4 spd. Auto. AISIN DGD = 3 spd. Auto (DGA)

Group 242 - Model 242 Transfer Case**JEEP CHEROKEE (LHD) & (RHD) (XJ)**

SERIES	LINE	BODY	ENGINE	TRANSMISSION
L=Low Line	J=LHD(4WD) U=RHD(4WD) B=RHD(4x2) T=LHD(4x2)	74=4 Dr. 72=2 Dr.	EN0=2.5L(ENC) Diesel ER0=4.0L(ERH) EP0=2.5L(EPE)	DG0=All Auto/Trans DGW=44RE (DGB) DDQ=5 spd.AISIN DGK=42RE (DGB) DBB=All Manual Trans. DGS=4 spd. Auto. AISIN DGD = 3 spd. Auto (DGA)

Transfer Case

242-110



ITEM	PART	QTY	LINE	SERIES	ENGINE	TRANS	DESCRIPTION
------	------	-----	------	--------	--------	-------	-------------

Transfer Case

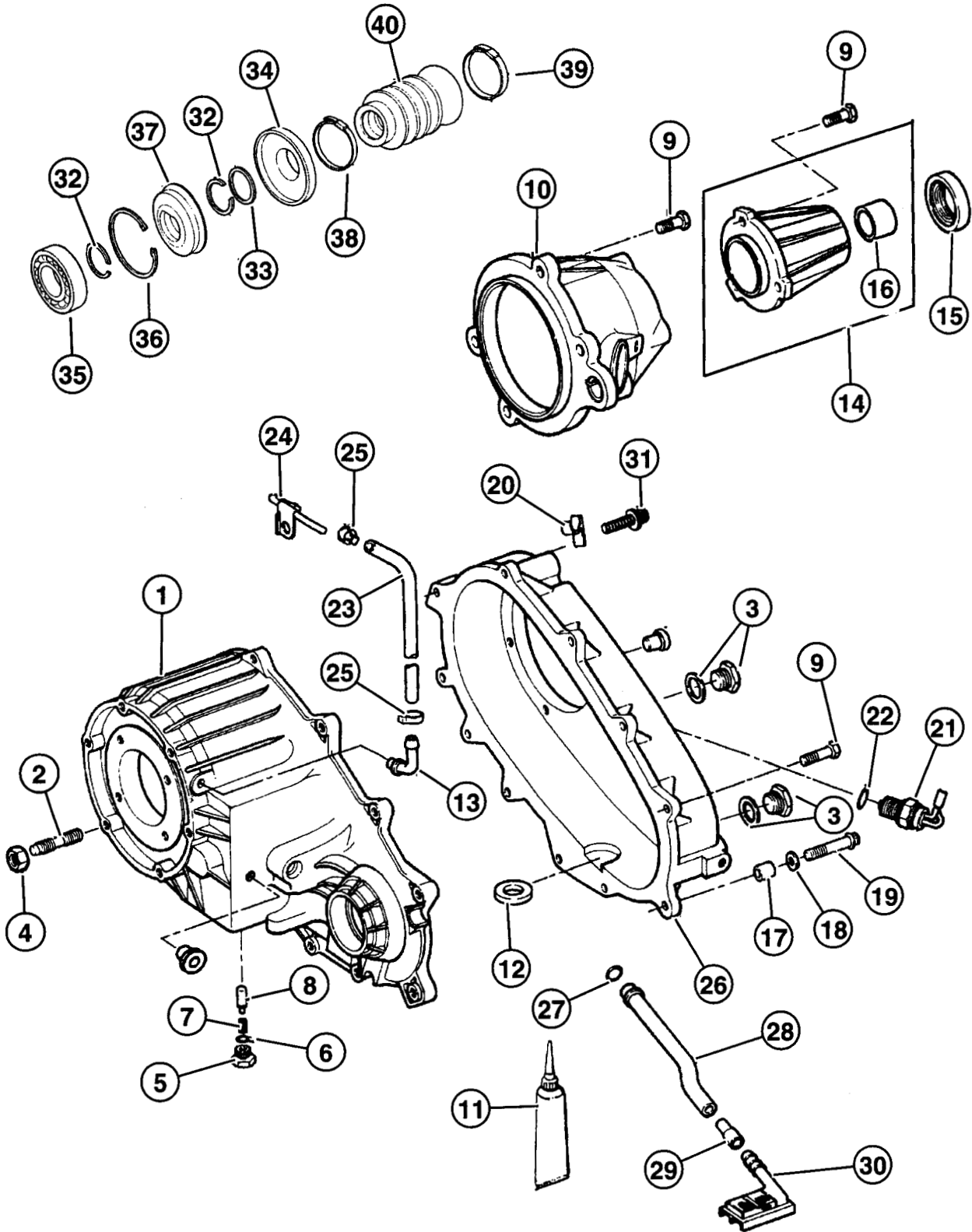
1							TRANSFER CASE, NP242
	5209 8899	1	J, U		ERO	DGO	w/o Export Package (ABE), w/o Police Package (AHB)
	5211 1083	1	J, U		ERO	DGO	w/ Export Package (ABE), w/ Police Package (AHB).

JEEP CHEROKEE (LHD) & (RHD) (XJ)

SERIES	LINE	BODY	ENGINE	TRANSMISSION
L=Low Line	J=LHD(4WD) U=RHD(4WD) B=RHD(4x2) T=LHD(4x2)	74=4 Dr. 72=2 Dr.	EN0=2.5L(ENC) Diesel ER0=4.0L(ERH) EP0=2.5L(EPE)	DG0=All Auto/Trans DGW=44RE (DGB) DDQ=5 spd. AISIN DGK=42RE (DGB) DBB=All Manual Trans. DGS=4 spd. Auto. AISIN DGD= 3 spd. Auto (DGA)

Case and Related Parts

242-210



ITEM	PART	QTY	LINE	SERIES	ENGINE	TRANS	DESCRIPTION
Case and Related Parts							
1							CASE, Transfer Front
	4856 389	1	J, U		ERO	DGO	52098899, 1998 XJ, 1999 XJ
	4856 389	1	J, U		ERO	DGO	52111083, 1998 XJ, 1999 XJ
	4883 336	1	J		ERO	DGO	52111083, 1997 XJ
	4883 336	1	J, U		ERO	DGO	52098899, 1997 XJ
2							STUD, M10x1.54x36
	4505 365	6	J		ERO	DGO	52098899, 1997 XJ
	4505 365	6	J		ERO	DGO	52111083, 1997 XJ
	4505 365	6	J, U		ERO	DGO	52111083, 1998 XJ
	4505 365	6	J, U		ERO	DGO	52098899, 1998 XJ, 1999 XJ
3							PLUG, Oil Fill
	4856 641	2	J		ERO	DGO	1997 XJ
	4856 641	2	J		ERO	DGO	52111083, 1997 XJ
	4856 641	2	J, U		ERO	DGO	52111083, 1998 XJ
	4856 641	2	J, U		ERO	DGO	52098899, 1998 XJ, 1999 XJ
4							NUT AND CONED WASHER, Hex, .375-24
	J400 6681	6	J		ENO, ERO		1997 XJ
	J400 6681	6	J, U		ENO, ERO		1998 XJ, 1999 XJ
5							SCREW
					ERO	DGO	1997 XJ
	4886 473AA	1	J, U		ERO	DGO	52098899, 1998 XJ
	4886 473AA	1	J, U		ERO	DGO	52111083, 1998 XJ
	4086 473AA	1	J, U		ERO	DGO	w/52098899, 1999 XJ
	4886 473AA	1	J, U		ERO	DGO	w/52111083, 1999 XJ
	5300 8216	1	J		ERO	DGO	52111083, 1997 XJ
	5300 8216	1	J, U		ERO	DGO	52111083, 1998 XJ
	5300 8216	1	J, U		ERO	DGO	52098899, 1997 XJ, 1998 XJ
6							SEAL, Vacuum Switch
	4167 963	1	J		ERO	DGO	52111083, 1997 XJ
	4167 963	1	J, U		ERO	DGO	5298899, 1997 XJ
	4167 963	1	J, U		ERO	DGO	52098899, 1998 XJ
	4167 963	1	J, U		ERO	DGO	52111083, 1998 XJ
	4338 956	2	J, U		ERO	DDQ	1999 XJ
	4338 956	2	J, U		ERO	DGO	1999 XJ
7							SPRING, Shift Detent
	4638 497	1	J, U		ERO	DGO	52090899
	4638 497	1	J		ERO	DGO	52111083, 1997 XJ
	4638 497	1	J, U		ERO	DGO	52111083, 1998 XJ, 1999 XJ
8							PLUNGER
	5300 8217	1	J		ERO	DGO	52098899, 1997 XJ
	5300 8217	1	J		ERO	DGO	52111083, 1997 XJ
	5300 8217	1	J, U		ERO	DGO	52098899, 1998 XJ, 1999 XJ
	5300 8217	1	J, U		ERO	DGO	52111083, 1998 XJ, 1999 XJ
9							BOLT, Transfer Case
	4210 617	12	J, U		ERO	DDQ	1999 XJ
	4210 617	12	J, U		ERO	DGO	1999 XJ
	4210 617	8	J		ERO	DGO	52098899, 1997 XJ
	4210 617	12	J		ERO	DGO	52111083, 1997 XJ
	4210 617	8	J, U		ERO	DGO	52111083, 1998 XJ
	4210 617	12	J, U		ERO	DGO	52098899, 1998 XJ
10							RETAINER, Transfer Case Rear

JEEP CHEROKEE (LHD) & (RHD) (XJ)

SERIES	LINE	BODY	ENGINE	TRANSMISSION
L=Low Line	J=LHD(4WD) U=RHD(4WD) B=RHD(4x2) T=LHD(4x2)	74=4 Dr. 72=2 Dr.	ENO=2.5L(ENC) Diesel ERO=4.0L(ERH) EPO=2.5L(EPE)	DG0=All Auto/Trans DGW=44RE (DGB) DDQ=5 spd. AISIN DGK=42RE (DGB) DBB=All Manual Trans. DGS=4 spd. Auto. AISIN DGD= 3 spd. Auto (DGA)

ITEM	PART	QTY	LINE	SERIES	ENGINE	TRANS	DESCRIPTION
Case and Related Parts							
	4856 391	1	J, U	ERO	DGO	520988	
	4856 391	1	J	ERO	DGO	52111083, 1997 XJ	
11	4856 391	1	J, U	ERO	DGO	52111083, 1998 XJ, 1999 XJ	SEALANT, RTV
	4318 025	1	J, U	ERO	DGS	1997 XJ	
	4318 025	1	J, U	ERO	DGO	52098899, 1998 XJ, 1999 XJ	
12	4318 025	1	J, U	ERO	DGO	52111083, 1998 XJ, 1999 XJ	MAGNET, Transmission
	3681 601	1	J	ERO	DGO	52098899 19	
	3681 601	1	J	ERO	DGO	52111083, 1997 XJ	
	3681 601	1	J, U	ERO	DGO	52098899, 1998 XJ, 1999 XJ	
13	3681 601	1	J, U	ERO	DGO	52111083, 1998 XJ, 1999 XJ	VENT, Transfer Case
	4796 910	1	J, U	ERO	DGO	52098899	
	4796 910	1	J	ERO	DGO	52111083, 1997 XJ	
14	4796 910	1	J, U	ERO	DGO	52111083, 1998 XJ, 1999 XJ	EXTENSION Tr
	4338 973	1	J, U	ERO	DGO	52098899	
	4338 973	1	J	ERO	DGO	52111083, 1997 XJ	
15	4338 973	1	J, U	ERO	DGO	52111083, 1998 XJ, 1999 XJ	SEAL, Output
	4798 117	1	J, U	ERO	DGO	52098899	
	4798 117	1	J	ERO	DGO	52111083, 1997 XJ	
16	4798 117	1	J, U	ERO	DGO	52111083, 1998 XJ, 1999 XJ	BUSHING, Extension Housing
	J813 4490	1	J, U	ENO	DDQ	1997 XJ, 1999 XJ	
	J813 4490	1	J, U	ERO	DGO	52098899, 1998 XJ	
17	J813 4490	1	J, U	ERO	DGO	52111083, 1998 XJ	DOWEL, Transfer Case
	4116 310	2	J	ERO	DGO	52111083, 1997 XJ	
	4116 310	2	J, U	ERO	DGO	52098899, 1998 XJ	
	4116 310	1	J, U	ERO	DGO	52098899, 1997 XJ, 1999 XJ	
18	4116 310	2	J, U	ERO	DGO	52111083, 1998 XJ, 1999 XJ	WASHER, Flat
	4210 983	2	J	ERO	DGO	52111083, 1997 XJ	
	4210 983	1	J, U	ERO	DGO	52098899, 1997 XJ	
	8350 3512	1	J, U	ERO	DGO	52098899 1998 XJ 1	
19	8350 3512	1	J, U	ERO	DGO	52111083, 1998 XJ, 1999 XJ	BOLT, Hex Flange Head
	4210 614	2	J	ERO	DGO	52111083, 1997 XJ	
	4210 614	1	J, U	ERO	DGO	52098899, 1997 X	
	4210 614	2	J, U	ERO	DGO	52111083, 1998 XJ	
20	4210 614	2	J, U	ERO	DGO	52098899, 1998 XJ, 1999 XJ	CLIP
	5211 8181	1	J, U	ENO, ERO	DBB	1997 XJ	
	5211 8181	1	J, U	ERO	DGO	52111083, 1998 XJ	
21	5211 8181	1	J, U	ERO	DGO	52098899, 1998 XJ, 1999 XJ	SWITCH, Transfer Case Mode
	5600 6755	1	J	ERO	DGO	1997 XJ	
	5600 6755	1	J, U	ERO	DGO	52098899, 1998 XJ, 1999 XJ	
22	5600 6755	1	J, U	ERO	DGO	52111083, 1998 XJ, 1999 XJ	SEAL, Vacuum Switch

JEEP CHEROKEE (LHD) & (RHD) (XJ)

SERIES	LINE	BODY	ENGINE	TRANSMISSION
L=Low Line	J=LHD(4WD) U=RHD(4WD) B=RHD(4x2) T=LHD(4x2)	74=4 Dr. 72=2 Dr.	ENO=2.5L(ENC) Diesel ERO=4.0L(ERH) EP0=2.5L(EPE)	DGO=All Auto/Trans DGW=44RE (DGB) DDQ=5 spd. AISIN DGK=42RE (DGB) DBB=All Manual Trans. DGS=4 spd. Auto. AISIN DGD = 3 spd. Auto (DGA)

ITEM	PART	QTY	LINE	SERIES	ENGINE	TRANS	DESCRIPTION
Case and Related Parts							
	4338 956	2	J, U		ERO	DDQ	1999 XJ
	4338 956	2	J, U		ERO	DGO	1999 XJ
	4338 956	1	J, U		ERO	DGO	52111083, 1998 XJ
	4338 956	1	J, U		ERO	DGO	52098899, 1997 XJ, 1998 XJ
23	4443 176	1					HOSE, Fuel .31 I.D. 50 Foot Roll
24	5300 7494	1	J, U				VENT. Transfer Case
25	6502 081	2	J, U				CLAMP, Oil Cooler Line
26							CASE, Transfer Case Rear
	4874 298	1	J		ERO	DGO	52111083, 1997 XJ
	4874 298	1	J, U		ERO	DGO	52111083, 1998 XJ
	4874 298	1	J, U		ERO	DGO	52098899, 1997 XJ, 1998 XJ
	4886 373AA	1	J, U		ERO	DGO	w/52098899, 1999 XJ
	4886 373AA	1	J, U		ERO	DGO	w/52111083, 1999 XJ
27							SEAL, Oil
	4338 942	1	J, U		ERO	DGO	52098899
	4338 942	1	J		ERO	DGO	52111083, 1997 XJ
	4338 942	1	J, U		ERO	DGO	52111083, 1998 XJ, 1999 XJ
28							TUBE, Oil Pickup
	8350 3523	1	J, U		ERO	DGO	52098899
	0350 3523	1	J		ERO	DGO	52111083, 1997 XJ
	8350 3523	1	J, U		ERO	DGO	52111083, 1998 XJ, 1999 XJ
29							CONNECTOR, Oil Tube Pickup
	4338 944	1	J, U		ERO	DGO	52098899
	4338 944	1	J		ERO	DGO	52111083, 1997 XJ
	4338 944	1	J, U		ERO	DGO	52111083, 1998 XJ, 1999 XJ
30							FILTER, Transfer Case Oil
	4338 943	1	J, U		ERO	DGO	52098899
	4338 943	1	J		ERO	DGO	52111083, 1997 XJ
	4338 943	1	J, U		ERO	DGO	52111083, 1998 XJ, 1999 XJ
31							BOLT, Twelve Point Head, M10x1.5x48
	J813 0979	1	J		ERO	DGO	52111083, 1997 XJ
	J813 0979	1	J, U		ERO	DGO	52111083, 1998 XJ
	J813 0979	1	J, U		ERO	DGO	w/52098899, 1999 XJ
	J813 0979	1	J, U		ERO	DGO	w/52111083, 1999 XJ
	J813 0979	1	J, U		ERO	DGO	52098899, 1997 XJ, 1998 XJ
32							SNAP RING
	J813 4488	1	J		ERO	DGO	52098899, 1997 XJ
	J813 4488	2	J		ERO	DGO	52111083, 1997 XJ
	J813 4488	1	J, U		ERO	DGO	52098899, 1997 XJ
	J813 4488	2	J, U		ERO	DGO	52111083, 1998 XJ
					ERO	DGO	2, 1, 1
33							WASHER
	4798 118	1	J, U		ERO	DGO	52098899
	4798 118	1	J		ERO	DGO	52111083, 1997 XJ
	4798 118	1	J, U		ERO	DGO	52111083, 1998 XJ, 1999 XJ
34							SLINGER, Oil
	4798 119	1	J, U		ERO	DGO	52098899
	4798 119	1	J		ERO	DGO	52111083, 1997 XJ
	479 119	1	J, U		ERO	DGO	52111083, 1998 XJ, 1999 XJ
35							BEARING
	4338 892	1	J, U		ERO	DGO	52098899
	4330 892	1	J		ERO	DGO	52111083, 1997 XJ

JEEP CHEROKEE (LHD) & (RHD) (XJ)

SERIES	LINE	BODY	ENGINE	TRANSMISSION
L=Low Line	J=LHD(4WD) U=RHD(4WD) B=RHD(4x2) T=LHD(4x2)	74=4 Dr. 72=2 Dr.	EN0=2.5L(ENC) Diesel ER0=4.0L(ERH) EP0=2.5L(EPE)	DG0=All Auto/Trans DGW=44RE (DGB) DDQ=5 spd.AISIN DGK=42RE (DGB) DBB=All Manual Trans. DGS=4 spd. Auto. AISIN DGD = 3 spd. Auto (DGA)

ITEM	PART	QTY	LINE	SERIES	ENGINE	TRANS	DESCRIPTION
Case and Related Parts							
	4338 892	2	J, U		ER0	DG0	52111083, 1998 XJ
36							SNAP RING
	4798 116	1	J, U		ER0	DG0	52098899
	4798 116	1	J		ER0	DG0	52111083, 1997 XJ
	4798 116	1	J, U		ER0	DG0	52111083, 1998 XJ, 1999 XJ
37							SEAL, Output
	4798 117	1	J, U		ER0	DG0	52098899
	4798 117	1	J		ER0	DG0	52111083, 1997 XJ
	4798 117	1	J, U		ER0	DG0	52111083, 1998 XJ, 1999 XJ
38							CLAMP, Boot
	4798 121	1	J, U		ER0	DG0	52098899
	4798 121	1	J		ER0	DG0	52111083, 1997 XJ
	4798 121	1	J, U		ER0	DG0	52111083, 1998 XJ, 1999 XJ
39							CLAMP, Boot
	4798 122	1	J, U		ER0	DG0	52098899
	4798 122	1	J		ER0	DG0	52111083, 1997 XJ
	4798 122	1	J, U		ER0	DG0	52111083, 1998 XJ, 1999 XJ
40							BOOT, Driveshaft
	4798 123	1	J, U		ER0	DG0	52098899
	4798 123	1	J		ER0	DG0	52111083, 1997 XJ
	4798 123	1	J, U		ER0	DG0	52111083, 1998 XJ, 1999 XJ

JEEP CHEROKEE (LHD) & (RHD) (XJ)

SERIES	LINE	BODY	ENGINE	TRANSMISSION
L=Low Line	J=LHD(4WD) U=RHD(4WD) B=RHD(4x2) T=LHD(4x2)	74=4 Dr. 72=2 Dr.	EN0=2.5L(ENC) Diesel ER0=4.0L(ERH) EP0=2.5L(EPE)	DG0=All Auto/Trans DGW=44RE (DGB) DDQ=5 spd. AISIN DGK=42RE (DGB) DBB=All Manual Trans. DGS=4 spd. Auto. AISIN DGD= 3 spd. Auto (DGA)

ITEM	PART	QTY	LINE	SERIES	ENGINE	TRANS	DESCRIPTION
------	------	-----	------	--------	--------	-------	-------------

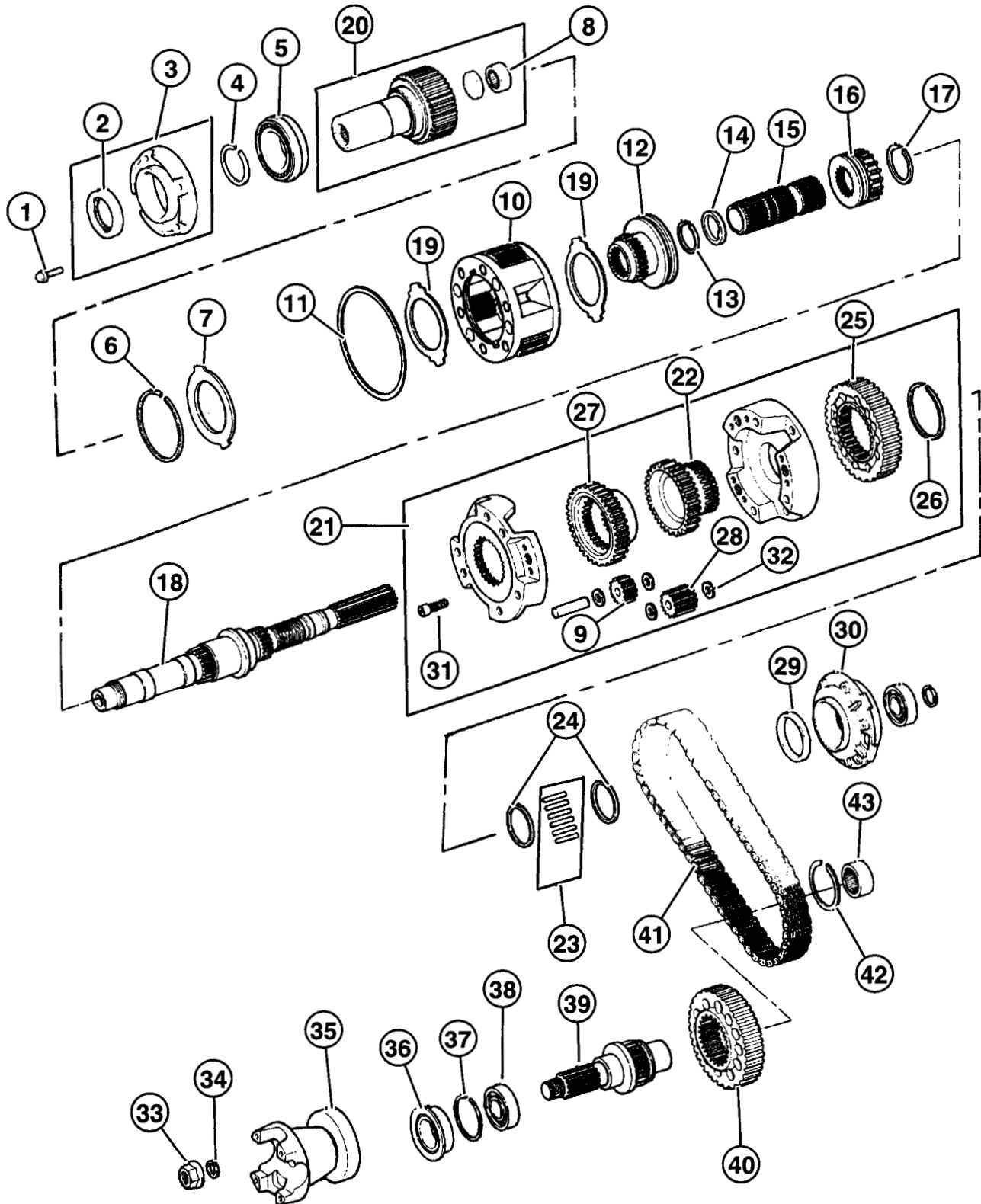
Case and Related Parts

JEEP CHEROKEE (LHD) & (RHD) (XJ)

SERIES	LINE	BODY	ENGINE	TRANSMISSION
L=Low Line	J=LHD(4WD) U=RHD(4WD) B=RHD(4x2) T=LHD(4x2)	74=4 Dr. 72=2 Dr.	EN0=2.5L(ENC) Diesel ER0=4.0L(ERH) EP0=2.5L(EPE)	DG0=All Auto/Trans DGW=44RE (DGB) DDQ=5 spd. AISIN DGK=42RE (DGB) DBB=All Manual Trans. DGS=4 spd. Auto. AISIN DGD= 3 spd. Auto (DGA)

Gear Train

242-410



ITEM	PART	QTY	LINE	SERIES	ENGINE	TRANS	DESCRIPTION
Gear Train							
1							BOLT
	6500 318	4	J, U	ERO	DGO		52098899
	6500 318	4	J	ERO	DGO		52098899, 1997 XJ
	6500 318	4	J	ERO	DGO		52111083, 1997 XJ
	6500 318	4	J, U	ERO	DGO		52111083, 1997 XJ, 1998 XJ
2							SEAL, Input Gear
	4167 929	1	J, U	ERO	DGO		52098899
	4167 929	1	J	ERO	DGO		52111083, 1997 XJ
	4167 929	1	J, U	ERO	DGO		52111083, 1998 XJ, 1999 XJ
3							EXTENSION, Transfer Case
	4338 973	1	J, U	ERO	DGO		52098899
	4338 973	1	J	ERO	DGO		52111083, 1997 XJ
	4338 973	1	J, U	ERO	DGO		52111083, 1998 XJ, 1999 XJ
4							SNAP RING
	3821 558	1	J	ERO	DGO		52111083, 1997 XJ
	3821 558	1	J, U	EPO	DDQ		52098899, 1997 XJ, 1999 XJ
	3821 558	1	J, U	ERO	DGO		52098899, 1997 XJ, 1999 XJ
	3821 558	1	J, U	ERO	DGO		52111083, 1998 XJ, 1999 XJ
5							BEARING, Input Gear
	4746 155	1	J, U	ERO	DGO		52098899
	4746 155	1	J	ERO	DGO		52111083, 1997 XJ
	4746 155	1	J, U	ERO	DGO		52111083, 1998 XJ, 1999 XJ
6							SNAP RING
	4338 910	1	J, U	ERO	DGO		52098899
	4338 910	1	J	ERO	DGO		52111083, 1997 XJ
	4338 910	1	J, U	ERO	DGO		52111083, 1998 XJ, 1999 XJ
7							RING
	4338 909	1	J, U	ERO	DGO		52098899
	4338 909	1	J	ERO	DGO		52111083, 1997 XJ
	4338 909	1	J, U	ERO	DGO		52111083, 1998 XJ, 1999 XJ
8							BEARING, Input Shaft
	8350 3507	1	J, U	ERO	DGO		52098899
	8350 3507	1	J	ERO	DGO		52111083, 1997 XJ
	8350 3507	1	J, U	ERO	DGO		52111083, 1998 XJ, 1999 XJ
9							GEAR, Planetary
	8350 4170	3	J, U	ERO			1999 XJ
	8350 4170	3	J, U	ERO	DGO		1999 XJ
	8350 4170	3	J	ERO	DGO		52111083, 1997 XJ
	8350 4170	3	J, U	ERO	DGO		52111083, 1998 XJ
	8350 4170	1	J, U	ERO	DGO		52098899, 1997 XJ, 1998 XJ
10							GEAR, Low Range Planetary
	4796 903	1	J, U	ERO	DGO		52098899
	4796 903	1	J	ERO	DGO		52111083, 1997 XJ
	4796 903	1	J, U	ERO	DGO		52111083, 1998 XJ, 1999 XJ
11							SNAP RING, Annulus Gear
	4219 065	1	J, U	ERO	DGO		52098899
	4219 065	1	J	ERO	DGO		52111083, 1997 XJ
	4219 065	1	J, U	ERO	DGO		52111083, 1998 XJ, 1999 XJ
12							SLEEVE, Shift Range
	4798 279	1	J, U	ERO	DGO		52098899
	4798 279	1	J	ERO	DGO		52111083, 1997 XJ

JEEP CHEROKEE (LHD) & (RHD) (XJ)

SERIES	LINE	BODY	ENGINE	TRANSMISSION
L=Low Line	J=LHD(4WD) U=RHD(4WD) B=RHD(4x2) T=LHD(4x2)	74=4 Dr. 72=2 Dr.	EN0=2.5L(ENC) Diesel ER0=4.0L(ERH) EP0=2.5L(EPE)	DG0=All Auto/Trans DGW=44RE (DGB) DDQ=5 spd. AISIN DGK=42RE (DGB) DBB=All Manual Trans. DGS=4 spd. Auto. AISIN DGD = 3 spd. Auto (DGA)

ITEM	PART	QTY	LINE	SERIES	ENGINE	TRANS	DESCRIPTION
Gear Train							
	4798 279	1	J, U		ERO	DGO	52111083, 1998 XJ, 1999 XJ
13							SNAP RING
	8350 3540	1	J, U		ERO	DGO	52098899
	8350 3540	1	J		ERO	DGO	52111083, 1997 XJ
	8350 3540	1	J, U		E		52111083, 1998 XJ, 1999 XJ
14							WASHER, Intermediate Sleeve
	8350 3539	1	J, U		ERO	DGO	52098899
	8350 3539	1	J		ERO	DGO	52111083, 1997 XJ
	8350 3539	1	J, U		ERO	DGO	52111083, 1998 XJ, 1999 XJ
15							SHAFT, Intermediate
	4798 277	1	J, U		ERO	DGO	52098899
	4798 277	1	J		ERO	DGO	52111083, 1997 XJ
	4798 277	1	J, U		ERO	DGO	52111083, 1998 XJ, 1999 XJ
16							SLEEVE, Mode Synchronizer
	8350 3542	1	J, U		ERO	DGO	52098899
	8350 3542	1	J		ERO	DGO	52111083, 1997 XJ
	8350 3542	1	J, U		ERO	DGO	52111083, 1998 XJ, 1999 XJ
17							SNAP RING
	8350 3537	1	J, U		ERO	DGO	52098899
	8350 3537	1	J		ERO	DGO	52111083, 1997 XJ
	8350 3537	1	J, U		ERO	DGO	52111083, 1998 XJ, 1999 XJ
18							MAINSHAFT, Transfer Case
	4798 145	1	J, U		ERO	DGO	52098899
	4798 145	1	J		ERO	DGO	52111083, 1997 XJ
	4798 145	1	J, U		ERO	DGO	52111083, 1998 XJ, 1999 XJ
19							THRUST WASHER, Planetary Carrier
	4338 908	2	J		ERO	DGO	52111083, 1997 XJ
	4338 908	1	J, U		ERO	DGO	52098899, 1997 XJ
	4338 908	2	J, U		ERO	DGO	52111083, 1998 XJ
	4338 908	2	J, U		ERO	DGO	52098899, 1998 XJ, 1999 XJ
20							GEAR, Input
	4798 126	1	J, U		ERO	DGO	52098899
	4798 126	1	J		ERO	DGO	52111083, 1997 XJ
	4798 126	1	J, U		ERO	DGO	52111083, 1998 XJ, 1999 XJ
21							CARRIER, Differential
	8350 3529	1	J, U		ERO	DGO	52098899
	8350 3529	1	J		ERO	DGO	52111083, 1997 XJ
	8350 3529	1	J, U		ERO	DGO	52111083, 1998 XJ, 1999 XJ
22							SPROCKET, Transfer Case
	8350 3530	1	J, U		ERO	DGO	52098899
	8350 3530	1	J		ERO	DGO	52111083, 1997 XJ
	8350 3530	1	J, U		ERO	DGO	52111083, 1998 XJ, 1999 XJ
23							BEARING PACKAGE, Transfer Case
	8350 3543	1	J, U		ERO	DGO	52098899
	8350 3543	1	J		ERO	DGO	52111083, 1997 XJ
	8350 3543	1	J, U		ERO	DGO	52111083, 1998 XJ, 1999 XJ
24							SPACER, Sprocket
	8350 3533	1	J		ERO	DGO	52111083, 1997 XJ
	8350 3533	2	J		ERO	DGO	52098899, 1997 XJ
	8350 3533	1	J, U		ERO	DGO	52111083, 1998 XJ
	8350 3533	2	J, U		ERO	DGO	52098899, 1998 XJ, 1999 XJ
25							SPROCKET, Transfer Case

JEEP CHEROKEE (LHD) & (RHD) (XJ)

SERIES	LINE	BODY	ENGINE	TRANSMISSION
L=Low Line	J=LHD(4WD) U=RHD(4WD) B=RHD(4x2) T=LHD(4x2)	74=4 Dr. 72=2 Dr.	EN0=2.5L(ENC) Diesel ER0=4.0L(ERH) EP0=2.5L(EPE)	DG0=All Auto/Trans DGW=44RE (DGB) DDQ=5 spd. AISIN DGK=42RE (DGB) DBB=All Manual Trans. DGS=4 spd. Auto. AISIN DGD = 3 spd. Auto (DGA)

ITEM	PART	QTY	LINE	SERIES	ENGINE	TRANS	DESCRIPTION
Gear Train							
	8350 3531	1	J, U		ERO	DGO	52098899
	8350 3531	1	J		ERO	DGO	52111083, 1997 XJ
	8350 3531	1	J, U		ERO	DGO	52111083, 1998 XJ, 1999 XJ
26							SNAP RING
	8350 3532	1	J		ERO	DGO	52098899, 1997 XJ
	8350 3532	2	J		ERO	DGO	52111083, 1997 XJ
	8350 3532	2	J, U		ERO	DGO	52111083, 1998 XJ
	8350 3532	1	J, U		ERO	DGO	52098899, 1998 XJ, 1999 XJ
27							SPROCKET, Differential
	8350 3536	1	J		ERO	DGO	52098899, 1997 XJ
	8350 3536	1	J		ERO	DGO	52111083, 1997 XJ
	8350 3536	1	J, U		ERO	DGO	52098899, 1998 XJ, 1999 XJ
	8350 3536	1	J, U		ERO	DGO	52111083, 1998 XJ, 1999 XJ
28							GEAR, Planetary
	8350 4169	1	J		ERO	DGO	52098899, 1997 XJ
	8350 4169	3	J		ERO	DGO	52111083, 1997 XJ
	8350 4169	1	J, U		ERO	DGO	52098899, 1998 XJ
	8350 4169	3	J, U		ERO	DGO	52111083, 1998 XJ, 1999 XJ
29							SEAL, Main Shaft
	4210 603	1	J		ERO	DGO	52098899, 1997 XJ
	4210 603	1	J		ERO	DGO	52111083, 1997 XJ
	4210 603	1	J, U		ERO	DGO	52098899, 1998 XJ, 1999 XJ
	4210 603	1	J, U		ERO	DGO	52111083; 1998 XJ, 1999 XJ
30							PUMP, Transfer Case Oil
	4338 936	1	J		ERO	DGO	52111083, 1997 XJ
	4338 936	1	J, U		ERO	DGO	52098899, 1998 XJ
	4338 936	1	J, U		ERO	DGO	52098899, 1997 XJ, 1999 XJ
	4338 936	1	J, U		ERO	DGO	52111083, 1998 XJ, 1999 XJ
31							SCREW
	3820 898	3	J		ERO	DGO	52098899, 1997 XJ
	3820 898	3	J		ERO	DGO	52111083, 1997 XJ
	3820 898	3	J, U		ERO	DGO	52098899, 1998 XJ
	3820 898	3	J, U		ERO	DGO	52111083, 1998 XJ
	3820 898	3	J, U		ERO	DGO	w/52098899, 1999 XJ
	3820 898	3	J, U		ERO	DGO	w/52111083, 1999 XJ
32							WASHER, Differential Gear
	8350 4168	12	J		ERO	DGO	52098899, 1997 XJ
	8350 4168	12	J		ERO	DGO	52111083, 1997 XJ
	8350 4168	1	J, U		ERO	DGO	52098899; 1998 XJ
	8350 4168	12	J, U		ERO	DGO	52111083, 1998 XJ, 1999 XJ
33							NUT, Transfer Case Yoke
	4167 924	1	J		ERO	DGO	52098899, 1997 XJ
	4167 924	1	J		ERO	DGO	52111083, 1997 XJ
	4167 924	1	J, U		ERO	DGO	52098899, 1998 XJ, 1999 XJ
	4167 924	1	J, U		ERO	DGO	52111083, 1998 XJ, 1999 XJ
34							WASHER, Transfer Case Yoke
	4210 973	1	J, U		ERO	DGO	52098899
	4210 973	1	J, U		ERO	DGO	52111083
35							YOKE, Transfer Case
	4798 138	1	J		ERO	DGO	52098899, 1997 XJ
	4798 138	1	J		ERO	DGO	52111083, 1997 XJ
	4798 138	1	J, U		ERO	DGO	52098899, 1998 XJ, 1999 XJ

JEEP CHEROKEE (LHD) & (RHD) (XJ)

SERIES	LINE	BODY	ENGINE	TRANSMISSION
L=Low Line	J=LHD(4WD) U=RHD(4WD) B=RHD(4x2) T=LHD(4x2)	74=4 Dr. 72=2 Dr.	EN0=2.5L(ENC) Diesel ER0=4.0L(ERH) EP0=2.5L(EPE)	DG0=All Auto/Trans DGW=44RE (DGB) DDQ=5 spd. AISIN DGK=42RE (DGB) DBB=All Manual Trans. DGS=4 spd. Auto. AISIN DGD= 3 spd. Auto (DGA)

ITEM	PART	QTY	LINE	SERIES	ENGINE	TRANS	DESCRIPTION
Gear Train							
	4798 138	1	J, U	ERO	DG0		52111083, 1998 XJ, 1999 XJ
36							SEAL, Output Shaft
	4798 125	1	J	ERO	DGO		52098899, 1997 XJ
	4798 125	1	J	ERO	DGO		52111083, 1997 XJ
	4798 125	1	J, U	ERO	DGO		52098899, 1998 XJ, 1999 XJ
	4798 125	1	J, U	ERO	DGO		52111083, 1998 XJ, 1999 XJ
37							SNAP RING
	0893 31A	1	J	ERO	DGO		52098899, 1997 XJ
	0893 31A	1	J	ERO	DGO		52111083, 1997 XJ
	0893 31A	1	J, U	ERO	DGO		52098899, 1998 XJ, 1999 XJ
	0893 31A	1	J, U	ERO	DGO		52111083, 1998 XJ, 1999 XJ
38							BEARING, Output Shaft
	4269 189	1	J, U	ERO	DGO		52098899, 1998 XJ, 1999 XJ
	4269 189	1	J, U	ERO	DGO		52111083, 1998 XJ, 1999 XJ
	4338 321	1	J	ERO	DGO		52098899, 1997 XJ
	4338 321	1	J	ERO	DGO		52111083, 1997 XJ
39							OUTPUT SHAFT, Transfer Case
	8350 3517	1	J	ERO	DGO		52111083, 1997 XJ
	8350 3517	1	J, U	ERO	DGO		52098899, 1998 XJ
	8350 3517	1	J, U	ERO	DGO		52098999, 1997 XJ, 1999 XJ
	8350 3517	1	J, U	ERO	DGO		52111083, 1998 XJ, 1999 XJ
40							SPROCKET, Transfer Case
	8350 3518	1	J	ERO	DGO		52111083, 1997 XJ
	8350 3518	1	J, U	ERO	DGO		52098899, 1998 XJ
	8350 3518	1	J, U	ERO	DGO		52098999, 1997 XJ, 1999 XJ
	8350 3518	1	J, U	ERO	DGO		52111083, 1998 XJ, 1999 XJ
41							CHAIN, Transfer Case
	4638 890	1	J, U	ERO	DGO		52111083
	8350 4575	1	J, U	ERO	DGO		52098899, 1998 XJ
	8350 4575	1	J, U	ERO	DGO		52098999, 1997 XJ, 1999 XJ
42							SNAP RING, Bearing
	4167 991	1	J	ERO	DGO		1997 XJ
	4167 991	1	J, U	ERO	DGO		1997 XJ, 1999 XJ
	4167 991	1	J, U	ERO	DGO		52098899, 1998 XJ
	4167 991	1	J, U	ERO	DGO		52111083, 1998 XJ, 1999 XJ
43							BEARING, Output Shaft
	4269 189	1	J	ERO	DGO		52098899, 1997 XJ
	4269 189	1	J	ERO	DGO		52111083, 1997 XJ
	4269 189	1	J, U	ERO	DGO		52098899, 1998 XJ, 1999 XJ
	4269 189	1	J, U	ERO	DGO		52111083, 1998 XJ, 1999 XJ

JEEP CHEROKEE (LHD) & (RHD) (XJ)

SERIES	LINE	BODY	ENGINE	TRANSMISSION
L=Low Line	J=LHD(4WD) U=RHD(4WD) B=RHD(4x2) T=LHD(4x2)	74=4 Dr. 72=2 Dr.	EN0=2.5L(ENC) Diesel ER0=4.0L(ERH) EP0=2.5L(EPE)	DG0=All Auto/Trans DGW=44RE (DGB) DDQ=5 spd. AISIN DGK=42RE (DGB) DBB=All Manual Trans. DGS=4 spd. Auto. AISIN DGD = 3 spd. Auto (DGA)

ITEM	PART	QTY	LINE	SERIES	ENGINE	TRANS	DESCRIPTION
------	------	-----	------	--------	--------	-------	-------------

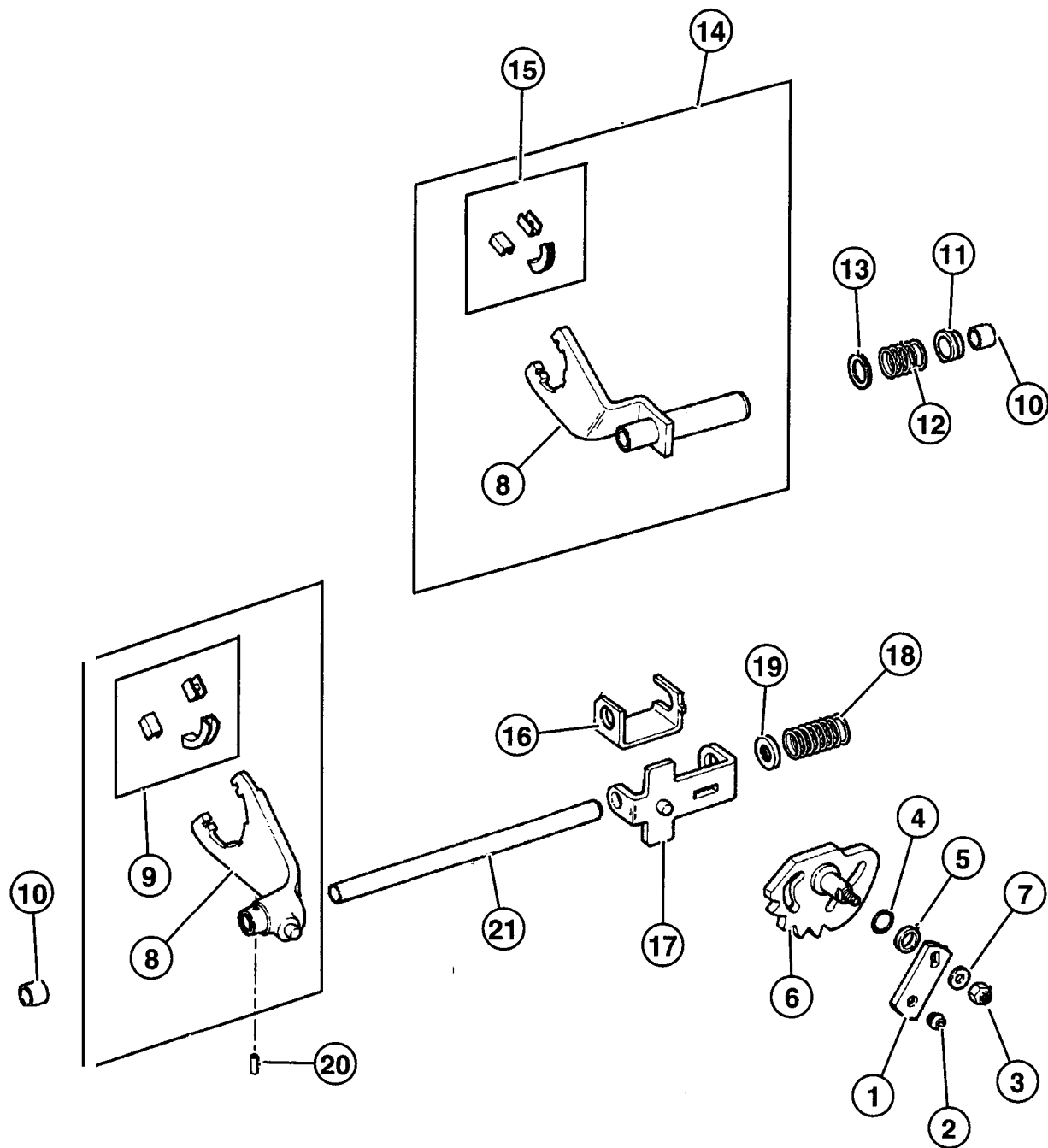
Gear Train

JEEP CHEROKEE (LHD) & (RHD) (XJ)

SERIES	LINE	BODY	ENGINE	TRANSMISSION
L=Low Line	J=LHD(4WD) U=RHD(4WD) B=RHD(4x2) T=LHD(4x2)	74=4 Dr. 72=2 Dr.	EN0=2.5L(ENC) Diesel ER0=4.0L(ERH) EP0=2.5L(EPE)	DG0=All Auto/Trans DGW=44RE (DGB) DDQ=5 spd. AISIN DGK=42RE (DGB) DBB=All Manual Trans. DGS=4 spd. Auto. AISIN DGD= 3 spd. Auto (DGA)

Fork and Rails

242-910



ITEM	PART	QTY	LINE	SERIES	ENGINE	TRANS	DESCRIPTION
Fork and Rails							
1							LEVER, Transfer Case
	5300 4227	1	J, U	ERO	DGO		52098899
	5300 4227	1	J	ERO	DGO		52111083,1997 XJ
	5300 4227	1	J, U	ERO	DGO		52111083 1998 XJ, 1999 XJ
2							BUSHING, Shift Lever
	5300 4810	1	J	ERO	DGO		52098899,1997 XJ
	5300 4810	1	J	ERO	DGO		52111083,1997 XJ
	5300 4810	1	J, U	ERO	DGO		52098899 1998 XJ, 1999 XJ
	5300 4810	1	J, U	ERO	DGO		52111083, 1998 XJ, 1999 XJ
3							NUT, .375-24
	0152 345	1	J	ERO	DGO		52098899,1997 XJ
	0152 345	1	J	ERO	DGO		52111083' 1997 XJ
	0152 345	1	J, U	ERO	DGO		52098899, 1998 XJ, 1999 XJ
	0152 345	1	J, U	ERO	DGO		52111083,1998 XJ, 1999 XJ
4							SEAL, O-Ring
	4167 963	1	J	ERO	DGO		52111083, 1997 XJ
	4167 963	2	J, U	ERO	DGO		52098899, 1998 XJ
	4167 963	1	J, U	ERO	DGO		52098899,1997 XJ, 1999 XJ
	4167 963	1	J, U	ERO	DGO		52111083,1998 XJ, 1999 XJ
5							RETAINER, Rear Clutch
	4167 964	1	J, U	ERO	DGO		52098899
	4167 964	1	J	ERO	DGO		52111083,1997 XJ
	4167 964	1	J, U	ERO	DGO		52111083,1998 XJ, 1999 XJ
6							SECTOR Transfer Case
	4638 949	1	J, U	ERO	DGO		52098899
	4638 949	1	J	ERO	DGO		52111083,1997 XJ
	4638 949	1	J, U	ERO	DGO		52111083,1998 XJ, 1999 XJ
7							WASHER, NOT SERVICED
8							FORK, Range
	5003 459AA	1	J	ERO	DGO		52111083,1997 XJ
	5003 459AA	1	J, U	ERO	DGO		52111083,1998 XJ
	5003 459AA	1	J, U	ERO	DGO		52098899 1997 XJ, 1998 XJ
	8350 3508	1	J, U	ERO	DGO		52098899, 1999 XJ
	8350 3508	1	J, U	ERO	DGO		52111083, 1999 XJ
9							PAD, Shift Fork
	4167 969	4	J	ERO	DGO		52111083, 1997 XJ
	4167 969	4	J, U	ERO	DGO		52111083, 1998 XJ
	4167 969	2	J, U	ERO	DGO		52098899,1997 XJ, 1998 XJ
	4167 970	1	J	ERO	DGO		52098899,1997 XJ
	4167 970	1	J	ERO	DGO		52111083, 1997 XJ
	4167 970	1	J, U	ERO	DGO		52098899, 1998 XJ, 1999 XJ
	4167 970	1	J, U	ERO	DGO		5211108311998 XJ, 1999 XJ
10							BUSHING, Shift Fork
	J813 4291	1	J, U	ERO	DGO		52098899
	J813 4291	1	J	ERO	DGO		52111083, 1997 XJ
	J813 4291	1	J, U	ERO	DGO		52111083,1998 XJ, 1999 XJ
11							BUSHING, Shift Rail
	4338 945	2	J	ERO	DGO		52111083,1997 XJ
	4338 945	2	J, U	ERO	DGO		52111083, 1998 XJ
	4338 945	1	J, U	ERO	DGO		52098899,1997 XJ, 1998 XJ
	8350 3514	1	J, U	ERO	DGO		52098899,1999 XJ

JEEP CHEROKEE (LHD) & (RHD) (XJ)

SERIES	LINE	BODY	ENGINE	TRANSMISSION
L=Low Line	J=LHD(4WD) U=RHD(4WD) B=RHD(4x2) T=LHD(4x2)	74=4 Dr. 72=2 Dr.	EN0=2.5L(ENC) Diesel ER0=4.0L(ERH) EP0=2.5L(EPE)	DG0=All Auto/Trans DGW=44RE (DGB) DDQ=5 spd.AISIN DGK=42RE (DGB) DBB=All ManualTrans. DGS=4 spd. Auto. AISIN DGD = 3 spd. Auto (DGA)

ITEM	PART	QTY	LINE	SERIES	ENGINE	TRANS	DESCRIPTION
Fork and Rails							
	8350 3514	1	J, U		ERO	DGO	52111083, 1999 XJ
12							SPRING, Mode Shift Fork
	8350 3513	1	J, U		ERO	DGO	52098899
	8350 3513	1	J		ERO	DGO	52111083, 1997 XJ
	8350 3513	1	J, U		ERO	DGO	52111083, 1998 XJ, 1999 XJ
13							WASHER, Flat
	8350 3512	1	J, U		ERO	DGO	52098899
	8350 3512	1	J		ERO	DGO	52111083, 1997 XJ
	8350 3512	1	J, U		ERO	DGO	52111083, 1998 XJ, 1999 XJ
14							FORK, Transfer Case Mode Shift
	4638 950	1	J		ERO	DGO	52111083, 1997 XJ
	4638 950	1	J, U		ERO	DGO	52111083, 1998 XJ
	4638 950	1	J, U		ERO	DGO	w/52098899 1999 XJ
	4638 950	1	J, U		ERO	DGO	w/52111083, 1999 XJ
	4638 950	1	J, U		ERO	DGO	52098899, 1997 XJ, 1998 XJ
15							PAD, Shift Fork
	4167 969	4	J		ERO	DGO	52111083, 1997 XJ
	4167 969	2	J, U		ERO	DGO	52098899, 1997 XJ
	4167 969	4	J, U		ERO	DGO	52111083, 1998 XJ
	4167 969	2	J, U		ENO	DDQ	52098899, 1998 XJ, 1999 XJ
	4167 970	1	J, U		ERO	DGO	52098899
	4167 970	1	J		ERO	DGO	52111083, 1997 XJ
	4167 970	1	J, U		ERO	DGO	52111083, 1998 XJ, 1999 XJ
16							BRACKET, Shift Mode
	8350 3510	1	J, U		ERO	DGO	52098899
	8350 3510	1	J		ERO	DGO	52111083, 1997 XJ
	8350 3510	1	J, U		ERO	DGO	52111083, 1998 XJ, 1999 XJ
17							BRACKET, Shift Mode
	8350 3511	1	J, U		ERO	DGO	52098899
	8350 3511	1	J		ERO	DGO	52111083, 1997 XJ
	8350 3511	1	J, U		ERO	DGO	52111083, 1998 XJ, 1999 XJ
18							SPRING, Mode Shift Fork
	8350 3516	1	J		ERO	DGO	52111083, 1997 XJ
	8350 3516	1	J, U		ERO	DGO	52098899, 1997 XJ, 1998 XJ
	8350 3516	1	J, U		ERO	DGO	52111083, 1998 XJ, 1999 XJ
19							CUP, Shift Fork Spring
	8350 3515	1	J		ERO	DGO	52111083, 1997 XJ
	8350 3515	1	J, U		ERO	DGO	52098899, 1997 XJ, 1998 XJ
	8350 3515	1	J, U		ERO	DGO	52111083, 1998 XJ, 1999 XJ
20							PIN, Shift Fork
	1664 355	1	J, U		ERO	DGO	52098899
	1664 355	1	J		ERO	DGO	52111083, 1997 XJ
	1664 355	1	J, U		ERO	DGO	52111083, 1998 XJ, 1999 XJ
21							RAIL, Transfer Case
	8350 4469	1	J, U		ERO	DGO	52098899
	8350 4469	1	J		ERO	DGO	52111083, 1997 XJ
	8350 4469	1	J, U		ERO	DGO	52111083, 1998 XJ, 1999 XJ

JEEP CHEROKEE (LHD) & (RHD) (XJ)

SERIES	LINE	BODY	ENGINE	TRANSMISSION
L=Low Line	J=LHD(4WD) U=RHD(4WD) B=RHD(4x2) T=LHD(4x2)	74=4 Dr. 72=2 Dr.	EN0=2.5L(ENC) Diesel ER0=4.0L(ERH) EP0=2.5L(EPE)	DG0=All Auto/Trans DGW=44RE (DGB) DDQ=5 spd. AISIN DGK=42RE (DGB) DBB=All Manual Trans. DGS=4 spd. Auto. AISIN DGD = 3 spd. Auto (DGA)

ITEM	PART	QTY	LINE	SERIES	ENGINE	TRANS	DESCRIPTION
------	------	-----	------	--------	--------	-------	-------------

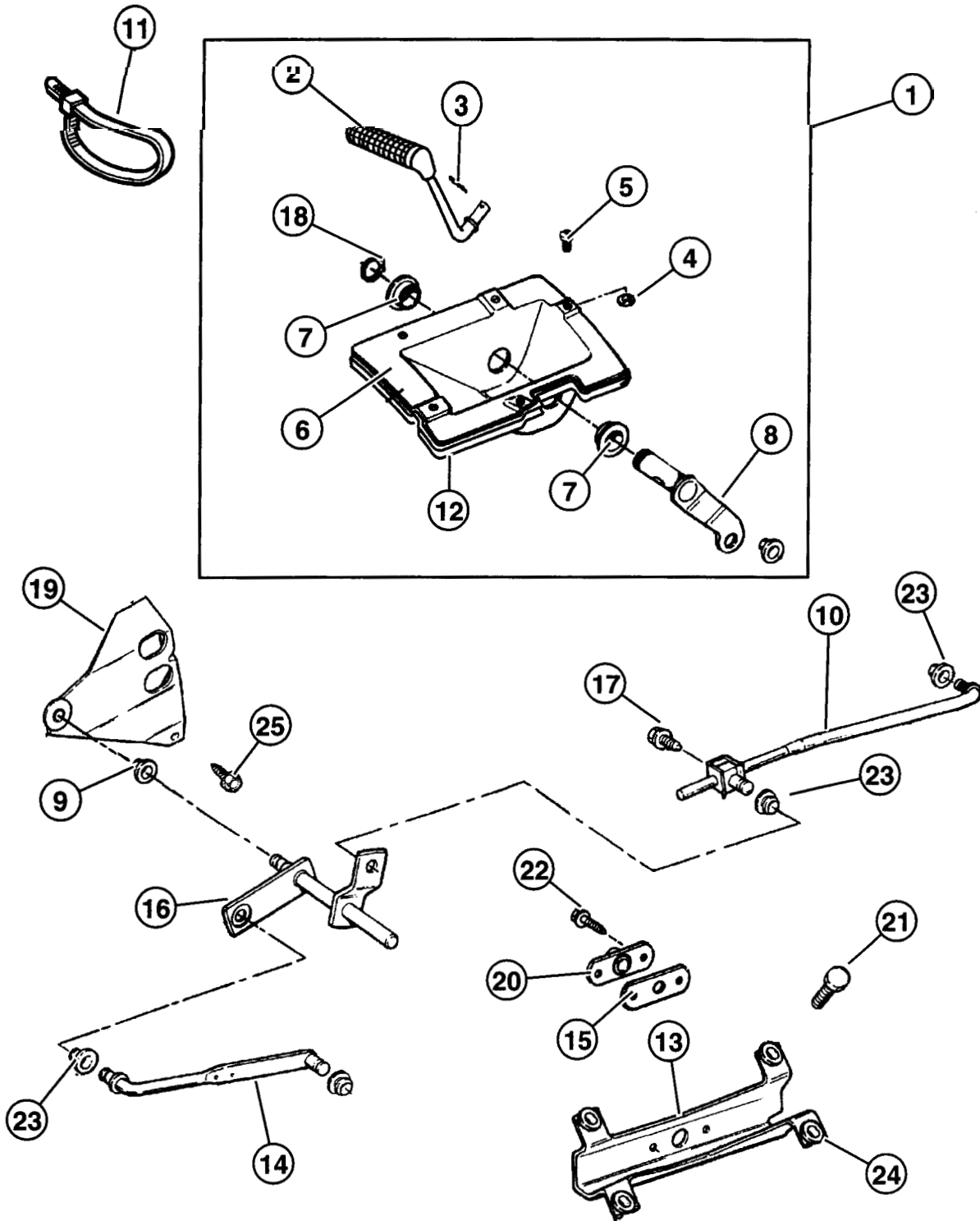
Fork and Rails

JEEP CHEROKEE (LHD) & (RHD) (XJ)

SERIES	LINE	BODY	ENGINE	TRANSMISSION
L=Low Line	J=LHD(4WD) U=RHD(4WD) B=RHD(4x2) T=LHD(4x2)	74=4 Dr. 72=2 Dr.	EN0=2.5L(ENC) Diesel ER0=4.0L(ERH) EP0=2.5L(EPE)	DG0=All Auto/Trans DGW=44RE (DGB) DDQ=5 spd. AISIN DGK=42RE (DGB) DBB=All Manual Trans. DGS=4 spd. Auto. AISIN DGD = 3 spd. Auto (DGA)

Controls

242-1210



ITEM	PART	QTY	LINE	SERIES	ENGINE	TRANS	DESCRIPTION
Controls							
1							SHIFTER, Transfer Case
	5210 4102	1	J			DGO	1997 XJ, 1998 XJ
	5210 4103	1	U			DGO	1997 XJ, 1998 XJ
	52104 102AB	1	J			DGO	1999 XJ
	52104 103AB	1	U			DGO	1999 XJ
2							LEVER, Transfer Case Shifter
	5207 9256	1	J			DGO	
	5207 9256	1	U			DGO	
3							PIN, Cotter
	J400 6723	1	J			DGO	
	J400 6723	1	U			DGO	
4							NUT, Push, M5
	5207 7650	1	U			DGO	1997 XJ, 1998 XJ
	5300 0809	1	J			DGO	1997 XJ, 1998 XJ
	6100 839	2	J			DGO	1999 XJ
	6100 839	2	U			DGO	1999 XJ
5							FASTENER, Push On
	5207 7671	1	J			DGO	1997 XJ, 1999 XJ
	5207 7671	1	U			DGO	1997 XJ, 1999 XJ
	5207 7671	1	J			DGO	52104102, 1998 XJ
	5207 7671	1	U			DGO	52104103, 1998 XJ
6							HOUSING, Shift Lever
	5300 1284	1	J			DGO	
	5300 1284	1	U			DGO	
7							BUSHING, Shift Control
	5300 0639	2	J			DGO	
	5300 0639	2	U			DGO	1997 XJ
	5300 0639	2	U			DGO	1999 XJ
8							LEVER, Transfer Case
	5300 5150	1	J			DGO	
	5300 5150	1	U			DGO	
9							BUSHING, Shift Lever
	5300 4810	1	J	ENC	DBB		52078605, 1997 XJ
	5300 4810	1	J, U	ERO	DGO		52098899, 1999 XJ
	5300 4810	1	J, U	ERO	DGO		52111083, 1999 XJ
	5300 4810	1	J, U	EPO			53005069, 1997 XJ, 1998 XJ
	5300 4810	1	J, U	ERO	DDQ		52077574, 1997 XJ, 1998 XJ
	5300 4810	1	J, U	ERO	DGO		53005071, 1997 XJ, 1998 XJ
10							ROD, Gear Shift Control, Transfer Case
	5210 4073			ERO	DGO		
	5210 4073	1	J	ENC	DBB		1997 XJ
	5210 4073	1	J, U	EPO			1997 XJ, 1998 XJ
11							STRAP, Retaining
	J369 3058	1	J			DGO	1997 XJ, 1999 XJ
	J369 3058	1	U			DGO	1997 XJ, 1999 XJ
	J369 3058	1	J			DGO	52104102, 1998 XJ
	J369 3058	1	U			DGO	521041030., 1998 XJ
12							BOOT, Transfer Case Lever
	5210 4019	1	J			DGO	
	5210 4019	1	U			DGO	
13							BRACKET, Torque Shaft

JEEP CHEROKEE (LHD) & (RHD) (XJ)

SERIES	LINE	BODY	ENGINE	TRANSMISSION
L=Low Line	J=LHD(4WD) U=RHD(4WD) B=RHD(4x2) T=LHD(4x2)	74=4 Dr. 72=2 Dr.	EN0=2.5L(ENC) Diesel ER0=4.0L(ERH) EPO=2.5L(EPE)	DG0=All Auto/Trans DGW=44RE (DGB) DDQ=5 spd. AISIN DGK=42RE (DGB) DBB=All Manual Trans. DGS=4 spd. Auto. AISIN DGD= 3 spd. Auto (DGA)

ITEM	PART	QTY	LINE	SERIES	ENGINE	TRANS	DESCRIPTION
Controls							
	5210 4017	1	J, U		EPO		1997 XJ, 1998 XJ
	5210 4017	1	J, U		ERO	DGO	1997 XJ, 1998 XJ
	5210 4018	1	J, U		ENC, ERO	DDQ	1997 XJ, 1998 XJ
	52104 017AB	1	J, U		ERO	DGO	1999 XJ
14							ROD, Gear Shift Control Transfer Case
	5210 4121	1	J, U		ENC		1997 XJ, 1998 XJ
	5210 4122	1	J, U		ERO	DBB	
	5300 4941	1	J, U		EPO		1997 XJ, 1998 XJ
	5300 4943	1	J, U		ERO	DGO	
15							GASKET, Gearshift Control Rod
	5300 5154	1	J, U		ERO	DGO	
	5300 5154	1	J, U		EPO		1997 XJ, 1998 XJ
	5300 5154	1	J, U		ENC, ERO	DDQ	1997 XJ, 1998 XJ
16							TORQUE SHAFT, Transfer Case
	5300 5151	1	J, U		EPO		1997 XJ, 1998 XJ
	5300 5151	1	J, U		ERO	DGO	1997 XJ, 1998 XJ
	5300 5151	1	J, U		ERO	DGO	53005151, 1999 XJ
	5300 5552	1	J, U		ERO	DDQ	53005552, 1999 XJ
17	J400 6036	1	J, U				BOLT, Hex Head, .312-18x.50
18							SNAP RING
	1150 5389	1	J			DGO	1997 XJ, 1999 XJ
	1150 5389	1	U			DGO	1997 XJ, 1999 XJ
	1150 5389	1	J			DGO	52104102, 1998 XJ
	1150 5389	1	U			DGO	52104103, 1998 XJ
19							BRACKET, Torque Shaft
	5207 7574	1	J, U		ERO	DDQ	1997 XJ, 1998 XJ
	5207 8605	1	J, U		ENC	DBB	1997 XJ, 1998 XJ
	5300 5069	1	J, U		EPO		1997 XJ, 1998 XJ
	5300 5071	1	J, U		ERO	DGO	1997 XJ, 1998 XJ
	53005 071AB	1	J, U		ERO	DGO	1999 XJ
20							BEARING, Transfer Case Shift
	5207 8134	1	J, U		ERO	DGO	
	5207 8134	1	J, U		EPO		1997 XJ, 1998 XJ
	5207 8134	1	J, U		ENC, ERO	DDQ	1997 XJ, 1998 XJ
21	6503 811	4	J, U				BOLT, Hex Head, M6x1.00x20.00
22							SCREW, Hex Head, M6.3x1.81x20.00
	3420 1381	2	J, U		ERO	DGO	1999 XJ
	3420 1691	2	J, U		ERO	DGO	1997 XJ
	3420 1691	2	J, U		ENC, ERO	DDQ	1997 XJ
23							GROMMET, Control Rod Front
	3575 333	2	J, U		ERO	DDQ	1999 XJ
	3575 333	2	J, U		ERO	DGO	1999 XJ
	3575 333	AR	J			DGO	1997 XJ, 1998 XJ
	3575 333	AR	U			DGO	1997 XJ, 1998 XJ
24							GROMMET
	5210 4014	4	J		EPO		1997 XJ
	5210 4014	4	J		ERO	DGO	1997 XJ
	5210 4014	1	J, U		ERO	DGO	1999 XJ
	5210 4014	4	J		ENC, ERO	DDQ	1997 XJ
	5210 4014	4	J, U		EPO		52104017, 1998 XJ
	5210 4014	4	J, U		ERO	DGO	52104017, 1998 XJ
	5210 4014	4	J, U		ENC, ERO	DDQ	52104018, 1998 XJ

JEEP CHEROKEE (LHD) & (RHD) (XJ)

SERIES	LINE	BODY	ENGINE	TRANSMISSION
L=Low Line	J=LHD(4WD) U=RHD(4WD) B=RHD(4x2) T=LHD(4x2)	74=4 Dr. 72=2 Dr.	EN0=2.5L(ENC) Diesel ER0=4.0L(ERH) EP0=2.5L(EPE)	DG0=All Auto/Trans DGW=44RE (DGB) DDQ=5 spd. AISIN DGK=42RE (DGB) DBB=All Manual Trans. DGS=4 spd. Auto. AISIN DGD = 3 spd. Auto (DGA)

ITEM	PART	QTY	LINE	SERIES	ENGINE	TRANS	DESCRIPTION
------	------	-----	------	--------	--------	-------	-------------

Controls

25	11504336	1	J, U		ERO	DGO	BOLT, Hex Head, M8x1.25x16, 1997 XJ, 1999XJ
----	----------	---	------	--	-----	-----	---

JEEP CHEROKEE (LHD) & (RHD) (XJ)

SERIES	LINE	BODY	ENGINE	TRANSMISSION
L=Low Line	J=LHD(4WD) U=RHD(4WD) B=RHD(4x2) T=LHD(4x2)	74=4 Dr. 72=2 Dr.	EN0=2.5L(ENC) Diesel ER0=4.0L(ERH) EP0=2.5L(EPE)	DG0=All Auto/Trans DGW=44RE (DGB) DDQ=5 spd. AISIN DGK=42RE (DGB) DBB=All Manual Trans. DGS=4 spd. Auto. AISIN DGD = 3 spd. Auto (DGA)

ITEM	PART	QTY	LINE	SERIES	ENGINE	TRANS	DESCRIPTION
------	------	-----	------	--------	--------	-------	-------------

Controls

JEEP CHEROKEE (LHD) & (RHD) (XJ)

SERIES	LINE	BODY	ENGINE	TRANSMISSION
L=Low Line	J=LHD(4WD) U=RHD(4WD) B=RHD(4x2) T=LHD(4x2)	74=4 Dr. 72=2 Dr.	EN0=2.5L(ENC) Diesel ER0=4.0L(ERH) EP0=2.5L(EPE)	DG0=All Auto/Trans DGW=44RE (DGB) DDQ=5 spd. AISIN DGK=42RE (DGB) DBB=All Manual Trans. DGS=4 spd. Auto. AISIN DGD= 3 spd. Auto (DGA)