

VIN PLATE DECODING INFORMATION

| | | | | | | | | | | | |
|---------|------|--------------|-------|------|--------|------------|--------|-------------|------------|-------------|--------------|
| 1 | 2 | 3 | 4 | 5 | 6 | 7 | 8 | 9 | 10 | 11 | 12 thru 17 |
| Country | Make | Vehicle Type | Other | Line | Series | Body Style | Engine | Check Digit | Model Year | Assy. Plant | Sequence No. |

The following table interprets the VIN Plate position shown above.

| Position | Interpretation | Codes = Description |
|------------|------------------------|--|
| 1 | Country of Origin | 1 = United States |
| 2 | Assembler | J = Jeep |
| 3 | Vehicle Type | 4 = Multipurpose Vehicle |
| 4 | GVWR & Pass. Safety | D = 0-1360 kg (0-3000 lbs) E = 1362 - 1814 kg (3001 - 4000 lbs) E = 1362 - 1814 kg (3001 - 4000 lbs) F = 1815 - 2267 kg (4001 - 5000 lbs) G = 2268 - 2721 kg (5001 - 6000 lbs) H = 2722 - 3175 kg (6000 - 7000 lbs) J = 3176 - 3628 kg (7001 - 8000 lbs) K = 3629 - 4082 kg (8001 - 9000 lbs) L = 4083 - 4535 kg (9001 - 10,000 lbs) M = 4536 - 6350 kg (10,001 - 14,000 lbs) |
| 5 | Vehicle Line | X = Grand Cherokee 4x2 (LHD) Z = Grand Cherokee 4x4 (LHD) |
| 6 | Series | 5 = Laredo 7 = Limited 8 = Limited (with 5.9L) |
| 7 | Body Style | 8 = 4 Door Sport Utility |
| 8 | Engine | Y = 5.2L Gas (ELF) Z = 5.9L Gas (EML) S = 4.0L Gas (ERH) |
| 9 | Check Digit | 0 = Check Digit |
| 10 | Model Year | V = 1997 |
| 11 | Assembly Plant | C = Jefferson North |
| 12 thru 17 | Vehicle Build Sequence | Model Year Assembly Sequence |

Group - 2

Front Suspension & Drive

Group - 2 Front Suspension & Drive

Illustration Title

Group-Fig. No.

Front Suspension

Suspension,Front,Springs,Shocks,Control Arms Fig. 2 - 110
 Bar,Front Stabilizer Bar Fig. 2 - 120
 Bar,Front Track Fig. 2 - 130

Front Axle Drive Shafts

Shafts,Front Axle Fig. 2 - 210

Front Axle Housing

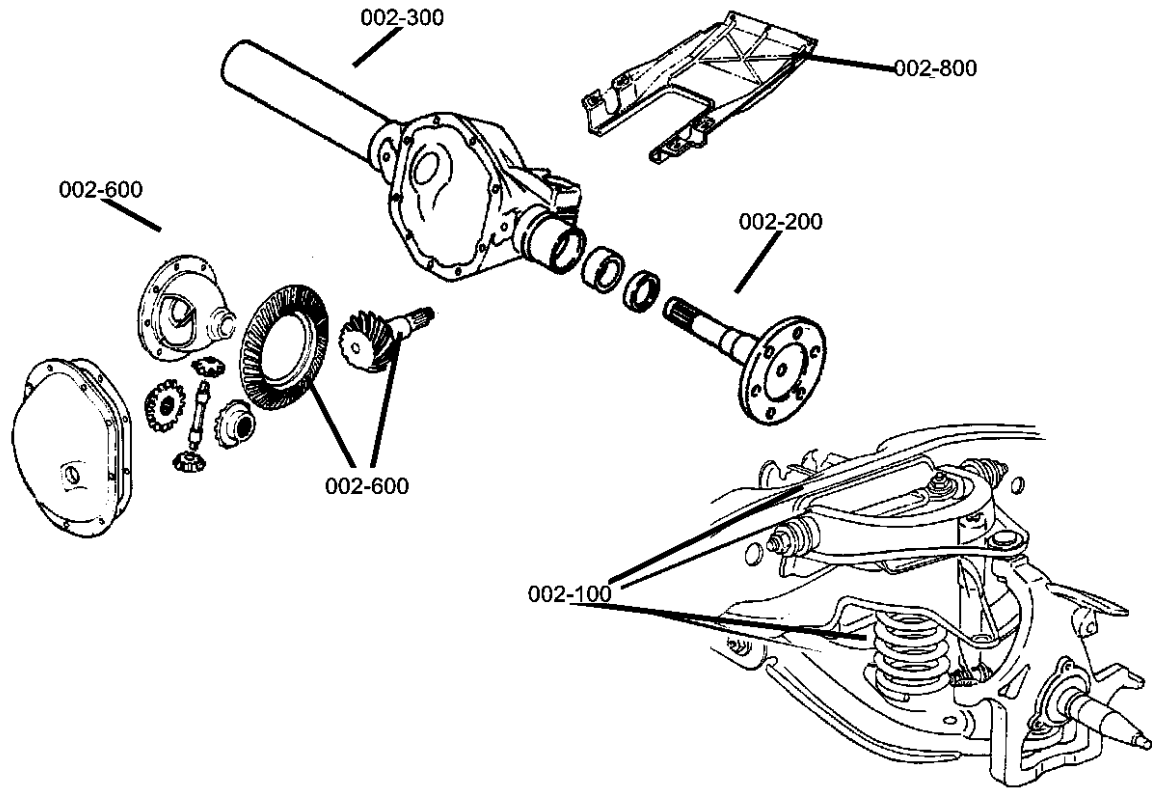
Housing,Front Axle 2 Wheel Drive Fig. 2 - 310
 Housing,Front Axle 4 Wheel Drive Fig. 2 - 320

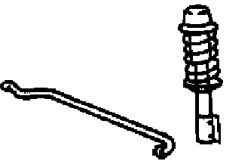

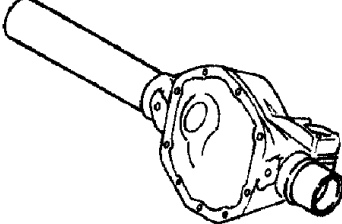
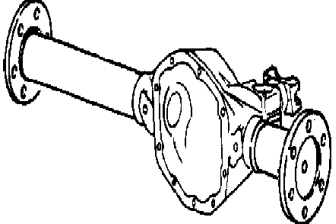
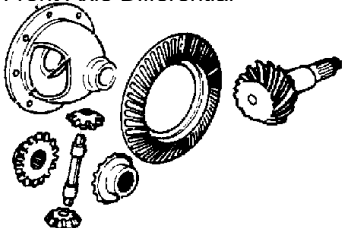
Front Axle Assembly

Axle Assembly,Front Fig. 2 - 410

Front Axle Differential

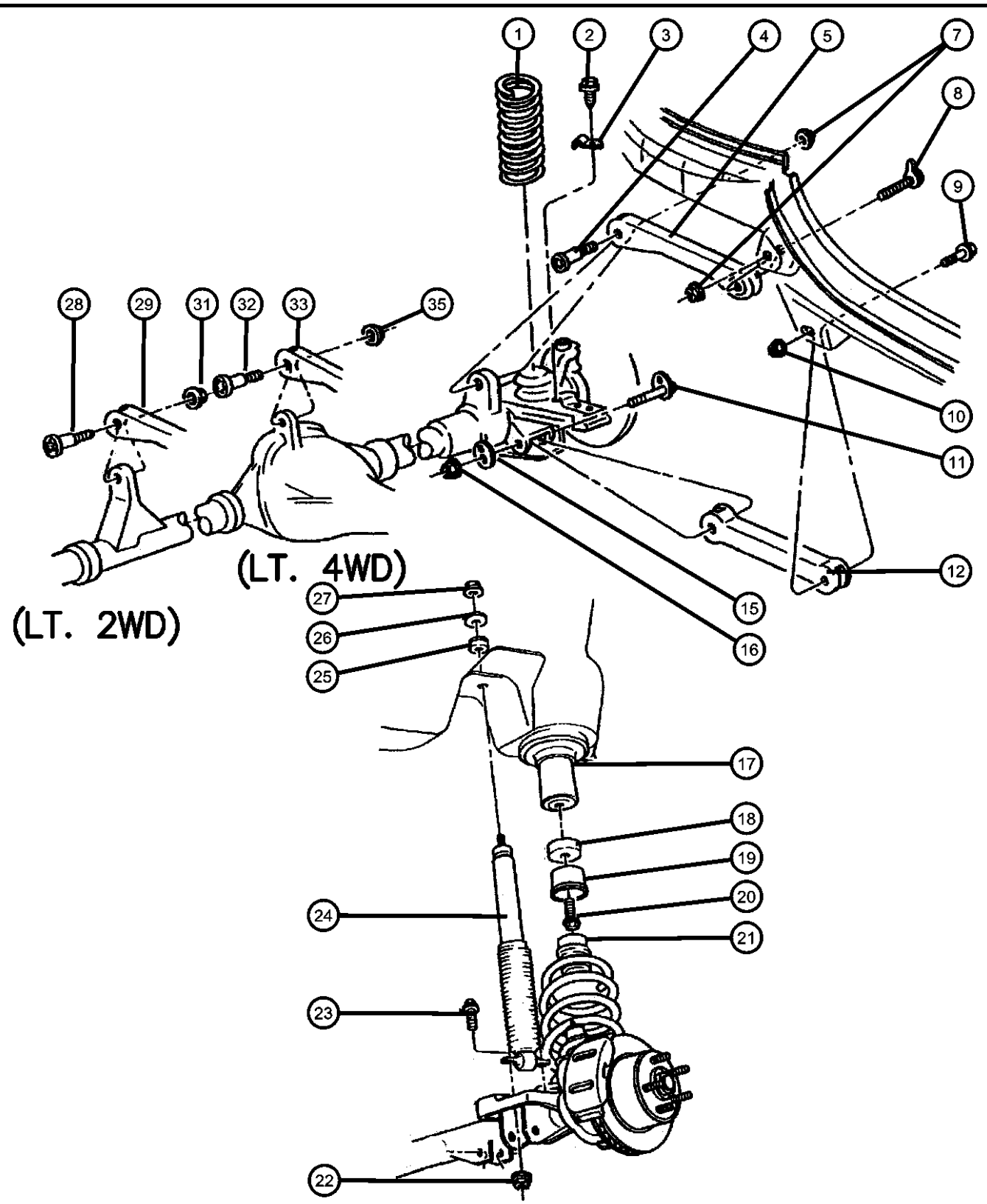
Differential,Front,Internal Parts Fig. 2 - 610



| | | | |
|--|---|---|---|
| <p>002-100 Front Suspension</p>  | <p>002-200 Front Axle Drive Shafts</p>  | <p>002-300 Front Axle Housing</p>  | <p>002-400 Front Axle Assembly</p>  |
| <p>002-600 Front Axle Differential</p>  | | | |

Suspension,Front,Springs,Shocks,Control Arms

Figure 2-110



| ITEM | PART NUMBER | QTY | LINE | SERIES | BODY | ENGINE | TRANS | TRIM | DESCRIPTION |
|------|-------------|-----|------|--------|------|--------|-------|------|-------------|
|------|-------------|-----|------|--------|------|--------|-------|------|-------------|

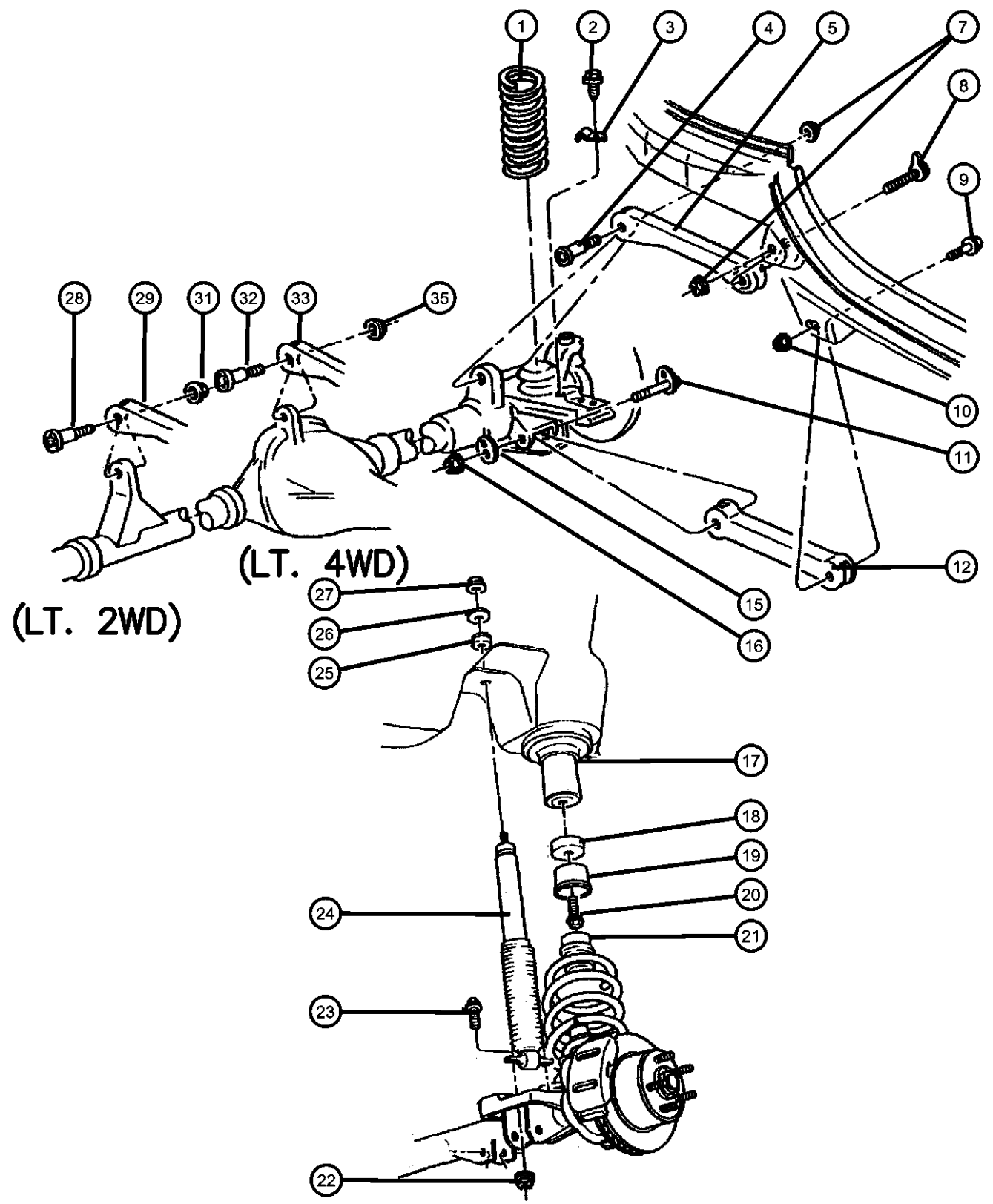
Note:UCA=Upper Control Arm—LCA=Lower Control Arm—SDA=Normal Duty Suspension—SDU=High Pressure Gas Charged Shocks—ER0=4

| | | | | | | | | | |
|----|----------|---|---|--|----|--|--|--|--|
| 1 | | | | | | | | | SPRING, Front Coil |
| | 52088102 | 1 | | | | | | | [ZFJ,ZUJ] |
| | 52088103 | 1 | | | | | | | [ZFK,ZUK] |
| | 52088104 | 1 | | | | | | | [ZGK,ZVK] |
| | 52088105 | 1 | | | | | | | [ZGL,ZVL] |
| | 52088181 | 1 | | | | | | | [ZFL,ZUL] |
| | 52088362 | 1 | | | | | | | [ZFN,ZUN] |
| | 52088363 | 1 | | | | | | | [ZGN,ZVN] |
| | 52089141 | 1 | | | | | | | [ZGP,ZVP] |
| | 52088361 | 1 | | | | | | | [ZFM,ZUM] |
| 2 | 06502468 | 2 | | | | | | | SCREW, Hex Flange Head, M8x1.25x20, Coil Spring Retainer BRACKET, Spring |
| 3 | | | | | | | | | Coil Spring Retainer, Right |
| | 52088114 | 1 | | | | | | | Coil Spring Retainer, Left |
| | 52005917 | 1 | | | | | | | |
| 4 | | | | | | | | | SCREW, Truss Head, M10x1.5x75 |
| | 06502469 | 2 | J | | 74 | | | | UCA to Front Axle Mounting |
| | | 2 | T | | 74 | | | | UCA to Front Axle Mounting |
| 5 | | | | | | | | | ARM, Control |
| | 52087711 | 2 | J | | 74 | | | | Upper |
| | | 2 | T | | 74 | | | | Upper |
| -6 | | | | | | | | | BUSHING, Control Arm |
| | 52087852 | 1 | T | | | | | | Upper |
| | | 1 | J | | | | | | Upper |
| 7 | 06502696 | 4 | | | | | | | NUT, Hex Flange Lock, M14x1.50, UCA to Front Axle and Sill Mounting |
| 8 | | | | | | | | | BOLT, Hex Flange Head, M10x1.50x78.20 |
| | 06503085 | 2 | J | | 74 | | | | UCA to Sill Mounting |
| | | 2 | T | | 74 | | | | UCA to Sill Mounting |
| 9 | | | | | | | | | BOLT, Hex Flange Head |
| | 06502963 | 2 | J | | 74 | | | | LCA to Sill Mounting |
| | | 2 | T | | 74 | | | | LCA to Sill Mounting |
| 10 | 06502696 | 4 | | | | | | | NUT, Hex Flange Lock, M14x1.50, LCA to Sill Mounting |

| GRAND CHEROKEE (ZJ) | | BODY | ENGINE | TRANSMISSION |
|---------------------|----------------------------------|-------------------------|--|--|
| SERIES | LINE | 74 = SPORT UTILITY 4-DR | ELF = 5.2L V8 MPI Engine EML = 5.9L V8 MPI Engine ERH = 4.0L Power Tech I-6 Engine | DGK = 4-Spd. Automatic 42RE Transmission DGW = 4-Spd. Automatic 4RE Transmission DG0 = Transmissions - All Automatic |
| L = LOWLINE | T = JEEP - 2WD J = JEEP - 4WD | | | |

AR = use ase required - = Non illustrated part

Suspension,Front,Springs,Shocks,Control Arms
Figure 2-110

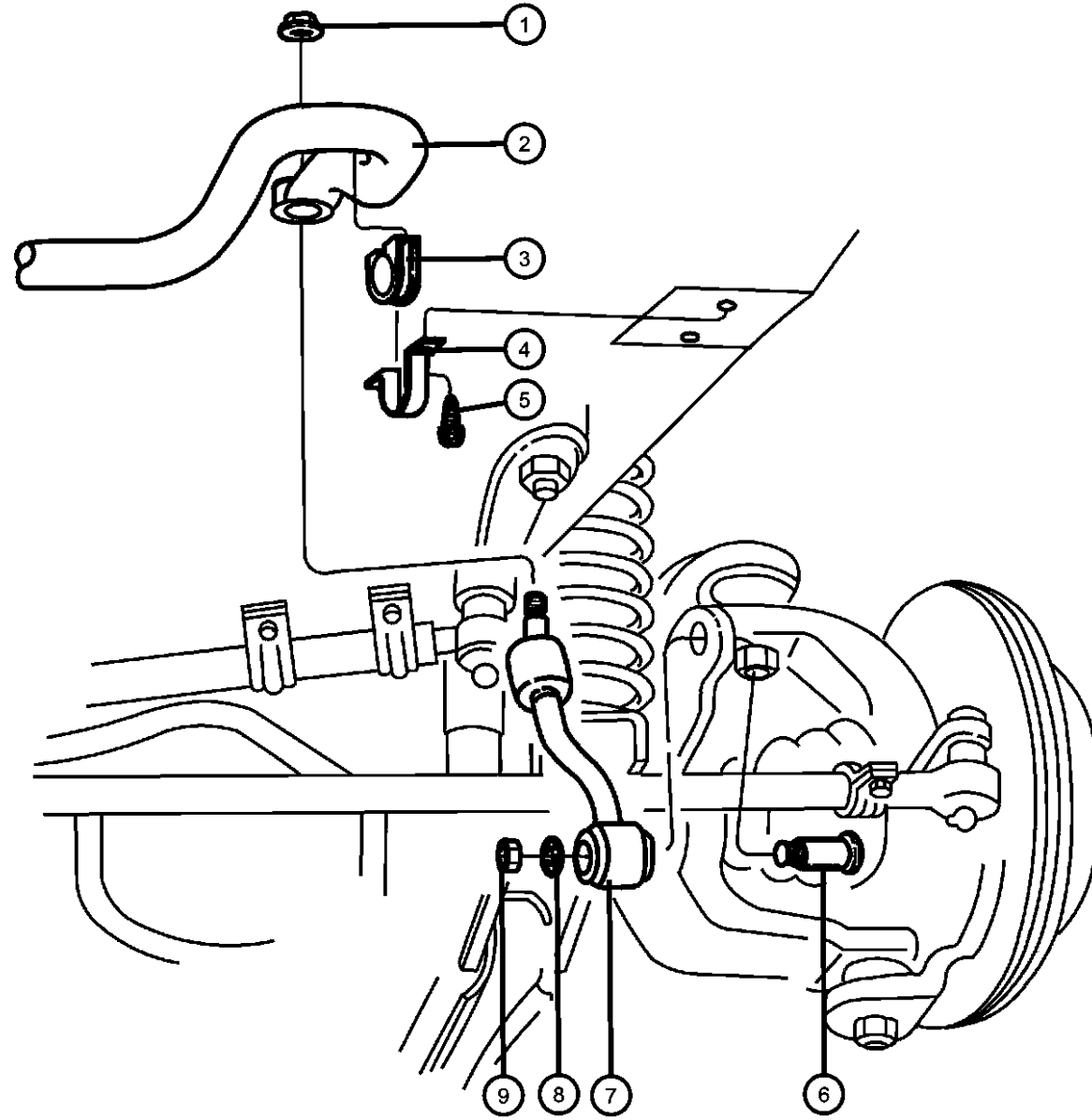


| ITEM | PART NUMBER | QTY | LINE | SERIES | BODY | ENGINE | TRANS | TRIM | DESCRIPTION |
|------|-------------|-----|------|--------|------|--------|-------|------|---|
| 11 | | | | | | | | | BOLT AND WASHER, Hex Head, M14 x 2.00 x 111.6 |
| | 06504238 | 2 | J | | 74 | | | | LCA to Front Axle Mounting |
| | | 2 | T | | 74 | | | | LCA to Front Axle Mounting |
| 12 | 52088312 | 2 | | | | | | | ARM, ControlLower |
| -13 | 52088167 | 2 | | | | | | | BUSHING, Control Arm, LCA to Body, Lower |
| -14 | 52087720 | 2 | | | | | | | BUSHING, Control Arm, LCA to Axle, Lower |
| 15 | | | | | | | | | WASHER, M14 |
| | 06504236 | 2 | J | | 74 | | | | LCA to Front Axle Mounting |
| | | 2 | T | | 74 | | | | LCA to Front Axle Mounting |
| 16 | | | | | | | | | NUT, Hex, M14-2 |
| | 06503841 | 2 | J | | 74 | | | | LCA to Front Axle Mounting |
| | | 2 | T | | 74 | | | | LCA to Front Axle Mounting |
| 17 | | | | | | | | | ISOLATOR, Spring |
| | 52087767 | 2 | J | | 74 | | | | Upper |
| | | 2 | T | | 74 | | | | Upper |
| 18 | 52005645 | 2 | J | | | | | | SPACER, Jounce Bumper, [SDU] Only |
| 19 | | | | | | | | | CUP, Jounce Bumper |
| | 52087635 | 2 | J | | 74 | | | | |
| | | 2 | T | | 74 | | | | |
| 20 | 06504425 | 2 | | | | | | | SCREW AND WASHER, M10x1.50x35, Jounce Bumper Mounting |
| 21 | | | | | | | | | BUMPER, Jounce |
| | 52087992 | 2 | J | | 74 | | | | |
| | | 2 | T | | 74 | | | | |
| 22 | 06101695 | 4 | | | | | | | NUT, Hex Flange Lock, Shock Mounting, Lower |
| 23 | 06502555 | 4 | | | | | | | BOLT, M8x1.25x30, Shock Mounting, Lower |
| 24 | | | | | | | | | SHOCK ABSORBER PACKAGE, Suspension, Front [SDU] |
| | 04741675 | 2 | | | | | | | Mopar V-Line Alternative Part |
| | G0060052 | | | | | | | | Rancho Shock |
| | 0SGR5128 | | | | | | | | Mopar V-Line Alternative Part |
| | 0SG23162 | | | | | | | | |

GRAND CHEROKEE (ZJ)
 SERIES LINE BODY ENGINE TRANSMISSION
 L = LOWLINE T = JEEP - 2WD 74 = SPORT UTILITY 4-DR ELF = 5.2L V8 MPI Engine DGK = 4-Spd. Automatic 42RE
 J = JEEP - 4WD EML = 5.9L V8 MPI Engine Transmission
 ERH = 4.0L Power Tech I-6 Engine DGW = 4-Spd. Automatic 4RE
 Transmission
 DG0 = Transmissions - All Automatic

AR = use ase required - = Non illustrated part

Bar,Front Stabilizer Bar
Figure 2-120



| ITEM | PART NUMBER | QTY | LINE | SERIES | BODY | ENGINE | TRANS | TRIM | DESCRIPTION |
|------|-------------|-----|------|--------|------|--------|-------|------|---|
| 1 | 06502979 | 2 | | | | | | | NUT AND WASHER, Hex, M10x1.5 |
| 2 | 52088100 | 1 | | | | | | | BAR, Front Sway |
| 3 | 52088523 | 2 | | | | | | | CUSHION, Sway Eliminator, Stabilizer |
| 4 | 52087865 | 2 | | | | | | | RETAINER, Stabilizer Bar Grommet |
| 5 | 06101972 | 4 | | | | | | | SCREW AND WASHER |
| 6 | | | | | | | | | SCREW, Truss Head, M12x1.75x70 |
| | 06502930 | 2 | J | | 74 | | | | |
| | | 2 | T | | 74 | | | | |
| 7 | 52088437 | 2 | | | | | | | LINK, Sway Eliminator |
| 8 | 52088437 | 2 | | | | | | | WASHER, Flat, ID 13.07 x OD40.00 x THK 3.50, (NOT SERVICED) |
| 9 | 06502697 | 2 | | | | | | | NUT, Hex Flange Lock, M12x1.75 |

GRAND CHEROKEE (ZJ)

SERIES LINE
L = LOWLINE T = JEEP - 2WD
J = JEEP - 4WD

BODY
74 = SPORT UTILITY 4-DR

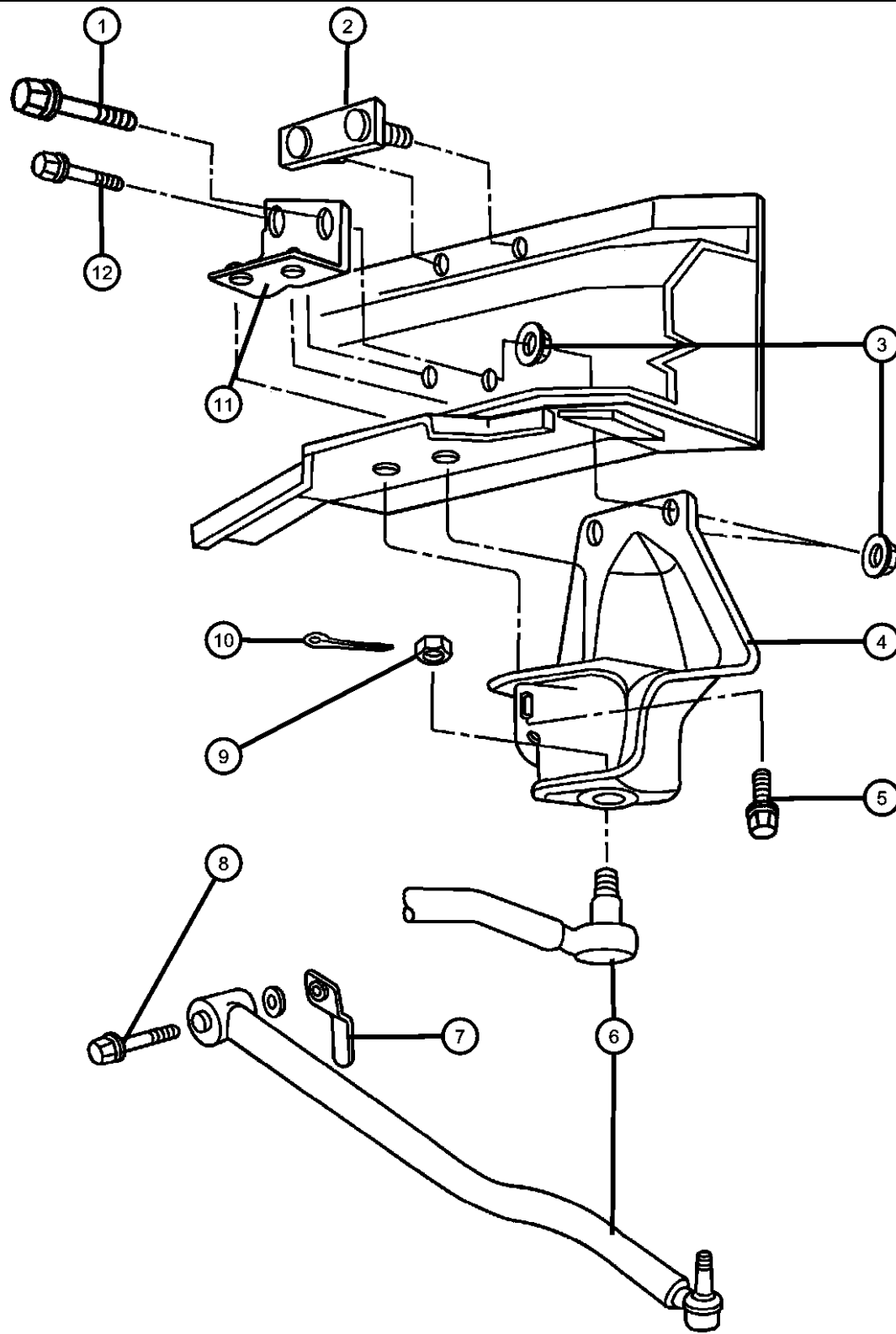
ENGINE
ELF = 5.2L V8 MPI Engine
EML = 5.9L V8 MPI Engine
ERH = 4.0L Power Tech I-6 Engine

TRANSMISSION
DGK = 4-Spd. Automatic 42RE Transmission
DGW = 4-Spd. Automatic 4RE Transmission
DG0 = Transmissions - All Automatic

AR = use ase required - = Non illustrated part

1997 ZJ

Bar,Front Track
Figure 2-130



| ITEM | PART NUMBER | QTY | LINE | SERIES | BODY | ENGINE | TRANS | TRIM | DESCRIPTION |
|------|-------------|-----|------|--------|------|--------|-------|------|---|
| 1 | 06502697 | 2 | | | | | | | SCREW, Flange Head, M12x1.75x98, (NOT SERVICED) |
| 2 | 52001493 | 1 | | | | | | | PLATE, Track Bar |
| 3 | 06502697 | 2 | | | | | | | NUT, Hex Flange Lock, M12x1.75 |
| 4 | 52007121 | 1 | | | | ER0 | | | BRACKET, Track Bar |
| 5 | 06502557 | 1 | | | | ER0 | | | BOLT, Hex Flange Head, M12x1.75x40 |
| 6 | 52007118 | 1 | | | | | | | BAR, Track |
| 7 | 06504449 | 1 | | | | | | | NUT, Hex, M10-1.5 |
| 8 | 06504416 | 1 | | | | | | | SCREW |
| 9 | 06034358 | 1 | J | | 74 | | | | NUT, Hex, .50-20 |
| 10 | | 1 | T | | 74 | | | | COTTER PIN, (NOT SERVICED) |
| 11 | 52007120 | 1 | | | | ER0 | | | BRACKET, Track Bar |
| 12 | 06502557 | 1 | | | | ER0 | | | BOLT, Hex Flange Head, M12x1.75x40 |

GRAND CHEROKEE (ZJ)

SERIES LINE
L = LOWLINE T = JEEP - 2WD
J = JEEP - 4WD

BODY
74 = SPORT UTILITY 4-DR

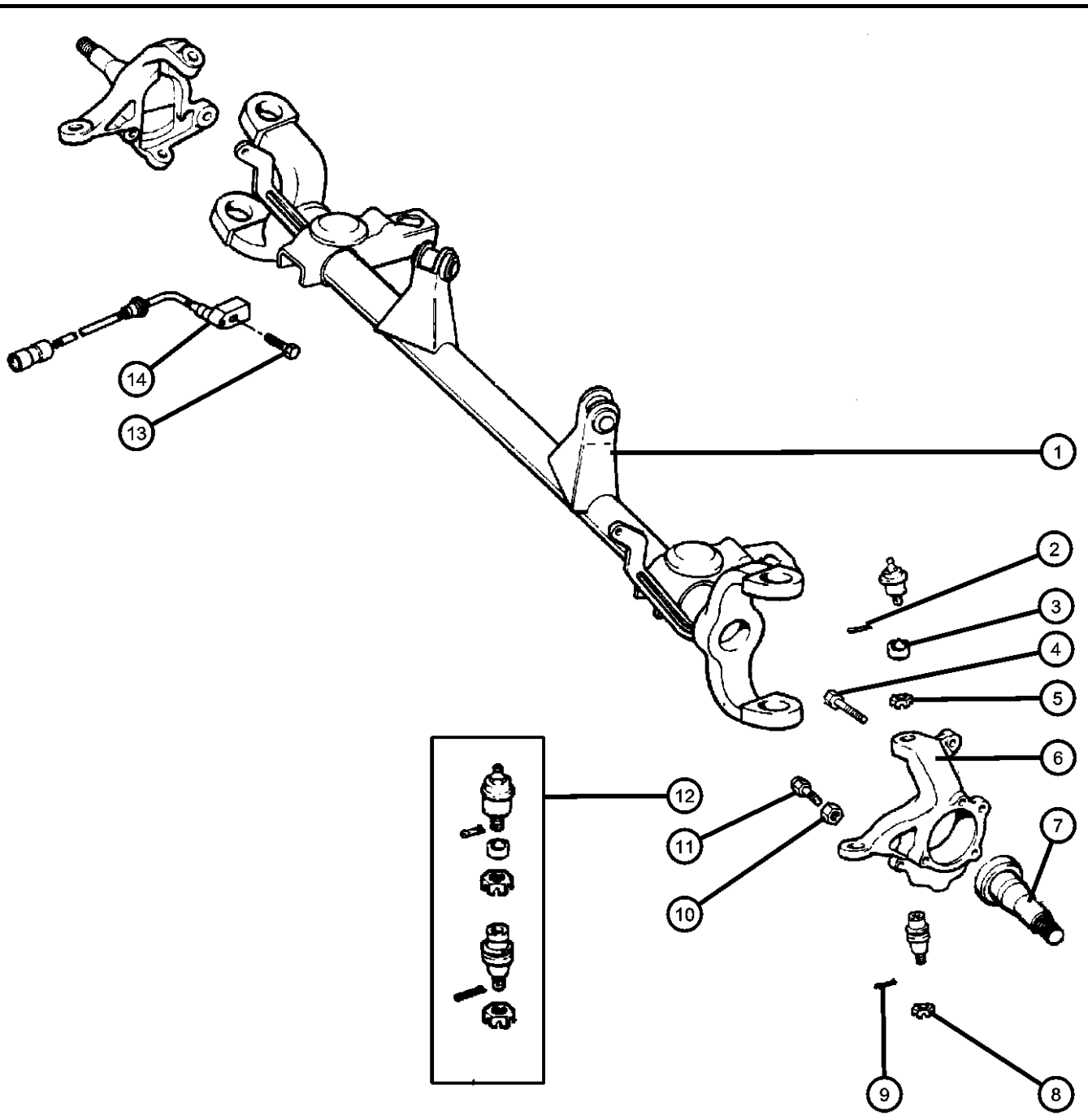
ENGINE
ELF = 5.2L V8 MPI Engine
EML = 5.9L V8 MPI Engine
ERH = 4.0L Power Tech I-6 Engine

TRANSMISSION
DGK = 4-Spd. Automatic 42RE Transmission
DGW = 4-Spd. Automatic 4RE Transmission
DG0 = Transmissions - All Automatic

AR = use ase required - = Non illustrated part

1997 ZJ

Housing,Front Axle 2 Wheel Drive
Figure 2-310



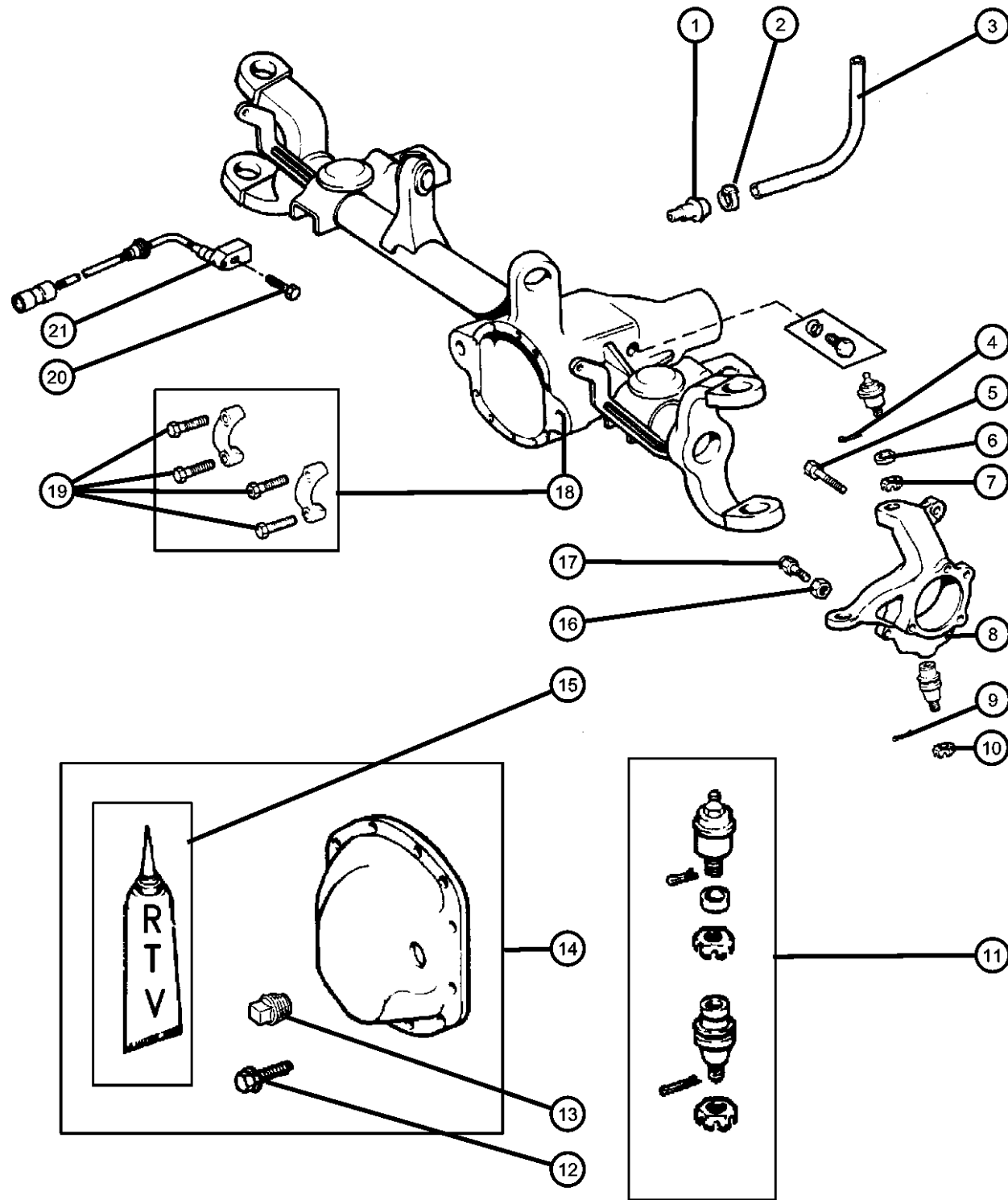
| ITEM | PART NUMBER | QTY | LINE | SERIES | BODY | ENGINE | TRANS | TRIM | DESCRIPTION |
|------|-------------|-----|------|--------|------|--------|-------|------|--|
| 1 | 04746923 | 1 | T | | | | | | HOUSING, Axle |
| 2 | J8121392 | 2 | T | | | | | | PIN, CotterUpper |
| 3 | 83500203 | 2 | T | | | | | | RING, Ball JointUpper |
| 4 | 34201535 | 6 | T | | | | | | BOLT, Knuckle to Hub and bearing Mounting |
| 5 | J0125258 | 2 | T | | | | | | NUT, Hex Slotted, Ball Joint Mounting, Upper |
| 6 | | | | | | | | | KNUCKLE, Front |
| | 52067576 | 1 | T | | | | | | Right |
| | 52067577 | 1 | T | | | | | | Left |
| 7 | 04741011 | 2 | T | | | | | | SHAFT, Dummy |
| 8 | J8123318 | 2 | T | | | | | | NUT, Ball Joint Mounting, Lower |
| 9 | J8121392 | 2 | T | | | | | | PIN, CotterLower |
| 10 | S0114494 | 2 | T | | | | | | NUT, Steering KnuckleStop |
| 11 | 01791701 | 2 | T | | | | | | BOLT, Steering Knuckle Stop |
| 12 | 83500202 | 2 | T | | | | | | BALL JOINT KIT, Knuckle |
| 13 | 83504920 | 2 | T | | | | | | BOLT, Sensor Mounting |
| 14 | 56005216 | 2 | T | | | | | | SENSOR, Anti-Lock Brakes |
| -15 | | | | | | | | | BRACKET, Brake Sensor |
| | 56026996 | 1 | T | | | | | | Right |
| | 56026997 | 1 | T | | | | | | Left |

GRAND CHEROKEE (ZJ)

| | | | | |
|-------------|----------------------------------|-------------------------|--|--|
| SERIES | LINE | BODY | ENGINE | TRANSMISSION |
| L = LOWLINE | T = JEEP - 2WD J = JEEP - 4WD | 74 = SPORT UTILITY 4-DR | ELF = 5.2L V8 MPI Engine EML = 5.9L V8 MPI Engine ERH = 4.0L Power Tech I-6 Engine | DGK = 4-Spd. Automatic 42RE Transmission DGW = 4-Spd. Automatic 4RE Transmission DG0 = Transmissions - All Automatic |

AR = use ase required - = Non illustrated part

Housing,Front Axle 4 Wheel Drive
Figure 2-320



| ITEM | PART NUMBER | QTY | LINE | SERIES | BODY | ENGINE | TRANS | TRIM | DESCRIPTION |
|------|-------------|-----|------|--------|------|---------------|-------|------|--|
| 1 | 83504653 | 1 | J | | | | | | VENT, AxleLower |
| 2 | 06502081 | 2 | J | | | | | | CLAMP, Oil Cooler Line, Axle Vent |
| 3 | 04443176 | 1 | J | | | | | | HOSE, Fuel, .31 I.D. 50 Foot Roll, Axle Vent |
| 4 | J8121392 | 2 | J | | | | | | PIN, CotterUpper |
| 5 | 34201535 | 6 | J | | | | | | BOLT, Knuckle to Hub and Bearing |
| 6 | 83500203 | 2 | J | | | | | | RING, Ball JointUpper |
| 7 | J0125258 | 2 | J | | | | | | NUT, Hex Slotted, Ball Joint Mounting, Upper |
| 8 | | | | | | | | | KNUCKLE, Front |
| | 52067576 | 1 | J | | | | | | Right |
| | 52067577 | 1 | J | | | | | | Left |
| 9 | J8121392 | 2 | J | | | | | | PIN, CotterLower |
| 10 | J8123318 | 2 | J | | | | | | NUT, Ball Joint Mounting, Lower |
| 11 | 83500202 | 2 | J | | | | | | BALL JOINT KIT, Knuckle |
| 12 | J0273573 | 10 | J | | | | | | SCREW, Hex Head, .375-18x.625, Mounting, Cover |
| 13 | J4004751 | 1 | J | | | | | | PLUG, Differential Cover |
| 14 | 04713451 | 1 | J | | | | | | COVER, Differential |
| 15 | 04318025 | 1 | J | | | EL0, EM0, ERO | DG0 | | SEALANT, RTV |
| 16 | S0114494 | 2 | J | | | | | | NUT, Steering KnuckleStop |
| 17 | 01791701 | 2 | J | | | | | | BOLT, Steering Knuckle Stop |
| 18 | 04882463 | 1 | J | | | | | | HOUSING, Axle |
| 19 | 04897482AB | 4 | J | | | | | | BOLT, Differential |
| 20 | 83504920 | 2 | J | | | | | | BOLT, Sensor Mounting |
| 21 | 56005216 | 2 | J | | | | | | SENSOR, Anti-Lock Brakes |
| -22 | | | | | | | | | BRACKET, Brake Sensor |
| | 56026766 | 1 | J | | | | | | Right |
| | 56026767 | 1 | J | | | | | | Left |

GRAND CHEROKEE (ZJ)

SERIES LINE
L = LOWLINE T = JEEP - 2WD
J = JEEP - 4WD

BODY
74 = SPORT UTILITY 4-DR

ENGINE
ELF = 5.2L V8 MPI Engine
EML = 5.9L V8 MPI Engine
ERH = 4.0L Power Tech I-6 Engine

TRANSMISSION
DGK = 4-Spd. Automatic 42RE Transmission
DGW = 4-Spd. Automatic 4RE Transmission
DG0 = Transmissions - All Automatic

AR = use ase required - = Non illustrated part

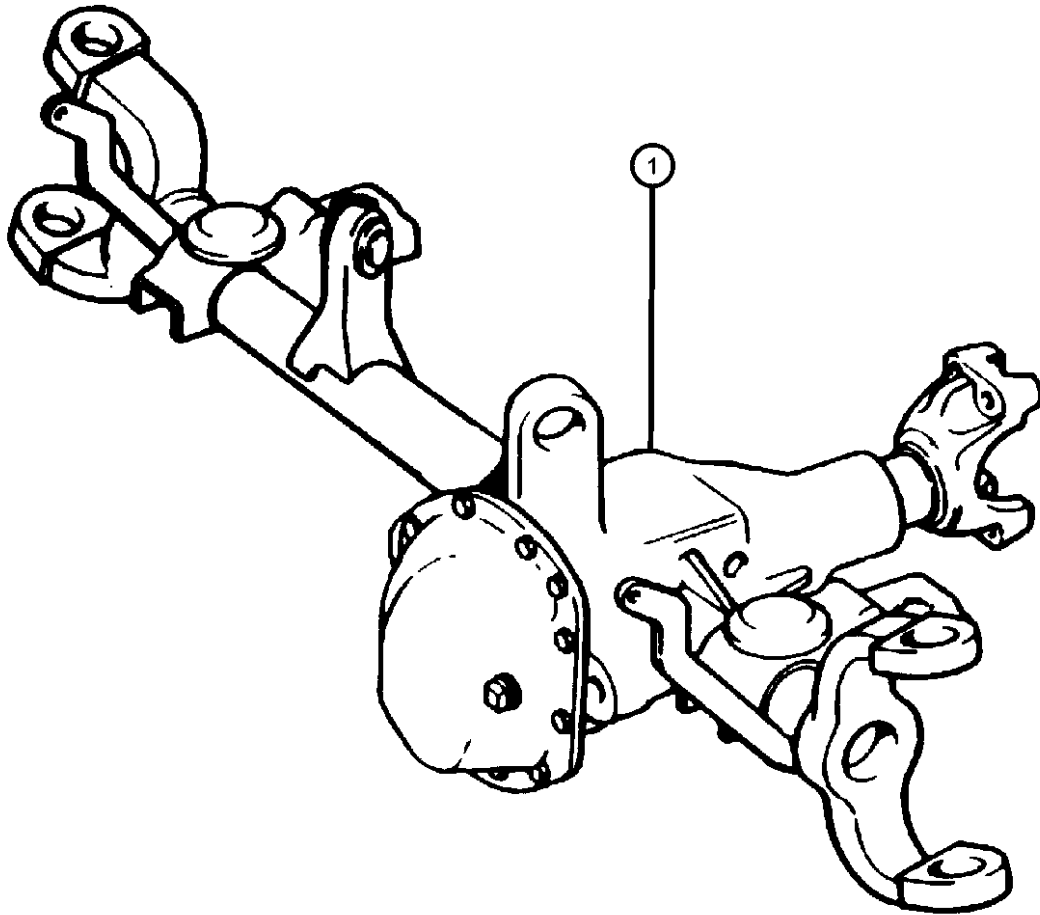
1997 ZJ

Axle Assembly,Front
Figure 2-410

| ITEM | PART NUMBER | QTY | LINE | SERIES | BODY | ENGINE | TRANS | TRIM | DESCRIPTION |
|------|-------------|-----|------|--------|------|--------|-------|------|-------------|
|------|-------------|-----|------|--------|------|--------|-------|------|-------------|

Note:DHP=Selec-Trac Full Time 4 WD System—DHR=Quadra-Trac 'ON DEMAND' 4 WD System—DMD=3.55 Axle Ratio—DME=3.73 Axle Ratio

| | | | | | | | | | |
|---|----------|---|---|--|--|--|--|--|----------------------------------|
| 1 | | | | | | | | | AXLE, Service Front |
| | 04864841 | 1 | J | | | | | | [DHP,DME] with Tag 52098973AB |
| | 04864905 | 1 | J | | | | | | [DHP,DMD] with Tag 52098975AB |
| | 04882464 | 1 | J | | | | | | [DHR,DME] with Tag 52098971AB |
| | 04882468 | 1 | J | | | | | | [DHR,DMD] with Tag 52098972AB |



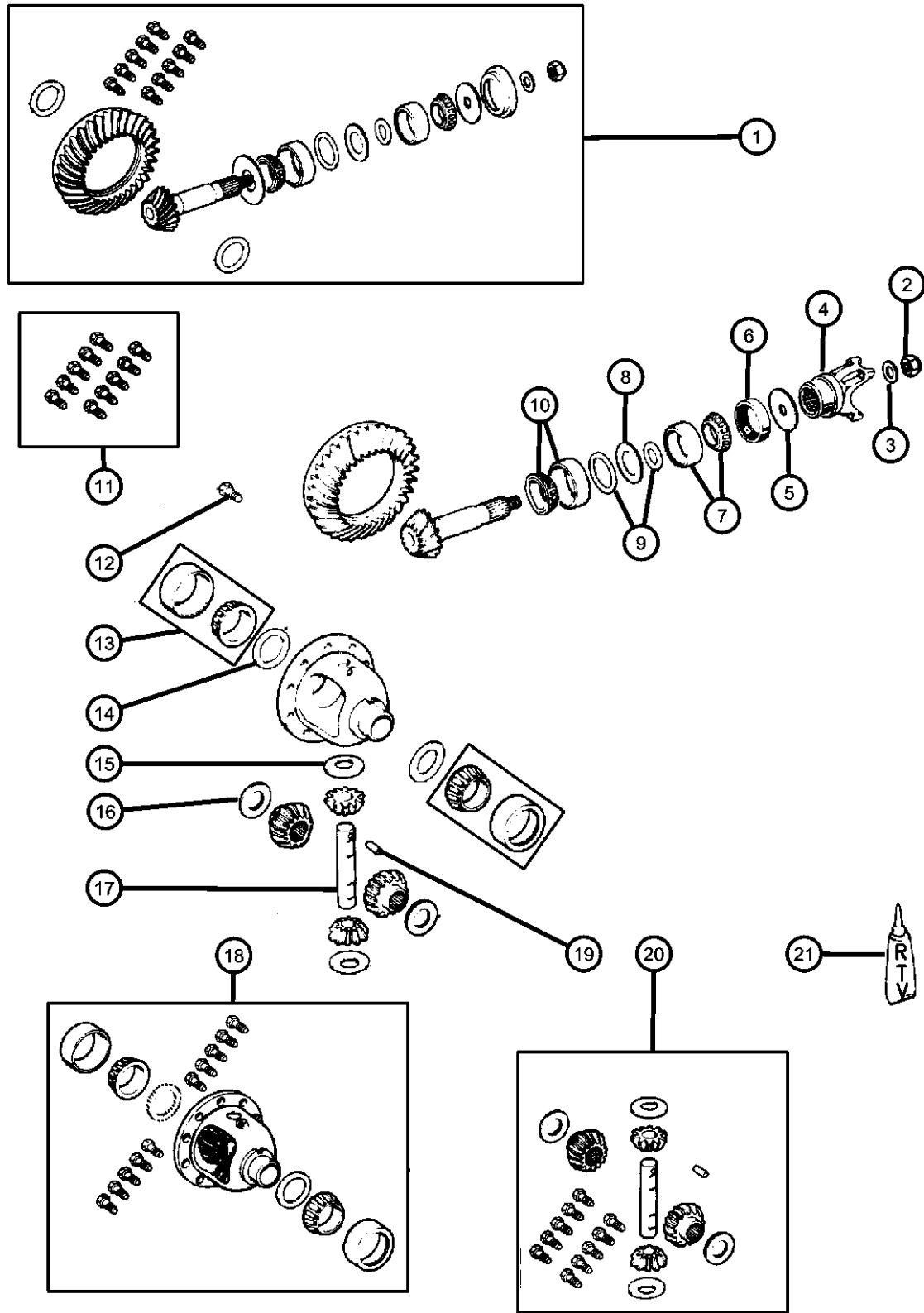
GRAND CHEROKEE (ZJ)

| | | | | |
|-------------|----------------------------------|-------------------------|---|--|
| SERIES | LINE | BODY | ENGINE | TRANSMISSION |
| L = LOWLINE | T = JEEP - 2WD J = JEEP - 4WD | 74 = SPORT UTILITY 4-DR | ELF = 5.2L V8 MPI Engine EML = 5.9L V8 MPI Engine ERH = 4.0L Power Tech I-6 Engine | DGK = 4-Spd. Automatic 42RE Transmission DGW = 4-Spd. Automatic 4RE Transmission DG0 = Transmissions - All Automatic |

AR = use ase required - = Non illustrated part

1997 ZJ

Differential,Front,Internal Parts
Figure 2-610



| ITEM | PART NUMBER | QTY | LINE | SERIES | BODY | ENGINE | TRANS | TRIM | DESCRIPTION |
|---|-------------|-----|------|--------|------|--------|-------|------|---|
| Note:DHP=Selec-Trac Full Time 4 WD System—DHR=Quadra-Trac 'ON DEMAND' 4 WD System—DMD=3.55 Axle Ratio—DME=3.73 Axle Ratio | | | | | | | | | |
| 1 | | | | | | | | | GEAR KIT, Ring And Pinion, 1 |
| | 04864843 | 1 | J | | | | | | [DME] |
| | 04864906 | 1 | J | | | | | | [DMD] |
| 2 | 01791575 | 1 | J | | | | | | NUT, Pinion Yoke |
| 3 | 01791576 | 1 | J | | | | | | WASHER, Pinion Yoke |
| 4 | | | | | | | | | YOKE, Axle |
| | 04778812 | 1 | J | | | | | | [DHR] |
| | 83503388 | 1 | J | | | | | | [DHP] |
| 5 | 04031974 | 1 | J | | | | | | SLINGER, Drive Pinion |
| 6 | 04746772 | 1 | J | | | | | | SEAL, Drive Pinion |
| 7 | 05252508 | 1 | J | | | | | | BEARING, Drive Pinion, Bearing and Cup, Front |
| 8 | 04864845 | 1 | J | | | | | | SPACER, Crush |
| 9 | 04720862 | 1 | J | | | | | | SHIM KIT, Pinion Shaft |
| 10 | J8126499 | 1 | J | | | | | | BEARING, Drive Pinion, Bearing and Cup, Rear |
| 11 | 04720891 | 1 | | | | | | | BOLT KIT, Consists of 10-5252503 Screws |
| 12 | 05252503 | 1 | J | | | | | | SCREW, Drive Gear |
| 13 | J8126500 | 1 | J | | | | | | BEARING, Differential, Consists of 2 Bearing and 2 Cups |
| 14 | 04720863 | 1 | J | | | | | | SHIM KIT, Differential |
| 15 | J8120831 | 2 | J | | | | | | WASHER, Flat, Pinion Gear Thrust |
| 16 | J8133724 | 2 | J | | | | | | WASHER, Flat, Side Gear Thrust |
| 17 | 05003840AA | 1 | J | | | | | | SHAFT, Differential |
| 18 | | | | | | | | | CASE, Differential |
| | 05252582 | 1 | J | | | | | | [DMD] |
| | 05252590 | 1 | J | | | | | | [DME] |
| 19 | 01791563 | 1 | J | | | | | | PIN, Differential Shaft |
| 20 | 05252591 | 1 | J | | | | | | GEAR KIT, Center Differential |
| 21 | 04318025 | 1 | J | | | | | | SEALANT, RTV |

ELO, EM0, ERO DG0

GRAND CHEROKEE (ZJ)

SERIES LINE
L = LOWLINE T = JEEP - 2WD
J = JEEP - 4WD

BODY
74 = SPORT UTILITY 4-DR

ENGINE
ELF = 5.2L V8 MPI Engine
EML = 5.9L V8 MPI Engine
ERH = 4.0L Power Tech I-6 Engine

TRANSMISSION
DGK = 4-Spd. Automatic 42RE Transmission
DGW = 4-Spd. Automatic 4RE Transmission
DG0 = Transmissions - All Automatic

AR = use ase required - = Non illustrated part

1997 ZJ

Group - 3

Rear Axle

Group - 3 Rear Axle

Group-Fig. No.

Illustration Title

Rear Axle

Axle Assembly,Rear,Dana Model 35, Dana Model 44..... Fig. 3 - 110

Differential and Housing

Housing,Rear,Axle,Dana Model 35 Fig. 3 - 210

Housing,Rear,Axle,Dana Model 44 Fig. 3 - 220

Differential,Rear,Dana Model 35,without Trac-Lok [DSA] Fig. 3 - 230

Differential,Rear,Dana Model 35,with Trac-Lok [DSA] Fig. 3 - 240

Differential,Rear,Dana Model 44,without Trac-Lok [DSA] Fig. 3 - 250

Differential,Rear,Dana Model 44,with Trac-Lok [DSA]..... Fig. 3 - 260

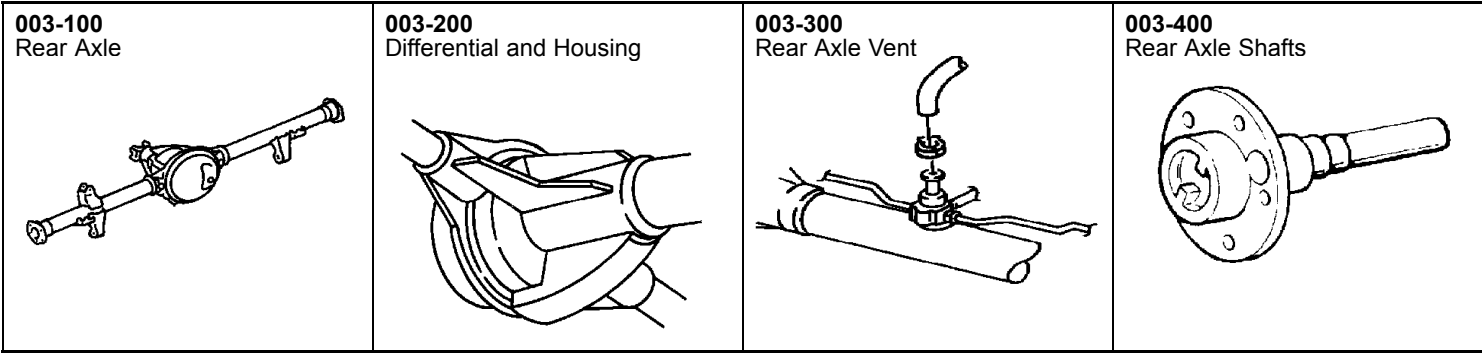
Rear Axle Vent

Vent, Axle Fig. 3 - 310

Rear Axle Shafts

Shaft,Rear Axle Dana Model 35 Fig. 3 - 410

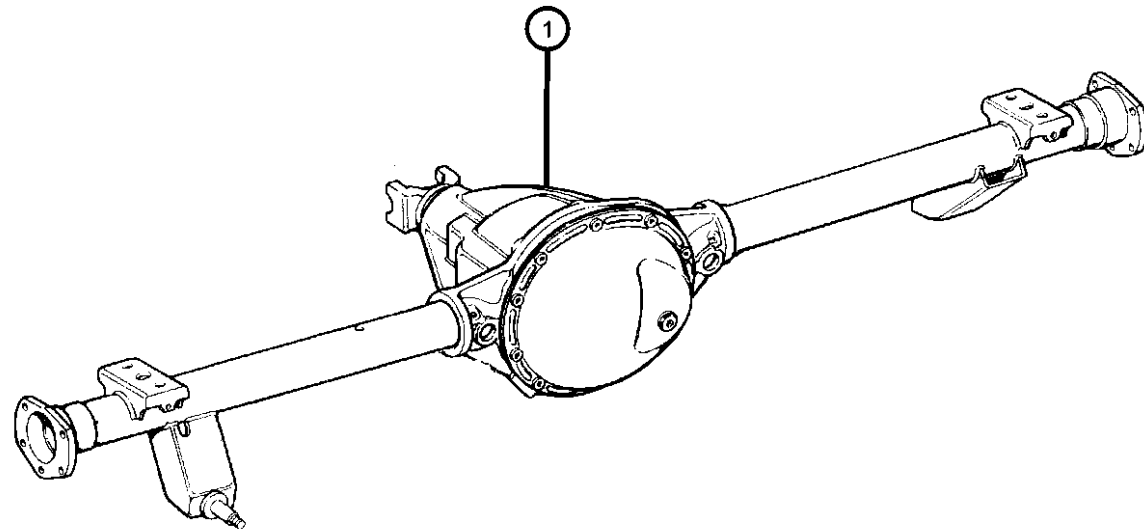
Shaft,Rear Axle Dana Model 44 Fig. 3 - 420



**Axle Assembly,Rear,Dana Model 35, Dana Model 44
Figure 3-110**

| ITEM | PART NUMBER | QTY | LINE | SERIES | BODY | ENGINE | TRANS | TRIM | DESCRIPTION |
|------|-------------|-----|------|--------|------|--------|-------|------|-------------|
|------|-------------|-----|------|--------|------|--------|-------|------|-------------|

Note;DRJ=Dana 35—DRK=Dana 44—DRM=Dana 35C—DMD=3.55 Axle Ratio—DME=3.73 Axle Ratio—DSA=Anti Spin Differential



| | | | | | | | | | |
|---|------------|---|--|--|--|--|--|--|--|
| 1 | | | | | | | | | AXLE, Rear |
| | 04882446 | 1 | | | | | | | [DRM,DME] With Tag 52098977 |
| | 04874468 | | | | | | | | Mopar SAE 80W-90 Gear Lube Quart Bottle |
| | 68003054AA | | | | | | | | Mopar SAE 80W-90 Gear Lube 16 Gallon Keg |
| | 04874469 | | | | | | | | Mopar SAE 75W-140 Synthetic Gear and Axle Lube Quart |
| | 68003055AA | | | | | | | | Mopar SAE 75W-140 Synthetic Gear and Axle Lube 16 Gallon Keg |
| | 04882451 | 1 | | | | | | | [DRM,DME,DSA] With Tag 52098978 |
| | 04874468 | | | | | | | | Mopar SAE 80W-90 Gear Lube Quart Bottle |
| | 68003054AA | | | | | | | | Mopar SAE 80W-90 Gear Lube 16 Gallon Keg |
| | 04874469 | | | | | | | | Mopar SAE 75W-140 Synthetic Gear and Axle Lube Quart |
| | 68003055AA | | | | | | | | Mopar SAE 75W-140 Synthetic Gear and Axle Lube 16 Gallon Keg |
| | 04882453 | 1 | | | | | | | [DRJ,DMD] With Tag 52098976 |
| | 04874468 | | | | | | | | Mopar SAE 80W-90 Gear Lube Quart Bottle |
| | 68003054AA | | | | | | | | Mopar SAE 80W-90 Gear Lube 16 Gallon Keg |
| | 04874469 | | | | | | | | Mopar SAE 75W-140 Synthetic Gear and Axle Lube Quart |
| | 68003055AA | | | | | | | | Mopar SAE 75W-140 Synthetic Gear and Axle Lube 16 Gallon Keg |
| | 04886321AA | 1 | | | | | | | [DRK,DME,DSA] With Tag 52098981 |
| | 04874468 | | | | | | | | Mopar SAE 80W-90 Gear Lube Quart Bottle |
| | 68003054AA | | | | | | | | Mopar SAE 80W-90 Gear Lube 16 Gallon Keg |
| | 04874469 | | | | | | | | Mopar SAE 75W-140 Synthetic Gear and Axle Lube Quart |
| | 68003055AA | | | | | | | | Mopar SAE 75W-140 Synthetic Gear and Axle Lube 16 Gallon Keg |
| | 04886322AA | 1 | | | | | | | [DRK,DME] With Tag 52098980 |
| | 04874468 | | | | | | | | Mopar SAE 80W-90 Gear Lube Quart Bottle |

GRAND CHEROKEE (ZJ)

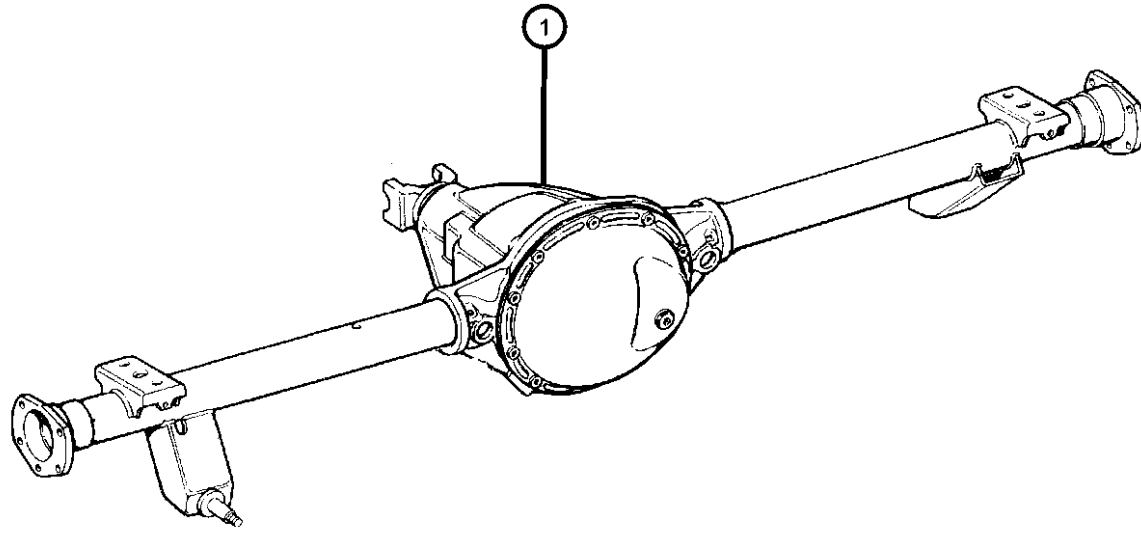
| SERIES | LINE | BODY | ENGINE | TRANSMISSION |
|-------------|----------------------------------|-------------------------|--|--|
| L = LOWLINE | T = JEEP - 2WD J = JEEP - 4WD | 74 = SPORT UTILITY 4-DR | ELF = 5.2L V8 MPI Engine EML = 5.9L V8 MPI Engine ERH = 4.0L Power Tech I-6 Engine | DGK = 4-Spd. Automatic 42RE Transmission DGW = 4-Spd. Automatic 4RE Transmission DG0 = Transmissions - All Automatic |

AR = use ase required - = Non illustrated part

1997 ZJ

Axle Assembly,Rear,Dana Model 35, Dana Model 44
Figure 3-110

| ITEM | PART NUMBER | QTY | LINE | SERIES | BODY | ENGINE | TRANS | TRIM | DESCRIPTION |
|------|-------------|-----|------|--------|------|--------|-------|------|--|
| | 68003054AA | | | | | | | | Mopar SAE 80W-90 Gear Lube 16 Gallon Keg |
| | 04874469 | | | | | | | | Mopar SAE 75W-140 Synthetic Gear and Axle Lube Quart |
| | 68003055AA | | | | | | | | Mopar SAE 75W-140 Synthetic Gear and Axle Lube 16 Gallon Keg |



GRAND CHEROKEE (ZJ)

SERIES LINE
L = LOWLINE T = JEEP - 2WD
 J = JEEP - 4WD

BODY
74 = SPORT UTILITY 4-DR

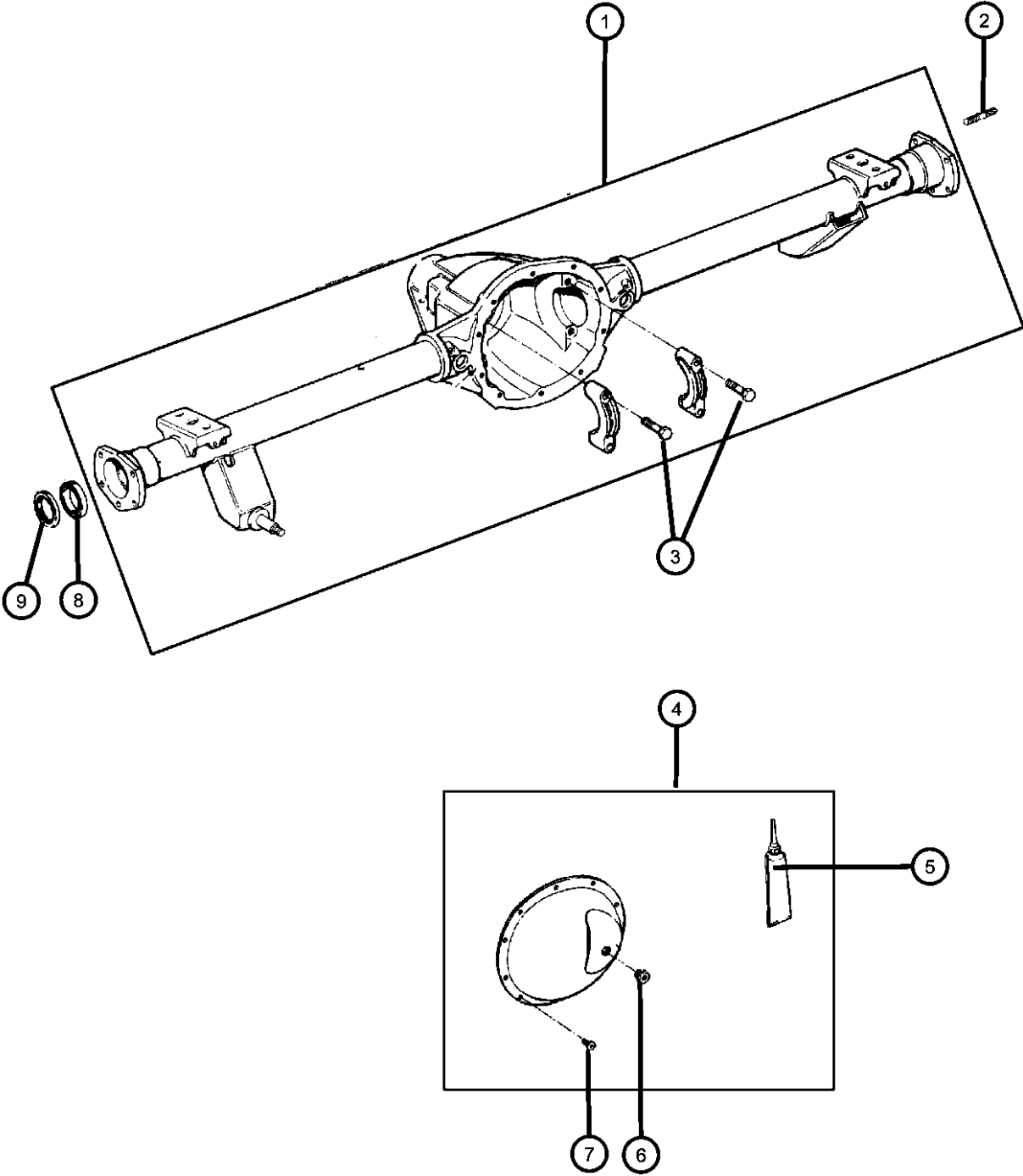
ENGINE
ELF = 5.2L V8 MPI Engine
EML = 5.9L V8 MPI Engine
ERH = 4.0L Power Tech I-6
Engine

TRANSMISSION
DGK = 4-Spd. Automatic 42RE
Transmission
DGW = 4-Spd. Automatic 4RE
Transmission
DG0 = Transmissions - All Automatic

AR = use ase required - = Non illustrated part

Housing,Rear,Axle,Dana Model 35

Figure 3-210



| ITEM | PART NUMBER | QTY | LINE | SERIES | BODY | ENGINE | TRANS | TRIM | DESCRIPTION |
|------|-------------|-----|------|--------|------|--------|-------|------|---|
| 1 | 04882444 | 1 | | | | | | | HOUSING, Axle |
| 2 | 04856352 | 8 | | | | | | | STUD, Axle Housing to Backing Plate |
| 3 | J4006553 | 4 | | | | | | | BOLT, Differential, Carrier Cap Mounting |
| 4 | 05252493 | 1 | | | | | | | COVER, Differential |
| 5 | 04318025 | 1 | J | | | | | | SEALANT, RTV |
| 6 | 05252504 | 1 | | | | | | | PLUG, Differential Cover |
| 7 | J4006708 | 10 | | | | | | | SCREW, Pan Head, .312-18x.56, Cover Attaching |
| 8 | J8134586 | 2 | | | | | | | BEARING, Axle Shaft |
| 9 | 04856336 | 2 | | | | | | | SEAL, Axle Drive Shaft |

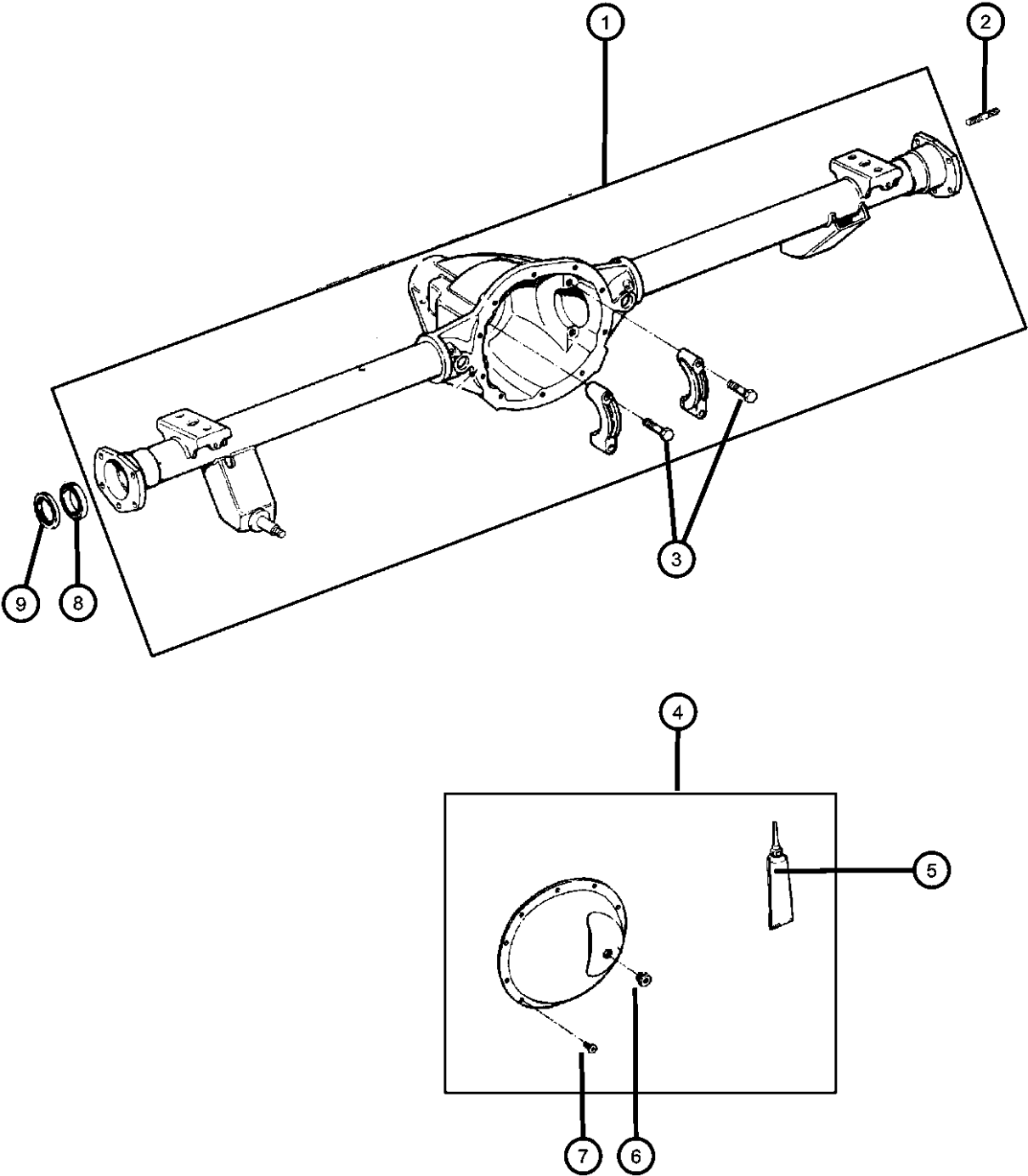
GRAND CHEROKEE (ZJ)

| | | | | |
|-------------|----------------------------------|-------------------------|--|--|
| SERIES | LINE | BODY | ENGINE | TRANSMISSION |
| L = LOWLINE | T = JEEP - 2WD J = JEEP - 4WD | 74 = SPORT UTILITY 4-DR | ELF = 5.2L V8 MPI Engine EML = 5.9L V8 MPI Engine ERH = 4.0L Power Tech I-6 Engine | DGK = 4-Spd. Automatic 42RE Transmission DGW = 4-Spd. Automatic 4RE Transmission DG0 = Transmissions - All Automatic |

AR = use ase required - = Non illustrated part

Housing,Rear,Axle,Dana Model 44

Figure 3-220



| ITEM | PART NUMBER | QTY | LINE | SERIES | BODY | ENGINE | TRANS | TRIM | DESCRIPTION |
|------|-------------|-----|------|--------|------|--------|-------|------|---|
| 1 | 04886319AA | 1 | | | | | | | HOUSING, Axle |
| 2 | 04856352 | 8 | | | | | | | STUD, Axle Housing to Backing Plate |
| 3 | 05012879AA | 4 | | | | | | | BOLT, Differential, Carrier Cap Mounting |
| 4 | 04856347 | 1 | | | | | | | COVER, Differential |
| 5 | 04318025 | 1 | J | | | | | | SEALANT, RTV |
| 6 | 05252504 | 1 | | | | | | | PLUG, Differential Cover |
| 7 | J4006708 | 10 | | | | | | | SCREW, Pan Head, .312-18x.56, Cover Attaching |
| 8 | J8134586 | 2 | | | | | | | BEARING, Axle Shaft |
| 9 | 04856336 | 2 | | | | | | | SEAL, Axle Drive Shaft |

GRAND CHEROKEE (ZJ)

| | | | | |
|-------------|----------------------------------|-------------------------|--|--|
| SERIES | LINE | BODY | ENGINE | TRANSMISSION |
| L = LOWLINE | T = JEEP - 2WD J = JEEP - 4WD | 74 = SPORT UTILITY 4-DR | ELF = 5.2L V8 MPI Engine EML = 5.9L V8 MPI Engine ERH = 4.0L Power Tech I-6 Engine | DGK = 4-Spd. Automatic 42RE Transmission DGW = 4-Spd. Automatic 4RE Transmission DG0 = Transmissions - All Automatic |

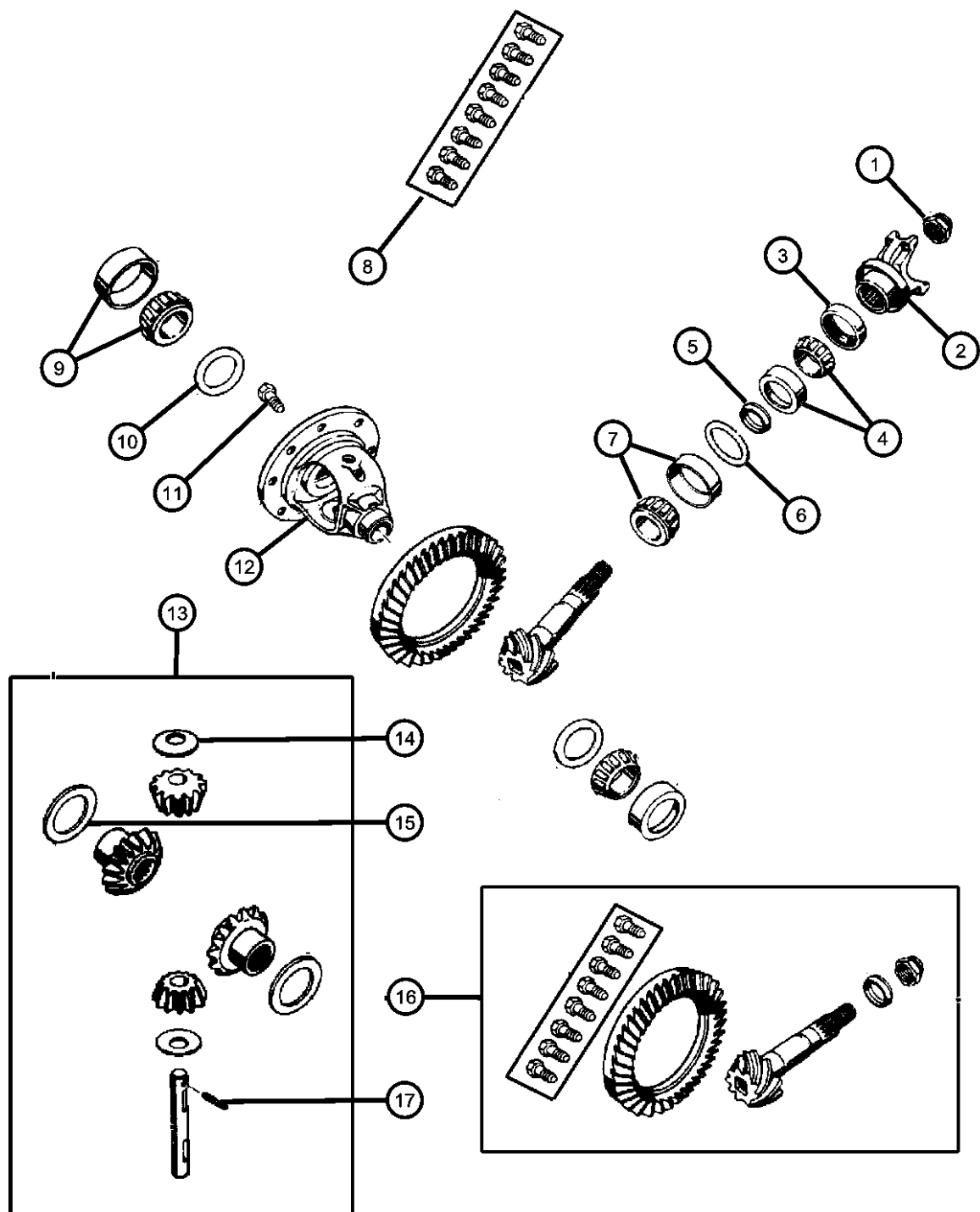
AR = use ase required - = Non illustrated part

Differential,Rear,Dana Model 35,without Trac-Lok [DSA]

Figure 3-230

| ITEM | PART NUMBER | QTY | LINE | SERIES | BODY | ENGINE | TRANS | TRIM | DESCRIPTION |
|------|-------------|-----|------|--------|------|--------|-------|------|-------------|
|------|-------------|-----|------|--------|------|--------|-------|------|-------------|

Note: DMD=3.55 Ratio—DME=3.73 Ratio—DSA=Anti-Spin Differential



| | | | | | | | | | |
|----|----------|---|--|--|---|--|--|--|--|
| 1 | 04720895 | 1 | | | | | | | NUT, Pinion Yoke |
| 2 | 04797552 | 1 | | | | | | | YOKE, Axle |
| 3 | 83504946 | 1 | | | | | | | SEAL, Drive Pinion |
| 4 | 05252508 | 1 | | | | | | | BEARING, Drive Pinion, Bearing and Cup, Front |
| 5 | J3175779 | 1 | | | | | | | SPACER, Drive Pinion Bearing, Crush |
| 6 | 04720922 | 1 | | | | | | | SHIM KIT, Pinion Shaft |
| 7 | 05252507 | 1 | | | | | | | BEARING, Drive Pinion, Bearing and Cup, Rear |
| 8 | 04720891 | 1 | | | | | | | BOLT KIT, Consists of 10-5252503 Screws |
| 9 | J8126500 | 1 | | | | | | | BEARING, Differential, Consists of 2 Bearings and 2 Cups, Side |
| 10 | 83503004 | 1 | | | | | | | SHIM KIT, Differential |
| 11 | 05252503 | 1 | | | J | | | | SCREW, Drive Gear, Ring Gear Mounting |
| 12 | 04740834 | 1 | | | | | | | CASE, Differential |
| 13 | 04740670 | 1 | | | | | | | GEAR KIT, Center Differential |
| 14 | J8120831 | 2 | | | | | | | WASHER, Flat, Pinion, Thrust |
| 15 | J8120832 | 2 | | | | | | | WASHER, Differential Side GearThrust |
| 16 | | | | | | | | | GEAR KIT, Ring And Pinion |
| | 04761676 | 1 | | | | | | | [DMD] |
| | 04761678 | 1 | | | | | | | [DME] |
| 17 | 05252502 | 1 | | | | | | | PIN, Differential Shaft |

GRAND CHEROKEE (ZJ)

SERIES LINE
 L = LOWLINE T = JEEP - 2WD
 J = JEEP - 4WD

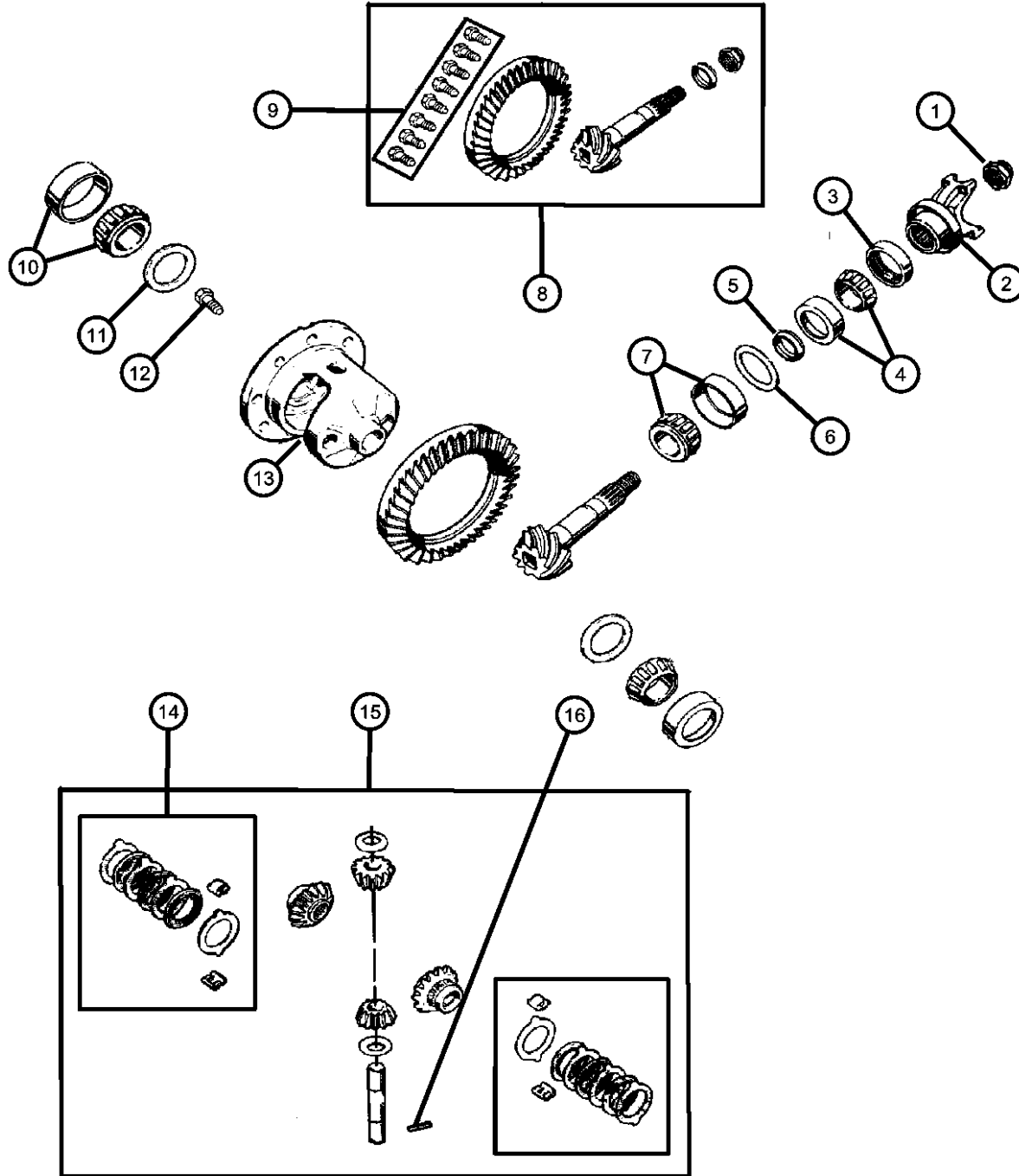
BODY
 74 = SPORT UTILITY 4-DR

ENGINE
 ELF = 5.2L V8 MPI Engine
 EML = 5.9L V8 MPI Engine
 ERH = 4.0L Power Tech I-6 Engine

TRANSMISSION
 DGK = 4-Spd. Automatic 42RE Transmission
 DGW = 4-Spd. Automatic 4RE Transmission
 DG0 = Transmissions - All Automatic

AR = use ase required - = Non illustrated part

Differential,Rear,Dana Model 35,with Trac-Lok [DSA]
Figure 3-240



| ITEM | PART NUMBER | QTY | LINE | SERIES | BODY | ENGINE | TRANS | TRIM | DESCRIPTION |
|------|-------------|-----|------|--------|------|--------|-------|------|-------------|
|------|-------------|-----|------|--------|------|--------|-------|------|-------------|

Note:DME=3.73 Ratio—DSA=Anti-Spin Differential

| | | | | | | | | | |
|----|----------|---|---|--|--|--|--|--|--|
| 1 | 04720895 | 1 | | | | | | | NUT, Pinion Yoke |
| 2 | 04797552 | 1 | | | | | | | YOKE, Axle |
| 3 | 83504946 | 1 | | | | | | | SEAL, Drive Pinion |
| 4 | 05252508 | 1 | | | | | | | BEARING, Drive Pinion, Bearing and Cup, Front |
| 5 | J3175779 | 1 | | | | | | | SPACER, Drive Pinion Bearing, Crush |
| 6 | 04720922 | 1 | | | | | | | SHIM KIT, Pinion Shaft |
| 7 | 05252507 | 1 | | | | | | | BEARING, Drive Pinion, Bearing and Cup, Rear |
| 8 | 04761678 | 1 | | | | | | | GEAR KIT, Ring And Pinion, [DME] |
| 9 | 04720891 | 1 | | | | | | | BOLT KIT, Consist of 10-5252503 Screws |
| 10 | J8126500 | 1 | | | | | | | BEARING, Differential, Consists of 2 Bearings and 2 Cups |
| 11 | 83503004 | 1 | | | | | | | SHIM KIT, Differential |
| 12 | 05252503 | 1 | J | | | | | | SCREW, Drive Gear, Ring Gear Mounting |
| 13 | 05252496 | 1 | | | | | | | CASE, Differential |
| 14 | 05252506 | 1 | | | | | | | DISC AND PLATE KIT, Differential |
| 15 | 04773010 | 1 | | | | | | | GEAR KIT, Center Differential |
| 16 | 05252502 | 1 | | | | | | | PIN, Differential Shaft |

GRAND CHEROKEE (ZJ)

SERIES LINE
L = LOWLINE T = JEEP - 2WD
J = JEEP - 4WD

BODY
74 = SPORT UTILITY 4-DR

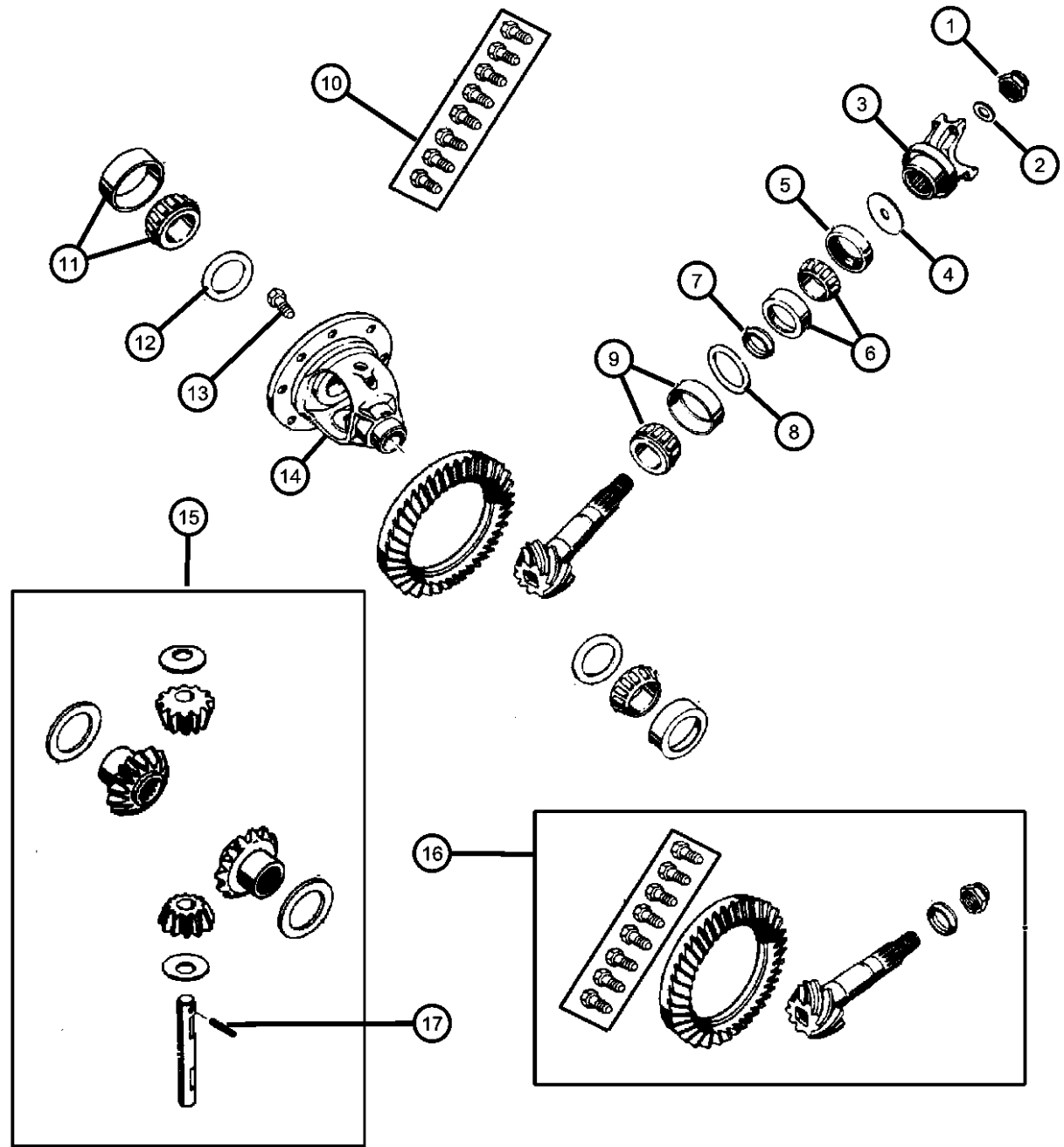
ENGINE
ELF = 5.2L V8 MPI Engine
EML = 5.9L V8 MPI Engine
ERH = 4.0L Power Tech I-6 Engine

TRANSMISSION
DGK = 4-Spd. Automatic 42RE Transmission
DGW = 4-Spd. Automatic 4RE Transmission
DG0 = Transmissions - All Automatic

AR = use ase required - = Non illustrated part

1997 ZJ

**Differential,Rear,Dana Model 44,without Trac-Lok [DSA]
Figure 3-250**



| ITEM | PART NUMBER | QTY | LINE | SERIES | BODY | ENGINE | TRANS | TRIM | DESCRIPTION |
|------|-------------|-----|------|--------|------|--------|-------|------|-------------|
|------|-------------|-----|------|--------|------|--------|-------|------|-------------|

Note: DME=3.73 Ratio—DSA=Anti-Spin Differential

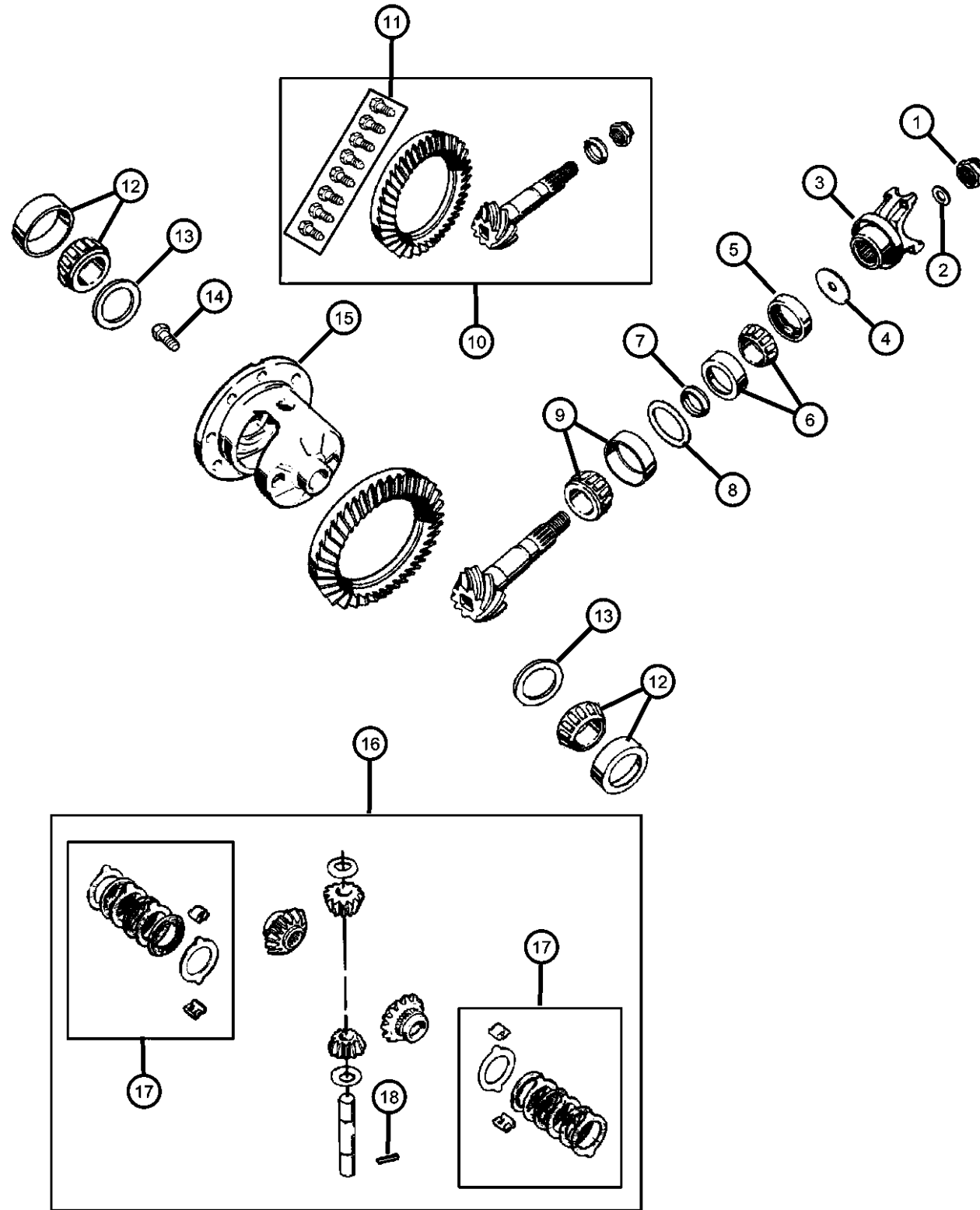
| | | | | | | | | | |
|----|------------|---|--|--|---|--|--|--|---|
| 1 | 01795173 | 1 | | | | | | | NUT, Pinion Yoke |
| 2 | 01795175 | 1 | | | | | | | WASHER, Pinion Yoke |
| 3 | 04856345 | 1 | | | | | | | YOKE, Axle |
| 4 | 04746867 | 1 | | | | | | | SLINGER, Drive Pinion |
| 5 | 04384188 | 1 | | | | | | | SEAL, Drive Pinion |
| 6 | 04864210 | 1 | | | | | | | BEARING, Drive Pinion, Bearing and Cup, Front |
| 7 | 04864214 | 1 | | | | | | | SPACER, Crush |
| 8 | | | | | | | | | SHIM KIT, Pinion Shaft |
| | 04856368 | 1 | | | | | | | .035 to .039 |
| | 04856369 | 1 | | | | | | | .040 to .044 |
| | 04856370 | 1 | | | | | | | .045 to .049 |
| | 04856371 | 1 | | | | | | | .050 to .054 |
| 9 | 04746979 | 1 | | | | | | | BEARING, Drive Pinion, Bearing and Cup, Rear |
| 10 | 04720891 | 1 | | | | | | | BOLT KIT, Consists of 10-5252503 Screws |
| 11 | 04864213 | 1 | | | | | | | BEARING, Differential Case, Consists of 2 Bearings and 2 Cups |
| 12 | 04856367 | 1 | | | | | | | SHIM KIT, Differential |
| 13 | 05252503 | 1 | | | J | | | | SCREW, Drive Gear, Ring Gear |
| 14 | 04856357 | 1 | | | | | | | CASE, Differential |
| 15 | 04856366 | 1 | | | | | | | GEAR KIT, Center Differential |
| 16 | 04856346 | 1 | | | | | | | GEAR KIT, Ring And Pinion, [DME] |
| 17 | 05015223AA | 1 | | | | | | | PIN, Differential Shaft |

GRAND CHEROKEE (ZJ)

| | | | | |
|-------------|----------------------------------|-------------------------|--|--|
| SERIES | LINE | BODY | ENGINE | TRANSMISSION |
| L = LOWLINE | T = JEEP - 2WD J = JEEP - 4WD | 74 = SPORT UTILITY 4-DR | ELF = 5.2L V8 MPI Engine EML = 5.9L V8 MPI Engine ERH = 4.0L Power Tech I-6 Engine | DGK = 4-Spd. Automatic 42RE Transmission DGW = 4-Spd. Automatic 4RE Transmission DG0 = Transmissions - All Automatic |

AR = use ase required - = Non illustrated part

Differential,Rear,Dana Model 44,with Trac-Lok [DSA]
Figure 3-260



| ITEM | PART NUMBER | QTY | LINE | SERIES | BODY | ENGINE | TRANS | TRIM | DESCRIPTION |
|------|-------------|-----|------|--------|------|--------|-------|------|-------------|
|------|-------------|-----|------|--------|------|--------|-------|------|-------------|

Note: DME=3.73 Ratio—DSA=Anti-Spin Differential

| | | | | | | | | | |
|----|------------|---|--|--|---|--|--|--|--|
| 1 | 01795173 | 1 | | | | | | | NUT, Pinion Yoke |
| 2 | 01795175 | 1 | | | | | | | WASHER, Pinion Yoke |
| 3 | 04856345 | 1 | | | | | | | YOKE, Axle |
| 4 | 04746867 | 1 | | | | | | | SLINGER, Drive Pinion |
| 5 | 04384188 | 1 | | | | | | | SEAL, Drive Pinion |
| 6 | 04864210 | 1 | | | | | | | BEARING, Drive Pinion, Bearing and Cup, Front |
| 7 | 04864214 | 1 | | | | | | | SPACER, Crush |
| 8 | | | | | | | | | SHIM KIT, Pinion Shaft |
| | 04856368 | 1 | | | | | | | .035 to .039 |
| | 04856369 | 1 | | | | | | | .040 to .044 |
| | 04856370 | 1 | | | | | | | .045 to .049 |
| | 04856371 | 1 | | | | | | | .050 to .054 |
| 9 | 04746979 | 1 | | | | | | | BEARING, Drive Pinion, Bearing and Cup, Rear |
| 10 | 04856346 | 1 | | | | | | | GEAR KIT, Ring And Pinion, [DME] |
| 11 | 04720891 | 1 | | | | | | | BOLT KIT, Consists of 10-5252503 Screws |
| 12 | 04864213 | 1 | | | | | | | BEARING, Differential Case, Consists of 2 Bearing and 2 Cups |
| 13 | 04856367 | 1 | | | | | | | SHIM KIT, Differential |
| 14 | 05252503 | 1 | | | J | | | | SCREW, Drive Gear, Ring Gear, Mounting |
| 15 | 04856355 | 1 | | | | | | | CASE, Differential |
| 16 | 04856372 | 1 | | | | | | | GEAR KIT, Center Differential |
| 17 | 04626720 | 1 | | | | | | | DISC AND PLATE KIT, Differential |
| 18 | 05015223AA | 1 | | | | | | | PIN, Differential Shaft |

GRAND CHEROKEE (ZJ)

SERIES LINE
L = LOWLINE T = JEEP - 2WD
J = JEEP - 4WD

BODY
74 = SPORT UTILITY 4-DR

ENGINE
ELF = 5.2L V8 MPI Engine
EML = 5.9L V8 MPI Engine
ERH = 4.0L Power Tech I-6 Engine

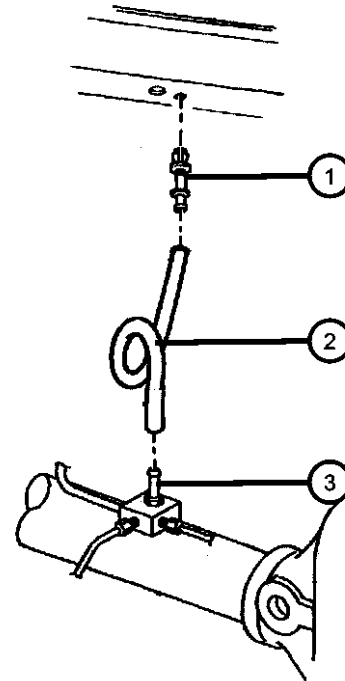
TRANSMISSION
DGK = 4-Spd. Automatic 42RE Transmission
DGW = 4-Spd. Automatic 4RE Transmission
DG0 = Transmissions - All Automatic

AR = use ase required - = Non illustrated part

1997 ZJ

Vent, Axle
Figure 3-310

| ITEM | PART NUMBER | QTY | LINE | SERIES | BODY | ENGINE | TRANS | TRIM | DESCRIPTION |
|------|-------------|-----|------|--------|------|--------|-------|------|--|
| 1 | J3187999 | 1 | | | | | | | VENT, AxleUpper |
| 2 | 04443176 | AR | | | | | | | HOSE, Fuel, .31 I.D. 50 Foot Roll, Vent Hose |
| 3 | 52067508 | 1 | | | | | | | BOLT, Axle VentLower |



GRAND CHEROKEE (ZJ)

SERIES LINE
 L = LOWLINE T = JEEP - 2WD
 J = JEEP - 4WD

BODY
 74 = SPORT UTILITY 4-DR

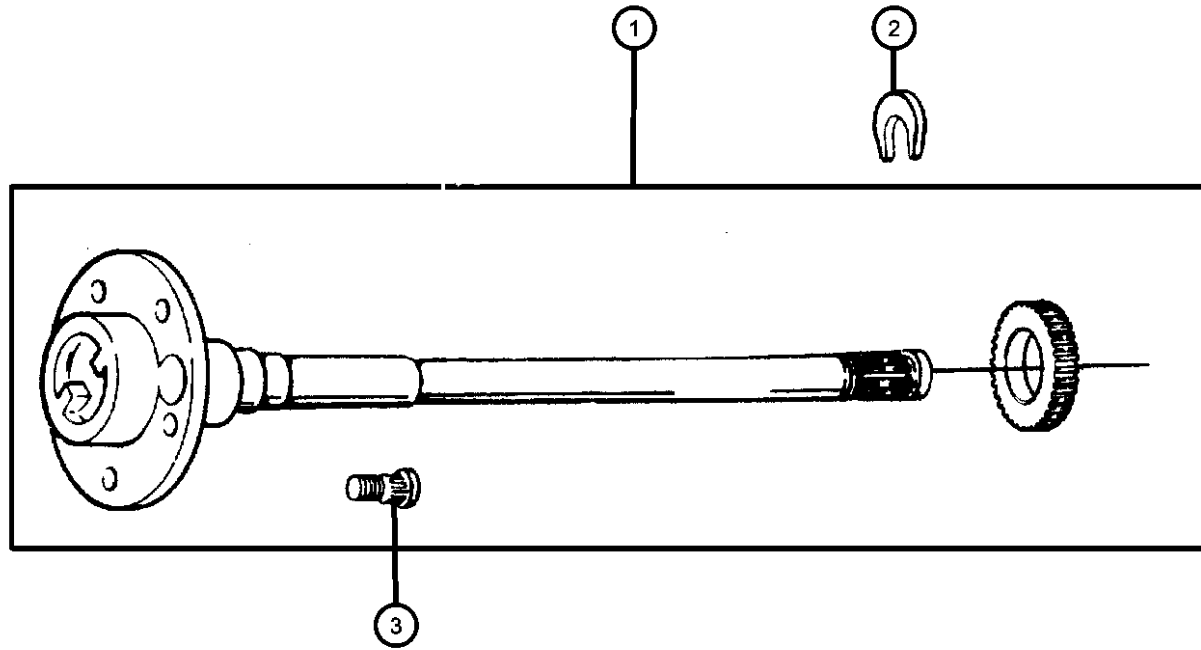
ENGINE
 ELF = 5.2L V8 MPI Engine
 EML = 5.9L V8 MPI Engine
 ERH = 4.0L Power Tech I-6 Engine

TRANSMISSION
 DGK = 4-Spd. Automatic 42RE Transmission
 DGW = 4-Spd. Automatic 4RE Transmission
 DG0 = Transmissions - All Automatic

AR = use ase required - = Non illustrated part

Shaft,Rear Axle Dana Model 35
Figure 3-410

| ITEM | PART NUMBER | QTY | LINE | SERIES | BODY | ENGINE | TRANS | TRIM | DESCRIPTION |
|------|-------------|-----|------|--------|------|--------|-------|------|----------------------|
| 1 | | | | | | | | | SHAFT, Axle |
| | 04762194 | 1 | | | | | | | Right |
| | 04762195 | 1 | | | | | | | Left |
| 2 | 05252505 | 2 | | | | | | | RETAINER, Axle Shaft |
| 3 | 04762841 | 10 | | | | | | | STUD, Hub |



GRAND CHEROKEE (ZJ)

SERIES LINE
L = LOWLINE T = JEEP - 2WD
 J = JEEP - 4WD

BODY
74 = SPORT UTILITY 4-DR

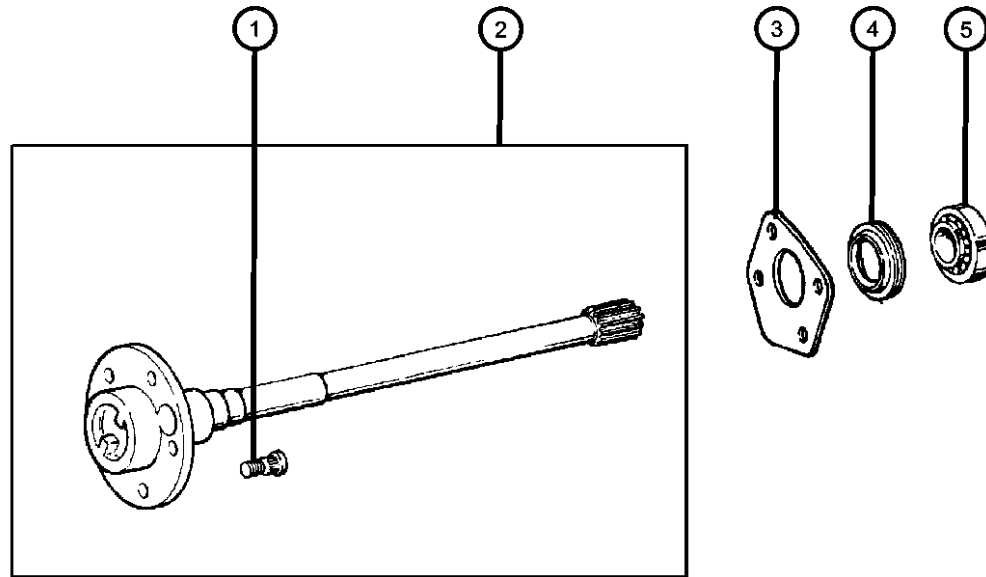
ENGINE
ELF = 5.2L V8 MPI Engine
EML = 5.9L V8 MPI Engine
ERH = 4.0L Power Tech I-6 Engine

TRANSMISSION
DGK = 4-Spd. Automatic 42RE Transmission
DGW = 4-Spd. Automatic 4RE Transmission
DG0 = Transmissions - All Automatic

AR = use ase required - = Non illustrated part

**Shaft,Rear Axle Dana Model 44
Figure 3-420**

| ITEM | PART NUMBER | QTY | LINE | SERIES | BODY | ENGINE | TRANS | TRIM | DESCRIPTION |
|------|-------------|-----|------|--------|------|--------|-------|------|------------------------|
| 1 | 04762841 | 10 | | | | | | | STUD, Hub |
| 2 | | | | | | | | | SHAFT, Axle |
| | 04856332 | 1 | | | | | | | Right |
| | 04856333 | 1 | | | | | | | Left |
| 3 | 04856344 | 2 | | | | | | | RETAINER, Axle Shaft |
| 4 | 04856336 | 2 | | | | | | | SEAL, Axle Drive Shaft |
| 5 | J8134586 | 2 | | | | | | | BEARING, Axle Shaft |



GRAND CHEROKEE (ZJ)

SERIES LINE
 L = LOWLINE T = JEEP - 2WD
 J = JEEP - 4WD

BODY
 74 = SPORT UTILITY 4-DR

ENGINE
 ELF = 5.2L V8 MPI Engine
 EML = 5.9L V8 MPI Engine
 ERH = 4.0L Power Tech I-6
 Engine

TRANSMISSION
 DGK = 4-Spd. Automatic 42RE
 Transmission
 DGW = 4-Spd. Automatic 4RE
 Transmission
 DG0 = Transmissions - All Automatic

AR = use ase required - = Non illustrated part

1997 ZJ

Group - 4

Parking Brake

Group - 4 Parking Brake

Group-Fig. No.

Illustration Title

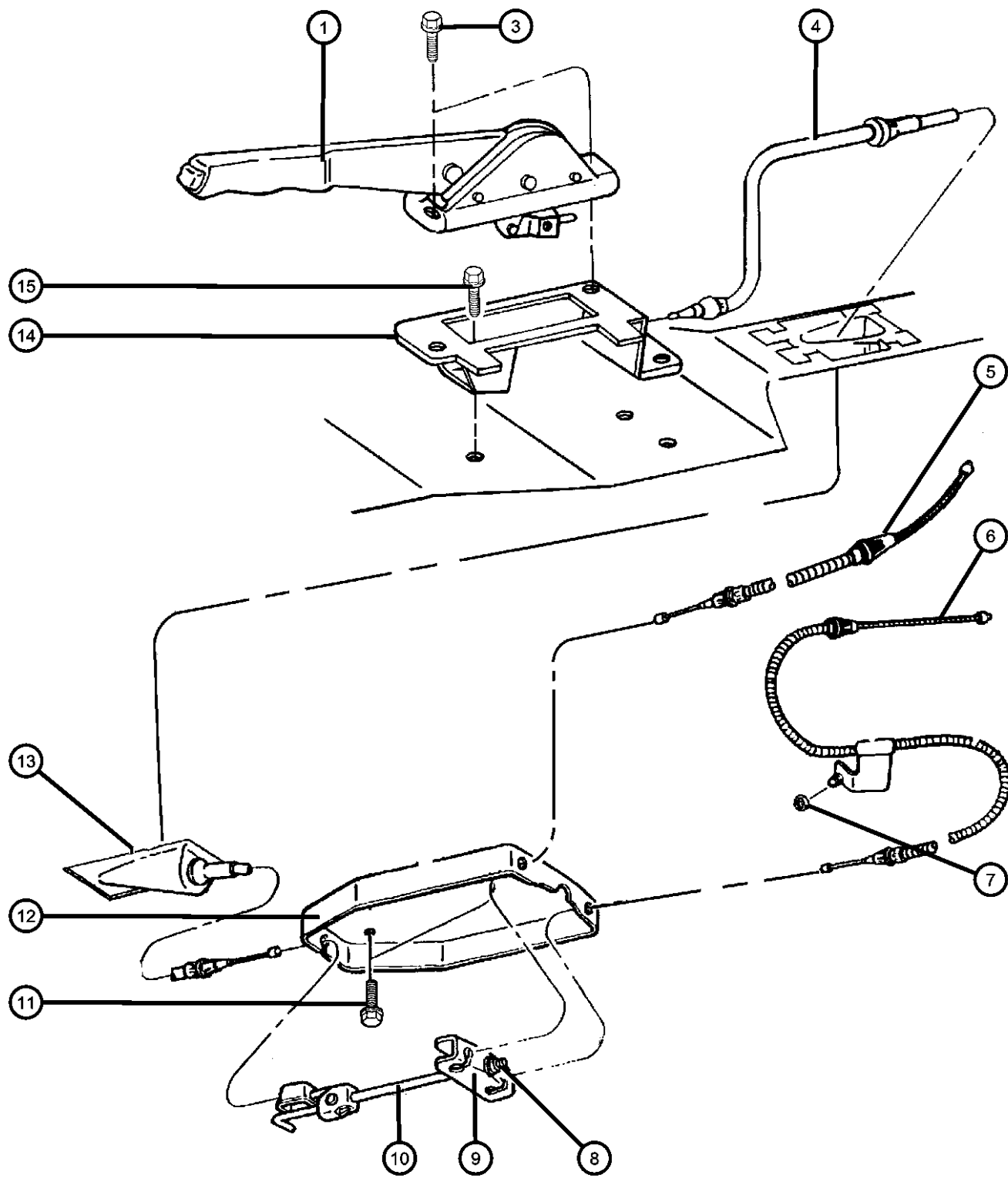
Parking Brake Lever and Cables

Lever Assembly And Cables Parking Brake Fig. 4 - 110

004-100
Parking Brake Lever and Cables



Lever Assembly And Cables Parking Brake
Figure 4-110



| ITEM | PART NUMBER | QTY | LINE | SERIES | BODY | ENGINE | TRANS | TRIM | DESCRIPTION |
|----------------------------|-------------|-----|------|--------|------|--------|-------|------|---|
| Note: ARV=Plus Decor Group | | | | | | | | | |
| 1 | 52127959 | 1 | | | | | | | LEVER, Park Brake [-ARV] |
| | 52128173 | 1 | | | | | | | [+ARV] |
| -2 | 52127960 | 1 | | | | | | | SWITCH, Parking Brake [-ARV] |
| | 56007089 | 1 | | | | | | | [+ARV] |
| 3 | 06502640 | 2 | | | | | | | BOLT, Hex Flange Head, M6x1.0x17, Park Brake Lever to Mounting Bracket |
| 4 | 52008232 | 1 | | | | | | | CABLE, Parking BrakeFront |
| 5 | 52008905 | 1 | | | | | | | CABLE, Parking BrakeLeft, Rear |
| 6 | 52008904 | 1 | | | | | | | CABLE, Parking BrakeRight, Rear |
| 7 | 06101695 | 2 | | | | | | | NUT, Hex Flange Lock, M8x1.25, Rear Cable mounting Nut to Lower Control Arm, Right & Left |
| 8 | 06502499 | 1 | | | | | | | NUT AND WASHER, Hex Lock Nut-Coned Lock Washer, M8 x 1.25, Equalizer to T Bolt Attaching |
| 9 | 52007532 | 1 | | | | | | | EQUALIZER, Parking Brake Cable |
| 10 | 52007842 | 1 | | | | | | | TENSIONER, Parking Brake Cable |
| 11 | 06100293 | 2 | | | | | | | BOLT AND CONED WASHER, Hex Head, M8x14x17, Cable End Support Bracket Attaching |
| 12 | 52127952 | 1 | | | | | | | BRACKET, Cable, Cable End Support |
| 13 | 52005874 | 1 | | | | | | | INSERT, Parking Brake Cable |
| 14 | 52078884 | 1 | | | | | | | BRACKET, Parking LeverMounting |
| 15 | 06502640 | 3 | | | | | | | BOLT, Hex Flange Head, M6x1.0x17, Park Brake Mounting Bracket to Floor Pan |

| | | | |
|----------------------------|----------------------------------|-------------------------|--|
| GRAND CHEROKEE (ZJ) | | | |
| SERIES | LINE | BODY | ENGINE |
| L = LOWLINE | T = JEEP - 2WD J = JEEP - 4WD | 74 = SPORT UTILITY 4-DR | ELF = 5.2L V8 MPI Engine EML = 5.9L V8 MPI Engine ERH = 4.0L Power Tech I-6 Engine |
| | | | TRANSMISSION DGK = 4-Spd. Automatic 42RE Transmission DGW = 4-Spd. Automatic 4RE Transmission DG0 = Transmissions - All Automatic |

AR = use ase required - = Non illustrated part

Group - 5

Service Brakes

Group - 5 Service Brakes

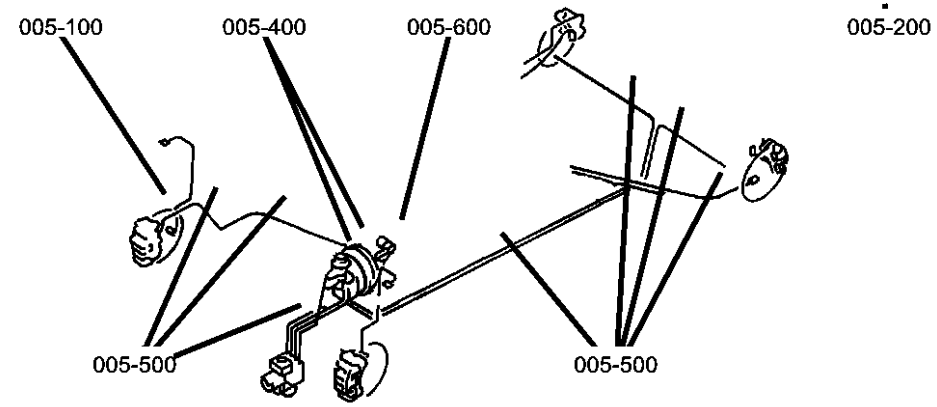


Illustration Title

Group-Fig. No.

Front Brakes

Brakes,Front Fig. 5 - 110

Rear Brakes

Brakes,Rear Fig. 5 - 210

Power Brake Booster

Booster..... Fig. 5 - 310

Brake Master Cylinder

Master Cylinder..... Fig. 5 - 410

Hydraulic Control Unit Anti-lock Fig. 5 - 420

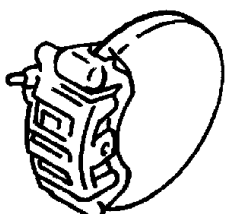
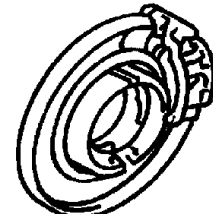
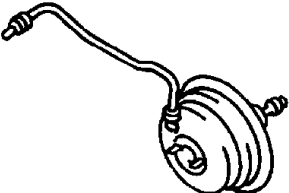
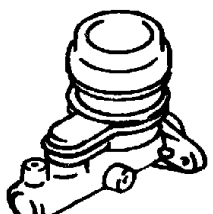
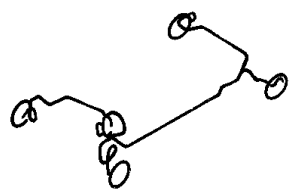

Brake Lines and Hoses

Brake Lines And Hoses,Front Fig. 5 - 510

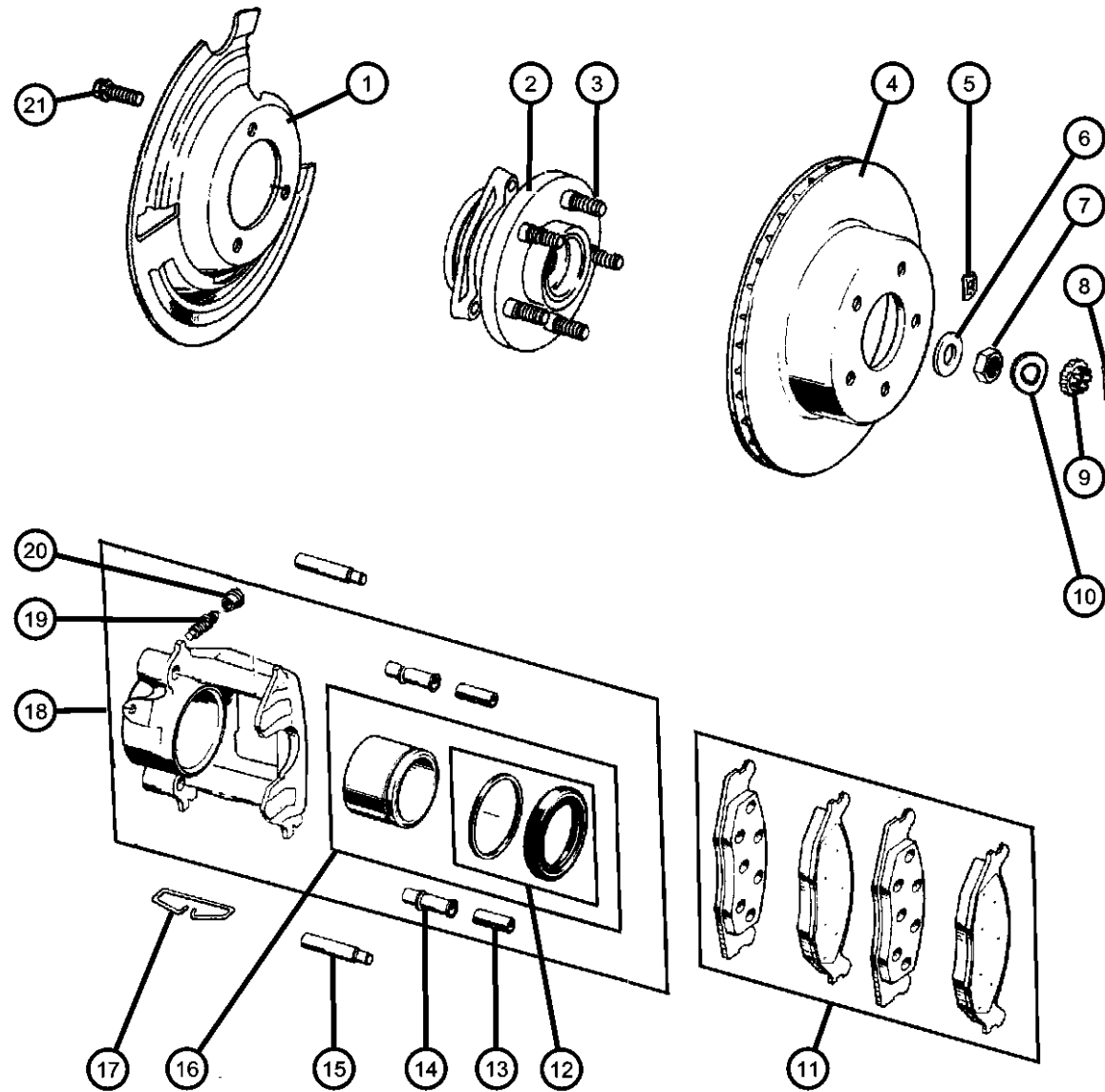
Brake Lines And Hoses,Rear Fig. 5 - 520

Brake Pedals

Brake Pedal..... Fig. 5 - 610

| | | | |
|--|--|--|---|
| <p>005-100 Front Brakes</p>  | <p>005-200 Rear Brakes</p>  | <p>005-300 Power Brake Booster</p>  | <p>005-400 Brake Master Cylinder</p>  |
| <p>005-500 Brake Lines and Hoses</p>  | <p>005-600 Brake Pedals</p>  | | |

Brakes,Front
Figure 5-110



| ITEM | PART NUMBER | QTY | LINE | SERIES | BODY | ENGINE | TRANS | TRIM | DESCRIPTION |
|------|-------------|-----|------|--------|------|--------|-------|------|---------------------------------------|
| 1 | | | | | | | | | SHIELD, Brake |
| | 52005476 | 1 | T | | | | | | Right |
| | | 1 | J | | | | | | Right |
| | 52005477 | 1 | T | | | | | | Left |
| | | 1 | J | | | | | | Left |
| 2 | | | | | | | | | HUB AND BEARING, Brake |
| | 53007449 | 2 | J | | | | | | |
| | V2507449AA | | | | | | | | Mopar V-Line Alternative Part |
| | | 2 | T | | | | | | |
| | V2507449AA | | | | | | | | Mopar V-Line Alternative Part |
| 3 | | | | | | | | | STUD, Hub |
| | 53007463 | 10 | J | | | | | | |
| | | 10 | T | | | | | | |
| 4 | | | | | | | | | ROTOR, Brake |
| | 52008440 | 2 | J | | | | | | |
| | V5015965AB | | | | | | | | Mopar V-Line Alternative Brake Rotors |
| | | 2 | T | | | | | | |
| | V5015965AB | | | | | | | | Mopar V-Line Alternative Brake Rotors |
| 5 | 06026430 | AR | | | | | | | NUT, Push |
| 6 | | | | | | | | | WASHER, Flat |
| | J4200096 | 2 | J | | | | | | |
| | | 2 | T | | | | | | |
| 7 | | | | | | | | | NUT, Hex |
| | J4200095 | 2 | J | | | | | | |
| | | 2 | T | | | | | | |
| 8 | | | | | | | | | PIN, Cotter, M4x40.00 |
| | 11010069 | 6 | J | | | | | | |
| | | 6 | T | | | | | | |
| 9 | | | | | | | | | RETAINER, Hub Nut |
| | J4200097 | 2 | J | | | | | | |
| | | 2 | T | | | | | | |
| 10 | | | | | | | | | WASHER, Wave |
| | 04740749 | 2 | J | | | | | | |
| | | 2 | T | | | | | | |

GRAND CHEROKEE (ZJ)

SERIES LINE
L = LOWLINE T = JEEP - 2WD
J = JEEP - 4WD

BODY
74 = SPORT UTILITY 4-DR

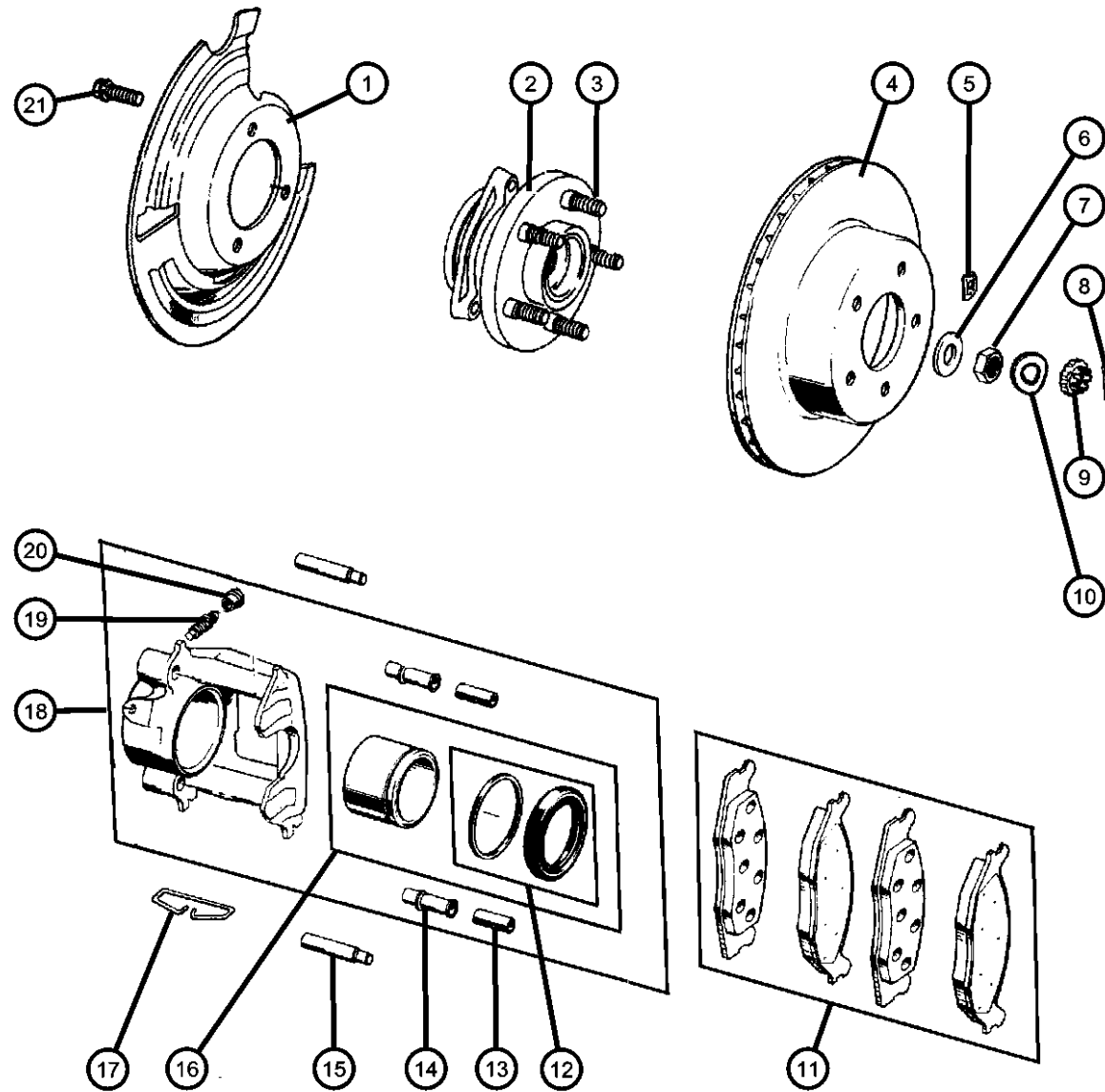
ENGINE
ELF = 5.2L V8 MPI Engine
EML = 5.9L V8 MPI Engine
ERH = 4.0L Power Tech I-6 Engine

TRANSMISSION
DGK = 4-Spd. Automatic 42RE
Transmission
DGW = 4-Spd. Automatic 4RE
Transmission
DG0 = Transmissions - All Automatic

AR = use ase required - = Non illustrated part

1997 ZJ

**Brakes,Front
Figure 5-110**



| ITEM | PART NUMBER | QTY | LINE | SERIES | BODY | ENGINE | TRANS | TRIM | DESCRIPTION |
|------|-------------|-----|------|--------|------|--------|-------|------|---|
| 11 | 04883344AC | 1 | T | | | | | | PAD KIT, Front Disc Brake |
| | VE101344 | | | | | | | | Mopar V-Line Alternative Part E.U. R-90 Regulation Compliant |
| | V1010058AB | | | | | | | | Mopar V-Line Alternative Part |
| | BHKH5605 | | | | | | | | Mopar V-Line Alternative Part Disc Hardware |
| | BHKH5066 | | | | | | | | Mopar V-Line Alternative Part Caliper Bolts |
| | VK298584AA | | | | | | | | Mopar Loaded Brake Caliper Kit (2 Calipers, Brake Friction) |
| | V3010058 | | | | | | | | Mopar V-Line Alternative Part Ceramic |
| | VXJ15965AB | | | | | | | | Make It New Brake Kits (w/Composite Rotors) |
| | VCXJ5965AB | | | | | | | | Make It Ceramic Brake Kit (w/Composite Rotors) |
| | | 1 | J | | | | | | |
| | VE101344 | | | | | | | | Mopar V-Line Alternative Part E.U. R-90 Regulation Compliant |
| | V1010058AB | | | | | | | | Mopar V-Line Alternative Part |
| | BHKH5605 | | | | | | | | Mopar V-Line Alternative Part Disc Hardware |
| | BHKH5066 | | | | | | | | Mopar V-Line Alternative Part Caliper Bolts |
| | VK298584AA | | | | | | | | Mopar Loaded Brake Caliper Kit (2 Calipers, Brake Friction) |
| | V3010058 | | | | | | | | Mopar V-Line Alternative Part Ceramic |
| | VXJ15965AB | | | | | | | | Make It New Brake Kits (w/Composite Rotors) |
| | VCXJ5965AB | | | | | | | | Make It Ceramic Brake Kit (w/Composite Rotors) |
| 12 | J8133852 | 1 | T | | | | | | BOOT AND SEAL, Disc Brake |
| | | 1 | J | | | | | | |
| 13 | 04383471 | 1 | T | | | | | | BUSHING, Disc Brake Caliper |
| | | 1 | J | | | | | | |
| 14 | 04423573 | 1 | T | | | | | | SLEEVE, Disc Brake Caliper |
| | | 1 | J | | | | | | |

GRAND CHEROKEE (ZJ)

SERIES LINE
L = LOWLINE T = JEEP - 2WD
J = JEEP - 4WD

BODY
74 = SPORT UTILITY 4-DR

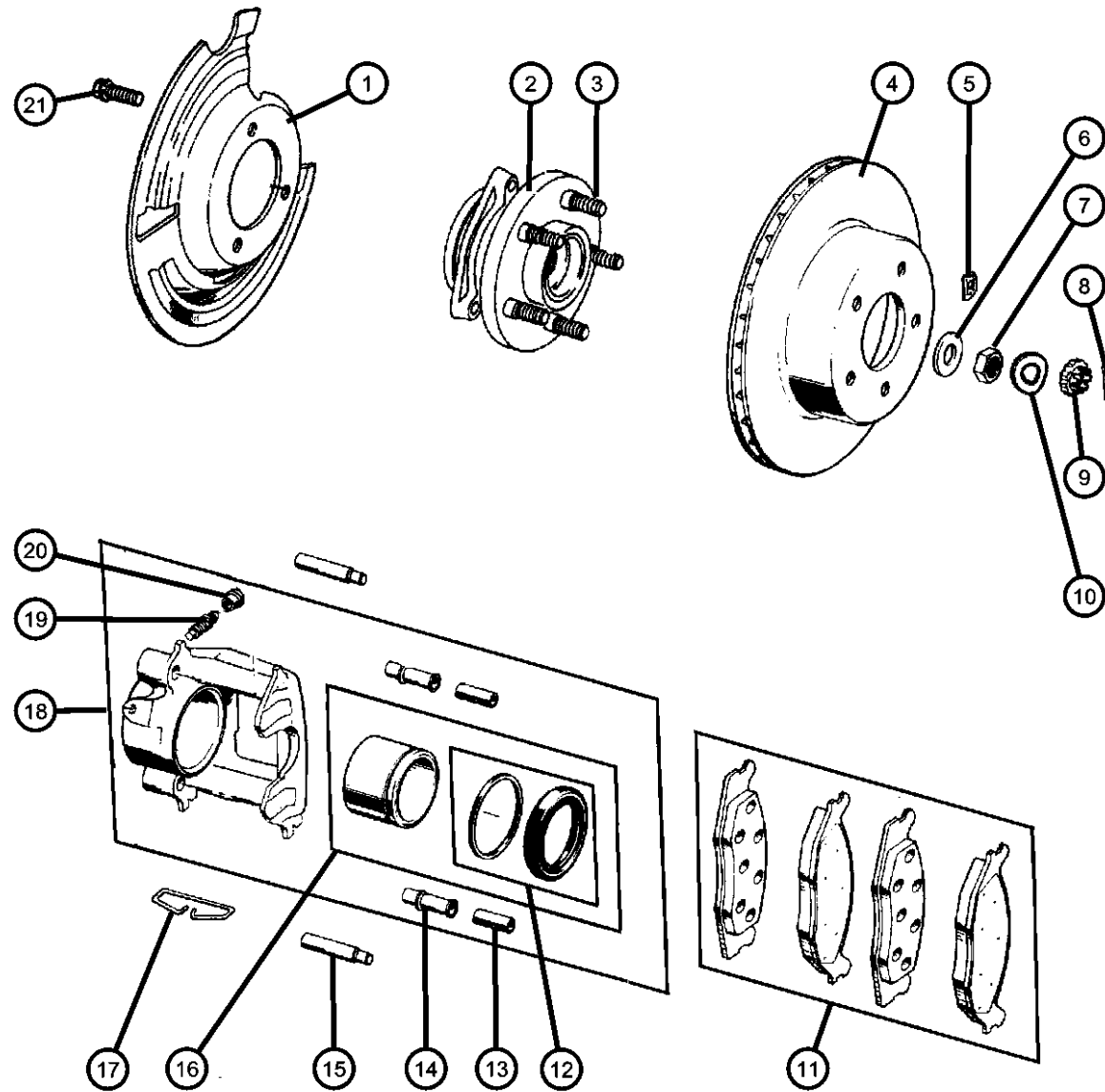
ENGINE
ELF = 5.2L V8 MPI Engine
EML = 5.9L V8 MPI Engine
ERH = 4.0L Power Tech I-6 Engine

TRANSMISSION
DGK = 4-Spd. Automatic 42RE
Transmission
DGW = 4-Spd. Automatic 4RE
Transmission
DG0 = Transmissions - All Automatic

AR = use ase required - = Non illustrated part

1997 ZJ

Brakes,Front
Figure 5-110



| ITEM | PART NUMBER | QTY | LINE | SERIES | BODY | ENGINE | TRANS | TRIM | DESCRIPTION |
|------|-------------|-----|------|--------|------|--------|-------|------|---|
| 15 | 05253000 | 4 | J | | | | | | PIN, Caliper |
| | | 4 | T | | | | | | |
| 16 | 05252614 | 1 | T | | | | | | PISTON, Brake |
| | | 1 | J | | | | | | |
| 17 | J3239865 | 1 | T | | | | | | CLIP, Brake Caliper |
| | | 1 | J | | | | | | |
| 18 | 05252984 | 1 | T | | | | | | CALIPER, Disc Brake |
| | R5252984 | | | | | | | | Right |
| | VK298584AA | | | | | | | | Mopar Remanufactured Part |
| | | 1 | J | | | | | | Mopar Loaded Brake Caliper Kit (2 Calipers, Brake Friction) Right |
| | R5252984 | | | | | | | | Mopar Remanufactured Part |
| | VK298584AA | | | | | | | | Mopar Loaded Brake Caliper Kit (2 Calipers, Brake Friction) Left |
| | 05252985 | 1 | T | | | | | | Left |
| | R5252985 | | | | | | | | Mopar Remanufactured Part |
| | VK298584AA | | | | | | | | Mopar Loaded Brake Caliper Kit (2 Calipers, Brake Friction) Left |
| | | 1 | J | | | | | | Mopar Remanufactured Part |
| | R5252985 | | | | | | | | Mopar Loaded Brake Caliper Kit (2 Calipers, Brake Friction) Left |
| 19 | J3203313 | 1 | T | | | | | | SCREW, Bleeder |
| | | 1 | J | | | | | | |
| 20 | 04238717 | 1 | T | | | | | | CAP, Bleeder |
| | | 1 | J | | | | | | |
| 21 | 34201535 | 6 | J | | | | | | BOLT |
| | | 6 | T | | | | | | Hub and Bearing to Knuckle Mounting |
| | | | | | | | | | Hub and Bearing to Knuckle Mounting |

GRAND CHEROKEE (ZJ)

SERIES LINE
L = LOWLINE T = JEEP - 2WD
J = JEEP - 4WD

BODY
74 = SPORT UTILITY 4-DR

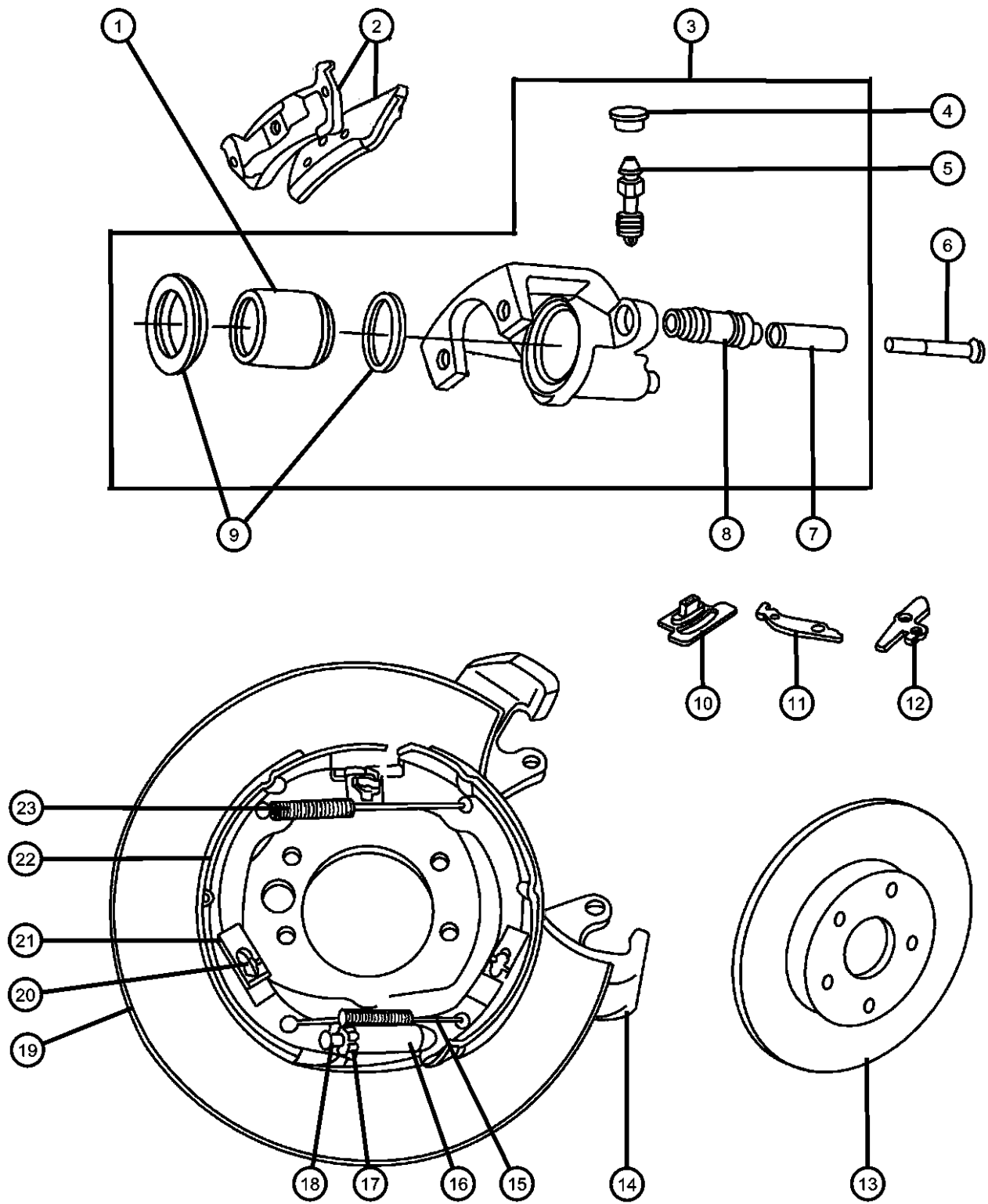
ENGINE
ELF = 5.2L V8 MPI Engine
EML = 5.9L V8 MPI Engine
ERH = 4.0L Power Tech I-6 Engine

TRANSMISSION
DGK = 4-Spd. Automatic 42RE Transmission
DGW = 4-Spd. Automatic 4RE Transmission
DG0 = Transmissions - All Automatic

AR = use ase required - = Non illustrated part

1997 ZJ

**Brakes,Rear
Figure 5-210**



| ITEM | PART NUMBER | QTY | LINE | SERIES | BODY | ENGINE | TRANS | TRIM | DESCRIPTION |
|------|-------------|-----|------|--------|------|--------|-------|------|---|
| 1 | 04762111 | 1 | | | | | | | PISTON, Brake |
| 2 | 04883717AA | 1 | | | | | | | SHOE AND LINING, Rear Disc Brake |
| | VRZJ2344AB | | | | | | | | Mopar Make it New Rear |
| | V4013444 | | | | | | | | Mopar V-Line Alternative Part Ceramic |
| | BHKH5593 | | | | | | | | Mopar V-Line Alternative Part Disc Hardware |
| | BHKH5066 | | | | | | | | Mopar V-Line Alternative Part Caliper Bolts |
| | V2012344AB | | | | | | | | Mopar V-Line Alternative Part |
| 3 | | | | | | | | | CALIPER, Disc Brake |
| | 04762102 | 1 | | | | | | | Right |
| | 04762103 | 1 | | | | | | | Left |
| 4 | 04762113 | 1 | | | | | | | CAP, Bleeder |
| 5 | J0920463 | 1 | | | | | | | BLEEDER SCREW, Brake |
| 6 | 05253000 | 4 | | | | | | | PIN, Caliper |
| 7 | 04762105 | 1 | | | | | | | SLEEVE, Brake Caliper |
| 8 | 04762106 | 1 | | | | | | | BUSHING, Caliper |
| 9 | 04762110 | 1 | | | | | | | BOOT AND SEAL PACKAGE, Disc Brake |
| 10 | 04762124 | 1 | | | | | | | BOOT, Parking Brake Lever |
| 11 | | | | | | | | | LEVER, Park Brake Adjusting |
| | 04762130 | 1 | | | | | | | Cable, Right |
| | 04762131 | 1 | | | | | | | Cable, Left |
| 12 | 04762132 | 1 | | | | | | | LEVER, Park Brake Adjusting, Cam |
| 13 | 52008184 | 2 | | | | | | | ROTOR, Brake |
| | V5018184AA | | | | | | | | Mopar V-Line Alternative Brake Rotors |
| 14 | | | | | | | | | ADAPTER, Disc Brake Caliper |
| | 04796343 | 1 | | | | | | | Left |
| | 04796342 | 1 | | | | | | | Right |
| 15 | 04762116 | 1 | | | | | | | SPRING, Park Brake Shoe ReturnLower |
| 16 | 04762118 | 1 | | | | | | | NUT, Parking Brake Adjusting |
| 17 | 04762120 | 1 | | | | | | | SCREW, Parking Brake, Adjusting |
| 18 | 04762115 | 1 | | | | | | | SOCKET, Parking Brake, Adjusting |
| 19 | | | | | | | | | PLATE, Brake Backing |

GRAND CHEROKEE (ZJ)

SERIES LINE
 L = LOWLINE T = JEEP - 2WD
 J = JEEP - 4WD

BODY
 74 = SPORT UTILITY 4-DR

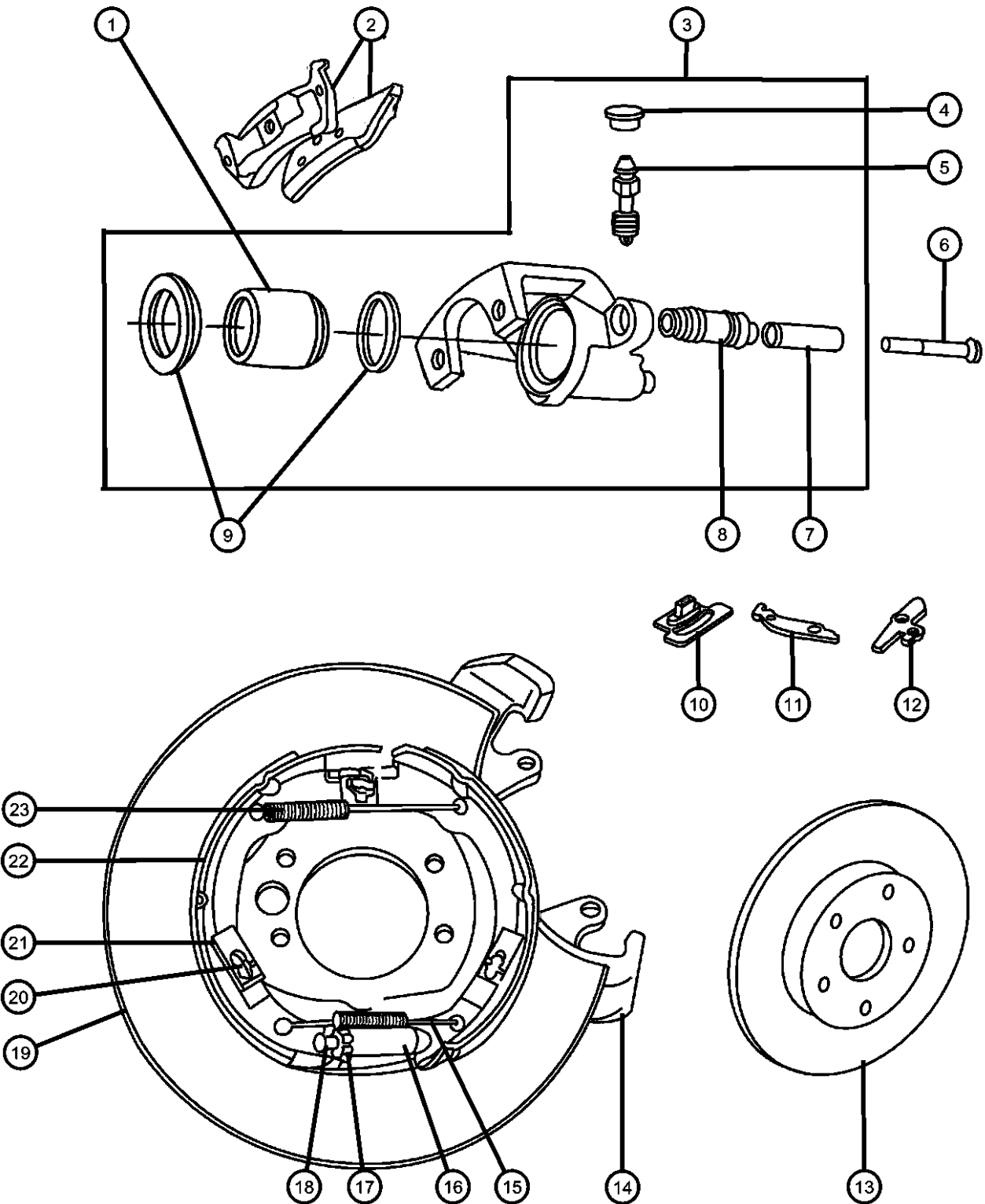
ENGINE
 ELF = 5.2L V8 MPI Engine
 EML = 5.9L V8 MPI Engine
 ERH = 4.0L Power Tech I-6 Engine

TRANSMISSION
 DGK = 4-Spd. Automatic 42RE Transmission
 DGW = 4-Spd. Automatic 4RE Transmission
 DG0 = Transmissions - All Automatic

AR = use ase required - = Non illustrated part

Brakes,Rear
Figure 5-210

| ITEM | PART NUMBER | QTY | LINE | SERIES | BODY | ENGINE | TRANS | TRIM | DESCRIPTION |
|------|-------------|-----|------|--------|------|--------|-------|------|-------------------------------------|
| | 04762128 | 1 | | | | | | | Right |
| | 04762129 | 1 | | | | | | | Left |
| 20 | 04762126 | 1 | | | | | | | PIN, Brake Shoe Hold Down |
| 21 | 04762125 | 1 | | | | | | | CLIP, Parking Brake Hold Down |
| 22 | 04796337 | 1 | | | | | | | SHOE AND LINING KIT, Parking Brake |
| | BHKP7002 | | | | | | | | Mopar Parking Brake Hardware Kit |
| 23 | 04762127 | 1 | | | | | | | SPRING, Park Brake Shoe ReturnUpper |
| -24 | 04762121 | 1 | | | | | | | PLUG, Brake Adjusting Hole |
| -25 | 56027722 | 1 | | | | | | | SENSOR, Anti-Lock Brake |
| | 56027723 | 1 | | | | | | | Right |
| -26 | 04762191 | 2 | | | | | | | Left BOLT, ABS Sensor, Mounting |



GRAND CHEROKEE (ZJ)
 SERIES LINE
 L = LOWLINE T = JEEP - 2WD
 J = JEEP - 4WD

BODY
 74 = SPORT UTILITY 4-DR

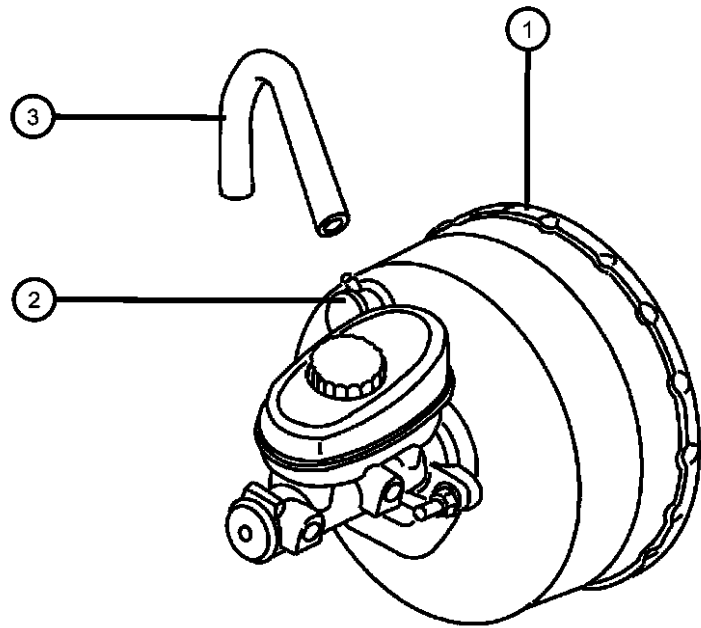
ENGINE
 ELF = 5.2L V8 MPI Engine
 EML = 5.9L V8 MPI Engine
 ERH = 4.0L Power Tech I-6 Engine

TRANSMISSION
 DGK = 4-Spd. Automatic 42RE Transmission
 DGW = 4-Spd. Automatic 4RE Transmission
 DG0 = Transmissions - All Automatic

AR = use ase required - = Non illustrated part

Booster
Figure 5-310

| ITEM | PART NUMBER | QTY | LINE | SERIES | BODY | ENGINE | TRANS | TRIM | DESCRIPTION |
|------|-------------|-----|------|--------|------|--------|-------|------|--|
| 1 | 04761786 | 1 | | | | | | | BOOSTER, Power Brake |
| 2 | 04713085 | 1 | | | | | | | VALVE, Check, Elbow, with Grommet |
| 3 | 52008569 | 1 | | | | | | | HOSE, Brake Booster, Intake Manifold to Booster |
| -4 | J4003909 | 4 | | | | | | | NUT, Hex Flange With Serration, Booster to Dash Mounting |



GRAND CHEROKEE (ZJ)

SERIES LINE
L = LOWLINE T = JEEP - 2WD
 J = JEEP - 4WD

BODY
74 = SPORT UTILITY 4-DR

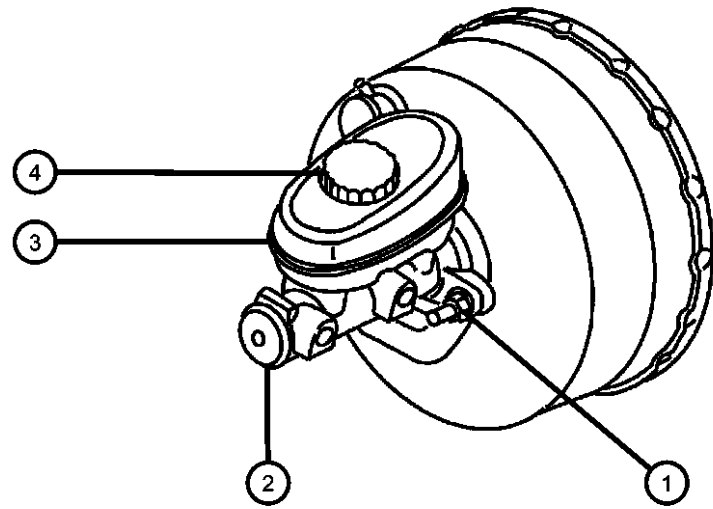
ENGINE
ELF = 5.2L V8 MPI Engine
EML = 5.9L V8 MPI Engine
ERH = 4.0L Power Tech I-6 Engine

TRANSMISSION
DGK = 4-Spd. Automatic 42RE Transmission
DGW = 4-Spd. Automatic 4RE Transmission
DG0 = Transmissions - All Automatic

AR = use ase required - = Non illustrated part

**Master Cylinder
Figure 5-410**

| ITEM | PART NUMBER | QTY | LINE | SERIES | BODY | ENGINE | TRANS | TRIM | DESCRIPTION |
|------|------------------------------------|-----|------|--------|------|--------|-------|------|---|
| 1 | 06100517 | 2 | | | | | | | NUT, Hex Flange Lock, M8 Phosphate, Master Cylinder to Booster Mounting |
| 2 | 04761941 R4761941 V1101941AA | 1 | | | | | | | MASTER CYLINDER, Brake Mopar Remanufactured Part Mopar Alternative Part - Master Cylinder |
| 3 | 04761942 | 1 | | | | | | | RESERVOIR, Brake Master Cylinder |
| 4 | 04761944 | 1 | | | | | | | CAP, Master Cylinder Reservoir |
| -5 | J4003909 | 4 | | | | | | | NUT, Hex Flange With Serration, Booster to Dash Mounting |



GRAND CHEROKEE (ZJ)

SERIES LINE
L = LOWLINE T = JEEP - 2WD
 J = JEEP - 4WD

BODY
74 = SPORT UTILITY 4-DR

ENGINE
ELF = 5.2L V8 MPI Engine
EML = 5.9L V8 MPI Engine
ERH = 4.0L Power Tech I-6 Engine

TRANSMISSION
DGK = 4-Spd. Automatic 42RE Transmission
DGW = 4-Spd. Automatic 4RE Transmission
DG0 = Transmissions - All Automatic

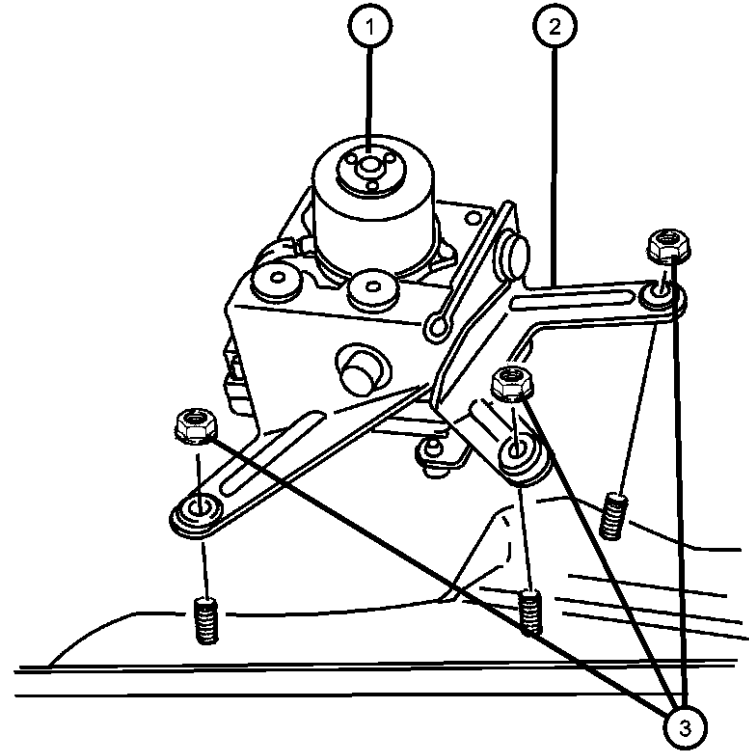
AR = use ase required - = Non illustrated part

**Hydraulic Control Unit Anti-lock
Figure 5-420**

| ITEM | PART NUMBER | QTY | LINE | SERIES | BODY | ENGINE | TRANS | TRIM | DESCRIPTION |
|------|-------------|-----|------|--------|------|--------|-------|------|-------------|
|------|-------------|-----|------|--------|------|--------|-------|------|-------------|

NOTE: For Anti-Lock Brake Awareness Video Tape Use Part# 52008713.

| | | | | | | | | | |
|---|----------|---|--|--|--|--|--|--|--|
| 1 | 52009047 | 1 | | | | | | | CONTROL UNIT, Anti-Lock Brake |
| 2 | 52009052 | 1 | | | | | | | BRACKET, Hydraulic Control Unit |
| 3 | 34201711 | 3 | | | | | | | NUT, Hex Flange, M8x1.25, HCU Mounting |



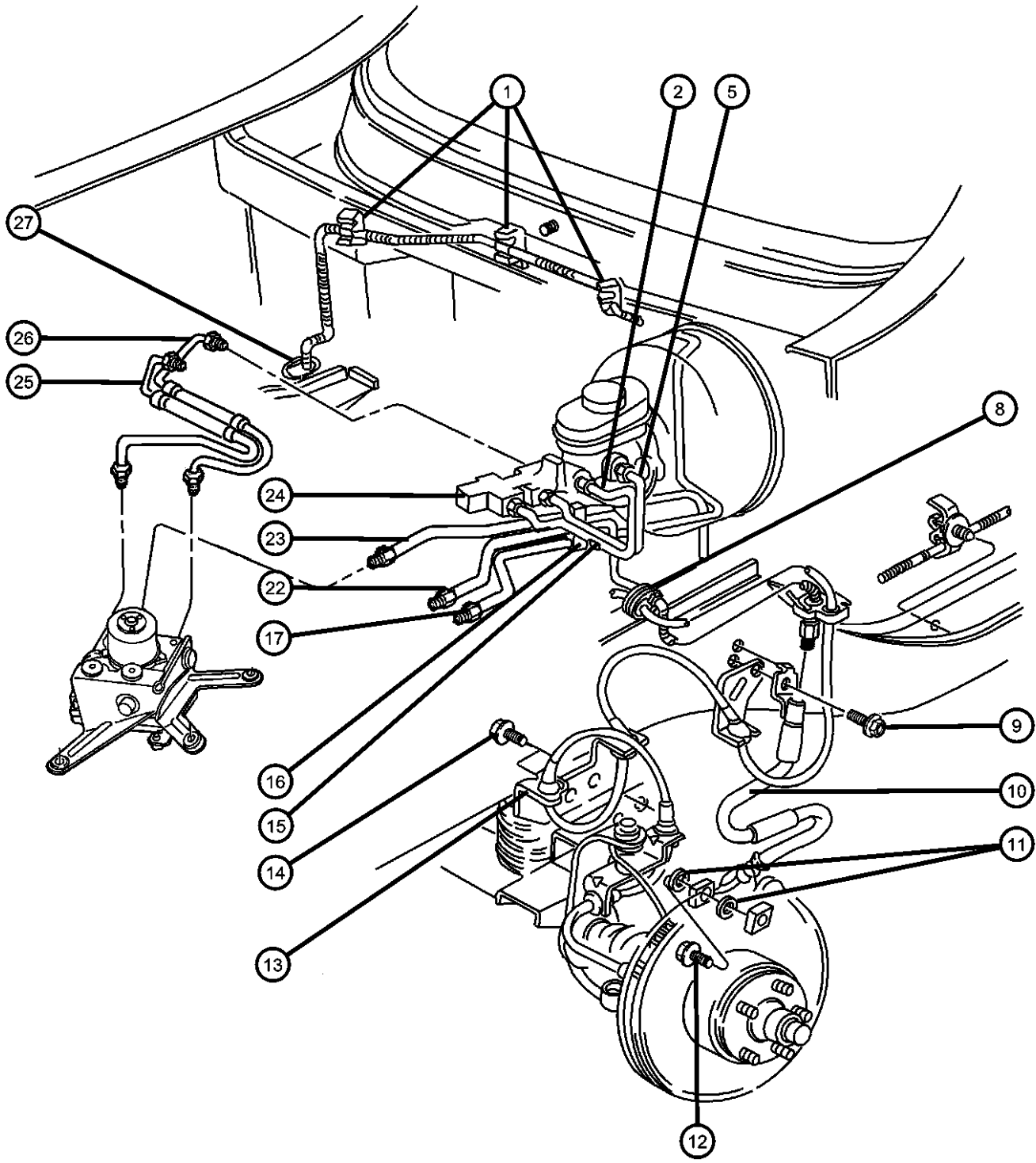
GRAND CHEROKEE (ZJ)

| | | | | |
|-------------|----------------------------------|-------------------------|--|--|
| SERIES | LINE | BODY | ENGINE | TRANSMISSION |
| L = LOWLINE | T = JEEP - 2WD J = JEEP - 4WD | 74 = SPORT UTILITY 4-DR | ELF = 5.2L V8 MPI Engine EML = 5.9L V8 MPI Engine ERH = 4.0L Power Tech I-6 Engine | DGK = 4-Spd. Automatic 42RE Transmission DGW = 4-Spd. Automatic 4RE Transmission DG0 = Transmissions - All Automatic |

AR = use ase required - = Non illustrated part

1997 ZJ

**Brake Lines And Hoses,Front
Figure 5-510**



| ITEM | PART NUMBER | QTY | LINE | SERIES | BODY | ENGINE | TRANS | TRIM | DESCRIPTION |
|------|-------------|-----|------|--------|------|--------|-------|------|---|
| 1 | 52009077 | 3 | | | | | | | CLIP, Brake Tube Firewall |
| 2 | 52008939 | 1 | | | | | | | TUBE, Brake, M/Cyl. to Combo Valve (Secondary) |
| -3 | 06503707 | 1 | | | | | | | NUT, Brake Line, Fit 5200939 Tube |
| -4 | 06034627 | 1 | | | | | | | NUT, Brake Line, Fit 5200939 Tube |
| 5 | 52008603 | 1 | | | | | | | TUBE, Brake, M/Cyl. to Combo Valve (Primary) |
| -6 | 06034868 | 1 | | | | | | | NUT, Brake Line, Fits 52008603 Tube |
| -7 | 06503399 | 1 | | | | | | | NUT, Brake Line, Fits 52008603 Tube |
| 8 | 52008339 | 2 | | | | | | | GROMMET, Front Brake Tube, Brake Tube to Wheelhouse, Left |
| 9 | 06502711 | 2 | | | | | | | BOLT, ABS Sensor |
| 10 | | | | | | | | | HOSE, Brake |
| | 52008674 | 1 | | | | | | | Right |
| | V1128674AA | | | | | | | | Mopar V-Line Alternative Brake Hoses and Tubes |
| | 52008675 | 1 | | | | | | | Left |
| | V1128675AA | | | | | | | | Mopar V-Line Alternative Brake Hoses and Tubes |
| 11 | J3237672 | 8 | | | | | | | GASKET, Brake Hose To Caliper, Brake Hose Mounting |
| 12 | J4006700 | 4 | | | | | | | BOLT, Banjo, Brake Hose Mounting |
| 13 | | | | | | | | | BRACKET, Brake Sensor |
| | 56026996 | 1 | | | | | | | Right |
| | 56026997 | 1 | | | | | | | Left |
| 14 | 06502655 | 4 | | | | | | | SCREW, Hex Head, M6x1x15, Brake Sensor Bracket Mounting |
| 15 | J4006034 | 1 | | | | | | | CLIP, Brake Tube, 2 Way |
| 16 | 52008193 | 2 | | | | | | | CLIP, Brake Tube, 3 Way |
| 17 | 01843251 | 1 | | | | | | | TUBE, Steel, .187 25 Foot Roll, OEM Number was 52008960 |
| -18 | J3195677 | 1 | | | | | | | NUT, Inverted Flare, .375-24, Fits 52008960 Tube |
| -19 | 03879283 | 1 | | | | | | | COVER, Brake Tube Wire, .18, Fits 52008960 Tube |
| -20 | 06503707 | 1 | | | | | | | NUT, Brake Line, Fits 52008960 Tube |
| -21 | 52127936 | 1 | | | | | | | SLEEVE, Braided, Fits 52008960 Tube |
| 22 | 52009223 | 1 | | | | | | | TUBE, Brake, Brake Hose Tube to HCU, Left |

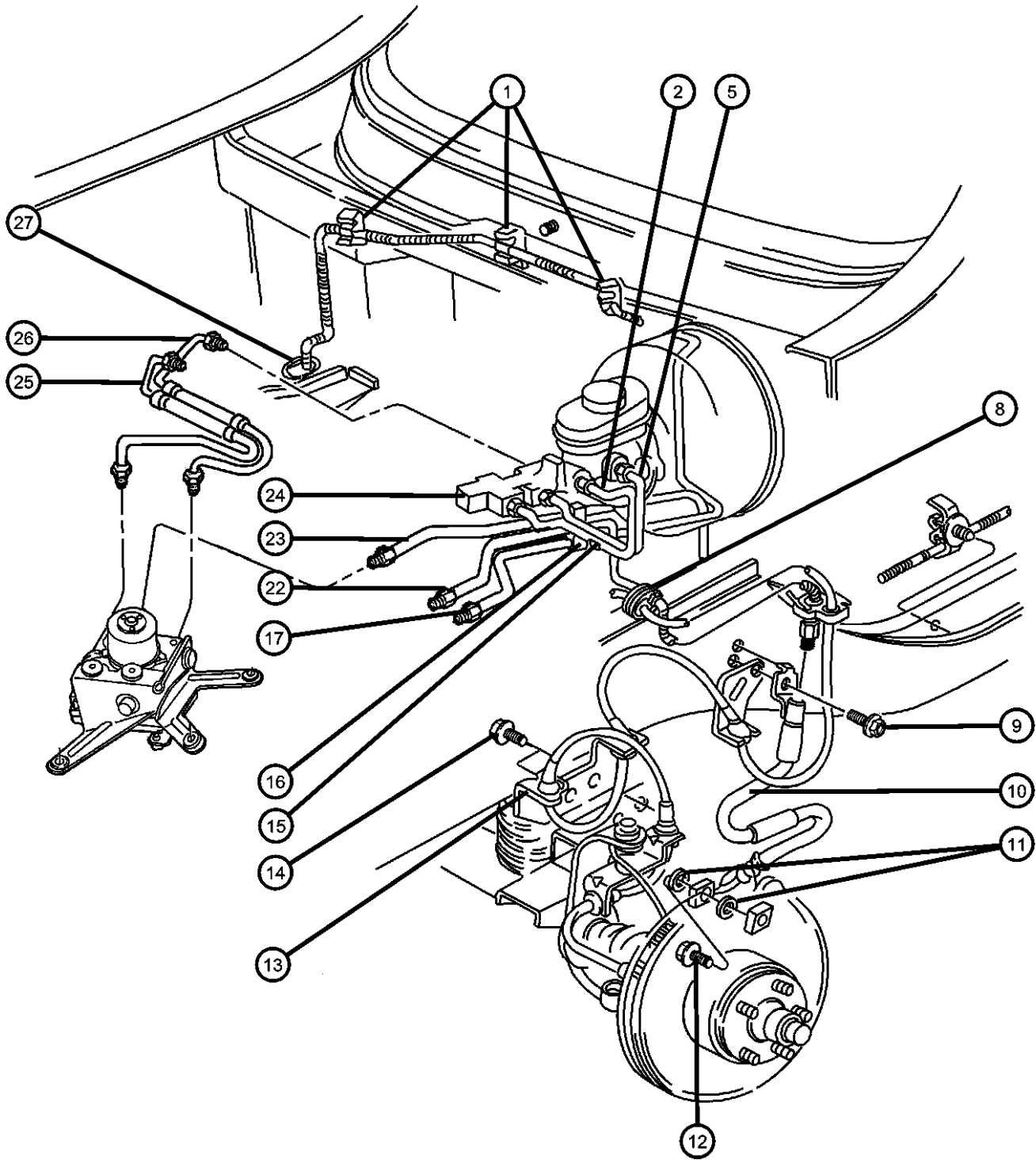
GRAND CHEROKEE (ZJ)

| | | | | |
|-------------|----------------------------------|-------------------------|--|--|
| SERIES | LINE | BODY | ENGINE | TRANSMISSION |
| L = LOWLINE | T = JEEP - 2WD J = JEEP - 4WD | 74 = SPORT UTILITY 4-DR | ELF = 5.2L V8 MPI Engine EML = 5.9L V8 MPI Engine ERH = 4.0L Power Tech I-6 Engine | DGK = 4-Spd. Automatic 42RE Transmission DGW = 4-Spd. Automatic 4RE Transmission DG0 = Transmissions - All Automatic |

AR = use ase required - = Non illustrated part

**Brake Lines And Hoses,Front
Figure 5-510**

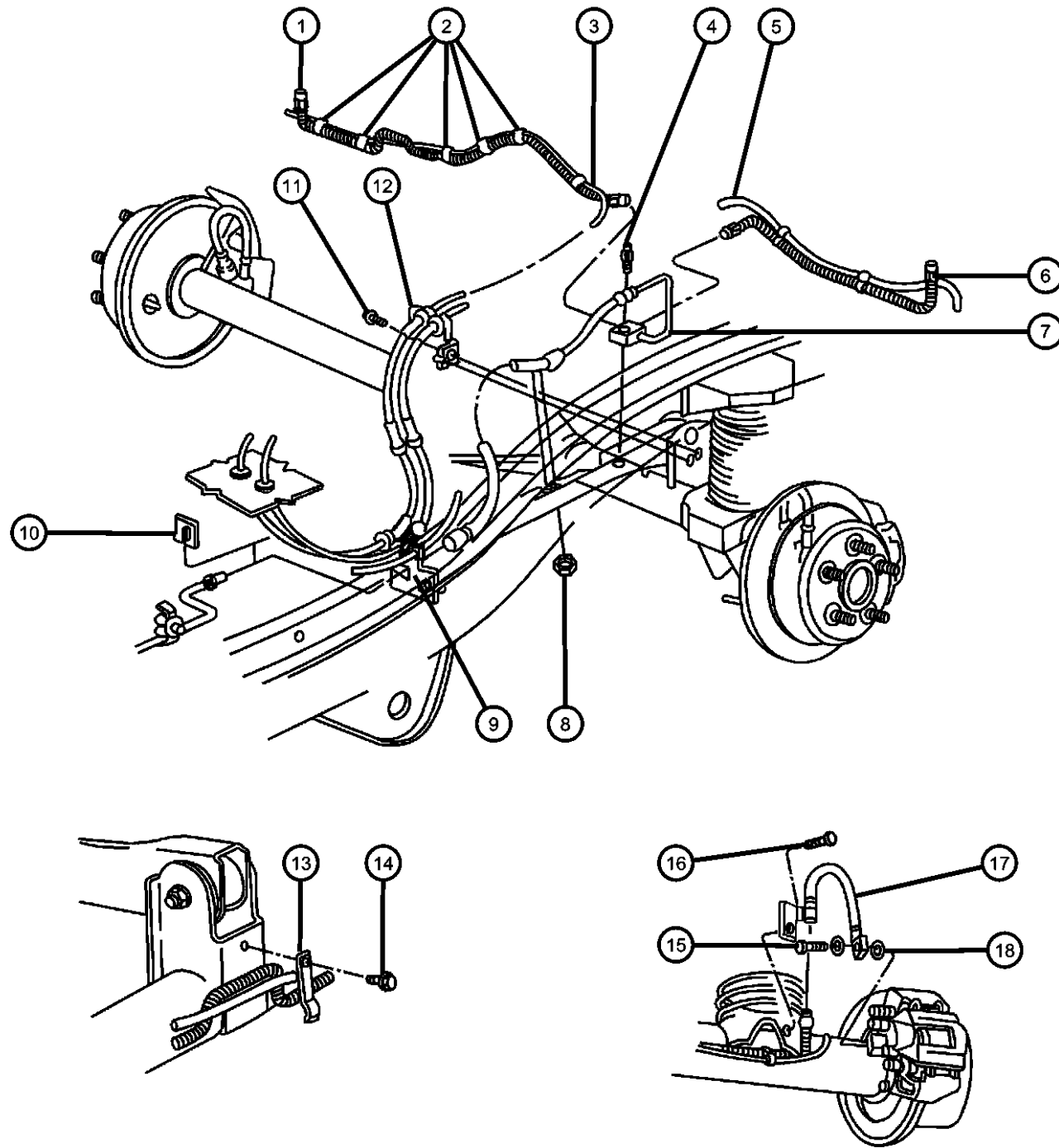
| ITEM | PART NUMBER | QTY | LINE | SERIES | BODY | ENGINE | TRANS | TRIM | DESCRIPTION |
|------|-------------|-----|------|--------|------|--------|-------|------|--|
| 23 | 52009222 | 1 | | | | | | | TUBE, Brake, Brake Hose Tube to HCU, Right |
| 24 | 52009061 | 1 | | | | | | | VALVE, Proportioning, Combination (Combo) |
| 25 | 52008957 | 1 | | | | | | | HOSE, Brake, Combo Valve to HCU - Secondary |
| 26 | 52008956 | 1 | | | | | | | HOSE, Brake, Combo Valve to HCU - Primary |
| 27 | 52008339 | 2 | | | | | | | GROMMET, Front Brake Tube, Brake Tube to Wheelhouse, Right |



| | | | | |
|----------------------------|----------------------------------|-------------------------|--|--|
| GRAND CHEROKEE (ZJ) | | | | |
| SERIES | LINE | BODY | ENGINE | TRANSMISSION |
| L = LOWLINE | T = JEEP - 2WD J = JEEP - 4WD | 74 = SPORT UTILITY 4-DR | ELF = 5.2L V8 MPI Engine EML = 5.9L V8 MPI Engine ERH = 4.0L Power Tech I-6 Engine | DGK = 4-Spd. Automatic 42RE Transmission DGW = 4-Spd. Automatic 4RE Transmission DG0 = Transmissions - All Automatic |

AR = use ase required - = Non illustrated part

Brake Lines And Hoses,Rear
Figure 5-520



| ITEM | PART NUMBER | QTY | LINE | SERIES | BODY | ENGINE | TRANS | TRIM | DESCRIPTION |
|------|-------------|-----|------|--------|------|--------|-------|------|---|
| 1 | 52009050 | 1 | | | | | | | TUBE, Brake [DRK], Right |
| | 52128222 | 1 | | | | | | | [DRJ,DRM], Right |
| 2 | 56026775 | 8 | | | | | | | CLIP, Tube To Speed Sensor |
| 3 | 56027722 | 1 | | | | | | | SENSOR, Anti-Lock BrakeRight |
| 4 | 52067508 | 1 | | | | | | | BOLT, Axle Vent |
| 5 | 56027723 | 1 | | | | | | | SENSOR, Anti-Lock BrakeLeft |
| 6 | 52008609 | 1 | | | | | | | TUBE, BrakeLeft |
| 7 | 52007401 | 1 | | | | | | | HOSE, Brake, Brake Tube to Rear Axle Tee |
| 8 | 06101695 | 1 | | | | | | | NUT, Hex Flange Lock, M8x1.25, Rear Brake Hose Mounting |
| 9 | 52100148 | 1 | | | | | | | BRACKET, Brake Hose |
| 10 | 02208893 | 1 | | | | | | | LOCK, Brake HoseRear |
| 11 | 06502655 | 1 | | | | | | | SCREW, Hex Head, M6x1x15, ABS Bracket Mounting |
| 12 | 56026757 | 1 | J | | | | | | BRACKET, Anti-Lock Brake Sensor, Sensor |
| 13 | 52007748 | 1 | | | | | | | CLIP, Brake Tube |
| 14 | 06502655 | 1 | | | | | | | SCREW, Hex Head, M6x1x15, Brake Tube Clip Mounting |
| 15 | J4006700 | 4 | | | | | | | BOLT, Banjo, Brake Hose Mounting |
| 16 | 06502655 | 2 | | | | | | | SCREW, Hex Head, M6x1x15, Brake Hose to Axle Mounting |
| 17 | | | | | | | | | HOSE, Brake |
| | 52008662 | 1 | | | | | | | Right |
| | 52008663 | 1 | | | | | | | Left |
| 18 | J3237672 | 8 | | | | | | | GASKET, Brake Hose To Caliper |

GRAND CHEROKEE (ZJ)

SERIES LINE
L = LOWLINE T = JEEP - 2WD
J = JEEP - 4WD

BODY
74 = SPORT UTILITY 4-DR

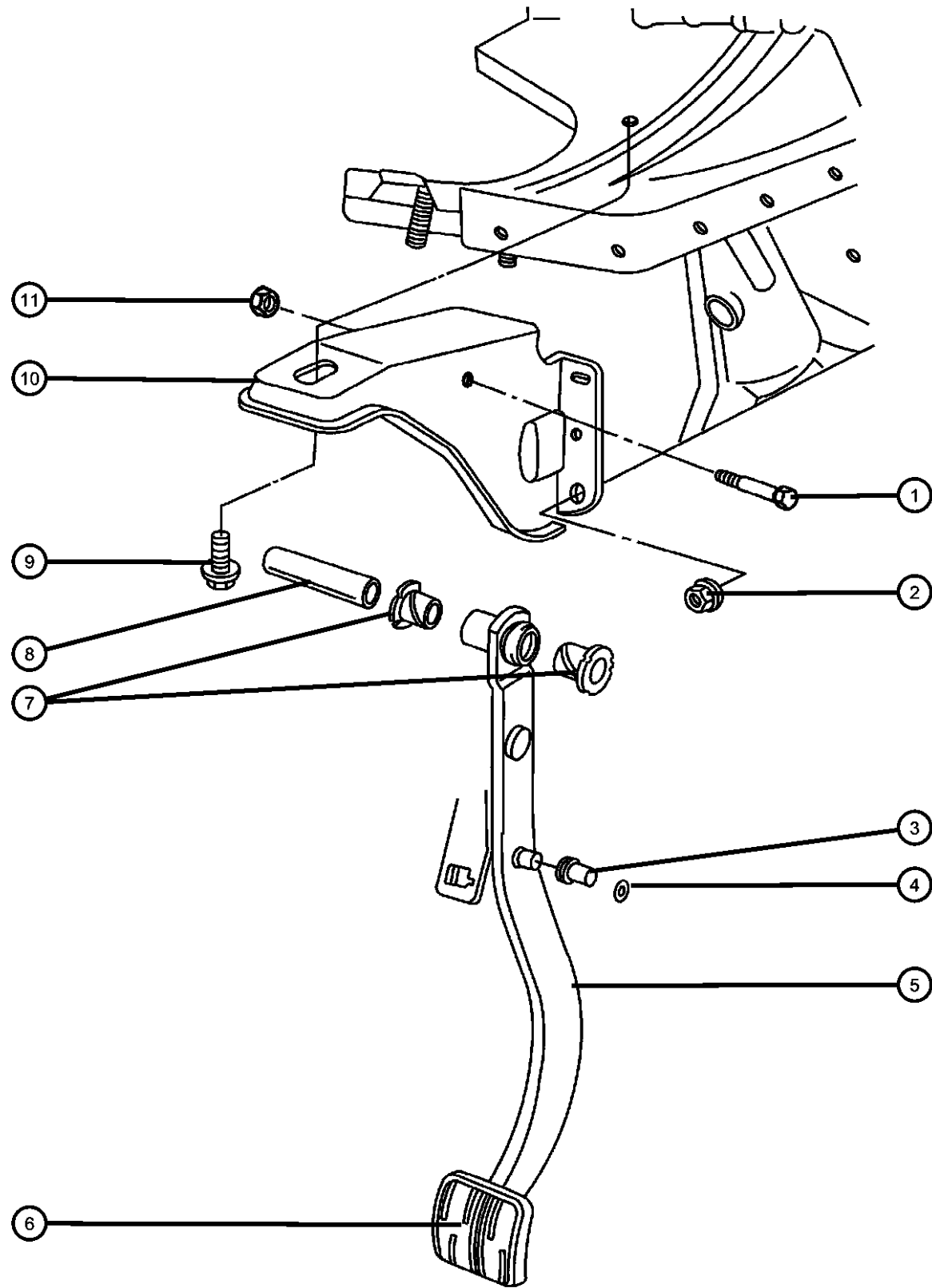
ENGINE
ELF = 5.2L V8 MPI Engine
EML = 5.9L V8 MPI Engine
ERH = 4.0L Power Tech I-6 Engine

TRANSMISSION
DGK = 4-Spd. Automatic 42RE Transmission
DGW = 4-Spd. Automatic 4RE Transmission
DG0 = Transmissions - All Automatic

AR = use ase required - = Non illustrated part

1997 ZJ

**Brake Pedal
Figure 5-610**



| ITEM | PART NUMBER | QTY | LINE | SERIES | BODY | ENGINE | TRANS | TRIM | DESCRIPTION |
|------|-------------|-----|------|--------|------|--------|-------|------|---|
| 1 | 06100206 | 1 | | | | | | | BOLT, Hex Head, M14x70, Brake Pedal to Bracket Mounting |
| 2 | J4003909 | 4 | | | | | | | NUT, Hex Flange With Serration, Booster to Firewall Mounting |
| 3 | 04446361 | 1 | | | | | | | BUSHING, Hydraulic Clutch Actuator |
| 4 | 06035334 | 1 | | | | | | | CLIP, Brake Push Rod, Brake Booster Push Rod to Pedal Pin Retaining |
| 5 | 52078995 | 1 | | | | | | | PEDAL, Brake |
| 6 | 52002749 | 1 | | | | | | | PAD, Pedal |
| 7 | J3225981 | 2 | | | | | | | BUSHING, Pedal Shaft |
| 8 | 53000637 | 1 | | | | | | | SLEEVE, Pedal Shaft |
| 9 | 00181112 | 1 | | | | | | | SCREW AND WASHER, .375-16x1.00, Brake Pedal Mounting Bracket |
| 10 | 52078407 | 1 | | | | | | | BRACKET, Brake Pedal |
| 11 | 06502585 | 1 | | | | | | | NUT, Brake Pedal to Bracket Mounting |

GRAND CHEROKEE (ZJ)

SERIES LINE
 L = LOWLINE T = JEEP - 2WD
 J = JEEP - 4WD

BODY
 74 = SPORT UTILITY 4-DR

ENGINE
 ELF = 5.2L V8 MPI Engine
 EML = 5.9L V8 MPI Engine
 ERH = 4.0L Power Tech I-6 Engine

TRANSMISSION
 DGK = 4-Spd. Automatic 42RE Transmission
 DGW = 4-Spd. Automatic 4RE Transmission
 DG0 = Transmissions - All Automatic

AR = use ase required - = Non illustrated part

1997 ZJ

Group - 7

Cooling

Group - 7 Cooling

Group-Fig. No.

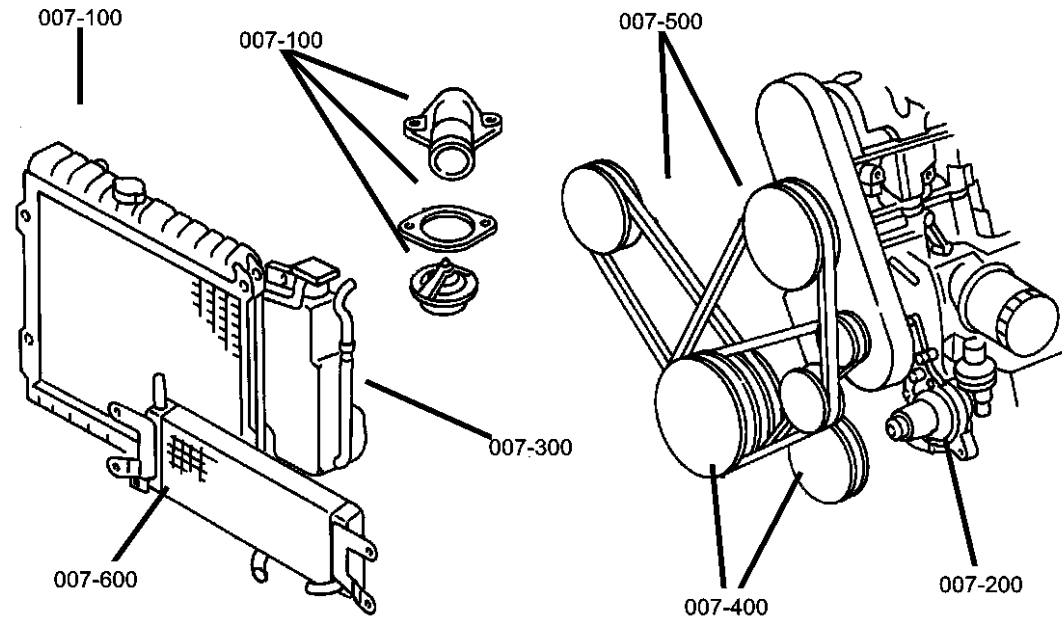


Illustration Title

Radiator and Related Parts

Radiator And Related Parts 4.0L Engine Fig. 7 - 150
 Radiator And Related Parts 5.2L And 5.9L Engine Fig. 7 - 160

Water Pump and Related Parts

Water Pump And Related Parts 4,0L Engine Fig. 7 - 210
 Water Pump And Related Parts 5.2L And 5.9L Engine Fig. 7 - 220

Tank, Coolant Engine

Coolant Tank Fig. 7 - 310

Pulleys and Related Parts

Drive Pulleys 4.0L Engine Fig. 7 - 420
 Drive Pulleys 5.2L And 5.9L Engine Fig. 7 - 430

Drive Belts

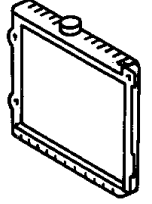
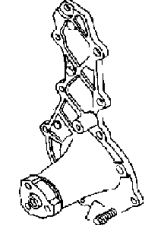
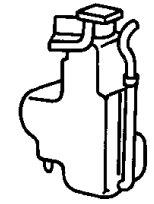
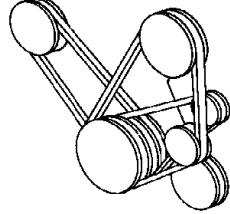
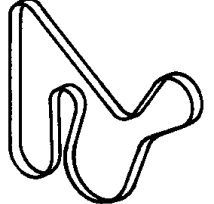
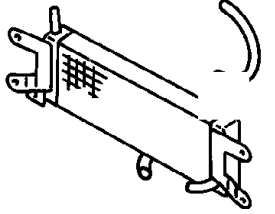
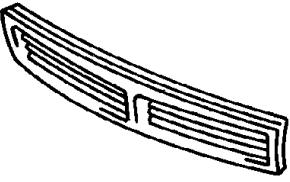
Drive Belt Fig. 7 - 520

Lines, Transmission Oil Cooler

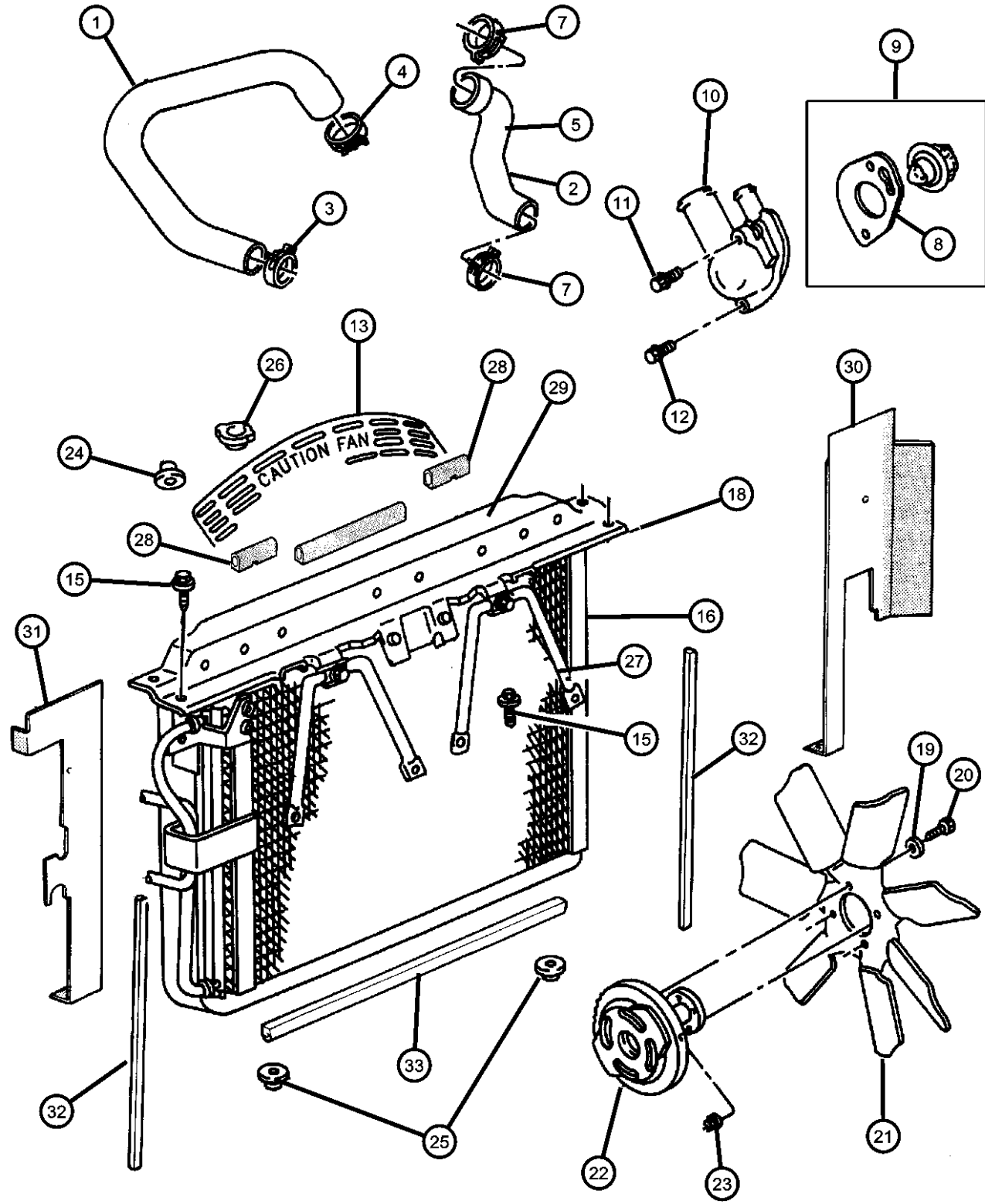
Oil Cooler And Lines 5.2L And 5.9L Engine Fig. 7 - 610
 Oil Cooler And Lines 4.0L Engine Fig. 7 - 620

Grilles

Grille And Related Parts Fig. 7 - 720

| | | | |
|--|--|--|---|
| <p>007-100 Radiator and Related Parts</p>  | <p>007-200 Water Pump and Related Parts</p>  | <p>007-300 Tank, Coolant Engine</p>  | <p>007-400 Pulleys and Related Parts</p>  |
| <p>007-500 Drive Belts</p>  | <p>007-600 Lines, Transmission Oil Cooler</p>  | <p>007-700 Grilles</p>  | |

Radiator And Related Parts 4.0L Engine
Figure 7-150

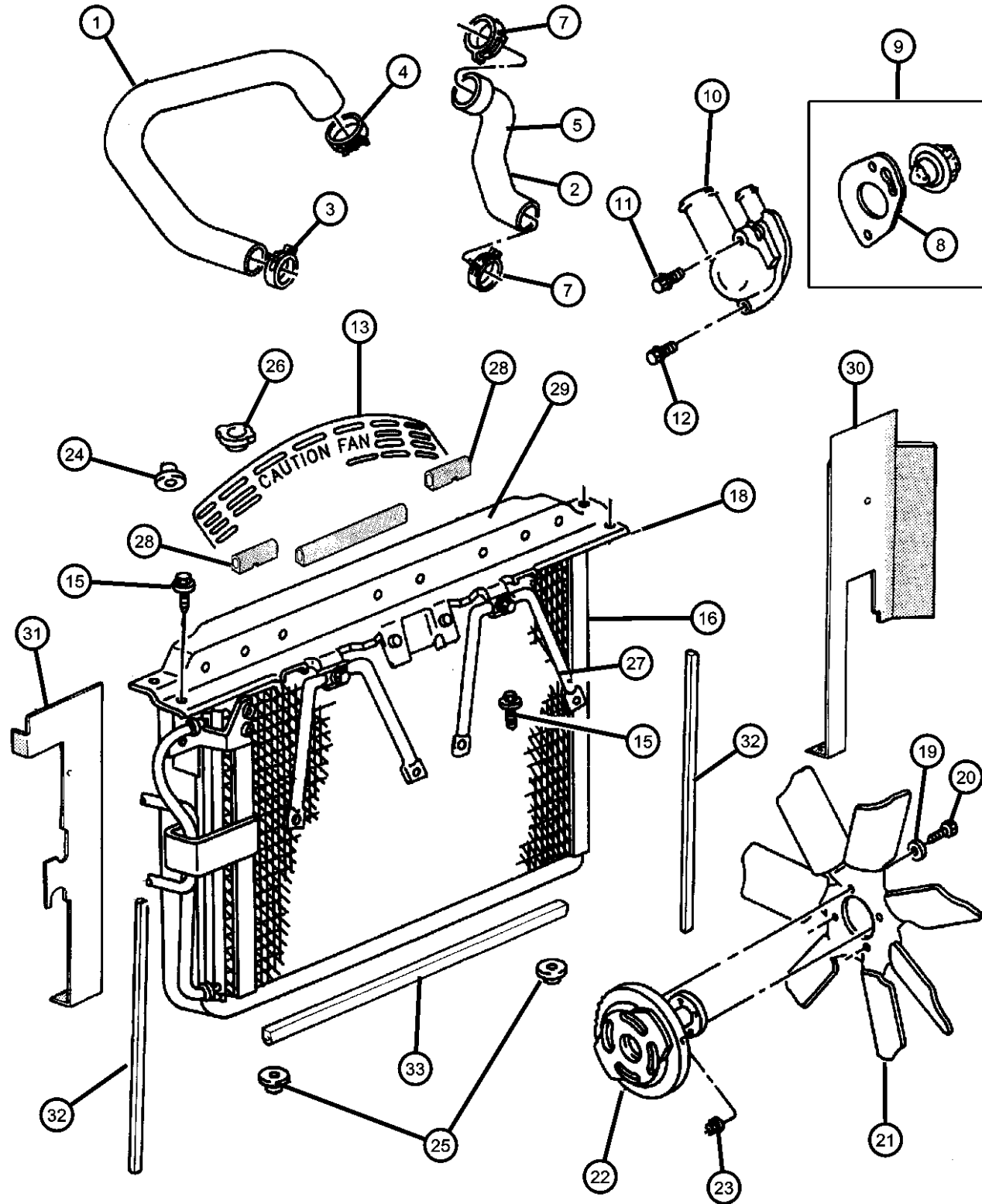


| ITEM | PART NUMBER | QTY | LINE | SERIES | BODY | ENGINE | TRANS | TRIM | DESCRIPTION |
|------|-------------|-----|------|--------|------|--------|-------|------|---|
| 1 | 52028263 | 1 | | | | ER0 | | | HOSE, Radiator Inlet, Radiator Inlet |
| 2 | 52027776 | 1 | | | | ER0 | | | SLEEVE, Radiator Hose, Protector |
| 3 | 32002983 | 1 | | | | ER0 | | | CLAMP, Hose, 32mm Black |
| 4 | | | | | | | | | CLAMP, Hose to Radiator |
| | 52005580 | 1 | | | | ER0 | | | |
| 5 | 52028262AB | 1 | | | | ER0 | | | HOSE, Radiator, Outlet |
| -6 | 52027776 | 1 | | | | ER0 | | | SLEEVE, Radiator Hose, Protector |
| 7 | 06032277 | 1 | | | | | | | CLAMP, Radiator |
| 8 | 53020547 | 1 | | | | ER0 | | | GASKET, Thermostat, Thermostat |
| 9 | 52028186 | 1 | | | | ER0 | | | THERMOSTAT, 195 Degrees |
| 10 | 53006192 | 1 | | | | ER0 | | | HOUSING, Thermostat, Thermostat |
| 11 | 06034927 | 1 | | | | ER0 | | | SCREW AND WASHER, Hex Head, .312-18x.970 |
| 12 | 06034927 | 1 | | | | | | | BOLT, (NOT SERVICED) |
| 13 | 52079583AB | 1 | | | | ER0 | DGK | | SHROUD, Fan |
| -14 | 52079602 | 2 | | | | ER0 | DGK | | BRACKET, Shroud, Radiator to Shroud |
| 15 | 06100568 | 4 | | | | | | | BOLT AND WASHER, Implement Attaching |
| 16 | 52028379 | 1 | | | | ER0 | DGK | | RADIATOR, Engine Cooling |
| -17 | 04644746 | 1 | | | | | | | DRAINCOCK, Radiator, Radiator |
| 18 | 55254771 | 1 | | | | ER0 | DGK | | CROSSMEMBER, Radiator, Radiator, Upper |
| 19 | 52006642 | 2 | | | | ER0 | DGK | | ISOLATOR, Radiator, Upper |
| 20 | 06034860 | 4 | | | | | | | BOLT AND WASHER, Implement Attaching |
| 21 | 52079570 | 1 | | | | ER0 | | | FAN, Cooling |
| 22 | | | | | | | | | VISCOUS CLUTCH, Fan Drive |
| | 52027823 | 1 | | | | ER0 | | | With [NMC] |
| | 52027824 | 1 | | | | ER0 | | | Without [NMC] |
| 23 | 00154591 | 4 | | | | ER0 | | | NUT AND WASHER, Hex, .312-18 |
| 24 | 52006642 | 2 | | | | ER0 | DGK | | ISOLATOR, Radiator, Upper |
| 25 | J0687550 | 2 | | | | ER0 | DGK | | GROMMET, Radiator, Lower Isolator |
| 26 | 52027793 | 1 | | | | ER0 | DGK | | CAP, Radiator, Radiator |
| 27 | 55254509 | 2 | | | | ER0 | DGK | | BRACE, Radiator Crossmember, Radiator Crossmember |

GRAND CHEROKEE (ZJ)
 SERIES LINE BODY ENGINE TRANSMISSION
 L = LOWLINE T = JEEP - 2WD 74 = SPORT UTILITY 4-DR ELF = 5.2L V8 MPI Engine DGK = 4-Spd. Automatic 42RE
 J = JEEP - 4WD EML = 5.9L V8 MPI Engine Transmission
 ERH = 4.0L Power Tech I-6 Engine DGW = 4-Spd. Automatic 4RE
 Transmission
 DG0 = Transmissions - All Automatic

AR = use ase required - = Non illustrated part

Radiator And Related Parts 4.0L Engine
Figure 7-150



| ITEM | PART NUMBER | QTY | LINE | SERIES | BODY | ENGINE | TRANS | TRIM | DESCRIPTION |
|------|-------------|-----|------|--------|------|--------|-------|------|---|
| 28 | 52027811 | 2 | | | | ER0 | DGK | | SEAL, Crossmember, Upper Crossmember |
| 29 | 52027507 | 1 | | | | ER0 | DGK | | SEAL, Crossmember, Crossmember Center |
| 30 | 52006160 | 1 | | | | ER0 | DGK | | SEAL, Radiator, Radiator Side, Right |
| 31 | 52006159 | 1 | | | | ER0 | DGK | | SEAL, Radiator, Radiator Side, Left |
| 32 | 52027509 | 2 | | | | ER0 | DGK | | SEAL, Radiator Condenser, Radiator to Condenser |
| 33 | 52027506 | 1 | | | | ER0 | DGK | | SEAL, Crossmember, Lower Crossmember |

GRAND CHEROKEE (ZJ)

SERIES LINE
L = LOWLINE T = JEEP - 2WD
J = JEEP - 4WD

BODY
74 = SPORT UTILITY 4-DR

ENGINE
ELF = 5.2L V8 MPI Engine
EML = 5.9L V8 MPI Engine
ERH = 4.0L Power Tech I-6 Engine

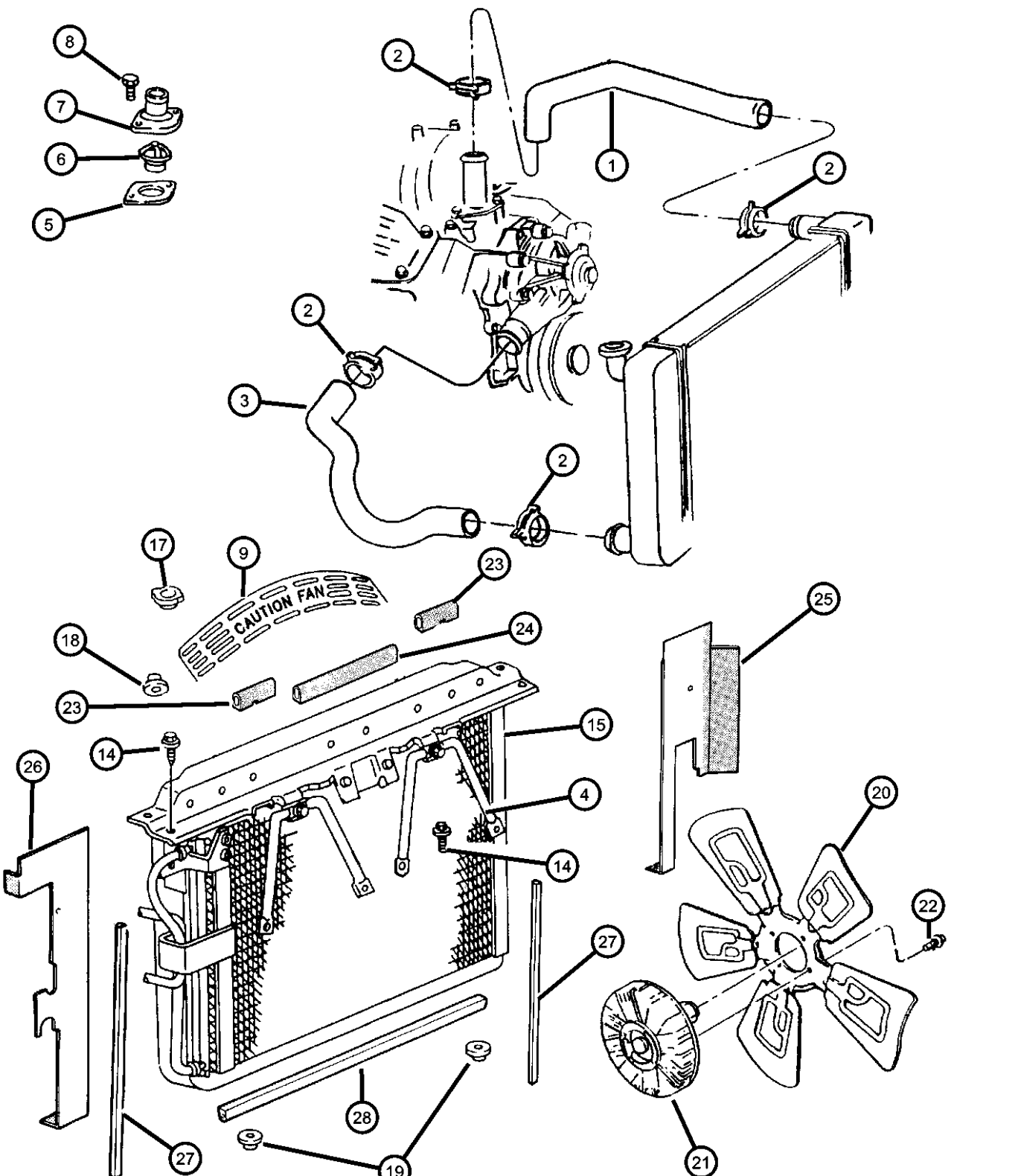
TRANSMISSION
DGK = 4-Spd. Automatic 42RE Transmission
DGW = 4-Spd. Automatic 4RE Transmission
DG0 = Transmissions - All Automatic

AR = use ase required - = Non illustrated part

1997 ZJ

Radiator And Related Parts 5.2L And 5.9L Engine

Figure 7-160



| ITEM | PART NUMBER | QTY | LINE | SERIES | BODY | ENGINE | TRANS | TRIM | DESCRIPTION |
|------|-------------|-----|------|--------|------|----------|-------|------|---|
| 1 | 52079559 | 1 | | | | EL0, EM0 | | | HOSE, Radiator, Radiator Inlet |
| 2 | 52005580 | 1 | | | | | | | CLAMP, Hose to Radiator |
| 3 | 52028226 | 1 | | | | EL0, EM0 | | | HOSE, Radiator, Outlet |
| 4 | 55254509 | 2 | | | | EL0, EM0 | DGW | | BRACE, Radiator Crossmember, Radiator Crossmember |
| 5 | 53021051 | 1 | | | | EL0, EM0 | | | GASKET, Thermostat, Thermostat |
| 6 | 52028185 | 1 | | | | EL0, EM0 | | | THERMOSTAT, 195 Degrees |
| 7 | 53020115 | 1 | | | | EL0, EM0 | | | HOUSING, Thermostat, Thermostat |
| 8 | 06034549 | 2 | | | | EL0, EM0 | | | SCREW, Hex Head, .312-18x.94 |
| 9 | 52079594 | 1 | | | | EL0, EM0 | DGW | | SHROUD, Fan, Radiator, Upper |
| -10 | 52028035 | 1 | | | | EL0, EM0 | | | SHROUD, Fan, Fan Shroud, Lower |
| -11 | 52028046 | 1 | | | | EL0, EM0 | | | SEAL, Fan Shroud |
| -12 | 55254771 | 1 | | | | EL0, EM0 | DGW | | CROSSMEMBER, Radiator, Radiator, Upper |
| -13 | 52079602 | 2 | | | | EL0, EM0 | DGW | | BRACKET, Shroud, Radiator to Shroud |
| 14 | 06100568 | 4 | | | | | | | BOLT AND WASHER, Implement Attaching |
| 15 | 04734104 | 1 | | | | EL0, EM0 | DGW | | RADIATOR, Engine Cooling |
| -16 | 04644746 | 1 | | | | | | | DRAINCOCK, Radiator |
| 17 | 52027793 | 1 | | | | EL0, EM0 | DGW | | CAP, Radiator, Radiator |
| 18 | 52006642 | 2 | | | | EL0, EM0 | DGW | | ISOLATOR, Radiator, Upper |
| 19 | J0687550 | 2 | | | | EL0, EM0 | DGW | | GROMMET, Radiator |
| 20 | 52027888 | 1 | | | | EL0, EM0 | | | FAN, Cooling |
| 21 | | | | | | | | | VISCOUS CLUTCH, Fan Drive |
| | 52028297 | 1 | | | | EL0, EM0 | | | without Max Cooling [NMC] |
| | 52028298 | 1 | | | | EL0, EM0 | | | with Max Cooling [NMC] |
| 22 | 00180077 | 1 | | | | | | | BOLT, Hex Head, 5/16x18x3/4 |
| 23 | 52027718 | 2 | | | | EL0, EM0 | DGW | | SEAL, Crossmember, Upper Crossmember |
| 24 | 52027507 | 1 | | | | EL0, EM0 | DGW | | SEAL, Crossmember, Upper Center |
| 25 | 52006160 | 1 | | | | EL0, EM0 | DGW | | SEAL, Radiator, Radiator Side, Right |
| 26 | 52006159 | 1 | | | | EL0, EM0 | DGW | | SEAL, Radiator, Radiator Side, Left |
| 27 | 52027509 | 2 | | | | EL0, EM0 | DGW | | SEAL, Radiator Condenser, Radiator to Condenser |
| 28 | 52027506 | 1 | | | | EL0, EM0 | DGW | | SEAL, Crossmember, Lower Crossmember |

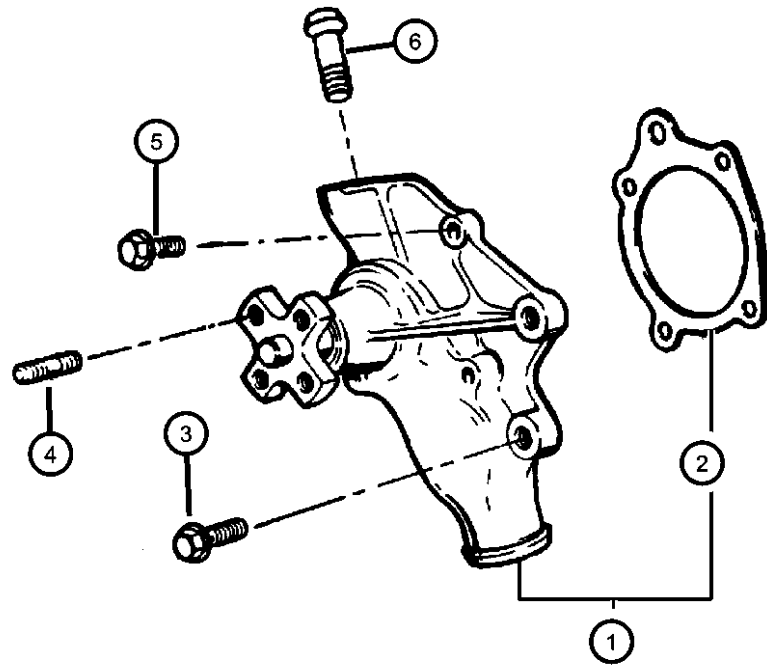
GRAND CHEROKEE (ZJ)

| | | | | |
|-------------|----------------------------------|-------------------------|--|--|
| SERIES | LINE | BODY | ENGINE | TRANSMISSION |
| L = LOWLINE | T = JEEP - 2WD J = JEEP - 4WD | 74 = SPORT UTILITY 4-DR | ELF = 5.2L V8 MPI Engine EML = 5.9L V8 MPI Engine ERH = 4.0L Power Tech I-6 Engine | DGK = 4-Spd. Automatic 42RE Transmission DGW = 4-Spd. Automatic 4RE Transmission DG0 = Transmissions - All Automatic |

AR = use ase required - = Non illustrated part

**Water Pump And Related Parts 4,0L Engine
Figure 7-210**

| ITEM | PART NUMBER | QTY | LINE | SERIES | BODY | ENGINE | TRANS | TRIM | DESCRIPTION |
|------|----------------------|-----|------|--------|------|--------|-------|------|---|
| 1 | 04626054 R4626054 | 1 | | | | ER0 | | | PUMP PACKAGE, Water, Water Pump Mopar Reman Water Pump |
| 2 | 53020420 | 1 | | | | ER0 | | | GASKET, Water Pump |
| 3 | 06033979 | 1 | | | | ER0 | | | SCREW AND WASHER, Hex Head, .312-18x1.75 |
| 4 | J4006714 | 4 | | | | ER0 | | | STUD, .312-18/.312-24x1.250 |
| 5 | 06033978 | 3 | | | | ER0 | | | SCREW AND WASHER, Hex Head, .312-18x1.12 |
| 6 | 53007978 | 1 | | | | ER0 | | | TUBE, Water Pump Heater Return, Water Pump Heater Return |



GRAND CHEROKEE (ZJ)

SERIES LINE
L = LOWLINE T = JEEP - 2WD
 J = JEEP - 4WD

BODY
74 = SPORT UTILITY 4-DR

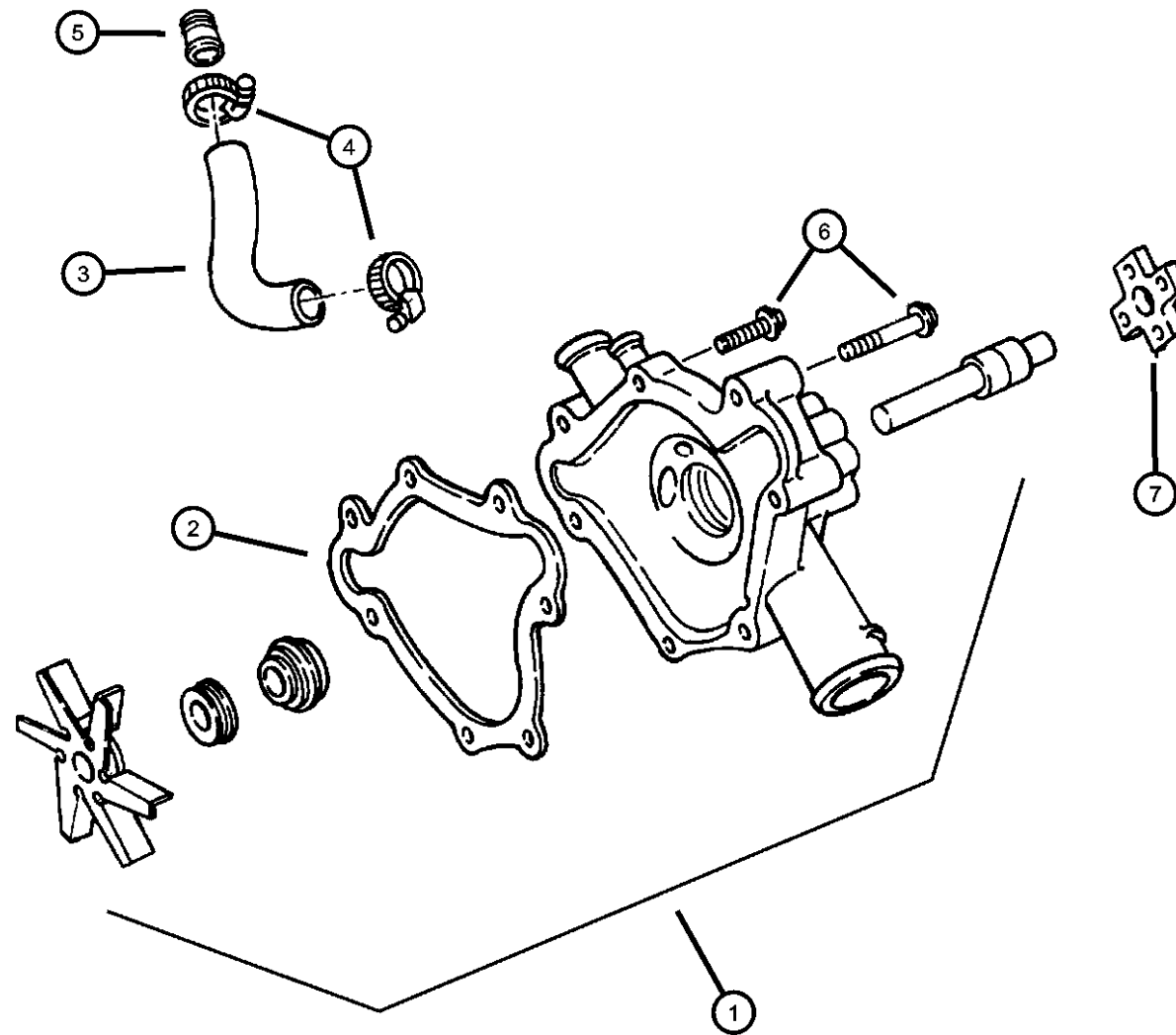
ENGINE
ELF = 5.2L V8 MPI Engine
EML = 5.9L V8 MPI Engine
ERH = 4.0L Power Tech I-6 Engine

TRANSMISSION
DGK = 4-Spd. Automatic 42RE Transmission
DGW = 4-Spd. Automatic 4RE Transmission
DG0 = Transmissions - All Automatic

AR = use ase required - = Non illustrated part

1997 ZJ

**Water Pump And Related Parts 5.2L And 5.9L Engine
Figure 7-220**



| ITEM | PART NUMBER | QTY | LINE | SERIES | BODY | ENGINE | TRANS | TRIM | DESCRIPTION |
|------|-------------|-----|------|--------|------|----------|-------|------|--|
| 1 | 53021018 | 1 | | | | EL0 | | | PUMP, Water Water, w/o Gasket |
| | R3021018AD | | | | | EM0 | | | Mopar Reman Water Pump Water, w/o Gasket |
| | R3021018AD | 1 | | | | | | | Mopar Reman Water Pump |
| 2 | 04483757 | 1 | | | | EL0, EM0 | | | GASKET, Water Pump |
| 3 | 53008654 | 1 | | | | EL0, EM0 | | | HOSE, Water Pump Bypass, Water Pump By-Pass |
| 4 | 04401436 | 2 | | | | EL0, EM0 | | | CLAMP, Radiator |
| 5 | 53020185 | 1 | | | | EL0, EM0 | | | NIPPLE, By-Pass, By-Pass |
| 6 | 06034279 | 3 | | | | EL0, EM0 | | | SCREW AND WASHER, Hex Head Lock, .375-16x1.75 |
| 7 | 53008291 | 1 | | | | EL0 | | | HUB, Water Pump Pulley Pulley |
| | | 1 | | | | EM0 | | | Pulley |

GRAND CHEROKEE (ZJ)

SERIES LINE
L = LOWLINE T = JEEP - 2WD
 J = JEEP - 4WD

BODY
74 = SPORT UTILITY 4-DR

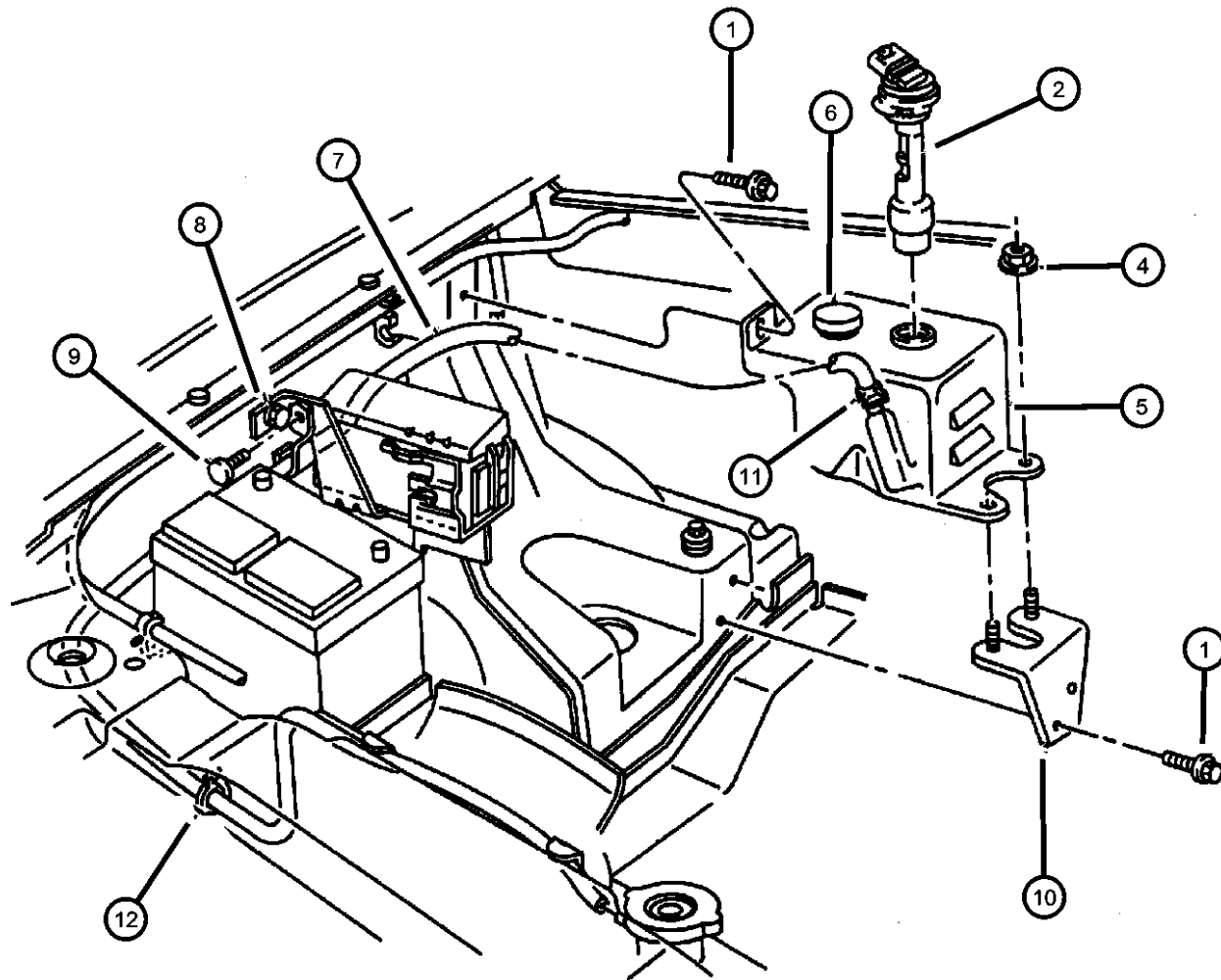
ENGINE
ELF = 5.2L V8 MPI Engine
EML = 5.9L V8 MPI Engine
ERH = 4.0L Power Tech I-6
Engine

TRANSMISSION
DGK = 4-Spd. Automatic 42RE
Transmission
DGW = 4-Spd. Automatic 4RE
Transmission
DG0 = Transmissions - All Automatic

AR = use ase required - = Non illustrated part

1997 ZJ

Coolant Tank
Figure 7-310



| ITEM | PART NUMBER | QTY | LINE | SERIES | BODY | ENGINE | TRANS | TRIM | DESCRIPTION |
|------|-------------|-----|------|--------|------|----------|-------|------|--|
| 1 | | 1 | | | | | | | SCREW, (NOT SERVICED), |
| 2 | | | | | | | | | SENSOR, Coolant Level |
| | 52028031 | 1 | | | | ER0 | | | Coolant Level |
| | | 1 | | | | EL0, EM0 | | | Coolant Level |
| -3 | | | | | | | | | GROMMET |
| | 52028254 | 1 | | | | ER0 | | | |
| | | 1 | | | | EL0, EM0 | | | |
| 4 | 34201358 | 2 | | | | | | | NUT AND WASHER, Hex Nut-Sealing Washer, M6 x 1.00 |
| 5 | | | | | | | | | TANK, Coolant Reserve |
| | 04883834AA | 1 | | | | EL0, EM0 | | | Without Sensor Hole |
| | | 1 | | | | ER0 | | | Without Sensor Hole |
| | 04883835AA | 1 | | | | ER0 | | | With Sensor Hole |
| | | 1 | | | | EL0, EM0 | | | With Sensor Hole |
| | 52079519 | 1 | | | | EL0, EM0 | | | Coolant Reserve *** |
| | | 1 | | | | ER0 | | | Coolant Reserve *** |
| 6 | | | | | | | | | CAP, Coolant Reserve Tank |
| | 52079331 | 1 | | | | ER0 | | | Bottle |
| | | 1 | | | | EL0, EM0 | | | Bottle |
| 7 | | | | | | | | | HOSE, Coolant Reserve Tank |
| | 04026148 | 1 | | | | ER0 | | | Recovery |
| | | 1 | | | | EL0, EM0 | | | Recovery |
| 8 | | 1 | | | | | | | CLIP, (NOT SERVICED), |
| 9 | 06030441 | 1 | | | | | | | PIN, Retainer |
| 10 | 52028199 | 1 | | | | | | | BRACKET, Coolant Reserve Tank, Bottle Mtg. |
| 11 | 52027982 | 1 | | | | | | | CLIP, Hose |
| 12 | 06034648 | 1 | | | | ER0 | | | CLIP, Hose, Hose |

GRAND CHEROKEE (ZJ)

SERIES LINE
L = LOWLINE T = JEEP - 2WD
J = JEEP - 4WD

BODY
74 = SPORT UTILITY 4-DR

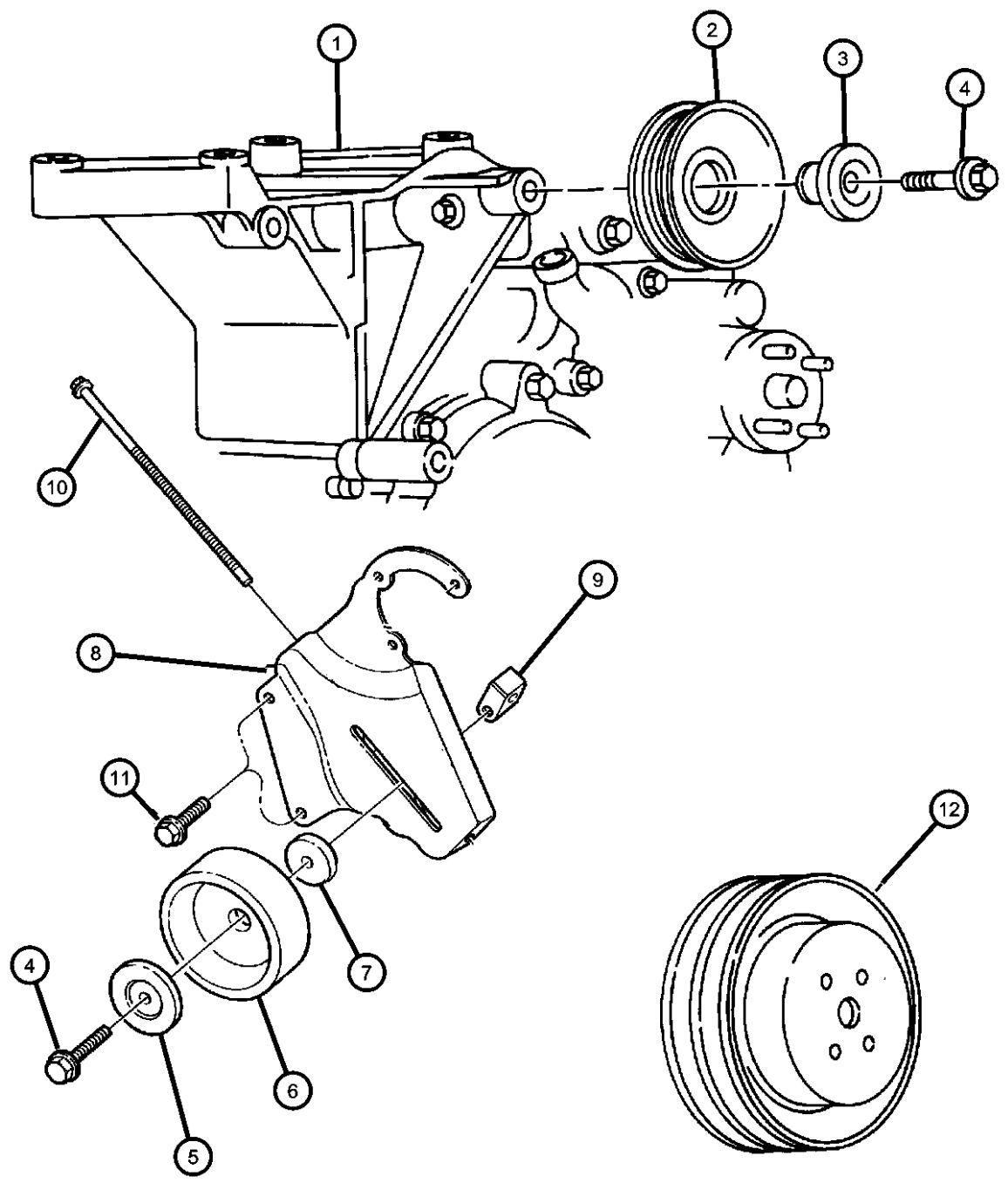
ENGINE
ELF = 5.2L V8 MPI Engine
EML = 5.9L V8 MPI Engine
ERH = 4.0L Power Tech I-6
Engine

TRANSMISSION
DGK = 4-Spd. Automatic 42RE
Transmission
DGW = 4-Spd. Automatic 4RE
Transmission
DG0 = Transmissions - All Automatic

AR = use ase required - = Non illustrated part

1997 ZJ

Drive Pulleys 4.0L Engine
Figure 7-420



| ITEM | PART NUMBER | QTY | LINE | SERIES | BODY | ENGINE | TRANS | TRIM | DESCRIPTION |
|------|-------------|-----|------|--------|------|--------|-------|------|---|
| 1 | 53010224 | 1 | | | | ER0 | | | BRACKET, Alternator And Compressor |
| 2 | 53010230 | 1 | | | | ER0 | | | PULLEY, Idler, Idler |
| 3 | 33002201 | 1 | | | | ER0 | | | BUSHING, Idler Pulley |
| 4 | 06504239 | 1 | | | | ER0 | | | SCREW AND WASHER, M10x1.5x40 |
| 5 | 33002201 | 1 | | | | ER0 | | | BUSHING, Idler Pulley |
| 6 | 04792112 | 1 | | | | ER0 | | | PULLEY, Idler, Belt Tensioning |
| 7 | 06503230 | 1 | | | | ER0 | | | SPACER, Belt Tensioner, Pulley |
| 8 | 53010148 | 1 | | | | ER0 | | | BRACKET, Tensioner, Adjusting |
| 9 | 53010149 | 1 | | | | ER0 | | | COLLAR, Tensioner Adjustment, Adjusting |
| 10 | 06503198 | 1 | | | | ER0 | | | BOLT |
| 11 | 06503198 | 1 | | | | | | | SCREW, (NOT SERVICED) |
| 12 | 53007154 | 1 | | | | ER0 | | | PULLEY, Water Pump, Water Pump |

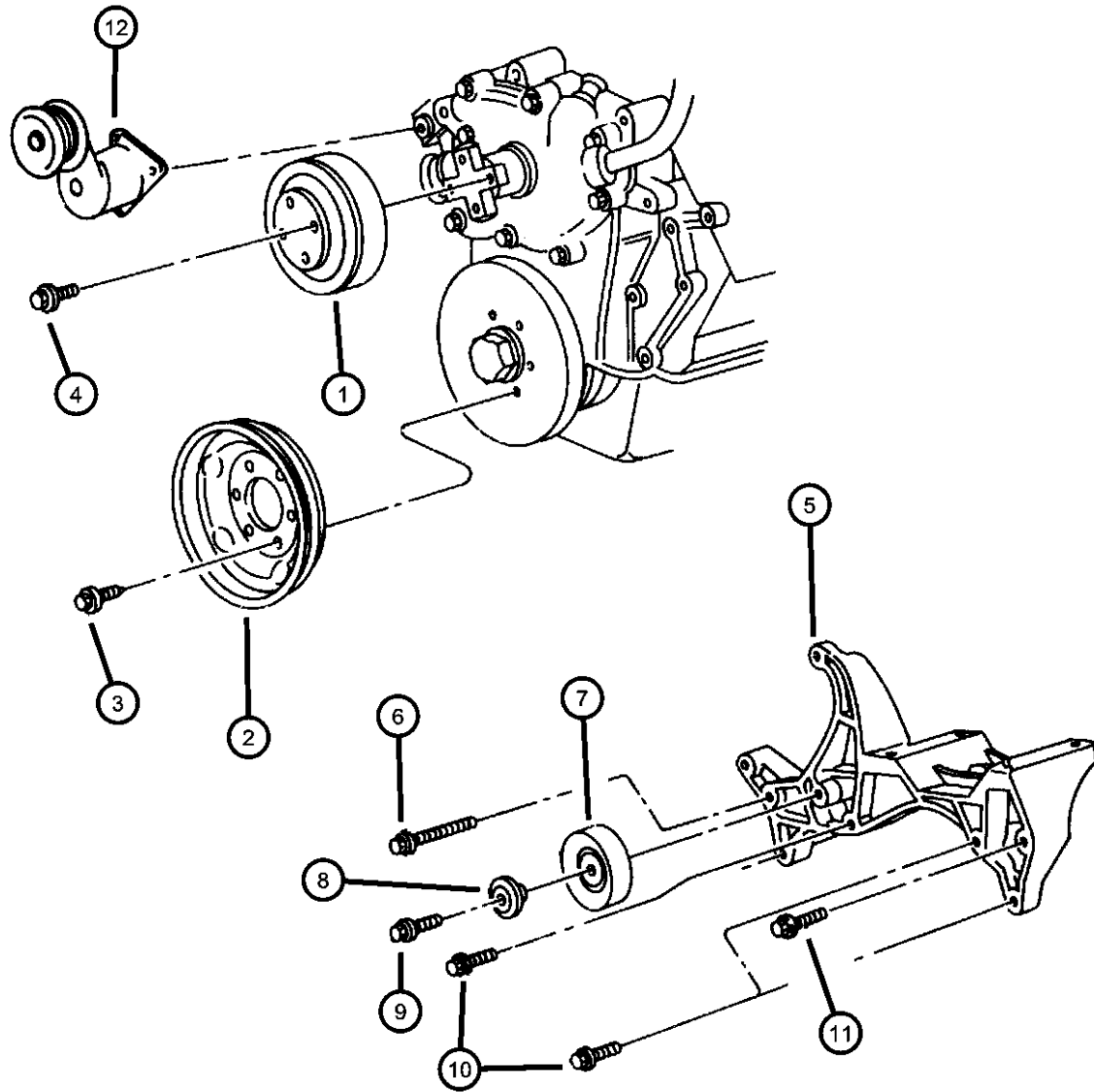
GRAND CHEROKEE (ZJ)

| | | | | |
|-------------|----------------------------------|-------------------------|--|--|
| SERIES | LINE | BODY | ENGINE | TRANSMISSION |
| L = LOWLINE | T = JEEP - 2WD J = JEEP - 4WD | 74 = SPORT UTILITY 4-DR | ELF = 5.2L V8 MPI Engine EML = 5.9L V8 MPI Engine ERH = 4.0L Power Tech I-6 Engine | DGK = 4-Spd. Automatic 42RE Transmission DGW = 4-Spd. Automatic 4RE Transmission DG0 = Transmissions - All Automatic |

AR = use ase required - = Non illustrated part

Drive Pulleys 5.2L And 5.9L Engine
Figure 7-430

| ITEM | PART NUMBER | QTY | LINE | SERIES | BODY | ENGINE | TRANS | TRIM | DESCRIPTION |
|------|-------------|-----|------|--------|------|----------|-------|------|--|
| 1 | 53010221 | 1 | | | | EL0, EM0 | | | PULLEY, Water Pump, Fan |
| 2 | 53010222 | 1 | | | | EL0, EM0 | | | PULLEY, Crankshaft, Drive |
| 3 | 53010222 | 1 | | | | | | | SCREW, (NOT SERVICED) |
| 4 | 53010222 | 1 | | | | | | | SCREW, (NOT SERVICED) |
| 5 | 53008614 | 1 | | | | EL0, EM0 | | | BRACKET, Alternator And Compressor, Alternator and Compressor Mounting |
| 6 | 06034247 | 1 | | | | EL0, EM0 | | | BOLT, Hex Head, .375-16x.25 |
| 7 | 53009508 | 1 | | | | EL0, EM0 | | | PULLEY, Idler, Idler |
| 8 | 33002201 | 1 | | | | EL0 | | | BUSHING, Idler Pulley |
| 9 | 33002201 | 1 | | | | | | | BOLT, (NOT SERVICED) |
| 10 | 33002201 | 1 | | | | | | | BOLT, (NOT SERVICED) |
| 11 | 06034246 | 1 | | | | EL0, EM0 | | | BOLT, Hex Head, .375-16x.75 |
| 12 | 53010158 | 1 | | | | EL0, EM0 | | | TENSIONER, Belt, w/Bracket |



GRAND CHEROKEE (ZJ)

SERIES LINE
L = LOWLINE T = JEEP - 2WD
J = JEEP - 4WD

BODY
74 = SPORT UTILITY 4-DR

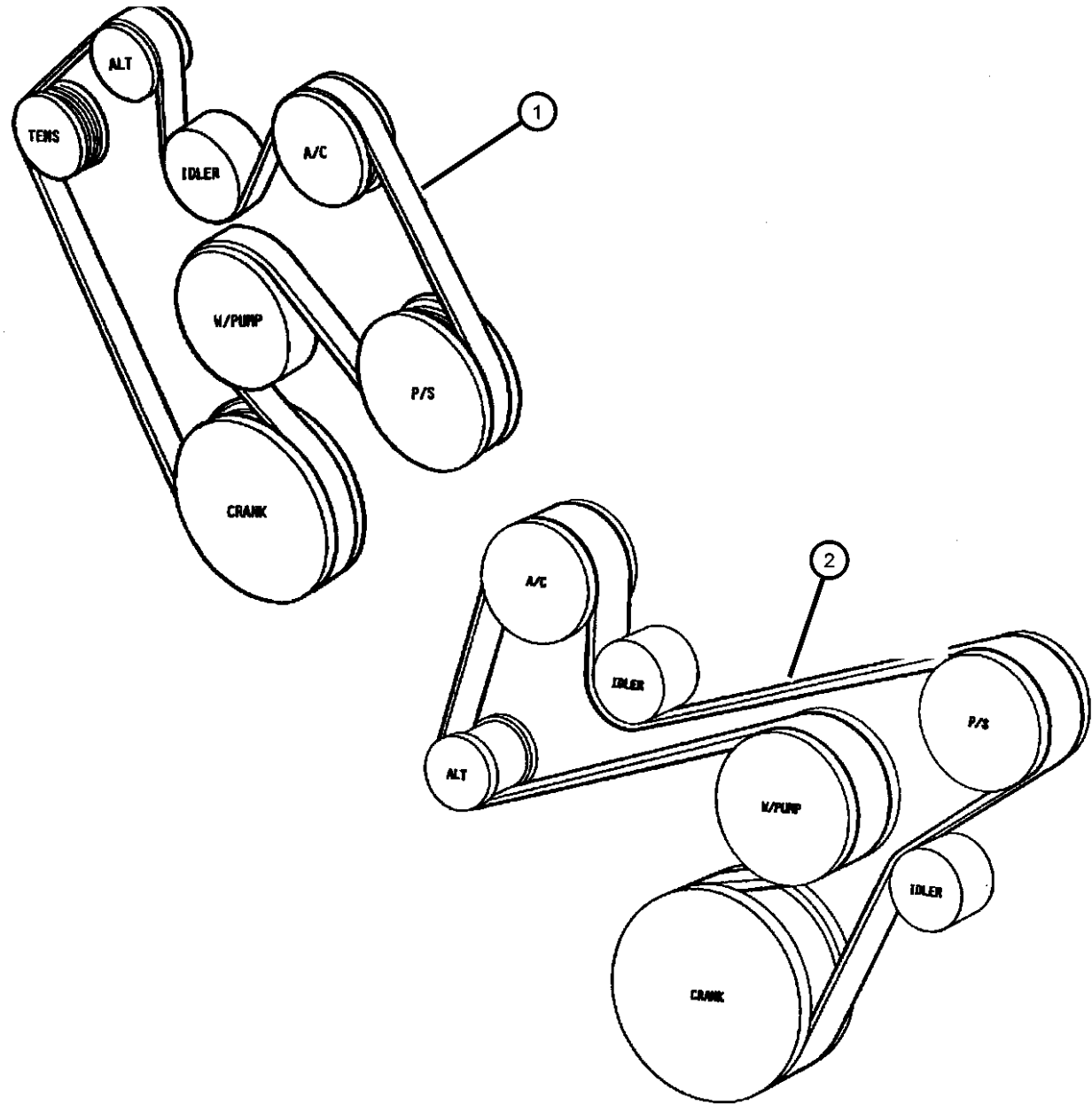
ENGINE
ELF = 5.2L V8 MPI Engine
EML = 5.9L V8 MPI Engine
ERH = 4.0L Power Tech I-6 Engine

TRANSMISSION
DGK = 4-Spd. Automatic 42RE Transmission
DGW = 4-Spd. Automatic 4RE Transmission
DG0 = Transmissions - All Automatic

AR = use ase required - = Non illustrated part

1997 ZJ

Drive Belt
Figure 7-520



| ITEM | PART NUMBER | QTY | LINE | SERIES | BODY | ENGINE | TRANS | TRIM | DESCRIPTION |
|------|-------------|-----|------|--------|------|----------|-------|------|--|
| 1 | 53011097 | 1 | | | | EL0, EM0 | | | BELT, Accessory Drive, Drive, 5.2L/5.9L Engine |
| 2 | 53010150 | 1 | | | | ER0 | | | BELT, Accessory Drive, Drive, 4.0L Engine |
| -3 | | | | | | | | | LABEL, Belt Routing |
| | 53008745 | 1 | | | | EL0, EM0 | DGW | | |
| | 53010298 | 1 | | | | ER0 | DGK | | |

GRAND CHEROKEE (ZJ)

SERIES LINE
L = LOWLINE T = JEEP - 2WD
J = JEEP - 4WD

BODY
74 = SPORT UTILITY 4-DR

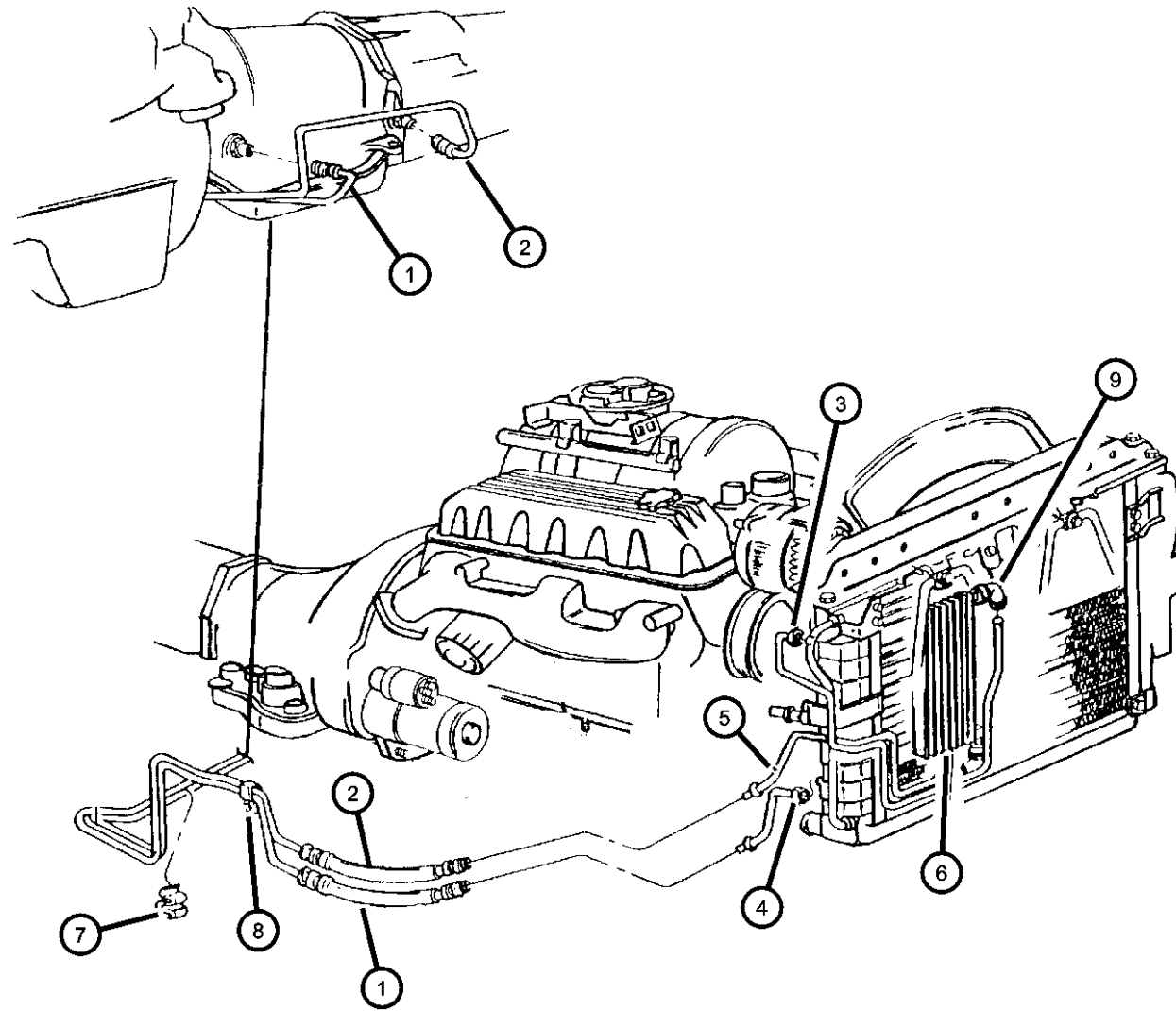
ENGINE
ELF = 5.2L V8 MPI Engine
EML = 5.9L V8 MPI Engine
ERH = 4.0L Power Tech I-6 Engine

TRANSMISSION
DGK = 4-Spd. Automatic 42RE Transmission
DGW = 4-Spd. Automatic 4RE Transmission
DG0 = Transmissions - All Automatic

AR = use ase required - = Non illustrated part

1997 ZJ

**Oil Cooler And Lines 5.2L And 5.9L Engine
Figure 7-610**



| ITEM | PART NUMBER | QTY | LINE | SERIES | BODY | ENGINE | TRANS | TRIM | DESCRIPTION |
|------|-------------|-----|------|--------|------|----------|-------|------|--|
| 1 | 52079677 | 1 | | | | EL0, EM0 | DGW | | TUBE AND HOSE, Oil Cooler, Pressure |
| 2 | 52079692 | 1 | | | | EL0, EM0 | DGW | | TUBE AND HOSE, Oil Cooler, Return |
| 3 | 52079590 | 1 | | | | EL0, EM0 | DGW | | TUBE, Oil Cooler, Aux. Cooler, Pressure, 1997 |
| 4 | 52028391 | 1 | | | | EL0, EM0 | DGW | | TUBE, Transmission Oil Filler, Cooler Pressure |
| 5 | 52079591 | 1 | | | | EL0, EM0 | DGW | | TUBE, Oil Cooler, Aux. Cooler Return, 1997 |
| 6 | 52006344 | 1 | | | | EL0, EM0 | DGW | | COOLER, Engine Oil, Aux. Oil, 1997 |
| 7 | 52006344 | 1 | | | | | | | CLIP, ["S" Type], (NOT SERVICED) |
| 8 | 52006344 | 1 | | | | | | | CLIP, Wrap Around, (NOT SERVICED) |
| 9 | 52027684 | 2 | | | | EL0, EM0 | DGW | | ELBOW, Oil Cooler Line |

GRAND CHEROKEE (ZJ)

SERIES LINE
L = LOWLINE T = JEEP - 2WD
 J = JEEP - 4WD

BODY
74 = SPORT UTILITY 4-DR

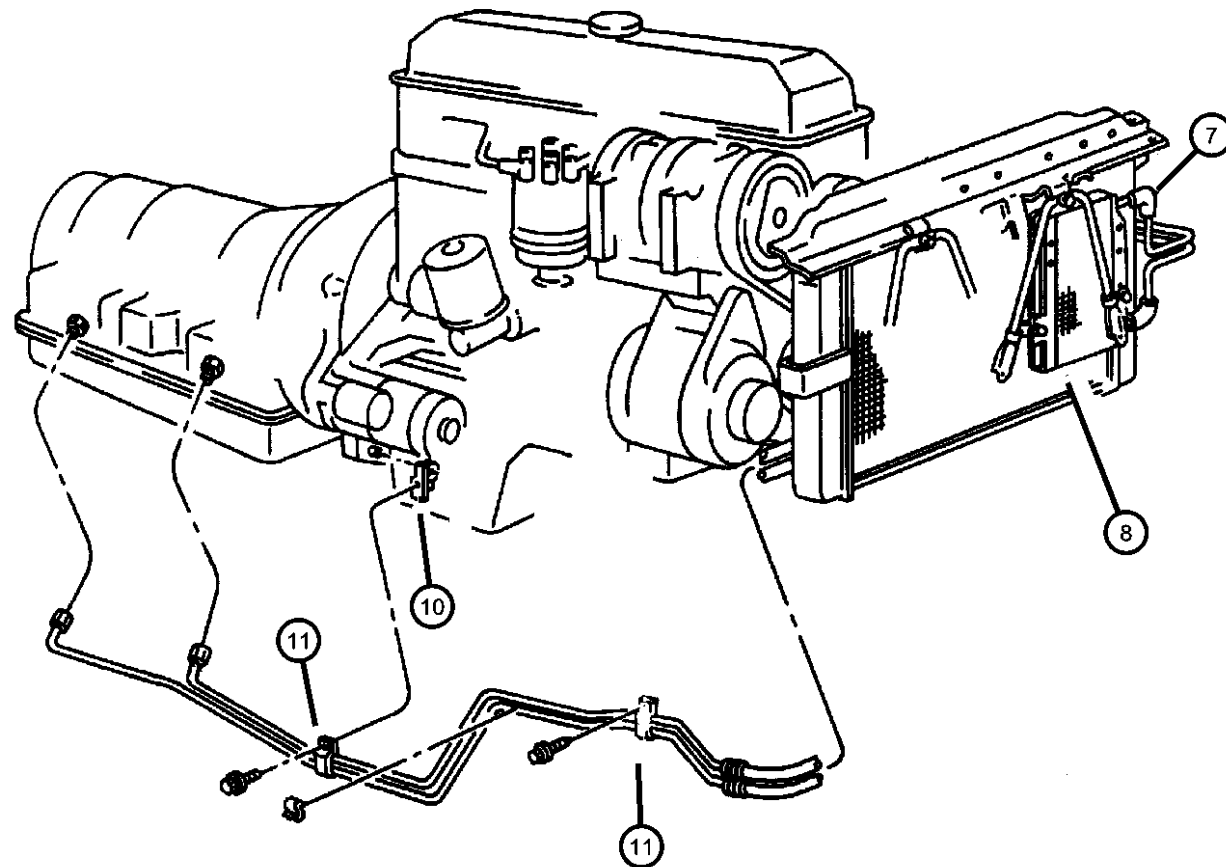
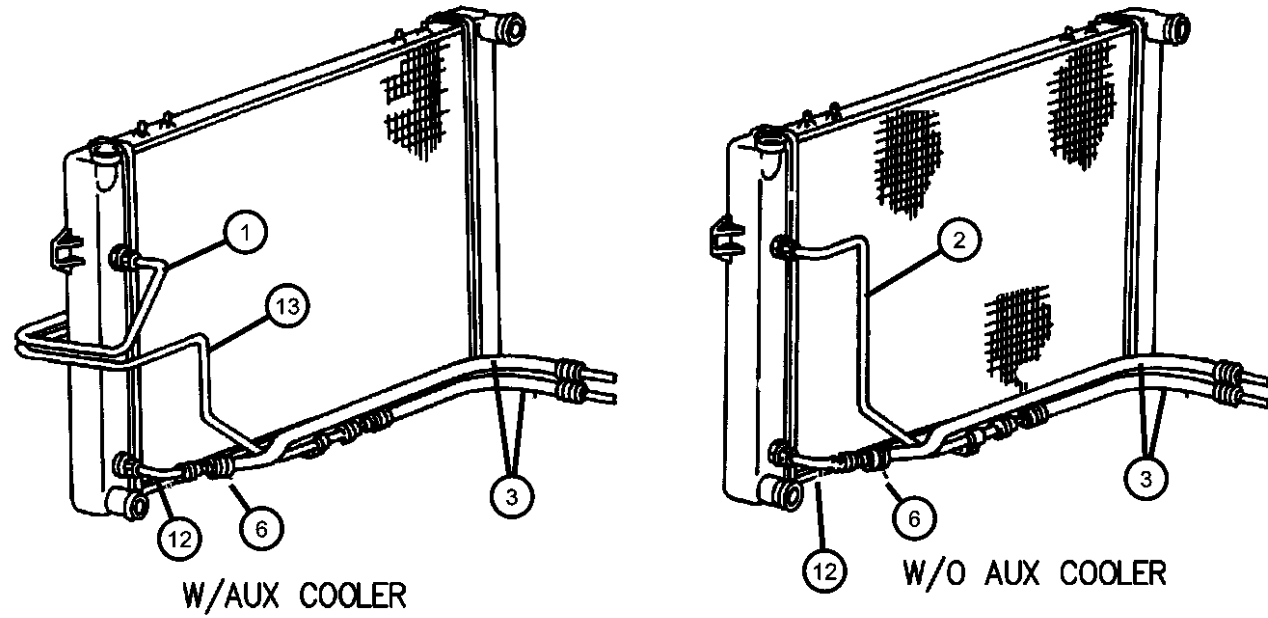
ENGINE
ELF = 5.2L V8 MPI Engine
EML = 5.9L V8 MPI Engine
ERH = 4.0L Power Tech I-6 Engine

TRANSMISSION
DGK = 4-Spd. Automatic 42RE Transmission
DGW = 4-Spd. Automatic 4RE Transmission
DG0 = Transmissions - All Automatic

AR = use ase required - = Non illustrated part

1997 ZJ

**Oil Cooler And Lines 4.0L Engine
Figure 7-620**



| ITEM | PART NUMBER | QTY | LINE | SERIES | BODY | ENGINE | TRANS | TRIM | DESCRIPTION |
|------|-------------|-----|------|--------|------|----------|-------|------|--|
| 1 | 52079588 | 1 | | | | ER0 | DGK | | TUBE, Oil Cooler Oil Cooler Pressure, Auxiliary |
| | 52079589 | 1 | | | | ER0 | DGK | | With Aux Cooler, |
| 2 | 52028519 | 1 | | | | ER0 | DGK | | TUBE, Transmission Oil Filler |
| 3 | 52079676AB | 1 | | | | ER0 | DGK | | TUBE AND HOSE, Oil Cooler, Pressure And Return Assembly |
| -4 | | | | | | | | | HOSE AND VALVE, Transmission, Repair |
| | 05066237AA | 1 | | | | EL0, EM0 | DGW | | [with 52079677AB Line] |
| | 05066448AA | 1 | | | | ER0 | DGK | | [with 52079676AB Line] |
| -5 | 52027775 | 1 | | | | ER0 | DGK | | CLIP, Oil Tube, Tube Att. |
| 6 | 52027775 | 1 | | | | | | | CLIP, (NOT SERVICED) |
| 7 | 52027684 | 2 | | | | ER0 | DGK | | ELBOW, Oil Cooler Line |
| 8 | 52027796 | 1 | | | | ER0 | DGK | | COOLER, Engine Oil |
| -9 | 06502655 | 2 | | | | | | | SCREW, Hex Head, M6x1x15 |
| 10 | 52118067 | 1 | | | | | DG0 | | BRACKET, Transmission Oil Cooler, Tube Clip Support |
| 11 | 52118067 | 1 | | | | | | | CLIP, (NOT SERVICED) |
| 12 | 52118067 | 1 | | | | | | | TUBE, Oil Cooler, Serviced With Radiator Only, (NOT SERVICED) |
| 13 | 52079589 | 1 | | | | ER0 | DGK | | TUBE, Oil CoolerAuxiliary |

GRAND CHEROKEE (ZJ)

SERIES LINE
L = LOWLINE T = JEEP - 2WD
 J = JEEP - 4WD

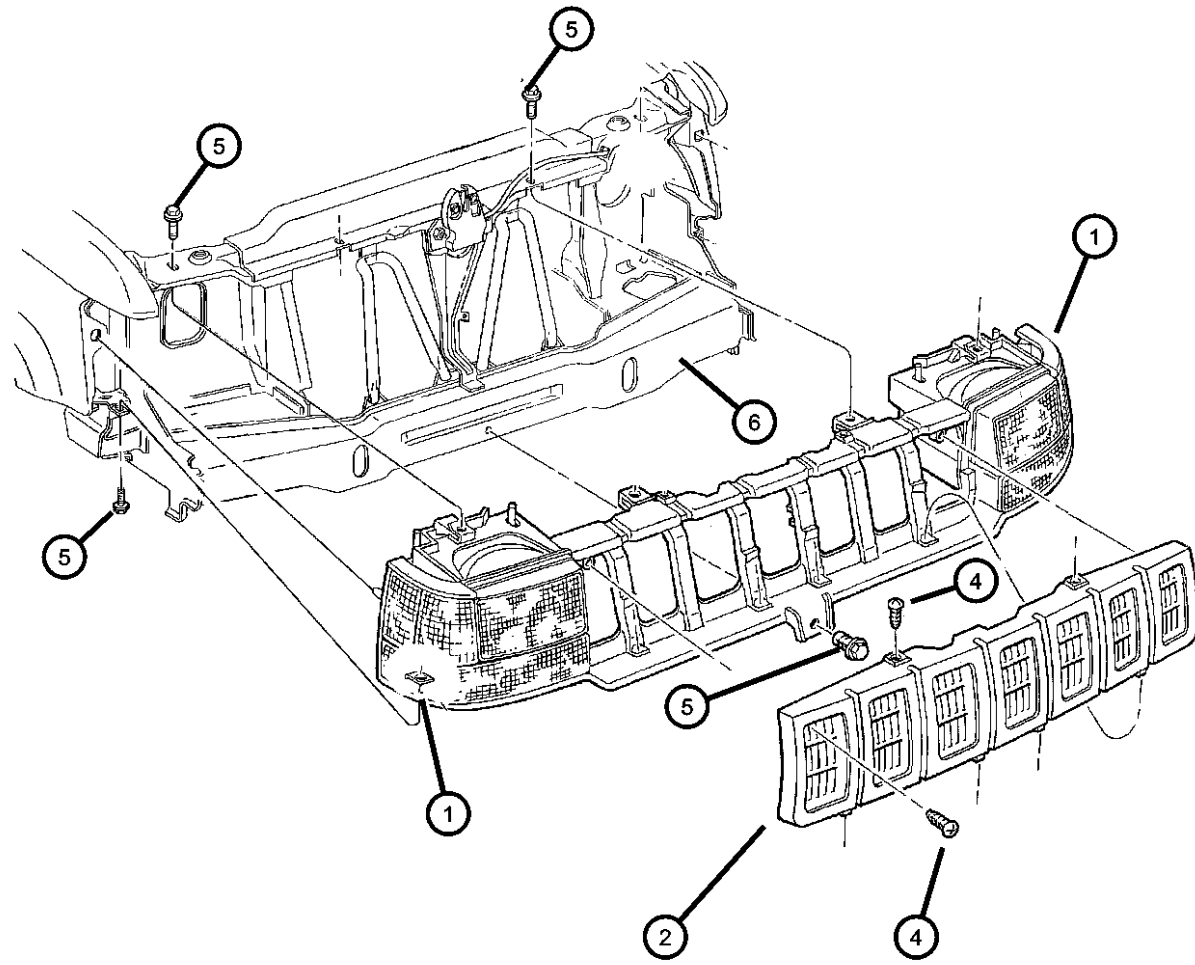
BODY
74 = SPORT UTILITY 4-DR

ENGINE
ELF = 5.2L V8 MPI Engine
EML = 5.9L V8 MPI Engine
ERH = 4.0L Power Tech I-6
Engine

TRANSMISSION
DGK = 4-Spd. Automatic 42RE
Transmission
DGW = 4-Spd. Automatic 4RE
Transmission
DG0 = Transmissions - All Automatic

AR = use ase required - = Non illustrated part

**Grille And Related Parts
Figure 7-720**



| ITEM | PART NUMBER | QTY | LINE | SERIES | BODY | ENGINE | TRANS | TRIM | DESCRIPTION |
|------|-------------|-----|------|--------|------|--------|-------|------|---------------------------------------|
| 1 | 55054996 | 1 | | | | | | | REINFORCEMENT, Grille Opening, Grille |
| 2 | | | | | | | | | GRILLE, Radiator |
| | 5DN46SEG | 1 | | | | | | | EG (MFT) |
| | 5DN46SG8 | 1 | | | | | | | G8 (MFT) |
| | 5DN46SJ7 | 1 | | | | | | | J7 (MFT) |
| | 5DN46SJN | 1 | | | | | | | JN (MFT) |
| | 5DN46SR4 | 1 | | | | | | | R4 (MFT) |
| | 5DN46SW1 | 1 | | | | | | | W1 (MFT) |
| | 5DN46SX8 | 1 | | | | | | | X8 (MFT) |
| | 5DN46TCN | 1 | | | | | | | CN (MFT) |
| | 5DN46TS4 | 1 | | | | | | | S4 (MFT) |
| | 5DN46TW4 | 1 | | | | | | | W4 (MFT) |
| | 55055059 | 1 | | | | | | | Bright |
| | 5DN46SFA | 1 | | | | | | | FA (MFT) |
| -3 | | | | | | | | | GRILLE, Radiator |
| | 5FJ121AW | 1 | | | J | | | | AW (MFN) |
| | 5FJ121CN | 1 | | | J | | | | CN (MFN) |
| | 5FJ12MS4 | 1 | | | J | | | | S4 (MFN) |
| 4 | 5FJ12MS4 | 1 | | | | | | | SCREW, (NOT SERVICED), |
| 5 | 06101455 | 5 | | | | | | | SCREW AND WASHER, Hex Head, M6x1x20 |
| 6 | 55255200 | 1 | | | | | | | CROSSMEMBER, Front Suspension, Lower |

GRAND CHEROKEE (ZJ)

SERIES LINE
 L = LOWLINE T = JEEP - 2WD
 J = JEEP - 4WD

BODY
 74 = SPORT UTILITY 4-DR

ENGINE
 ELF = 5.2L V8 MPI Engine
 EML = 5.9L V8 MPI Engine
 ERH = 4.0L Power Tech I-6 Engine

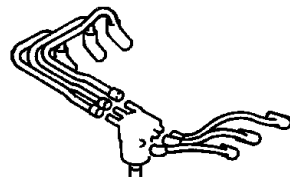
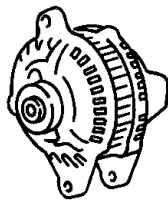
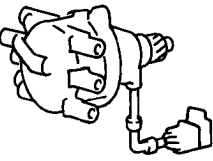
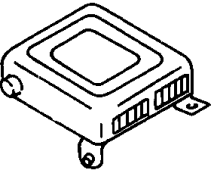
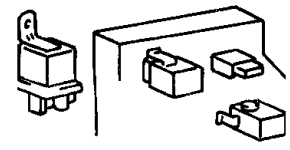

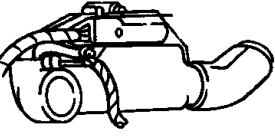
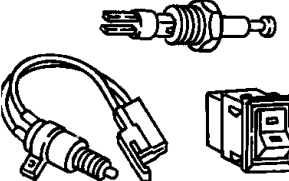
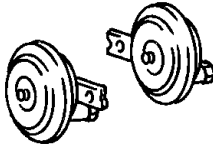
TRANSMISSION
 DGK = 4-Spd. Automatic 42RE Transmission
 DGW = 4-Spd. Automatic 4RE Transmission
 DG0 = Transmissions - All Automatic

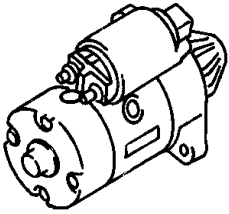
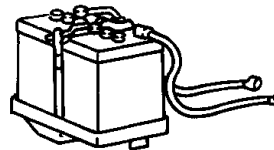
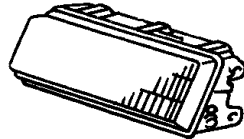
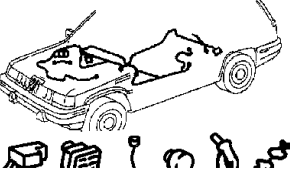

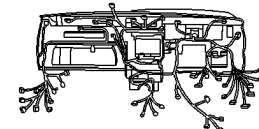
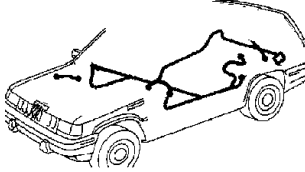
AR = use ase required - = Non illustrated part

Group - 8

Electrical

ELECTRICAL

| | | | |
|---|---|---|--|
| <p>008-1900 Spark Plugs-Cables-Coils</p>  | <p>008-200 Alternators</p>  | <p>008-300 Distributor</p>  | <p>008-400 Modules</p>  |
| <p>008-500 Relays</p>  | <p>008-600 Sensors</p>  | <p>008-700 Single Board Engine Controllers</p>  | <p>008-800 Switches</p>  |
| <p>008-900 Horns</p>  | | | |

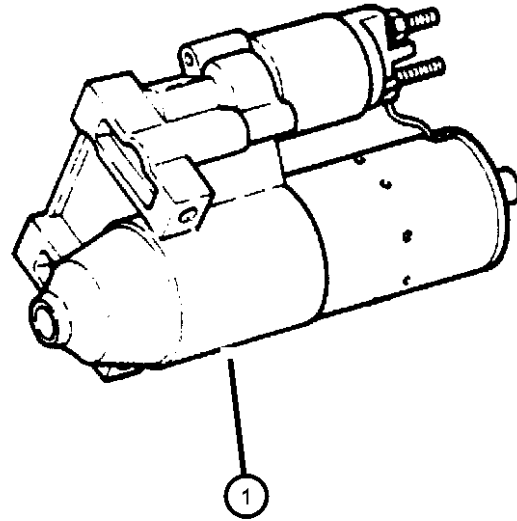
| | | | |
|---|--|--|--|
| <p>008-100 Starters</p>  | <p>008-1000 Battery Tray and Cables</p>  | <p>008-1100 Lamps - Front, Rear and Courtesy</p>  | <p>008-1200 Wiring-Engine & Related Parts</p>  |
| <p>008-1300 Wiring-Headlamp to Dash</p>  | <p>008-1400 Wiring-Instrument Panel</p>  | <p>008-1500 Wiring-Body & Accessories</p>  | <p>008-1600 Wiring Repair</p> <p>WIRING REPAIR PKG.</p> |

Group - 8 Electrical

| Illustration Title | Group-Fig. No. |
|---|----------------|
| Starters | |
| Starter & Mounting (4.0 Engine) | Fig. 8 - 110 |
| Starter & Mounting (5.2L & 5.9L Engines)..... | Fig. 8 - 120 |
| Alternators | |
| Alternator (Generator) & Mounting (4.0L Engine)..... | Fig. 8 - 210 |
| Alternator (Generator) & Mounting (5.2L & 5.9L Engines) | Fig. 8 - 220 |
| Distributor | |
| Distributor 4.0L Engine | Fig. 8 - 310 |
| Distributor 5.2L & 5.9L Engines | Fig. 8 - 320 |
| Modules | |
| Modules..... | Fig. 8 - 410 |
| Relays | |
| Relays..... | Fig. 8 - 510 |
| Sensors | |
| Sensors | Fig. 8 - 610 |
| Single Board Engine Controllers | |
| Powertrain Control Module (JTEC) | Fig. 8 - 710 |
| Switches | |
| Switches And Sending Units | Fig. 8 - 810 |
| Horns | |
| Horns..... | Fig. 8 - 910 |
| Battery Tray and Cables | |
| Battery Tray..... | Fig. 8 - 1010 |
| Battery Cables..... | Fig. 8 - 1020 |
| Lamps - Front, Rear and Courtesy | |
| Lamps--Fog..... | Fig. 8 - 1110 |
| Lamps--Front | Fig. 8 - 1120 |
| Lamps--Rear..... | Fig. 8 - 1130 |
| Lamps--Cargo-Dome-Courtesy-Underhood..... | Fig. 8 - 1140 |
| Bulbs | Fig. 8 - 1170 |
| Wiring-Engine & Related Parts | |
| Wiring Engine (Injector Wiring)..... | Fig. 8 - 1205 |
| Wiring-Headlamp to Dash | |
| Wiring Headlamp / Dash..... | Fig. 8 - 1305 |
| Wiring-Instrument Panel | |
| Wiring Instrument Panel | Fig. 8 - 1405 |
| Wiring-Body & Accessories | |
| Wiring Body & Accessories..... | Fig. 8 - 1505 |
| Wiring Repair | |
| Wiring Repair Package | Fig. 8 - 1605 |
| Spark Plugs-Cables-Coils | |
| Spark Plugs--Cables & Coil 4.0L Engine | Fig. 8 - 1910 |
| Spark Plugs--Cables & Coil 5.2L & 5.9L Engines..... | Fig. 8 - 1915 |

**Starter & Mounting (4.0 Engine)
Figure 8-110**

| ITEM | PART NUMBER | QTY | LINE | SERIES | BODY | ENGINE | TRANS | TRIM | DESCRIPTION |
|------|----------------------|-----|------|--------|------|--------|-------|------|--|
| 1 | 56041014 R6041014 | 1 | | | | ER0 | | | STARTER Mopar Remanufactured Part |
| -2 | 06503699 | 1 | | | | ER0 | | | SCREW AND WASHER, Hex Head, M10x1.5x28, Starter to Bell Housing |
| -3 | J4006192 | 1 | | | | ER0 | | | BOLT AND WASHER, Hex Head, .375-16x1.75, Starter to Bell Housing |



GRAND CHEROKEE (ZJ)

| | | | | |
|-------------|----------------------------------|-------------------------|--|--|
| SERIES | LINE | BODY | ENGINE | TRANSMISSION |
| L = LOWLINE | T = JEEP - 2WD J = JEEP - 4WD | 74 = SPORT UTILITY 4-DR | ELF = 5.2L V8 MPI Engine EML = 5.9L V8 MPI Engine ERH = 4.0L Power Tech I-6 Engine | DGK = 4-Spd. Automatic 42RE Transmission DGW = 4-Spd. Automatic 4RE Transmission DG0 = Transmissions - All Automatic |

AR = use ase required - = Non illustrated part

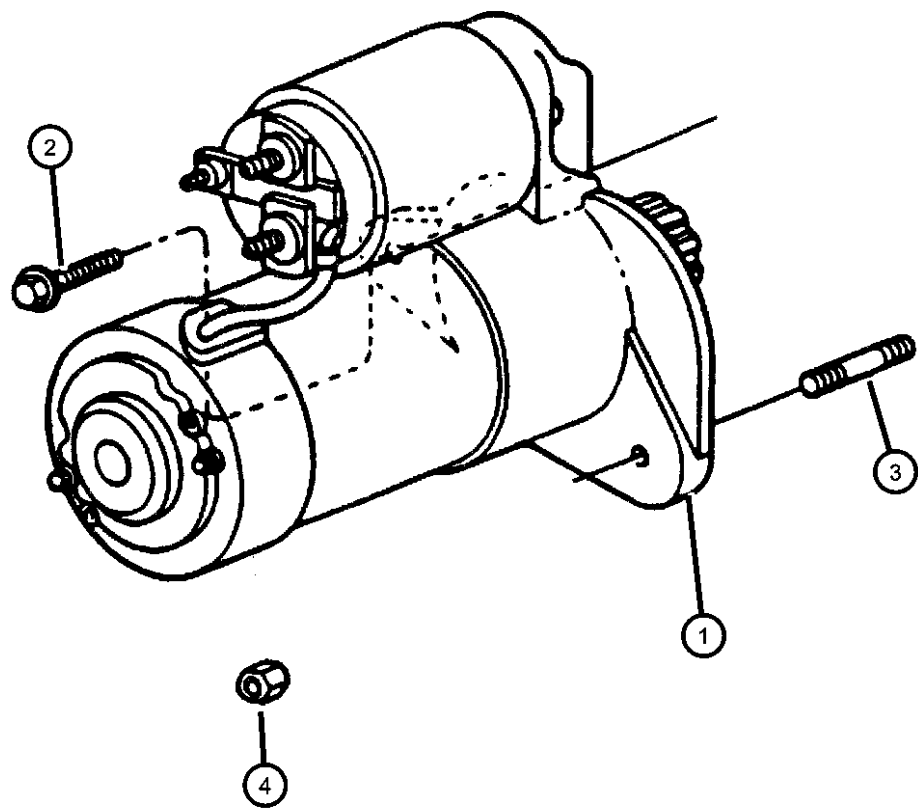
1997 ZJ

Starter & Mounting (5.2L & 5.9L Engines)

Figure 8-120

G8-120

| ITEM | PART NUMBER | QTY | LINE | SERIES | BODY | ENGINE | TRANS | TRIM | DESCRIPTION |
|------|----------------------|-----|------|--------|------|----------|-------|------|--|
| 1 | 56004934 R6004934 | 1 | | | | EL0, EM0 | | | STARTER Mopar Remanufactured Part |
| 2 | 06035604 | 1 | | | | EL0, EM0 | | | SCREW AND WASHER, Hex Head, .437-14x1.50 |
| 3 | 06035606 | 1 | | | | EL0, EM0 | | | STUD, .437-14/.437-20x2.00, Double Ended |
| 4 | 00271506 | 1 | | | | EL0, EM0 | | | NUT, Hex, .42-20 |
| -5 | 05014098AD | 1 | | | | EL0, EM0 | | | WIRING KIT, Jumper |



GRAND CHEROKEE (ZJ)

SERIES LINE
L = LOWLINE T = JEEP - 2WD
 J = JEEP - 4WD

BODY
74 = SPORT UTILITY 4-DR

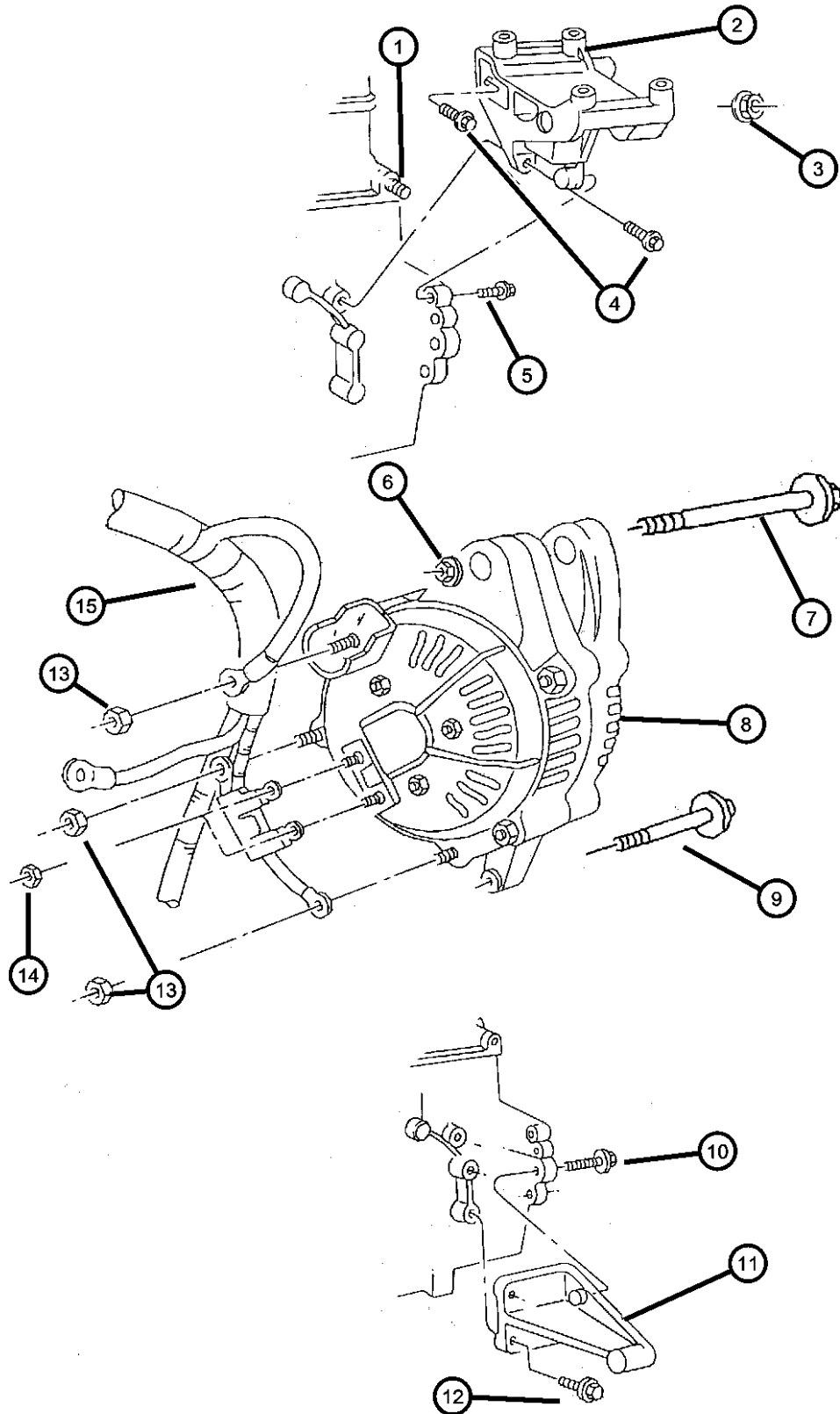
ENGINE
ELF = 5.2L V8 MPI Engine
EML = 5.9L V8 MPI Engine
ERH = 4.0L Power Tech I-6 Engine

TRANSMISSION
DGK = 4-Spd. Automatic 42RE Transmission
DGW = 4-Spd. Automatic 4RE Transmission
DG0 = Transmissions - All Automatic

AR = use ase required - = Non illustrated part

Alternator (Generator) & Mounting (4.0L Engine)

Figure 8-210



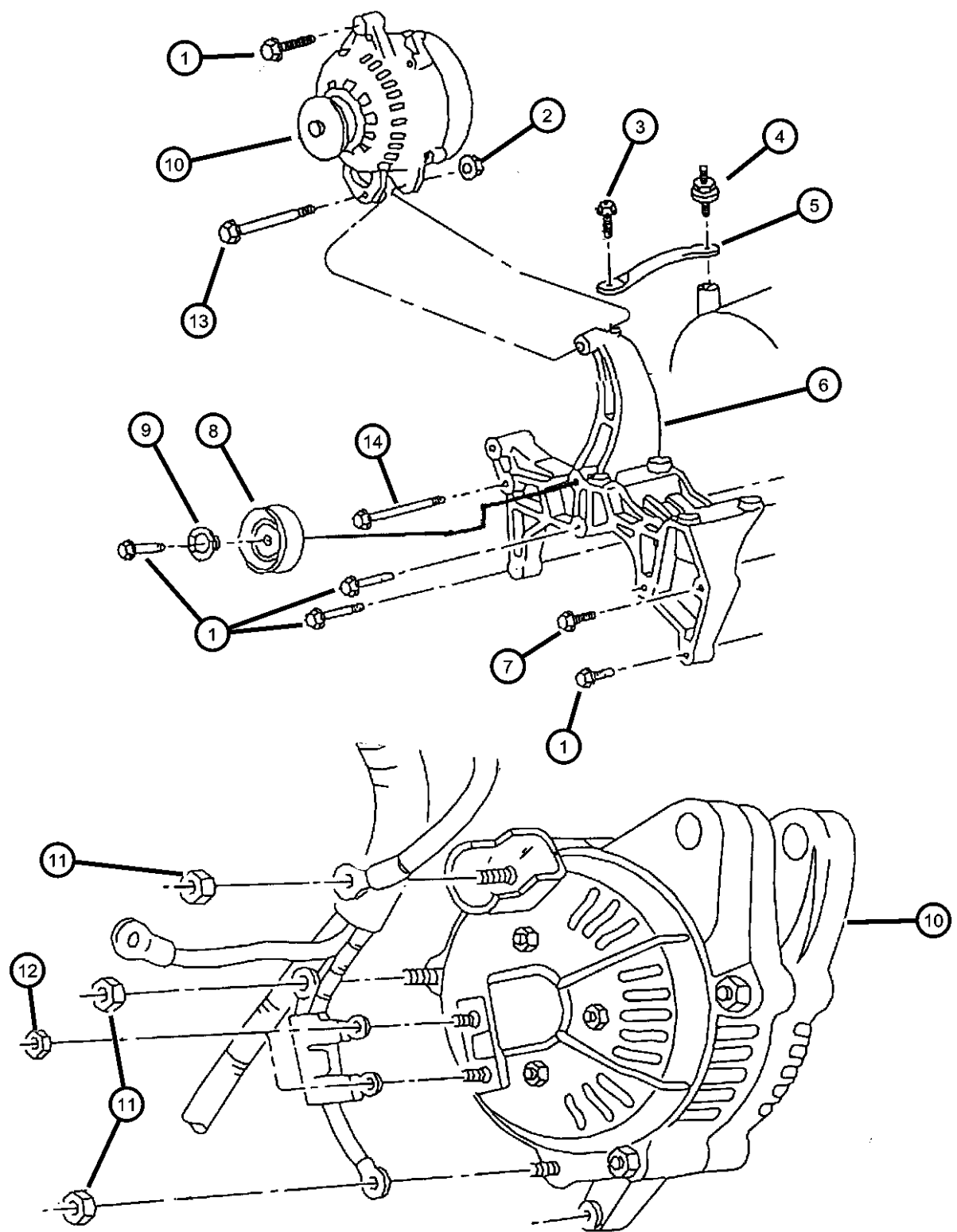
| ITEM | PART NUMBER | QTY | LINE | SERIES | BODY | ENGINE | TRANS | TRIM | DESCRIPTION |
|--|-------------|-----|------|--------|------|---------------|-------|------|--|
| Sales Code [BAU] = Alternator 117 Amp. Sales Code [BAZ] = Alternator 136 Amp. | | | | | | | | | |
| 1 | 06034462 | 1 | | | | ER0 | | | STUD, Double Ended, .375-16x1.88, Alternator Mounting Bracket to Cylinder Head |
| 2 | 53010224 | 1 | | | | ER0 | | | BRACKET, Alternator And Compressor |
| 3 | 00152344 | 1 | | | | ER0 | | | NUT, .375-16, Mounting Bracket to Cylinder Head |
| 4 | 06025063 | 2 | | | | ER0 | | | SCREW AND WASHER, .375-16x1.125, Hex Head |
| 5 | 06035439 | 1 | | | | ER0 | | | SCREW AND WASHER, Hex Head |
| 6 | 06502135 | 1 | | | | ER0 | | | NUT, Hex Flange, M10x1.5 |
| 7 | 06502134 | 1 | | | | ER0 | | | BOLT, Hex Flange Head, M10x1.50x110 |
| 8 | | | | | | | | | ALTERNATOR |
| | 56005685 | 1 | | | | ER0 | | | 117 Amp, [BAU] |
| | 56005686 | 1 | | | | ER0 | | | 136 Amp, [BAZ] |
| 9 | 06502136 | 1 | | | | ER0 | | | BOLT, Hex Flange Head, M10x1.50x55 |
| 10 | 06033949 | 2 | | | | ER0 | | | BOLT, Hex Head, .375-16x2.50 |
| 11 | 53007606 | 1 | | | | ER0 | | | BRACKET, Alternator, Rear Mounting |
| 12 | 06025063 | 2 | | | | ER0 | | | SCREW AND WASHER, .375-16x1.125, Hex Flange Head |
| 13 | 06502691 | 3 | | | | EL0, EM0, ER0 | | | NUT, Hex Flange Lock, M6x1, Alternator Ground |
| 14 | 06502690 | 2 | | | | EL0, EM0, ER0 | | | NUT, Plastic Inserted Self Locking, M4 x 0.70, Nylon |
| 15 | 56009115 | 1 | | | | ER0 | | | WIRING, Alternator and Battery |

GRAND CHEROKEE (ZJ)

| | | | | |
|-------------|----------------------------------|-------------------------|--|--|
| SERIES | LINE | BODY | ENGINE | TRANSMISSION |
| L = LOWLINE | T = JEEP - 2WD J = JEEP - 4WD | 74 = SPORT UTILITY 4-DR | ELF = 5.2L V8 MPI Engine EML = 5.9L V8 MPI Engine ERH = 4.0L Power Tech I-6 Engine | DGK = 4-Spd. Automatic 42RE Transmission DGW = 4-Spd. Automatic 4RE Transmission DG0 = Transmissions - All Automatic |

AR = use ase required - = Non illustrated part

Alternator (Generator) & Mounting (5.2L & 5.9L Engines)
Figure 8-220



| ITEM | PART NUMBER | QTY | LINE | SERIES | BODY | ENGINE | TRANS | TRIM | DESCRIPTION |
|------|-------------|-----|------|--------|------|--------|-------|------|-------------|
|------|-------------|-----|------|--------|------|--------|-------|------|-------------|

Sales Code [BAU] = Alternator 117 Amp.
 Sales Code [BAZ] = Alternator 136 Amp.

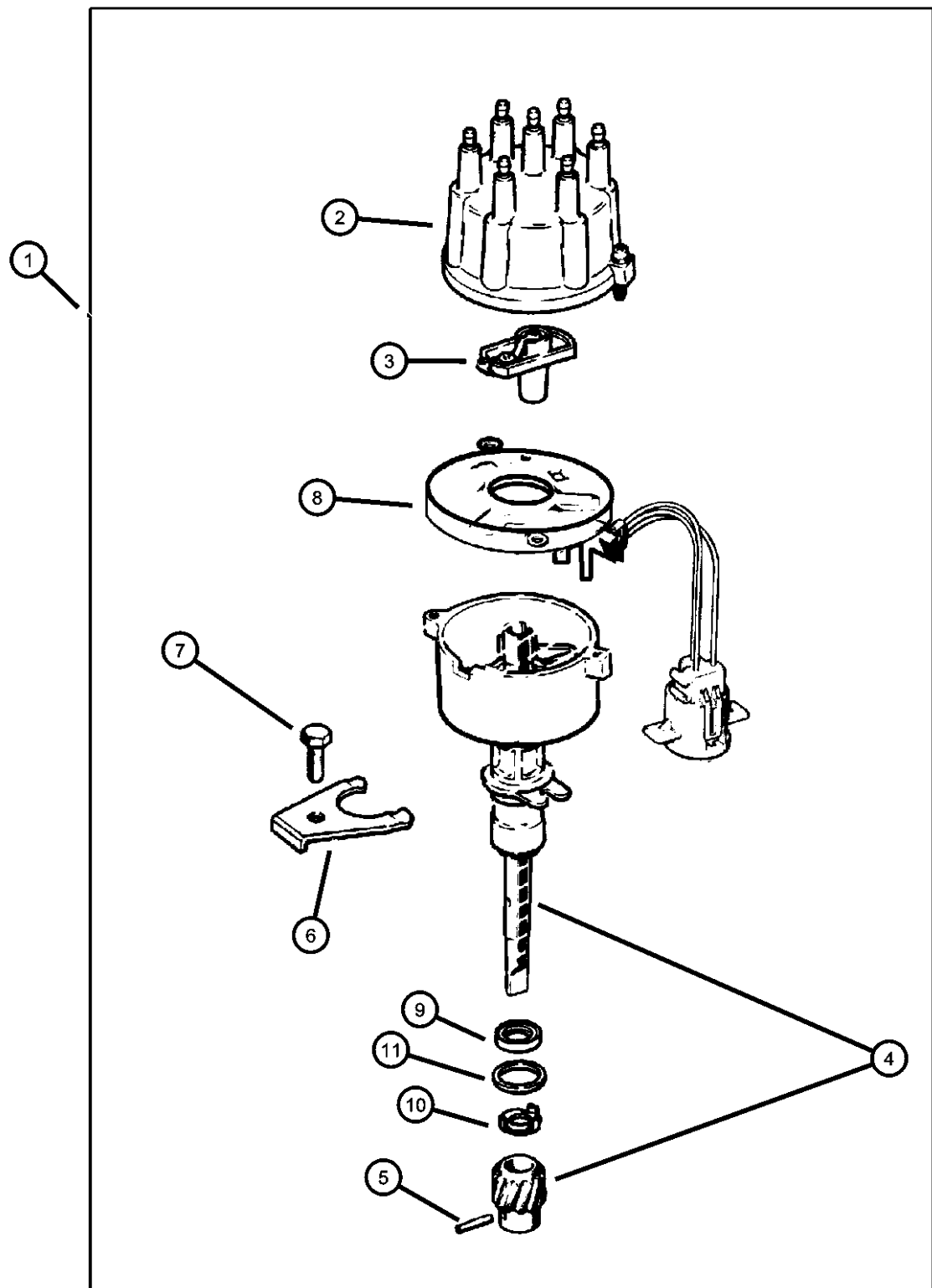
| | | | | | | | | | |
|----|----------|---|--|--|--|---------------|--|--|---|
| 1 | 56009115 | 1 | | | | | | | SCREW AND WASHER, (NOT SERVICED) |
| 2 | 56009115 | 1 | | | | | | | NUT, .375-16, (NOT SERVICED) |
| 3 | 56009115 | 1 | | | | | | | SCREW AND WASHER, 3/8-16X1.00, (NOT SERVICED) |
| 4 | 06034438 | 1 | | | | ELO, EMO | | | STUD, .312-18/.375-16x1.750, Alternator or Brace to Intake Manifold |
| 5 | 53008746 | 1 | | | | ELO, EMO | | | BRACE, Alternator |
| 6 | 53008614 | 1 | | | | ELO, EMO | | | BRACKET, Alternator And Compressor, Mounting |
| 7 | 06034246 | 1 | | | | ELO, EMO | | | BOLT, Hex Head, .375-16x.75, Alternator Bracket to Cylinder Head |
| 8 | 53009508 | 1 | | | | ELO, EMO | | | PULLEY, Idler |
| 9 | 33002201 | 1 | | | | ELO | | | BUSHING, Idler Pulley |
| 10 | 56027912 | 1 | | | | ELO, EMO | | | ALTERNATOR, Electrical |
| 11 | 06502691 | 3 | | | | ELO, EMO, ERO | | | NUT, Hex Flange Lock, M6x1, Alternator |
| 12 | 06502690 | 2 | | | | ELO, EMO, ERO | | | NUT, Plastic Inserted Self Locking, M4 x 0.70, Hex, Nylon |
| 13 | 06034247 | 1 | | | | ELO, EMO | | | BOLT, Hex Head, .375-16x.25, Alternator Pivot |
| 14 | 06034247 | 1 | | | | ELO, EMO | | | BOLT, Hex Head, .375-16x.25, Alternator Bracket to Cylinder Head |

GRAND CHEROKEE (ZJ)

| SERIES | LINE | BODY | ENGINE | TRANSMISSION |
|-------------|----------------------------------|-------------------------|--|--|
| L = LOWLINE | T = JEEP - 2WD J = JEEP - 4WD | 74 = SPORT UTILITY 4-DR | ELF = 5.2L V8 MPI Engine EML = 5.9L V8 MPI Engine ERH = 4.0L Power Tech I-6 Engine | DGK = 4-Spd. Automatic 42RE Transmission DGW = 4-Spd. Automatic 4RE Transmission DG0 = Transmissions - All Automatic |

AR = use ase required - = Non illustrated part

Distributor 4.0L Engine
Figure 8-310



| ITEM | PART NUMBER | QTY | LINE | SERIES | BODY | ENGINE | TRANS | TRIM | DESCRIPTION |
|------|-------------|-----|------|--------|------|--------|-------|------|---|
| 1 | 56027028 | 1 | | | | ER0 | | | DISTRIBUTOR, Engine |
| 2 | 56026876 | 1 | | | | ER0 | | | CAP, Distributor |
| 3 | 56027019 | 1 | | | | ER0 | | | ROTOR, Distributor |
| 4 | 83504635 | 1 | | | | ER0 | | | GEAR, Distributor Drive |
| 5 | 09422127 | 1 | | | | ER0 | | | ROLL PIN, .19x.75 |
| 6 | 33004242 | 1 | | | | ER0 | | | CLAMP, Distributor |
| 7 | | | | | | | | | BOLT, Hex Head, .25-28x1-5/8 |
| | 06033479 | 6 | J | | | ER0 | DGK | | |
| | | 6 | T | | | ER0 | DGK | | |
| 8 | 56027023 | 1 | | | | ER0 | | | SWITCHPLATE, Distributor |
| 9 | 56027023 | 1 | | | | | | | SEAL, Dist. Shaft (Serviced in Assembly Item # 1), (NOT SERVICED) |
| 10 | 33004594 | 1 | | | | ER0 | | | WASHER, Distributor Gear, Tabbed |
| 11 | 53009078 | 1 | | | | ER0 | | | WASHER, Distributor Gear, Thrust |

GRAND CHEROKEE (ZJ)

SERIES LINE
L = LOWLINE T = JEEP - 2WD
J = JEEP - 4WD

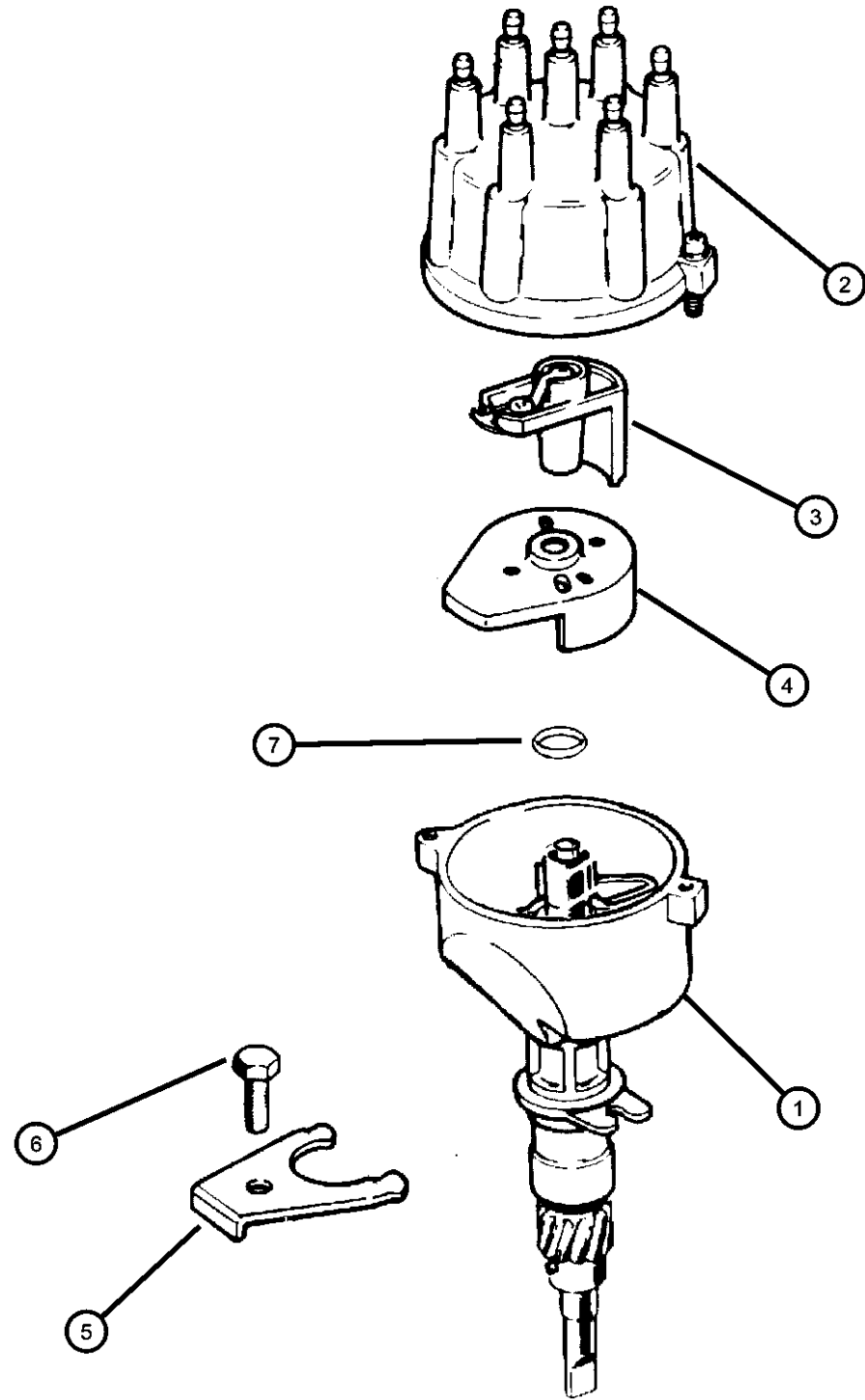
BODY
74 = SPORT UTILITY 4-DR

ENGINE
ELF = 5.2L V8 MPI Engine
EML = 5.9L V8 MPI Engine
ERH = 4.0L Power Tech I-6 Engine

TRANSMISSION
DGK = 4-Spd. Automatic 42RE Transmission
DGW = 4-Spd. Automatic 4RE Transmission
DG0 = Transmissions - All Automatic

AR = use ase required - = Non illustrated part

Distributor 5.2L & 5.9L Engines
Figure 8-320



| ITEM | PART NUMBER | QTY | LINE | SERIES | BODY | ENGINE | TRANS | TRIM | DESCRIPTION |
|------|-------------|-----|------|--------|------|----------|-------|------|--|
| 1 | 04740339 | 1 | | | | EL0, EM0 | | | DISTRIBUTOR, Engine, Partial |
| 2 | 53008767 | 1 | | | | EL0, EM0 | | | CAP, Distributor |
| 3 | 53008778 | 1 | | | | EL0, EM0 | | | ROTOR, Distributor |
| 4 | 56026746 | 1 | | | | EL0, EM0 | | | SWITCH, Distributor Pick-Up |
| 5 | 04343950 | 1 | | | | EL0, EM0 | | | CLAMP, Distributor, Hold Down |
| 6 | 06028606 | 1 | | | | EL0, EM0 | | | SCREW AND WASHER, Hex Head Lock, .312-18x1.00, Distributor Clamp |
| 7 | 02875923 | 1 | | | | EL0, EM0 | | | O RING, Distributor, Housing |

GRAND CHEROKEE (ZJ)

SERIES LINE
L = LOWLINE T = JEEP - 2WD
J = JEEP - 4WD

BODY
74 = SPORT UTILITY 4-DR

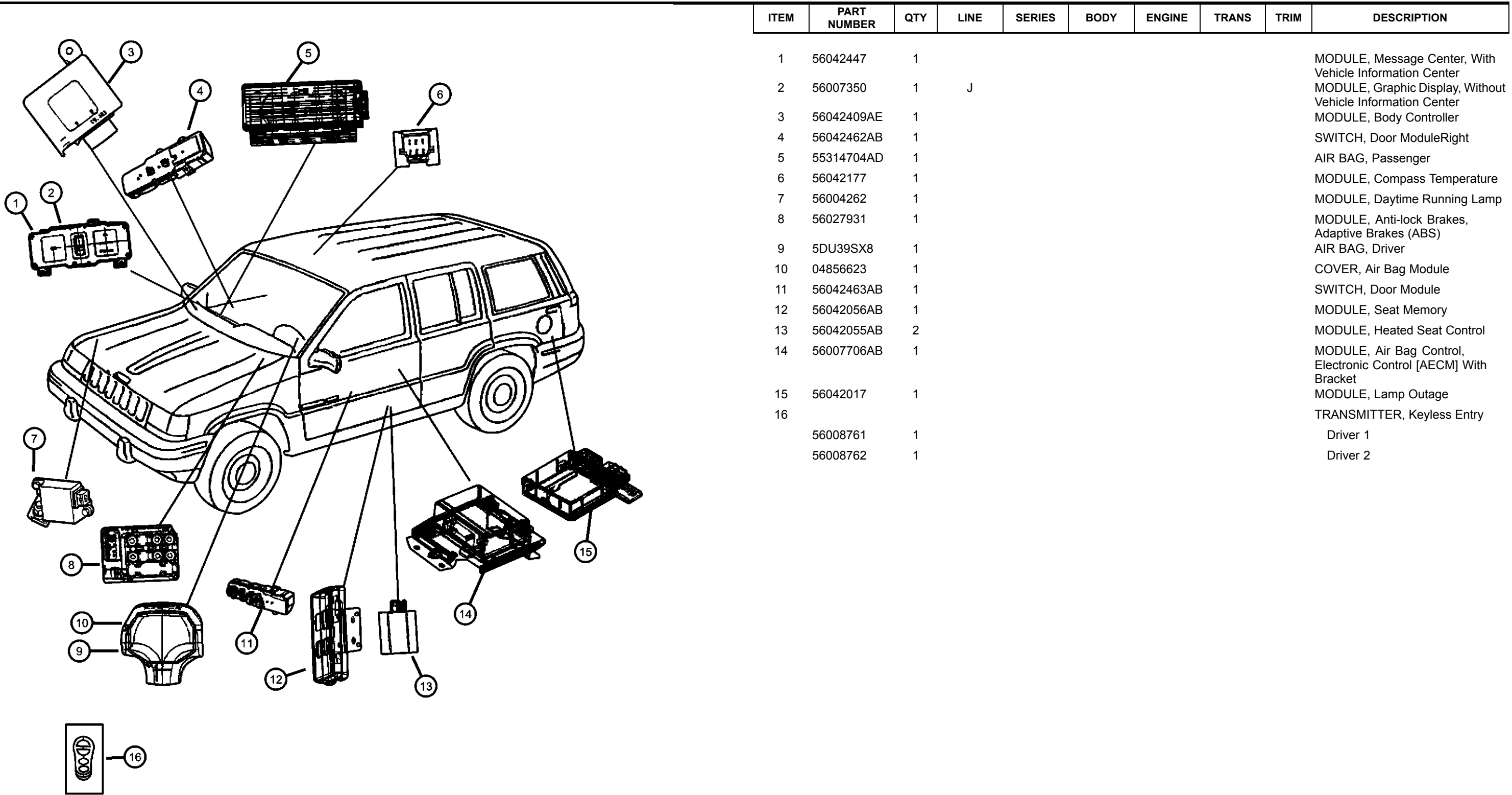
ENGINE
ELF = 5.2L V8 MPI Engine
EML = 5.9L V8 MPI Engine
ERH = 4.0L Power Tech I-6 Engine

TRANSMISSION
DGK = 4-Spd. Automatic 42RE Transmission
DGW = 4-Spd. Automatic 4RE Transmission
DG0 = Transmissions - All Automatic

AR = use ase required - = Non illustrated part

1997 ZJ

Modules
Figure 8-410



| ITEM | PART NUMBER | QTY | LINE | SERIES | BODY | ENGINE | TRANS | TRIM | DESCRIPTION |
|------|-------------|-----|------|--------|------|--------|-------|------|---|
| 1 | 56042447 | 1 | | | | | | | MODULE, Message Center, With Vehicle Information Center |
| 2 | 56007350 | 1 | J | | | | | | MODULE, Graphic Display, Without Vehicle Information Center |
| 3 | 56042409AE | 1 | | | | | | | MODULE, Body Controller |
| 4 | 56042462AB | 1 | | | | | | | SWITCH, Door ModuleRight |
| 5 | 55314704AD | 1 | | | | | | | AIR BAG, Passenger |
| 6 | 56042177 | 1 | | | | | | | MODULE, Compass Temperature |
| 7 | 56004262 | 1 | | | | | | | MODULE, Daytime Running Lamp |
| 8 | 56027931 | 1 | | | | | | | MODULE, Anti-lock Brakes, Adaptive Brakes (ABS) |
| 9 | 5DU39SX8 | 1 | | | | | | | AIR BAG, Driver |
| 10 | 04856623 | 1 | | | | | | | COVER, Air Bag Module |
| 11 | 56042463AB | 1 | | | | | | | SWITCH, Door Module |
| 12 | 56042056AB | 1 | | | | | | | MODULE, Seat Memory |
| 13 | 56042055AB | 2 | | | | | | | MODULE, Heated Seat Control |
| 14 | 56007706AB | 1 | | | | | | | MODULE, Air Bag Control, Electronic Control [AECM] With Bracket |
| 15 | 56042017 | 1 | | | | | | | MODULE, Lamp Outage |
| 16 | | | | | | | | | TRANSMITTER, Keyless Entry |
| | 56008761 | 1 | | | | | | | Driver 1 |
| | 56008762 | 1 | | | | | | | Driver 2 |

GRAND CHEROKEE (ZJ)

SERIES LINE
L = LOWLINE T = JEEP - 2WD
J = JEEP - 4WD

BODY
74 = SPORT UTILITY 4-DR

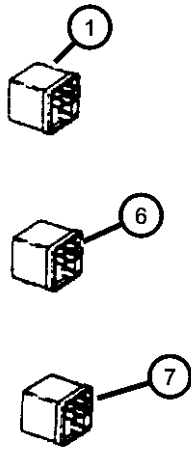
ENGINE
ELF = 5.2L V8 MPI Engine
EML = 5.9L V8 MPI Engine
ERH = 4.0L Power Tech I-6 Engine

TRANSMISSION
DGK = 4-Spd. Automatic 42RE Transmission
DGW = 4-Spd. Automatic 4RE Transmission
DG0 = Transmissions - All Automatic

AR = use ase required - = Non illustrated part

1997 ZJ

Relays
Figure 8-510



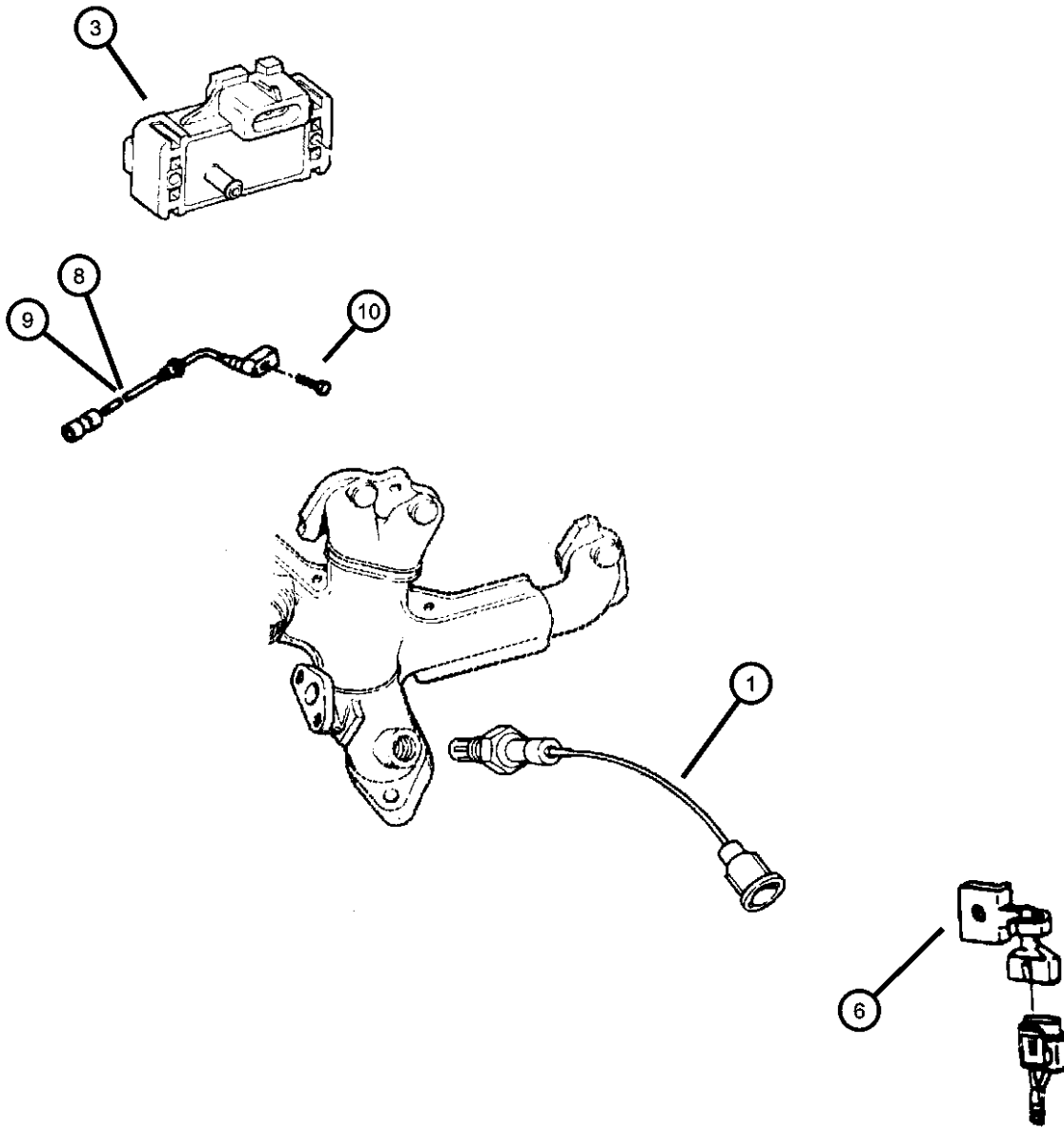
| ITEM | PART NUMBER | QTY | LINE | SERIES | BODY | ENGINE | TRANS | TRIM | DESCRIPTION |
|------|-------------|-----|------|--------|------|--------|-------|------|---|
| 1 | 04638094 | 1 | | | | | | | RELAY PACKAGE, Electrical, Trailer Tow ,Starter, Air Condition Clutch, Fog Lamp, Fuel Pump, Auto Shutdown, Anti-Lock Brake (Stamped 56006709) |
| -2 | 04638094 | 1 | | | | | | | RELAY PACKAGE, Electrical, Anti Diesel Fuel Pump ,A/C Throttle Control, Oxygen Sensor, Illumination Idle Speed Control, Trailer Tow (Includes Bracket) (Stamped. 83507045 |
| -3 | 04638094 | 1 | | | | | | | RELAY PACKAGE, Electrical, Illuminated Entry |
| -4 | 04638094 | 1 | | | | | | | RELAY PACKAGE, Electrical, Blower Fan Motor With Automatic Tempeture Control |
| -5 | 04671168 | 1 | | | | | | | RELAY, Mini, Horn |
| 6 | 56006846 | 4 | J | | 74 | | | | RELAY, Electrical, Micro Plug |
| 7 | 04671168 | 1 | | | | | | | RELAY, Mini, Fog Lamp, Wiper Intermittent |
| -8 | 04671168 | 1 | | | | | | | RELAY, Module, (Serviced With Keyless Entry Module), (NOT SERVICED) |
| -9 | 56007243 | 1 | | | | | | | FLASHER, Combination |
| -10 | 56006846 | 4 | J | | 74 | | | | RELAY, Electrical, Junction Block |
| -11 | | | | | | | | | BREAKER, Circuit |
| | 04124795 | 1 | | | | | | | 30 AMP |
| | 04604235 | 1 | | | | | | | 20 AMP |

GRAND CHEROKEE (ZJ)

| | | | | |
|-------------|----------------------------------|-------------------------|--|--|
| SERIES | LINE | BODY | ENGINE | TRANSMISSION |
| L = LOWLINE | T = JEEP - 2WD J = JEEP - 4WD | 74 = SPORT UTILITY 4-DR | ELF = 5.2L V8 MPI Engine EML = 5.9L V8 MPI Engine ERH = 4.0L Power Tech I-6 Engine | DGK = 4-Spd. Automatic 42RE Transmission DGW = 4-Spd. Automatic 4RE Transmission DG0 = Transmissions - All Automatic |

AR = use ase required - = Non illustrated part

Sensors
Figure 8-610



| ITEM | PART NUMBER | QTY | LINE | SERIES | BODY | ENGINE | TRANS | TRIM | DESCRIPTION |
|------|-------------|-----|------|--------|------|----------|-------|------|---|
| 1 | 56027917 | 1 | | | | EL0, EM0 | | | SENSOR, Oxygen With 12 Inch Pigtail |
| | 56028603 | 1 | | | | ER0 | | | With 22 Inch Pigtail |
| -2 | 56041056 | 1 | | | | | | | SENSOR, Oxygen, After Catalyst |
| 3 | 56029405 | 1 | | | | ER0 | | | SENSOR, MAP |
| | | 1 | | | | EL0, EM0 | | | |
| -4 | 06504512 | 2 | | | | EL0, EM0 | | | SCREW, Pan Head Map Sensor Mounting |
| | | 2 | | | | ER0 | | | Map Sensor Mounting |
| -5 | 06504313 | 1 | | | | ER0 | | | CLIP, Wiring, O2 Sensor Pigtail Retension |
| 6 | 55036214 | 1 | | | | | | | SENSOR, Ambient Temperature |
| -7 | 55036393 | 1 | | | | | | | SENSOR, Auto Temp. Control, In Cab |
| 8 | 56027722 | 1 | | | | | | | SENSOR, Anti-Lock Brake, Rear Right |
| | 56027723 | 1 | | | | | | | Left |
| 9 | 56005216 | 2 | J | | | | | | SENSOR, Anti-Lock Brakes, Front Right & Left |
| | | 2 | T | | | | | | Right & Left |
| 10 | 83504920 | 2 | T | | | | | | BOLT |
| | | 2 | J | | | | | | |
| -11 | 56028183 | 1 | | | | | | | SENSOR, Vehicle Speed |
| -12 | 56028182 | 1 | | | | | | | O RING, Rubber (Blue) |
| -13 | 52028031 | 1 | | | | ER0 | | | SENSOR, Coolant Level |
| | | 1 | | | | EL0, EM0 | | | |
| -14 | 04897189AA | 1 | | | | ER0 | DGK | | SENSOR, Crankshaft Position |
| | 56027870 | 1 | | | | EL0, EM0 | | | |
| -15 | 56041008 | 1 | | | | ER0 | DG0 | | SHIELD, Wiring, Sensor Cover |
| -16 | 56008759 | 1 | | | | | | | SENSOR, Headlamp, Photo |
| -17 | 55035501 | 1 | | | | | | | SENSOR, A.T.C. Sun, Solar I |

GRAND CHEROKEE (ZJ)

SERIES LINE
L = LOWLINE T = JEEP - 2WD
J = JEEP - 4WD

BODY
74 = SPORT UTILITY 4-DR

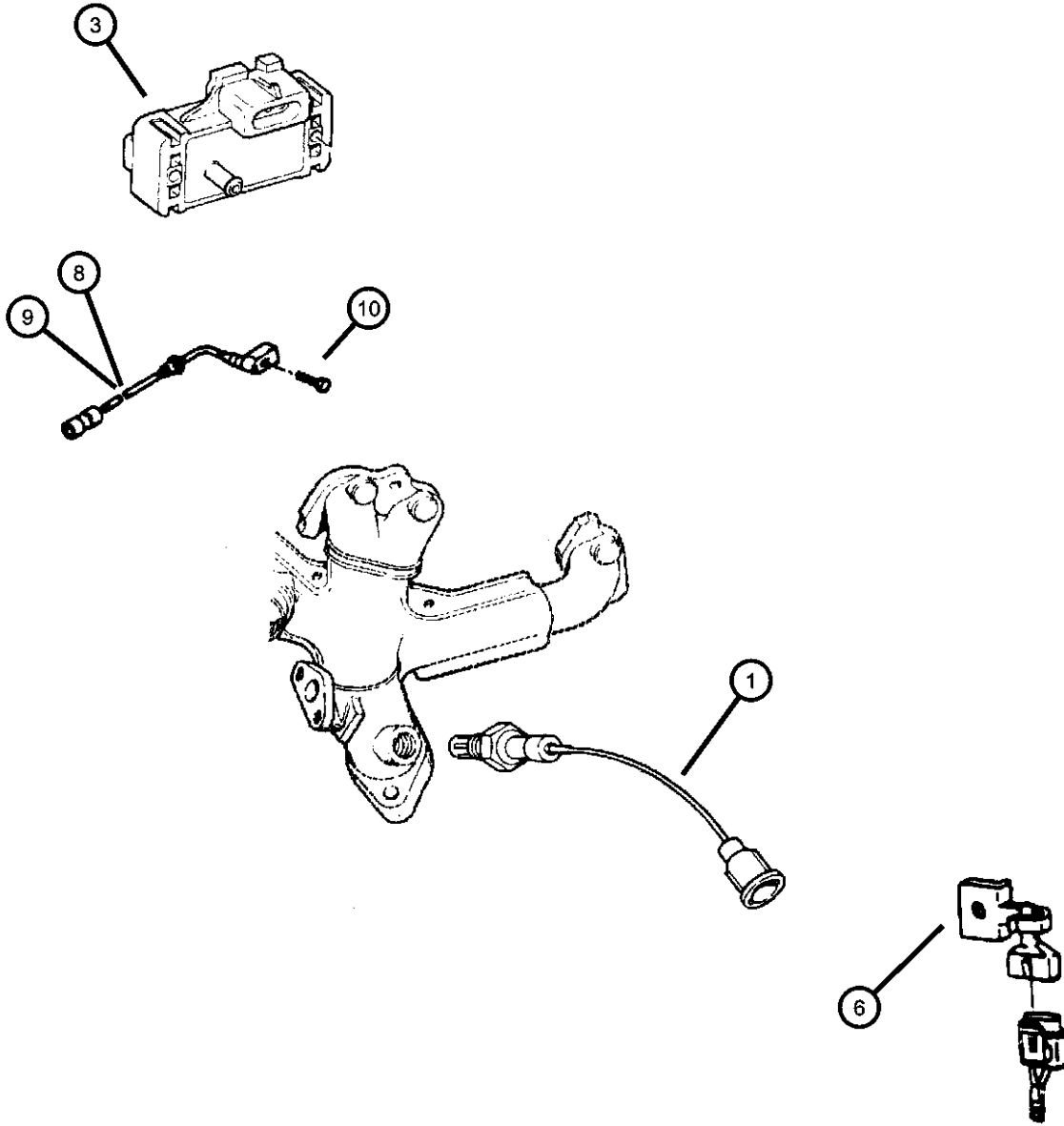
ENGINE
ELF = 5.2L V8 MPI Engine
EML = 5.9L V8 MPI Engine
ERH = 4.0L Power Tech I-6
Engine

TRANSMISSION
DGK = 4-Spd. Automatic 42RE
Transmission
DGW = 4-Spd. Automatic 4RE
Transmission
DG0 = Transmissions - All Automatic

AR = use ase required - = Non illustrated part

1997 ZJ

Sensors
Figure 8-610



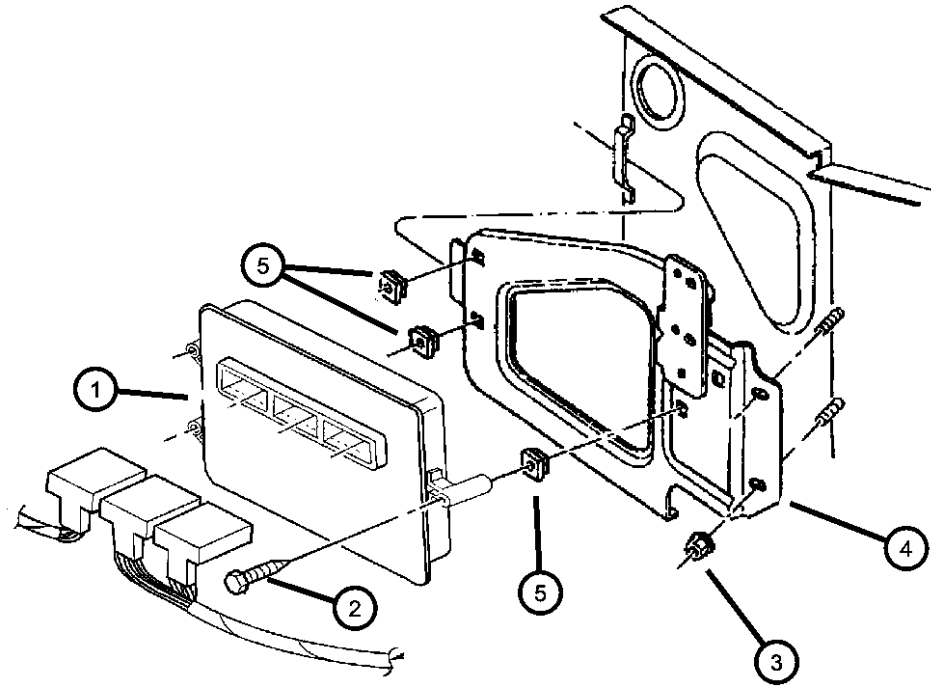
| ITEM | PART NUMBER | QTY | LINE | SERIES | BODY | ENGINE | TRANS | TRIM | DESCRIPTION |
|------|-------------|-----|------|--------|------|----------|-------|------|--|
| -18 | 55114622 | AR | J | | | | | | PLUG, Solar Sensor, With Air Condition |
| -19 | 04874371 | 1 | | | | ER0 | | | SENSOR, Throttle Position |
| | 04882219 | 1 | | | | EL0, EM0 | | | |
| -20 | 56027332 | 1 | | | | | | | SENSOR, Battery Temperature |
| -21 | 04412879 | 1 | J | | | EL0 | DGW | | SENSOR, Transmission Output Speed |
| | | 1 | T | | | ER0 | DGK | | |
| | | 1 | J | | | EM0 | DGW | | |
| -22 | 56027872 | 1 | | | | ER0 | | | SENSOR, Air Temperature |
| | | 1 | | | | EL0, EM0 | | | |
| -23 | 56027873 | 1 | | | | ER0 | | | SENSOR, Coolant Temperature |
| -24 | 56004815 | 1 | | | | EL0, EM0 | | | SENSOR, Coolant Temperature |

GRAND CHEROKEE (ZJ)

| | | | | |
|-------------|----------------------------------|-------------------------|--|--|
| SERIES | LINE | BODY | ENGINE | TRANSMISSION |
| L = LOWLINE | T = JEEP - 2WD J = JEEP - 4WD | 74 = SPORT UTILITY 4-DR | ELF = 5.2L V8 MPI Engine EML = 5.9L V8 MPI Engine ERH = 4.0L Power Tech I-6 Engine | DGK = 4-Spd. Automatic 42RE Transmission DGW = 4-Spd. Automatic 4RE Transmission DG0 = Transmissions - All Automatic |

AR = use ase required - = Non illustrated part

**Powertrain Control Module (JTEC)
Figure 8-710**



| ITEM | PART NUMBER | QTY | LINE | SERIES | BODY | ENGINE | TRANS | TRIM | DESCRIPTION |
|------|-------------|-----|------|--------|------|--------|-------|------|---|
| 1 | | | | | | | | | MODULE, Powertrain Control |
| | 56028095 | 1 | | | | EM0 | DG0 | | Federal & California |
| | 56041408AC | 1 | J | | | ELO | DG0 | | Federal |
| | 56041409AC | 1 | T | | | ELO | DG0 | | Federal |
| | 56041410AC | 1 | J | | | ELO | DG0 | | California |
| | 56041411AC | 1 | T | | | ELO | DG0 | | California |
| | 56044406AD | 1 | | | | ER0 | DG0 | | Federal |
| | 56044407AD | 1 | | | | ER0 | DG0 | | California |
| 2 | 56044407AD | 1 | | | | | | | SCREW, .190-16x2, (NOT SERVICED), |
| 3 | 06503102 | 2 | | | | | | | NUT AND WASHER, Hex Nut-Coned Washer, M6 x 1.00 |
| 4 | 56027599 | 1 | | | | | | | BRACKET, Module, JTEC Module |
| 5 | J4004959 | 3 | | | | | | | NUT, Snap In, .19 |

GRAND CHEROKEE (ZJ)

| | | | | |
|-------------|----------------------------------|-------------------------|--|--|
| SERIES | LINE | BODY | ENGINE | TRANSMISSION |
| L = LOWLINE | T = JEEP - 2WD J = JEEP - 4WD | 74 = SPORT UTILITY 4-DR | ELF = 5.2L V8 MPI Engine EML = 5.9L V8 MPI Engine ERH = 4.0L Power Tech I-6 Engine | DGK = 4-Spd. Automatic 42RE Transmission DGW = 4-Spd. Automatic 4RE Transmission DG0 = Transmissions - All Automatic |

AR = use ase required - = Non illustrated part

Switches And Sending Units
Figure 8-810

| ITEM | PART NUMBER | QTY | LINE | SERIES | BODY | ENGINE | TRANS | TRIM | DESCRIPTION | | | | | | | | |
|------|-------------|-----|------|--------|------|--------|-------|--|----------------------------------|----------|-----|--|--|-----|--|------------|---------------------------------------|
| 1 | 56031003 | 1 | | | | ERO | | | SENDING UNIT, Oil Pressure | | | | | | | | |
| | | | | | | | | | ELO, EMO | | | | | | | | |
| | | | | | | | | | 2 | J3212002 | 1 | | | | ERO | | ELBOW, Oil Gauge Sending Unit |
| | | | | | | | | | | | | | | | | | 3 |
| | | | | | | | | | 4 | 04671336 | 1 | | | | | | SWITCH, Stop Lamp, With Speed Control |
| | | | | | | | | | 5 | 56021346 | 1 | | | | | | SWITCH, Ignition |
| | | | | | | | | | 6 | 04728424 | 1 | | | | | | SWITCH, Multifunction |
| 7 | | | | | | | | SWITCH, Neutral, Safety, Back Up | | | | | | | | | |
| 5 | 03747361 | 1 | J | | | ELO | DGW | | | | | | | | | | |
| | | | | | | | | | T | ER0 | DGK | | | | | | |
| | | | | | | | | | J | ER0 | DGK | | | | | | |
| | | | | | | | | | J | EM0 | DGW | | | | | | |
| | | | | | | | | | T | ELO | DGW | | | | | | |
| 8 | 02408143 | 1 | | | | | DG0 | WASHER, Switch | | | | | | | | | |
| 9 | 56007583AB | 1 | | | | | | | Liftgate | | | | | | | | |
| | | | | | | | | | 56008784AB | 1 | | | | | | Right Door | |
| | | | | | | | | | 56008785AB | 1 | | | | | | Left Door | |
| 10 | J0103877 | 1 | | | ER0 | | | PLUG, Square Head, 1/8-27NPTx.32, Oil Sending Unit | | | | | | | | | |
| 11 | 56042618 | 1 | | | | | DG0 | | Without Heated Seats, Rear Wiper | | | | | | | | |
| | | | | | | | | | 56042619 | 1 | | | | DG0 | With Heated Seats, Rear Wiper | | |
| 12 | 56009212 | 1 | | | | | | | SWITCH, Pod | | | | | | | | |
| | | | | | | | | | 56009213 | 1 | | | | | With Automatic Headlamp & Fog Lamps | | |
| | | | | | | | | | 56009214 | 1 | | | | | Without Automatic Headlamp, With Fog Lamps | | |
| | | | | | | | | | 56009215 | 1 | | | | | With Automatic Headlamp, Without Fog Lamps | | |
| | | | | | | | | | 56009215 | 1 | | | | | Without Automatic Headlamp & Fog Lamps | | |
| 13 | 56042462AB | 1 | | | | | | | SWITCH, Door Module | | | | | | | | |
| | | | | | | | | | 56042463AB | 1 | | | | | Front Right, Module | | |
| | | | | | | | | | Front Left, Module | | | | | | | | |

GRAND CHEROKEE (ZJ)

SERIES LINE
 L = LOWLINE T = JEEP - 2WD
 J = JEEP - 4WD

BODY
 74 = SPORT UTILITY 4-DR

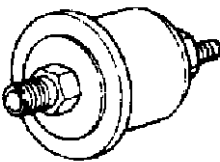


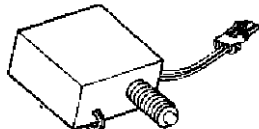
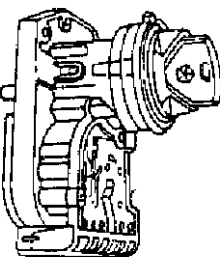
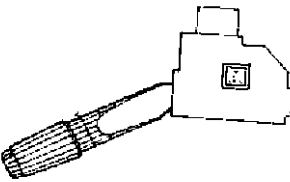
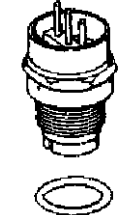

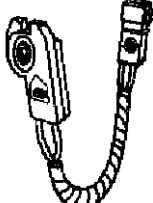

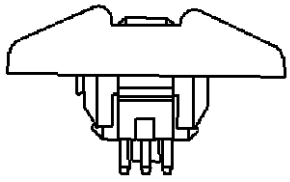
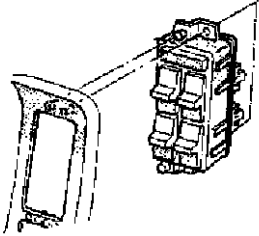
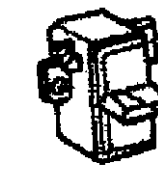
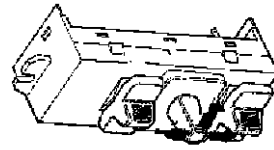

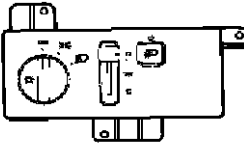
ENGINE
 ELF = 5.2L V8 MPI Engine
 EML = 5.9L V8 MPI Engine
 ERH = 4.0L Power Tech I-6 Engine

TRANSMISSION
 DGK = 4-Spd. Automatic 42RE Transmission
 DGW = 4-Spd. Automatic 4RE Transmission
 DG0 = Transmissions - All Automatic

AR = use ase required - = Non illustrated part

1997 ZJ

Switches And Sending Units
Figure 8-810

| | ITEM | PART NUMBER | QTY | LINE | SERIES | BODY | ENGINE | TRANS | TRIM | DESCRIPTION |
|--|------|-------------|-----|------|--------|------|--------|-------|------|--|
|  | 14 | 56042057 | 1 | | | | | | | SWITCH, Power WindowRear |
| | 15 | 04601756 | 1 | | | | | | | SWITCH, Seat Right |
| | | 04601757 | 1 | | | | | | | Left |
|  | -16 | 56005640 | 1 | | | | | | | SWITCH, Alarm and Cargo Lamp |
| | -17 | 56006315 | 1 | | | | | | | SWITCH, Anti Lock Brake Accelerat |
| | 18 | 56042064 | 2 | | | | | | | SWITCH, 1 Gang, Power Lumbar, Power Sunroof |
|  | -19 | 55076391AB | 1 | | | | | | | HANDLE AND SWITCH, Liftgate, Limited, With Handle |
| | -20 | 56007022 | 1 | | | | | | | SWITCH, Liftgate, With Flip Up Glass |
| | -21 | 56007242 | 1 | | | | | | | PLUG, Sealing, Without Flip Up Glass |
|  | -22 | | | | | | | | | SWITCH, Remote Radio Right |
| | | 56007338 | 1 | | | | | | | Left |
| | | 56007339 | 1 | | | | | | | |
|  | -23 | 04373860 | 1 | | | | | | | SWITCH, Door Lock, Power Sunroof |
| | -24 | | | | | | | | | SWITCH, Speed Control Right |
| | | 56007336 | 1 | | | | | | | Left |
|  | -25 | 56007272 | 1 | | | | | | | SWITCH, Memory Selector |
| | -26 | | | | | | | | | BEZEL, Door Trim Panel [AZ], Memory Switch |
| | | 0PH97SC3 | 1 | | | | | | | [C3], Memory Switch |
|  | | 0PH97ST6 | 1 | | | | | | | [T6], Memory Switch |
| | | 0PH97TJ4 | 1 | | | | | | | [TJ], Memory Switch |
| | | | | | | | | | | |
|  | | | | | | | | | | |
| | | | | | | | | | | |
| | | | | | | | | | | |
|  | | | | | | | | | | |
| | | | | | | | | | | |
| | | | | | | | | | | |
|  | | | | | | | | | | |
| | | | | | | | | | | |
| | | | | | | | | | | |
|  | | | | | | | | | | |
| | | | | | | | | | | |
| | | | | | | | | | | |
|  | | | | | | | | | | |
| | | | | | | | | | | |
| | | | | | | | | | | |
|  | | | | | | | | | | |
| | | | | | | | | | | |
| | | | | | | | | | | |
|  | | | | | | | | | | |
| | | | | | | | | | | |
| | | | | | | | | | | |
|  | | | | | | | | | | |
| | | | | | | | | | | |
| | | | | | | | | | | |
|  | | | | | | | | | | |
| | | | | | | | | | | |
| | | | | | | | | | | |

GRAND CHEROKEE (ZJ)

SERIES LINE
L = LOWLINE T = JEEP - 2WD
J = JEEP - 4WD

BODY
74 = SPORT UTILITY 4-DR

ENGINE
ELF = 5.2L V8 MPI Engine
EML = 5.9L V8 MPI Engine
ERH = 4.0L Power Tech I-6
Engine

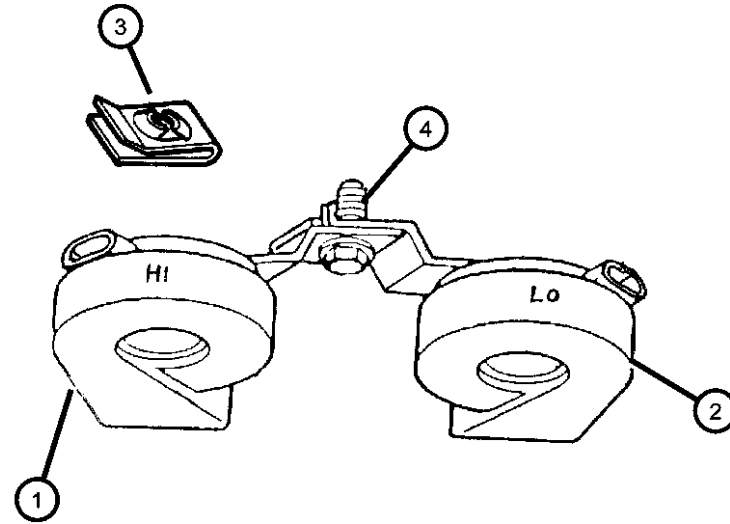
TRANSMISSION
DGK = 4-Spd. Automatic 42RE
Transmission
DGW = 4-Spd. Automatic 4RE
Transmission
DG0 = Transmissions - All Automatic

AR = use ase required - = Non illustrated part

1997 ZJ

Horns
Figure 8-910

| ITEM | PART NUMBER | QTY | LINE | SERIES | BODY | ENGINE | TRANS | TRIM | DESCRIPTION |
|------|-------------|-----|------|--------|------|--------|-------|------|---|
| 1 | 04886257AA | 1 | | | | | | | HORN AND BRACKET, High Note, With Bracket |
| 2 | 04886256AA | 1 | | | | | | | HORN AND BRACKET, Low Note, With Bracket |
| 3 | 06101283 | 1 | | | | | | | U-NUT, M8x1.25 |
| 4 | 06101283 | 1 | | | | | | | SCREW, M8x1.25x22.00, (NOT SERVICED) |

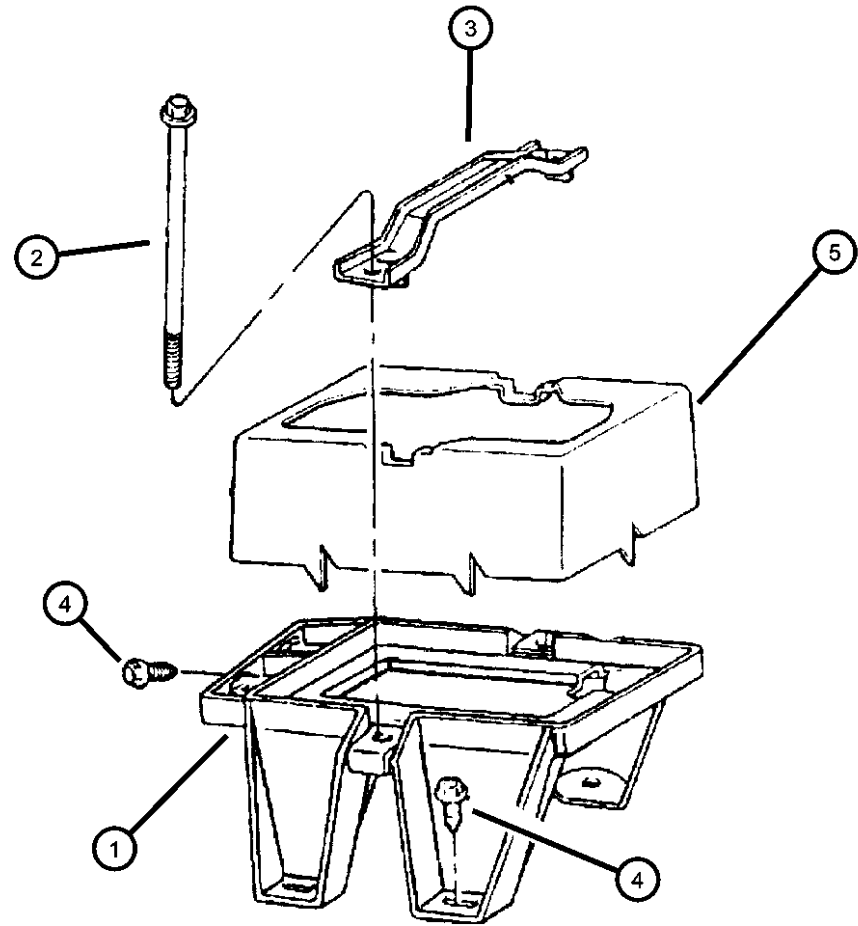


GRAND CHEROKEE (ZJ)

| | | | | |
|-------------|----------------------------------|-------------------------|--|--|
| SERIES | LINE | BODY | ENGINE | TRANSMISSION |
| L = LOWLINE | T = JEEP - 2WD J = JEEP - 4WD | 74 = SPORT UTILITY 4-DR | ELF = 5.2L V8 MPI Engine EML = 5.9L V8 MPI Engine ERH = 4.0L Power Tech I-6 Engine | DGK = 4-Spd. Automatic 42RE Transmission DGW = 4-Spd. Automatic 4RE Transmission DG0 = Transmissions - All Automatic |

AR = use ase required - = Non illustrated part

Battery Tray
Figure 8-1010



| ITEM | PART NUMBER | QTY | LINE | SERIES | BODY | ENGINE | TRANS | TRIM | DESCRIPTION |
|------|-------------|-----|------|--------|------|---------------|-------|------|---|
| 1 | 55296088 | 1 | | | | EL0, EM0, ERO | | | SUPPORT, Battery |
| | JEEP034770 | | | | | | | | Mopar Jeep Xtreme |
| | BAUNV34650 | | | | | | | | Mopar Universal Battery |
| | BAUNV75450 | | | | | | | | Mopar Universal Battery |
| | BA078770EX | | | | | | | | Mopar Power Pro 7 |
| | BA034500EX | | | | | | | | Mopar Power Pro 5 |
| | BA034600EX | | | | | | | | Mopar Power Pro 6 |
| 2 | 06502783 | 2 | | | | | | | BOLT, Hex Flange Head, M8x1.25x215, Battery Hold Down |
| 3 | 55014361 | 1 | | | | | | | BRACKET, Battery Hold Down |
| 4 | 06101455 | 5 | | | | | | | SCREW AND WASHER, Hex Head, M6x1x20 |
| 5 | 56027073AB | 1 | | | | | | | COVER, Battery |

GRAND CHEROKEE (ZJ)

SERIES

L = LOWLINE

LINE

T = JEEP - 2WD

J = JEEP - 4WD

BODY

74 = SPORT UTILITY 4-DR

ENGINE

ELF = 5.2L V8 MPI Engine

EML = 5.9L V8 MPI Engine

ERH = 4.0L Power Tech I-6 Engine

TRANSMISSION

DGK = 4-Spd. Automatic 42RE

Transmission

DGW = 4-Spd. Automatic 4RE

Transmission

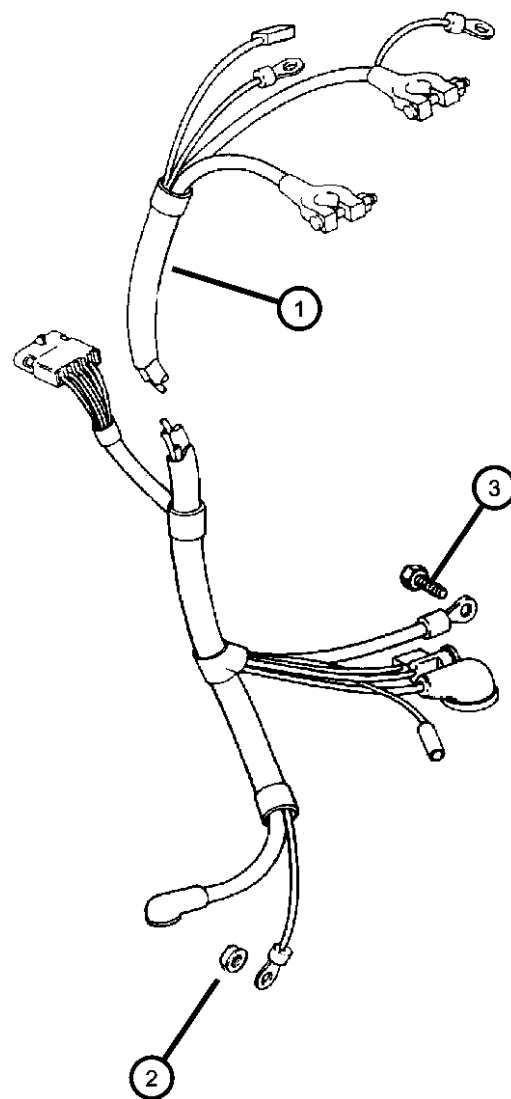
DG0 = Transmissions - All Automatic

AR = use ase required - = Non illustrated part

1997 ZJ

Battery Cables
Figure 8-1020

| ITEM | PART NUMBER | QTY | LINE | SERIES | BODY | ENGINE | TRANS | TRIM | DESCRIPTION |
|------|-------------|-----|------|--------|------|------------------|-------|------|---|
| 1 | 56009115 | 1 | | | | ER0 | | | WIRING, Alternator and Battery |
| | 56009116 | 1 | | | | EL0, EM0 | | | |
| 2 | 06035051 | 1 | | | | EL0, EM0, ER0 | | | NUT AND WASHER, Hex, .312-18 |
| 3 | 06035051 | 1 | | | | | | | SCREW AND WASHER, .375-16x.625, (NOT SERVICED) |

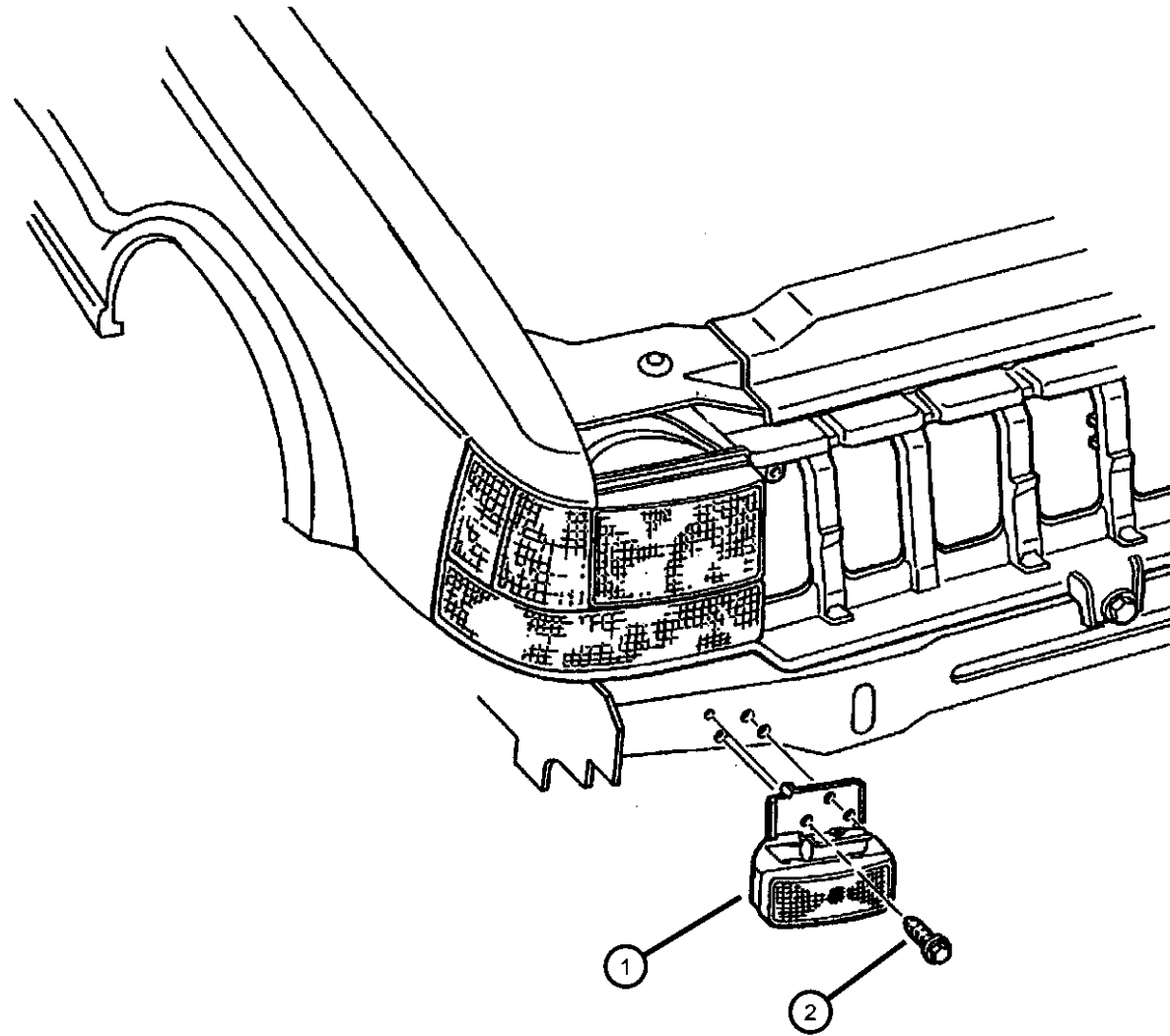


GRAND CHEROKEE (ZJ)

| | | | | |
|-------------|----------------------------------|-------------------------|--|--|
| SERIES | LINE | BODY | ENGINE | TRANSMISSION |
| L = LOWLINE | T = JEEP - 2WD J = JEEP - 4WD | 74 = SPORT UTILITY 4-DR | ELF = 5.2L V8 MPI Engine EML = 5.9L V8 MPI Engine ERH = 4.0L Power Tech I-6 Engine | DGK = 4-Spd. Automatic 42RE Transmission DGW = 4-Spd. Automatic 4RE Transmission DG0 = Transmissions - All Automatic |

AR = use ase required - = Non illustrated part

Lamps--Fog
Figure 8-1110



| ITEM | PART NUMBER | QTY | LINE | SERIES | BODY | ENGINE | TRANS | TRIM | DESCRIPTION |
|------|-------------|-----|------|--------|------|--------|-------|------|------------------------|
| 1 | | | | | | | | | LAMP, Fog |
| | 55155312 | 1 | | | | | | | Right |
| | 55155313 | 1 | | | | | | | Left |
| 2 | 55155313 | 1 | | | | | | | SCREW, (NOT SERVICED) |
| -3 | 04728646 | 1 | | | | | | | BULB PACKAGE, 55 Watt |
| -4 | 04856398 | 1 | | | | | | | COVER, Fog Lamp |
| -5 | | | | | | | | | BRACKET, Fog Lamp |
| | 04856394 | 1 | | | | | | | Right |
| | 04856395 | 1 | | | | | | | Left |
| -6 | 04856396 | 1 | | | | | | | PLATE, Lamp |
| -7 | 04856397 | 1 | | | | | | | BOLT, Fog Lamp Bracket |
| -8 | 04805147 | 1 | | | | | | | VENT, Headlamp |
| -9 | 04883017 | 1 | | | | | | | WIRING, Fog Lamp |

GRAND CHEROKEE (ZJ)

SERIES LINE
L = LOWLINE T = JEEP - 2WD
 J = JEEP - 4WD

BODY
74 = SPORT UTILITY 4-DR

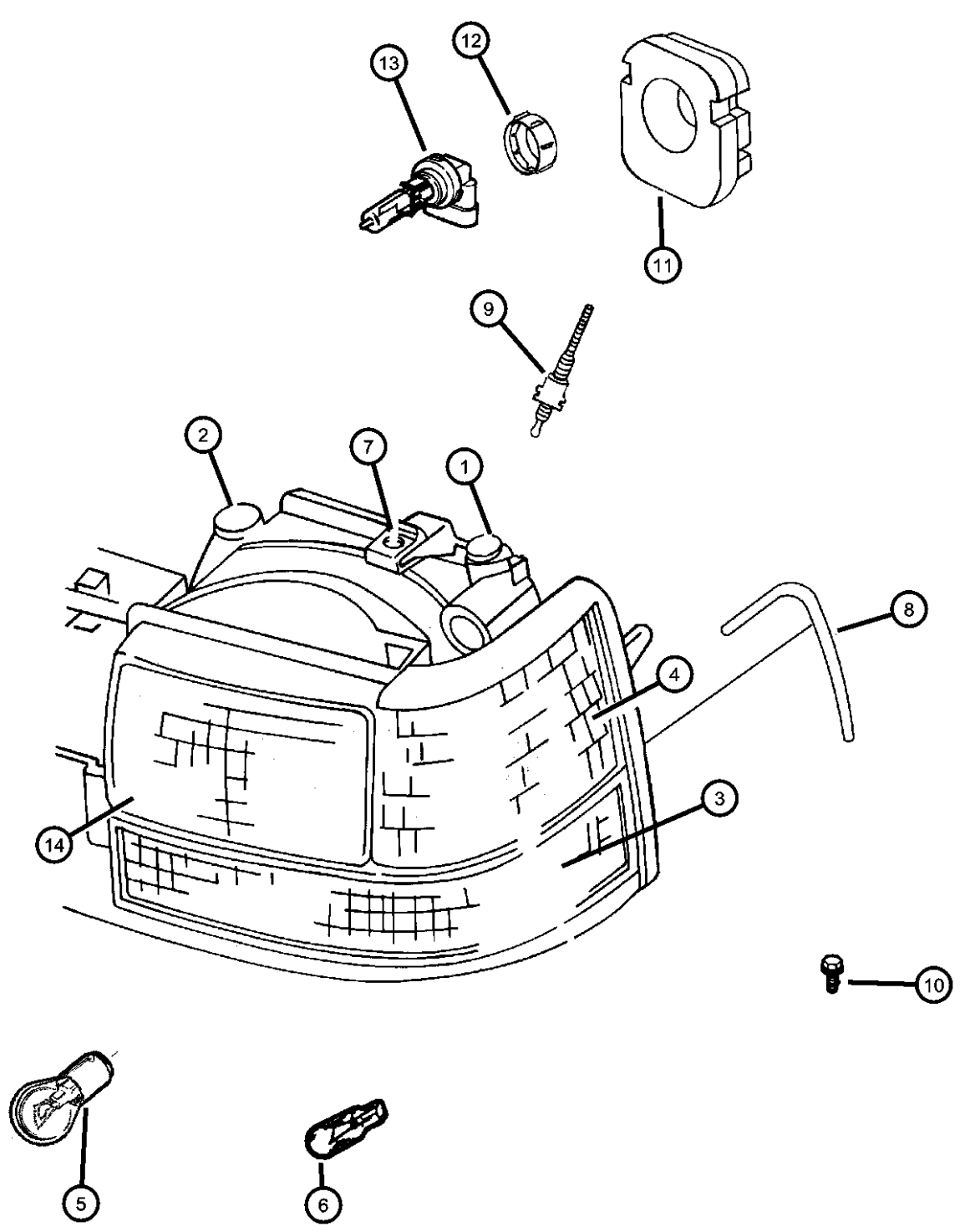
ENGINE
ELF = 5.2L V8 MPI Engine
EML = 5.9L V8 MPI Engine
ERH = 4.0L Power Tech I-6 Engine

TRANSMISSION
DGK = 4-Spd. Automatic 42RE Transmission
DGW = 4-Spd. Automatic 4RE Transmission
DG0 = Transmissions - All Automatic

AR = use ase required - = Non illustrated part

1997 ZJ

Lamps--Front
Figure 8-1120



| ITEM | PART NUMBER | QTY | LINE | SERIES | BODY | ENGINE | TRANS | TRIM | DESCRIPTION |
|------|-------------|-----|------|--------|------|--------|-------|------|---|
| 1 | 55055121 | 2 | | | | | | | GEAR, Headlamp Adjusting, Verticle |
| 2 | 55055122 | 2 | | | | | | | GEAR, Headlamp Adjusting, Horizontal |
| 3 | | | | | | | | | LAMP, Park, Turn, Side Marker |
| | 56005098 | 1 | | | | | | | w/3 Connectors (Up to 12/25/96), Right |
| | 56005098AB | 1 | | | | | | | w/2 Connectors (After 12/25/96), Right |
| | 56005099 | 1 | | | | | | | w/3 Connectors (Up to 12/25/96), Left |
| | 56005099AB | 1 | | | | | | | w/2 Connectors (After 12/25/96), Left |
| 4 | | | | | | | | | LAMP, Park and Turn Signal |
| | 56005104 | 1 | | | | | | | Right |
| | 56005105 | 1 | | | | | | | Left |
| 5 | 00154862AA | 2 | | | | | | | BULB, 3454NAK |
| 6 | L0000194 | 1 | | | | | | | BULB, 194 |
| 7 | 06101442 | 6 | | | | | | | U-NUT, M6 x 1.00, M6x1.00 |
| 8 | | | | | | | | | WELT, Headlamp To Grille |
| | 55029634 | 1 | | | | | | | Right |
| | 55029635 | 1 | | | | | | | Left |
| 9 | 55055312 | 2 | | | | | | | SCREW, Pivot |
| 10 | 06034300 | 2 | | | | | | | SCREW, Tapping, .19-16x1.75 |
| 11 | 55036798 | 2 | | | | | | | SEAL, Headlamp Closure Panel |
| 12 | 04388589 | 1 | | | | | | | RETAINER, Headlamp Bulb |
| 13 | 00154824 | 1 | | | | | | | BULB, Headlamp |
| 14 | | | | | | | | | HEADLAMP |
| | 55055118AB | 1 | | | | | | | Right |
| | 55055119AB | 1 | | | | | | | Left |
| -15 | 04762489 | 1 | | | | | | | CAPSULE, Reflector to Horizontal, Horizontal Headlamp Adjuster (Round), Lower |
| -16 | 04762490 | 1 | | | | | | | CAPSULE, Reflector to Verticle, Vertical Headlamp Adjuster |
| -17 | 04805147 | 1 | | | | | | | VENT, Headlamp |

GRAND CHEROKEE (ZJ)

SERIES LINE
L = LOWLINE T = JEEP - 2WD
J = JEEP - 4WD

BODY
74 = SPORT UTILITY 4-DR

ENGINE
ELF = 5.2L V8 MPI Engine
EML = 5.9L V8 MPI Engine
ERH = 4.0L Power Tech I-6 Engine

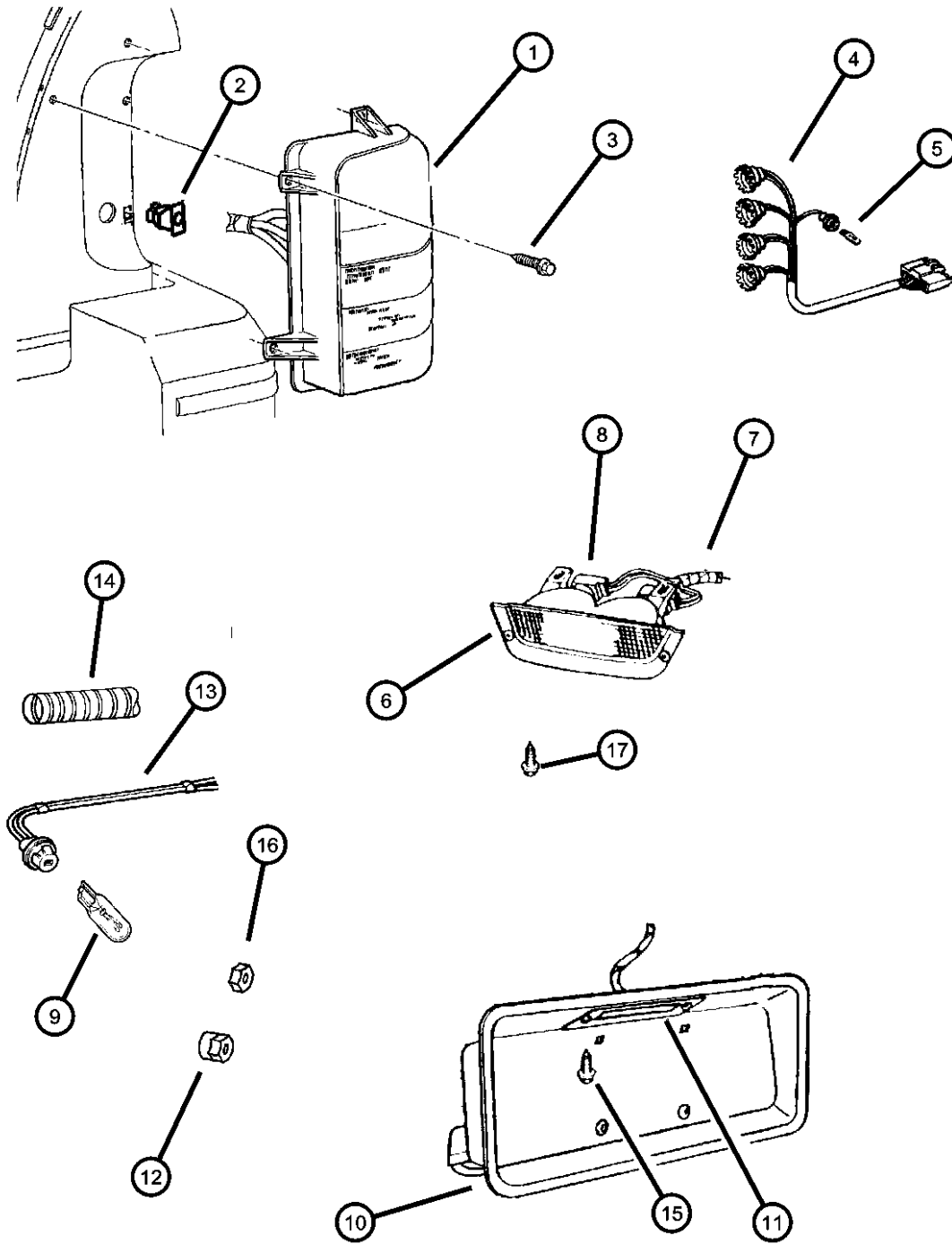
TRANSMISSION
DGK = 4-Spd. Automatic 42RE Transmission
DGW = 4-Spd. Automatic 4RE Transmission
DG0 = Transmissions - All Automatic

AR = use ase required - = Non illustrated part

1997 ZJ

Lamps--Rear
Figure 8-1130

| ITEM | PART NUMBER | QTY | LINE | SERIES | BODY | ENGINE | TRANS | TRIM | DESCRIPTION |
|------|-------------|-----|------|--------|------------------|--------|-------|------|--|
| 1 | 55155738AA | 1 | | | | | | | LAMP, Tail Stop Turn Right |
| | 55155739AA | 1 | | | | | | | Left |
| 2 | 06502776 | 2 | | | | | | | CLIP, Lamp, Tail Lamp Mounting |
| 3 | 06502064 | 1 | | | | | | | SCREW, Tapping, M6x1x20 |
| 4 | 56042348 | 1 | | | | | | | WIRING, Tail Lamp |
| 5 | L0000194 | 1 | | | | | | | BULB, 194 |
| 6 | 55055178 | 1 | | | | | | | LAMP, High Mounted Stop With Fixed Glass |
| | 55055179 | 1 | | | | | | | With Flipper Glass |
| 7 | 56018668 | 1 | | | | | | | WIRING, High Mounted Stop Lamp |
| 8 | L0000922 | 3 | | | | | | | BULB, 922 |
| 9 | L0000168 | 2 | | | | | | | BULB, 168 |
| 10 | 5FF56SW1 | 1 | | | | | | | HOUSING, License Plate, Mounting, Paint as Required |
| 11 | 55054611 | 2 | | | | | | | LAMP, License Plate |
| 12 | J4004689 | 4 | | | | | | | NUT, Push, .164-18 |
| 13 | 55054954 | 1 | | | | | | | WIRING, License Lamp |
| 14 | 04364393 | 1 | | | ELO, EM0, ERO | | | | TUBE, Convoluted |
| 15 | 06034207 | 4 | | | | | | | SCREW, Oval Head, .164-18x.819 |
| 16 | 34202159 | 4 | | | | | | | NUT, Hex Flange, M4x.7, License Lamp |
| 17 | 34202159 | 4 | | | | | | | SCREW, .190-16 X .750, (NOT SERVICED) |



GRAND CHEROKEE (ZJ)

SERIES LINE
L = LOWLINE T = JEEP - 2WD
J = JEEP - 4WD

BODY
74 = SPORT UTILITY 4-DR

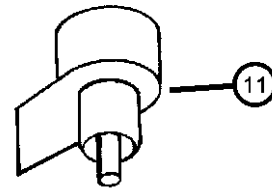
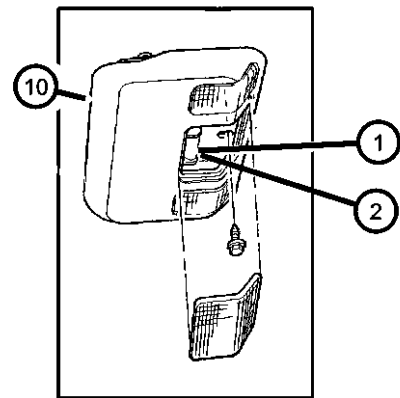
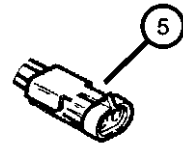
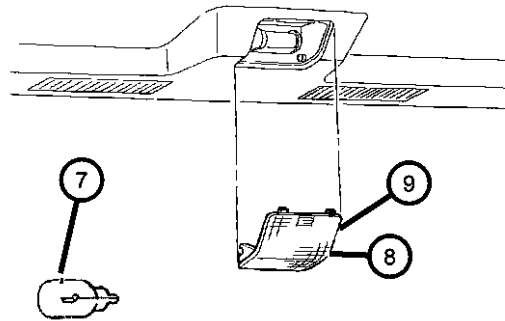
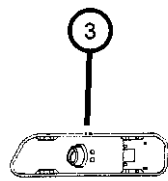
ENGINE
ELF = 5.2L V8 MPI Engine
EML = 5.9L V8 MPI Engine
ERH = 4.0L Power Tech I-6
Engine

TRANSMISSION
DGK = 4-Spd. Automatic 42RE
Transmission
DGW = 4-Spd. Automatic 4RE
Transmission
DG0 = Transmissions - All Automatic

AR = use ase required - = Non illustrated part

1997 ZJ

Lamps--Cargo-Dome-Courtesy-Underhood
Figure 8-1140



| ITEM | PART NUMBER | QTY | LINE | SERIES | BODY | ENGINE | TRANS | TRIM | DESCRIPTION |
|------|-------------|-----|------|--------|------|--------|-------|------|--|
| 1 | L0000906 | 2 | | | | | | | BULB, 906, Reading Lamp |
| 2 | L0001003 | 1 | | | | | | | BULB, 1003, Under Hood Lamp |
| 3 | | | | | | | | | LAMP, Courtesy |
| | 04798796 | 1 | | | | | | | Right |
| | 04798797 | 1 | | | | | | | Left |
| 4 | L0000168 | 2 | | | | | | | BULB, 168, Courtesy |
| 5 | 04741498 | 1 | | | | | | | LAMP, Underhood |
| 6 | 56006867 | 1 | | | | | | | SHIELD, Underhood Lamp |
| 7 | L0001003 | 1 | | | | | | | BULB, 1003 |
| 8 | 56005428 | 1 | | | | | | | LENS, Cargo Lamp |
| 9 | 56042072 | 1 | | | | | | | LENS, Reading Lamp, Dome Lamp |
| 10 | | | | | | | | | LAMP, Dome And Reading |
| | 5AS36SC1 | 1 | | | | | | | [AZ] |
| | 5AS36ST6 | 1 | | | | | | | [T6, TJ] |
| 11 | 04565031 | 2 | | | | | | | SWITCH, Overhead Console Lamp, Push-Push |
| 12 | L0000561 | 1 | | | | | | | BULB, 561 |
| -13 | | | | | | | | | LAMP, Door |
| | 56005076 | 1 | | | | | | | Right Door |
| | 56005077 | 1 | | | | | | | Left Door |

GRAND CHEROKEE (ZJ)

SERIES LINE
L = LOWLINE T = JEEP - 2WD
J = JEEP - 4WD

BODY
74 = SPORT UTILITY 4-DR

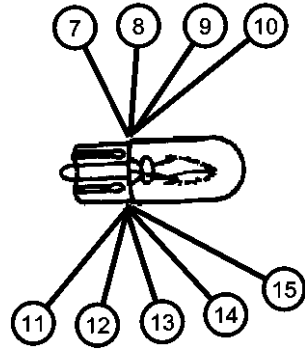
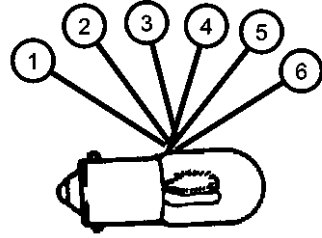
ENGINE
ELF = 5.2L V8 MPI Engine
EML = 5.9L V8 MPI Engine
ERH = 4.0L Power Tech I-6 Engine

TRANSMISSION
DGK = 4-Spd. Automatic 42RE Transmission
DGW = 4-Spd. Automatic 4RE Transmission
DG0 = Transmissions - All Automatic

AR = use ase required - = Non illustrated part

1997 ZJ

Bulbs
Figure 8-1170



| ITEM | PART NUMBER | QTY | LINE | SERIES | BODY | ENGINE | TRANS | TRIM | DESCRIPTION |
|------|-------------|-----|------|--------|------|--------|-------|------|---|
| 1 | L0000922 | 3 | | | | | | | BULB, 922, Exterior, Center High Mounted Stop Lamp |
| 2 | 00L01295NA | 2 | | | | | | | BULB, 1295NA, Exterior, Fog Lamp, #H-3 |
| 3 | L0000194 | 1 | | | | | | | BULB, 194, Exterior, Side Marker Front & Also Tail Lamp |
| 4 | L0000168 | 2 | | | | | | | BULB, 168, Exterior, License Plate, #168 |
| 5 | L0001003 | 1 | | | | | | | BULB, 1003, Exterior, Underhood Lamp, #105 |
| 6 | L0003057 | 3 | | | | | | | BULB, 3057, Exterior, Rear Tail Lamp, #3057 |
| 7 | 09417561 | 4 | | | J | | | | BULB, 161, Interior, Ash Reciever |
| 8 | L0021202 | 2 | | | | | | | BULB, 212-2, Interior, Cargo Lamp, #212-2 |
| 9 | L0000194 | 1 | | | | | | | BULB, 194, Interior, Cosole Floor Shifter, #PC194 |
| 10 | L0000906 | 2 | | | | | | | BULB, 906, Interior, Dome/Reading, #561 & 906 |
| 11 | L0000168 | 2 | | | | | | | BULB, 168, Interior, Door Courtesy, #168 |
| 12 | L0000194 | 1 | | | | | | | BULB, 194, Interior, Glove Compartment, #PC 194 |
| 13 | L0021202 | 2 | | | | | | | BULB, 212-2, Interior, Overhead Console |
| 14 | L0000194 | 1 | | | | | | | BULB, 194, Interior, Trasfer Case Shifter, #PC194 |
| 15 | 06501966 | 2 | | | | | | | BULB, 74, Interior, Vanity Mirror |
| -16 | | | | | | | | | BULB, Switch Pod |
| | 04864511 | 1 | | | | | | | [T3] |
| | 04864512 | 2 | | | | | | | [T5.5] |

GRAND CHEROKEE (ZJ)

SERIES

LINE

BODY

ENGINE

TRANSMISSION

L = LOWLINE T = JEEP - 2WD
 J = JEEP - 4WD

74 = SPORT UTILITY 4-DR

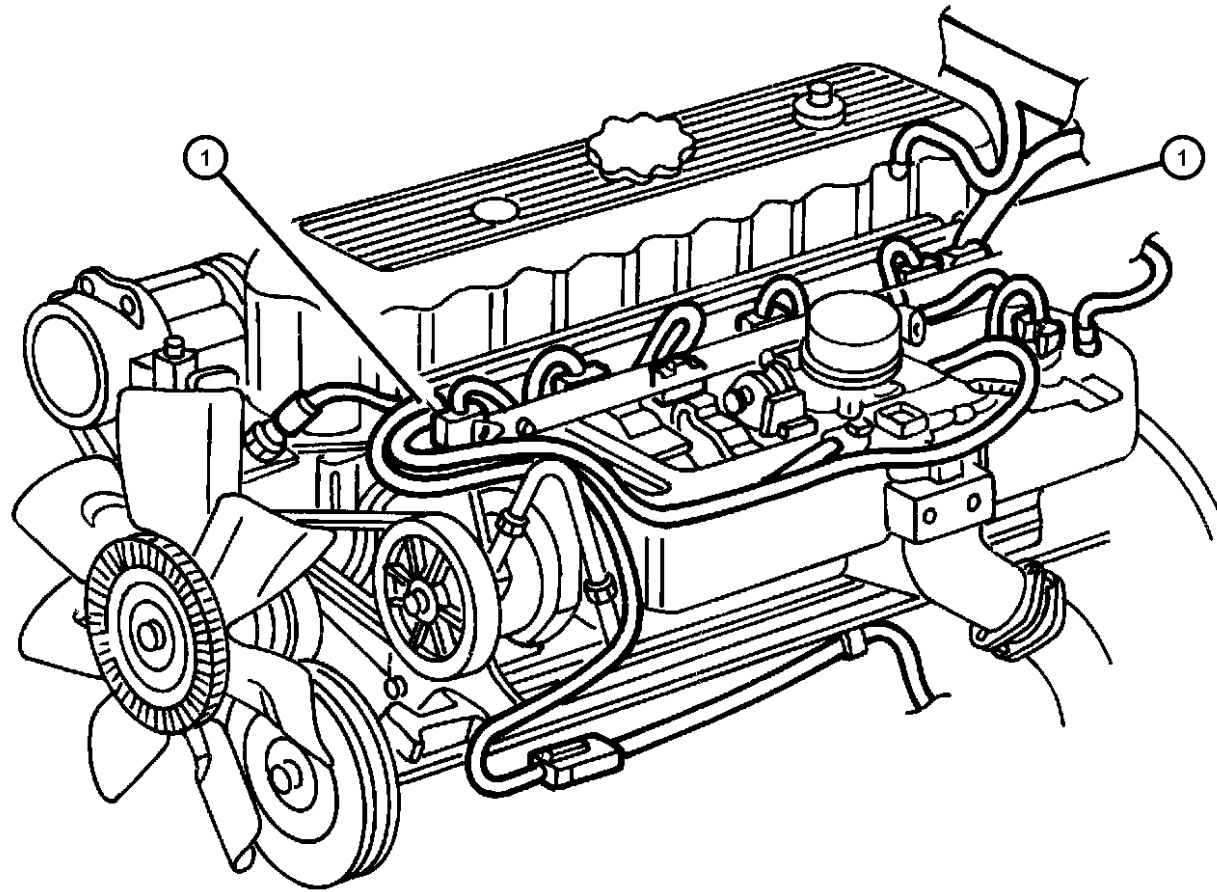
ELF = 5.2L V8 MPI Engine
EML = 5.9L V8 MPI Engine
ERH = 4.0L Power Tech I-6 Engine

DGK = 4-Spd. Automatic 42RE Transmission
DGW = 4-Spd. Automatic 4RE Transmission
DG0 = Transmissions - All Automatic

AR = use ase required - = Non illustrated part

1997 ZJ

**Wiring Engine (Injector Wiring)
Figure 8-1205**



| ITEM | PART NUMBER | QTY | LINE | SERIES | BODY | ENGINE | TRANS | TRIM | DESCRIPTION |
|------|-------------|-----|------|--------|------|----------|-------|------|---|
| 1 | | | | | | | | | WIRING, Injector |
| | 56008952AC | 1 | J | | | ER0 | DGK | | |
| | 56008954AB | 1 | J | | | EL0, EM0 | | | |
| | 56038863AB | 1 | T | | | EL0 | | | |
| | 56042862AC | 1 | T | | | ER0 | DGK | | |
| -2 | J4003993 | 1 | | | | ER0 | | | CLIP, Wiring, Oxygen Sensor Wiring |
| -3 | J4006887 | 1 | | | | ER0 | | | BOLT AND WASHER, .375-16x.62, Oxygen Sensor Wiring Clip |
| -4 | 56007524 | 1 | | | | EL0, EM0 | | | STRAP, Ground |
| -5 | 05010132AB | 1 | | | | | | | WIRING, Anti-lock Brake Jumper |
| -6 | 56008876 | 1 | | | | | | | STRAP, Tie, Injector Wiring |

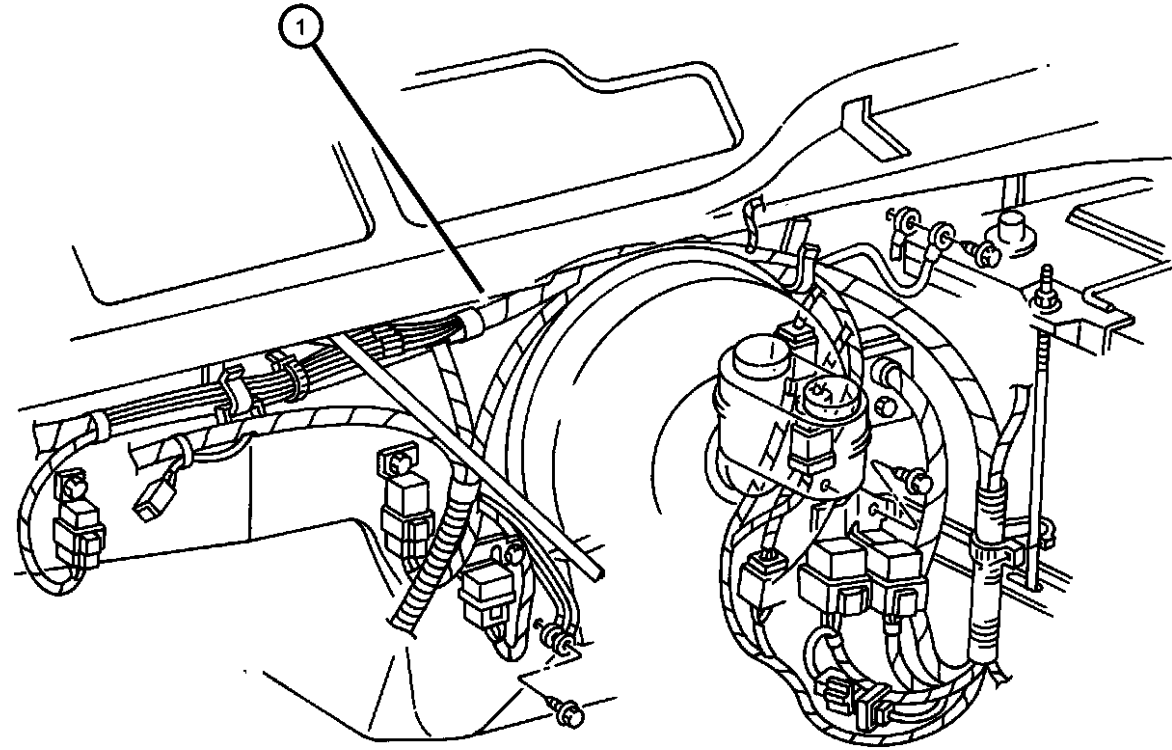
GRAND CHEROKEE (ZJ)

| | | | | |
|-------------|----------------------------------|-------------------------|--|--|
| SERIES | LINE | BODY | ENGINE | TRANSMISSION |
| L = LOWLINE | T = JEEP - 2WD J = JEEP - 4WD | 74 = SPORT UTILITY 4-DR | ELF = 5.2L V8 MPI Engine EML = 5.9L V8 MPI Engine ERH = 4.0L Power Tech I-6 Engine | DGK = 4-Spd. Automatic 42RE Transmission DGW = 4-Spd. Automatic 4RE Transmission DG0 = Transmissions - All Automatic |

AR = use ase required - = Non illustrated part

1997 ZJ

**Wiring Headlamp / Dash
Figure 8-1305**



| ITEM | PART NUMBER | QTY | LINE | SERIES | BODY | ENGINE | TRANS | TRIM | DESCRIPTION |
|------|-------------|-----|------|--------|------|--------|-------|------|--|
| 1 | 56042664AF | 1 | | | | | | | WIRING, Headlamp to Dash With Security, Fog Lamps, Traveler/Mini Trip, ATC |
| | 56042665AF | 1 | | | | | | | With Daytime Running Lamps, Without Max Cooling |
| | 56042666AF | 1 | | | | | | | With A/C |
| -2 | 56009715 | 1 | | | | | | | COVER, Fuse Access, Mega Fuse Access (Attaches to Side of PDC) |
| -3 | 56008828 | 1 | | | | | | | BRACKET, Power Distribution Center |
| -4 | 56018906AB | 1 | | | | | | | COVER, Power Distribution CenterLower |
| -5 | 56042003 | 1 | | | | | | | WIRING, Underhood Lamp |

GRAND CHEROKEE (ZJ)

SERIES LINE
L = LOWLINE T = JEEP - 2WD
 J = JEEP - 4WD

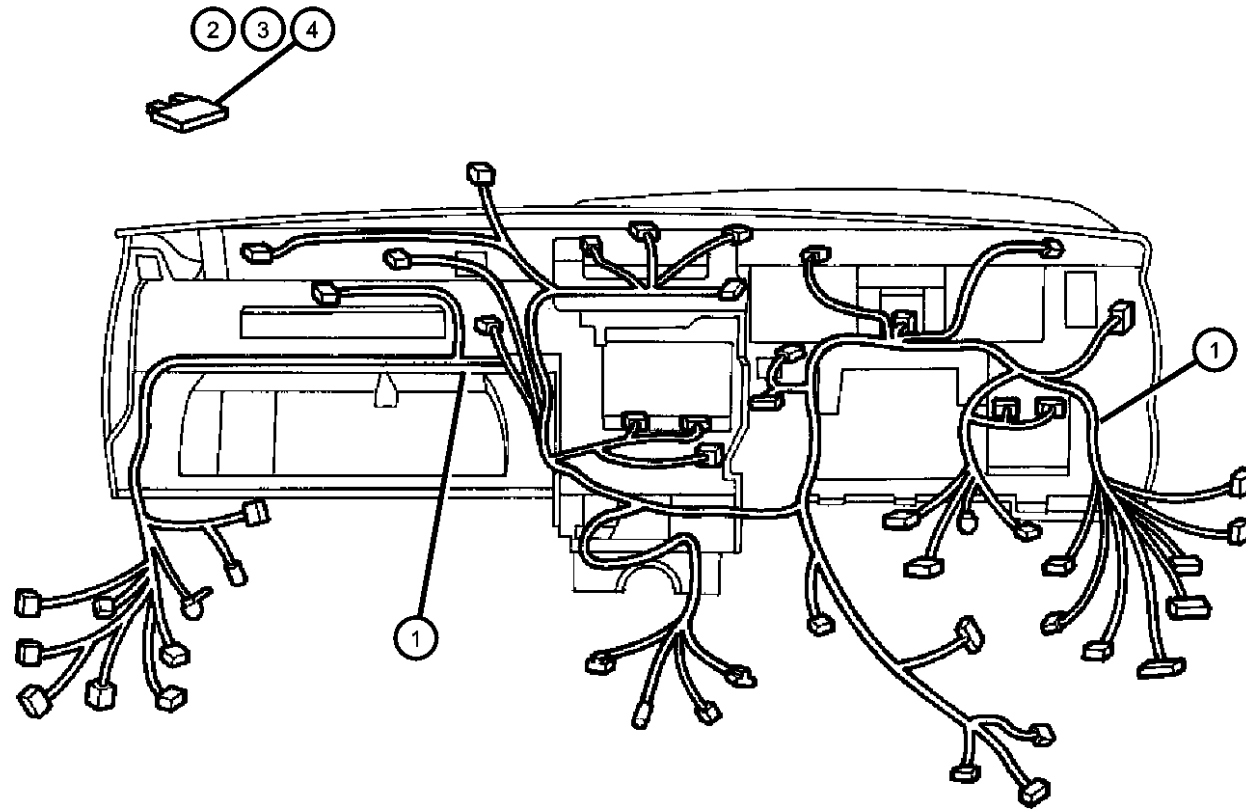
BODY
74 = SPORT UTILITY 4-DR

ENGINE
ELF = 5.2L V8 MPI Engine
EML = 5.9L V8 MPI Engine
ERH = 4.0L Power Tech I-6
Engine

TRANSMISSION
DGK = 4-Spd. Automatic 42RE
Transmission
DGW = 4-Spd. Automatic 4RE
Transmission
DG0 = Transmissions - All Automatic

AR = use ase required - = Non illustrated part

**Wiring Instrument Panel
Figure 8-1405**



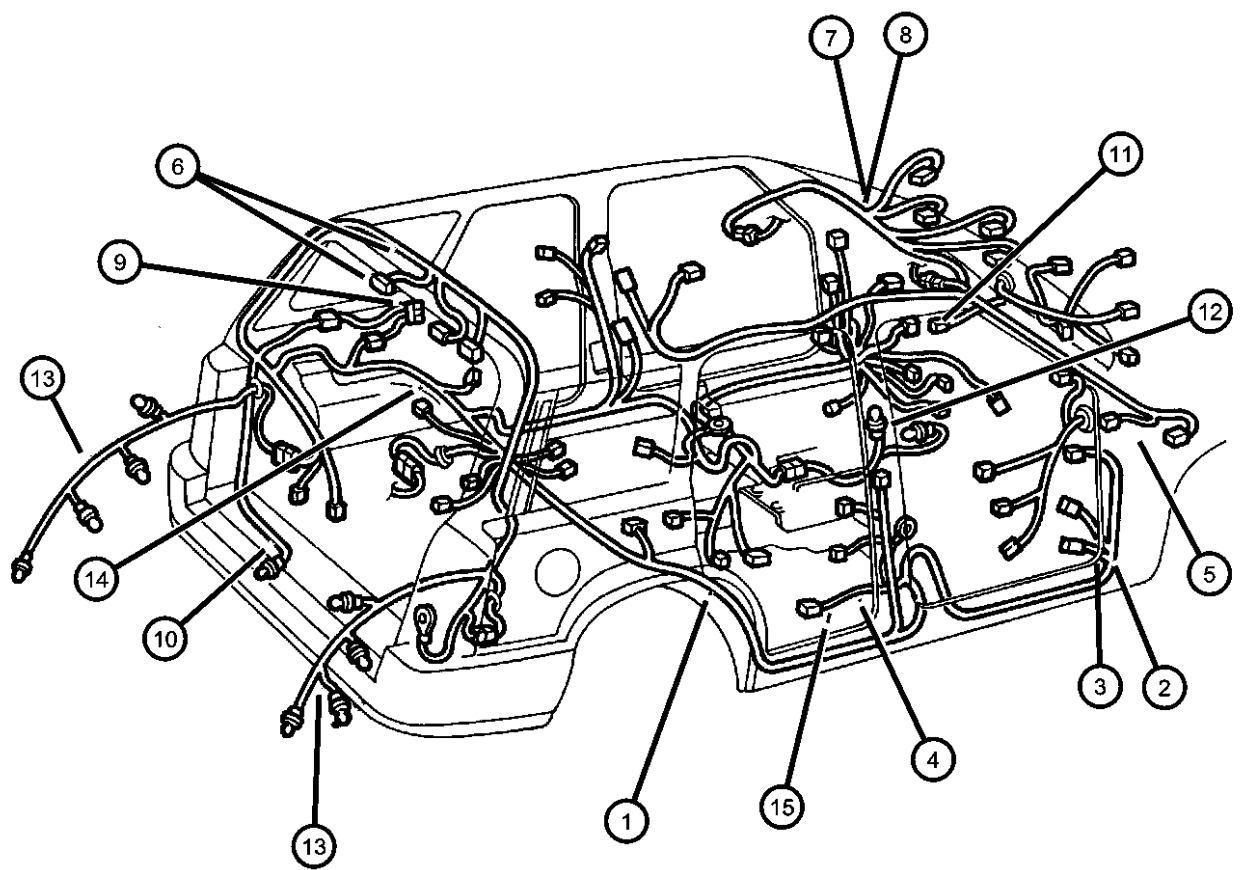
| ITEM | PART NUMBER | QTY | LINE | SERIES | BODY | ENGINE | TRANS | TRIM | DESCRIPTION |
|------|-------------|-----|------|--------|------|----------|-------|------|---|
| | | | | | | | | | [HAA] = Air Conditioning [HAB] = Auto Temp Control |
| 1 | | | | | | | | | WIRING, Instrument Panel |
| | 56010241AB | 1 | | | | | | | [HAB], Automatic Temperature Control |
| | 56010242AB | 1 | | | | | | | [HAA] With Heated Seats, Vehicle Information Center, Automatic Temperature Control |
| | 56042553AB | 1 | | | | | | | [HAA] Without Heated Seats, Vehicle Information Center, Automatic Temperature Control |
| 2 | 000ATM10 | 9 | | | | | | | FUSE, Mini, 10 AMP, Red |
| 3 | 06101487 | 1 | | | | | | | FUSE, Mini, 15 AMP, Light Blue |
| 4 | 06101488 | 1 | | | | | | | FUSE, Mini, 20 AMP, Yellow |
| -5 | | | | | | | | | BREAKER, Circuit |
| | 04124795 | 1 | | | | | | | Power Window |
| | 04604235 | 1 | | | | | | | Power Seat |
| -6 | 56018509 | 1 | | | | | | | JUNCTION BLOCK, Relay, Junction |
| -7 | 56018907 | 1 | | | | | | | COVER, Fuse Access, Mega Fuse Access (Attaches to Side of PDC) |
| -8 | 56007243 | 1 | | | | | | | FLASHER, Combination (2) (4) Lamp |
| -9 | 05014098AD | 1 | | | | EL0, EM0 | | | WIRING KIT, Jumper |

GRAND CHEROKEE (ZJ)

| | | | | |
|-------------|----------------------------------|-------------------------|--|--|
| SERIES | LINE | BODY | ENGINE | TRANSMISSION |
| L = LOWLINE | T = JEEP - 2WD J = JEEP - 4WD | 74 = SPORT UTILITY 4-DR | ELF = 5.2L V8 MPI Engine EML = 5.9L V8 MPI Engine ERH = 4.0L Power Tech I-6 Engine | DGK = 4-Spd. Automatic 42RE Transmission DGW = 4-Spd. Automatic 4RE Transmission DG0 = Transmissions - All Automatic |

AR = use ase required - = Non illustrated part

Wiring Body & Accessories Figure 8-1505



| ITEM | PART NUMBER | QTY | LINE | SERIES | BODY | ENGINE | TRANS | TRIM | DESCRIPTION |
|--|-------------|-----|------|--------|------|--------|-------|------|--|
| NOTE: Contains wiring and boot to the front doors. | | | | | | | | | |
| 1 | | | | | | | | | WIRING, Unified Body, See NOTE: |
| | 56042307AB | 1 | | | | | | | With Heated Seats, 10 Speaker System |
| | 56042466AB | 1 | | | | | | | With Heated Seats, Infinity |
| | 56042467AB | 1 | | | | | | | With Memory, Infinity |
| | 56042468AB | 1 | | | | | | | With Infinity, Without Heated Seats or Memory |
| | 56042469AB | 1 | | | | | | | With Power Lumbar, Without Infinity |
| | 56042470AB | 1 | | | | | | | With Trailer Tow, Without Memory, Heated Seat, Lumbar, Infinity |
| | 56042471AB | 1 | | | | | | | Base Vehicle |
| 2 | | | | | | | | | WIRING, Front Door |
| | 56042192AB | 1 | | | | | | | With Security, Courtesy Lamps, Right |
| | 56042193AB | 1 | | | | | | | With Security, Courtesy Lamps, Left |
| 3 | | | | | | | | | WIRING, Door |
| | 56042196 | 1 | | | | | | | Without Security, Courtesy Lamps, Right |
| | 56042197 | 1 | | | | | | | Without Security, Courtesy Lamps, Left |
| 4 | 56042084AB | 2 | | | | | | | WIRING, Door, Rear Door With Retainer for Rubber Conduit Tube (Stamped 56018534) |
| 5 | 56017442 | 2 | | | | | | | WIRING, Courtesy Lamp, Under Instrument Panel |
| 6 | | | | | | | | | WIRING, Liftgate |
| | 56042260AB | 1 | | | | | | | With Fixed Glass |
| | 56042345AB | 1 | | | | | | | With Flipper |
| 7 | | | | | | | | | WIRING, Overhead Console |
| | 04863981 | 1 | | | | | | | Type 1 |
| | 56042360 | 1 | | | | | | | Type 2 |
| 8 | | | | | | | | | WIRING, Dome and Reading Lamp |
| | 56042362 | 1 | | | | | | | With Day/Night Adjust Rear Veiw Mirror |
| | 56042363 | 1 | | | | | | | Without Day/Night Adjust Rear Veiw Mirror |
| 9 | 56018697 | 1 | | | | | | | WIRING, Trailer Tow, Relay Harness |

GRAND CHEROKEE (ZJ)

SERIES LINE
 L = LOWLINE T = JEEP - 2WD
 J = JEEP - 4WD

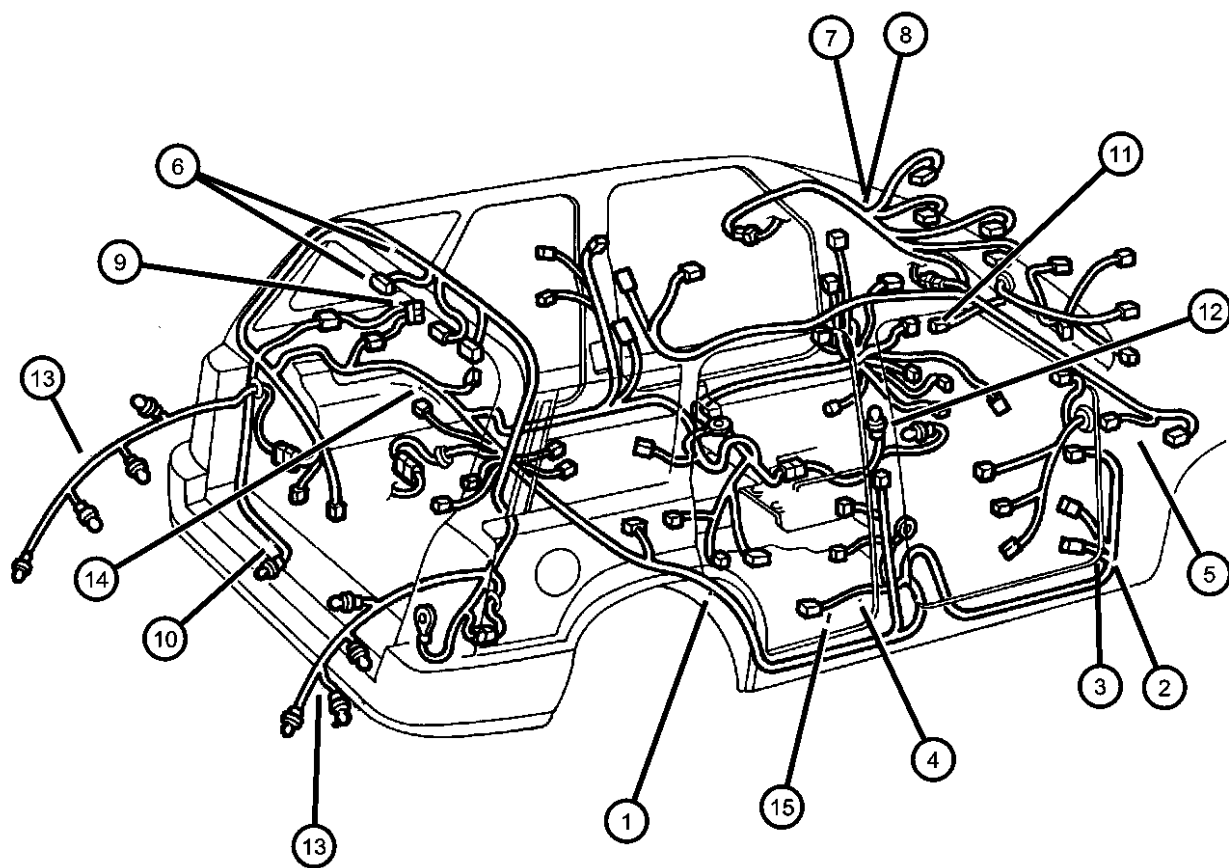
BODY
 74 = SPORT UTILITY 4-DR

ENGINE
 ELF = 5.2L V8 MPI Engine
 EML = 5.9L V8 MPI Engine
 ERH = 4.0L Power Tech I-6 Engine

TRANSMISSION
 DGK = 4-Spd. Automatic 42RE Transmission
 DGW = 4-Spd. Automatic 4RE Transmission
 DG0 = Transmissions - All Automatic

AR = use ase required - = Non illustrated part

Wiring Body & Accessories
Figure 8-1505



| ITEM | PART NUMBER | QTY | LINE | SERIES | BODY | ENGINE | TRANS | TRIM | DESCRIPTION |
|------|-------------|-----|------|--------|------|--------|-------|------|--|
| 10 | 56042534AA | 1 | | | | | | | WIRING, Trailer Tow, Heavy Duty/Extra Heavy Duty |
| 11 | 56042361 | 1 | | | | | | | WIRING, Sunroof, With Mini Overhad Console |
| 12 | | | | | | | | | WIRING, Indicator Lamp |
| | 04638186 | 1 | J | | | | DG0 | | Lamp [PRNDL] Transfer Case |
| | | 1 | T | | | | DG0 | | Lamp [PRNDL] Transfer Case |
| 13 | 56042348 | 1 | | | | | | | WIRING, Tail Lamp, With Sockets |
| 14 | 56018668 | 1 | | | | | | | WIRING, High Mounted Stop Lamp |
| 15 | | | | | | | | | WIRING, Power Seat |
| | 56042167AB | 1 | | | | | | | Without Heated Seats, Left |
| | 56042168AB | 1 | | | | | | | Without Heated Seats, Right |
| | 56042169AB | 1 | | | | | | | With Memory, Left |
| | 56042170AC | 1 | | | | | | | With Heated Seats, Right |
| | 56042171AC | 1 | | | | | | | With Heated Seats and Memory, Left |
| | 56042443AC | 1 | | | | | | | With Heated Seats, Left |
| -16 | 56008889 | 1 | | | | | | | WIRING, Speed Control Switch Jumper |
| -17 | 56008888 | 1 | | | | | | | WIRING, Remote Radio Switch |
| -18 | 56042475AA | 1 | | | | | | | WIRING, Power Outlet/Cigar Lighter Jumper |
| -19 | 04883017 | 1 | | | | | | | WIRING, Fog Lamp |
| -20 | 56042003 | 1 | | | | | | | WIRING, Underhood Lamp |
| -21 | | | | | | | | | WIRING, Front End Lighting |
| | 56017746 | 2 | | | | | | | Up to 12/25/96 |
| | 56017746AB | 2 | | | | | | | After 12/25/96 |

GRAND CHEROKEE (ZJ)

| | | | | |
|-------------|----------------------------------|-------------------------|--|--|
| SERIES | LINE | BODY | ENGINE | TRANSMISSION |
| L = LOWLINE | T = JEEP - 2WD J = JEEP - 4WD | 74 = SPORT UTILITY 4-DR | ELF = 5.2L V8 MPI Engine EML = 5.9L V8 MPI Engine ERH = 4.0L Power Tech I-6 Engine | DGK = 4-Spd. Automatic 42RE Transmission DGW = 4-Spd. Automatic 4RE Transmission DG0 = Transmissions - All Automatic |

AR = use ase required - = Non illustrated part

**Wiring Repair Package
Figure 8-1605**

| ITEM | PART NUMBER | QTY | LINE | SERIES | BODY | ENGINE | TRANS | TRIM | DESCRIPTION |
|------|-------------|-----|------|--------|------|--------|-------|------|---|
| -1 | 05013930AA | 1 | | | | | | | WIRING PACKAGE, Underhood Connector Repair, For Electrical Connector Repair Information visit the World Wide Web at http://dto.vftis.com/mopar/disclaimer.asp |

For Electrical Connector Repair Information visit the World Wide Web at

<http://dto.vftis.com/mopar/disclaimer.asp>

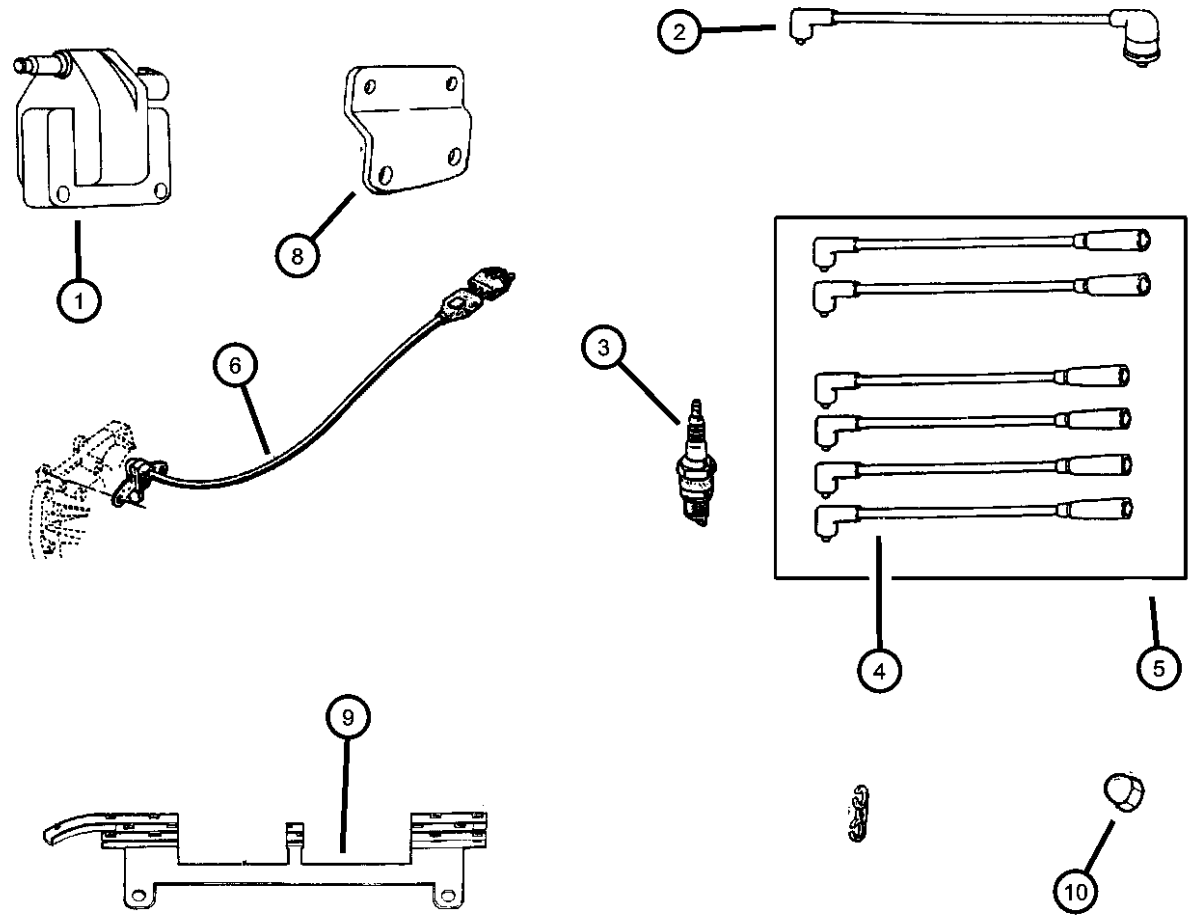
GRAND CHEROKEE (ZJ)

| | | | | |
|-------------|----------------------------------|-------------------------|--|--|
| SERIES | LINE | BODY | ENGINE | TRANSMISSION |
| L = LOWLINE | T = JEEP - 2WD J = JEEP - 4WD | 74 = SPORT UTILITY 4-DR | ELF = 5.2L V8 MPI Engine EML = 5.9L V8 MPI Engine ERH = 4.0L Power Tech I-6 Engine | DGK = 4-Spd. Automatic 42RE Transmission DGW = 4-Spd. Automatic 4RE Transmission DG0 = Transmissions - All Automatic |

AR = use ase required - = Non illustrated part

1997 ZJ

**Spark Plugs--Cables & Coil 4.0L Engine
Figure 8-1910**



| ITEM | PART NUMBER | QTY | LINE | SERIES | BODY | ENGINE | TRANS | TRIM | DESCRIPTION |
|------|-------------|-----|------|--------|------|--------|-------|------|--|
| 1 | 04797293 | 1 | | | | ER0 | | | COIL, Ignition |
| 2 | 56041057 | 1 | | | | ER0 | | | CABLE, Ignition Coil |
| 3 | 56027275 | 6 | | | | ER0 | | | SPARK PLUG, RC-12-LYC5 |
| | 0SP00436 | | | | | | | | Canadian Aftermarket Part |
| 4 | | | | | | | | | CABLE, Ignition |
| | 33007157 | 1 | | | | ER0 | | | #2 |
| | 33007158 | 1 | | | | ER0 | | | #3-4 |
| | 53008069 | 1 | | | | ER0 | | | #5 |
| | 53008070 | 1 | | | | ER0 | | | #1 |
| | 53008628 | 1 | | | | ER0 | | | #6 |
| 5 | 83507178 | 1 | | | | ER0 | | | CABLE PACKAGE, Ignition, Includes Coil Wires |
| | SPC40604AA | | | | | | | | Mopar Tune Up Kit (Contains Cap Rotor and Spark Plug Wires) |
| | SPW07059AA | | | | | | | | Mopar V-Line Alternative Part |
| 6 | 04897321AA | 1 | | | | ER0 | DGK | | SENSOR PACKAGE, Crankshaft Position |
| -7 | 56041008 | 1 | | | | ER0 | DG0 | | SHIELD, Wiring, Sensor Cover |
| 8 | 56026890 | 1 | | | | ER0 | | | BRACKET, Ignition Coil |
| 9 | 33007154 | 1 | | | | ER0 | | | SEPERATOR, Ignition Cable |
| 10 | 06033560 | 2 | | | | ER0 | | | NUT AND WASHER, Hex Nut-Coned Washer, .25-20 |

GRAND CHEROKEE (ZJ)

SERIES LINE
L = LOWLINE T = JEEP - 2WD
 J = JEEP - 4WD

BODY
74 = SPORT UTILITY 4-DR

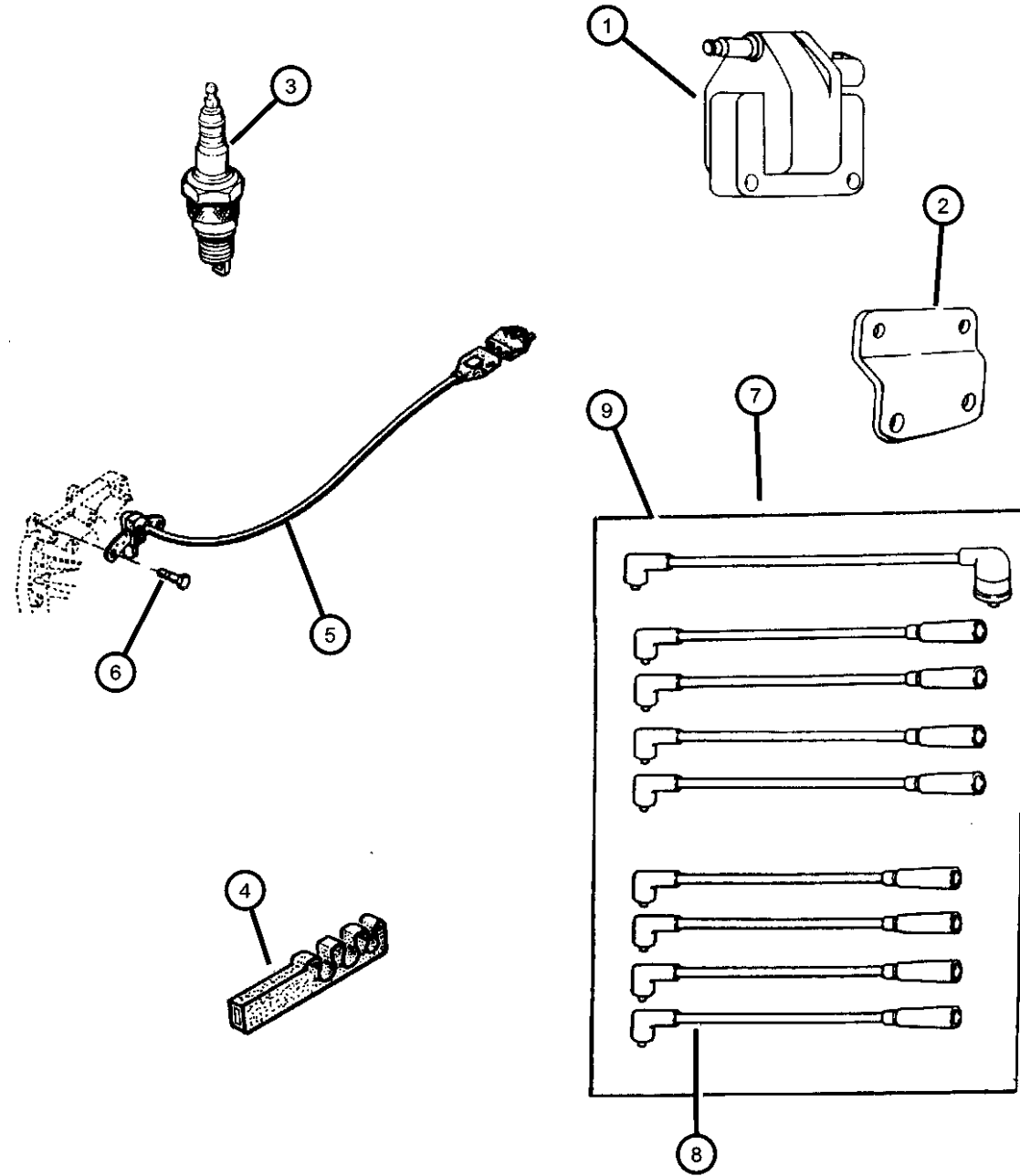
ENGINE
ELF = 5.2L V8 MPI Engine
EML = 5.9L V8 MPI Engine
ERH = 4.0L Power Tech I-6
Engine

TRANSMISSION
DGK = 4-Spd. Automatic 42RE
Transmission
DGW = 4-Spd. Automatic 4RE
Transmission
DG0 = Transmissions - All Automatic

AR = use ase required - = Non illustrated part

1997 ZJ

Spark Plugs--Cables & Coil 5.2L & 5.9L Engines
Figure 8-1915



| ITEM | PART NUMBER | QTY | LINE | SERIES | BODY | ENGINE | TRANS | TRIM | DESCRIPTION |
|------|-------------|-----|------|--------|------|----------|-------|------|---|
| 1 | 04797293 | 1 | | | | ELO, EMO | | | COIL, Ignition |
| 2 | 56026891 | 1 | | | | ELO, EMO | | | BRACKET, Ignition Coil |
| 3 | | | | | | | | | SPARK PLUG |
| | 56028189 | 8 | | | | ELO | | | RC12YC |
| | OSP00479 | | | | | | | | Canadian Aftermarket Part |
| | SP00RC12YC | 8 | | | | EMO | | | |
| 4 | | | | | | | | | SEPERATOR, Ignition Cable |
| | 56026735 | 1 | | | | ELO, EMO | | | 1-Wire |
| | 56026834 | 1 | | | | ELO, EMO | | | 4-Wire |
| | 56027089 | 2 | | | | ELO, EMO | | | 3-Wire |
| | 56041333AA | 2 | | | | ELO, EMO | | | 5-Wire |
| 5 | 56027870 | 1 | | | | ELO, EMO | | | SENSOR, Crankshaft Position |
| 6 | 06035652 | 2 | | | | ELO, EMO | | | SCREW AND WASHER, Hex Head, .312-18x.75 |
| 7 | 04728190 | 1 | | | | ELO, EMO | | | CABLE PACKAGE, Ignition |
| | SPC52595AA | | | | | | | | Mopar Tune Up Kit (Contains Cap Rotor and Spark Plug Wires) |
| 8 | | | | | | | | | CABLE, Ignition |
| | 56027064 | 1 | | | | ELO, EMO | | | #1 |
| | 56027065 | 1 | | | | ELO, EMO | | | #2 |
| | 56027066 | 1 | | | | ELO, EMO | | | #3 |
| | 56027067 | 1 | | | | ELO, EMO | | | #4 |
| | 56027068 | 1 | | | | ELO, EMO | | | #5 |
| | 56027069 | 1 | | | | ELO, EMO | | | #6 |
| | 56027115 | 2 | | | | ELO, EMO | | | #7 & #8 |
| 9 | 56027055 | 1 | | | | ELO, EMO | | | CABLE, Ignition Coil |

GRAND CHEROKEE (ZJ)

SERIES LINE
L = LOWLINE T = JEEP - 2WD
 J = JEEP - 4WD

BODY
74 = SPORT UTILITY 4-DR

ENGINE
ELF = 5.2L V8 MPI Engine
EML = 5.9L V8 MPI Engine
ERH = 4.0L Power Tech I-6 Engine

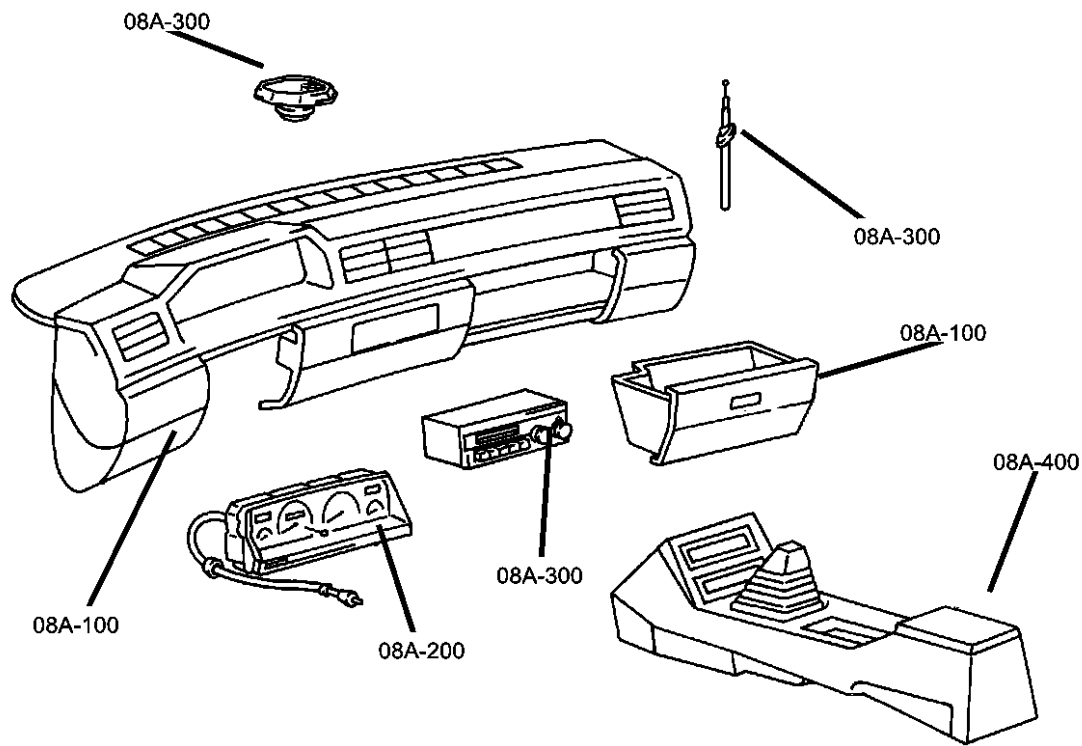
TRANSMISSION
DGK = 4-Spd. Automatic 42RE Transmission
DGW = 4-Spd. Automatic 4RE Transmission
DG0 = Transmissions - All Automatic

AR = use ase required - = Non illustrated part

1997 ZJ

Group - 08A

Instrument Panel and Radios and Consoles



Group - 08A Instrument Panel and Radios and Consoles

Illustration Title

Group-Fig. No.

Instrument Panel

Instrument Panel Fig. 08A - 135

Instrument Panel Cluster

Instrument Cluster..... Fig. 08A - 230

Radio, Antenna, and Speakers

Radio..... Fig. 08A - 310

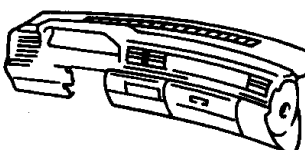
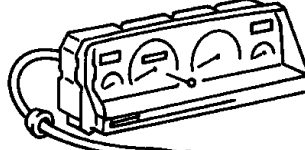
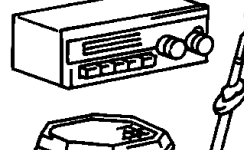
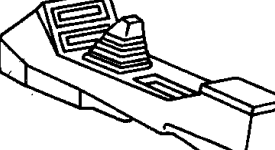
Speakers..... Fig. 08A - 315

Antenna..... Fig. 08A - 340

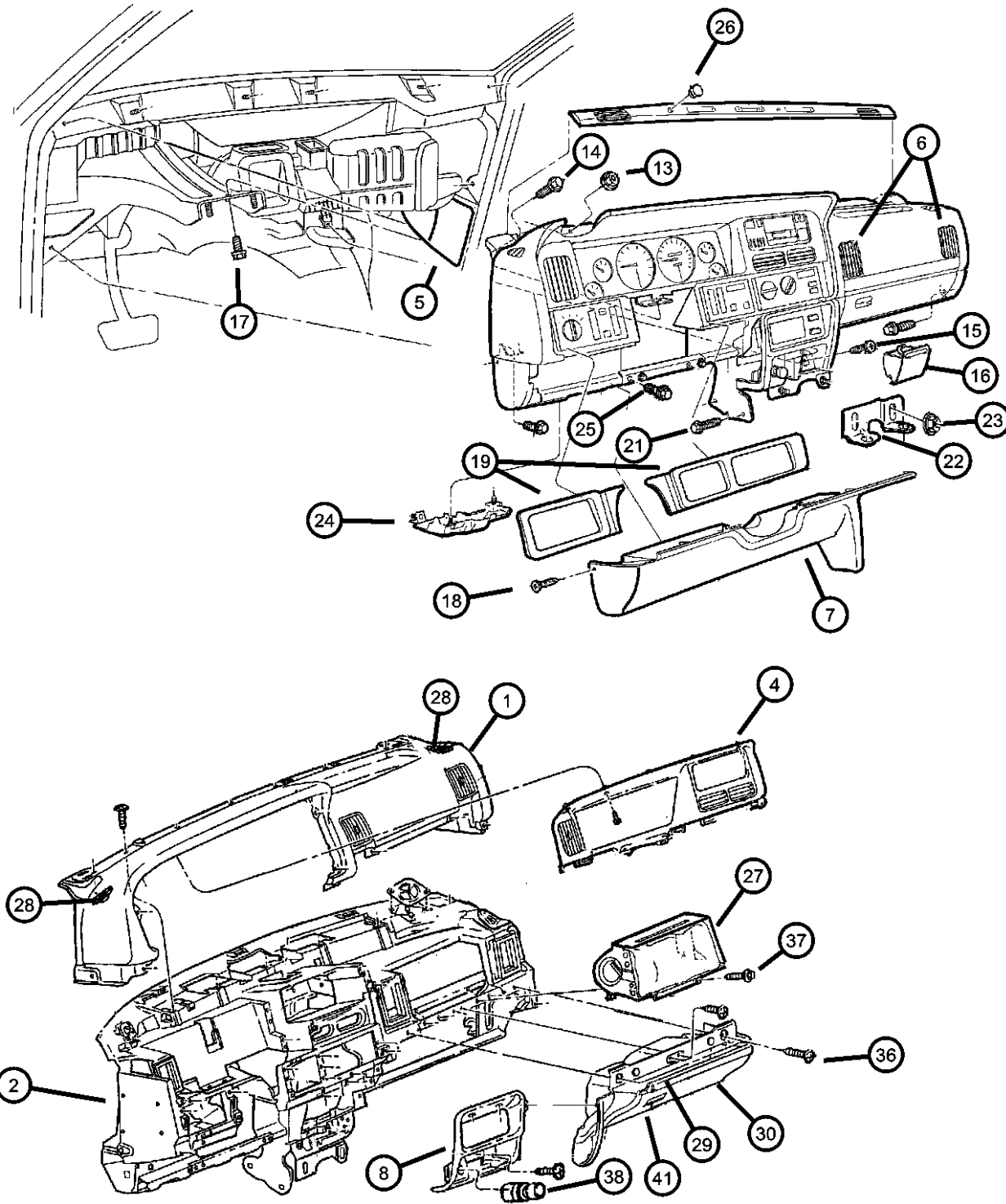
Consoles

Floor Console..... Fig. 08A - 440

Overhead Console, Fig. 08A - 460

| | | | |
|---|--|---|--|
| <p>08A-100 Instrument Panel</p>  | <p>08A-200 Instrument Panel Cluster</p>  | <p>08A-300 Radio, Antenna, and Speakers</p>  | <p>08A-400 Consoles</p>  |
|---|--|---|--|

**Instrument Panel
Figure 08A-135**



| ITEM | PART NUMBER | QTY | LINE | SERIES | BODY | ENGINE | TRANS | TRIM | DESCRIPTION |
|------|-------------|-----|------|--------|------|--------|-------|------|-------------|
|------|-------------|-----|------|--------|------|--------|-------|------|-------------|

P.A.R. = Paint as Required

| | | | | | | | | | |
|-----|------------|---|--|--|--|--|--|--|---|
| 1 | | | | | | | | | PAD, Instrument Panel |
| | 5DT34TAZ | 1 | | | | | | | Agate (AZ,T6) |
| | 5DT34TC8 | 1 | | | | | | | Gray (C3) |
| | 5DT34TT6 | 1 | | | | | | | Spice (TJ) |
| 2 | 55115109AB | 1 | | | | | | | FRAME, Instrument Panel |
| -3 | 04732089AB | 1 | | | | | | | BRACKET, Air Bag |
| 4 | 55115119 | 1 | | | | | | | BEZEL, Instrument Cluster |
| 5 | | | | | | | | | PANEL, Fuse Box Access |
| | 5FF79SAZ | 1 | | | | | | | Agate |
| | 5FF79SC3 | 1 | | | | | | | Mist Gray |
| | 5FF79ST6 | 1 | | | | | | | Spice/Saddle |
| 6 | | | | | | | | | OUTLET, Air Conditioning & Heater |
| | 5DT35SAZ | 2 | | | | | | | Agate |
| | 5DT35SC8 | 2 | | | | | | | Mist Gray |
| | 5DT35DX9 | 2 | | | | | | | Black |
| 7 | | | | | | | | | COVER, Instrument Panel, Steering Column Opening |
| | 5FM29SAZ | 1 | | | | | | | [AZ] |
| | | 1 | | | | | | | [T6] |
| | 5FM29SC8 | 1 | | | | | | | [C3] |
| | 5FM29TT6 | 1 | | | | | | | [TJ] |
| 8 | 55115113AB | 1 | | | | | | | BEZEL, Instrument Panel, Center, (Black) Included Power Outlet Assembly |
| -9 | 56006927 | 1 | | | | | | | POWER OUTLET |
| -10 | 55115322 | 1 | | | | | | | DOOR, Power Outlet, Center Bezel |
| -11 | 55115665 | 4 | | | | | | | BUMPER, Rubber |
| -12 | J4000093 | 2 | | | | | | | BUMPER, Glove Box Door |
| 13 | 06502843 | 4 | | | | | | | NUT AND WASHER, Hex Nut-Coned Washer, M6 x 1.00 |
| 14 | 06502843 | 4 | | | | | | | SCREW/WASHER, (NOT SERVICED) |
| 15 | J4003671 | 1 | | | | | | | SCREW, Tapping, .164-18x.625 |
| 16 | 55115121 | 1 | | | | | | | ASH RECEIVER, Instrument Panel |
| 17 | 06101786 | 1 | | | | | | | SCREW, Self Tapping, M6x1x15 |
| 18 | 06032723 | 7 | | | | | | | SCREW, Self Tapping, M4.2x1.69x19.05 |

GRAND CHEROKEE (ZJ)

SERIES LINE
L = LOWLINE T = JEEP - 2WD
J = JEEP - 4WD

BODY
74 = SPORT UTILITY 4-DR

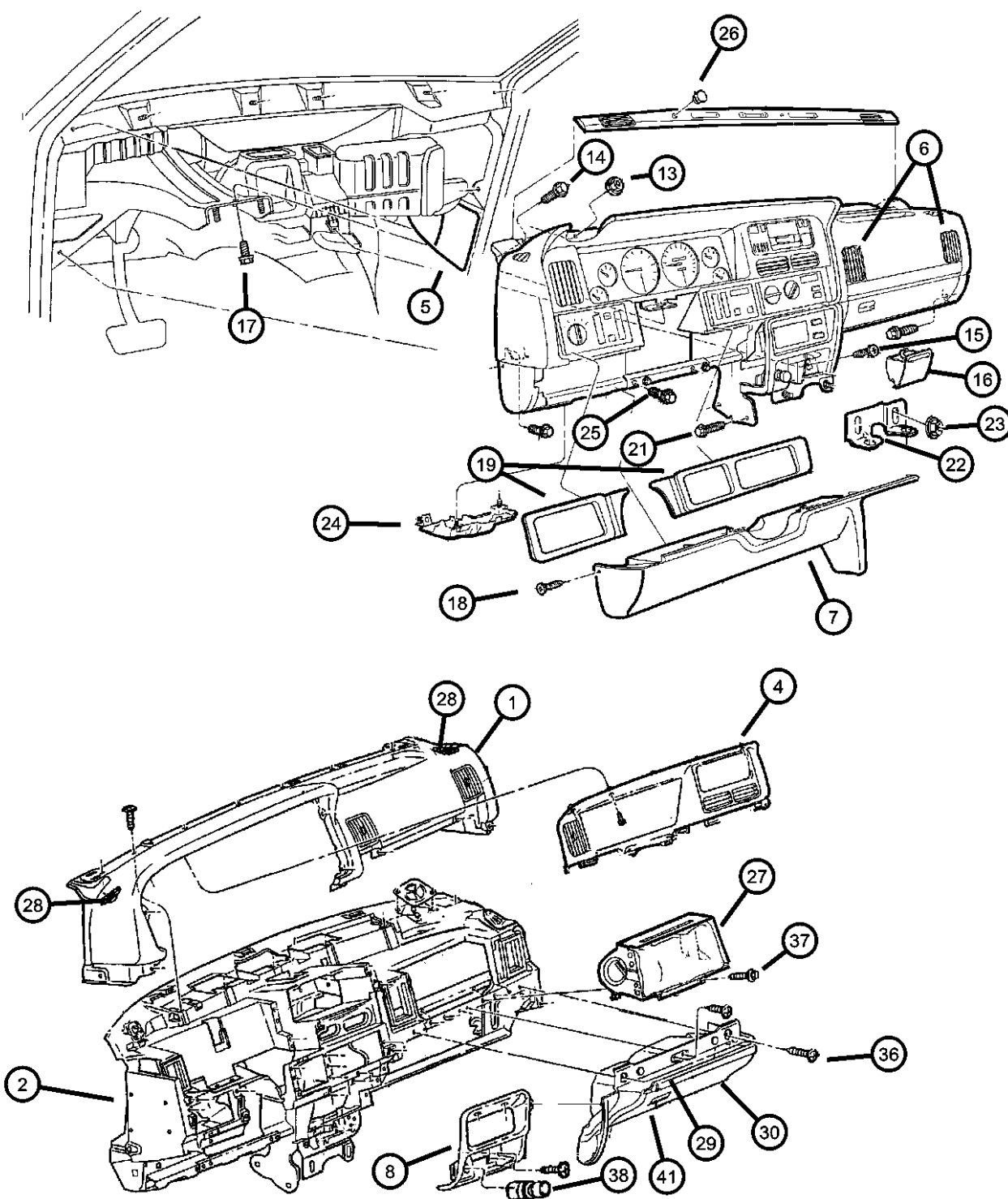
ENGINE
ELF = 5.2L V8 MPI Engine
EML = 5.9L V8 MPI Engine
ERH = 4.0L Power Tech I-6
Engine

TRANSMISSION
DGK = 4-Spd. Automatic 42RE
Transmission
DGW = 4-Spd. Automatic 4RE
Transmission
DG0 = Transmissions - All Automatic

AR = use ase required - = Non illustrated part

1997 ZJ

**Instrument Panel
Figure 08A-135**



| ITEM | PART NUMBER | QTY | LINE | SERIES | BODY | ENGINE | TRANS | TRIM | DESCRIPTION |
|------|-------------|-----|------|--------|------|--------|-------|------|---|
| 19 | | | | | | | | | BEZEL, Instrument Panel Switch |
| | 55115116 | 1 | | | | | | | Oxford Burl, Right |
| | 55115117 | 1 | | | | | | | Oxford Burl, Left |
| | 55116340AA | 1 | | | | | | | Maple (With TSI), Right |
| | 55116341AA | 1 | | | | | | | Maple (With TSI), Left |
| -20 | 55115329 | 1 | | | | | | | OUTLET, Demister, Center Duct |
| 21 | 55115329 | 1 | | | | | | | SCREW AND WASHER, (NOT SERVICED) |
| 22 | 55115994 | 1 | | | | | | | BRACKET, Instrument Panel |
| 23 | 06101445 | 2 | | | | | | | NUT AND WASHER, Hex Nut-Coned Washer, M8 x 1.25 |
| 24 | 55115963 | 1 | | | | | | | COVER, Wiring Protector |
| 25 | 06101786 | 2 | | | | | | | SCREW, Self Tapping, M6x1x15 |
| 26 | | | | | | | | | PLUG, Solar Sensor |
| | 5DX77SAZ | 1 | | | | | | | Agate |
| | 5DX77SC8 | 1 | | | | | | | Gray |
| | 5EL11SAZ | 1 | | | | | | | Agate Ultra Light Sensor |
| | 5EL11SC8 | 1 | | | | | | | Gray Ultra Light Sensor |
| 27 | 55314704AC | 1 | | | | | | | AIR BAG, Passenger |
| 28 | | | | | | | | | GRILLE, Instrument Panel Demister |
| | 5DS19SC8 | 1 | | | | | | | Paint as Required, Left |
| | 5DS18SC8 | 1 | | | | | | | Paint as Required, Right |
| 29 | | | | | | | | | MOLDING, Glove Box |
| | 55115123 | 1 | | | | | | | Burl |
| | 55116345AA | 1 | | | | | | | Maple With [ARV] |
| 30 | | | | | | | | | DOOR, Glove Box |
| | 5DW84SC8 | 1 | | | | | | | Gray |
| | 5DW84SAZ | 1 | | | | | | | Agate |
| | 5DW84TT6 | 1 | | | | | | | Spice/Saddle |
| | 5FZ641AZAA | 1 | | | | | | | Agate (TSI) |
| -31 | 0KK41SC8 | 1 | | | | | | | BEZEL, Glove Box, [P.A.R.] |
| -32 | 55115327 | 1 | | | | | | | STRIKER, Glove Box Door Latch |
| -33 | 04524343 | 2 | | | | | | | BUMPER, Glove Box Door |
| -34 | 04565022 | 1 | | | | | | | SWITCH AND LAMP, Glove Box |
| -35 | 55115326 | 1 | | | | | | | HINGE, Glovebox |

GRAND CHEROKEE (ZJ)

SERIES LINE
L = LOWLINE T = JEEP - 2WD
 J = JEEP - 4WD

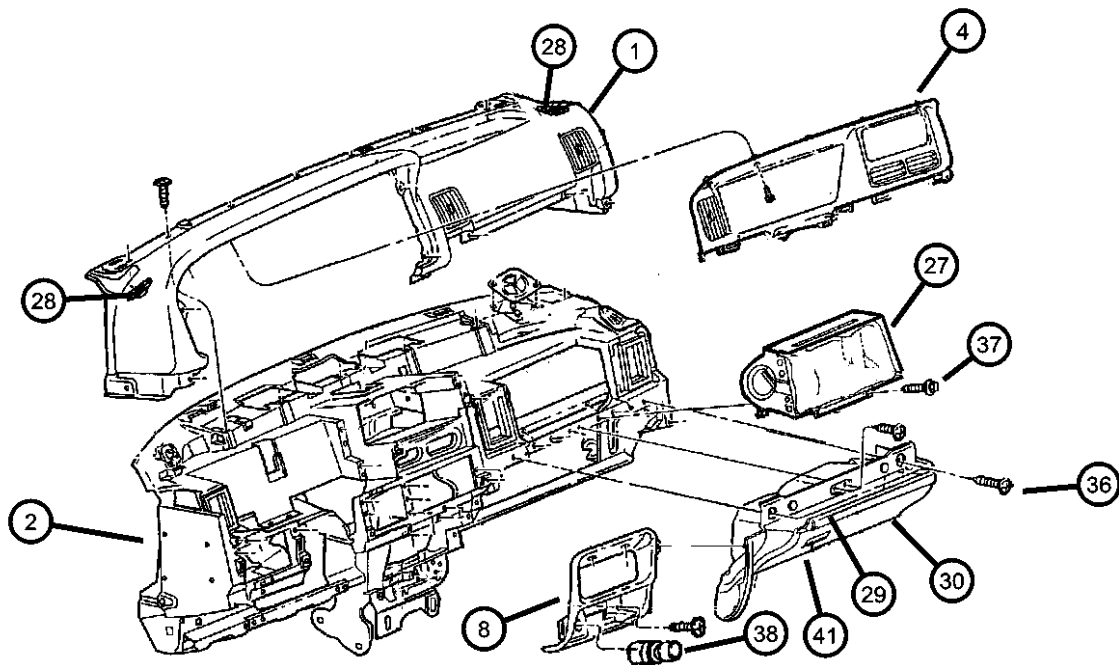
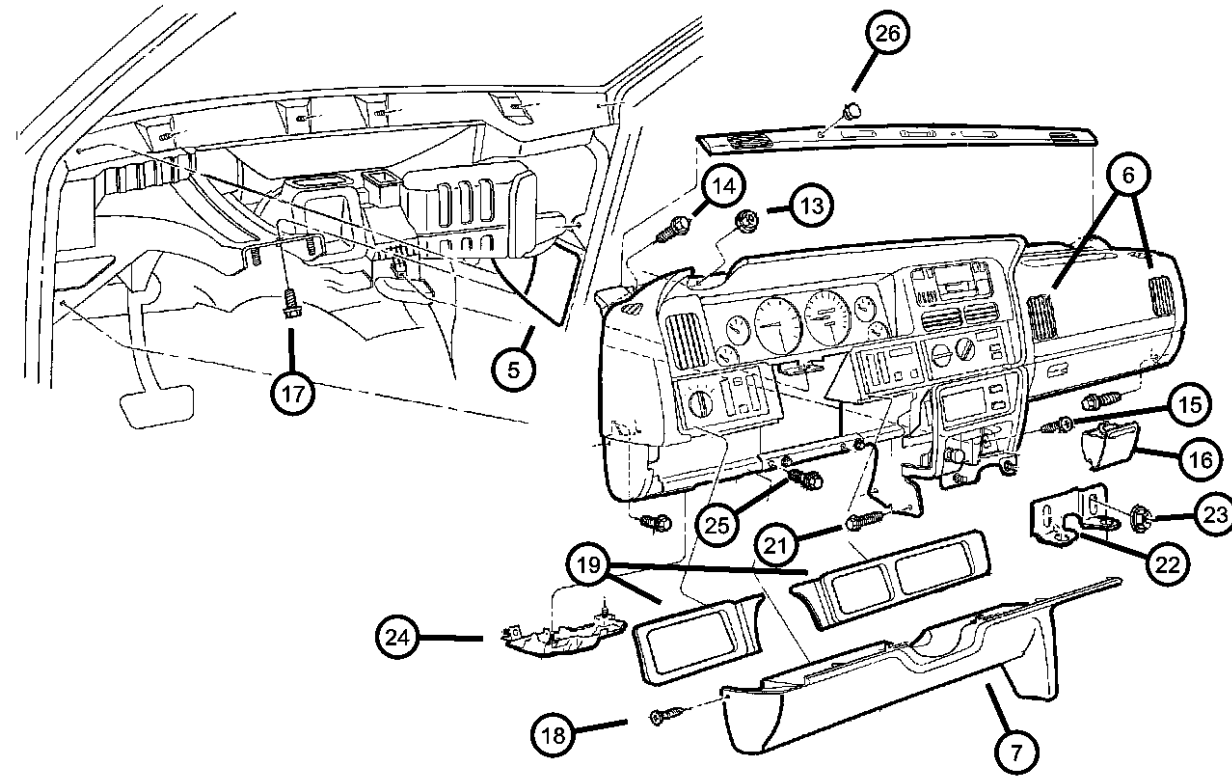
BODY
74 = SPORT UTILITY 4-DR

ENGINE
ELF = 5.2L V8 MPI Engine
EML = 5.9L V8 MPI Engine
ERH = 4.0L Power Tech I-6 Engine

TRANSMISSION
DGK = 4-Spd. Automatic 42RE Transmission
DGW = 4-Spd. Automatic 4RE Transmission
DG0 = Transmissions - All Automatic

AR = use ase required - = Non illustrated part

Instrument Panel
Figure 08A-135



| ITEM | PART NUMBER | QTY | LINE | SERIES | BODY | ENGINE | TRANS | TRIM | DESCRIPTION |
|------|-------------|-----|------|--------|------|--------|-------|------|--------------------------------------|
| 36 | 06032723 | 2 | | | | | | | SCREW, Self Tapping, M4.2x1.69x19.05 |
| 37 | 06101786 | 4 | | | | | | | SCREW, Self Tapping, M6x1x15 |
| 38 | 56007364 | 1 | | | | | | | KNOB AND ELEMENT, Cigar Lighter |
| -39 | 04685451 | 1 | | | | | | | BASE, Cigar Lighter |
| -40 | 04685371AB | 1 | | | | | | | LAMP, Cigar Lighter |
| 41 | | | | | | | | | LATCH, Glovebox Door |
| | 5DW86SAZ | 1 | | | | | | | Agate |
| | 5DW86SC8 | 1 | | | | | | | Gray |
| | 5DW86TT6 | 1 | | | | | | | Spice |

GRAND CHEROKEE (ZJ)

SERIES LINE
L = LOWLINE T = JEEP - 2WD
J = JEEP - 4WD

BODY
74 = SPORT UTILITY 4-DR

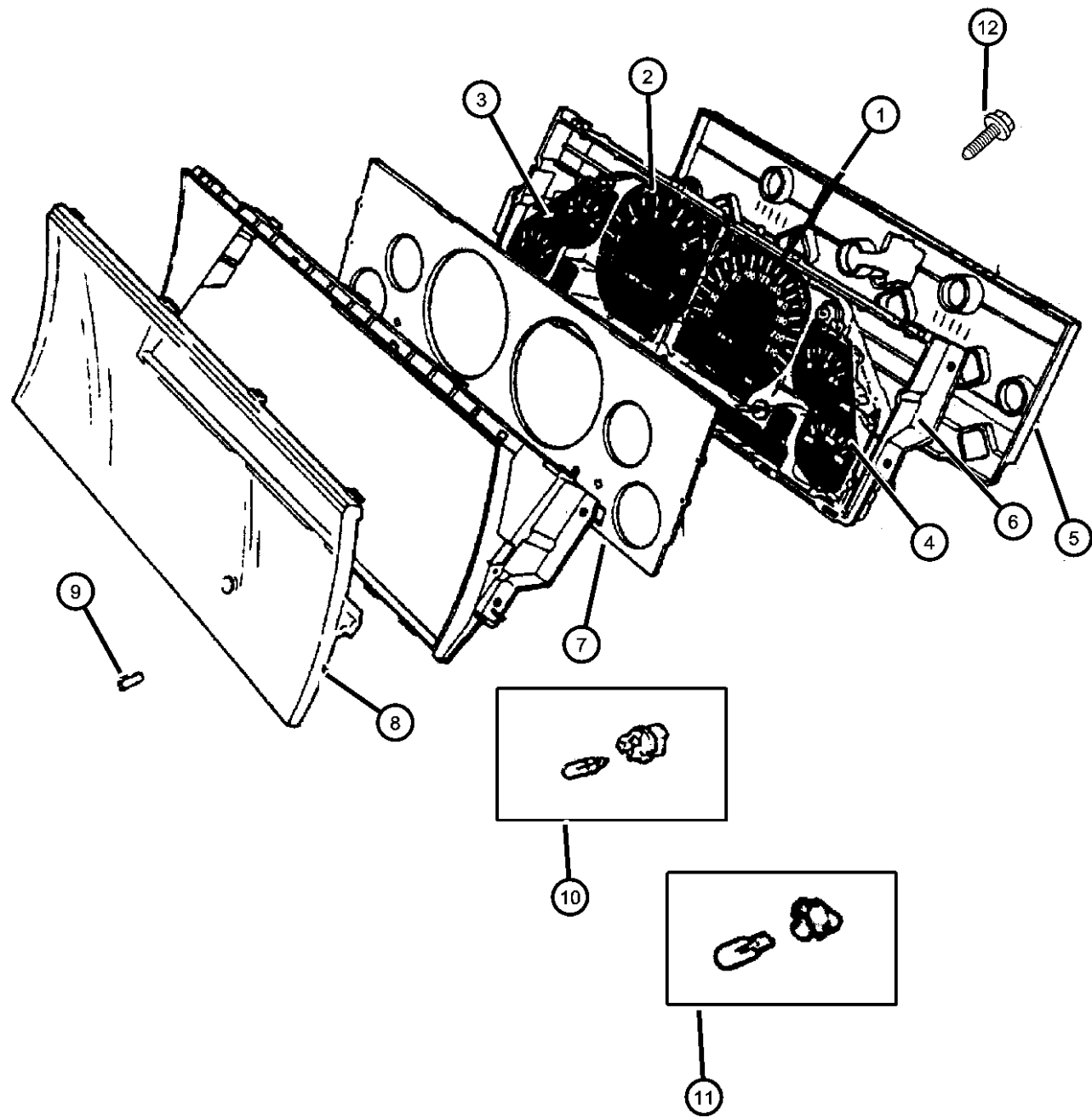
ENGINE
ELF = 5.2L V8 MPI Engine
EML = 5.9L V8 MPI Engine
ERH = 4.0L Power Tech I-6 Engine

TRANSMISSION
DGK = 4-Spd. Automatic 42RE Transmission
DGW = 4-Spd. Automatic 4RE Transmission
DG0 = Transmissions - All Automatic

AR = use ase required - = Non illustrated part

1997 ZJ

**Instrument Cluster
Figure 08A-230**



| ITEM | PART NUMBER | QTY | LINE | SERIES | BODY | ENGINE | TRANS | TRIM | DESCRIPTION |
|--|-------------|-----|------|--------|------|--------|-------|------|--|
| Case components, are serviced in the Circuit Board Assembly Mask 1 is located above gauges Mask 2 is located on the face/front of the cluster | | | | | | | | | |
| 1 | 04798828 | 1 | | | | | | | GAUGE, Speedometer Miles |
| | 04798829 | 1 | | | | | | | Kilo |
| 2 | 04798832 | 1 | | | | | | | GAUGE, Tachometer |
| 3 | 04798837 | 1 | | | | | | | GAUGE, Fuel And Volt With Fuel Graphic |
| | 04798838 | 1 | | | | | | | Without Fuel Graphic |
| 4 | 04798834 | 1 | | | | | | | GAUGE, Temperature And Oil Federal |
| | 04798835 | 1 | | | | | | | Canada |
| 5 | 04798835 | 1 | | | | | | | CASE, Cluster, Serviced in Printed Circuit Board, (NOT SERVICED), BOARD, Circuit |
| 6 | 04874997 | 1 | | | | | | | [MPH] |
| | 04875000 | 1 | | | | | | | [KPH] |
| 7 | 04798823 | 1 | | | | | | | MASK, Instrument Cluster Inner |
| | 04798824 | 1 | | | | | | | Outer |
| 8 | 04798826 | 1 | | | | | | | LENS, Cluster |
| 9 | 04638220 | 1 | | | | | | | KNOB, Odometer Reset |
| 10 | 04798827 | 9 | | | | | | | LAMP, Bulb And Socket |
| 11 | L00PC194 | 7 | | | | | | | LAMP, Bulb And Socket |
| 12 | 04798995 | 24 | | | | | | | SCREW, Gauge Mounting |
| -13 | 04897987AA | 1 | | | | | | | LENS, Telltale [MPH] |
| | 04897989AA | 1 | | | | | | | [KPH] |

GRAND CHEROKEE (ZJ)

SERIES LINE
L = LOWLINE T = JEEP - 2WD
 J = JEEP - 4WD

BODY
74 = SPORT UTILITY 4-DR

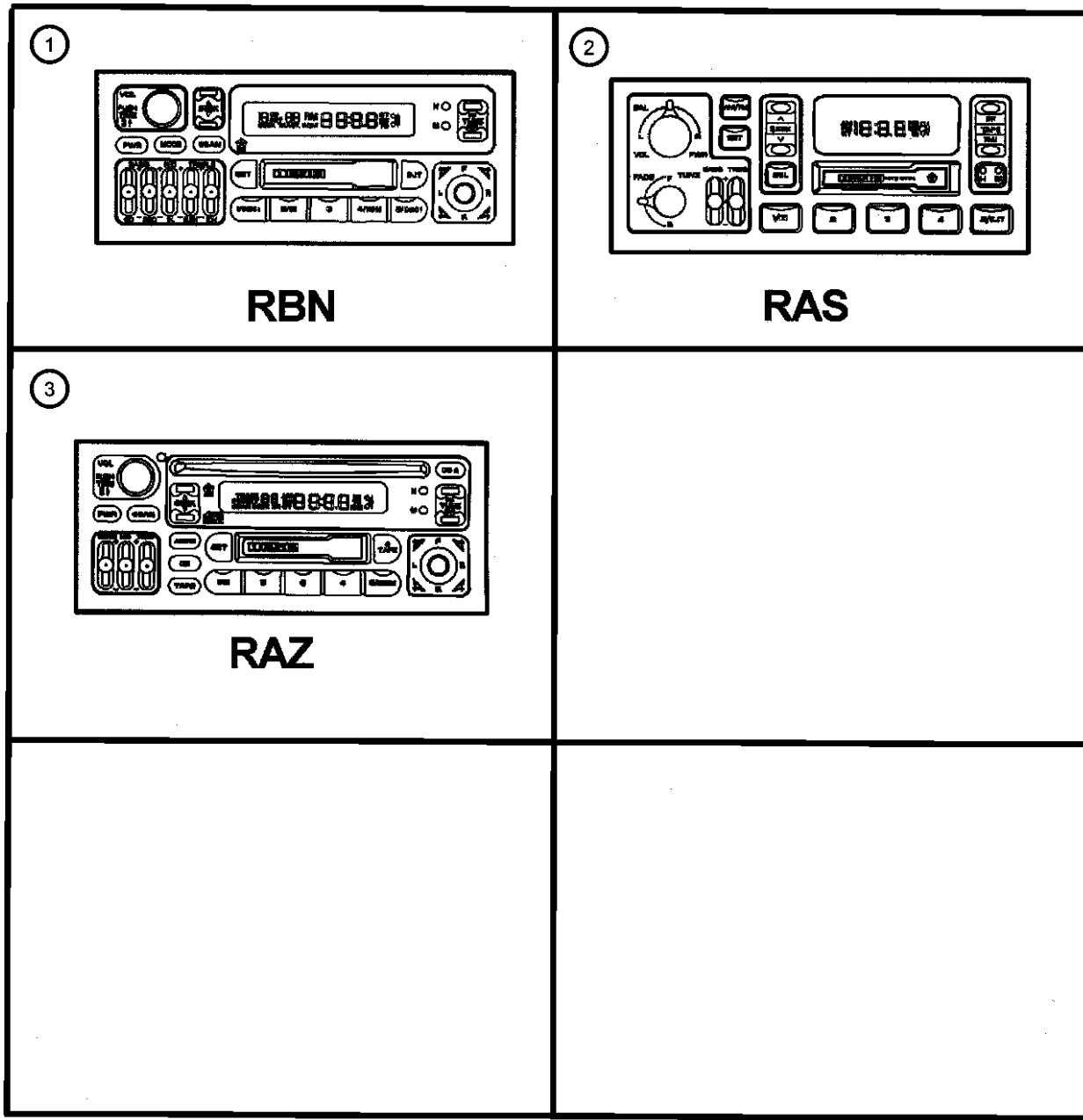
ENGINE
ELF = 5.2L V8 MPI Engine
EML = 5.9L V8 MPI Engine
ERH = 4.0L Power Tech I-6
Engine

TRANSMISSION
DGK = 4-Spd. Automatic 42RE
Transmission
DGW = 4-Spd. Automatic 4RE
Transmission
DG0 = Transmissions - All Automatic

AR = use ase required - = Non illustrated part

1997 ZJ

**Radio
Figure 08A-310**



| ITEM | PART NUMBER | QTY | LINE | SERIES | BODY | ENGINE | TRANS | TRIM | DESCRIPTION |
|------|-------------|-----|------|--------|------|--------|-------|------|-------------|
|------|-------------|-----|------|--------|------|--------|-------|------|-------------|

RAS=AM/FM Cassette
 RAZ=AM/FM w/CD & Cassette
 RBR=AM/FM w/CD & Equalizer
 RBN=AM/FM Cassette w/Control
 RBA=AM/FM w/CD

| | | | | | | | | | |
|----|------------|---|--|--|--|--|--|--|--|
| 1 | 04704386AB | 1 | | | | | | | |
| 2 | 04858556 | 1 | | | | | | | |
| 3 | 04704383AB | 1 | | | | | | | |
| -4 | 56007524 | 1 | | | | | | | |

RADIO, AM/FM Cassette with CD Control, RBN
 RADIO, AM/FM Cassette, RAS
 RADIO, AM/FM with CD and Cassette, RAZ
 STRAP, Ground

GRAND CHEROKEE (ZJ)

SERIES LINE
 L = LOWLINE T = JEEP - 2WD
 J = JEEP - 4WD

BODY
 74 = SPORT UTILITY 4-DR

ENGINE
 ELF = 5.2L V8 MPI Engine
 EML = 5.9L V8 MPI Engine
 ERH = 4.0L Power Tech I-6 Engine

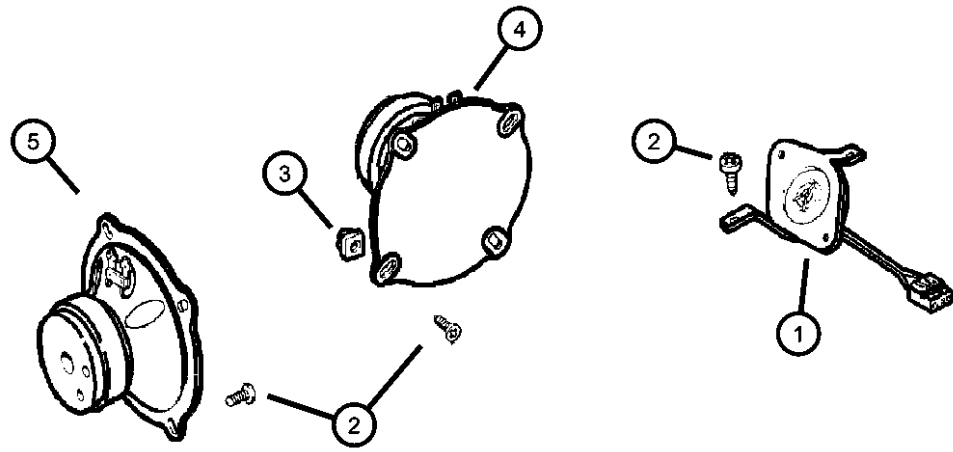
TRANSMISSION
 DGK = 4-Spd. Automatic 42RE Transmission
 DGW = 4-Spd. Automatic 4RE Transmission
 DG0 = Transmissions - All Automatic

AR = use ase required - = Non illustrated part

1997 ZJ

**Speakers
Figure 08A-315**

| ITEM | PART NUMBER | QTY | LINE | SERIES | BODY | ENGINE | TRANS | TRIM | DESCRIPTION |
|---|-------------|-----|------|--------|------|--------|-------|------|--|
| NOTE: ZJ uses "Chrysler" Radio RAS=AM/FM Cassette RAZ=AM/FM w/CD & Cassette RBR=AM/FM w/CD & Equalizer RBN=AM/FM Cassette w/Control RBA=AM/FM w/CD | | | | | | | | | |
| 1 | 56042100 | 2 | | | | | | | SPEAKER, Instrument Panel, (RCG)(RCM) |
| 2 | 06032723 | 8 | | | | | | | SCREW, Self Tapping, M4.2x1.69x19.05 |
| 3 | 06031138 | AR | | | | | | | NUT |
| 4 | | | | | | | | | SPEAKER, Door |
| | 56008731AC | 2 | | | | | | | With RCG RCM |
| | 56038548AA | 2 | | | | | | | With RCD, Front Door |
| 5 | | | | | | | | | SPEAKER, Door |
| | 56007349 | 2 | | | | | | | [RCD] |
| | 56008731AC | 2 | | | | | | | [RCM] |
| | 56009340AC | 2 | | | | | | | [RCG], Rear Door |
| -6 | | | | | | | | | GRILLE, Speaker |
| | 0PH92ST6 | 1 | | | | | | | Tan, Right Front Door |
| | 0PH93SAZ | 1 | | | | | | | Agate, Left Front Door |
| | 0PH93SC3 | 1 | | | | | | | Mist Gray, Left Front Door |
| | 0PH93ST6 | 1 | | | | | | | Tan, Left Front Door |
| | 0PH92SAZ | 1 | | | | | | | Agate, Right Front Door |
| | 0PH92SC3 | 1 | | | | | | | Mist Gray, Right Front Door |
| -7 | 55216704 | 1 | | | | | | | NAMEPLATE, Speaker Grille |
| -8 | | | | | | | | | AMPLIFIER, Radio |
| | 56007499 | 1 | | | | | | | [RCG] |
| | 56042266 | 1 | | | | | | | [RCM] |
| -9 | 56042347 | 1 | | | | | | | BRACKET, Audio Equipment, Amplifier mounting |



GRAND CHEROKEE (ZJ)

SERIES

L = LOWLINE

LINE

T = JEEP - 2WD

J = JEEP - 4WD

BODY

74 = SPORT UTILITY 4-DR

ENGINE

ELF = 5.2L V8 MPI Engine

EML = 5.9L V8 MPI Engine

ERH = 4.0L Power Tech I-6 Engine

TRANSMISSION

DGK = 4-Spd. Automatic 42RE

Transmission

DGW = 4-Spd. Automatic 4RE

Transmission

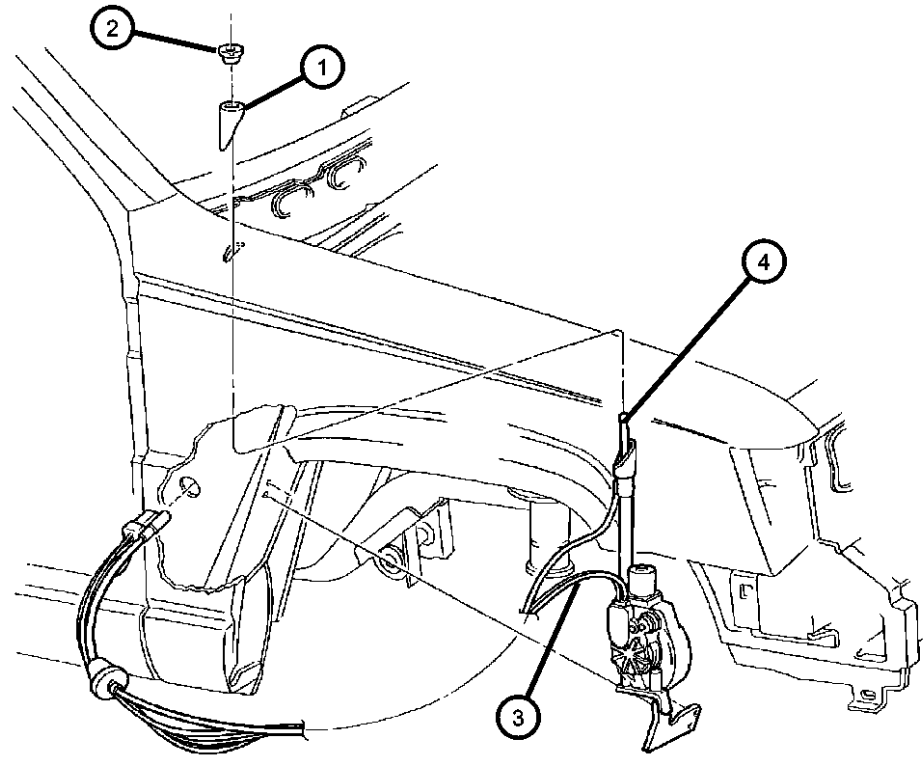
DG0 = Transmissions - All Automatic

AR = use ase required - = Non illustrated part

1997 ZJ

**Antenna
Figure 08A-340**

| ITEM | PART NUMBER | QTY | LINE | SERIES | BODY | ENGINE | TRANS | TRIM | DESCRIPTION |
|------|-------------|-----|------|--------|------|--------|-------|------|-------------------------|
| 1 | 56007173 | 1 | | | | | | | BASE, Antenna |
| 2 | 56006828 | 1 | | | | | | | CAP NUT, Antenna |
| 3 | 56007363 | 1 | | | | | | | BODY AND CABLE, Antenna |
| 4 | 56038500AB | 1 | | | | | | | MAST, Antenna |



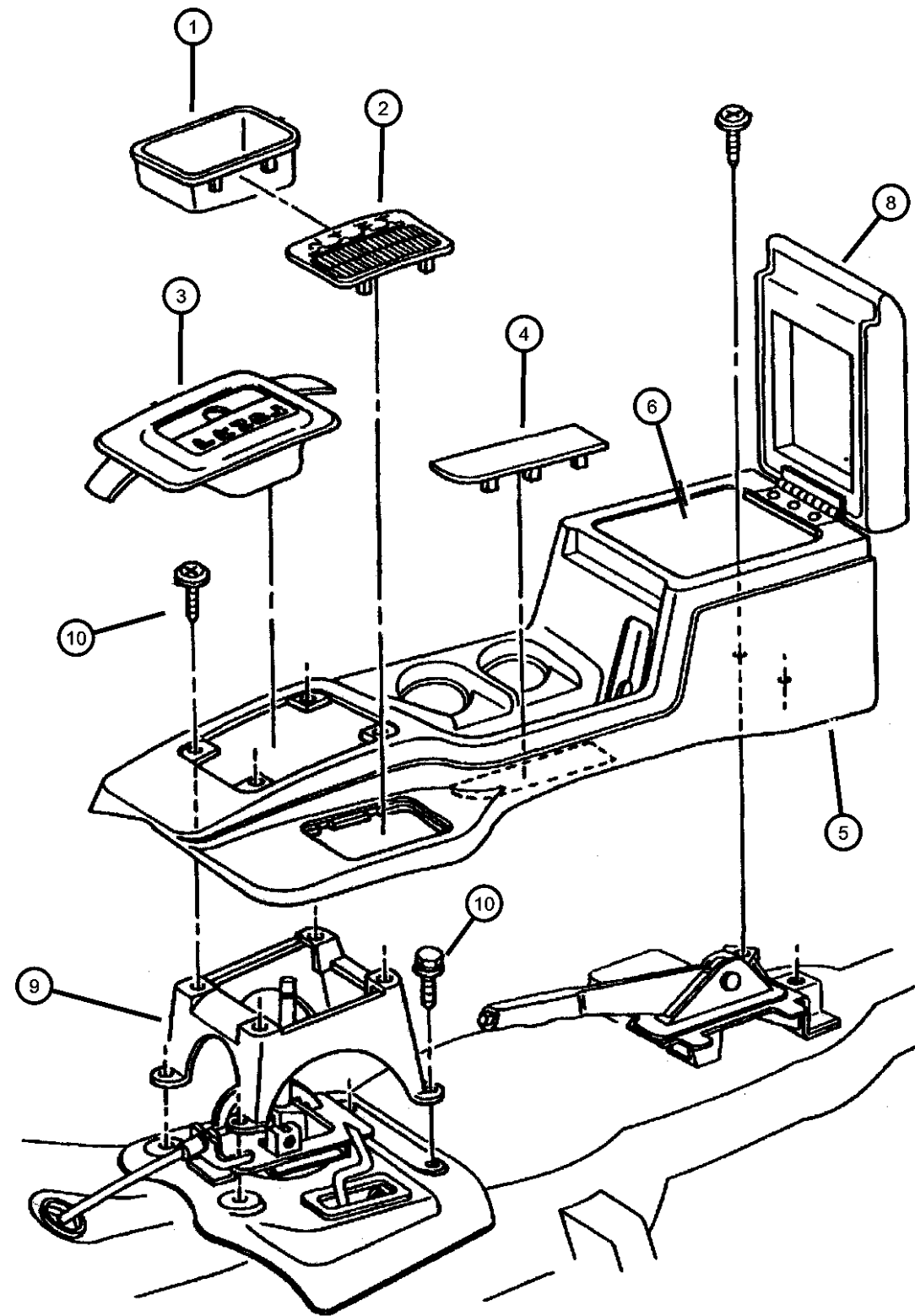
GRAND CHEROKEE (ZJ)

| | | | | |
|-------------|----------------------------------|-------------------------|--|--|
| SERIES | LINE | BODY | ENGINE | TRANSMISSION |
| L = LOWLINE | T = JEEP - 2WD J = JEEP - 4WD | 74 = SPORT UTILITY 4-DR | ELF = 5.2L V8 MPI Engine EML = 5.9L V8 MPI Engine ERH = 4.0L Power Tech I-6 Engine | DGK = 4-Spd. Automatic 42RE Transmission DGW = 4-Spd. Automatic 4RE Transmission DG0 = Transmissions - All Automatic |

AR = use ase required - = Non illustrated part

1997 ZJ

Floor Console
Figure 08A-440



| ITEM | PART NUMBER | QTY | LINE | SERIES | BODY | ENGINE | TRANS | TRIM | DESCRIPTION |
|------|-------------|-----|------|--------|------|--------|-------|------|---|
| 1 | 55030314 | 1 | T | | | | | | COVER, Transfer Case Lever Hole, Control Shift Lever Hole w/2WD |
| 2 | 55115772 | 1 | J | | | | | | BEZEL, Transfer Case 242 Transfer Case |
| | 55115773 | 1 | J | | | | | | 249 Transfer Case |
| 3 | 55116071 | 1 | | | | | | | BEZEL, Floor Console, Shift Bezel |
| 4 | 5EP14SAZ | 1 | | | | | | | BEZEL, Park Brake Opening Agate |
| | 5EP14SC3 | 1 | | | | | | | Mist Gray |
| | 5EP14ST6 | 1 | | | | | | | Tan |
| 5 | 5DY05SAZ | 1 | | | | | | | CONSOLE, Floor Agate |
| | 5DY05SC3 | 1 | | | | | | | Mist Gray |
| | 5DY05ST6 | 1 | | | | | | | Tan |
| 6 | 55115230 | 1 | | | | | | | BIN, Floor Console, Full Floor Console |
| -7 | 06032838 | 3 | | | | | | | CLIP, .500x.417x.500 |
| 8 | 5DT46SAZ | 1 | | | | | | | LID, Floor Console Bin Agate |
| | 5DT46SC3 | 1 | | | | | | | Mist Gray |
| | 5DT46ST6 | 1 | | | | | | | Tan |
| 9 | 55116124 | 1 | | | | | | | BRACKET, Floor Pan |
| 10 | 55116124 | 1 | | | | | | | SCREW, .190-16 X .750, (NOT SERVICED) |
| -11 | 55295725 | 1 | J | | | | | | COVER, Gearshift |
| | 55295731 | 1 | T | | | | | | |

GRAND CHEROKEE (ZJ)

SERIES LINE
L = LOWLINE T = JEEP - 2WD
J = JEEP - 4WD

BODY
74 = SPORT UTILITY 4-DR

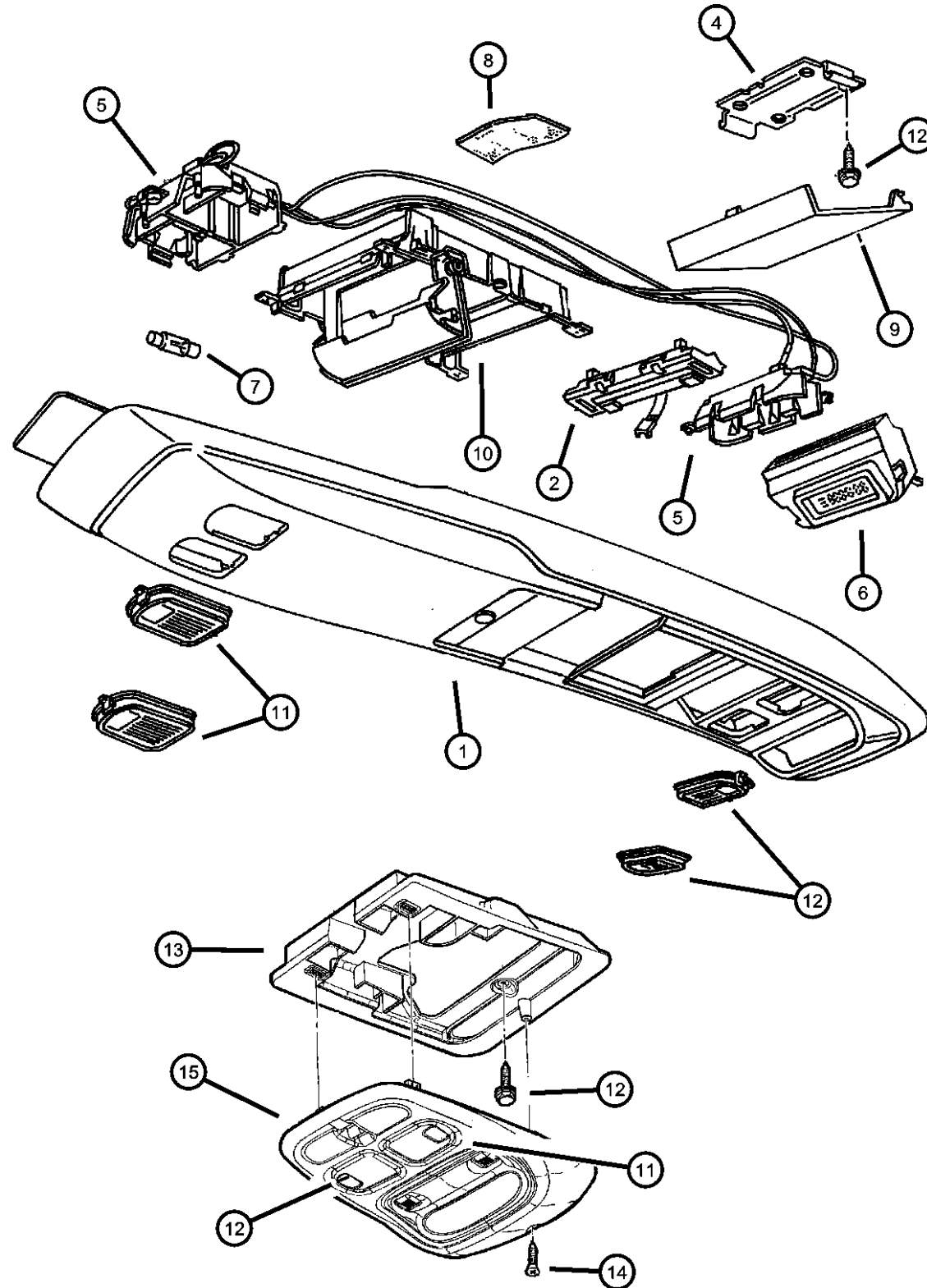
ENGINE
ELF = 5.2L V8 MPI Engine
EML = 5.9L V8 MPI Engine
ERH = 4.0L Power Tech I-6 Engine

TRANSMISSION
DGK = 4-Spd. Automatic 42RE Transmission
DGW = 4-Spd. Automatic 4RE Transmission
DG0 = Transmissions - All Automatic

AR = use ase required - = Non illustrated part

1997 ZJ

Overhead Console,
Figure 08A-460



| ITEM | PART NUMBER | QTY | LINE | SERIES | BODY | ENGINE | TRANS | TRIM | DESCRIPTION |
|------|-------------|-----|------|--------|------|--------|-------|------|-------------|
|------|-------------|-----|------|--------|------|--------|-------|------|-------------|

NOTES: Refer to Serviced Manual for Calibrating Module.

| | | | | | | | | | |
|-----|----------|---|--|--|--|--|--|--|---|
| 1 | 0PL85SAZ | 1 | | | | | | | HOUSING, Overhead Console Agate |
| | 0PL85SC1 | 1 | | | | | | | Mist Gray |
| | 0PL85ST6 | 1 | | | | | | | Spice |
| 2 | 04565031 | 2 | | | | | | | SWITCH, Overhead Console Lamp |
| -3 | 04773572 | 1 | | | | | | | RETAINER, Overhead Console Switch, Switch Mini Console |
| 4 | 55033850 | 1 | | | | | | | BRACKET, Overhead Console |
| 5 | 04863981 | 1 | | | | | | | WIRING, Overhead Console With Mini Console |
| | 04863982 | 1 | | | | | | | |
| 6 | 56042177 | 1 | | | | | | | MODULE, Compass Temperature |
| 7 | L0021202 | 2 | | | | | | | BULB, 212-2 |
| 8 | 04798405 | 1 | | | | | | | ADAPTER, Garage Door Button |
| 9 | 04761965 | 1 | | | | | | | DOOR, Garage Door Opener |
| 10 | 04761436 | 1 | | | | | | | HOUSING AND DOOR, Overhead Console, Sunglass |
| 11 | 05268175 | 1 | | | | | | | LENS, Reading Lamp Right Rear |
| | 05268176 | 1 | | | | | | | Left Rear |
| 12 | 05268175 | 1 | | | | | | | LENS, Reading Lamp Left Front |
| | 05268176 | 1 | | | | | | | Right Front |
| 13 | 55196518 | 1 | | | | | | | BRACKET, Overhead Console, Mini Console |
| 14 | 55196518 | 1 | | | | | | | SCREW, (NOT SERVICED) |
| 15 | 0LE65SAZ | 1 | | | | | | | HOUSING, Overhead Console, Mini Console (P.A.R.) *** |
| -16 | 04773571 | 1 | | | | | | | BEZEL, Overhead Console, Display Lens |
| -17 | 04773573 | 2 | | | | | | | CLIP, Console |

GRAND CHEROKEE (ZJ)

SERIES LINE
L = LOWLINE T = JEEP - 2WD
J = JEEP - 4WD

BODY
74 = SPORT UTILITY 4-DR

ENGINE
ELF = 5.2L V8 MPI Engine
EML = 5.9L V8 MPI Engine
ERH = 4.0L Power Tech I-6
Engine

TRANSMISSION
DGK = 4-Spd. Automatic 42RE
Transmission
DGW = 4-Spd. Automatic 4RE
Transmission
DG0 = Transmissions - All Automatic

AR = use ase required - = Non illustrated part

1997 ZJ

Group - 9

Engine Mounting

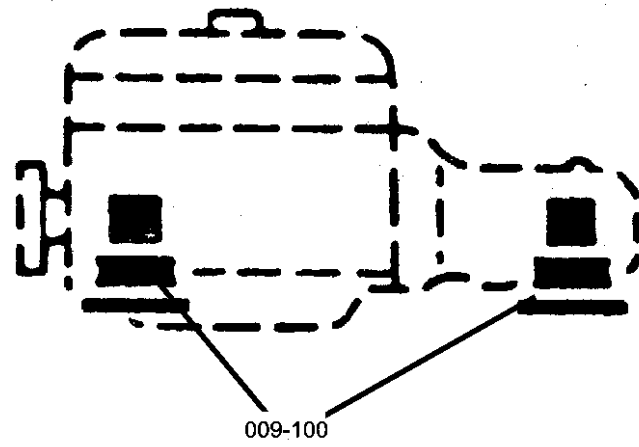
Group - 9 Engine Mounting

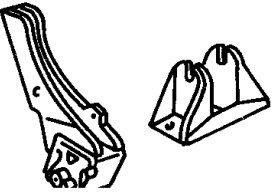
Illustration Title

Group-Fig. No.

Engine Mounting

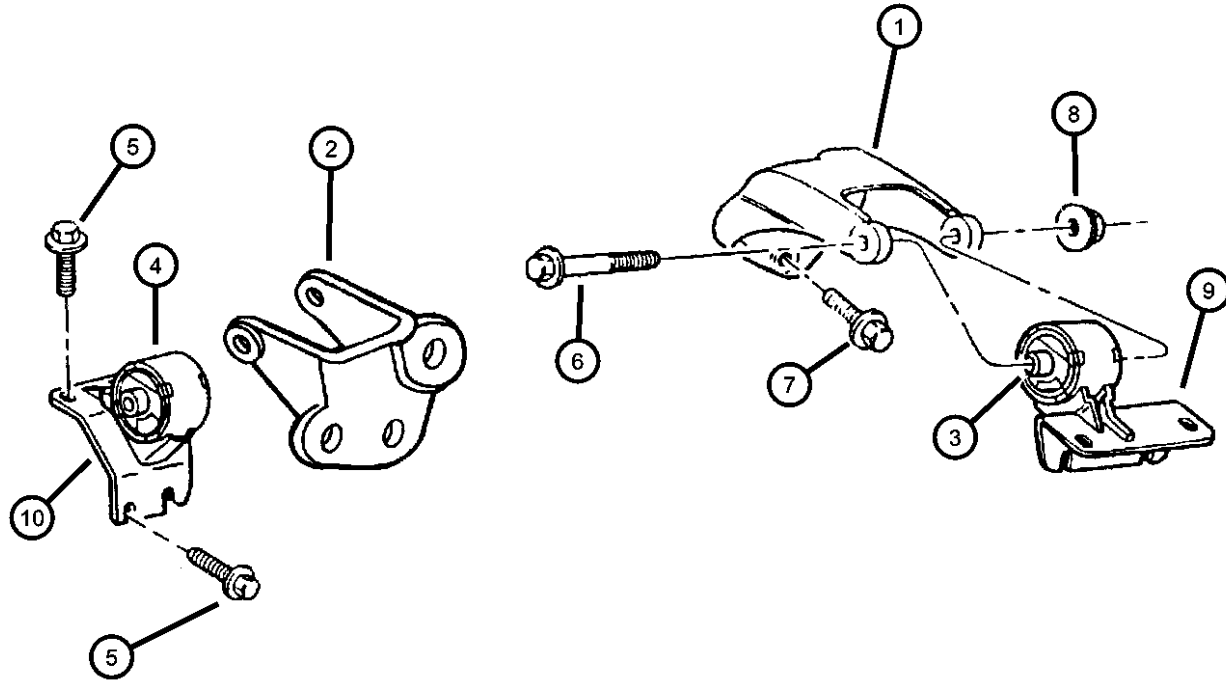
| | |
|-----------------------------|--------------|
| Engine Mounting, Front..... | Fig. 9 - 110 |
| Engine Mounting, Rear..... | Fig. 9 - 120 |
| Engine Mounting, Front..... | Fig. 9 - 130 |
| Engine Mounting, Rear..... | Fig. 9 - 140 |
| Engine Mounting, Front..... | Fig. 9 - 150 |
| Engine Mounting, Rear..... | Fig. 9 - 160 |



| | | | |
|--|--|--|--|
| <p>009-100 Engine Mounting</p>  | | | |
|--|--|--|--|

Engine Mounting, Front
Figure 9-110

| ITEM | PART NUMBER | QTY | LINE | SERIES | BODY | ENGINE | TRANS | TRIM | DESCRIPTION |
|------|-------------|-----|------|--------|------|--------|-------|------|--|
| 1 | 52017829 | 1 | | | | ER0 | | | BRACKET, Engine MountLeft |
| 2 | 52017851 | 1 | | | | ER0 | | | BRACKET, Engine MountRight |
| 3 | 52058503AB | 1 | | | | ER0 | | | INSULATOR, Engine Mount |
| 4 | 52058502 | 1 | | | | ER0 | | | INSULATOR, Engine Mount |
| 5 | 06503119 | 8 | | | | ER0 | | | SCREW AND WASHER, Hex Head, M10x1.5x40 |
| 6 | 06504553 | 2 | | | | | | | SCREW, Oval Head, SCREW |
| 7 | 06034989 | 6 | | | | ER0 | | | SCREW, Hex Head, .375-16x1.125 |
| 8 | 06502697 | 2 | | | | | | | NUT, Hex Flange Lock, M12x1.75 |
| 9 | 52058503AB | 1 | | | | ER0 | | | INSULATOR, Engine Mount |
| 10 | 52058502 | 1 | | | | ER0 | | | INSULATOR, Engine Mount |

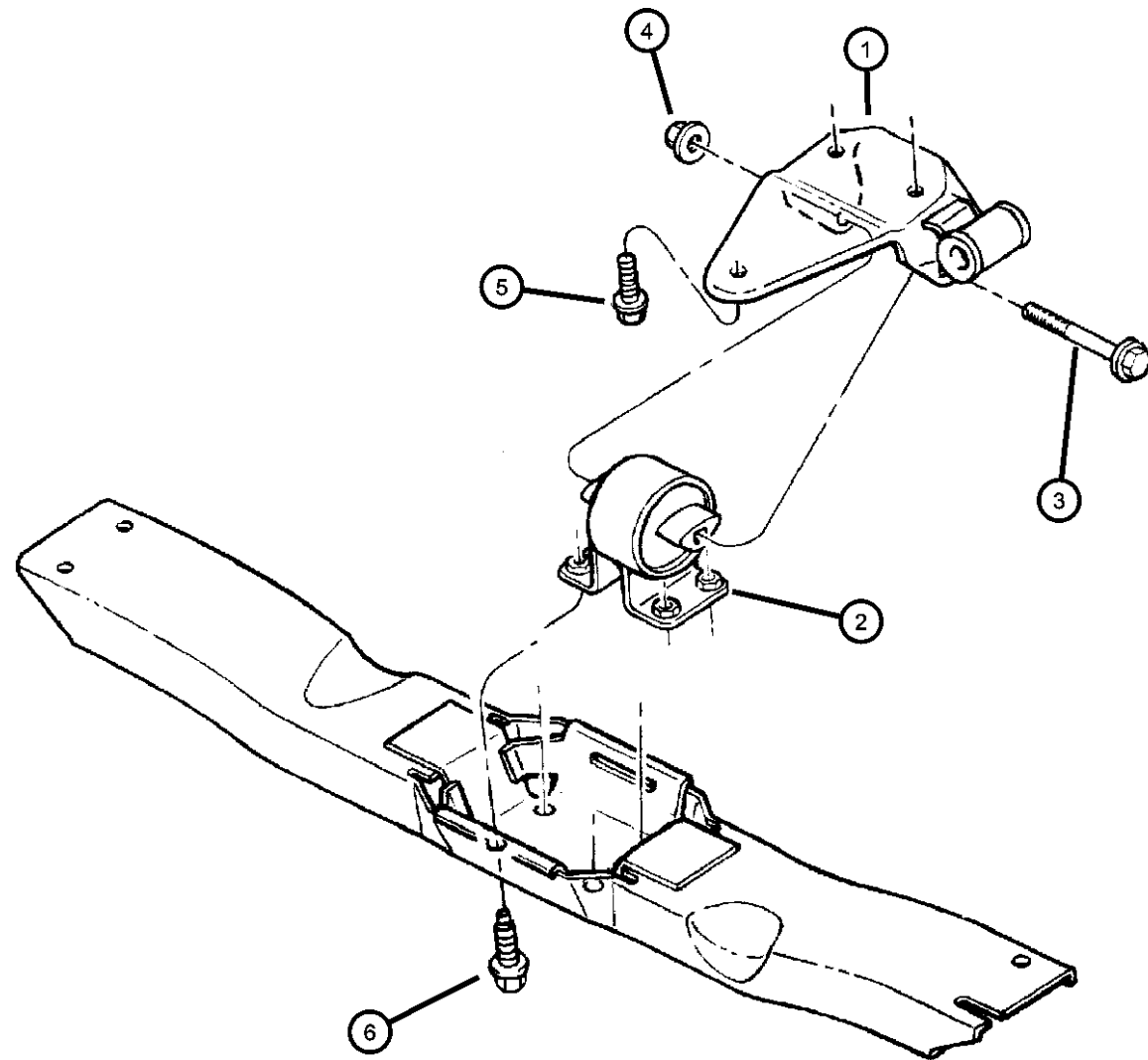


GRAND CHEROKEE (ZJ)

| | | | | |
|-------------|----------------------------------|-------------------------|--|--|
| SERIES | LINE | BODY | ENGINE | TRANSMISSION |
| L = LOWLINE | T = JEEP - 2WD J = JEEP - 4WD | 74 = SPORT UTILITY 4-DR | ELF = 5.2L V8 MPI Engine EML = 5.9L V8 MPI Engine ERH = 4.0L Power Tech I-6 Engine | DGK = 4-Spd. Automatic 42RE Transmission DGW = 4-Spd. Automatic 4RE Transmission DG0 = Transmissions - All Automatic |

AR = use ase required - = Non illustrated part

Engine Mounting, Rear
Figure 9-120



| ITEM | PART NUMBER | QTY | LINE | SERIES | BODY | ENGINE | TRANS | TRIM | DESCRIPTION |
|------|-------------|-----|------|--------|------|--------|-------|------|--|
| 1 | 52019542 | 1 | J | | | ER0 | DGK | | BRACKET, Transmission Mount |
| | 52058783 | 1 | T | | | ER0 | DGK | | |
| 2 | 52058485 | 1 | | | | ER0 | DGK | | SUPPORT, Transmission |
| 3 | 06504553 | 1 | | | | | | | SCREW, Oval Head, SCREW |
| 4 | 06502697 | 1 | | | | | | | NUT, Hex Flange Lock, M12x1.75 |
| 5 | 06033358 | 3 | T | | | | DG0 | | SCREW AND WASHER, Hex Head Locking, .437-14x1.25 |
| 6 | 06033358 | 3 | | | | | | | SCREW, M10x1.50x35.00, (NOT SERVICED) |

GRAND CHEROKEE (ZJ)

SERIES LINE
L = LOWLINE T = JEEP - 2WD
 J = JEEP - 4WD

BODY
74 = SPORT UTILITY 4-DR

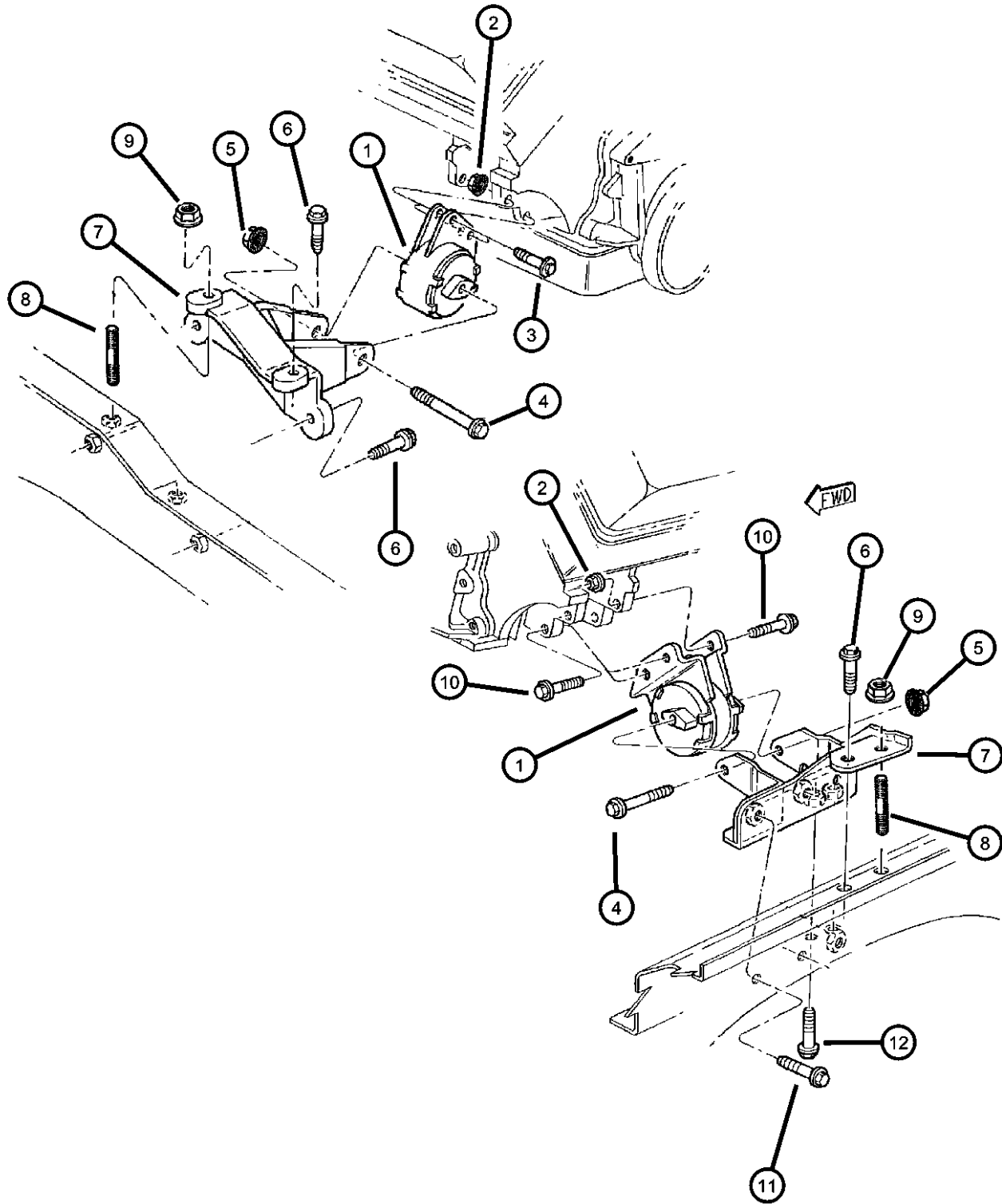
ENGINE
ELF = 5.2L V8 MPI Engine
EML = 5.9L V8 MPI Engine
ERH = 4.0L Power Tech I-6 Engine

TRANSMISSION
DGK = 4-Spd. Automatic 42RE Transmission
DGW = 4-Spd. Automatic 4RE Transmission
DG0 = Transmissions - All Automatic

AR = use ase required - = Non illustrated part

1997 ZJ

Engine Mounting, Front
Figure 9-130



| ITEM | PART NUMBER | QTY | LINE | SERIES | BODY | ENGINE | TRANS | TRIM | DESCRIPTION |
|------|-------------|-----|------|--------|------|----------|-------|------|---|
| 1 | | | | | | | | | INSULATOR, Engine Mount |
| | 52058504 | 1 | | | | ELO, EMO | | | |
| | 52058505 | 1 | | | | ELO | | | |
| 2 | 52058505 | 1 | | | | | | | NUT, 7/16x14, (NOT SERVICED) |
| 3 | 06030754 | 2 | | | | ELO, EMO | | | SCREW AND WASHER, Hex Head, .437-14x1.875 Grade 8 |
| 4 | 06504553 | 2 | | | | | | | SCREW, Oval Head, SCREW |
| 5 | 06502697 | 2 | | | | | | | NUT, Hex Flange Lock, M12x1.75 |
| 6 | 06503119 | 4 | | | | ELO, EMO | | | SCREW AND WASHER, Hex Head, M10x1.5x40 |
| 7 | | | | | | | | | BRACKET, Sill |
| | 52058009 | 1 | | | | ELO, EMO | | | Left |
| | 52058014 | 1 | | | | ELO, EMO | | | Right |
| 8 | 06504794AA | 2 | | | | ELO, EMO | | | STUD, Double Ended, M10x1.5x59 |
| 9 | 06101448 | 2 | | | | ELO, EMO | | | NUT AND WASHER, Hex Nut-Coned Washer, M10 x 1.5 |
| 10 | 06030713 | 3 | | | | ELO, EMO | | | SCREW AND WASHER, Hex Head, .437-14x1.625 Grade 8 |
| 11 | 06502560 | 2 | | | | ELO, EMO | | | BOLT, Hex Flange Pilot Point, M12x1.75 x 95 |
| 12 | 06502557 | 2 | | | | | | | BOLT, Hex Flange Head, M12x1.75x40 |

GRAND CHEROKEE (ZJ)

SERIES LINE
 L = LOWLINE T = JEEP - 2WD
 J = JEEP - 4WD

BODY
 74 = SPORT UTILITY 4-DR

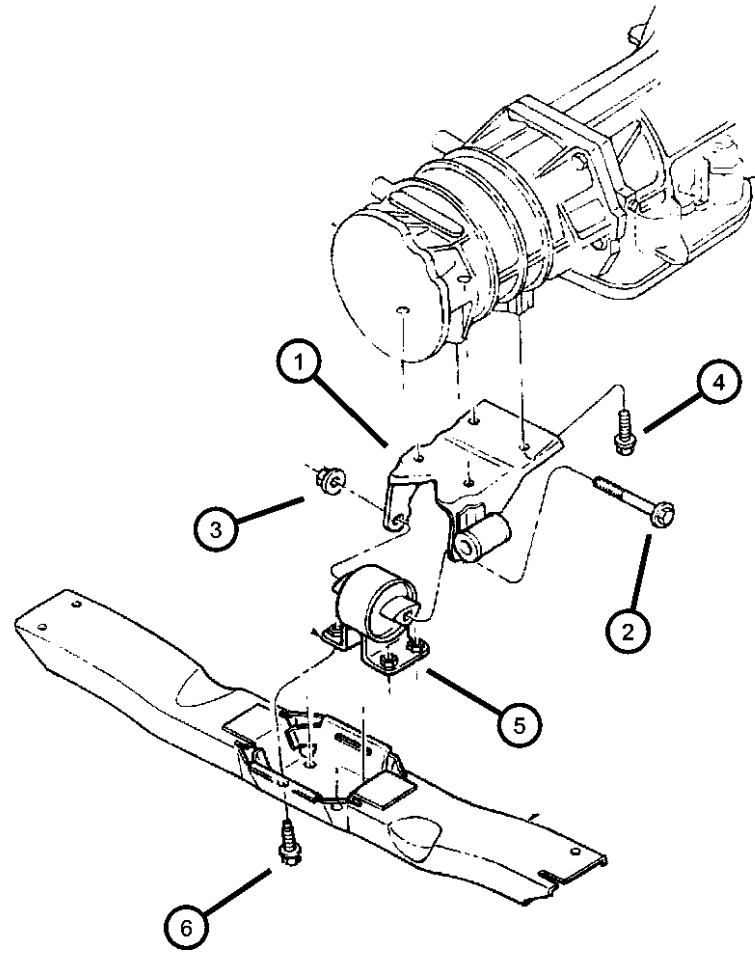
ENGINE
 ELF = 5.2L V8 MPI Engine
 EML = 5.9L V8 MPI Engine
 ERH = 4.0L Power Tech I-6 Engine

TRANSMISSION
 DGK = 4-Spd. Automatic 42RE Transmission
 DGW = 4-Spd. Automatic 4RE Transmission
 DG0 = Transmissions - All Automatic

AR = use ase required - = Non illustrated part

Engine Mounting, Rear
Figure 9-140

| ITEM | PART NUMBER | QTY | LINE | SERIES | BODY | ENGINE | TRANS | TRIM | DESCRIPTION |
|------|-------------|-----|------|--------|------|----------|-------|------|--|
| 1 | 52058784 | 1 | J | | | EL0, EM0 | DGW | | BRACKET, Transmission Mount |
| 2 | 06504553 | 1 | | | | | | | SCREW, Oval Head, SCREW |
| 3 | 06502697 | 1 | | | | | | | NUT, Hex Flange Lock, M12x1.75 |
| 4 | 06033358 | 4 | J | | | EL0, EM0 | DGW | | SCREW AND WASHER, Hex Head Locking, .437-14x1.25 |
| 5 | 52058488 | 1 | J | | | EL0, EM0 | DGW | | SUPPORT, Transmission |
| 6 | 52058488 | 1 | | | | | | | SCREW, M10x1.50x35.00, (NOT SERVICED) |



GRAND CHEROKEE (ZJ)

SERIES LINE
L = LOWLINE T = JEEP - 2WD
 J = JEEP - 4WD

BODY
74 = SPORT UTILITY 4-DR

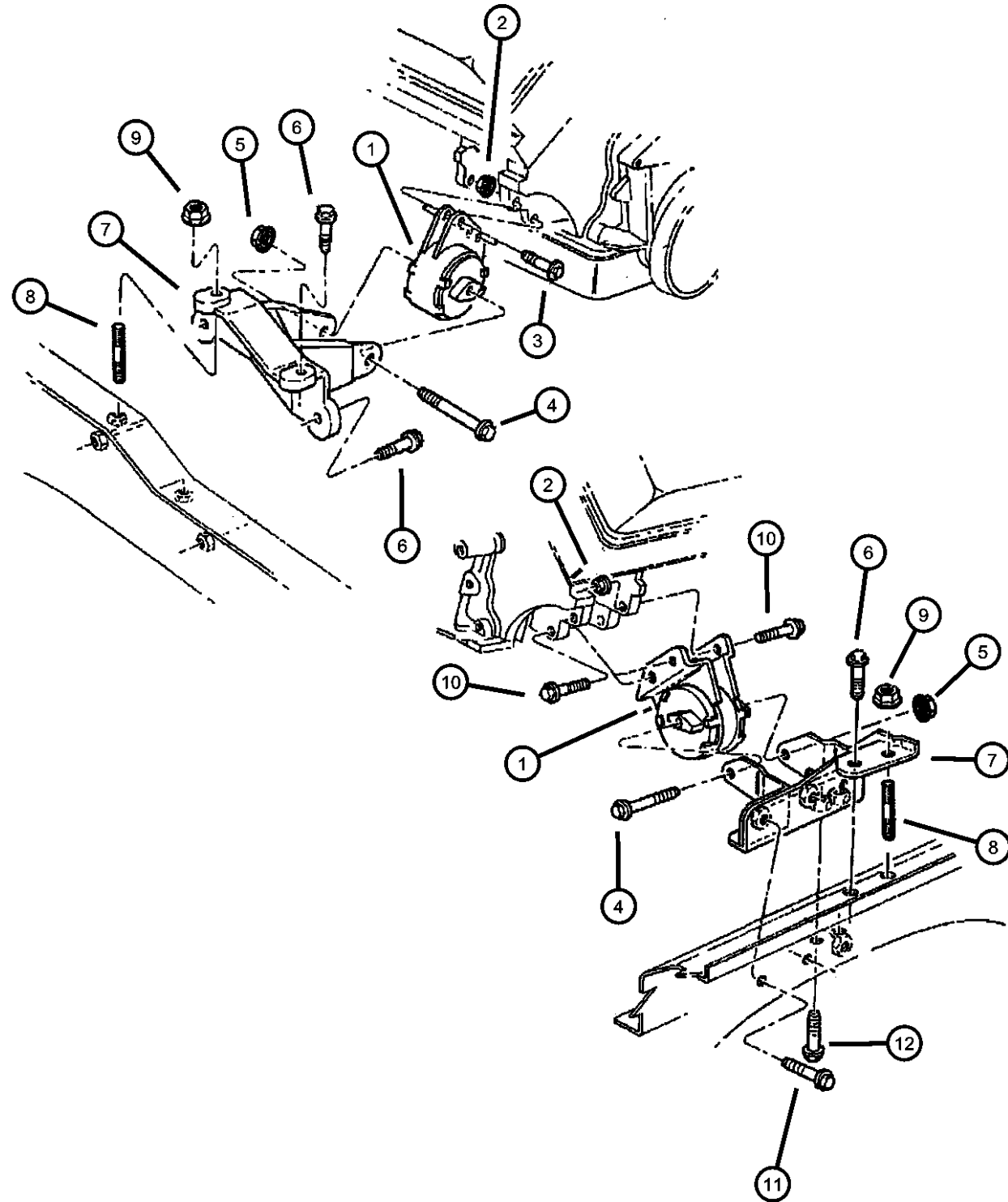
ENGINE
ELF = 5.2L V8 MPI Engine
EML = 5.9L V8 MPI Engine
ERH = 4.0L Power Tech I-6 Engine

TRANSMISSION
DGK = 4-Spd. Automatic 42RE Transmission
DGW = 4-Spd. Automatic 4RE Transmission
DG0 = Transmissions - All Automatic

AR = use ase required - = Non illustrated part

1997 ZJ

Engine Mounting, Front
Figure 9-150



| ITEM | PART NUMBER | QTY | LINE | SERIES | BODY | ENGINE | TRANS | TRIM | DESCRIPTION |
|------|-------------|-----|------|--------|------|----------|-------|------|---|
| 1 | 52058504 | 1 | | | | EL0, EM0 | | | INSULATOR, Engine Mount Right |
| | 52059219 | 1 | | | | EM0 | | | Left |
| 2 | 52059219 | 1 | | | | | | | NUT, 7/16x14, (NOT SERVICED) |
| 3 | 06030754 | 2 | | | | EL0, EM0 | | | SCREW AND WASHER, Hex Head, .437-14x1.875 Grade 8 |
| 4 | 06504553 | 2 | | | | | | | SCREW, Oval Head, SCREW |
| 5 | 06502697 | 2 | | | | | | | NUT, Hex Flange Lock, M12x1.75 |
| 6 | 06503119 | 4 | | | | EL0, EM0 | | | SCREW AND WASHER, Hex Head, M10x1.5x40 |
| 7 | | | | | | | | | BRACKET, Sill |
| | 52058009 | 1 | | | | EL0, EM0 | | | Left |
| | 52058014 | 1 | | | | EL0, EM0 | | | Right |
| 8 | 06504794AA | 2 | | | | EL0, EM0 | | | STUD, Double Ended, M10x1.5x59 |
| 9 | 06101448 | 2 | | | | EL0, EM0 | | | NUT AND WASHER, Hex Nut-Coned Washer, M10 x 1.5 |
| 10 | 06030713 | 3 | | | | EL0, EM0 | | | SCREW AND WASHER, Hex Head, .437-14x1.625 Grade 8 |
| 11 | 06502560 | 2 | | | | EL0, EM0 | | | BOLT, Hex Flange Pilot Point, M12x1.75 x 95 |
| 12 | 06502557 | 2 | | | | | | | BOLT, Hex Flange Head, M12x1.75x40 |

GRAND CHEROKEE (ZJ)

SERIES LINE
 L = LOWLINE T = JEEP - 2WD
 J = JEEP - 4WD

BODY
 74 = SPORT UTILITY 4-DR

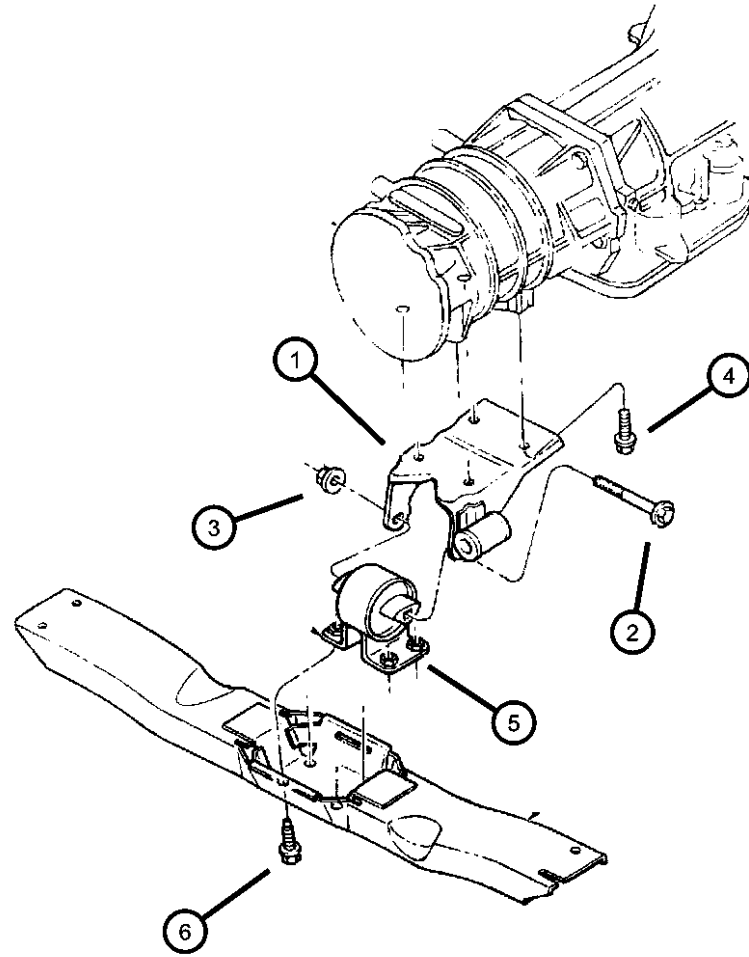
ENGINE
 ELF = 5.2L V8 MPI Engine
 EML = 5.9L V8 MPI Engine
 ERH = 4.0L Power Tech I-6 Engine

TRANSMISSION
 DGK = 4-Spd. Automatic 42RE Transmission
 DGW = 4-Spd. Automatic 4RE Transmission
 DG0 = Transmissions - All Automatic

AR = use ase required - = Non illustrated part

Engine Mounting, Rear
Figure 9-160

| ITEM | PART NUMBER | QTY | LINE | SERIES | BODY | ENGINE | TRANS | TRIM | DESCRIPTION |
|------|-------------|-----|------|--------|------|----------|-------|------|--|
| 1 | 52058784 | 1 | J | | | EL0, EM0 | DGW | | BRACKET, Transmission Mount |
| 2 | 06504553 | 1 | | | | | | | SCREW, Oval Head, SCREW |
| 3 | 06502697 | 1 | | | | | | | NUT, Hex Flange Lock, M12x1.75 |
| 4 | | | | | | | | | SCREW AND WASHER, Hex Head Locking, .437-14x1.25 |
| | 06033358 | 4 | J | | | EL0, EM0 | DGW | | |
| | | 4 | J | | | ER0 | DGK | | |
| 5 | 52058488 | 1 | J | | | EL0, EM0 | DGW | | SUPPORT, Transmission |
| 6 | 52058488 | 1 | | | | | | | SCREW, M10x1.50x35.00, (NOT SERVICED) |



GRAND CHEROKEE (ZJ)

SERIES LINE
L = LOWLINE T = JEEP - 2WD
 J = JEEP - 4WD

BODY
74 = SPORT UTILITY 4-DR

ENGINE
ELF = 5.2L V8 MPI Engine
EML = 5.9L V8 MPI Engine
ERH = 4.0L Power Tech I-6 Engine

TRANSMISSION
DGK = 4-Spd. Automatic 42RE Transmission
DGW = 4-Spd. Automatic 4RE Transmission
DG0 = Transmissions - All Automatic

AR = use ase required - = Non illustrated part

Group - 4.0L

Engine 4.0L Six Cylinder

Group - 4.0L Engine 4.0L Six Cylinder

Illustration Title

Group-Fig. No.

Cylinder Head

Cylinder Head Fig. 4.0L - 210

Cylinder Block

Cylinder Block Fig. 4.0L - 310

Crankshaft, Piston and Torque Converter

Crankshaft, Piston and Torque Converter Fig. 4.0L - 410

Camshafts & Valves

Camshaft and Valves Fig. 4.0L - 510

Timing Belt and Cover

Timing Gear and Cover Fig. 4.0L - 610

Engine Oiling

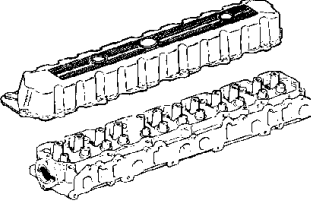
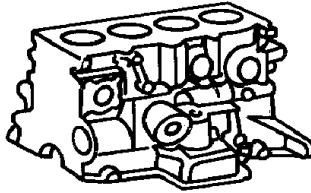
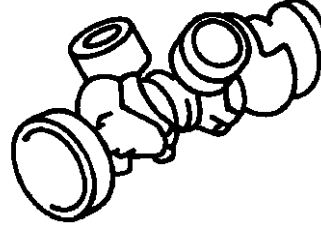
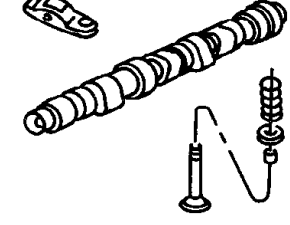
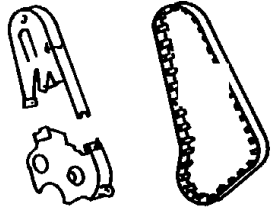
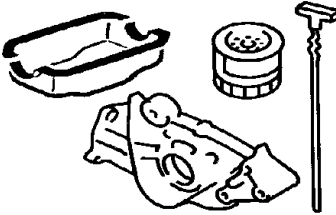
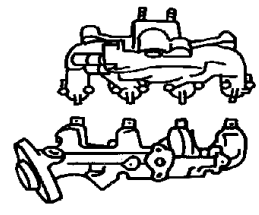
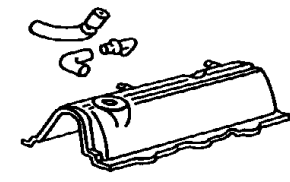
Engine Oiling Fig. 4.0L - 710

Manifolds

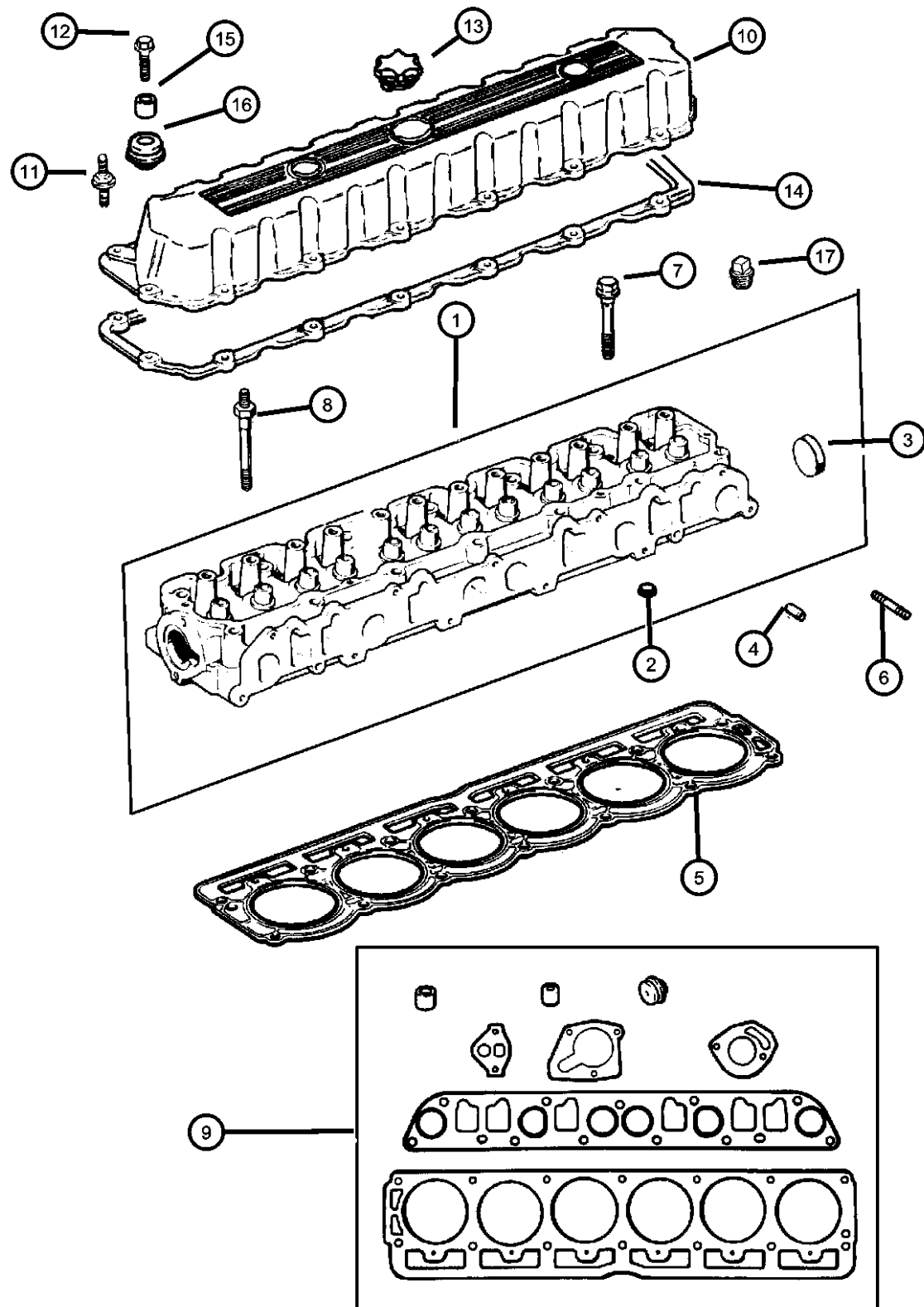
Manifold, Intake and Exhaust Fig. 4.0L - 810

Crankcase Ventilation

Crankcase Ventilation Fig. 4.0L - 910

| | | | |
|---|---|---|---|
| <p>4.0L-200 Cylinder Head</p>  | <p>4.0L-300 Cylinder Block</p>  | <p>4.0L-400 Crankshaft, Piston and Torque Converter</p>  | <p>4.0L-500 Camshafts & Valves</p>  |
| <p>4.0L-600 Timing Belt and Cover</p>  | <p>4.0L-700 Engine Oiling</p>  | <p>4.0L-800 Manifolds</p>  | <p>4.0L-900 Crankcase Ventilation</p>  |

**Cylinder Head
Figure 4.0L-210**



| ITEM | PART NUMBER | QTY | LINE | SERIES | BODY | ENGINE | TRANS | TRIM | DESCRIPTION |
|------|-------------|-----|------|--------|------|--------|-------|------|---|
| 1 | 53020622 | 1 | | | | ER0 | | | HEAD, Cylinder |
| | R5640469 | | | | | | | | Mopar Remanufactured Part |
| 2 | J4007434 | 4 | | | | ER0 | | | PLUG, Cylinder Block Oil Hole |
| 3 | J3105394 | 1 | | | | ER0 | | | PLUG, Cylinder Block Oil Hole |
| 4 | J3172318 | 2 | | | | ER0 | | | DOWEL, Cylinder Head To Intake |
| 5 | 53020754 | 1 | | | | ER0 | | | GASKET, Cylinder Head |
| 6 | 53010165 | 2 | | | | ER0 | | | STUD, .375-16/.375-24x1.75 |
| 7 | | | | | | | | | BOLT, Cylinder Head |
| | 06035514 | 5 | | | | ER0 | | | w/o Dome Head, .500-13-3.750 |
| | 06035515 | 2 | | | | ER0 | | | w/Dome Head, .500-13-3.750 |
| 8 | 06035516 | 7 | | | | ER0 | | | STUD, Double Ended, .50-13/.437-14x6.00 |
| 9 | 04636982 | 1 | | | | ER0 | DG0 | | GASKET PACKAGE, Engine Upper |
| 10 | 53020323 | 1 | | | | ER0 | | | COVER, Cylinder Head |
| 11 | 06035968AA | 7 | | | | ER0 | | | STUD, .250-20x2.00 |
| 12 | 06035566 | 8 | | | | ER0 | | | BOLT, Hex Flange Head, .250-20x1.00 |
| 13 | 04777536 | 1 | | | | ER0 | | | CAP, Oil Filler |
| 14 | 53020758AB | 1 | | | | ER0 | | | GASKET, Valve Cover |
| 15 | 53020598 | 15 | | | | ER0 | | | SLEEVE, Torque Limiter |
| 16 | 53010424 | 15 | | | | ER0 | | | GROMMET, Insulator |
| 17 | 06035687 | 1 | | | | ER0 | | | PLUG, Pipe, .125-27x3.50 |

GRAND CHEROKEE (ZJ)

SERIES LINE
L = LOWLINE T = JEEP - 2WD
J = JEEP - 4WD

BODY
74 = SPORT UTILITY 4-DR

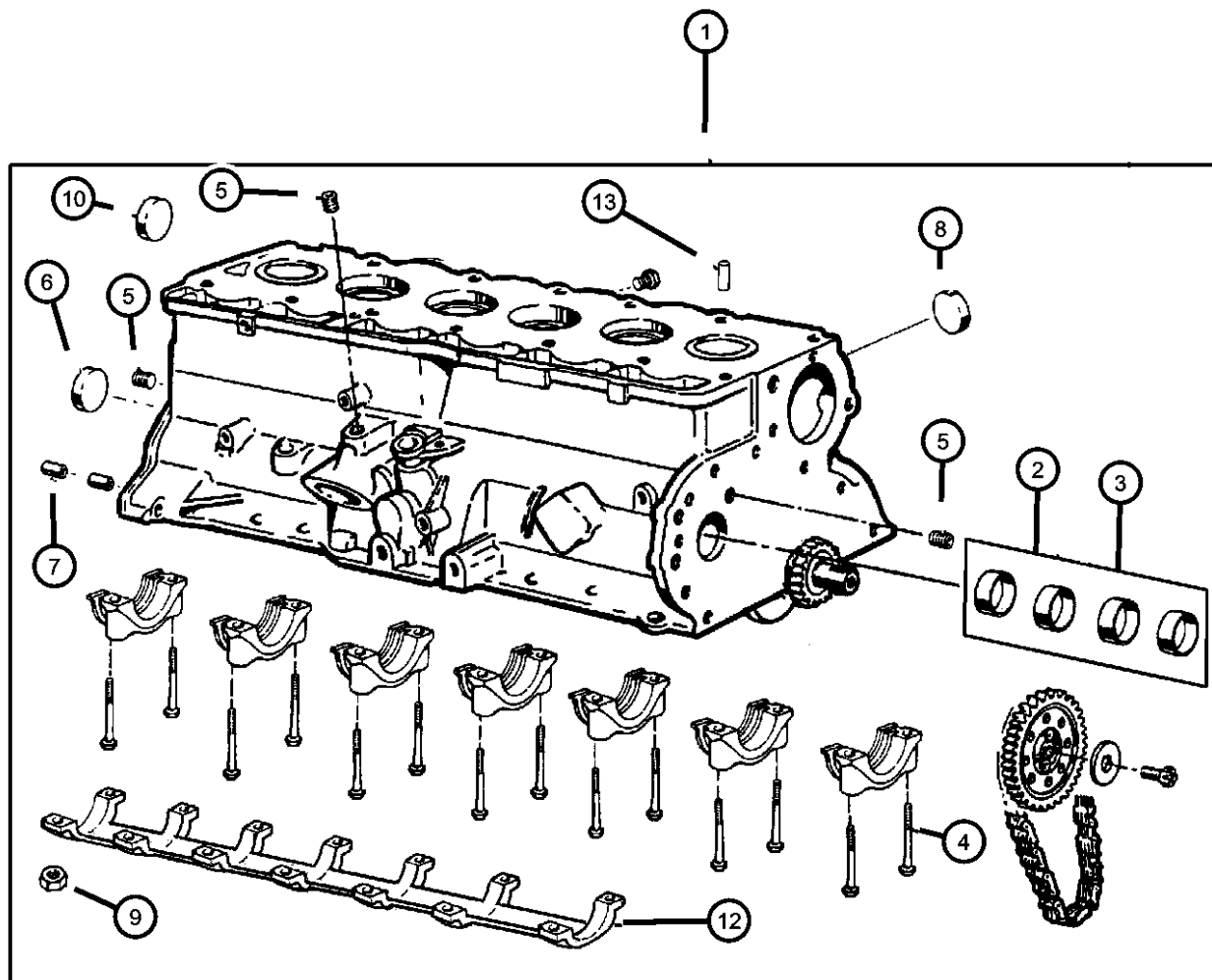
ENGINE
ELF = 5.2L V8 MPI Engine
EML = 5.9L V8 MPI Engine
ERH = 4.0L Power Tech I-6 Engine

TRANSMISSION
DGK = 4-Spd. Automatic 42RE Transmission
DGW = 4-Spd. Automatic 4RE Transmission
DG0 = Transmissions - All Automatic

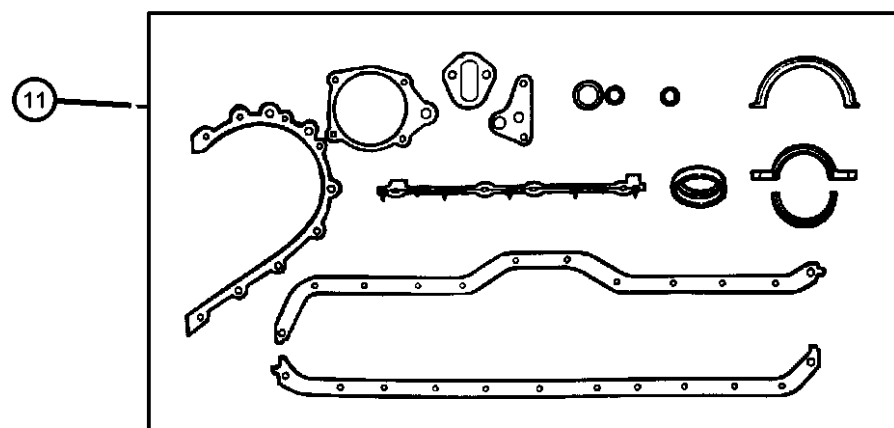
AR = use ase required - = Non illustrated part

1997 ZJ

**Cylinder Block
Figure 4.0L-310**



| ITEM | PART NUMBER | QTY | LINE | SERIES | BODY | ENGINE | TRANS | TRIM | DESCRIPTION |
|------|--------------------------------------|-----|------|--------|------|--------|-------|------|--|
| 1 | 04883025 R9640421AA R2640469AB | 1 | | | | ER0 | | | BLOCK, Short Mopar Remanufactured Short Block Mopar Remanufactured Long Block w/ Head(s) |
| 2 | J3205711 | 1 | | | | ER0 | | | BEARING KIT, Camshaft, Standard |
| 3 | J3208985 | 1 | | | | ER0 | | | BEARING KIT, Camshaft, .010 Oversize |
| 4 | 06035207 | 14 | | | | ER0 | | | STUD, .500-13/.375-16x3.97 |
| 5 | 06034166 | 4 | | | | ER0 | | | PLUG, Cylinder Block Oil Hole |
| 6 | J3172313 | 1 | | | | ER0 | | | PLUG, Camshaft |
| 7 | J4005148 | 2 | | | | ER0 | | | DOWEL, Transmission |
| 8 | J3105394 | 6 | | | | ER0 | | | PLUG, Cylinder Block Oil Hole |
| 9 | 00152474 | 14 | | | | ER0 | | | NUT, Hex Flange Lock, .375-16 |
| 10 | 53020465 | 1 | | | | ER0 | | | PLUG, Cylinder Block |
| 11 | 04740008 | 1 | | | | ER0 | DG0 | | GASKET PACKAGE, Engine Lower |
| 12 | 53020566 | 1 | | | | ER0 | | | BRACE, Main Bearing Cap |
| 13 | 00141215 | 2 | | | | ER0 | | | DOWEL, .312 x .500 |



GRAND CHEROKEE (ZJ)

SERIES LINE
L = LOWLINE T = JEEP - 2WD
J = JEEP - 4WD

BODY
74 = SPORT UTILITY 4-DR

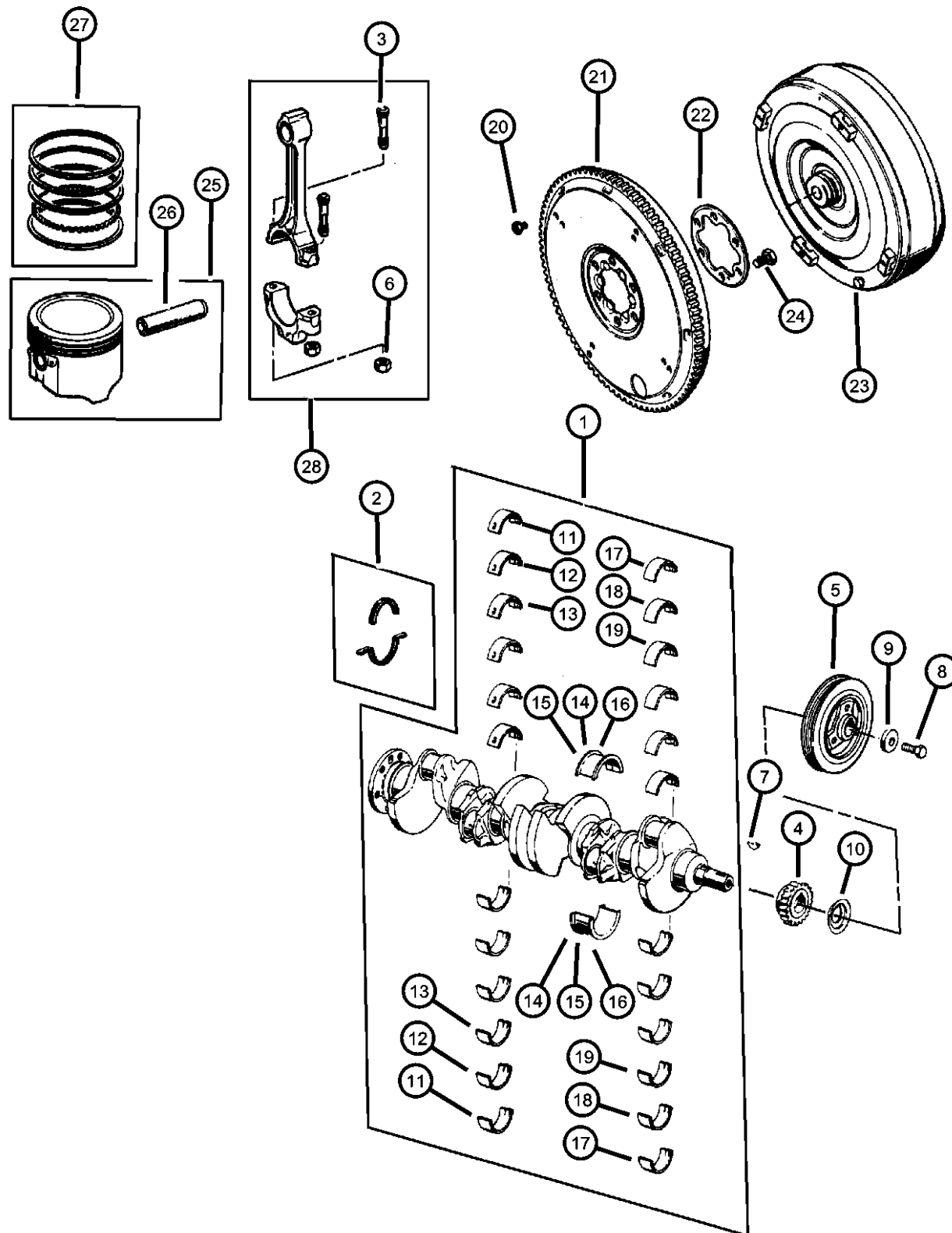
ENGINE
ELF = 5.2L V8 MPI Engine
EML = 5.9L V8 MPI Engine
ERH = 4.0L Power Tech I-6 Engine

TRANSMISSION
DGK = 4-Spd. Automatic 42RE
Transmission
DGW = 4-Spd. Automatic 4RE
Transmission
DG0 = Transmissions - All Automatic

AR = use ase required - = Non illustrated part

1997 ZJ

Crankshaft, Piston and Torque Converter
Figure 4.0L-410



| ITEM | PART NUMBER | QTY | LINE | SERIES | BODY | ENGINE | TRANS | TRIM | DESCRIPTION |
|------|-------------|-----|------|--------|------|--------|-------|------|---|
| 1 | 04864726 | 1 | | | | ER0 | DG0 | | CRANKSHAFT |
| 2 | 04778126 | 1 | | | | ER0 | | | SEAL PACKAGE, Crankshaft |
| 3 | 53020123 | 12 | | | | ER0 | | | BOLT, Connecting Rod |
| 4 | 53020443 | 1 | | | | ER0 | | | GEAR, Crankshaft |
| 5 | 33002920 | 1 | | | | ER0 | | | DAMPER, Crankshaft |
| 6 | J4006385 | 12 | | | | ER0 | | | NUT, Hex Flange, .3437-24 |
| 7 | 06034749 | 1 | | | | ER0 | | | KEY, Crankshaft Sprocket |
| 8 | 06029736 | 1 | | | | ER0 | | | BOLT, Hex Head, .50-20 x 1.25 |
| 9 | J3230155 | 1 | | | | ER0 | | | WASHER, Plain |
| 10 | J3173076 | 1 | | | | ER0 | | | SLINGER, Oil |
| 11 | 83507079 | 6 | | | | ER0 | | | BEARING PACKAGE, Crankshaft, Standard |
| 12 | 83507080 | AR | | | | ER0 | | | BEARING PACKAGE, Crankshaft, .001 Undersize |
| 13 | 83507083 | AR | | | | ER0 | | | BEARING PACKAGE, Crankshaft, .010 Undersize |
| 14 | 83507084 | 1 | | | | ER0 | | | BEARING PACKAGE, Crankshaft Thrust, Standard Size |
| 15 | 83507086 | AR | | | | ER0 | | | BEARING PACKAGE, Crankshaft Thrust, .001" Undersize |
| 16 | 83507090 | AR | | | | ER0 | | | BEARING PACKAGE, Crankshaft Thrust, .010" Undersize |
| 17 | 83500300 | 12 | | | | ER0 | | | BEARING KIT, Connecting Rod, Standard |
| 18 | 83501397 | AR | | | | ER0 | | | BEARING KIT, Connecting Rod, .001 Undersize |
| 19 | 83500301 | AR | | | | ER0 | | | BEARING KIT, Connecting Rod, .010 Undersize |
| 20 | 01949765 | 4 | | | | | DG0 | | SCREW, Hex Head Header Point, .312-24x.44 |
| 21 | 52118257 | 1 | | | | ER0 | DG0 | | PLATE, Drive Plate |
| 22 | J3214094 | 1 | | | | ER0 | DG0 | | PLATE, Drive Plate Backing |
| 23 | 04736596 | 1 | | | | ER0 | DG0 | | TORQUE CONVERTER |
| | R4736596 | | | | | | | | Mopar Remanufactured Part |
| 24 | J3151407 | 6 | | | | ER0 | DG0 | | BOLT, Hex Head, .50-20x.56 |
| 25 | | | | | | | | | PISTON PIN AND ROD |
| | 04798329 | AR | | | | ER0 | | | B Size, 3.8742 |
| | 04798330 | AR | | | | ER0 | | | C Size, 3.8746 |
| | 04798331 | AR | | | | ER0 | | | D Size, 3.8750 |
| | 04798332 | AR | | | | ER0 | | | E Size, 3.8754 |

GRAND CHEROKEE (ZJ)

SERIES LINE
L = LOWLINE T = JEEP - 2WD
 J = JEEP - 4WD

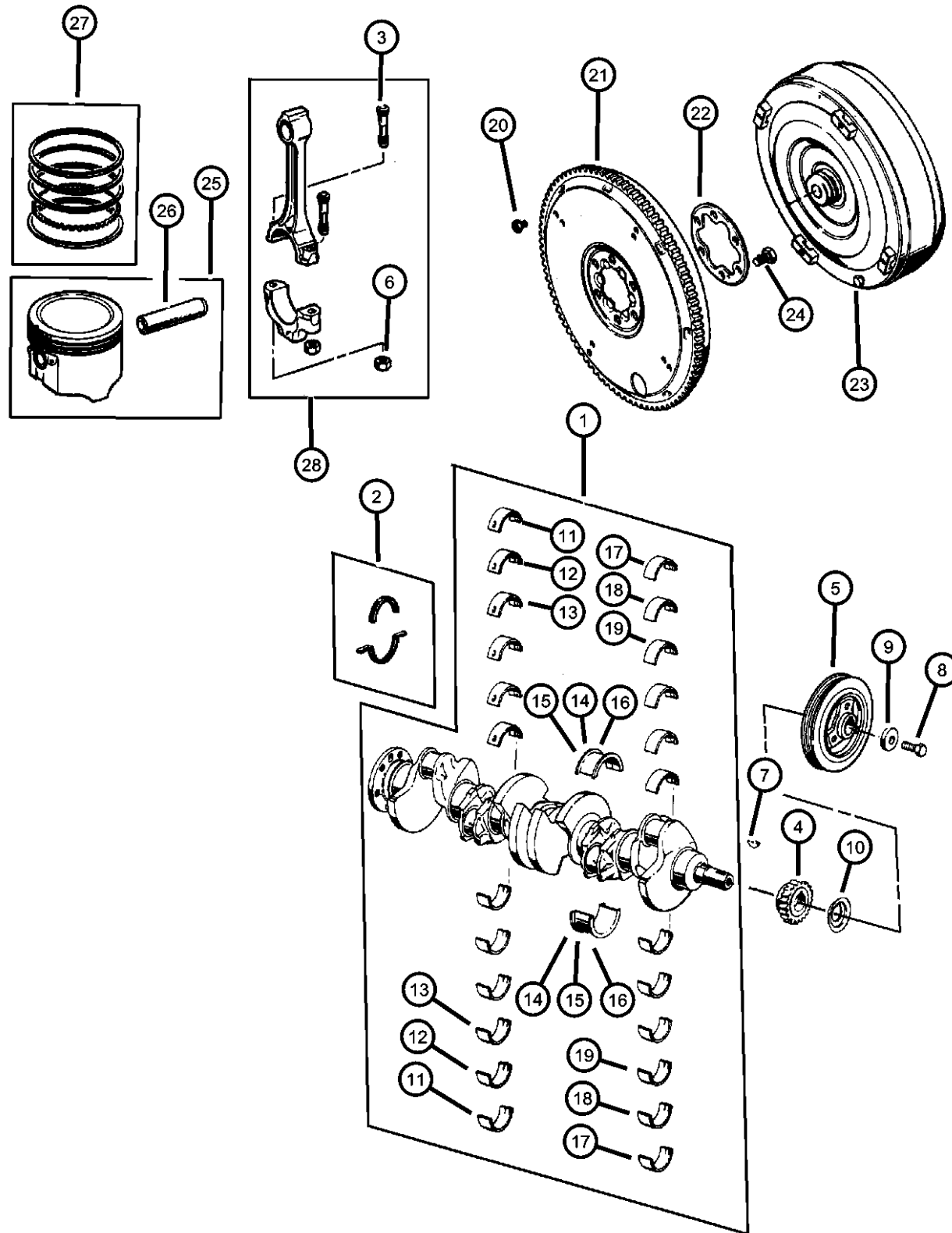
BODY
74 = SPORT UTILITY 4-DR

ENGINE
ELF = 5.2L V8 MPI Engine
EML = 5.9L V8 MPI Engine
ERH = 4.0L Power Tech I-6 Engine

TRANSMISSION
DGK = 4-Spd. Automatic 42RE Transmission
DGW = 4-Spd. Automatic 4RE Transmission
DG0 = Transmissions - All Automatic

AR = use ase required - = Non illustrated part

**Crankshaft, Piston and Torque Converter
Figure 4.0L-410**



| ITEM | PART NUMBER | QTY | LINE | SERIES | BODY | ENGINE | TRANS | TRIM | DESCRIPTION |
|------|-------------|-----|------|--------|------|--------|-------|------|---|
| | 04798333 | AR | | | | ER0 | | | F Size, 3.875842 |
| 26 | 04798333 | AR | | | | | | | PIN, Piston, Serviced in Piston, (NOT SERVICED), |
| 27 | 04798878 | 1 | | | | ER0 | DG0 | | RING PACKAGE, Piston, Standard Size Complete Engine |
| 28 | 04798878 | 1 | | | | | | | ROD, Connecting, Serviced in Piston, (NOT SERVICED) |

GRAND CHEROKEE (ZJ)

SERIES LINE
 L = LOWLINE T = JEEP - 2WD
 J = JEEP - 4WD

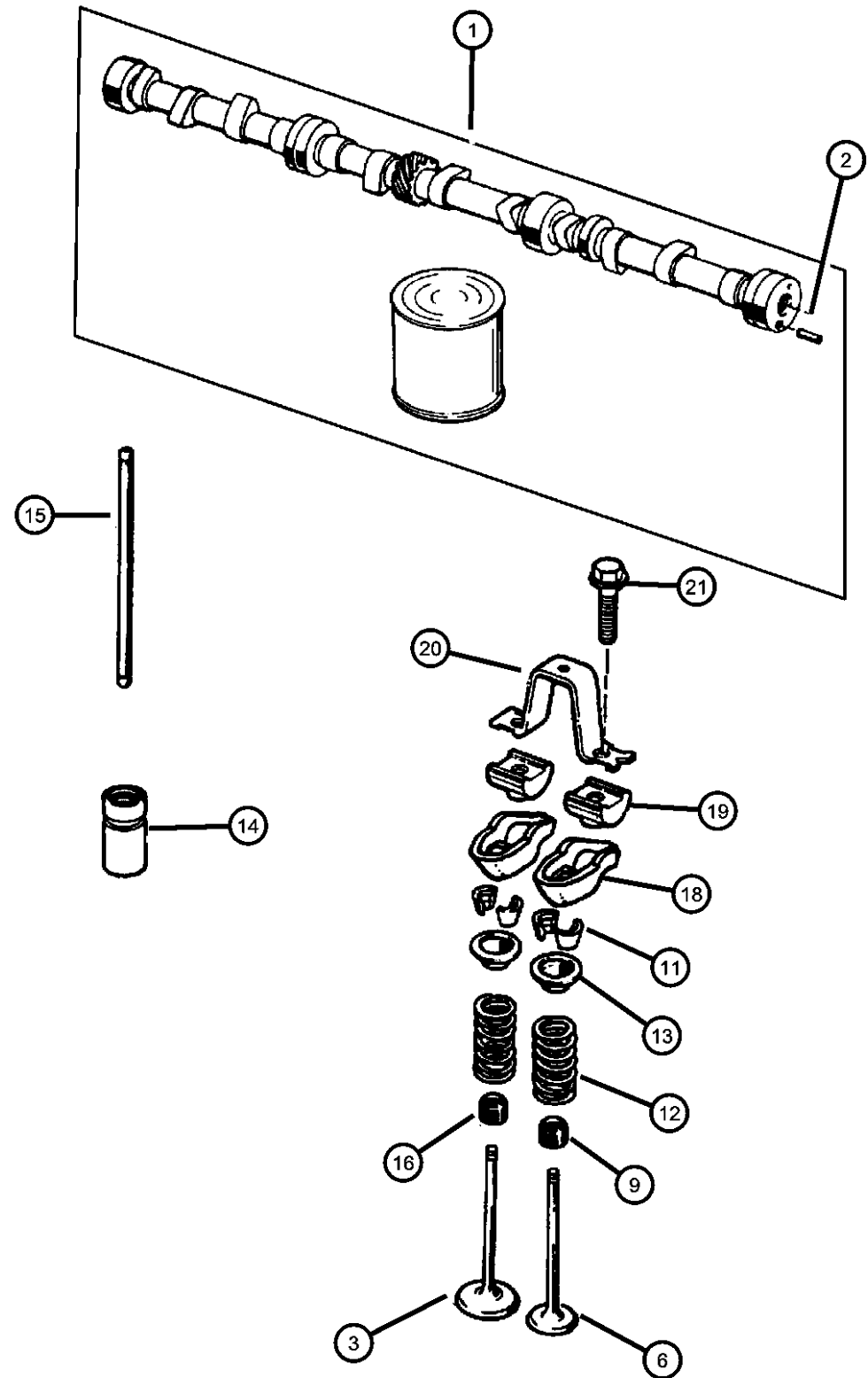
BODY
 74 = SPORT UTILITY 4-DR

ENGINE
 ELF = 5.2L V8 MPI Engine
 EML = 5.9L V8 MPI Engine
 ERH = 4.0L Power Tech I-6 Engine

TRANSMISSION
 DGK = 4-Spd. Automatic 42RE Transmission
 DGW = 4-Spd. Automatic 4RE Transmission
 DG0 = Transmissions - All Automatic

AR = use ase required - = Non illustrated part

Camshaft and Valves
Figure 4.0L-510



| ITEM | PART NUMBER | QTY | LINE | SERIES | BODY | ENGINE | TRANS | TRIM | DESCRIPTION |
|------|-------------|-----|------|--------|------|--------|-------|------|-------------------------------------|
| 1 | 53020438 | 1 | | | | ER0 | | | CAMSHAFT, Engine |
| 2 | J0456384 | 1 | | | | ER0 | | | DOWEL, Camshaft Sprocket |
| 3 | 33003515 | 6 | | | | ER0 | | | VALVE, Intake, Standard |
| -4 | 33003519 | AR | | | | ER0 | | | VALVE, Intake, .003" O/S |
| -5 | 33003575 | AR | | | | ER0 | | | VALVE, Intake, .015" O/S |
| 6 | 04637537 | 6 | | | | ER0 | | | VALVE, Exhaust, Standard |
| -7 | 04637539 | AR | | | | ER0 | | | VALVE, Exhaust, .003" O/S |
| -8 | 04637538 | AR | | | | ER0 | | | VALVE, Exhaust, .015 Oversize |
| 9 | 53009887 | 6 | | | | ER0 | | | SEAL, Valve Guide |
| -10 | 33002733 | AR | | | | ER0 | | | SEAL, Valve Guide, .015" Oversize |
| 11 | 33003521 | 24 | | | | ER0 | | | LOCK, Valve Spring Retainer |
| 12 | 53020556 | 12 | | | | ER0 | | | SPRING, Valve |
| 13 | 33004626 | 12 | | | | ER0 | | | RETAINER, Valve Spring |
| 14 | 04740269 | 12 | | | | ER0 | | | TAPPET, Valve |
| 15 | 33002986 | 12 | | | | ER0 | | | PUSH ROD, Valve |
| 16 | 53009886 | 6 | | | | ER0 | | | SEAL, Valve Guide |
| -17 | 33003016 | AR | | | | ER0 | | | SEAL, Valve Guide, .015" Oversize |
| 18 | J3242393 | 12 | | | | ER0 | | | ROCKER ARM, Valve |
| 19 | J3235090 | 12 | | | | ER0 | | | PIVOT, Rocker Arm |
| 20 | J3236513 | 6 | | | | ER0 | | | BRIDGE, Rocker Arm |
| 21 | J9425708 | 12 | | | | ER0 | | | BOLT, Hex Flange Head, .312-18x1.25 |

GRAND CHEROKEE (ZJ)

SERIES LINE
L = LOWLINE T = JEEP - 2WD
J = JEEP - 4WD

BODY
74 = SPORT UTILITY 4-DR

ENGINE
ELF = 5.2L V8 MPI Engine
EML = 5.9L V8 MPI Engine
ERH = 4.0L Power Tech I-6 Engine

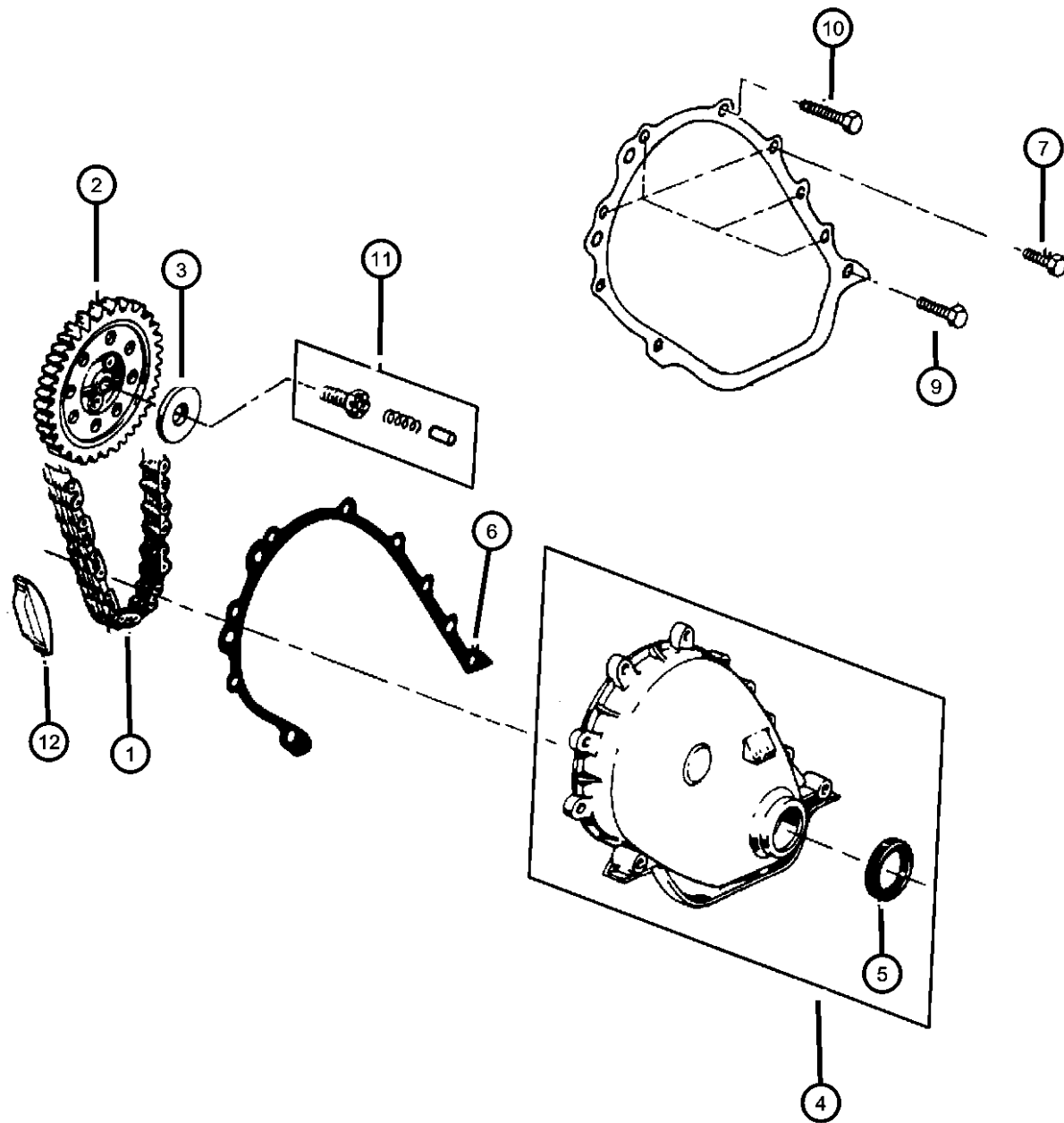
TRANSMISSION
DGK = 4-Spd. Automatic 42RE Transmission
DGW = 4-Spd. Automatic 4RE Transmission
DG0 = Transmissions - All Automatic

AR = use ase required - = Non illustrated part

1997 ZJ

**Timing Gear and Cover
Figure 4.0L-610**

| ITEM | PART NUMBER | QTY | LINE | SERIES | BODY | ENGINE | TRANS | TRIM | DESCRIPTION |
|------|-------------|-----|------|--------|------|--------|-------|------|---------------------------------------|
| -1 | 05189874AA | 1 | | | | ER0 | | | CHAIN PACKAGE, Timing |
| 2 | 53020444 | 1 | | | | ER0 | | | CHAIN, Timing |
| 3 | 53020445 | 1 | | | | ER0 | | | GEAR, Camshaft |
| 4 | J3173284 | 1 | | | | ER0 | | | WASHER, Flat, .206 Diameter |
| 5 | 53020222 | 1 | | | | ER0 | | | COVER, Timing Belt |
| 6 | 33004681 | 1 | | | | ER0 | | | SEAL, Front Main Crankshaft |
| 7 | 53020487 | 1 | | | | ER0 | | | GASKET, Front Cover |
| 8 | J4006906 | 5 | | | | ER0 | | | BOLT, Hex Head, .25-20x.75 |
| -9 | 06034604 | 2 | | | | ER0 | | | BOLT, Hex Head Shoulder, .312-18x1.56 |
| 10 | 06034914 | 1 | | | | ER0 | | | BOLT, Hex Flange Head, .250-20x1.24 |
| 11 | 06034604 | 2 | | | | ER0 | | | BOLT, Hex Head Shoulder, .312-18x1.56 |
| 12 | 83502890 | 1 | | | | ER0 | | | PIN PACKAGE, Camshaft Thrust |
| 13 | 33003446 | 1 | | | | ER0 | | | SNUBBER, Timing Chain |



GRAND CHEROKEE (ZJ)

SERIES LINE
L = LOWLINE T = JEEP - 2WD
 J = JEEP - 4WD

BODY
74 = SPORT UTILITY 4-DR

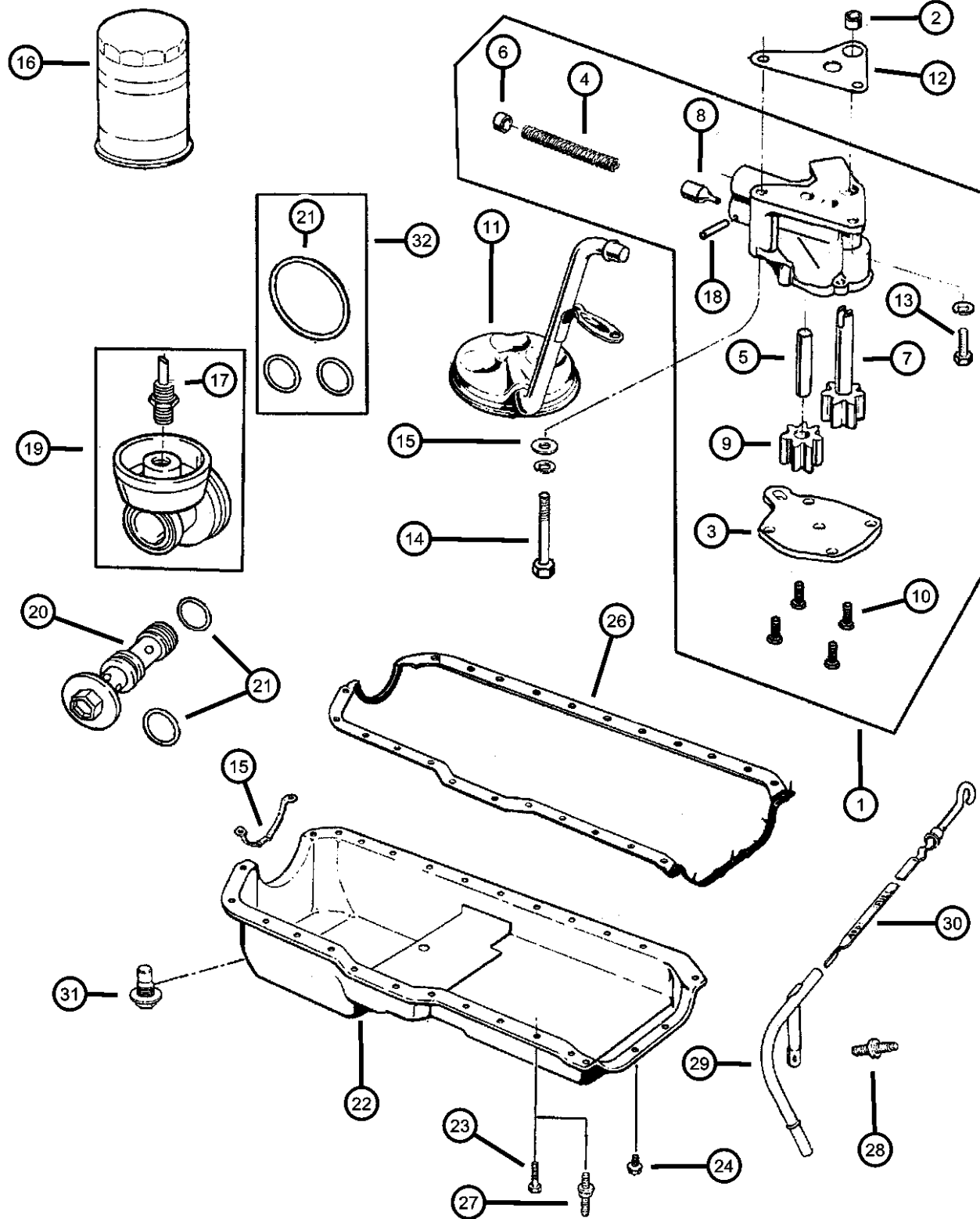
ENGINE
ELF = 5.2L V8 MPI Engine
EML = 5.9L V8 MPI Engine
ERH = 4.0L Power Tech I-6 Engine

TRANSMISSION
DGK = 4-Spd. Automatic 42RE Transmission
DGW = 4-Spd. Automatic 4RE Transmission
DG0 = Transmissions - All Automatic

AR = use ase required - = Non illustrated part

1997 ZJ

Engine Oiling
Figure 4.0L-710



| ITEM | PART NUMBER | QTY | LINE | SERIES | BODY | ENGINE | TRANS | TRIM | DESCRIPTION |
|------|-------------|-----|------|--------|------|--------|-------|------|---|
| 1 | J3241399 | 1 | | | | ER0 | | | PUMP, Engine Oil |
| 2 | J4005149 | 1 | | | | ER0 | | | DOWEL, Oil Pump |
| 3 | J3241733 | 1 | | | | ER0 | | | COVER, Engine Oil Pump |
| 4 | J3239668 | 1 | | | | ER0 | | | SPRING, Oil Pressure Relief Valve |
| 5 | J3171956 | 1 | | | | ER0 | | | SHAFT, Oil Pump |
| 6 | J3171958 | 1 | | | | ER0 | | | RETAINER, Oil Release Valve |
| 7 | J3172334 | 1 | | | | ER0 | | | GEAR, Oil Pump |
| 8 | J3188661 | 1 | | | | ER0 | | | PLUNGER, Oil Pressure Relief Valve |
| 9 | J3196843 | 1 | | | | ER0 | | | GEAR, Oil Pump Driven |
| 10 | J9416852 | 4 | | | | ER0 | | | SCREW, Hex Flange Head, .25-20x.50 |
| 11 | 33002696 | 1 | | | | ER0 | | | TUBE, Oil Pump Inlet |
| 12 | J3172332 | 1 | | | | ER0 | | | GASKET, Oil Pump |
| 13 | 06022235 | 1 | | | | ER0 | | | BOLT AND WASHER, Hex Head, .312-18x1.00 |
| 14 | 00154593 | 1 | | | | ER0 | | | SCREW, Hex Head Coned, .312-18x2.625 |
| 15 | J3243116 | 1 | | | | ER0 | | | SUPPORT, Engine Oil Pan |
| 16 | 05281090 | 1 | | | | ER0 | | | FILTER, Engine Oil |
| | 0FE00292 | | | | | | | | Canadian Aftermarket Part |
| | 05281090BA | | | | | | | | BULK PACK (12) |
| | 77060018 | | | | | | | | Performance Mobil 1, 15W - 50 Tri-Synthetic Engine Oil-Recommended Fill for 6.1L & 8.3L |
| | P5007323 | | | | | | | | Performance Mobil 1, 5W - 30 Tri-Synthetic Engine Oil, Quart |
| 17 | 53007563 | 1 | | | | ER0 | | | CONNECTOR, Oil Filter |
| 18 | J0271448 | 1 | | | | ER0 | | | PIN, Roll, 5/32" x 1.00" |
| 19 | 53020080 | 1 | | | | ER0 | | | ADAPTER, Oil Filter |
| 20 | 53020237 | 1 | | | | ER0 | | | BOLT, Oil Filter Adapter |
| 21 | 33002972 | 1 | | | | ER0 | | | O RING, Oil Filter Adapter |
| 22 | 53020833 | 1 | | | | ER0 | | | PAN, Engine Oil |
| 23 | 06034732 | 16 | | | | ER0 | | | SCREW AND WASHER, Hex Head, .25-20x.545 |
| 24 | 06034483 | 3 | | | | ER0 | | | SCREW, Hex Head Coned, .312-18x.875 |
| -25 | 06034733 | 1 | | | | ER0 | | | STUD, .312-18/.250-20x1.680 |
| 26 | 53007568 | 1 | | | | ER0 | | | GASKET, Oil Pan |

GRAND CHEROKEE (ZJ)

SERIES LINE
L = LOWLINE T = JEEP - 2WD
J = JEEP - 4WD

BODY
74 = SPORT UTILITY 4-DR

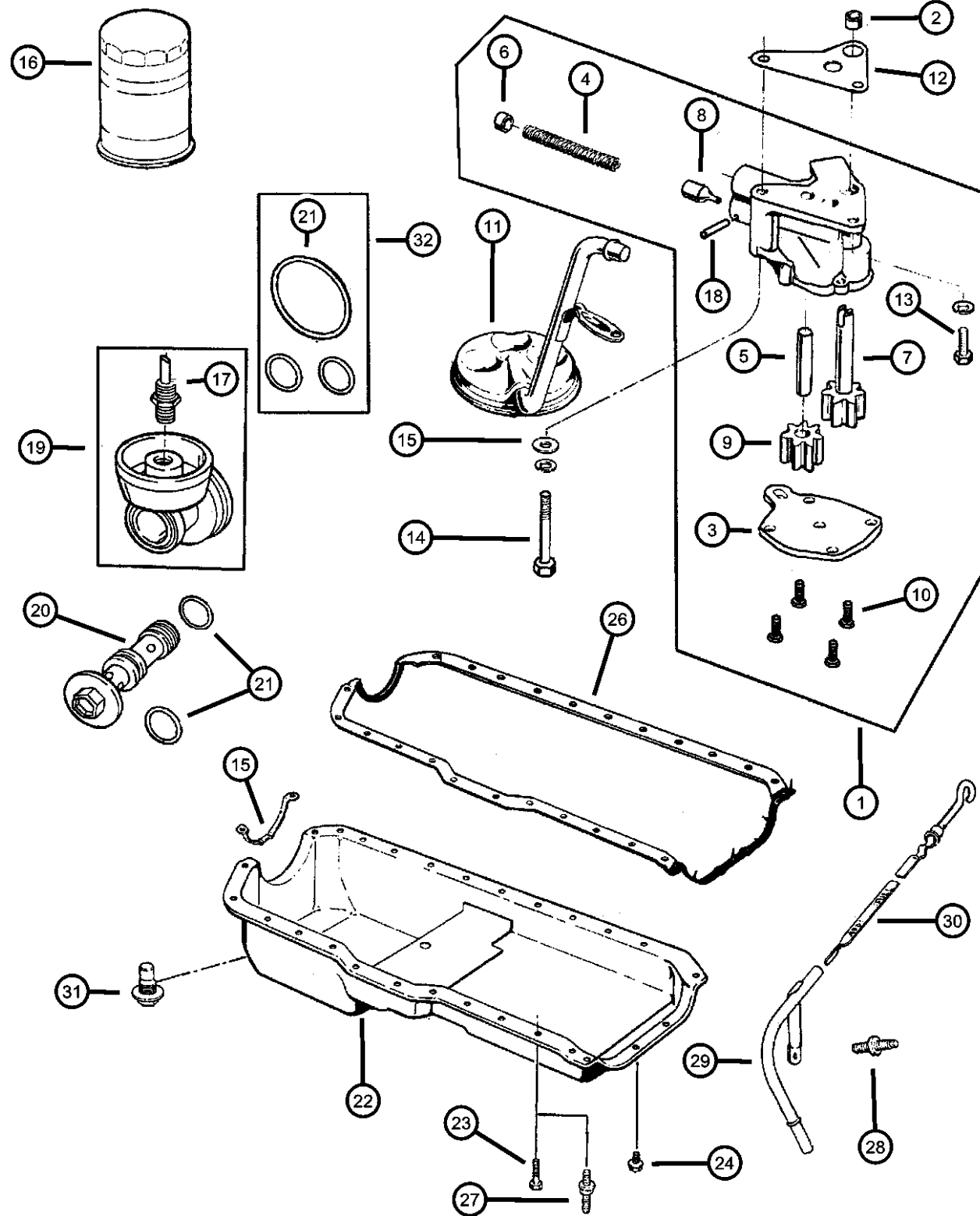
ENGINE
ELF = 5.2L V8 MPI Engine
EML = 5.9L V8 MPI Engine
ERH = 4.0L Power Tech I-6 Engine

TRANSMISSION
DGK = 4-Spd. Automatic 42RE Transmission
DGW = 4-Spd. Automatic 4RE Transmission
DG0 = Transmissions - All Automatic

AR = use ase required - = Non illustrated part

1997 ZJ

Engine Oiling
Figure 4.0L-710



| ITEM | PART NUMBER | QTY | LINE | SERIES | BODY | ENGINE | TRANS | TRIM | DESCRIPTION |
|------|-------------|-----|------|--------|------|--------|-------|------|--|
| 27 | 06034734 | 8 | | | | ER0 | | | BOLT, Double Stud Hex, .250-20x1.437 & .250-20 x.700 |
| 28 | 06035664 | 1 | | | | ER0 | | | STUD, .312-18x1.560 |
| 29 | 53020782 | 1 | | | | ER0 | | | TUBE, Oil Filler |
| 30 | 53010445 | 1 | | | | ER0 | | | INDICATOR, Engine Oil Level |
| 31 | 06035417 | 1 | | | | ER0 | | | PLUG, Oil Drain, w/Gasket |
| 32 | 04720363 | 1 | | | | ER0 | | | SEAL PACKAGE, Oil Filter Adapter |

GRAND CHEROKEE (ZJ)

SERIES LINE
L = LOWLINE T = JEEP - 2WD
J = JEEP - 4WD

BODY
74 = SPORT UTILITY 4-DR

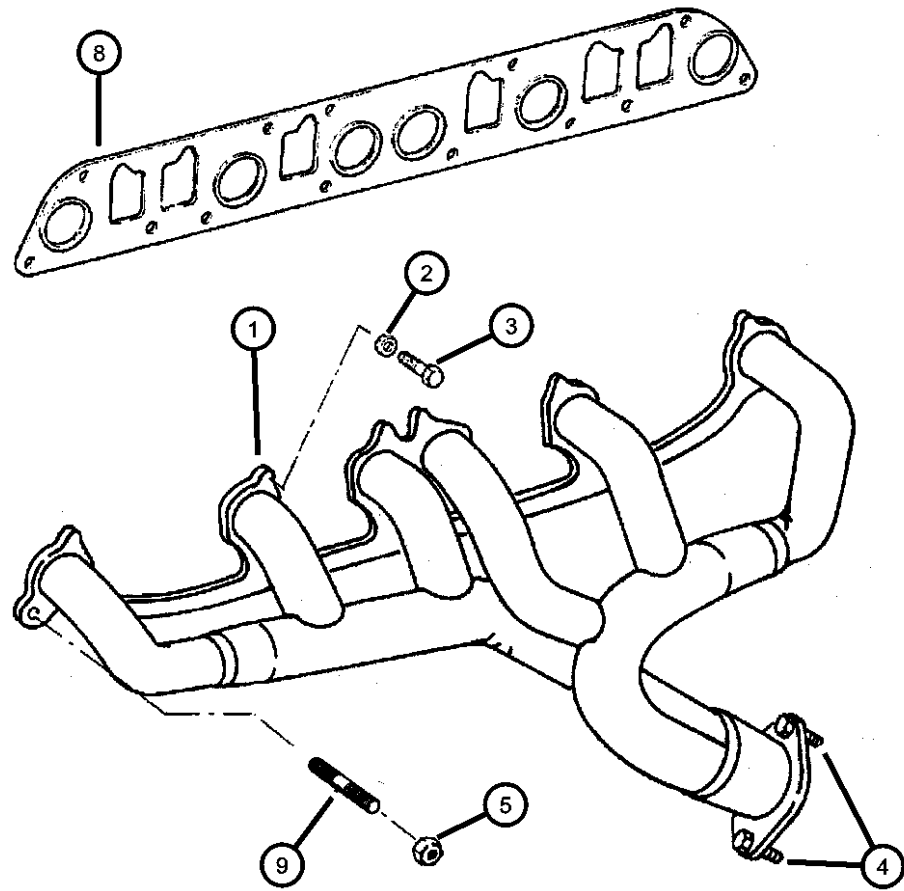
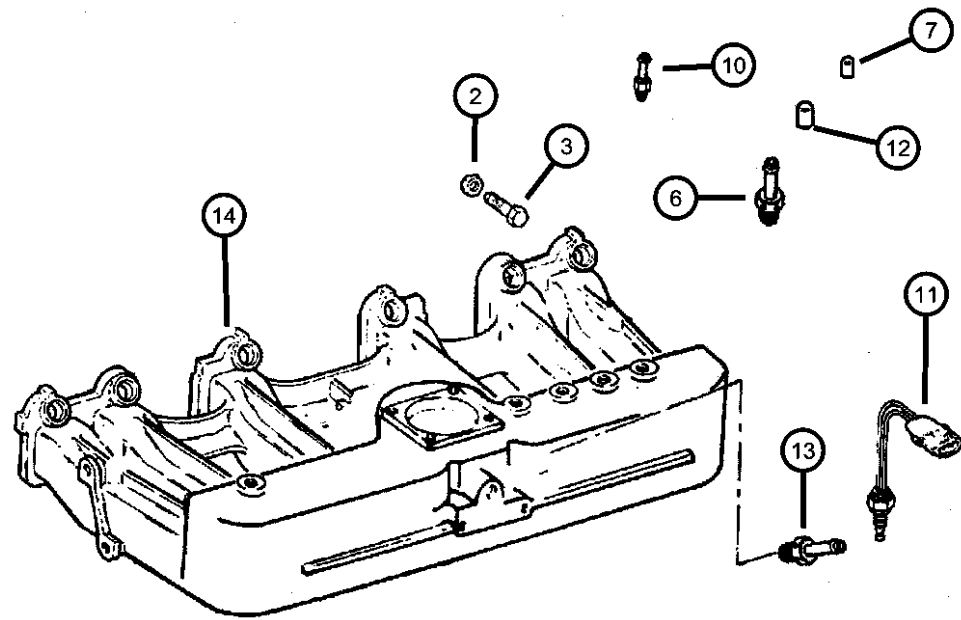
ENGINE
ELF = 5.2L V8 MPI Engine
EML = 5.9L V8 MPI Engine
ERH = 4.0L Power Tech I-6 Engine

TRANSMISSION
DGK = 4-Spd. Automatic 42RE Transmission
DGW = 4-Spd. Automatic 4RE Transmission
DG0 = Transmissions - All Automatic

AR = use ase required - = Non illustrated part

1997 ZJ

**Manifold, Intake and Exhaust
Figure 4.0L-810**



| ITEM | PART NUMBER | QTY | LINE | SERIES | BODY | ENGINE | TRANS | TRIM | DESCRIPTION |
|------|-------------|-----|------|--------|------|--------|-------|------|---------------------------------|
| 1 | 04883385 | 1 | | | | ER0 | | | MANIFOLD, Exhaust |
| 2 | 33004255 | 11 | | | | ER0 | | | WASHER, Manifold Retaining |
| 3 | J0186622 | 8 | | | | ER0 | | | BOLT, Hex Head, .375-16x1.25 |
| 4 | J4007109 | 2 | | | | ER0 | | | STUD, .375-16x1.69 |
| 5 | 06034984 | 2 | | | | ER0 | | | NUT, Hex Flange Lock, .375-24 |
| 6 | 53020027 | 1 | | | | ER0 | | | FITTING, Vacuum |
| 7 | 03580171 | 1 | | | | ER0 | | | CAP, Brake Check Valve |
| 8 | 53010238 | 1 | | | | ER0 | | | GASKET, Intake/Exhaust Manifold |
| 9 | 53010165 | 2 | | | | ER0 | | | STUD, .375-16/.375-24x1.75 |
| 10 | 53030756 | 1 | | | | ER0 | | | FITTING, Vacuum, 90 Degree |
| 11 | 56027872 | 1 | | | | ER0 | | | SENSOR, Air Temperature |
| 12 | 03580172 | 1 | | | | ER0 | | | CAP, Vacuum |
| 13 | 04854194 | 1 | | | | ER0 | | | FITTING, Vacuum |
| 14 | 53010237 | 1 | | | | ER0 | | | MANIFOLD, Intake |

GRAND CHEROKEE (ZJ)

SERIES LINE
 L = LOWLINE T = JEEP - 2WD
 J = JEEP - 4WD

BODY
 74 = SPORT UTILITY 4-DR

ENGINE
 ELF = 5.2L V8 MPI Engine
 EML = 5.9L V8 MPI Engine
 ERH = 4.0L Power Tech I-6 Engine

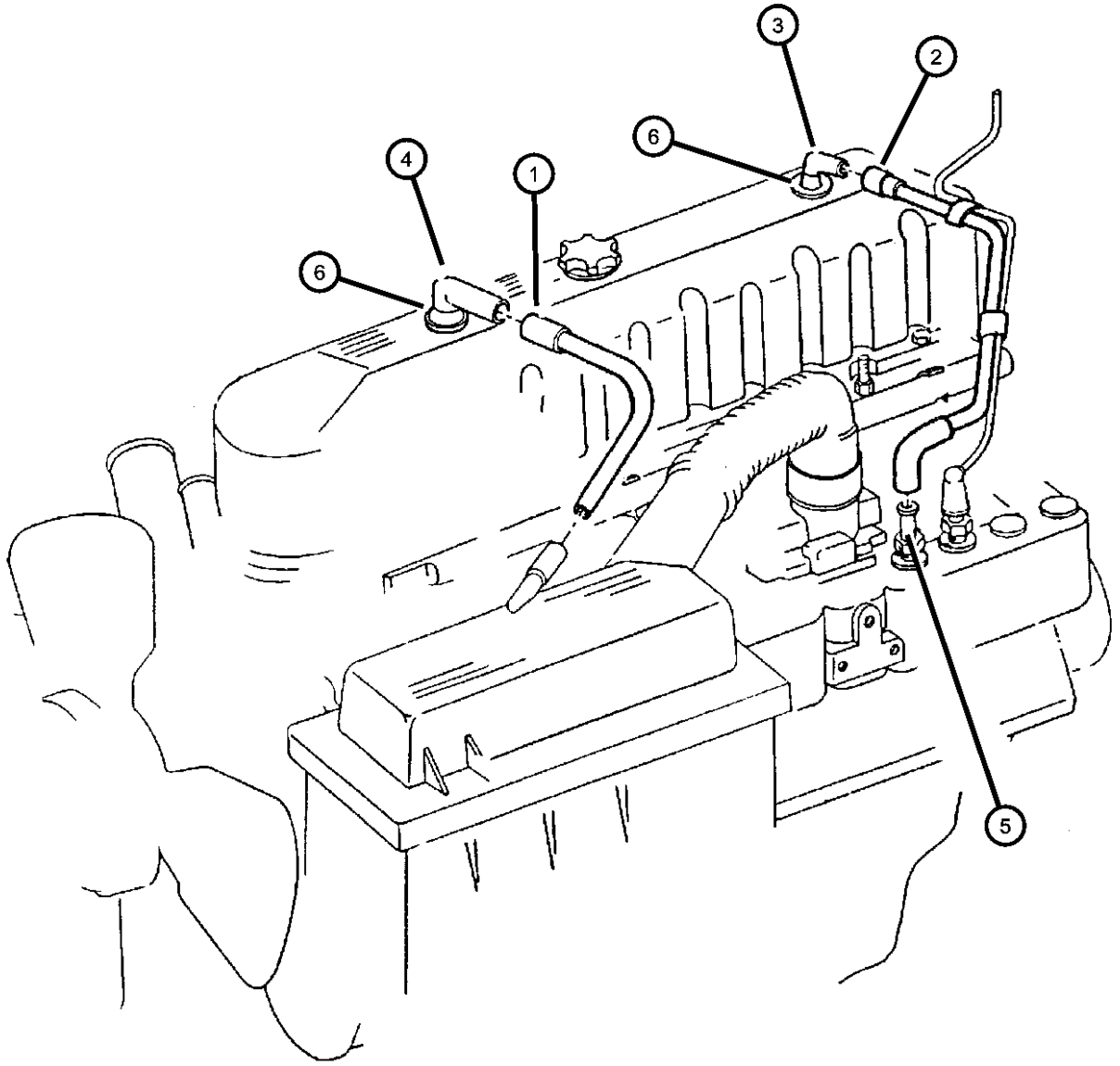
TRANSMISSION
 DGK = 4-Spd. Automatic 42RE Transmission
 DGW = 4-Spd. Automatic 4RE Transmission
 DG0 = Transmissions - All Automatic

AR = use ase required - = Non illustrated part

1997 ZJ

**Crankcase Ventilation
Figure 4.0L-910**

| ITEM | PART NUMBER | QTY | LINE | SERIES | BODY | ENGINE | TRANS | TRIM | DESCRIPTION |
|------|-------------|-----|------|--------|------|--------|-------|------|--|
| 1 | 53032031 | 1 | | | | ER0 | | | TUBE, Crankcase Vent To Air Cleaner |
| 2 | 04854265 | 1 | | | | ER0 | | | TUBE, Crankcase Vent To Intake Manifold |
| 3 | 53030495 | 1 | | | | ER0 | | | TUBE, Crankcase Vent To Air Cleaner, w/Orifice |
| 4 | 53030497 | 1 | | | | ER0 | | | FITTING, Crankcase Vent Tube, w/o Orifice |
| 5 | 53020027 | 1 | | | | ER0 | | | FITTING, Vacuum |
| 6 | 02946079 | 2 | | | | ER0 | | | GROMMET, Crankcase Vent |



GRAND CHEROKEE (ZJ)

| | | | | |
|-------------|----------------------------------|-------------------------|--|--|
| SERIES | LINE | BODY | ENGINE | TRANSMISSION |
| L = LOWLINE | T = JEEP - 2WD J = JEEP - 4WD | 74 = SPORT UTILITY 4-DR | ELF = 5.2L V8 MPI Engine EML = 5.9L V8 MPI Engine ERH = 4.0L Power Tech I-6 Engine | DGK = 4-Spd. Automatic 42RE Transmission DGW = 4-Spd. Automatic 4RE Transmission DG0 = Transmissions - All Automatic |

AR = use ase required - = Non illustrated part

Group - 5.2L

Engine 5.2L Eight Cylinder

Group - 5.2L Engine 5.2L Eight Cylinder

Illustration Title

Group-Fig. No.

Cylinder Head

Cylinder Head Fig. 5.2L - 210

Cylinder Block

Cylinder Block Fig. 5.2L - 310

Crankshaft, Piston and Torque Converter

Crankshaft, Piston and Torque Converter Fig. 5.2L - 410

Camshafts & Valves

Camshaft and Valves Fig. 5.2L - 510

Timing Belt and Cover

Timing Gear and Cover Fig. 5.2L - 610

Engine Oiling

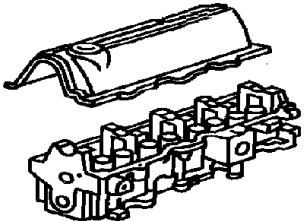
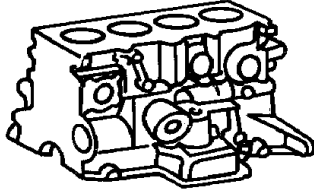
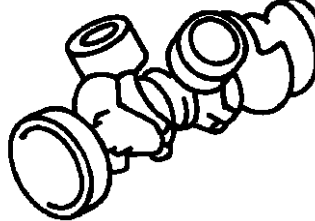
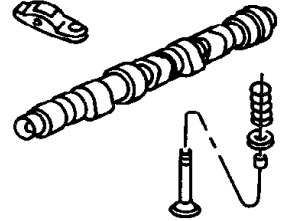
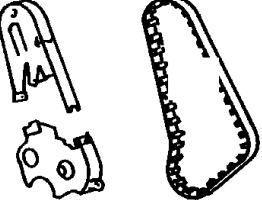
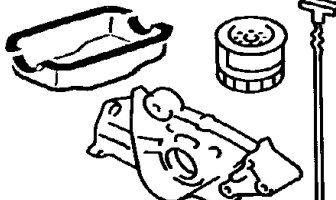
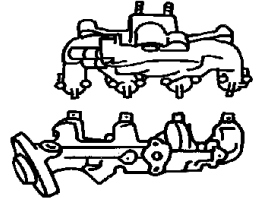
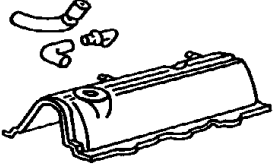
Engine Oiling Fig. 5.2L - 710

Manifolds

Manifold, Intake and Exhaust Fig. 5.2L - 810

Crankcase Ventilation

Crankcase Ventilation Fig. 5.2L - 910

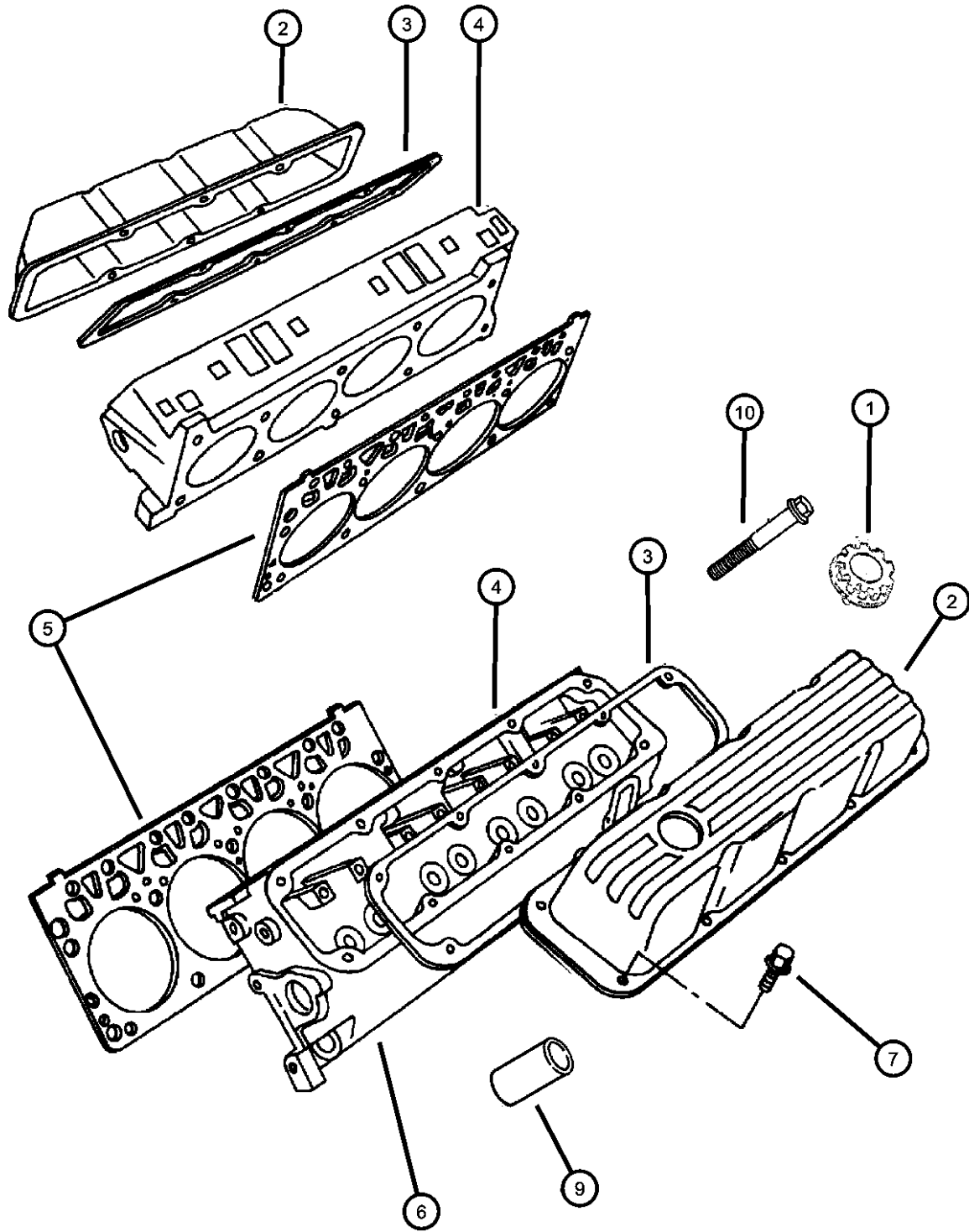
| | | | |
|---|---|---|---|
| <p>5.2L-200 Cylinder Head</p>  | <p>5.2L-300 Cylinder Block</p>  | <p>5.2L-400 Crankshaft, Piston and Torque Converter</p>  | <p>5.2L-500 Camshafts & Valves</p>  |
| <p>5.2L-600 Timing Belt and Cover</p>  | <p>5.2L-700 Engine Oiling</p>  | <p>5.2L-800 Manifolds</p>  | <p>5.2L-900 Crankcase Ventilation</p>  |

**Cylinder Head
Figure 5.2L-210**

| ITEM | PART NUMBER | QTY | LINE | SERIES | BODY | ENGINE | TRANS | TRIM | DESCRIPTION |
|------|-------------|-----|------|--------|------|--------|-------|------|-------------|
|------|-------------|-----|------|--------|------|--------|-------|------|-------------|

NOTE: Packages Do Not Contain Gaskets For All Required Sealing. R.T.V. Sealer And Gasket Eliminator Must Also Be Used.
GASKET PACKAGE, Engine Upper - 04897385AA

| | | | | | | | | | |
|----|------------|----|--|--|--|----------|--|--|--|
| 1 | 04777536 | 1 | | | | EL0, EM0 | | | CAP, Oil Filler |
| 2 | | | | | | | | | COVER, Cylinder Head |
| | 53020340AB | 1 | | | | EL0, EM0 | | | w/Oil Fill Hole |
| | 53020612AB | 1 | | | | EL0, EM0 | | | w/o Oil Fill Hole |
| 3 | 53006695 | 2 | | | | EL0, EM0 | | | GASKET, Valve Cover |
| 4 | 53021137 | 2 | | | | EM0 | | | HEAD, Cylinder |
| | R5852480 | | | | | | | | Mopar Reman For Corporate Warranty Use |
| 5 | 53020490 | 2 | | | | ELO | | | GASKET, Cylinder Head |
| 6 | 04556020 | 2 | | | | EM0 | | | PLUG, Core, 1.25 Diameter |
| 7 | 06035878AA | 12 | | | | EM0 | | | STUD |
| -8 | 06035877AA | 7 | | | | EM0 | | | SCREW AND WASHER, Hex Head, .25-20x.875 |
| 9 | 53020419 | 8 | | | | EL0, EM0 | | | SHIELD, Heat |
| 10 | | | | | | | | | BOLT, Cylinder Head |
| | 06034690 | 10 | | | | EL0, EM0 | | | .50-13x2.00 |
| | 06034691 | 10 | | | | EL0, EM0 | | | .50x4.625 |



GRAND CHEROKEE (ZJ)

SERIES LINE
L = LOWLINE T = JEEP - 2WD
J = JEEP - 4WD

BODY
74 = SPORT UTILITY 4-DR

ENGINE
ELF = 5.2L V8 MPI Engine
EML = 5.9L V8 MPI Engine
ERH = 4.0L Power Tech I-6
Engine

TRANSMISSION
DGK = 4-Spd. Automatic 42RE
Transmission
DGW = 4-Spd. Automatic 4RE
Transmission
DG0 = Transmissions - All Automatic

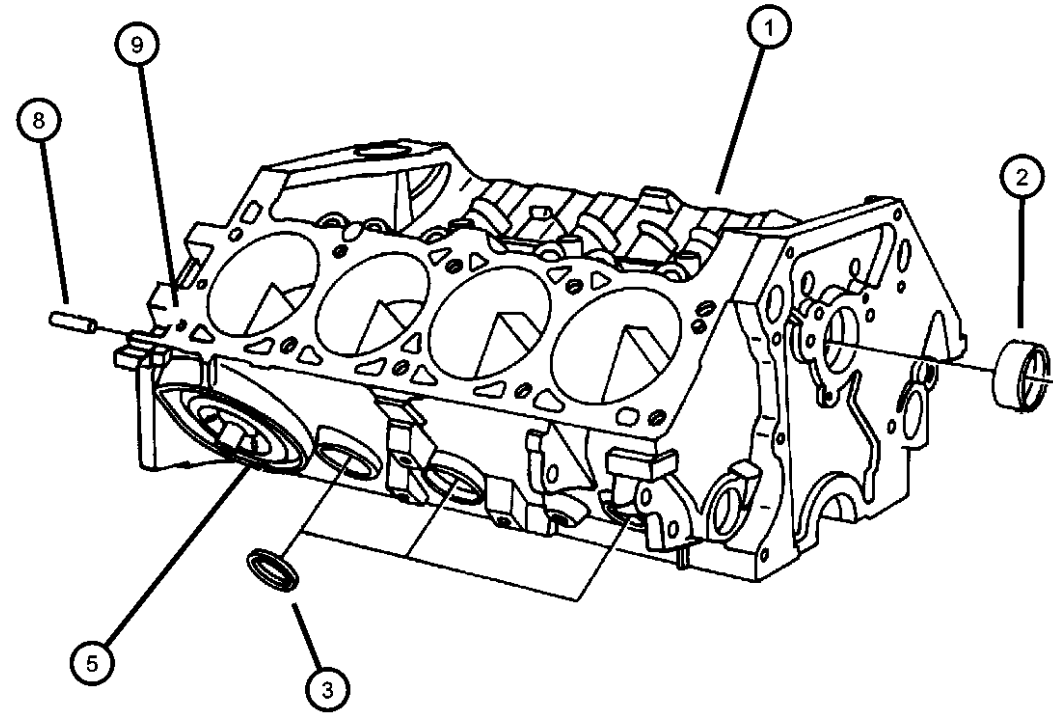
AR = use ase required - = Non illustrated part

1997 ZJ

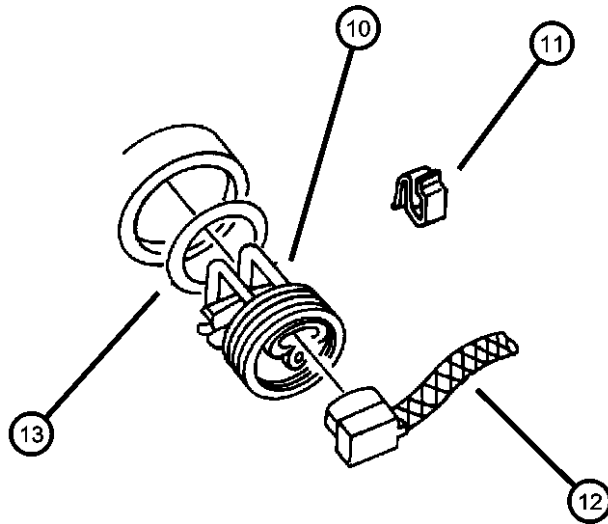
**Cylinder Block
Figure 5.2L-310**

| ITEM | PART NUMBER | QTY | LINE | SERIES | BODY | ENGINE | TRANS | TRIM | DESCRIPTION |
|------|-------------|-----|------|--------|------|--------|-------|------|-------------|
|------|-------------|-----|------|--------|------|--------|-------|------|-------------|

NOTE: Packages Do Not Contain Gaskets For All Required Sealing. R.T.V. Sealer And Gasket Eliminator Must Also Be Used.
GASKET PACKAGE, Engine Lower - 04720740



| | | | | | | | | | |
|----|--|---|--|--|--|----------|--|--|--|
| 1 | 04713602 R2852480 R9852422 04761845AC 04761839AB P5007324 | 1 | | | | EL0 | | | BLOCK, Short Mopar Remanufactured Long Block w/ Head(s) Mopar Remanufactured Short Block 1992 - 2002 Mopar 10W30 Engine Oil Gallon Mopar 10W30 Engine Oil Quart Performance Mobil 1, 10W - 30 Tri-Synthetic Engine Oil, Quart |
| 2 | 03830603 | 1 | | | | EL0 | | | BEARING, Camshaft, #1 |
| 3 | 04556020 | 1 | | | | EL0 | | | PLUG, Core, 1.25 Diameter |
| -4 | 04556022 | 9 | | | | EL0 | | | PLUG, Core, 1.625 Diameter |
| 5 | 03751818 | 2 | | | | EL0 | | | PLUG, Pipe |
| -6 | 53009518 | 1 | | | | EL0 | | | PLUG, Cylinder Block Oil Hole |
| -7 | 53009518 | 1 | | | | EL0 | | | PLUG, Cylinder Block Oil Hole, (NOT SERVICED) |
| 8 | 01122532 | 2 | | | | EL0 | | | DOWEL, Block To Clutch Housing |
| 9 | 00141215 | 4 | | | | EL0 | | | DOWEL, .312 x .500 |
| 10 | 04798276 | 1 | | | | EL0, EM0 | | | HEATER PACKAGE, Engine Block |
| 11 | 04798276 | 1 | | | | EL0, EM0 | | | CLIP, (NOT SERVICED) |
| 12 | 56027117 | 1 | | | | EL0, EM0 | | | CORD, Engine Block Heater |
| 13 | 06501446 | 1 | | | | EL0, EM0 | | | O RING, Engine Block Heater |



GRAND CHEROKEE (ZJ)

SERIES LINE
L = LOWLINE T = JEEP - 2WD
J = JEEP - 4WD

BODY
74 = SPORT UTILITY 4-DR

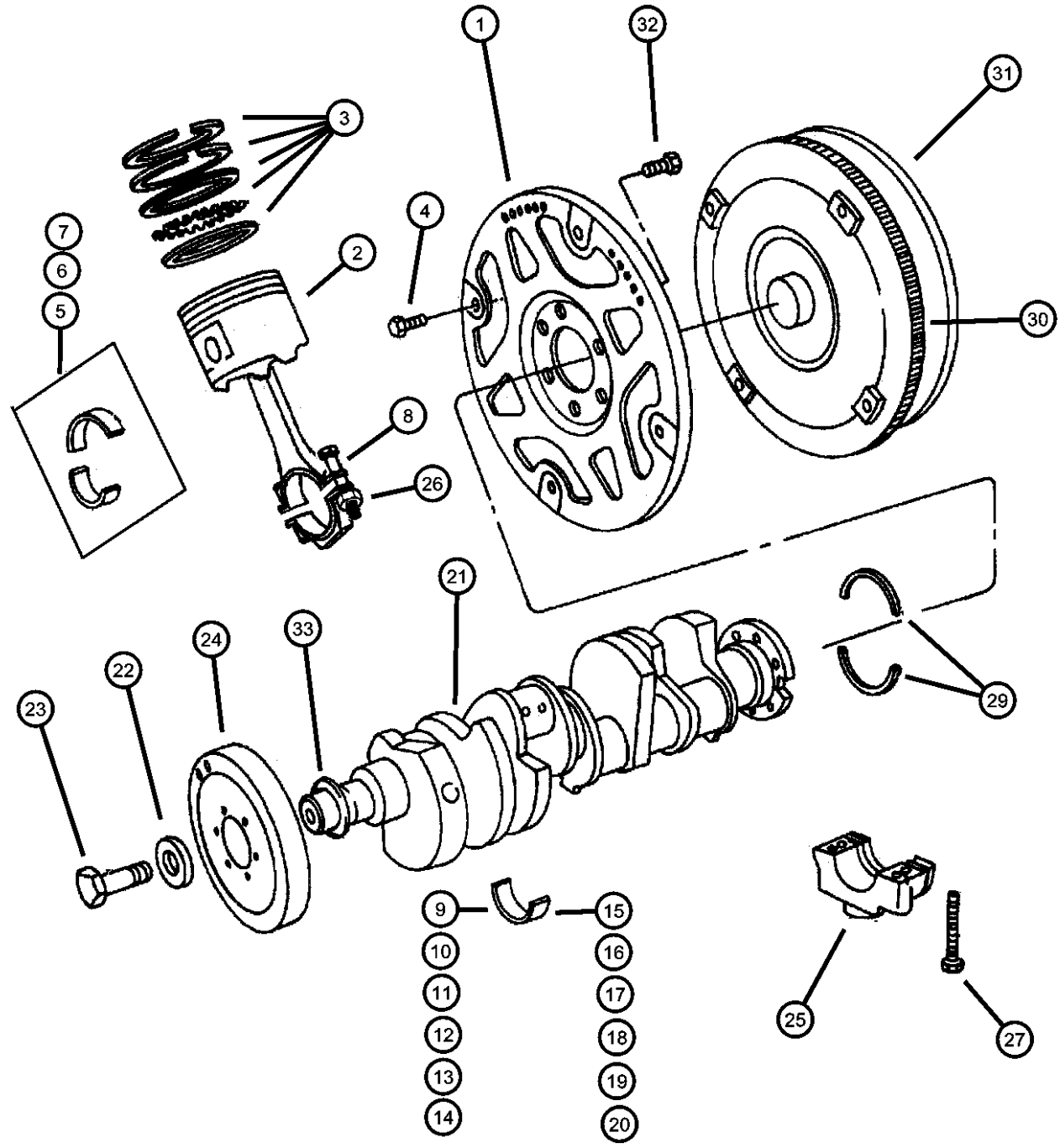
ENGINE
ELF = 5.2L V8 MPI Engine
EML = 5.9L V8 MPI Engine
ERH = 4.0L Power Tech I-6 Engine

TRANSMISSION
DGK = 4-Spd. Automatic 42RE
Transmission
DGW = 4-Spd. Automatic 4RE
Transmission
DG0 = Transmissions - All Automatic

AR = use ase required - = Non illustrated part

1997 ZJ

Crankshaft, Piston and Torque Converter
Figure 5.2L-410



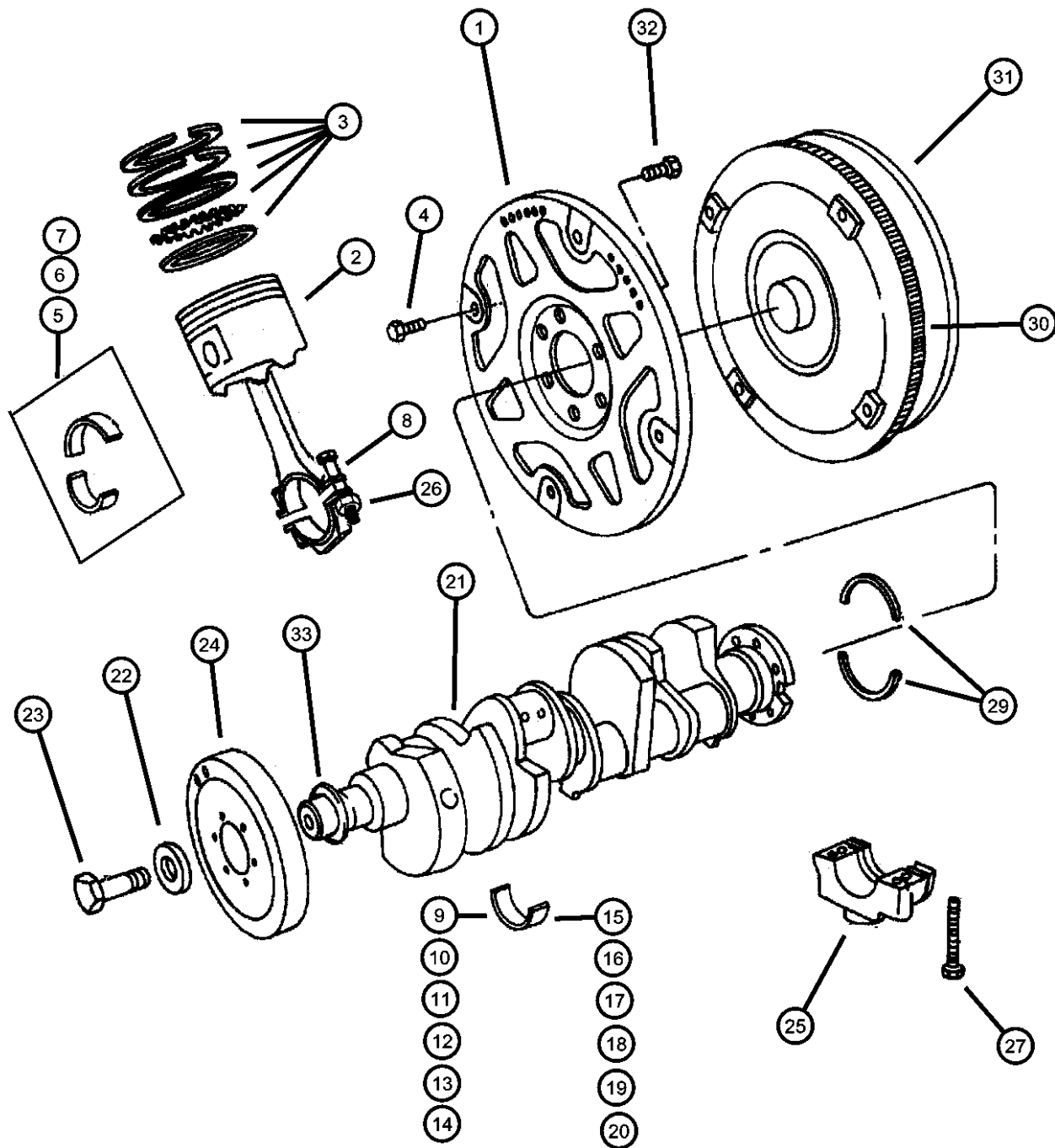
| ITEM | PART NUMBER | QTY | LINE | SERIES | BODY | ENGINE | TRANS | TRIM | DESCRIPTION |
|------|-------------|-----|------|--------|------|----------|-------|------|---|
| 1 | 52118255 | 1 | | | | ELO | DG0 | | PLATE, Torque Converter Drive |
| 2 | | | | | | | | | PISTON PIN AND ROD |
| | 04778855 | 4 | | | | ELO | | | #1,3,5,7 B Size, 3.90925 |
| | 04778856 | 4 | | | | ELO | | | #2,4,6,8 B Size, 3.90925 |
| | 04778857 | 4 | | | | ELO | | | #1,3,5,7 C Size, 3.90975 |
| | 04778858 | 4 | | | | ELO | | | #2,4,6,8 C Size, 3.90975 |
| | 04778859 | 4 | | | | ELO | | | #1,3,5,7 D Size, 3.91025 |
| | 04778860 | 4 | | | | ELO | | | #2,4,6,8 D Size, 3.91025 |
| 3 | 04720727 | 1 | | | | ELO | | | RING PACKAGE, Piston |
| 4 | 01949765 | 4 | | | | | DG0 | | SCREW, Hex Head Header Point, .312-24x.44 |
| 5 | 02421305 | 8 | | | | ELO | | | BEARING, Connecting Rod, STD. |
| 6 | 02421306 | AR | | | | ELO | | | BEARING, Connecting Rod, .001" U/S |
| 7 | 02421309 | AR | | | | ELO | | | BEARING, Connecting Rod, .010" U/S |
| 8 | 06033715 | 8 | | | | ELO | | | BOLT, Connecting Rod |
| 9 | 04397776 | 1 | | | | ELO | | | BEARING PACKAGE, Crankshaft, Standard Size, #1 |
| 10 | 04397780 | AR | | | | ELO | | | BEARING PACKAGE, Crankshaft, .001 Undersize, #1 |
| 11 | 04397792 | AR | | | | ELO | | | BEARING PACKAGE, Crankshaft, .010 Undersize, #1 |
| 12 | 04397777 | 2 | | | | ELO | | | BEARING PACKAGE, Crankshaft, Standard Size, #2,4 |
| 13 | 04397781 | AR | | | | ELO | | | BEARING PACKAGE, Crankshaft, .001 Undersize, #2,4 |
| 14 | 04397793 | AR | | | | ELO | | | BEARING PACKAGE, Crankshaft, .010 Undersize, #2,4 |
| 15 | 04720595 | 1 | | | | ELO | | | BEARING, Crankshaft, STD., #3 |
| 16 | 04720596 | AR | | | | ELO | | | BEARING PACKAGE, Crankshaft, .001 Undersize, #3 |
| 17 | 04720593 | 1 | | | | ELO | | | BEARING PACKAGE, Crankshaft, .010 Undersize, #3 |
| 18 | 04397701 | 1 | | | | ELO | | | BEARING PACKAGE, Crankshaft, Standard Size, #5 |
| 19 | 04397702 | AR | | | | ELO | | | BEARING PACKAGE, Crankshaft, .001 Undersize, #5 |
| 20 | 04397705 | 1 | | | | ELO | | | BEARING PACKAGE, Crankshaft, .010 Undersize, #5 |
| 21 | 53020603 | 1 | | | | ELO | DG0 | | CRANKSHAFT |
| 22 | 01855561 | 1 | | | | ELO, EMO | | | WASHER, Flat, .78x1.9x.250 |

GRAND CHEROKEE (ZJ)
 SERIES LINE BODY ENGINE TRANSMISSION
 L = LOWLINE T = JEEP - 2WD 74 = SPORT UTILITY 4-DR ELF = 5.2L V8 MPI Engine DGK = 4-Spd. Automatic 42RE
 J = JEEP - 4WD EML = 5.9L V8 MPI Engine Transmission
 ERH = 4.0L Power Tech I-6 Engine DGW = 4-Spd. Automatic 4RE
 Transmission
 DG0 = Transmissions - All Automatic

AR = use ase required - = Non illustrated part

Crankshaft, Piston and Torque Converter
Figure 5.2L-410

| ITEM | PART NUMBER | QTY | LINE | SERIES | BODY | ENGINE | TRANS | TRIM | DESCRIPTION |
|------|-------------|-----|------|--------|------|----------|-------|------|---|
| 23 | 01821414 | 1 | | | | ELO, EM0 | | | SCREW, Hex Head Header Point, .75-16x2.25 |
| 24 | 53020229 | 1 | | | | ELO | | | DAMPER, Crankshaft |
| 25 | 53020229 | 1 | | | | | | | CAP, Serviced in Block, (NOT SERVICED) |
| 26 | 06032296 | 8 | | | | ELO | | | NUT, Hex, .375-24 |
| 27 | 06027264 | 8 | | | | ELO | | | SCREW, Socket Hex Head, .50-13x3.25, #1,2,3 |
| -28 | 06033300 | 2 | | | | ELO | | | SCREW, Cap, .50-13x2.80, #4 |
| 29 | 04778228 | 1 | | | | ELO | | | SEAL PACKAGE, Crankshaft |
| 30 | 03515203 | 1 | | | | ELO, EM0 | DG0 | | GEAR, Ring |
| 31 | 04736599 | 1 | | | | ELO, EM0 | DG0 | | TORQUE CONVERTER Mopar Remanufactured Part |
| 32 | 01949424 | 6 | | | | ELO, EM0 | DG0 | | SCREW, Hex Head Header Point, .75-16x2.25 |
| 33 | 06035948AA | 1 | | | | ELO, EM0 | | | WASHER, Sealing |



GRAND CHEROKEE (ZJ)

SERIES LINE
 L = LOWLINE T = JEEP - 2WD
 J = JEEP - 4WD

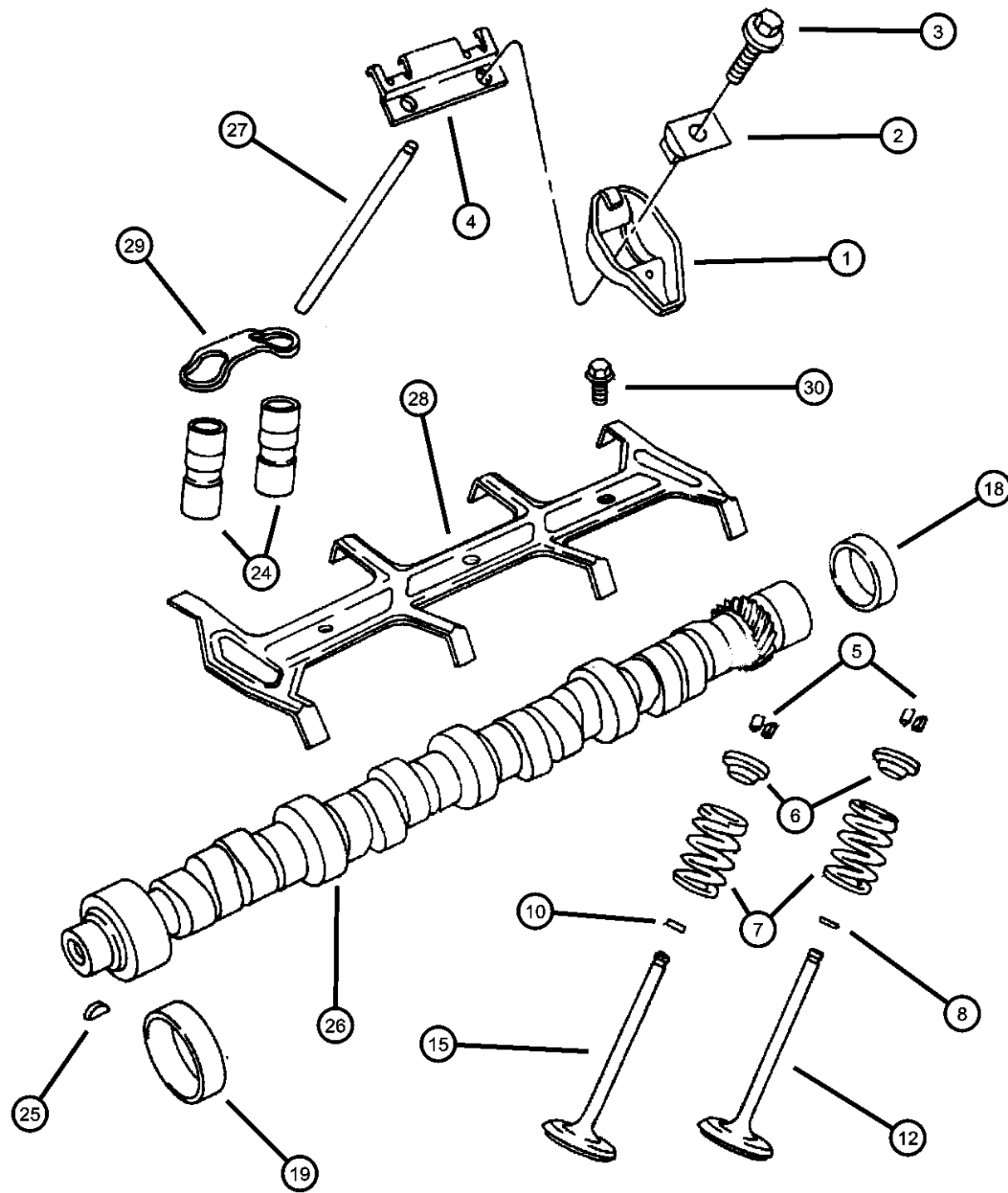
BODY
 74 = SPORT UTILITY 4-DR

ENGINE
 ELF = 5.2L V8 MPI Engine
 EML = 5.9L V8 MPI Engine
 ERH = 4.0L Power Tech I-6
 Engine

TRANSMISSION
 DGK = 4-Spd. Automatic 42RE
 Transmission
 DGW = 4-Spd. Automatic 4RE
 Transmission
 DG0 = Transmissions - All Automatic

AR = use ase required - = Non illustrated part

Camshaft and Valves
Figure 5.2L-510



| ITEM | PART NUMBER | QTY | LINE | SERIES | BODY | ENGINE | TRANS | TRIM | DESCRIPTION |
|------|-------------|-----|------|--------|------|----------|-------|------|---------------------------------------|
| 1 | 53008282 | 16 | | | | ELO, EMO | | | ROCKER ARM, Valve |
| 2 | 53008283 | 16 | | | | ELO, EMO | | | PIVOT, Rocker Arm |
| 3 | 06034184 | 16 | | | | ELO, EMO | | | BOLT, Hex Flange Head, .312-18x1.72 |
| 4 | 53008633 | 8 | | | | ELO, EMO | | | RETAINER, Rocker Arm Pivot |
| 5 | 33003521 | 32 | | | | ELO, EMO | | | LOCK, Valve Spring Retainer |
| 6 | 33004626 | 16 | | | | ELO | | | RETAINER, Valve Spring |
| 7 | 53021056 | 16 | | | | ELO, EMO | | | SPRING, Valve |
| 8 | 53009886 | 8 | | | | ELO, EMO | | | SEAL, Valve Guide, Standard, .003 O/S |
| -9 | 33003016 | AR | | | | ELO, EMO | | | SEAL, Valve Guide, .015" Oversize |
| 10 | 53009887 | 8 | | | | ELO | | | SEAL, Valve Guide, Standard, .003 O/S |
| -11 | 33002733 | AR | | | | ELO, EMO | | | SEAL, Valve Guide, .015" Oversize |
| 12 | 53006723 | 8 | | | | ELO, EMO | | | VALVE, Intake, Standard |
| -13 | 53009287 | AR | | | | ELO, EMO | | | VALVE, Intake, .003" O/S |
| -14 | 53009285 | AR | | | | ELO, EMO | | | VALVE, Intake, .015" O/S |
| 15 | 53006724 | 8 | | | | ELO, EMO | | | VALVE, Exhaust, Standard |
| -16 | 53009291 | AR | | | | ELO, EMO | | | VALVE, Exhaust, .003" O/S |
| -17 | 53009289 | AR | | | | ELO, EMO | | | VALVE, Exhaust, .015" O/S |
| 18 | 02863071 | 1 | | | | ELO | | | PLUG, Camshaft |
| 19 | 03830603 | 1 | | | | ELO | | | BEARING, Camshaft, #1 |
| -20 | 04179776 | 1 | | | | ELO | | | BEARING, Camshaft, #2 |
| -21 | 04179777 | 1 | | | | ELO | | | BEARING, Camshaft, #3 |
| -22 | 04179778 | 1 | | | | ELO | | | BEARING, Camshaft, #3 or #4 |
| -23 | 01632526 | 1 | | | | ELO | | | BEARING, Camshaft, #4 or #5 |
| 24 | 04713439 | 16 | | | | ELO, EMO | | | TAPPET PACKAGE, Valve |
| 25 | 00431787 | 1 | | | | ELO, EMO | | | KEY, Camshaft Sprocket |
| 26 | 53020283 | 1 | | | | ELO | | | CAMSHAFT, Engine |
| 27 | 53006722 | 16 | | | | ELO, EMO | | | PUSH ROD, Valve |
| 28 | 04323207 | 1 | | | | ELO, EMO | | | RETAINER, Tappet Yoke Aligning |
| 29 | 04483045 | 8 | | | | ELO, EMO | | | YOKE, Tappet Aligning |
| 30 | 06034483 | 18 | | | | ELO | | | SCREW, Hex Head Coned, .312-18x.875 |

GRAND CHEROKEE (ZJ)

SERIES LINE
L = LOWLINE T = JEEP - 2WD
J = JEEP - 4WD

BODY
74 = SPORT UTILITY 4-DR

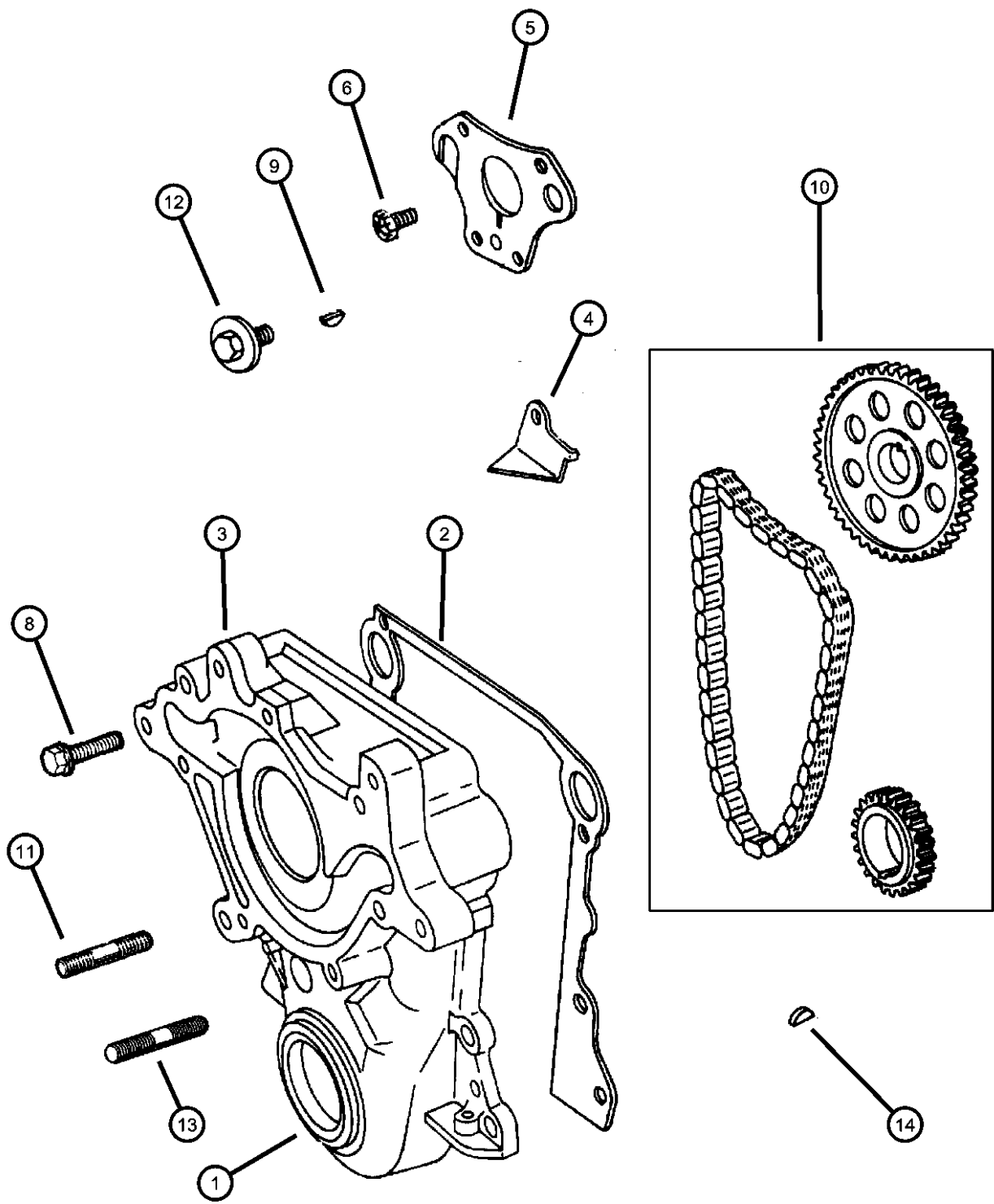
ENGINE
ELF = 5.2L V8 MPI Engine
EML = 5.9L V8 MPI Engine
ERH = 4.0L Power Tech I-6 Engine

TRANSMISSION
DGK = 4-Spd. Automatic 42RE Transmission
DGW = 4-Spd. Automatic 4RE Transmission
DG0 = Transmissions - All Automatic

AR = use ase required - = Non illustrated part

1997 ZJ

**Timing Gear and Cover
Figure 5.2L-610**



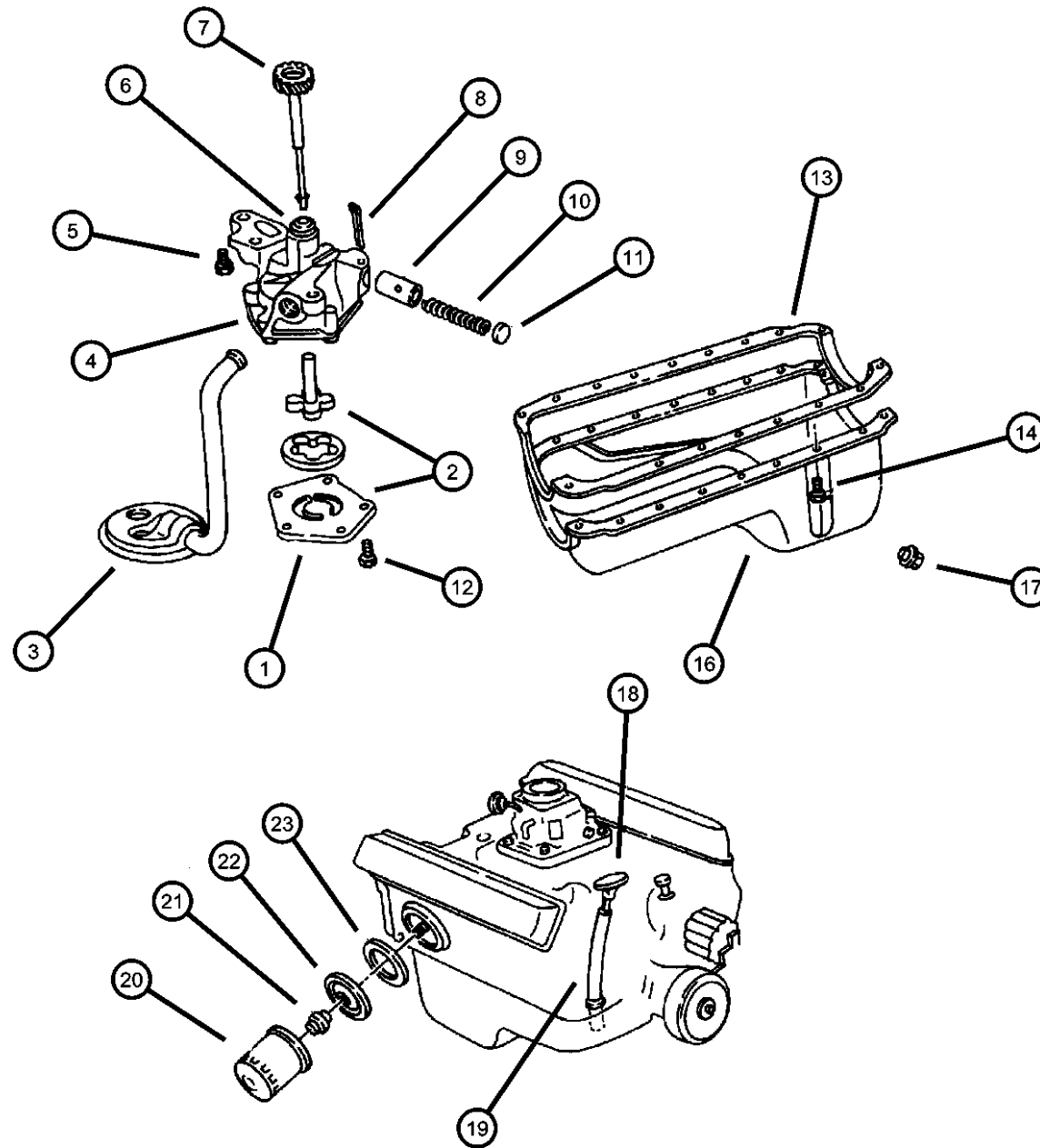
| ITEM | PART NUMBER | QTY | LINE | SERIES | BODY | ENGINE | TRANS | TRIM | DESCRIPTION |
|------|-------------|-----|------|--------|------|----------|-------|------|--|
| 1 | 04897297AA | 1 | | | | ELO | | | SEAL PACKAGE, Timing Case Cover |
| 2 | 53021057 | 1 | | | | ELO, EMO | | | GASKET, Chain Case Cover |
| 3 | 04897723AA | 1 | | | | ELO | | | COVER PACKAGE, Engine Timing |
| 4 | 03671649 | 1 | | | | ELO, EMO | | | TAB, Timing Chain Oil |
| 5 | 04315764 | 1 | | | | ELO, EMO | | | PLATE, Camshaft Thrust |
| 6 | 00191674 | 3 | | | | ELO, EMO | | | SCREW, Hex Head, .312-18.625 |
| -7 | 00191674 | 3 | | | | | | | SCREW AND WASHER, Hex Head, (NOT REQUIRED) |
| 8 | 06034479 | 1 | | | | ELO, EMO | | | BOLT, Hex Head, .375-16x2.25 |
| 9 | 06029411 | 1 | | | | ELO | | | KEY, Crankshaft Sprocket |
| 10 | 83507095 | 1 | | | | ELO | | | CHAIN PACKAGE, Timing |
| 11 | 06034452 | 1 | | | | ELO, EMO | | | STUD, .375-16x.375-16x2.38 |
| 12 | 06034321 | 1 | | | | ELO, EMO | | | SCREW AND WASHER, Hex Head, Coned, Header, .437-14x1.375 |
| 13 | 06034453 | 2 | | | | ELO, EMO | | | STUD, .375-16x.375-16x1.63 |
| 14 | 06029411 | 1 | | | | ELO | | | KEY, Crankshaft Sprocket |

GRAND CHEROKEE (ZJ)

| | | | | |
|-------------|----------------------------------|-------------------------|--|--|
| SERIES | LINE | BODY | ENGINE | TRANSMISSION |
| L = LOWLINE | T = JEEP - 2WD J = JEEP - 4WD | 74 = SPORT UTILITY 4-DR | ELF = 5.2L V8 MPI Engine EML = 5.9L V8 MPI Engine ERH = 4.0L Power Tech I-6 Engine | DGK = 4-Spd. Automatic 42RE Transmission DGW = 4-Spd. Automatic 4RE Transmission DG0 = Transmissions - All Automatic |

AR = use ase required - = Non illustrated part

**Engine Oiling
Figure 5.2L-710**



| ITEM | PART NUMBER | QTY | LINE | SERIES | BODY | ENGINE | TRANS | TRIM | DESCRIPTION |
|------|-------------|-----|------|--------|------|----------|-------|------|---|
| 1 | 04071043 | 1 | | | | ELO | | | COVER, Engine Oil Pump |
| 2 | 03837648 | 1 | | | | ELO | | | SHAFT AND ROTOR PACKAGE, Oil Pump |
| 3 | 53020462 | 1 | | | | ELO | | | PICKUP, Engine Oil |
| 4 | 53009295 | 1 | | | | ELO | | | PUMP, Engine Oil |
| 5 | 00179842 | 2 | | | | ELO, EMO | | | SCREW, Hex Head Header Point, .375-16x1.375 |
| 6 | 01737725 | 1 | | | | ELO | | | BUSHING, Oil Pump and Distributor |
| 7 | 53020546 | 1 | | | | ELO, EMO | | | SHAFT, Oil Pump |
| 8 | 00108636 | 1 | | | | ELO | | | PIN, Cotter |
| 9 | 02843208 | 1 | | | | ELO | | | PLUNGER, Oil Pressure Relief Valve |
| 10 | 02402473 | 1 | | | | ELO | | | SPRING, Oil Pressure Relief Valve |
| 11 | 02806273 | 1 | | | | ELO | | | CAP, Oil Pressure Relief Valve |
| 12 | 00220480 | 5 | | | | ELO | | | SCREW, Hex Head Header Point, .25-20x.75 |
| 13 | 53005650 | 1 | | | | ELO | | | GASKET, Oil Pan |
| 14 | 06034483 | 18 | | | | ELO | | | SCREW, Hex Head Coned, .312-18x.875 |
| -15 | 06034733 | 1 | | | | ELO, EMO | | | STUD, .312-18/.250-20x1.680 |
| 16 | 53020913 | 1 | | | | ELO | | | PAN, Engine Oil |
| 17 | 06035417 | 1 | | | | ELO | | | PLUG, Oil Drain |
| 18 | 53020948 | 1 | | | | ELO, EMO | | | INDICATOR, Engine Oil Level |
| 19 | 53009121 | 1 | | | | ELO, EMO | | | TUBE, Engine Oil Indicator |
| 20 | 05281090 | 1 | | | | ELO, EMO | | | FILTER, Engine Oil |
| | 0FE00292 | | | | | | | | Canadian Aftermarket Part |
| | 05281090BA | | | | | | | | BULK PACK (12) |
| | 77060018 | | | | | | | | Performance Mobil 1, 15W - 50 Tri-Synthetic Engine Oil-Recommended Fill for 6.1L & 8.3L |
| | P5007323 | | | | | | | | Performance Mobil 1, 5W - 30 Tri-Synthetic Engine Oil, Quart |
| 21 | 53007563 | 1 | | | | ELO, EMO | | | CONNECTOR, Oil Filter |
| 22 | 53021053 | 1 | | | | ELO, EMO | | | PLATE, Oil Filter Adapter |
| 23 | 53020461 | 1 | | | | ELO, EMO | | | GASKET, Oil Filter Adapter |

GRAND CHEROKEE (ZJ)

SERIES LINE
L = LOWLINE T = JEEP - 2WD
 J = JEEP - 4WD

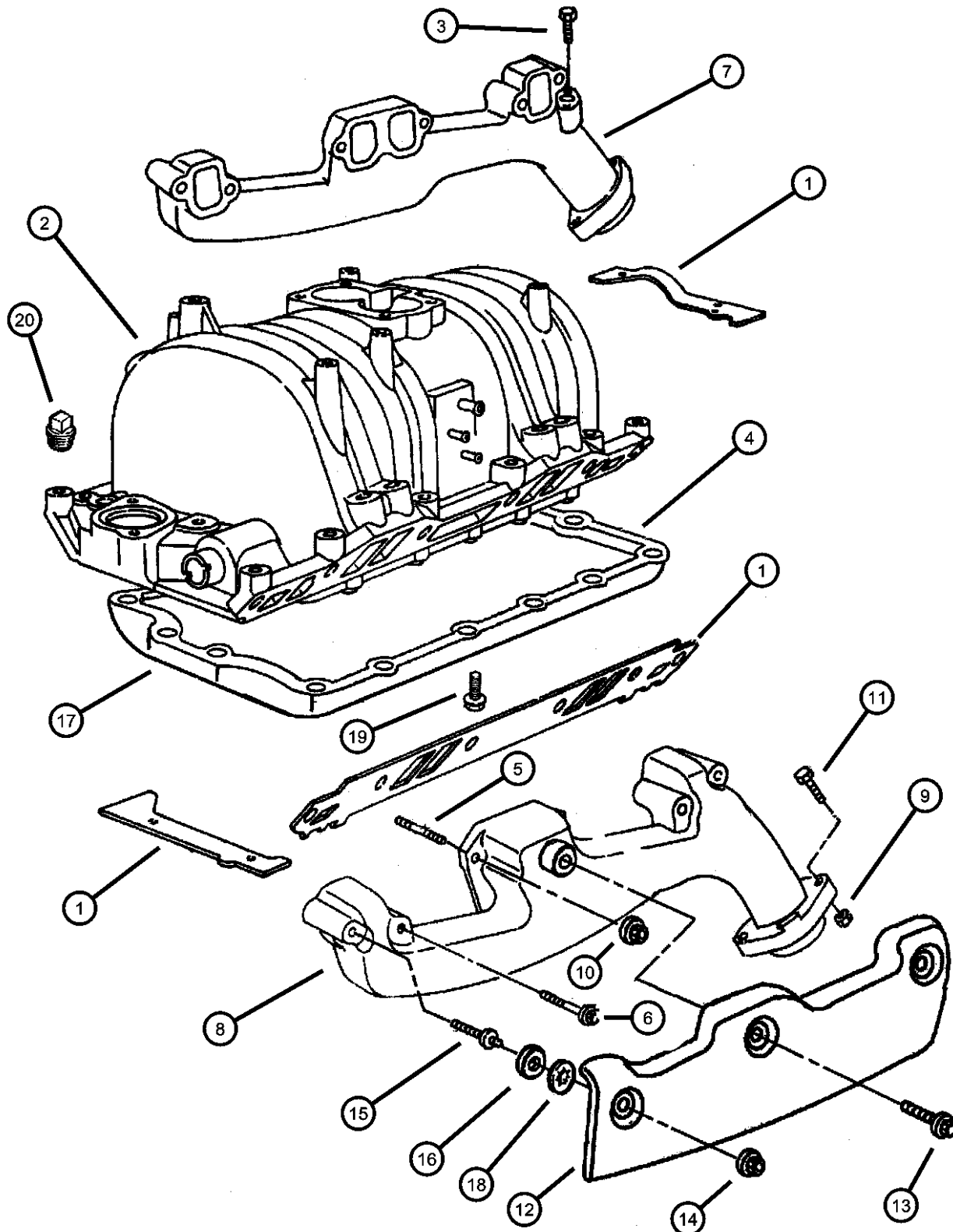
BODY
74 = SPORT UTILITY 4-DR

ENGINE
ELF = 5.2L V8 MPI Engine
EML = 5.9L V8 MPI Engine
ERH = 4.0L Power Tech I-6 Engine

TRANSMISSION
DGK = 4-Spd. Automatic 42RE Transmission
DGW = 4-Spd. Automatic 4RE Transmission
DG0 = Transmissions - All Automatic

AR = use ase required - = Non illustrated part

**Manifold, Intake and Exhaust
Figure 5.2L-810**



| ITEM | PART NUMBER | QTY | LINE | SERIES | BODY | ENGINE | TRANS | TRIM | DESCRIPTION |
|------|-------------|-----|------|--------|------|--------|-------|------|-------------|
|------|-------------|-----|------|--------|------|--------|-------|------|-------------|

NOTE: Packages Do Not Contain Gaskets For All Required Sealing. R.T.V. Sealer And Gasket Eliminator Must Also Be Used.

| | | | | | | | | | |
|----|------------|----|--|--|--|----------|--|--|---|
| 1 | 04897383AA | 1 | | | | ELO, EMO | | | GASKET PACKAGE, Intake Manifold |
| 2 | 04883318 | 1 | | | | ELO, EMO | | | MANIFOLD, Intake |
| 3 | 06035967AA | 12 | | | | ELO, EMO | | | SCREW AND WASHER, Hex Head |
| 4 | 53006623 | 1 | | | | ELO, EMO | | | GASKET, Intake Manifold Pan |
| 5 | 06034643 | 4 | | | | ELO, EMO | | | STUD, .312-18/.312-24x2.25 |
| 6 | 06034806 | 2 | | | | ELO, EMO | | | SCREW AND WASHER, Hex Head, .312-18x3.125 |
| 7 | 53030869 | 1 | | | | ELO | | | MANIFOLD, Exhaust |
| 8 | 53009379 | 1 | | | | ELO | | | MANIFOLD, Exhaust |
| 9 | 06031959 | 4 | | | | ELO, EMO | | | NUT, Hex Flange Lock |
| 10 | 00115729 | 4 | | | | ELO, EMO | | | NUT, Hex, .312 x 24 |
| 11 | 06035343 | 4 | | | | ELO, EMO | | | BOLT, Hex Head, .375-16x.25 |
| 12 | 53010260 | 1 | | | | ELO, EMO | | | SHIELD, Exhaust Manifold |
| 13 | 53010260 | 1 | | | | | | | SCREW, .312-18x.875, (NOT SERVICED) |
| 14 | 53010260 | 1 | | | | | | | NUT, .312-24, (NOT SERVICED) |
| 15 | 06035184 | 6 | | | | ELO, EMO | | | STUD, .312-18/.312-24x4.125 |
| 16 | 53010091 | 4 | | | | ELO, EMO | | | CLAMP, Exhaust Manifold |
| 17 | 53006617 | 1 | | | | ELO, EMO | | | PAN, Intake Manifold |
| 18 | 06026334 | 4 | | | | ELO, EMO | | | NUT, Push, .312 |
| 19 | 06034583 | 15 | | | | ELO, EMO | | | SCREW AND WASHER, Hex Head, .25-20x.892 |
| 20 | 06035687 | 1 | | | | ELO, EMO | | | PLUG, Pipe, .125-27x3.50 |

GRAND CHEROKEE (ZJ)

SERIES LINE
L = LOWLINE T = JEEP - 2WD
 J = JEEP - 4WD

BODY
74 = SPORT UTILITY 4-DR

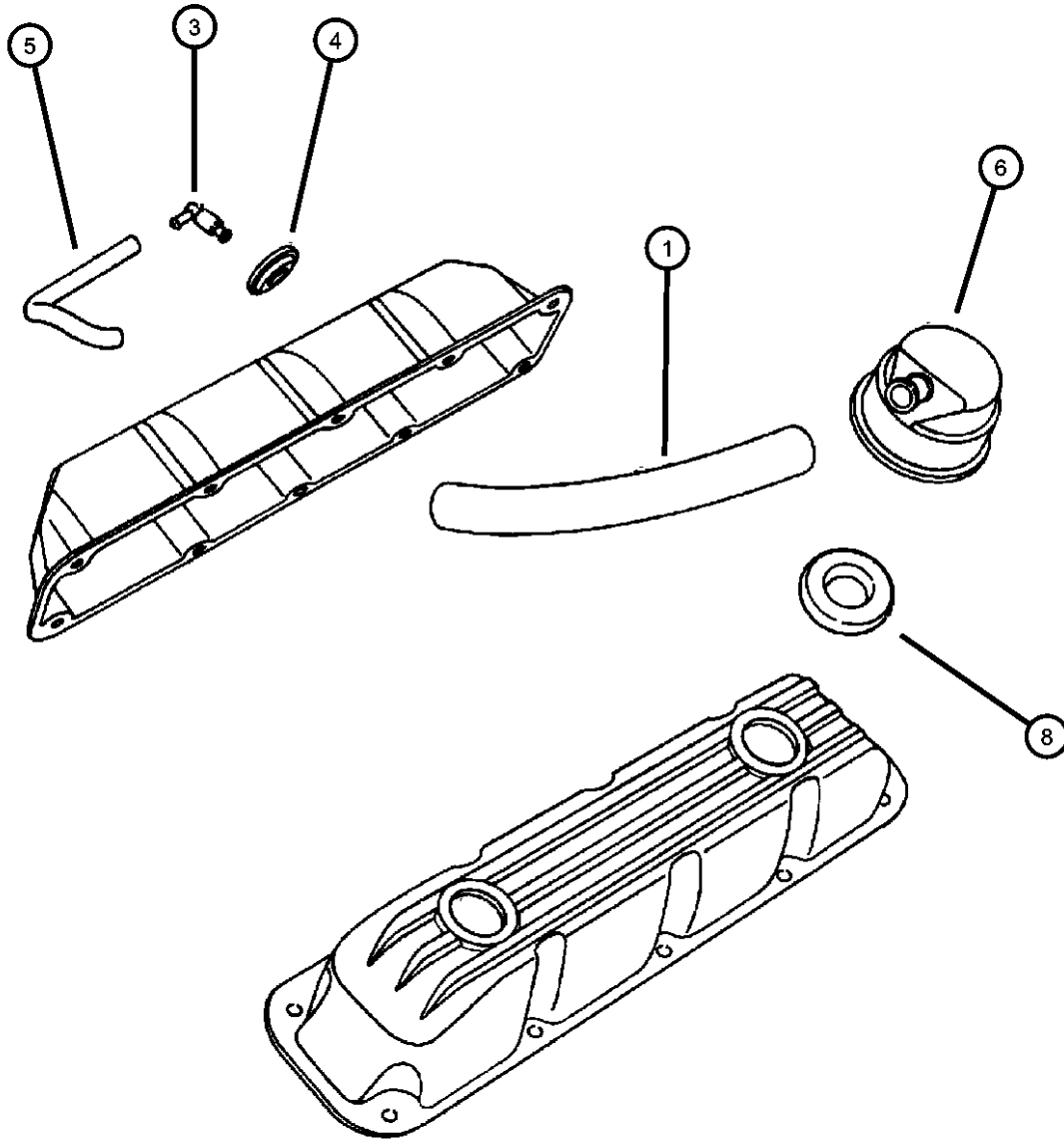
ENGINE
ELF = 5.2L V8 MPI Engine
EML = 5.9L V8 MPI Engine
ERH = 4.0L Power Tech I-6 Engine

TRANSMISSION
DGK = 4-Spd. Automatic 42RE Transmission
DGW = 4-Spd. Automatic 4RE Transmission
DG0 = Transmissions - All Automatic

AR = use ase required - = Non illustrated part

1997 ZJ

**Crankcase Ventilation
Figure 5.2L-910**



| ITEM | PART NUMBER | QTY | LINE | SERIES | BODY | ENGINE | TRANS | TRIM | DESCRIPTION |
|------|-------------|-----|------|--------|------|----------|-------|------|---|
| 1 | 53030341 | 1 | | | | ELO, EM0 | | | HOSE, Crankcase Vent |
| -2 | 53030341 | 1 | | | | | | | TUBE, Crankcase Vent To Air Cleaner, (NOT REQUIRED) |
| 3 | 53031135 | 1 | | | | ELO, EM0 | | | VALVE, Crankcase Vent |
| 4 | 53030017 | 1 | | | | ELO, EM0 | | | GROMMET, Crankcase Vent |
| 5 | 53008675AB | 1 | | | | ELO, EM0 | | | TUBE, PCV Valve |
| 6 | 53030254 | 1 | | | | ELO, EM0 | | | FILTER, Crankcase Vent |
| -7 | 53030254 | 1 | | | | | | | FITTING, Crankcase Vent Tube, (NOT REQUIRED) |
| 8 | 02946079 | 1 | | | | ELO | | | GROMMET, Crankcase Vent |

| | | | | |
|----------------------------|----------------------------------|-------------------------|--|--|
| GRAND CHEROKEE (ZJ) | | | | |
| SERIES | LINE | BODY | ENGINE | TRANSMISSION |
| L = LOWLINE | T = JEEP - 2WD J = JEEP - 4WD | 74 = SPORT UTILITY 4-DR | ELF = 5.2L V8 MPI Engine EML = 5.9L V8 MPI Engine ERH = 4.0L Power Tech I-6 Engine | DGK = 4-Spd. Automatic 42RE Transmission DGW = 4-Spd. Automatic 4RE Transmission DG0 = Transmissions - All Automatic |

AR = use ase required - = Non illustrated part

Group - 11

Exhaust

Group - 11 Exhaust

Illustration Title

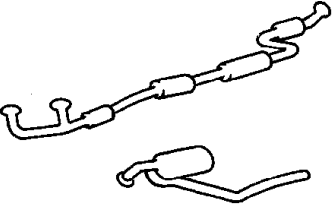
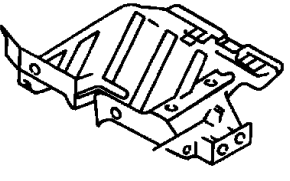
Group-Fig. No.

Exhaust System

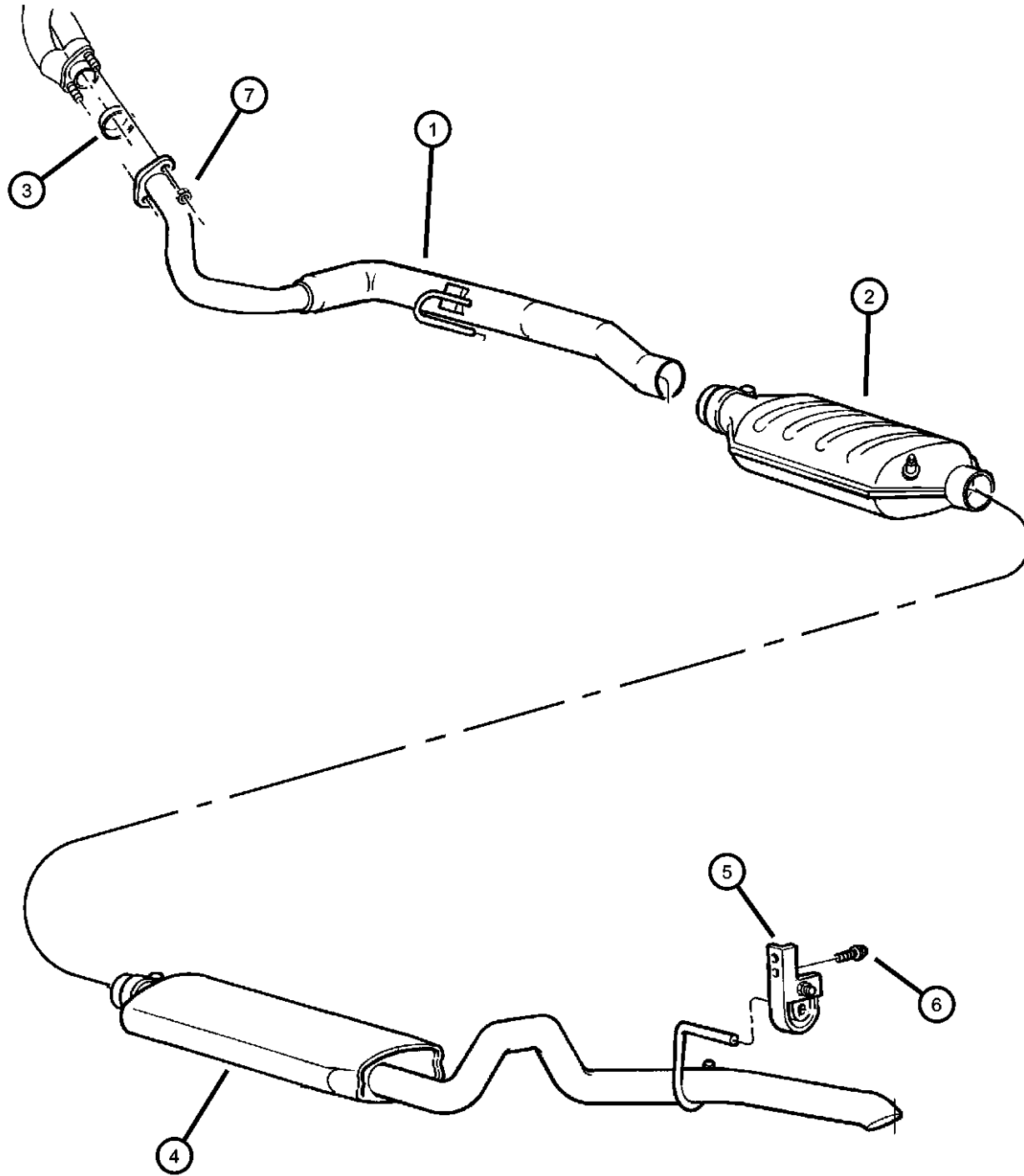
Exhaust System Fig. 11 - 110
 Exhaust System Fig. 11 - 120

Heat Shields

Heat Shields Fig. 11 - 210

| | | | |
|---|--|--|--|
| <p>011-100 Exhaust System</p>  | <p>011-200 Heat Shields</p>  | | |
|---|--|--|--|

**Exhaust System
Figure 11-110**



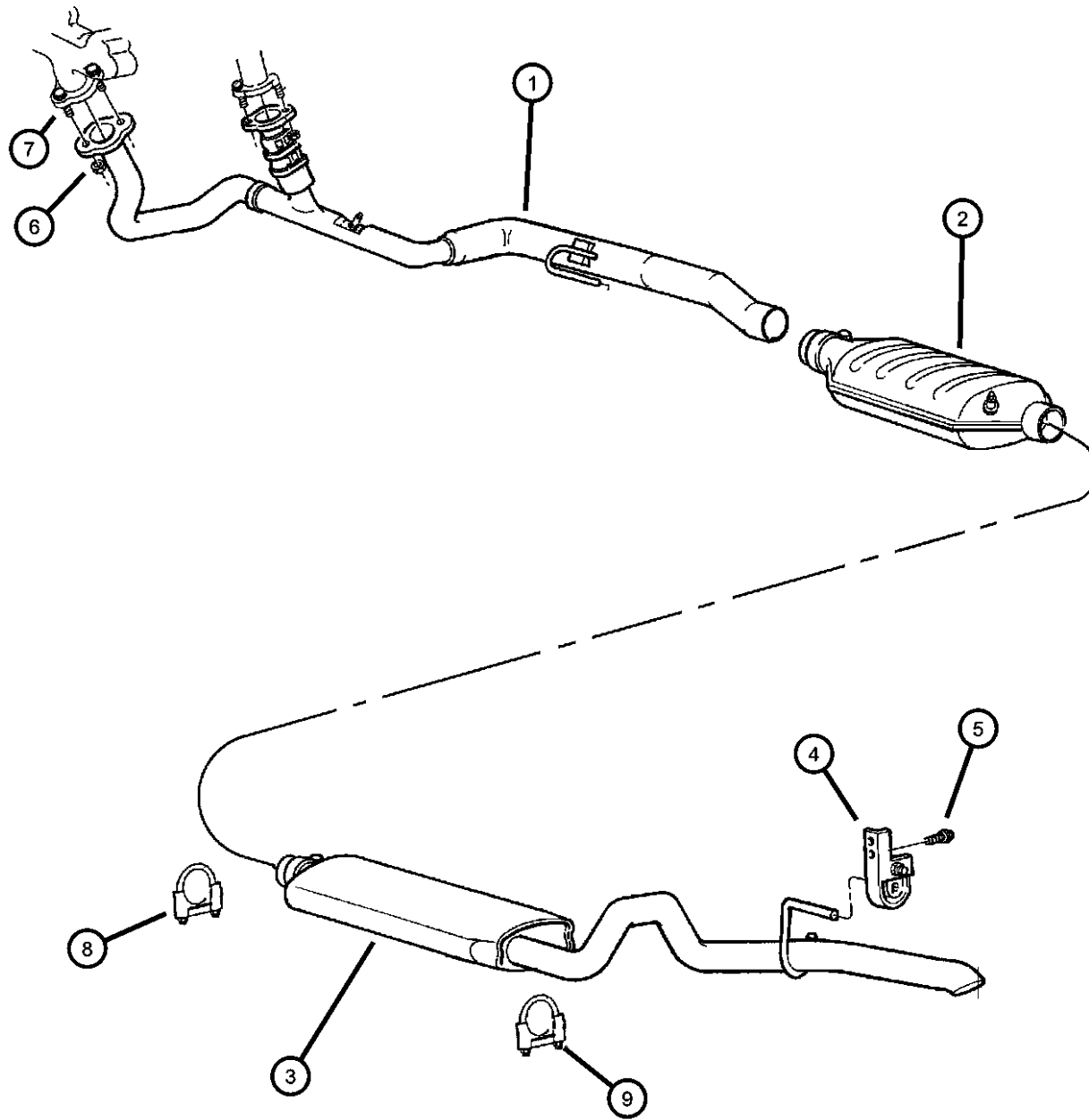
| ITEM | PART NUMBER | QTY | LINE | SERIES | BODY | ENGINE | TRANS | TRIM | DESCRIPTION |
|------|-------------|-----|------|--------|------|--------|-------|------|---|
| 1 | 52018935AB | 1 | | | | ER0 | | | PIPE, Exhaust California |
| | 52101299AB | 1 | | | | ER0 | | | Federal, Canada |
| 2 | 52019480AC | 1 | | | | ER0 | | | CONVERTER, Catalytic Federal, Canada |
| | E0015820 | | | | | | | | Mopar V-Line Alternative Part Direct Fit Converter |
| | 52101401AB | 1 | | | | ER0 | | | California |
| | E0015820 | | | | | | | | Mopar V-Line Alternative Part Direct Fit Converter |
| 3 | 52005431 | 1 | | | | ER0 | | | SEAL, Exhaust Mopar V-Line Alternative Part |
| | E0031598 | | | | | | | | |
| 4 | 52101196 | 1 | | | | ER0 | | | MUFFLER AND TAILPIPE, Exhaust |
| | E0017397 | | | | | | | | Dynomax Cat Back Single Exhaust |
| 5 | 52101034 | 1 | | | | | | | HANGER, Exhaust |
| 6 | 06101542 | 2 | | | | | | | SCREW, Hex Head, M8-1.25 x 20 |
| 7 | J4005142 | 2 | | | | ER0 | | | NUT, Hex Flange Lock |
| -8 | | | | | | | | | CLAMP, Exhaust |
| | 52002144 | 1 | | | | | | | [57.15MM], Front |
| | 52018424 | 1 | | | | | | | [2.50" DIA], Rear |
| -9 | 05083054AD | 1 | | | | ER0 | | | CONVERTER PACKAGE, Catalytic |
| | E0015820 | | | | | | | | Mopar V-Line Alternative Part |

GRAND CHEROKEE (ZJ)

| | | | | |
|-------------|----------------------------------|-------------------------|---|--|
| SERIES | LINE | BODY | ENGINE | TRANSMISSION |
| L = LOWLINE | T = JEEP - 2WD J = JEEP - 4WD | 74 = SPORT UTILITY 4-DR | ELF = 5.2L V8 MPI Engine EML = 5.9L V8 MPI Engine ERH = 4.0L Power Tech I-6 Engine | DGK = 4-Spd. Automatic 42RE Transmission DGW = 4-Spd. Automatic 4RE Transmission DG0 = Transmissions - All Automatic |

AR = use ase required - = Non illustrated part

**Exhaust System
Figure 11-120**



| ITEM | PART NUMBER | QTY | LINE | SERIES | BODY | ENGINE | TRANS | TRIM | DESCRIPTION |
|------|-------------|-----|------|--------|------|----------|-------|------|---------------------------------|
| 1 | 52101301AB | 1 | | | | ELO, EM0 | | | PIPE, Exhaust |
| 2 | 52019482 | 1 | | | | ELO, EM0 | | | CONVERTER, Catalytic |
| | E0015820 | | | | | | | | Mopar V-Line Alternative Part |
| 3 | | | | | | | | | MUFFLER AND TAILPIPE, Exhaust |
| | 52101205AC | 1 | | | | ELO | | | Mopar V-Line Alternative Part |
| | E0021276 | | | | | | | | Muffler |
| | E0054079 | | | | | | | | Mopar V-Line Alternative Part |
| | E0017397 | | | | | | | | Tailpipe |
| | E0036152 | | | | | | | | Dynomax Cat Back Single Exhaust |
| | 52101703 | 1 | | | | EM0 | | | Mopar Alternative Tailpipe |
| | E0017328 | | | | | | | | Bracket for E0054079 |
| | E0017397 | | | | | | | | Dynomax Cat Back Single Exhaust |
| 4 | 52101034 | 1 | | | | | | | HANGER, Exhaust |
| 5 | 06101542 | 2 | | | | | | | SCREW, Hex Head, M8-1.25 x 20 |
| 6 | 06031959 | 4 | | | | ELO, EM0 | | | NUT, Hex Flange Lock |
| 7 | 06035343 | 4 | | | | ELO, EM0 | | | BOLT, Hex Head, .375-16x.25 |
| 8 | 52018424 | 1 | | | | | | | CLAMP, Exhaust |
| 9 | 52002144 | 1 | | | | | | | CLAMP, Exhaust |

GRAND CHEROKEE (ZJ)

SERIES LINE
L = LOWLINE T = JEEP - 2WD
 J = JEEP - 4WD

BODY
74 = SPORT UTILITY 4-DR

ENGINE
ELF = 5.2L V8 MPI Engine
EML = 5.9L V8 MPI Engine
ERH = 4.0L Power Tech I-6 Engine

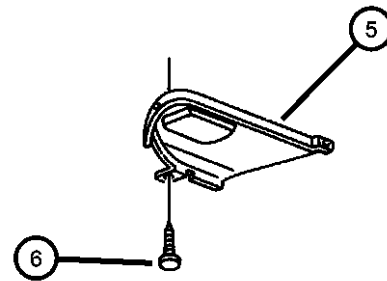
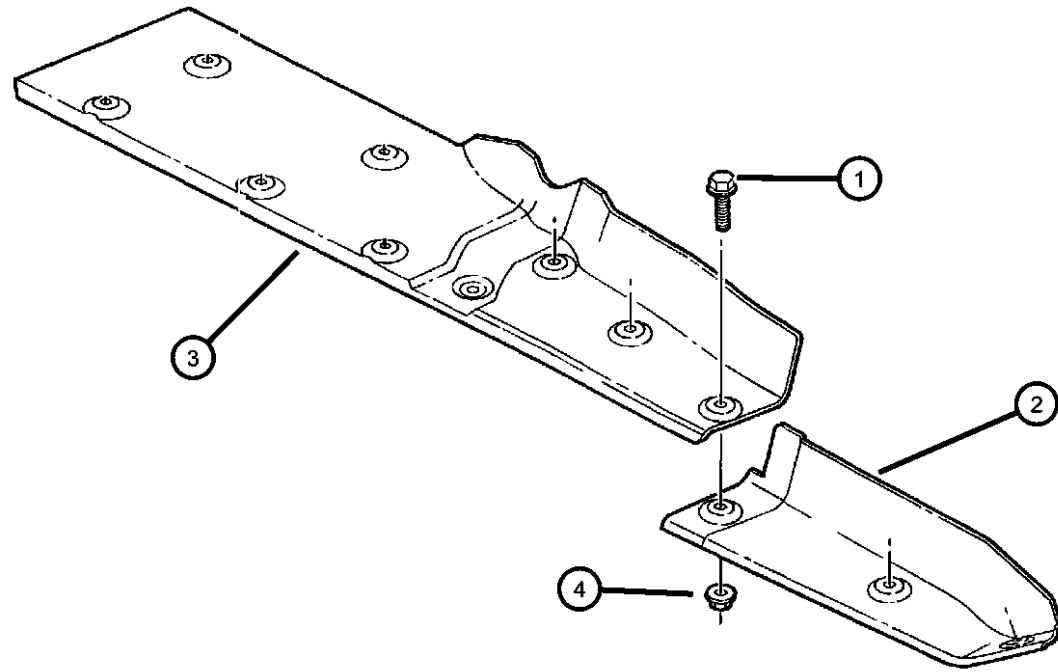
TRANSMISSION
DGK = 4-Spd. Automatic 42RE Transmission
DGW = 4-Spd. Automatic 4RE Transmission
DG0 = Transmissions - All Automatic

AR = use ase required - = Non illustrated part

1997 ZJ

Heat Shields
Figure 11-210

| ITEM | PART NUMBER | QTY | LINE | SERIES | BODY | ENGINE | TRANS | TRIM | DESCRIPTION |
|------|-------------|-----|------|--------|------|--------|-------|------|-------------------------------------|
| 1 | 52002144 | 1 | | | | | | | SCREW, .250-14X.699, (NOT SERVICED) |
| 2 | 55255307 | 1 | | | | | | | SHIELD, Heat |
| 3 | 55296097 | 1 | | | | | | | SHIELD, Heat |
| 4 | 06034402 | 10 | | | | | | | NUT, Hex Flange, .25-7 |
| 5 | 55296098 | 1 | | | | | | | SHIELD, Heat |
| 6 | 55296098 | 1 | | | | | | | PIN, M5x17.80, (NOT SERVICED) |



GRAND CHEROKEE (ZJ)

SERIES LINE
L = LOWLINE T = JEEP - 2WD
J = JEEP - 4WD

BODY
74 = SPORT UTILITY 4-DR

ENGINE
ELF = 5.2L V8 MPI Engine
EML = 5.9L V8 MPI Engine
ERH = 4.0L Power Tech I-6 Engine

TRANSMISSION
DGK = 4-Spd. Automatic 42RE Transmission
DGW = 4-Spd. Automatic 4RE Transmission
DG0 = Transmissions - All Automatic

AR = use ase required - = Non illustrated part

1997 ZJ

Group - 13

Frames and Bumpers

Group - 13 Frames and Bumpers

Group-Fig. No.

Illustration Title

Front Bumper and Fascia

Bumper, FrontFig. 13 - 240

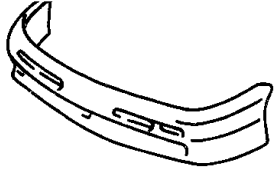

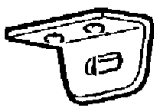
Rear Bumper and Fascia

Bumper, Rear.....Fig. 13 - 340

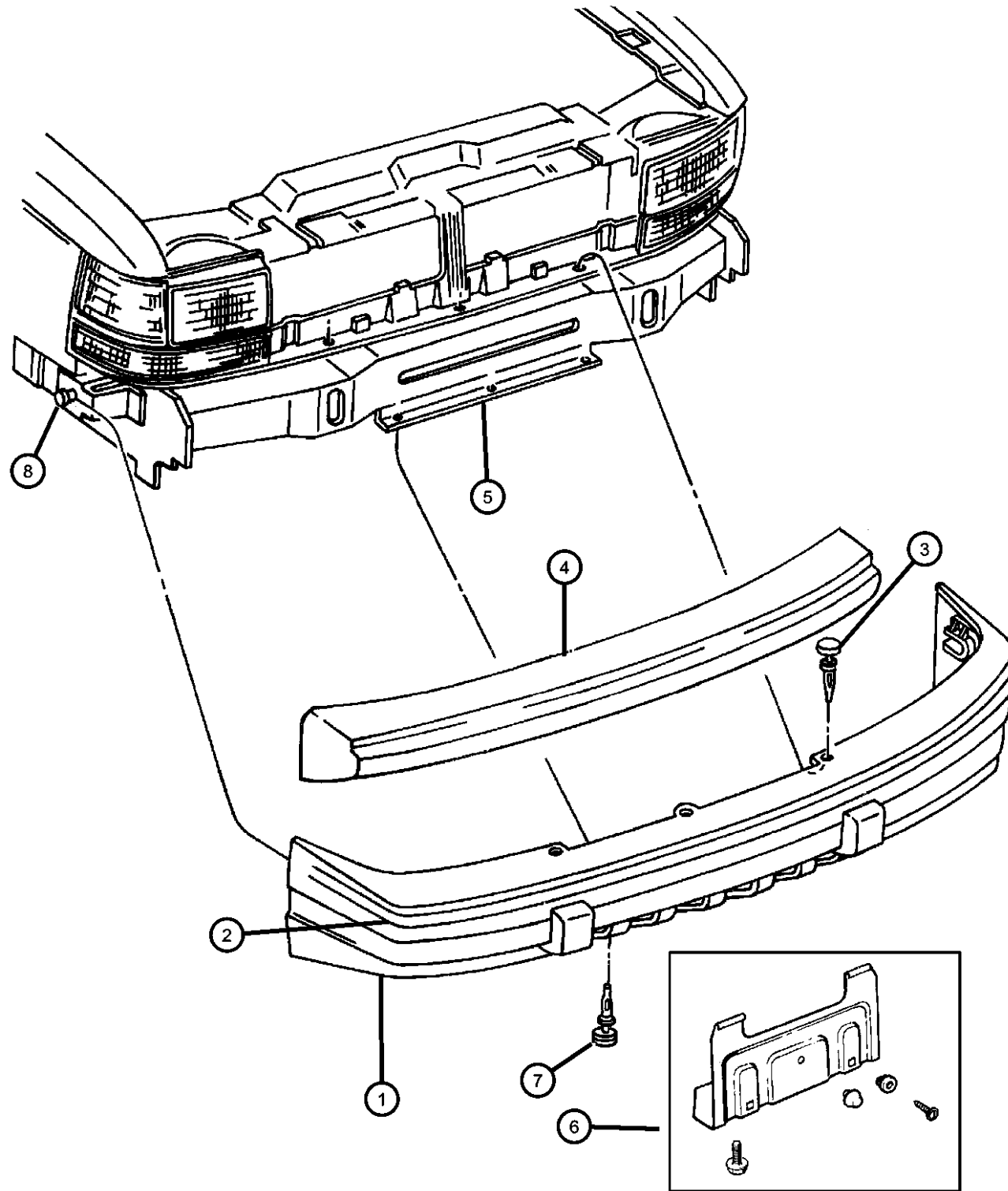
Trailer Tow

Tow Eye And Hooks.....Fig. 13 - 610

Trailer Towing HitchFig. 13 - 630

| | | | |
|--|--|---|--|
| <p>013-200 Front Bumper and Fascia</p>  | <p>013-300 Rear Bumper and Fascia</p>  | <p>013-600 Trailer Tow</p>  | |
|--|--|---|--|

Bumper, Front
Figure 13-240



| ITEM | PART NUMBER | QTY | LINE | SERIES | BODY | ENGINE | TRANS | TRIM | DESCRIPTION |
|------|-------------|-----|------|--------|------|--------|-------|------|--|
| 1 | | | | | | | | | FASCIA, Front |
| | 04798891 | 1 | | | | | | | Limited [ARP] (Service Dealer Paint) |
| | | 1 | | | | | | | Limited LX [ARV] Laredo Special Edition [ADZ] (Service Dealer Paint) |
| | 04883110 | 1 | | | | | | | TSI [AFM] |
| | 5DN63SS5 | 1 | | | | | | | Laredo with Fog Lamp [ARN] |
| | 5DS04SS5 | 1 | | | | | | | Laredo without Fog Lamp [ARN] |
| | 5FY81VF7AB | 1 | | | | | | | Laredo Special Appearance [ADX] With Fog Lamps |
| | 5FY82MFDAA | 1 | | | | | | | Laredo Special Appearance [ADX], Without Fog Lamps |
| 2 | | | | | | | | | TAPE, Fascia, Front |
| | 5FS87HC3 | 1 | | | | | | | TSI (AFM), Left |
| | 5FS86HC3 | 1 | | | | | | | TSI (AFM), Right |
| 3 | 06503454 | 3 | | | | | | | PIN, Fascia To Bumper, Push |
| 4 | | | | | | | | | ABSORBER, Front Energy |
| | 55255126 | 1 | | | | | | | Limited (ARP) |
| | 55295483 | 1 | | | | | | | Laredo (ARN) |
| | | 1 | | | | | | | Laredo Special Edition (ADX) |
| | | 1 | | | | | | | TSI (AFM) |
| 5 | 52058271 | 1 | | | | | | | BRACKET, Fascia, Fascia Support |
| 6 | 55255994 | 1 | | | | | | | LICENSE PLATE KIT, License Plate |
| 7 | 06503106 | 3 | | | | | | | RETAINER, Push In Type M6.3 Hole, Push |
| 8 | 55254700 | AR | | | | | | | PLATE, Fascia, Fascia Stud Repair |

GRAND CHEROKEE (ZJ)

SERIES LINE
L = LOWLINE T = JEEP - 2WD
 J = JEEP - 4WD

BODY
74 = SPORT UTILITY 4-DR

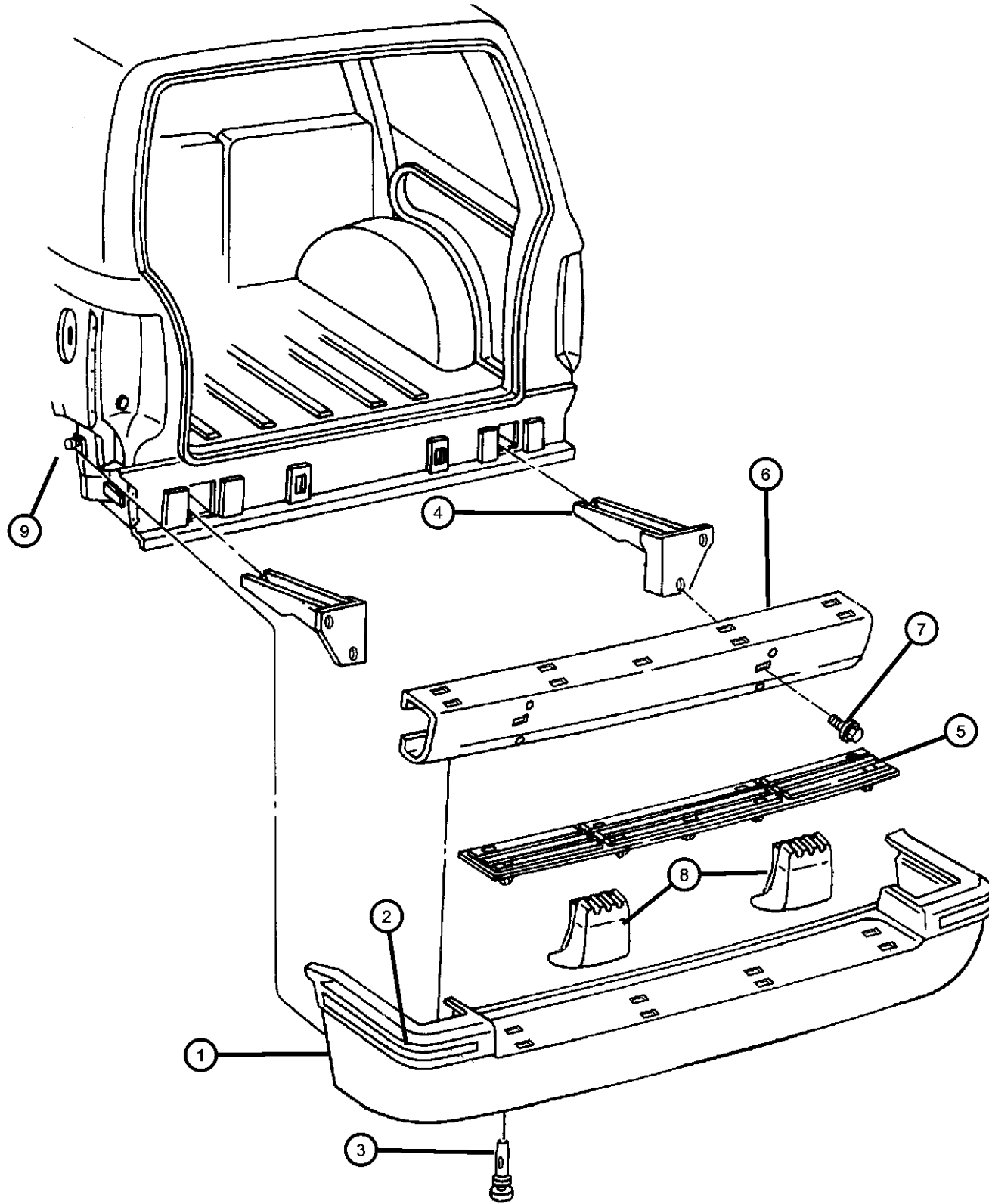
ENGINE
ELF = 5.2L V8 MPI Engine
EML = 5.9L V8 MPI Engine
ERH = 4.0L Power Tech I-6 Engine

TRANSMISSION
DGK = 4-Spd. Automatic 42RE Transmission
DGW = 4-Spd. Automatic 4RE Transmission
DG0 = Transmissions - All Automatic

AR = use ase required - = Non illustrated part

1997 ZJ

Bumper, Rear
Figure 13-340



| ITEM | PART NUMBER | QTY | LINE | SERIES | BODY | ENGINE | TRANS | TRIM | DESCRIPTION |
|------|-------------|-----|------|--------|------|--------|-------|------|---|
| 1 | 04798892 | 1 | | | | | | | FASCIA, Rear Limited [ARP], Laredo Special Edition [ADZ], (Service Dealer Paint) |
| | 04883111 | 1 | | | | | | | TSI [AFM] |
| | 5DP65SS5 | 1 | | | | | | | Laredo [ARN] |
| | 5FY80VF7AB | 1 | | | | | | | Laredo Special Appearance [ADX] |
| 2 | 5FS96HC3 | 1 | | | | | | | TAPE, Fascia, Rear, TSI (AFM) |
| 3 | 06503106 | 4 | | | | | | | RETAINER, Push In Type M6.3 Hole |
| 4 | | | | | | | | | BRACKET, Rear Bumper |
| | 55255338 | 1 | | | | | | | Right |
| | 55255339 | 1 | | | | | | | Left |
| 5 | 55031880 | 1 | | | | | | | PLATE, Scuff, Rear Bumper Step |
| 6 | 55155459 | 1 | | | | | | | REINFORCEMENT, Rear Bumper |
| 7 | 55155459 | 1 | | | | | | | SCREW, (NOT SERVICED) |
| 8 | | | | | | | | | ABSORBER, Rear Energy |
| | 55255128 | 1 | | | | | | | Limited (ARP) |
| | 55295508 | 1 | | | | | | | Laredo (ARN,ADX) |
| | | 1 | | | | | | | TSI (AFM) |
| 9 | 55254700 | AR | | | | | | | PLATE, Fascia, Fascia Stud Repair |

GRAND CHEROKEE (ZJ)

SERIES LINE
L = LOWLINE T = JEEP - 2WD
 J = JEEP - 4WD

BODY
74 = SPORT UTILITY 4-DR

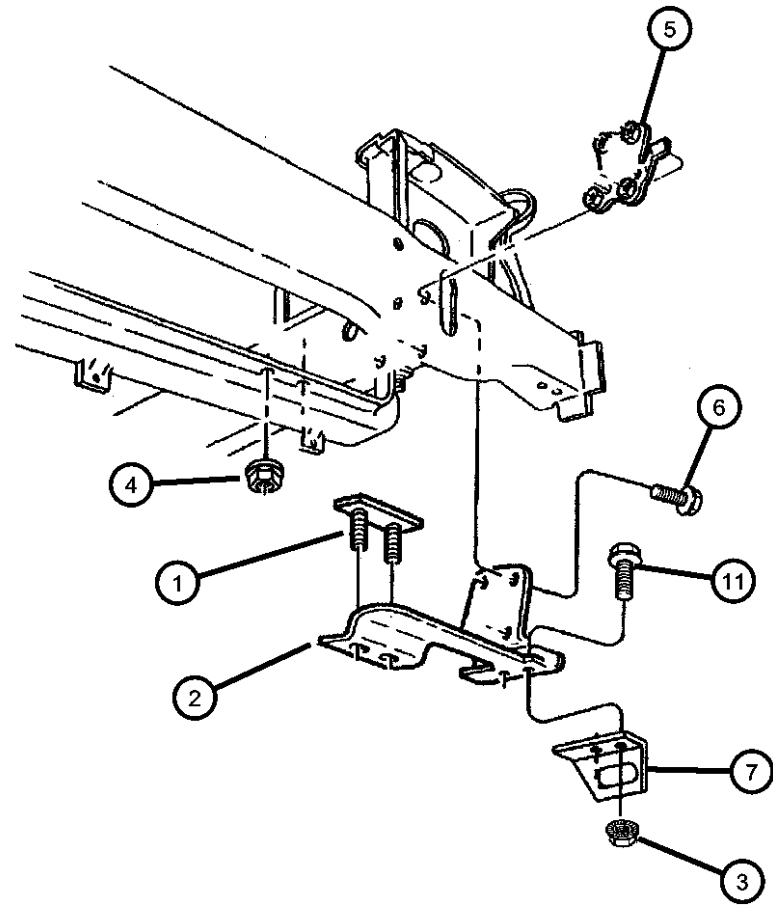
ENGINE
ELF = 5.2L V8 MPI Engine
EML = 5.9L V8 MPI Engine
ERH = 4.0L Power Tech I-6 Engine

TRANSMISSION
DGK = 4-Spd. Automatic 42RE
Transmission
DGW = 4-Spd. Automatic 4RE
Transmission
DG0 = Transmissions - All Automatic

AR = use ase required - = Non illustrated part

1997 ZJ

**Tow Eye And Hooks
Figure 13-610**



| ITEM | PART NUMBER | QTY | LINE | SERIES | BODY | ENGINE | TRANS | TRIM | DESCRIPTION |
|------|-------------|-----|------|--------|------|--------|-------|------|--|
| 1 | 55155486 | 2 | J | | | | | | STUD PLATE, Brush Guard, Stud |
| 2 | | | | | | | | | BRACKET, Tow Hook |
| | 52005584 | 1 | | | | | | | Rear |
| | 52057628 | 1 | | | | | | | Right Front |
| | 52057629 | 1 | | | | | | | Left Front |
| 3 | 52057629 | 1 | | | | | | | NUT, (NOT SERVICED) |
| 4 | 06101448 | 4 | | | | | | | NUT AND WASHER, Hex Nut-Coned Washer, M10 x 1.5 |
| 5 | | | | | | | | | PLATE, Tow Hook |
| | 52057762 | 1 | | | | | | | Right |
| | 52057763 | 1 | | | | | | | Left |
| 6 | 06503331 | 8 | | | | | | | SCREW AND WASHER, Hex Flange Head Lock, M10x1.5x40 |
| 7 | 52001644 | 1 | | | | | | | HOOK, Tow |
| -8 | 52057999 | 2 | | | | | | | HOOK, Tow |
| -9 | 06101554 | 4 | | | | | | | SCREW AND WASHER, Hex Head, M12x1.75x55, Tow Hook |
| -10 | 06100055 | 4 | | | | | | | NUT AND WASHER, Hex Nut-Coned Washer, M12 x 1.75, Tow Hook |
| 11 | 06101102 | 1 | | | | | | | BOLT, Hex Head, M12x1.75x45 |

GRAND CHEROKEE (ZJ)

SERIES LINE
L = LOWLINE T = JEEP - 2WD
 J = JEEP - 4WD

BODY
74 = SPORT UTILITY 4-DR

ENGINE
ELF = 5.2L V8 MPI Engine
EML = 5.9L V8 MPI Engine
ERH = 4.0L Power Tech I-6
Engine

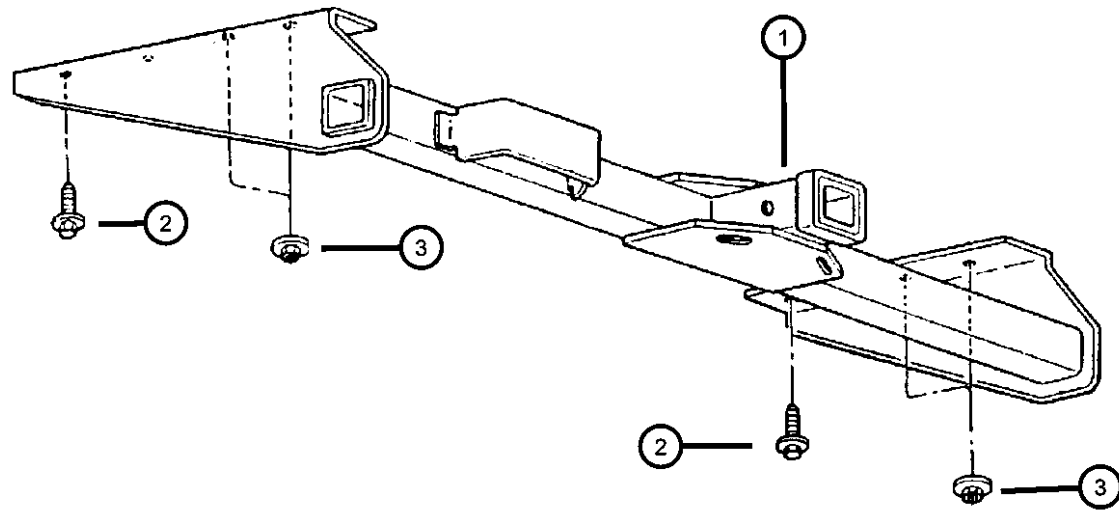
TRANSMISSION
DGK = 4-Spd. Automatic 42RE
Transmission
DGW = 4-Spd. Automatic 4RE
Transmission
DG0 = Transmissions - All Automatic

AR = use ase required - = Non illustrated part

1997 ZJ

Trailer Towing Hitch
Figure 13-630

| ITEM | PART NUMBER | QTY | LINE | SERIES | BODY | ENGINE | TRANS | TRIM | DESCRIPTION |
|------|-------------|-----|------|--------|------|--------|-------|------|-------------------------------|
| 1 | 52058755 | 1 | | | | | | | HITCH, Trailer |
| 2 | 06101102 | 2 | | | | | | | BOLT, Hex Head, M12x1.75x45 |
| 3 | 06100056 | 4 | | | | | | | NUT AND WASHER, Hex, M12x1.75 |



GRAND CHEROKEE (ZJ)

SERIES LINE
L = LOWLINE T = JEEP - 2WD
 J = JEEP - 4WD

BODY
74 = SPORT UTILITY 4-DR

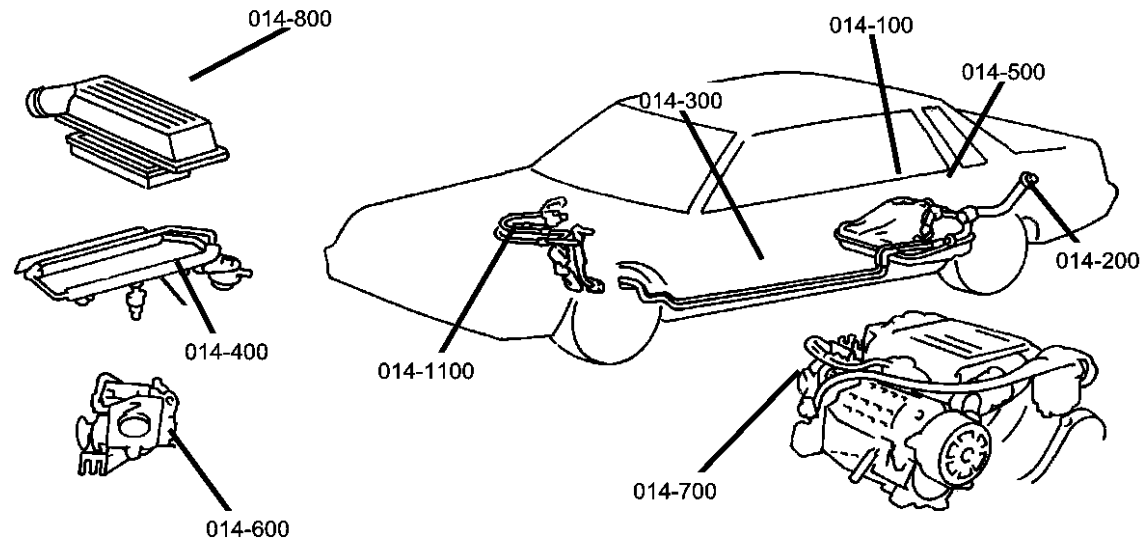
ENGINE
ELF = 5.2L V8 MPI Engine
EML = 5.9L V8 MPI Engine
ERH = 4.0L Power Tech I-6 Engine

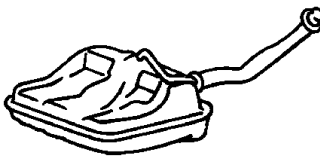
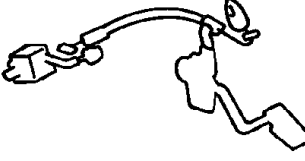

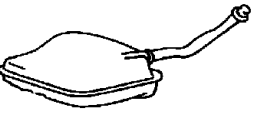
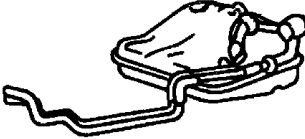
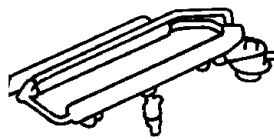
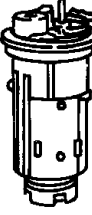

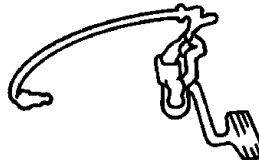
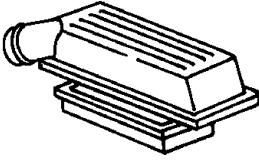
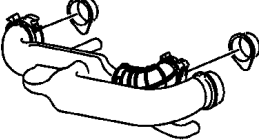
TRANSMISSION
DGK = 4-Spd. Automatic 42RE Transmission
DGW = 4-Spd. Automatic 4RE Transmission
DG0 = Transmissions - All Automatic

AR = use ase required - = Non illustrated part

Group - 14

Fuel

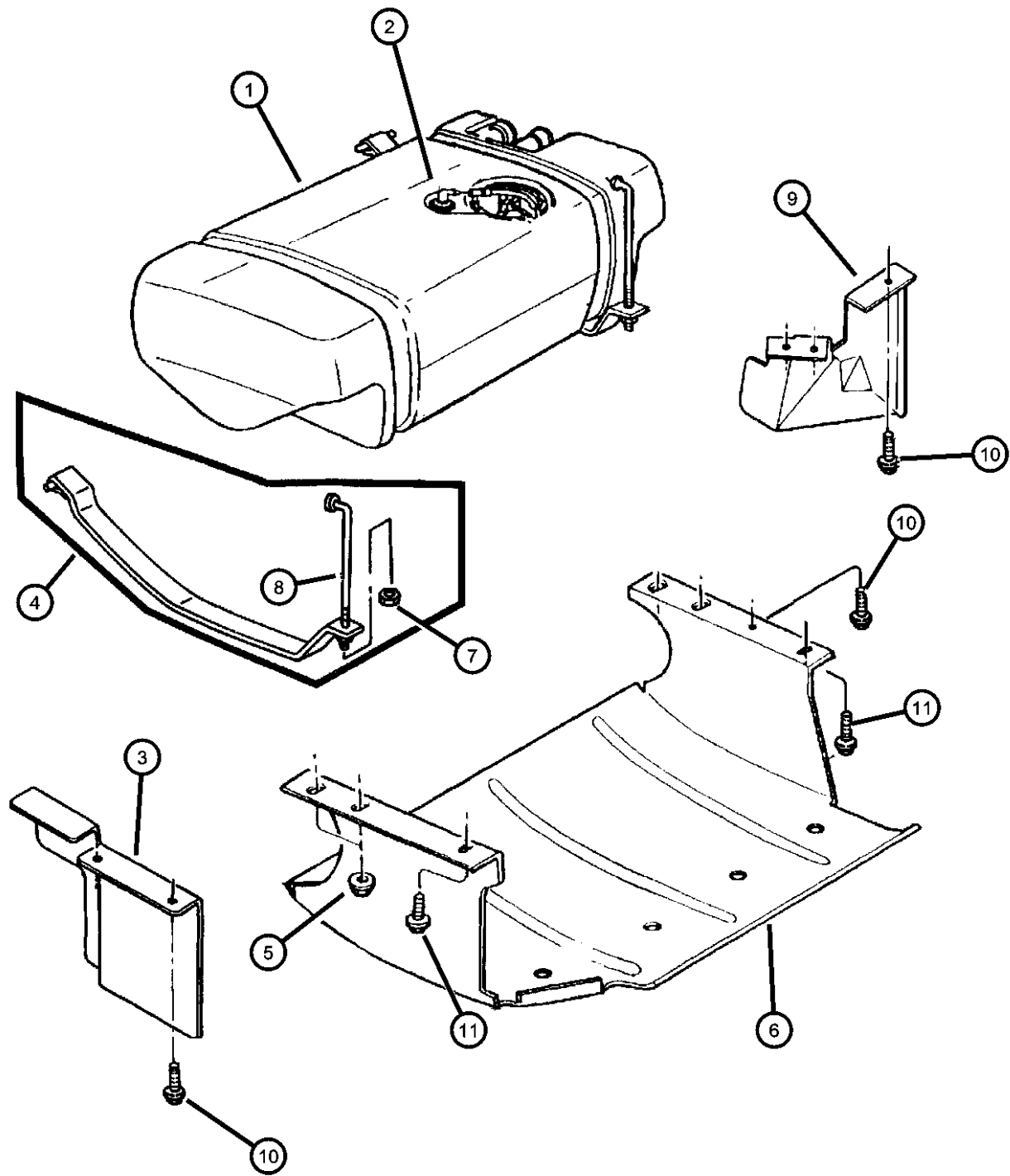


| | | | |
|---|--|--|---|
| <p>014-100 Tank, Fuel</p>  | <p>014-1000 Speed Control</p>  | <p>014-1100 Accelerator Pedal</p>  | <p>014-200 Fuel Tank Filler Tube</p>  |
| <p>014-300 Fuel Lines</p>  | <p>014-400 Fuel Rail</p>  | <p>014-500 Fuel Pump and Sending Unit</p>  | <p>014-600 Throttle Body</p>  |
| <p>014-700 Throttle Controls</p>  | <p>014-800 Air Cleaner</p>  | <p>014-900 Air Intake System</p>  | |

Group - 14 Fuel

| Illustration Title | Group-Fig. No. |
|-----------------------------------|----------------|
| Tank, Fuel | |
| Fuel Tank | Fig. 14 - 130 |
| Fuel Tank Filler Tube | |
| Fuel Tank Filler Tube..... | Fig. 14 - 220 |
| Fuel Lines | |
| Fuel Lines, Front | Fig. 14 - 310 |
| Fuel Lines, Rear..... | Fig. 14 - 340 |
| Fuel Rail | |
| Fuel Injection System | Fig. 14 - 410 |
| Fuel Pump and Sending Unit | |
| Fuel Module | Fig. 14 - 520 |
| Throttle Body | |
| Throttle Body | Fig. 14 - 610 |
| Throttle Controls | |
| Throttle Controls..... | Fig. 14 - 720 |
| Air Cleaner | |
| Air Cleaner..... | Fig. 14 - 850 |
| Air Intake System | |
| Air Intake System | Fig. 14 - 910 |
| Speed Control | |
| Speed Control | Fig. 14 - 1030 |
| Accelerator Pedal | |
| Accelerator Pedal | Fig. 14 - 1110 |

Fuel Tank
Figure 14-130



| ITEM | PART NUMBER | QTY | LINE | SERIES | BODY | ENGINE | TRANS | TRIM | DESCRIPTION |
|------|-------------|-----|------|--------|------|---------------|-------|------|---|
| 1 | 52100233 | 1 | | | | ELO, EM0, ERO | | | TANK, Fuel |
| 2 | 52100233 | 1 | | | | | | | VALVE, Fuel Vapor, Serviced in Tank, (NOT SERVICED) |
| 3 | 55296096 | 1 | | | | | | | SHIELD, Heat |
| 4 | 52100128 | 2 | | | | | | | STRAP, Fuel Tank |
| 5 | 06100056 | 4 | | | | | | | NUT AND WASHER, Hex, M12x1.75 |
| 6 | 52018436 | 1 | | | | | | | PLATE, Fuel Tank Skid |
| 7 | 06034955 | 2 | | | | | | | NUT, Hex Flange Lock, .375-16 |
| 8 | 52100130 | 2 | | | | | | | BOLT, Fuel Tank Strap |
| 9 | 53055010 | 1 | | | | | | | SHIELD, Fuel Tank |
| 10 | 06101777 | 4 | | | | | | | SCREW, Hex Flange Head Tapping, M6x1.00x20.00 |
| 11 | 06101102 | 2 | | | | | | | BOLT, Hex Head, M12x1.75x45 |

GRAND CHEROKEE (ZJ)

SERIES LINE
L = LOWLINE T = JEEP - 2WD
J = JEEP - 4WD

BODY
74 = SPORT UTILITY 4-DR

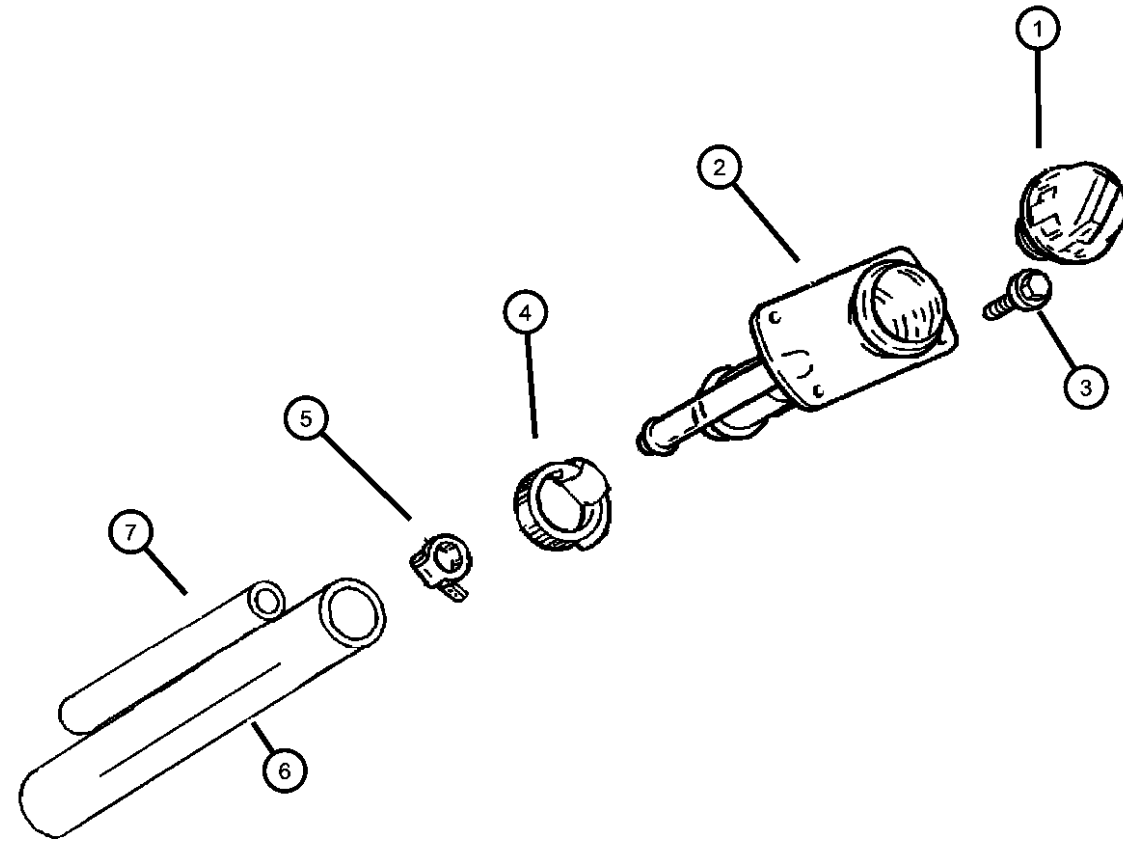
ENGINE
ELF = 5.2L V8 MPI Engine
EML = 5.9L V8 MPI Engine
ERH = 4.0L Power Tech I-6 Engine

TRANSMISSION
DGK = 4-Spd. Automatic 42RE Transmission
DGW = 4-Spd. Automatic 4RE Transmission
DG0 = Transmissions - All Automatic

AR = use ase required - = Non illustrated part

1997 ZJ

Fuel Tank Filler Tube
Figure 14-220



| ITEM | PART NUMBER | QTY | LINE | SERIES | BODY | ENGINE | TRANS | TRIM | DESCRIPTION |
|------|-------------|-----|------|--------|------|------------------|-------|------|----------------------|
| 1 | 52006629 | 1 | | | | | | | CAP, Fuel Filler |
| | 52100205 | 1 | | | | | | | [XJH] |
| 2 | 52127949 | 1 | | | | ELO, EM0, ER0 | | | TUBE, Filler |
| 3 | 00154236 | 4 | | | | | | | SCREW, Stake, .19-24 |
| 4 | 06502090 | 1 | | | | | | | CLAMP, Hose |
| 5 | 02448770 | 1 | | | | | | | CLAMP, Hose |
| 6 | 52018801 | 1 | | | | ELO, EM0, ER0 | | | HOSE, Fuel Filler |
| 7 | 52018799 | 1 | | | | ELO, EM0, ER0 | | | HOSE, Fuel |

GRAND CHEROKEE (ZJ)

SERIES LINE
L = LOWLINE T = JEEP - 2WD
J = JEEP - 4WD

BODY
74 = SPORT UTILITY 4-DR

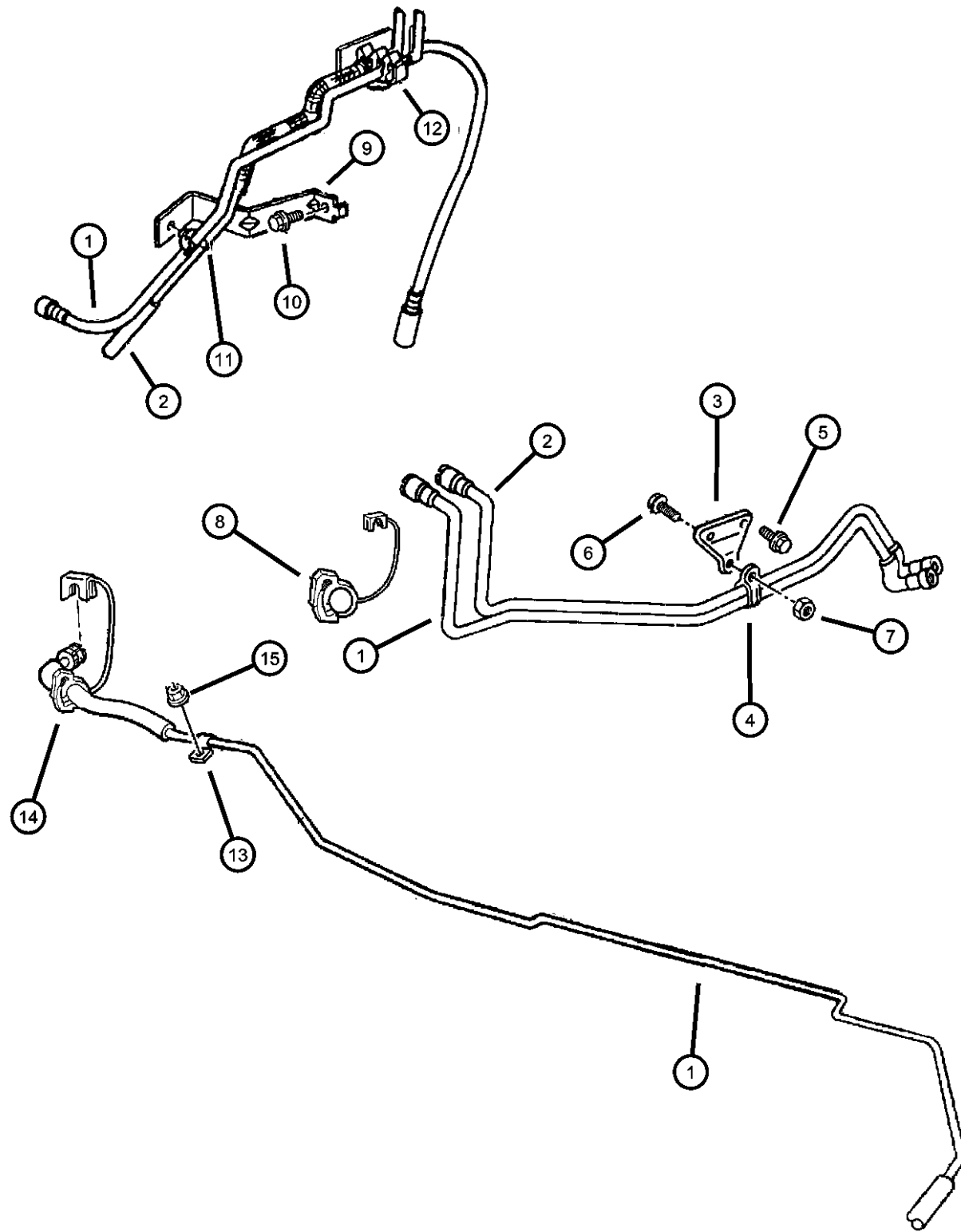
ENGINE
ELF = 5.2L V8 MPI Engine
EML = 5.9L V8 MPI Engine
ERH = 4.0L Power Tech I-6
Engine

TRANSMISSION
DGK = 4-Spd. Automatic 42RE
Transmission
DGW = 4-Spd. Automatic 4RE
Transmission
DG0 = Transmissions - All Automatic

AR = use ase required - = Non illustrated part

1997 ZJ

Fuel Lines, Front
Figure 14-310



| ITEM | PART NUMBER | QTY | LINE | SERIES | BODY | ENGINE | TRANS | TRIM | DESCRIPTION |
|------|-------------|-----|------|--------|------|------------------|-------|------|--|
| 1 | 52100210 | 1 | | | | EL0, EM0 | | | TUBE, Fuel Supply |
| | 52127633 | 1 | | | | ER0 | | | |
| 2 | 52020521 | 1 | | | | EL0, ER0 | | | TUBE, Fuel Vapor |
| | 52100171 | 1 | | | | EM0 | | | Federal, Canada California |
| 3 | 52007273 | 1 | | | | ER0 | | | BRACKET, Fuel Line |
| 4 | 06504589 | 1 | | | | ER0 | | | CLIP, Fuel Line |
| 5 | 06101801 | 2 | | | | ER0 | | | SCREW, Tapping Annular, M8x1.25x15 |
| 6 | 06501714 | 1 | | | | ER0 | | | SCREW AND WASHER, Hex Head, M6x1x18 |
| 7 | 06100047 | 1 | | | | ER0 | | | NUT AND WASHER, Hex Nut-Coned Washer, M6 x 1.00 |
| 8 | 52127788 | 1 | | | | ER0 | | | CLIP, Fuel Line |
| | | 1 | | | | EL0, EM0 | | | |
| 9 | 52100303AA | 1 | | | | | | | BRACKET, Fuel Line |
| 10 | 06101777 | 1 | | | | | | | SCREW, Hex Flange Head Tapping, M6x1.00x20.00 |
| 11 | 34202479 | 1 | | | | EL0, EM0, ER0 | | | CLIP, Fuel Tube |
| 12 | 34202479 | 1 | | | | EL0, EM0, ER0 | | | CLIP, Fuel Tube |
| 13 | 00120522 | 1 | | | | EL0, EM0 | | | CLIP, Wrap Around |
| 14 | 52127788 | 1 | | | | ER0 | | | CLIP, Fuel Line |
| | | 1 | | | | EL0, EM0 | | | |
| 15 | 06033560 | 2 | | | | ER0 | | | NUT AND WASHER, Hex Nut-Coned Washer, .25-20 |
| | | 1 | | | | EL0, EM0 | | | |

GRAND CHEROKEE (ZJ)

SERIES LINE
L = LOWLINE T = JEEP - 2WD
J = JEEP - 4WD

BODY
74 = SPORT UTILITY 4-DR

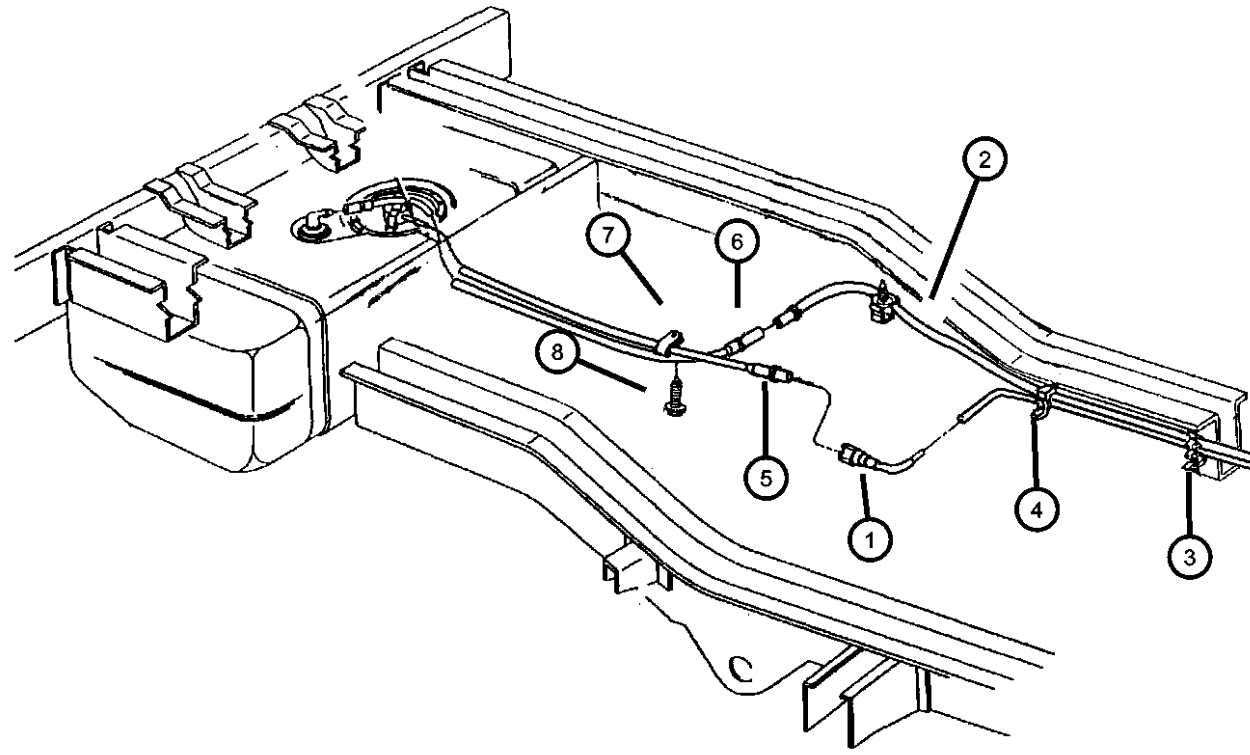
ENGINE
ELF = 5.2L V8 MPI Engine
EML = 5.9L V8 MPI Engine
ERH = 4.0L Power Tech I-6
Engine

TRANSMISSION
DGK = 4-Spd. Automatic 42RE
Transmission
DGW = 4-Spd. Automatic 4RE
Transmission
DG0 = Transmissions - All Automatic

AR = use ase required - = Non illustrated part

1997 ZJ

Fuel Lines, Rear
Figure 14-340



| ITEM | PART NUMBER | QTY | LINE | SERIES | BODY | ENGINE | TRANS | TRIM | DESCRIPTION |
|------|-------------|-----|------|--------|------|---------------|-------|------|---|
| 1 | 52100232 | 1 | | | | ELO, EM0, ERO | | | TUBE, Fuel Supply |
| 2 | 52017980 | 1 | | | | ELO, EM0, ERO | | | TUBE, Fuel Vapor |
| 3 | 52007533 | 4 | | | | ELO, EM0, ERO | | | CLIP, Tube, 3 Way |
| 4 | 34202479 | 2 | | | | ELO, EM0, ERO | | | CLIP, Fuel Tube |
| 5 | 52100161 | 1 | | | | ELO, EM0, ERO | | | TUBE, Fuel Delivery |
| 6 | 52005110 | 1 | | | | ELO, EM0, ERO | | | TUBE, Fuel Vapor |
| 7 | 34202479 | 1 | | | | ELO, EM0, ERO | | | CLIP, Fuel Tube |
| 8 | 06101777 | 1 | | | | | | | SCREW, Hex Flange Head Tapping, M6x1.00x20.00 |

GRAND CHEROKEE (ZJ)

SERIES LINE
L = LOWLINE T = JEEP - 2WD
 J = JEEP - 4WD

BODY
74 = SPORT UTILITY 4-DR

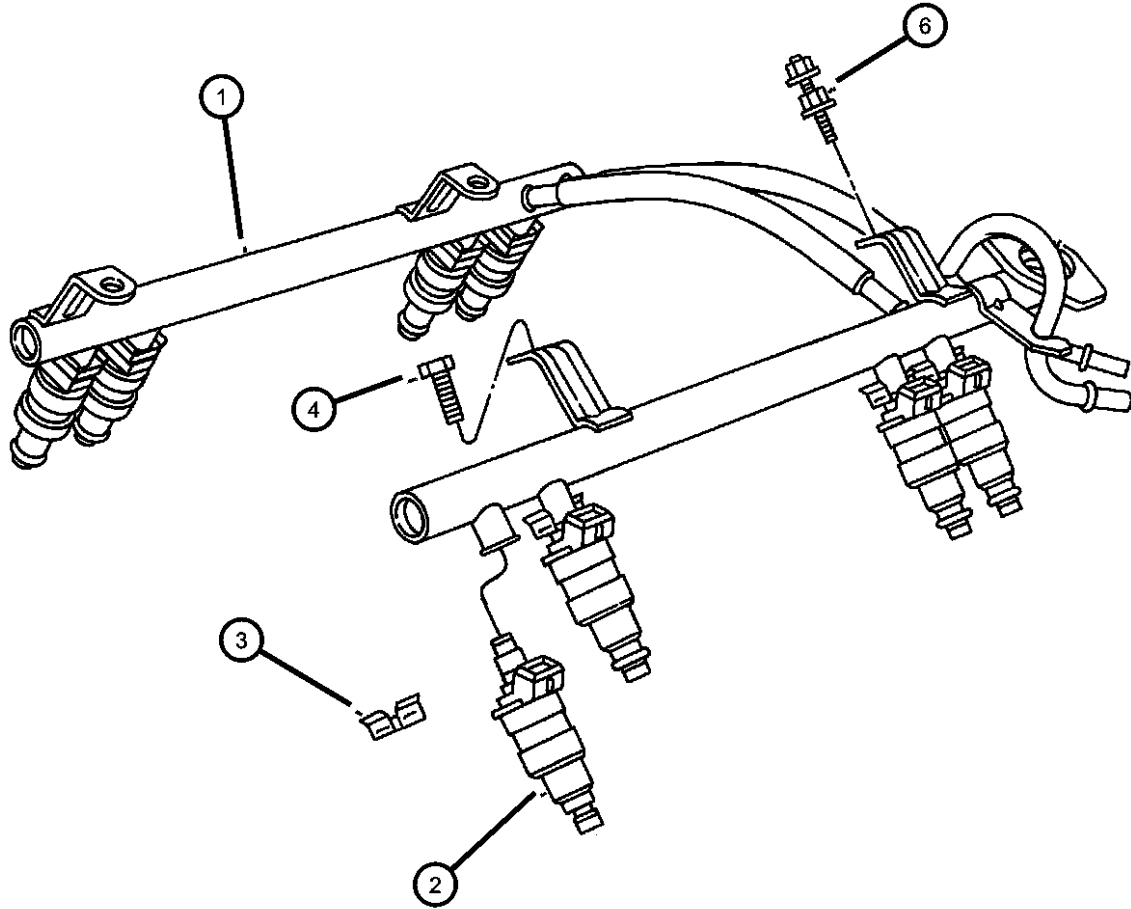
ENGINE
ELF = 5.2L V8 MPI Engine
EML = 5.9L V8 MPI Engine
ERH = 4.0L Power Tech I-6 Engine

TRANSMISSION
DGK = 4-Spd. Automatic 42RE Transmission
DGW = 4-Spd. Automatic 4RE Transmission
DG0 = Transmissions - All Automatic

AR = use ase required - = Non illustrated part

1997 ZJ

**Fuel Injection System
Figure 14-410**



| ITEM | PART NUMBER | QTY | LINE | SERIES | BODY | ENGINE | TRANS | TRIM | DESCRIPTION |
|------|-------------|-----|------|--------|------|----------|-------|------|-------------------------------------|
| 1 | 53030598 | 1 | | | | EL0, EM0 | | | RAIL, Fuel |
| | 53030699 | 1 | | | | ER0 | | | |
| 2 | 53030778 | 6 | | | | ER0 | | | INJECTOR, Fuel |
| | | 8 | | | | EL0, EM0 | | | |
| 3 | 04418257 | 6 | | | | ER0 | | | CLIP, Fuel Injector |
| | | 8 | | | | EL0, EM0 | | | |
| 4 | 06501979 | 3 | | | | ER0 | | | SCREW AND WASHER, Hex Head, M6x1x17 |
| -5 | 06035575 | 4 | | | | EL0, EM0 | | | SCREW AND WASHER, .312-18x.875 |
| 6 | 06502647 | 1 | | | | ER0 | | | STUD, M6x1.00x44 |
| -7 | 05018781AA | 1 | | | | ER0 | | | CAP, Diagnostic Port |
| -8 | 04897125AA | 6 | | | | ER0 | | | O RING KIT, Fuel Injector |
| | | 8 | | | | EL0, EM0 | | | |

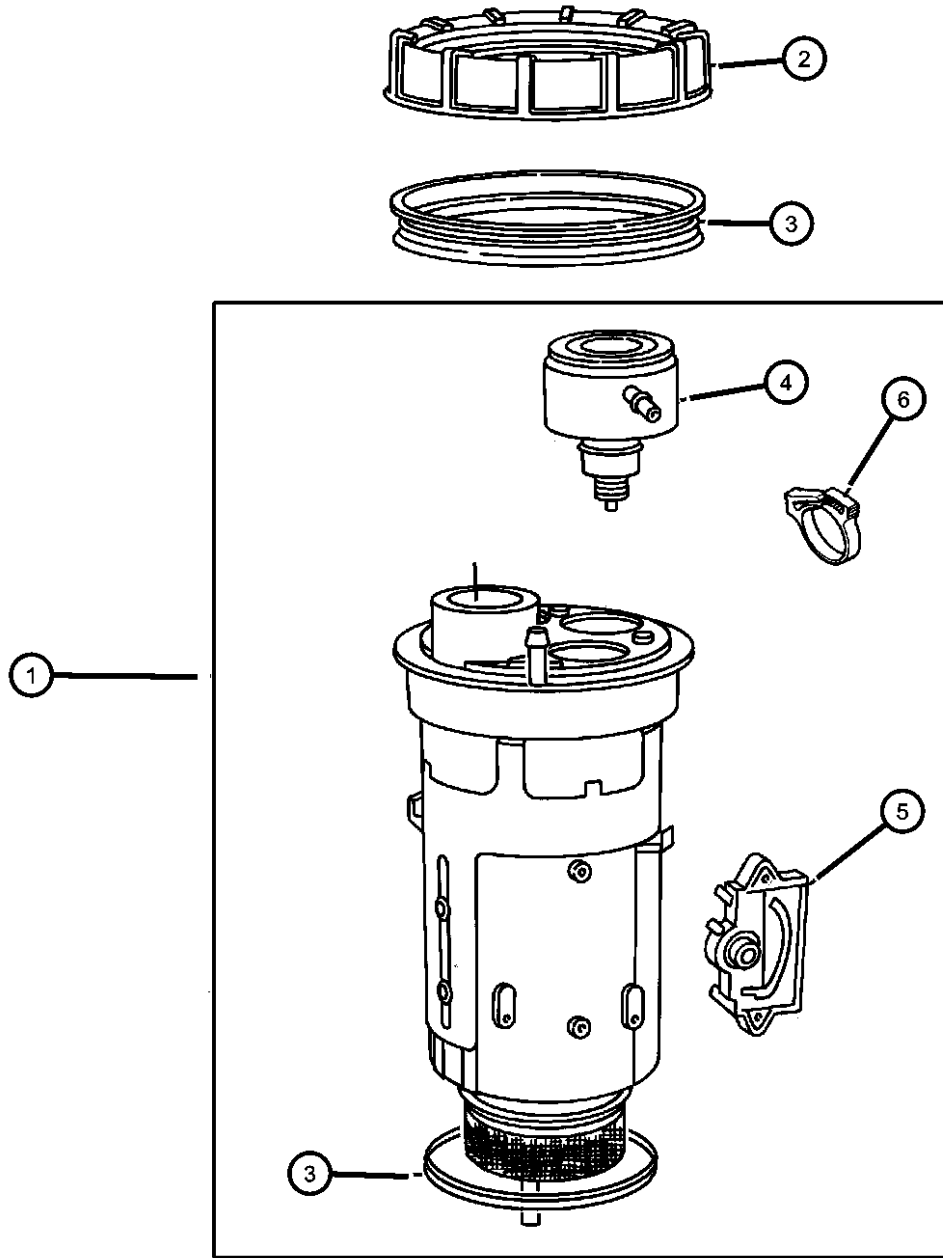
GRAND CHEROKEE (ZJ)

| | | | | |
|-------------|----------------------------------|-------------------------|--|--|
| SERIES | LINE | BODY | ENGINE | TRANSMISSION |
| L = LOWLINE | T = JEEP - 2WD J = JEEP - 4WD | 74 = SPORT UTILITY 4-DR | ELF = 5.2L V8 MPI Engine EML = 5.9L V8 MPI Engine ERH = 4.0L Power Tech I-6 Engine | DGK = 4-Spd. Automatic 42RE Transmission DGW = 4-Spd. Automatic 4RE Transmission DG0 = Transmissions - All Automatic |

AR = use ase required - = Non illustrated part

Fuel Module
Figure 14-520

| ITEM | PART NUMBER | QTY | LINE | SERIES | BODY | ENGINE | TRANS | TRIM | DESCRIPTION |
|------|-------------|-----|------|--------|------|------------------|-------|------|--|
| 1 | 04874172 | 1 | | | | EL0, EM0 | | | MODULE PACKAGE, Fuel Tank Module/w seal |
| | | 1 | | | | ER0 | | | Module/w seal |
| 2 | 52005389 | 1 | | | | EL0, EM0, ER0 | | | NUT, Fuel Pump Module |
| 3 | 52018808 | 1 | | | | EL0, EM0, ER0 | | | SEAL, Fuel Pump and Level Unit |
| 4 | 04798301 | 1 | | | | EL0, EM0 | | | FILTER, Fuel |
| | | 1 | | | | ER0 | | | |
| 5 | 05010176AA | 1 | | | | EL0, EM0 | | | BOARD PACKAGE, Fuel Level Circuit |
| | | 1 | | | | ER0 | | | |
| 6 | 04625797 | 1 | | | | EL0, EM0, ER0 | | | CLIP, Connector |



GRAND CHEROKEE (ZJ)

SERIES LINE
L = LOWLINE T = JEEP - 2WD
J = JEEP - 4WD

BODY
74 = SPORT UTILITY 4-DR

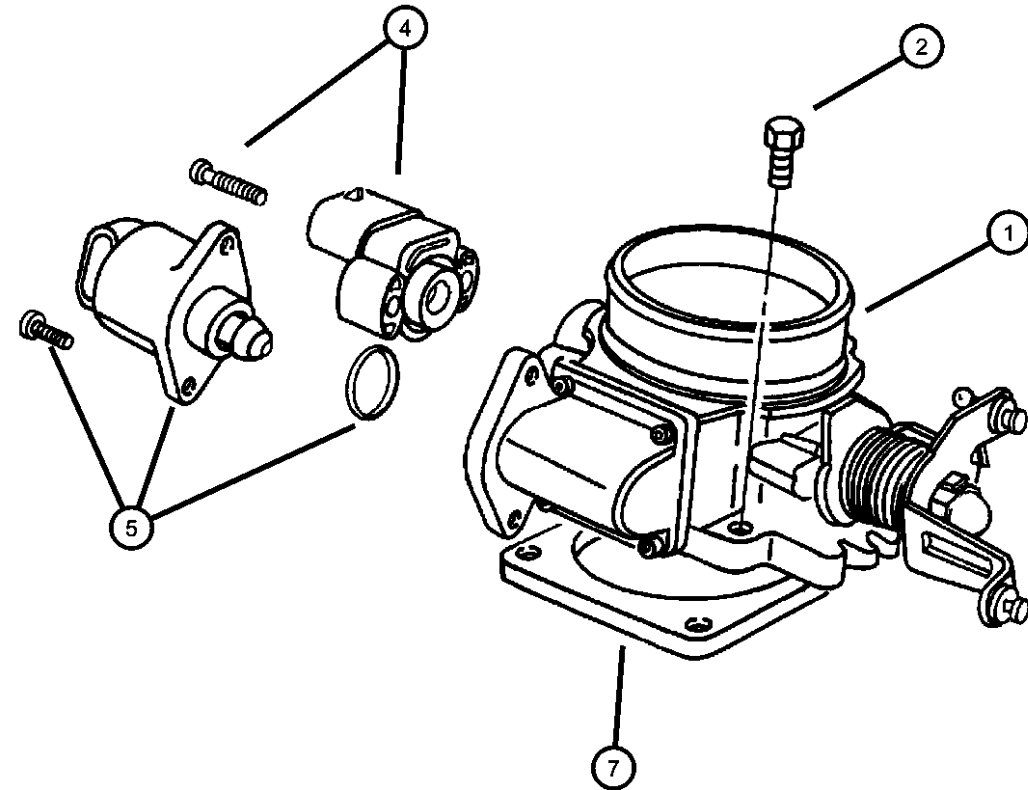
ENGINE
ELF = 5.2L V8 MPI Engine
EML = 5.9L V8 MPI Engine
ERH = 4.0L Power Tech I-6
Engine

TRANSMISSION
DGK = 4-Spd. Automatic 42RE
Transmission
DGW = 4-Spd. Automatic 4RE
Transmission
DG0 = Transmissions - All Automatic

AR = use ase required - = Non illustrated part

1997 ZJ

Throttle Body
Figure 14-610



| ITEM | PART NUMBER | QTY | LINE | SERIES | BODY | ENGINE | TRANS | TRIM | DESCRIPTION |
|------|-------------|-----|------|--------|------|----------|-------|------|--|
| 1 | | | | | | | | | THROTTLE BODY |
| | 53030807AB | 1 | | | | EL0, EM0 | | | w/Accelerator Cable Bracket |
| | 53032023AB | 1 | | | | ER0 | | | |
| 2 | 06503929 | 4 | | | | ER0 | | | SCREW AND WASHER, Coned Pilot, M6x1x30 |
| -3 | 06034356 | 4 | | | | EL0, EM0 | | | SCREW AND WASHER, Hex Head, .312-18x2.38 |
| 4 | | | | | | | | | SENSOR, Throttle Position |
| | 04874371 | 1 | | | | ER0 | | | |
| | 04882219 | 1 | | | | EL0, EM0 | | | |
| 5 | 53030657AB | 1 | | | | EL0, EM0 | | | MOTOR, A.I.S. |
| -6 | 04798377 | 1 | | | | ER0 | | | MOTOR, Auto Idle Speed |
| 7 | 53007543 | 1 | | | | ER0 | | | GASKET, Throttle Body |
| -8 | 53030541 | 1 | | | | EL0, EM0 | | | GASKET, Throttle Body To Intake |
| -9 | | | | | | | | | CONNECTOR, Emission Hose |
| | 53009672 | 1 | | | | ER0 | | | |
| | | 1 | J | | 74 | EL0, EM0 | | | |

GRAND CHEROKEE (ZJ)

SERIES LINE
L = LOWLINE T = JEEP - 2WD
J = JEEP - 4WD

BODY
74 = SPORT UTILITY 4-DR

ENGINE
ELF = 5.2L V8 MPI Engine
EML = 5.9L V8 MPI Engine
ERH = 4.0L Power Tech I-6 Engine

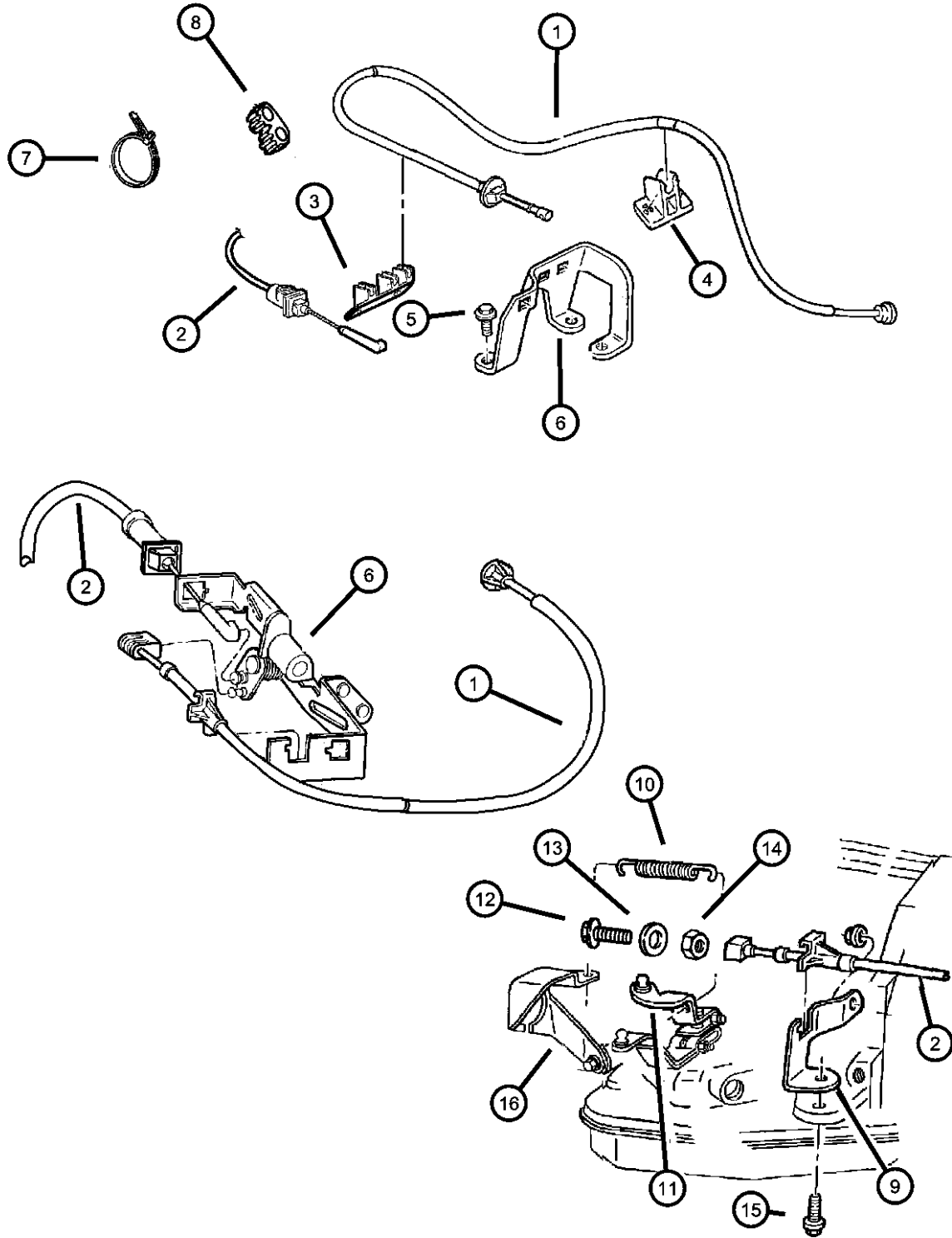
TRANSMISSION
DGK = 4-Spd. Automatic 42RE Transmission
DGW = 4-Spd. Automatic 4RE Transmission
DG0 = Transmissions - All Automatic

AR = use ase required - = Non illustrated part

1997 ZJ

Throttle Controls
Figure 14-720

| ITEM | PART NUMBER | QTY | LINE | SERIES | BODY | ENGINE | TRANS | TRIM | DESCRIPTION |
|------|-------------|-----|------|--------|------|---------------|----------|------|-------------------------------------|
| 1 | 04854098 | 1 | | | | ER0 | | | CABLE, Accelerator |
| | 53032349 | 1 | | | | EL0, EM0 | | | |
| 2 | 52079204 | 1 | | | | EL0, EM0 | DGW | | CABLE, Throttle Valve |
| | 52104031 | 1 | | | | ER0 | DGK | | |
| 3 | 52079029 | 1 | | | | ER0 | | | GUIDE, Accelerator Cable |
| 4 | 52078987 | 1 | | | | ER0 | | | GUIDE, Accelerator Cable |
| 5 | 06501979 | 3 | | | | ER0 | | | SCREW AND WASHER, Hex Head, M6x1x17 |
| 6 | 53007486 | 1 | | | | ER0 | | | BRACKET, Accelerator Cable |
| 7 | 56008876 | 1 | | | | | | | STRAP, Tie |
| 8 | J4005701 | 1 | | | | | DGK, DGW | | CLIP |
| 9 | 52078867 | 1 | | | | EL0, EM0, ER0 | DGK, DGW | | BRACKET, Cable |
| 10 | 53009055 | 1 | | | | | DG0 | | SPRING, Throttle Valve Return |
| 11 | 52078723 | 1 | | | | EL0, EM0, ER0 | DGK, DGW | | LEVER, Throttle Valve |
| 12 | 00181065 | 1 | | | | EL0, EM0, ER0 | DGK, DGW | | BOLT, Hex Head, .25-20x1.00 |
| 13 | 00138165 | 1 | | | | EL0, EM0, ER0 | DGK, DGW | | WASHER, Lock |
| 14 | 00219462 | 1 | | | | EL0, EM0, ER0 | DGK, DGW | | NUT, Hex, .250-20 |
| 15 | 00181112 | 1 | | | | | | | SCREW AND WASHER, .375-16x1.00 |
| 16 | 52078255 | 1 | | | | | DG0 | | BRACKET, Shift Cable |



GRAND CHEROKEE (ZJ)

SERIES LINE
L = LOWLINE T = JEEP - 2WD
J = JEEP - 4WD

BODY
74 = SPORT UTILITY 4-DR

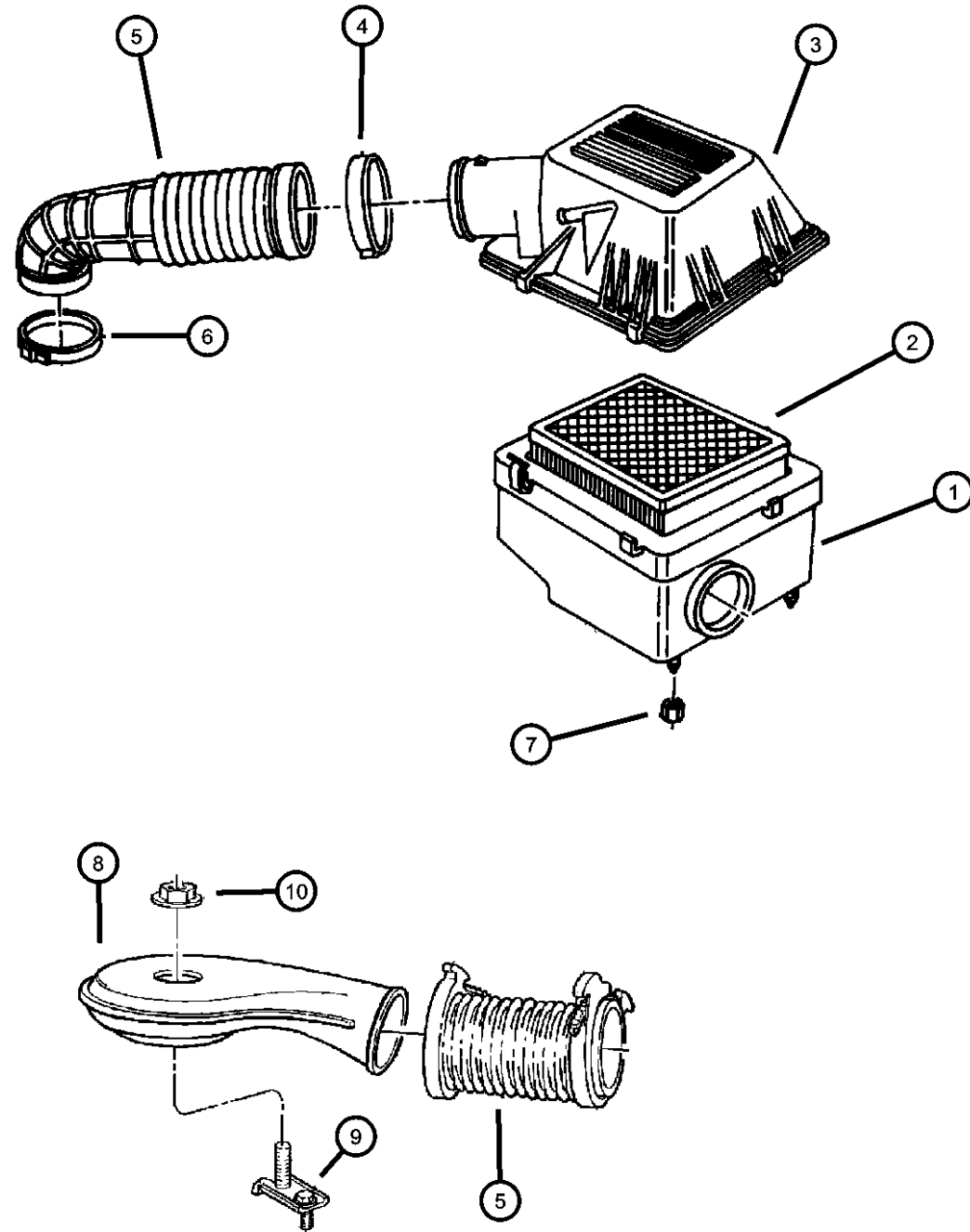
ENGINE
ELF = 5.2L V8 MPI Engine
EML = 5.9L V8 MPI Engine
ERH = 4.0L Power Tech I-6 Engine

TRANSMISSION
DGK = 4-Spd. Automatic 42RE Transmission
DGW = 4-Spd. Automatic 4RE Transmission
DG0 = Transmissions - All Automatic

AR = use ase required - = Non illustrated part

1997 ZJ

Air Cleaner
Figure 14-850



| ITEM | PART NUMBER | QTY | LINE | SERIES | BODY | ENGINE | TRANS | TRIM | DESCRIPTION |
|------|-------------|-----|------|--------|------|----------|-------|------|---|
| 1 | 53007385 | 1 | | | | EL0, EM0 | | | HOUSING, Air Cleaner |
| | | 1 | | | | ER0 | | | |
| 2 | 53007386 | 1 | | | | EL0, EM0 | | | FILTER, Air |
| | P4510475 | 1 | | | | ER0 | | | Performance Air Filter, WJ, 1999-2002, 4.7L |
| | P4510475 | 1 | | | | ER0 | | | Performance Air Filter, WJ, 1999-2002, 4.7L |
| 3 | 53030178 | 1 | | | | EL0, EM0 | | | COVER, Air Cleaner |
| | | 1 | | | | ER0 | | | |
| 4 | 53006584 | 1 | | | | ER0 | | | CLAMP, Hose to Air Cleaner |
| | | 2 | | | | EL0, EM0 | | | |
| 5 | 53007571 | 1 | | | | ER0 | | | HOSE, Air Cleaner to T/Body |
| | 53009268 | 1 | | | | EL0, EM0 | | | |
| 6 | 53006273 | 1 | | | | ER0 | | | CLAMP, Air Cleaner Duct |
| 7 | 53006273 | 1 | | | | | | | NUT, M8x1.25, (NOT SERVICED) |
| 8 | 53009266 | 1 | | | | EL0, EM0 | | | BONNET, Throttle Body Air Inlet |
| 9 | 53030693 | 1 | | | | EL0, EM0 | | | BRACKET, Throttle Body Bonnet |
| 10 | 53009267 | 1 | | | | EL0, EM0 | | | NUT, Insert, .250 x 20 |

GRAND CHEROKEE (ZJ)

SERIES LINE
L = LOWLINE T = JEEP - 2WD
 J = JEEP - 4WD

BODY
74 = SPORT UTILITY 4-DR

ENGINE
ELF = 5.2L V8 MPI Engine
EML = 5.9L V8 MPI Engine
ERH = 4.0L Power Tech I-6 Engine

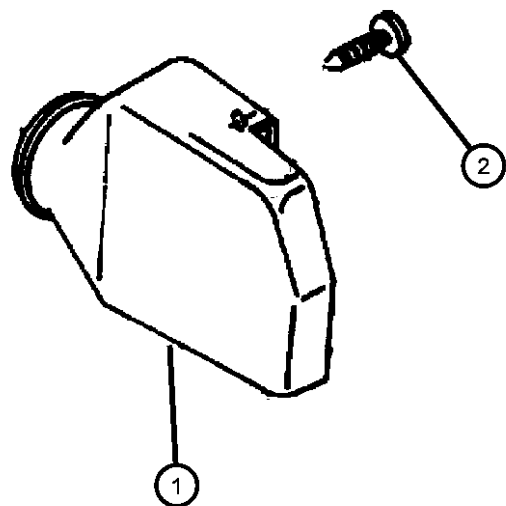
TRANSMISSION
DGK = 4-Spd. Automatic 42RE Transmission
DGW = 4-Spd. Automatic 4RE Transmission
DG0 = Transmissions - All Automatic

AR = use ase required - = Non illustrated part

1997 ZJ

Air Intake System
Figure 14-910

| ITEM | PART NUMBER | QTY | LINE | SERIES | BODY | ENGINE | TRANS | TRIM | DESCRIPTION |
|------|-------------|-----|------|--------|------|--------|-------|------|-------------------|
| 1 | 53007447 | 1 | | | | | | | DUCT, Ambient Air |
| 2 | 06030441 | 1 | | | | | | | PIN, Retainer |



GRAND CHEROKEE (ZJ)

SERIES LINE
L = LOWLINE T = JEEP - 2WD
 J = JEEP - 4WD

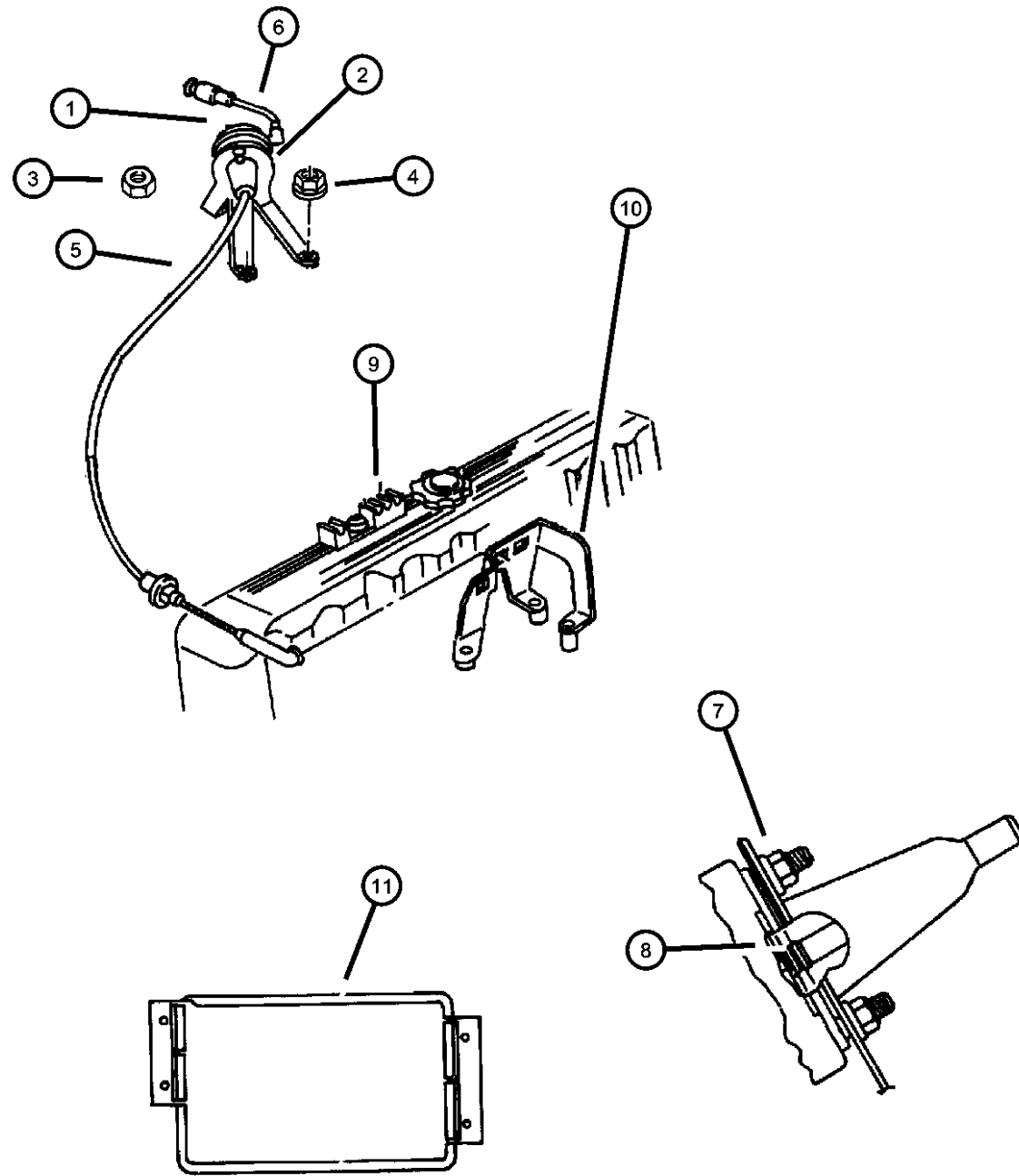
BODY
74 = SPORT UTILITY 4-DR

ENGINE
ELF = 5.2L V8 MPI Engine
EML = 5.9L V8 MPI Engine
ERH = 4.0L Power Tech I-6
Engine

TRANSMISSION
DGK = 4-Spd. Automatic 42RE
Transmission
DGW = 4-Spd. Automatic 4RE
Transmission
DG0 = Transmissions - All Automatic

AR = use ase required - = Non illustrated part

**Speed Control
Figure 14-1030**



| ITEM | PART NUMBER | QTY | LINE | SERIES | BODY | ENGINE | TRANS | TRIM | DESCRIPTION |
|------|-------------|-----|------|--------|------|------------------|-------|------|---------------------------------|
| 1 | | | | | | | | | SERVO, Speed Control |
| | 52079275 | 1 | | | | ER0 | | | |
| | | 1 | | | | ELO, EM0 | | | |
| 2 | | | | | | | | | BRACKET, Cruise Control Servo |
| | 52077997 | 1 | | | | ER0 | | | |
| | | 1 | | | | ELO, EM0 | | | |
| 3 | | 1 | | | | | | | NUT, M5x0.80, (NOT SERVICED) |
| 4 | | 1 | | | | | | | NUT, (NOT SERVICED) |
| 5 | | | | | | | | | CABLE, Speed Control |
| | 04854000 | 1 | | | | ELO, EM0 | | | |
| | 52078292 | 1 | | | | ER0 | | | |
| 6 | | | | | | | | | HARNESSES, Vacuum Speed Control |
| | 52078684 | 1 | | | | ER0 | | | |
| | | 1 | | | | ELO, EM0 | | | |
| 7 | | | | | | | | | NUT, Hex Flange Serration, M6x1 |
| | 06502493 | 2 | | | | ER0 | | | |
| | | 2 | | | | ELO, EM0 | | | |
| 8 | | | | | | | | | CLIP, Cable to Servo Attach |
| | 06025867 | 1 | | | | ER0 | | | |
| | | 1 | | | | ELO, EM0 | | | |
| 9 | 52079029 | 1 | | | | ER0 | | | GUIDE, Accelerator Cable |
| 10 | 53007486 | 1 | | | | ER0 | | | BRACKET, Accelerator Cable |
| 11 | 55035614 | 1 | | | | ELO, EM0, ER0 | | | RESERVOIR, Vacuum |
| -12 | 04549209 | 1 | | | | ELO, EM0 | | | VALVE PACKAGE, Check |

GRAND CHEROKEE (ZJ)

SERIES LINE
 L = LOWLINE T = JEEP - 2WD
 J = JEEP - 4WD

BODY
 74 = SPORT UTILITY 4-DR

ENGINE
 ELF = 5.2L V8 MPI Engine
 EML = 5.9L V8 MPI Engine
 ERH = 4.0L Power Tech I-6
 Engine

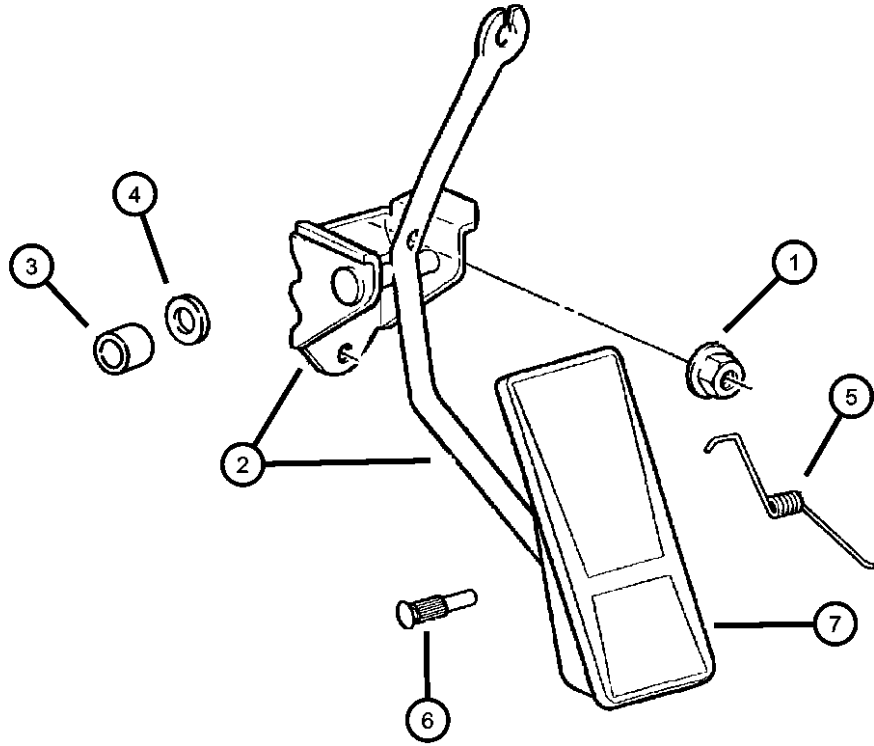
TRANSMISSION
 DGK = 4-Spd. Automatic 42RE
 Transmission
 DGW = 4-Spd. Automatic 4RE
 Transmission
 DG0 = Transmissions - All Automatic

AR = use ase required - = Non illustrated part

1997 ZJ

**Accelerator Pedal
Figure 14-1110**

| ITEM | PART NUMBER | QTY | LINE | SERIES | BODY | ENGINE | TRANS | TRIM | DESCRIPTION |
|------|-------------|-----|------|--------|------|--------|-------|------|----------------------------------|
| 1 | 34201680 | 2 | | | | | | | NUT, Hex Flange, M6x1 |
| 2 | 52078167 | 1 | | | | | | | PEDAL, Accelerator |
| 3 | J3171414 | 1 | | | | | | | BUSHING, Shift Fork |
| 4 | 06100876 | 2 | | | | | | | WASHER, Flat, M6.82x17.00x1.75 |
| 5 | 52078168 | 1 | | | | | | | SPRING, Accelerator Pedal Return |
| 6 | J3220231 | 1 | | | | | | | PIN, Accelerator Pedal Mtg. |
| 7 | 53003932 | 1 | | | | | | | PAD, Accelerator Pedal |



GRAND CHEROKEE (ZJ)

SERIES LINE
L = LOWLINE T = JEEP - 2WD
 J = JEEP - 4WD

BODY
74 = SPORT UTILITY 4-DR

ENGINE
ELF = 5.2L V8 MPI Engine
EML = 5.9L V8 MPI Engine
ERH = 4.0L Power Tech I-6 Engine

TRANSMISSION
DGK = 4-Spd. Automatic 42RE Transmission
DGW = 4-Spd. Automatic 4RE Transmission
DG0 = Transmissions - All Automatic

AR = use ase required - = Non illustrated part

Group - 16

Propeller Shafts and U-Joints

Group - 16 Propeller Shafts and U-Joints

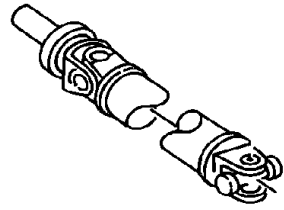
Group-Fig. No.

Illustration Title

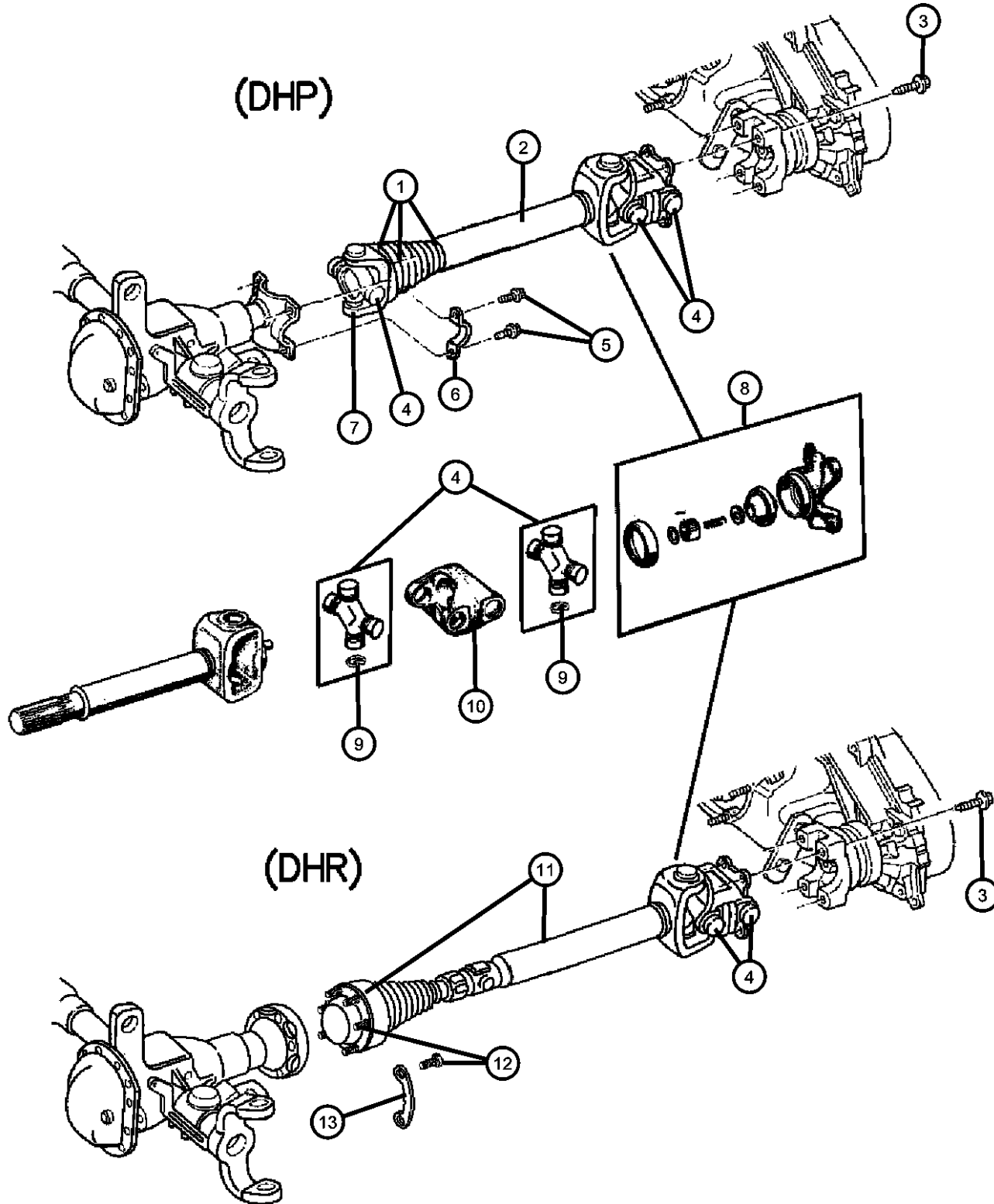
Propeller Shaft

| | |
|-----------------------------|---------------|
| Propeller Shaft, Front..... | Fig. 16 - 110 |
| Propeller Shaft, Rear | Fig. 16 - 120 |

| | | | | | | | |
|-----------------------------------|--|--|--|--|--|--|--|
| 016-100 Propeller Shaft | | | | | | | |
|-----------------------------------|--|--|--|--|--|--|--|



Propeller Shaft,Front
Figure 16-110



| ITEM | PART NUMBER | QTY | LINE | SERIES | BODY | ENGINE | TRANS | TRIM | DESCRIPTION |
|------|-------------|-----|------|--------|------|--------|-------|------|-------------|
|------|-------------|-----|------|--------|------|--------|-------|------|-------------|

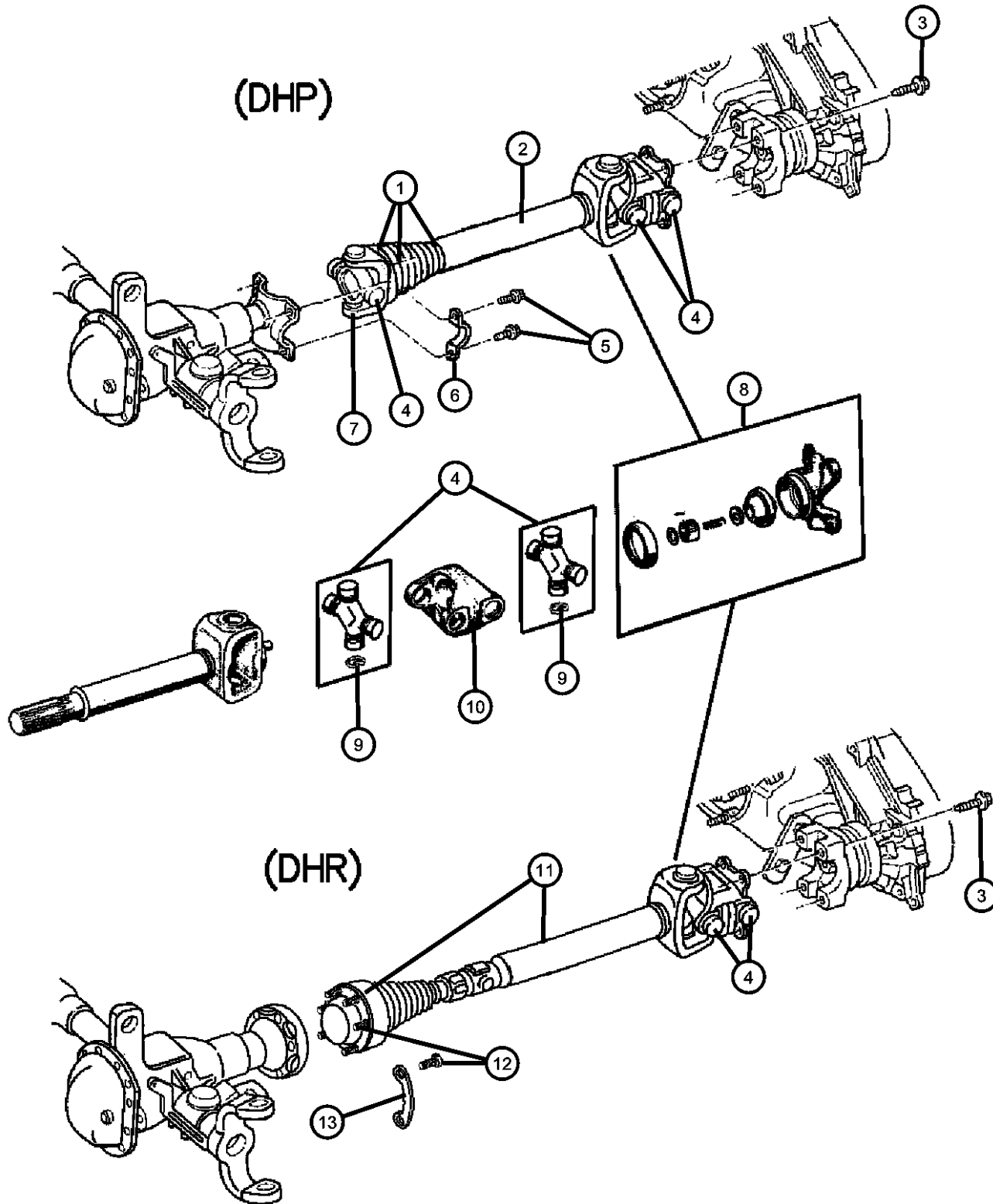
Note: Sales Codes;
 [DHP]=Select-Trac Full Time 4 WD System
 [DHR]=Quadra-Trac 'ON DEMAND' 4 WD System
 No internal Parts or Boot is serviced on The Front CV Style Joint, You Must Replace the Drive Shaft.

| | | | | | | | | | |
|----|------------|---|---|--|--|----------|-----|--|---|
| 1 | 05012793AA | 1 | J | | | ER0 | DGK | | BOOT, Driveshaft, [DHP] |
| 2 | 52098707 | 1 | J | | | ER0 | DGK | | SHAFT, Drive, [DHP] |
| 3 | 06034966 | 4 | J | | | | | | BOLT, .312-24x1.170, Prop Shaft to Transfer Case Yoke, Mounting U-JOINT |
| 4 | 04882793 | 3 | J | | | ER0 | DGK | | [DHP] |
| | | 2 | J | | | ER0 | DGK | | [DHR] |
| | | 2 | J | | | EL0, EM0 | DGW | | [DHR] |
| 5 | J4006928 | 4 | J | | | | | | BOLT, [DHP] Prop Shaft to Front Axle Yoke, Mounting |
| 6 | J3240553 | 2 | J | | | | | | STRAP, Prop Shaft, [DHP] Prop Shaft to Front Axle Yoke, Mounting |
| 7 | 05010030AA | 1 | J | | | ER0 | DGK | | YOKE, Drive Shaft, [DHP], Front |
| 8 | 04897484AA | 1 | J | | | ER0 | DGK | | SOCKET KIT, Yoke Centering |
| | | 1 | J | | | EL0, EM0 | DGW | | [DHR] |
| | | 1 | J | | | ER0 | DGK | | [DHP] |
| 9 | J3207886 | 4 | J | | | ER0 | DGK | | RING, U Joint |
| | | 4 | J | | | ER0 | DGK | | [DHP] |
| | | 4 | J | | | ER0 | DGK | | [DHR] |
| | | 4 | J | | | EL0, EM0 | DGW | | [DHR] |
| 10 | J8130296 | 1 | J | | | EL0, EM0 | DGW | | YOKE, Drive Shaft |
| | | 1 | J | | | ER0 | DGK | | [DHR] |
| | | 1 | J | | | ER0 | DGK | | [DHP] |
| 11 | 52098379 | 1 | J | | | EL0, EM0 | DGW | | SHAFT, Drive |
| | 52099260 | 1 | J | | | ER0 | DGK | | [DHR] |
| | | 1 | J | | | ER0 | DGK | | [DHR] |
| 12 | 06503407 | 6 | J | | | EL0, EM0 | DGW | | BOLT, Hex Head, M8x1.25x50 |
| | | 6 | J | | | ER0 | DGK | | [DHR] Prop Shaft to Front Axle Yoke, Mounting |
| | | 6 | J | | | ER0 | DGK | | [DHR] Prop Shaft to Front Axle Yoke, Mounting |
| 13 | | | | | | | | | WASHER |

| GRAND CHEROKEE (ZJ) | | BODY | ENGINE | TRANSMISSION |
|---------------------|----------------------------------|-------------------------|--|--|
| SERIES | LINE | 74 = SPORT UTILITY 4-DR | ELF = 5.2L V8 MPI Engine EML = 5.9L V8 MPI Engine ERH = 4.0L Power Tech I-6 Engine | DGK = 4-Spd. Automatic 42RE Transmission DGW = 4-Spd. Automatic 4RE Transmission DG0 = Transmissions - All Automatic |
| L = LOWLINE | T = JEEP - 2WD J = JEEP - 4WD | | | |

AR = use ase required - = Non illustrated part

Propeller Shaft, Front
Figure 16-110



| ITEM | PART NUMBER | QTY | LINE | SERIES | BODY | ENGINE | TRANS | TRIM | DESCRIPTION |
|------|-------------|-----|------|--------|------|--------|-------|------|-------------|
|------|-------------|-----|------|--------|------|--------|-------|------|-------------|

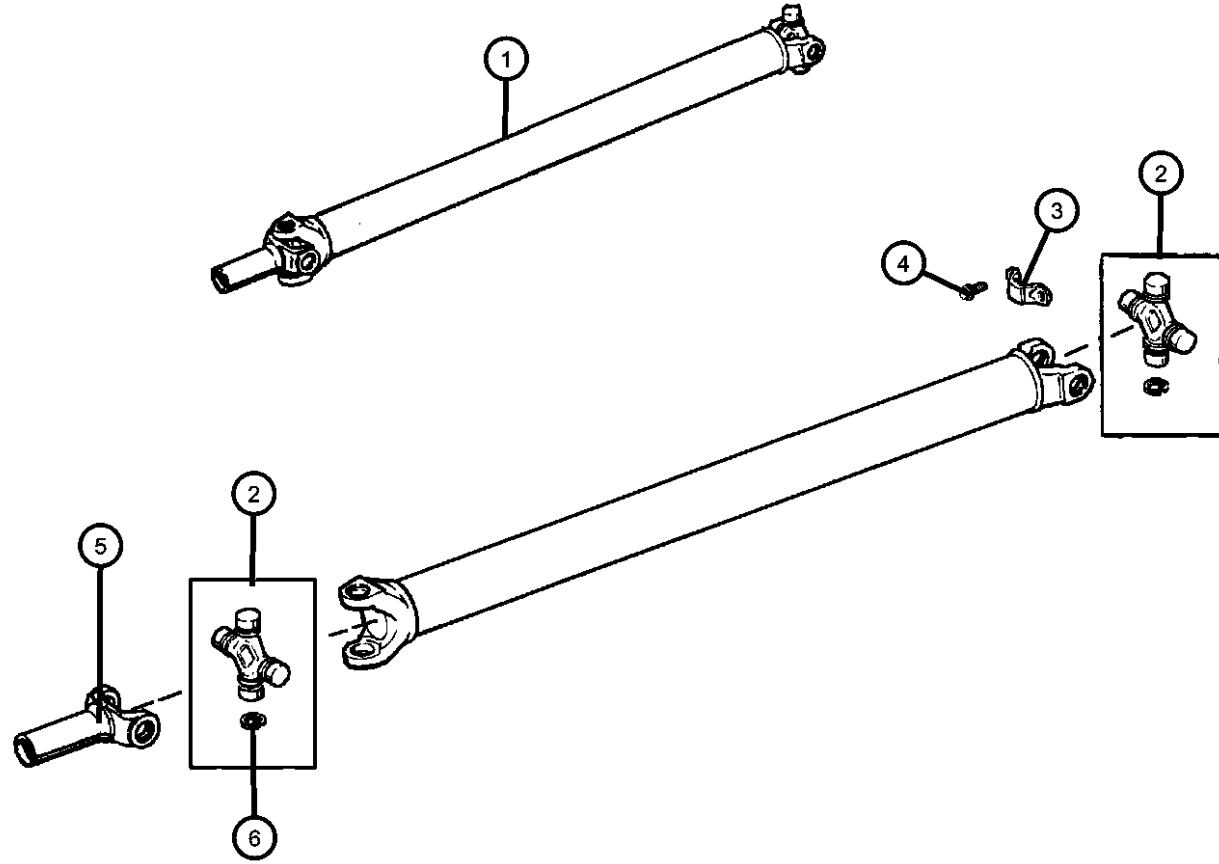
| | | | | | | | | | |
|--|----------|---|---|--|--|----------|-----|--|---|
| | 52098488 | 3 | J | | | EL0, EM0 | DGW | | [DHR] Prop Shaft to Front Axle Yoke, Mounting |
| | | 3 | J | | | ER0 | DGK | | [DHR] Prop Shaft to Front Axle Yoke, Mounting |

GRAND CHEROKEE (ZJ)

| SERIES | LINE | BODY | ENGINE | TRANSMISSION |
|-------------|----------------------------------|-------------------------|--|--|
| L = LOWLINE | T = JEEP - 2WD J = JEEP - 4WD | 74 = SPORT UTILITY 4-DR | ELF = 5.2L V8 MPI Engine EML = 5.9L V8 MPI Engine ERH = 4.0L Power Tech I-6 Engine | DGK = 4-Spd. Automatic 42RE Transmission DGW = 4-Spd. Automatic 4RE Transmission DG0 = Transmissions - All Automatic |

AR = use ase required - = Non illustrated part

Propeller Shaft,Rear
Figure 16-120



| ITEM | PART NUMBER | QTY | LINE | SERIES | BODY | ENGINE | TRANS | TRIM | DESCRIPTION |
|---|-------------|-----|------|--------|------|----------|-------|------|---|
| Note: Sales Codes: [DHP]=Select-Trac Full Time 4 WD System [DHR]=Quadra-Trac 'ON DEMAND' 4 WD System [DRJ]=Dana M35/194MM Rear Axle [DRK]=Dana 44/226MM Rear Axle [DRM]=Dana 35C/194MM Rear Axle | | | | | | | | | |
| 1 | | | | | | | | | SHAFT, Drive, Rear 1-Piece |
| | 52098702 | 1 | J | | | EL0, EM0 | DGW | | [DHR,DRK] |
| | 52098703 | 1 | J | | | ER0 | DGK | | [DHR,DRJ,DRM] |
| | 52098947AC | 1 | T | | | ER0 | DGK | | |
| | 52111704AC | 1 | T | | | EL0, EM0 | DG0 | | |
| | 52111910 | 1 | J | | | ER0 | DGK | | [DHP,DRJ,DRM] |
| 2 | | | | | | | | | U-JOINT |
| | 04882793 | 1 | J | | | ER0 | DGK | | [DHP,DRJ,DRM] |
| | | 2 | J | | | EL0, EM0 | DGW | | [DHR,DRK] |
| | | 2 | J | | | ER0 | DGK | | [DHR,DRJ,DRM] |
| | | 2 | T | | | ER0 | DGK | | |
| | | 2 | T | | | EL0, EM0 | DG0 | | |
| 3 | J3240553 | 2 | | | | | | | STRAP, Prop Shaft, to Rear Axle, Mounting |
| 4 | J4006928 | 4 | | | | | | | BOLT, to Rear Axle, Mounting |
| 5 | | | | | | | | | YOKE, Drive Shaft |
| | 04874052 | 1 | J | | | ER0 | DGK | | [DHR,DRJ,DRM] |
| | | 1 | J | | | EL0, EM0 | DGW | | [DHR,DRK] |
| | 04882714 | 1 | J | | | ER0 | DGK | | [DHP,DRJ,DRM] |
| | 05010030AA | 1 | T | | | EL0, EM0 | DG0 | | |
| | | 1 | T | | | ER0 | DGK | | |
| 6 | | | | | | | | | RING, U Joint |
| | J3207886 | 4 | J | | | EL0, EM0 | DGW | | [DHR,DRK] |
| | | 4 | J | | | ER0 | | | [DHR,DRJ,DRM] |
| | | 4 | T | | | ER0 | DGK | | |
| | | 4 | J | | | ER0 | DGK | | [DHP,DRJ,DRM] |
| | | 4 | T | | | EL0, EM0 | DG0 | | |

GRAND CHEROKEE (ZJ)

SERIES LINE
 L = LOWLINE T = JEEP - 2WD
 J = JEEP - 4WD

BODY
 74 = SPORT UTILITY 4-DR

ENGINE
 ELF = 5.2L V8 MPI Engine
 EML = 5.9L V8 MPI Engine
 ERH = 4.0L Power Tech I-6 Engine

TRANSMISSION
 DGK = 4-Spd. Automatic 42RE Transmission
 DGW = 4-Spd. Automatic 4RE Transmission
 DG0 = Transmissions - All Automatic

AR = use ase required - = Non illustrated part

Group - 17

Rear Suspension

Group - 17 Rear Suspension

Group-Fig. No.

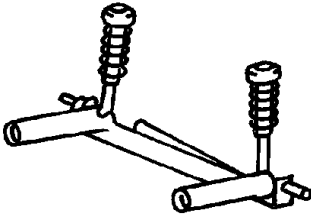
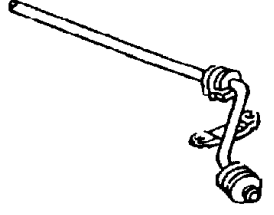
Illustration Title

Rear Suspension

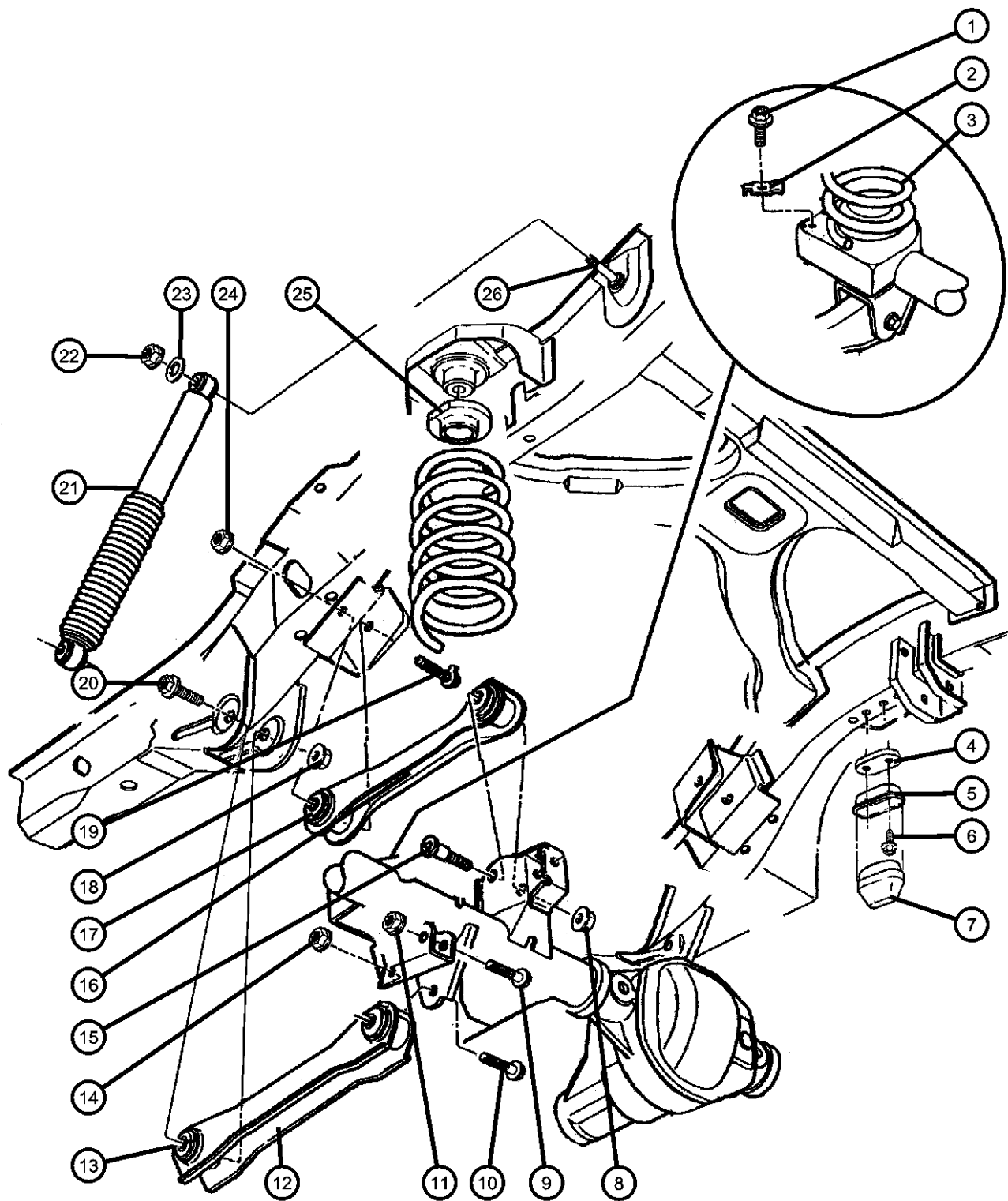
Suspension,Rear,Springs,ShocksFig. 17 - 110

Rear Stabilizer

Stabilzer,Rear and Track Bar.....Fig. 17 - 210

| | | | |
|--|---|--|--|
| <p>017-100 Rear Suspension</p>  | <p>017-200 Rear Stabilizer</p>  | | |
|--|---|--|--|

Suspension,Rear,Springs,Shocks
Figure 17-110



| ITEM | PART NUMBER | QTY | LINE | SERIES | BODY | ENGINE | TRANS | TRIM | DESCRIPTION |
|------|-------------|-----|------|--------|------|--------|-------|------|--|
| 1 | 06502468 | 2 | J | | 74 | | | | SCREW, Hex Flange Head, M8x1.25x20 |
| 2 | 52005917 | 2 | J | | 74 | | | | BRACKET, Spring, Holddown |
| 3 | | | | | | | | | SPRING, Rear Coil |
| | 52088364 | 1 | | | | | | | [ZJR,ZXR] |
| | 52089142 | 1 | | | | | | | [ZJS,ZXS] |
| | 52089143 | 1 | | | | | | | [ZJT,ZXT] |
| | 52089144 | 1 | | | | | | | [ZJU,ZXU] |
| | 52089145 | 1 | | | | | | | [ZJV,ZXV] |
| 4 | | | | | | | | | SPACER, Jounce Bumper |
| | 52005645 | 2 | J | | | | | | [SDU] |
| | 52087675 | 2 | T | | | | | | [SDA] |
| 5 | 52088380 | 2 | | | | | | | CUP, Jounce Bumper |
| 6 | | | | | | | | | BOLT |
| | 06502656 | 4 | J | | | | | | [-SDU] |
| | 06502657 | 4 | T | | | | | | [+SDU] |
| | | 4 | J | | | | | | [+SDU] |
| 7 | 52087993 | 2 | | | | | | | BUMPER, Jounce |
| 8 | 06502696 | 4 | J | | 74 | | | | NUT, Hex Flange Lock, M14x1.50 |
| 9 | 06502473 | 2 | T | | 74 | | | | BOLT, Hex Flange Head, M12x1.75x65 |
| 10 | 06502963 | 2 | J | | 74 | | | | BOLT, Hex Flange Head, M14x2.00x105.00 |
| 11 | 06502697 | 2 | | | | | | | NUT, Hex Flange Lock, M12x1.75 |
| 12 | 52088521 | 2 | | | | | | | ARM, ControlRear Lower |
| 13 | | | | | | | | | BUSHING, Control Arm |
| | 52038026 | 2 | | | | | | | to Body, Rear Lower |
| | 52087720 | 2 | | | | | | | to Axle, Rear Lower |
| 14 | 06502698 | 4 | | | | | | | NUT, Hex Flange Lock |
| 15 | 06502469 | 2 | J | | 74 | | | | SCREW, Truss Head, M10x1.5x75 |
| 16 | 52088520 | 2 | | | | | | | ARM, ControlRear Upper |
| 17 | 52087709 | 4 | | | | | | | BUSHING, Control ArmRear Upper |
| 18 | 06502698 | 2 | | | | | | | NUT, Hex Flange Lock |
| 19 | 06503085 | 2 | T | | 74 | | | | BOLT, Hex Flange Head, M10x1.50x78.20 |
| 20 | 06502963 | 2 | J | | 74 | | | | BOLT, Hex Flange Head, M14x2.00x105.00 |

GRAND CHEROKEE (ZJ)

SERIES LINE
L = LOWLINE T = JEEP - 2WD
J = JEEP - 4WD

BODY
74 = SPORT UTILITY 4-DR

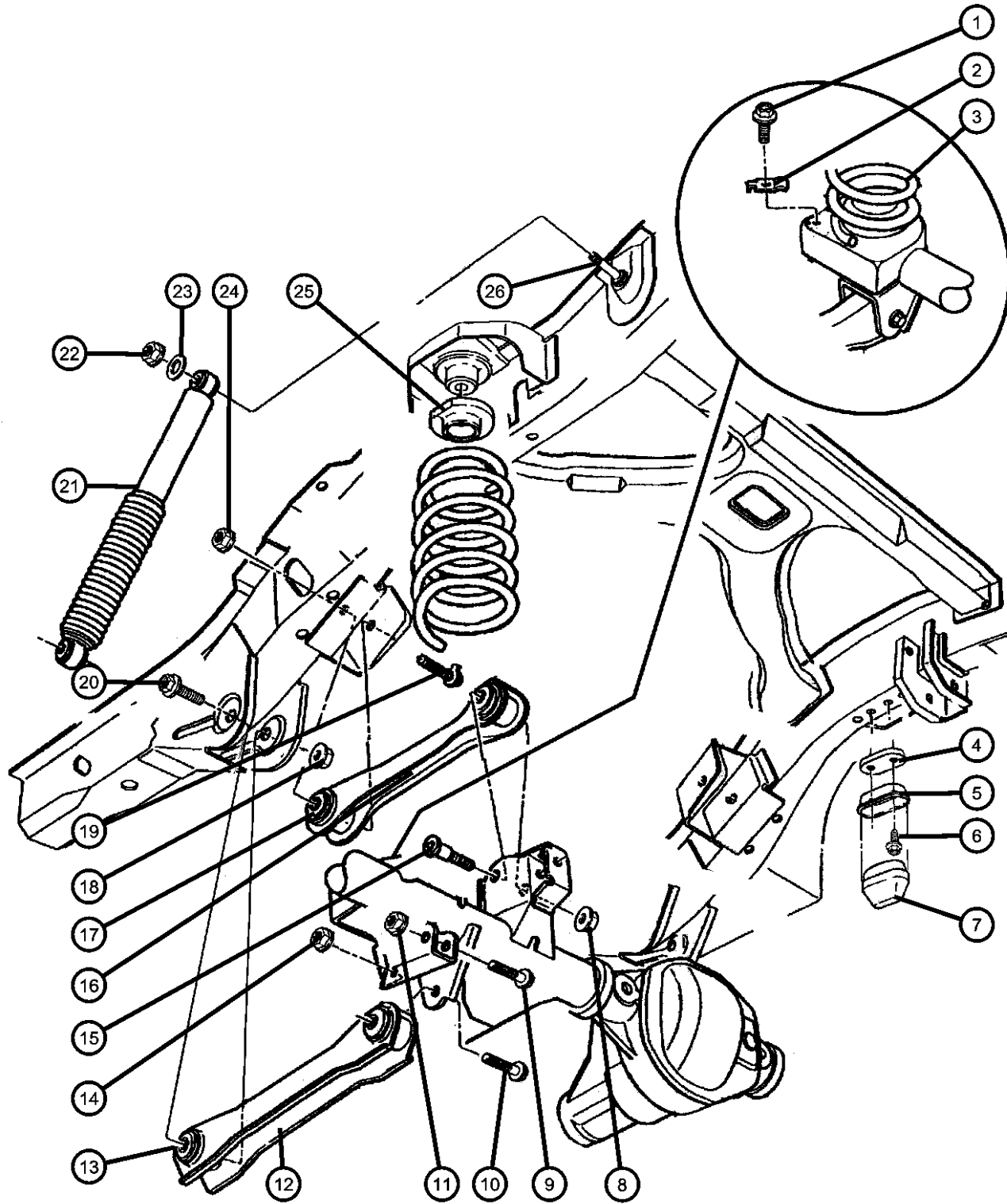
ENGINE
ELF = 5.2L V8 MPI Engine
EML = 5.9L V8 MPI Engine
ERH = 4.0L Power Tech I-6 Engine

TRANSMISSION
DGK = 4-Spd. Automatic 42RE Transmission
DGW = 4-Spd. Automatic 4RE Transmission
DG0 = Transmissions - All Automatic

AR = use ase required - = Non illustrated part

1997 ZJ

Suspension,Rear,Springs,Shocks
Figure 17-110



| ITEM | PART NUMBER | QTY | LINE | SERIES | BODY | ENGINE | TRANS | TRIM | DESCRIPTION |
|------|--|--------|------|--------|------|--------|-------|------|--|
| 21 | 52088202AC OSGR5259 OSG23163 52088578 OSGR5259 OSG23269 | 2 | | | | | | | SHOCK ABSORBER, Suspension [SDU] Rancho Shock Mopar V-Line Alternative Part [SDA] Rancho Shock Mopar V-Line Alternative Part |
| 22 | 06502697 | 2 | | | | | | | NUT, Hex Flange Lock, M12x1.75 |
| 23 | 06502697 | 2 | | | | | | | WASHER, Flat, I.D.13.07 x O.D.35.00 x THK. 3.50, (NOT SERVICED) |
| 24 | 06502696 | 4 | J | | 74 | | | | NUT, Hex Flange Lock, M14x1.50 |
| 25 | 52088379 52088398 | 1 2 | | | | | | | ISOLATOR, Spring [-SDU], Left [+SDU], Right And Left |
| | | 1 | | | | | | | [-SDU], Right |
| 26 | 55033077 | 2 | | | | | | | SHAFT, Rear Shock Mount, Upper, Right or Left |

GRAND CHEROKEE (ZJ)

SERIES LINE
L = LOWLINE T = JEEP - 2WD
J = JEEP - 4WD

BODY
74 = SPORT UTILITY 4-DR

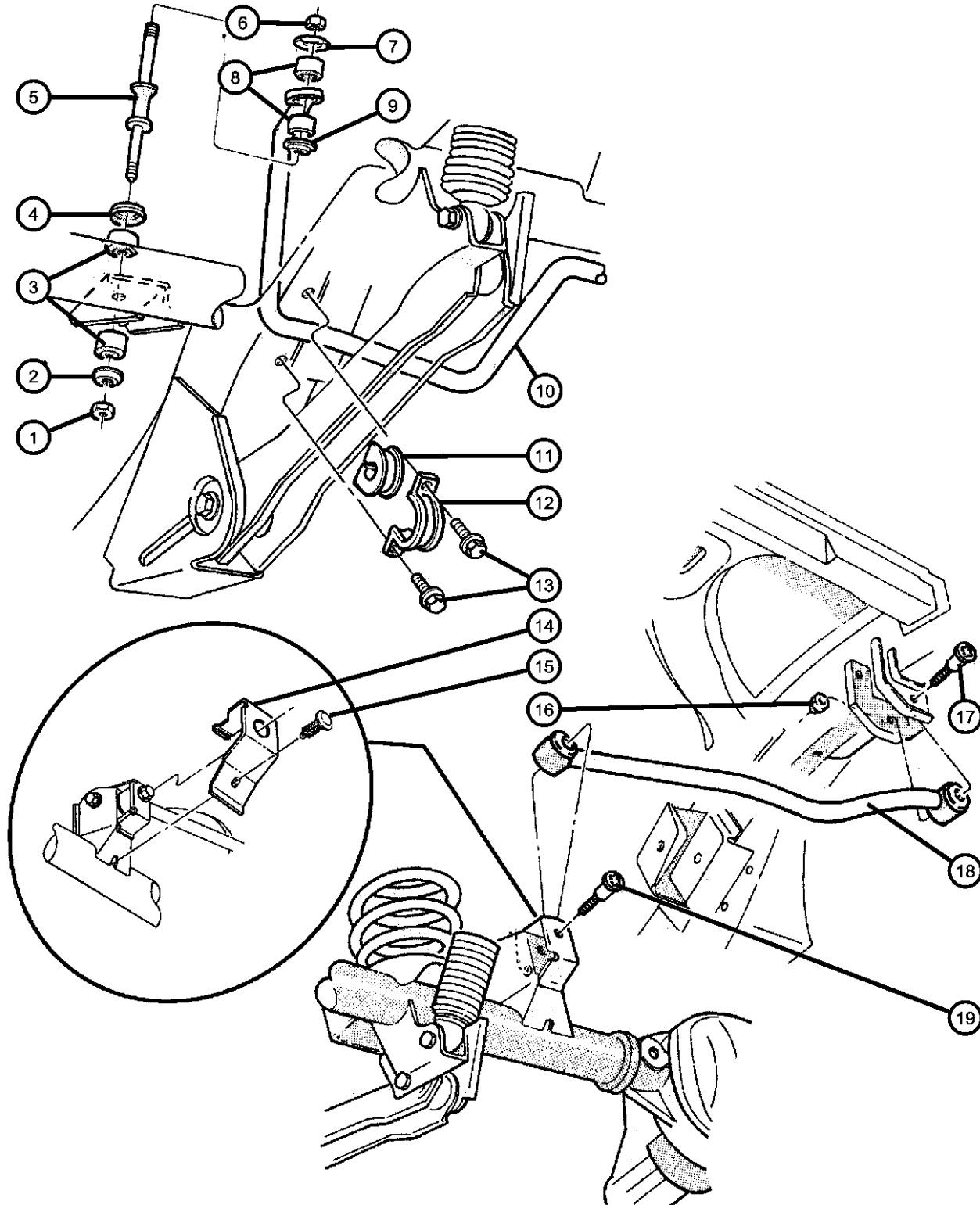
ENGINE
ELF = 5.2L V8 MPI Engine
EML = 5.9L V8 MPI Engine
ERH = 4.0L Power Tech I-6
Engine

TRANSMISSION
DGK = 4-Spd. Automatic 42RE
Transmission
DGW = 4-Spd. Automatic 4RE
Transmission
DG0 = Transmissions - All Automatic

AR = use ase required - = Non illustrated part

1997 ZJ

**Stabilizer,Rear and Track Bar
Figure 17-210**



| ITEM | PART NUMBER | QTY | LINE | SERIES | BODY | ENGINE | TRANS | TRIM | DESCRIPTION |
|------|-------------|-----|------|--------|------|--------|-------|------|--|
| 1 | 06101687 | 4 | | | | | | | NUT, Hex Lock, M10x1.5, Sway Bar to Link Mounting, Lower |
| 2 | 52087668 | 8 | | | | | | | RETAINER, Stabilizer Bar Grommet, to Link Mounting, Lower |
| 3 | 52087955 | 4 | | | | | | | GROMMET, Stabilizer Bar, to Link Mounting, Lower |
| 4 | 52087668 | 8 | | | | | | | RETAINER, Stabilizer Bar Grommet, to Link Mounting, Lower |
| 5 | 52005638 | 2 | | | | | | | LINK, Sway Eliminator |
| 6 | 06101687 | 4 | | | | | | | NUT, Hex Lock, M10x1.5, Sway Bar to Link Mounting, Upper |
| 7 | 52087668 | 8 | | | | | | | RETAINER, Stabilizer Bar Grommet, to Link Mounting, Upper |
| 8 | 52001132 | 4 | | | | | | | GROMMET, Stabilizer Bar, to Link Mounting, Upper |
| 9 | 52087668 | 8 | | | | | | | RETAINER, Stabilizer Bar Grommet, to Link Mounting, Upper |
| 10 | 52005635 | 1 | | | | | | | BAR, Rear Sway |
| 11 | 52006289 | 2 | | | | | | | BUSHING, Stabilizer Bar, to Sill Mounting |
| 12 | 52087865 | 2 | | | | | | | RETAINER, Stabilizer Bar Grommet, to Sill Mounting |
| 13 | 06101972 | 4 | | | | | | | SCREW AND WASHER, Sway Bar Retainer to Sill Mounting |
| 14 | 52018347 | 1 | | | | | | | COVER, Track Bar Bracket |
| 15 | 06030441 | 1 | | | | | | | PIN, Retainer, Track Bar Bracket Cover |
| 16 | 06502697 | 1 | | | | | | | NUT, Hex Flange Lock, M12x1.75, Track Bar to Sill Mounting |
| 17 | 06502558 | 1 | | | | | | | SCREW, Track Bar to Sill Mounting |
| 18 | 52087968 | 1 | | | | | | | TRACK BAR, Rear |
| 19 | 06502883 | 1 | | | | | | | SCREW, Truss Head, M12x1.75x80, Track Bar to Axle Mounting |

GRAND CHEROKEE (ZJ)

SERIES LINE
 L = LOWLINE T = JEEP - 2WD
 J = JEEP - 4WD

BODY
 74 = SPORT UTILITY 4-DR

ENGINE
 ELF = 5.2L V8 MPI Engine
 EML = 5.9L V8 MPI Engine
 ERH = 4.0L Power Tech I-6 Engine

TRANSMISSION
 DGK = 4-Spd. Automatic 42RE Transmission
 DGW = 4-Spd. Automatic 4RE Transmission
 DG0 = Transmissions - All Automatic

AR = use ase required - = Non illustrated part

Group - 19

Steering

Group - 19 Steering

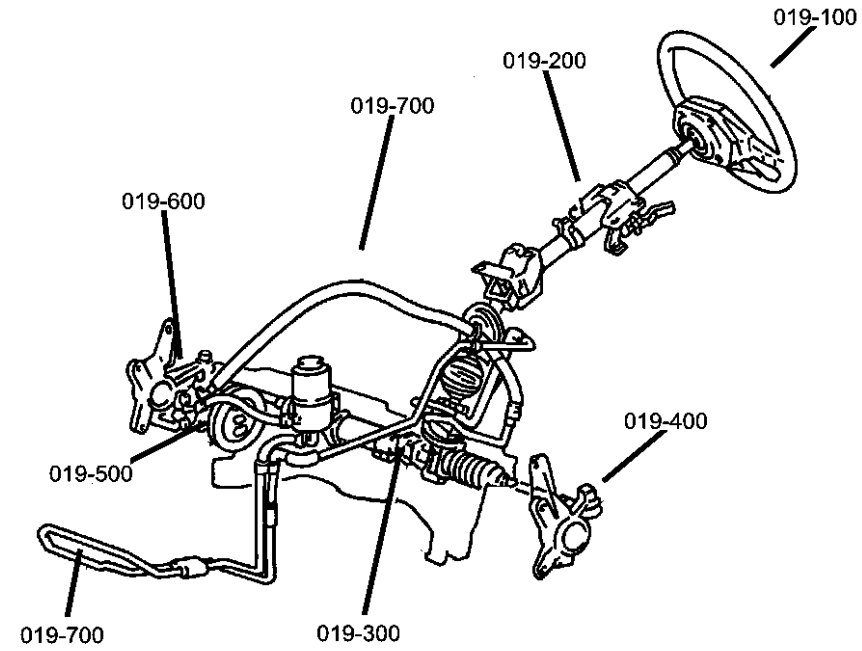


Illustration Title

Group-Fig. No.

Steering Wheel

Wheel,Steering Fig. 19 - 110

Steering Column

Column,Steering Upper And Lower..... Fig. 19 - 210

Steering Gear

Gear,Power Steering..... Fig. 19 - 310

Steering Linkage

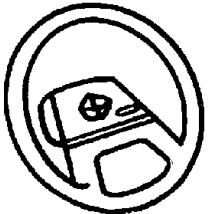
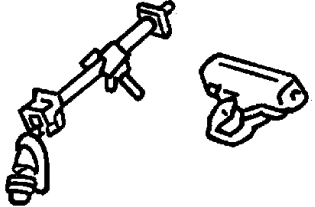
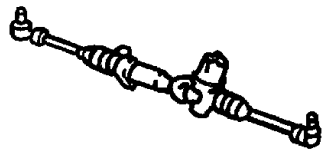
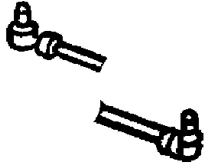
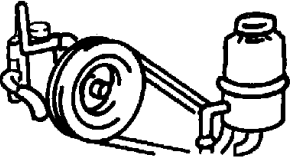
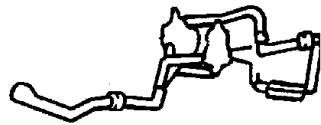
Linkage And Damper Fig. 19 - 410

Power Steering Pump

Pump,Power Steering,and Mounting Fig. 19 - 510

Power Steering Hoses

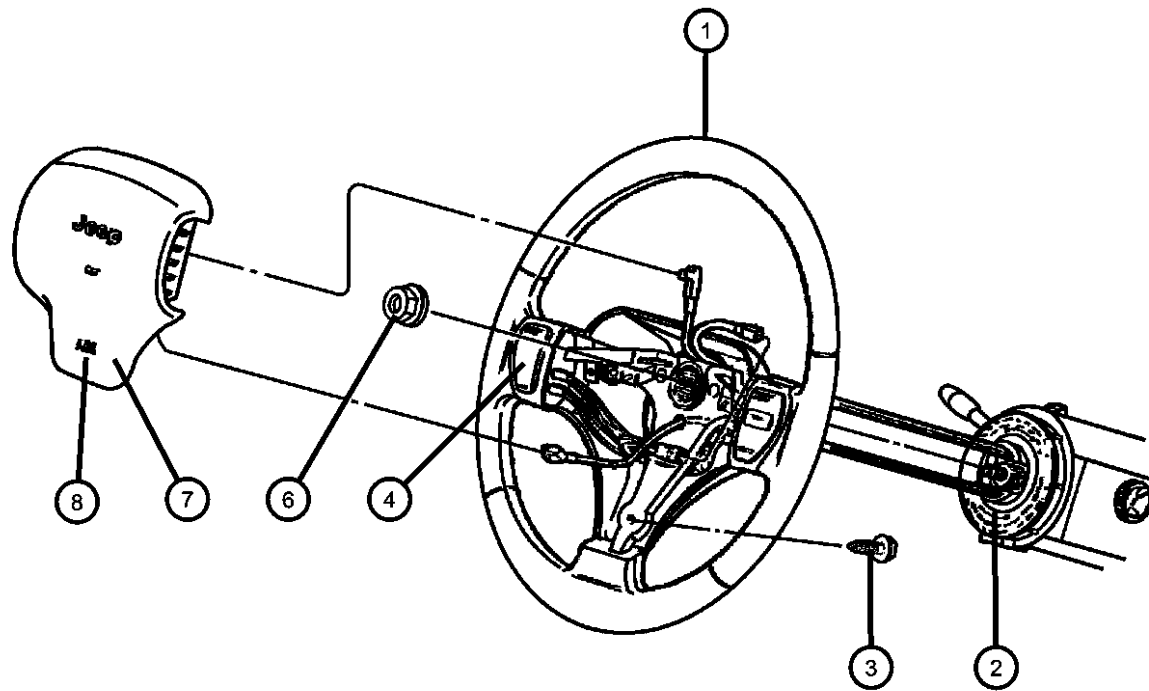
Hoses,Power Steering Fig. 19 - 710

| | | | |
|--|--|--|--|
| <p>019-100 Steering Wheel</p>  | <p>019-200 Steering Column</p>  | <p>019-300 Steering Gear</p>  | <p>019-400 Steering Linkage</p>  |
| <p>019-500 Power Steering Pump</p>  | <p>019-700 Power Steering Hoses</p>  | | |

Wheel,Steering
Figure 19-110

| ITEM | PART NUMBER | QTY | LINE | SERIES | BODY | ENGINE | TRANS | TRIM | DESCRIPTION |
|------|-------------|-----|------|--------|------|--------|-------|------|-------------|
|------|-------------|-----|------|--------|------|--------|-------|------|-------------|

Note:If Horn Switch is defective, you must replace the AIR BAG COVER WITH SWITCH and not the AIR BAG MODULE ASSEMBLY itself.
 Note:SBC=Speed Sensitive Steering—SCL= Steering Wheel-Leather Wrapped—SCV=Steering Wheel-Leather Wrapped



| | | | | | | | | | |
|----|----------|---|--|--|--|--|--|--|--|
| 1 | | | | | | | | | WHEEL, Steering |
| | 5FU30SX9 | 1 | | | | | | | [SCL] |
| | 5FU31SX9 | 1 | | | | | | | [SCV] |
| 2 | | | | | | | | | CLOCKSPRING |
| | 56042107 | 1 | | | | | | | [+SBC] |
| | 56042128 | 1 | | | | | | | [-SBC] |
| 3 | 06503953 | 3 | | | | | | | SCREW, Air Bag to Steering Wheel Mounting |
| 4 | | | | | | | | | SWITCH, Speed Control |
| | 56007336 | 1 | | | | | | | [SCV], Right |
| | 56007337 | 1 | | | | | | | [SCV], Left |
| -5 | 56008889 | 1 | | | | | | | WIRING, Speed Control Switch Jumper, [SCV] |
| 6 | 06500906 | 1 | | | | | | | NUT, Hex Flange Lock, M14x1.5, Steering Wheel Mounting |
| 7 | 5DU39SX8 | 1 | | | | | | | AIR BAG, Driver |
| 8 | 04856623 | 1 | | | | | | | COVER, Air Bag Module, Includes Horn Switch |
| -9 | | | | | | | | | SWITCH, Remote Radio |
| | 56007338 | 1 | | | | | | | [SCL], Right |
| | 56007339 | 1 | | | | | | | [SCL], Left |

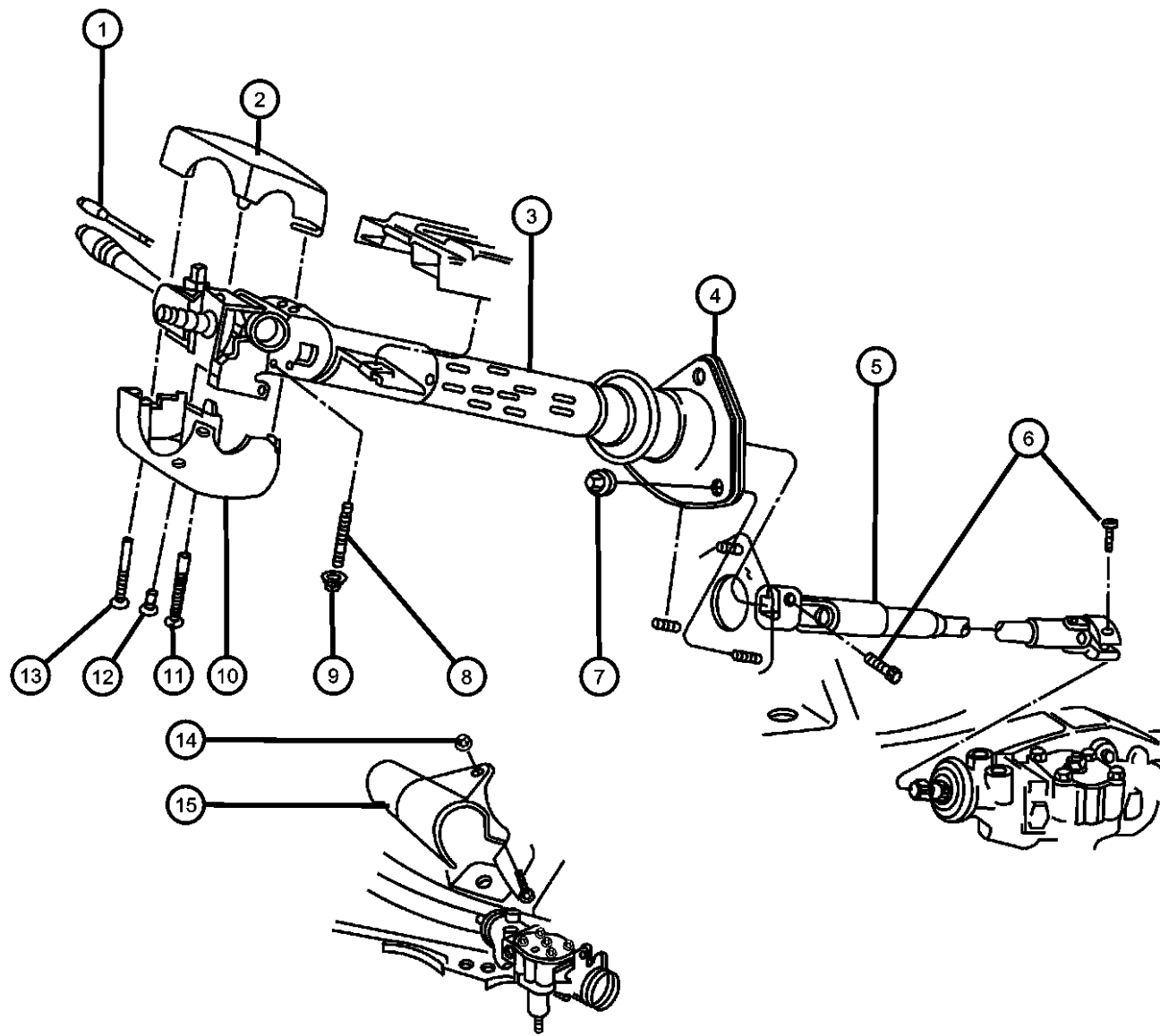
GRAND CHEROKEE (ZJ)

| SERIES | LINE | BODY | ENGINE | TRANSMISSION |
|-------------|----------------------------------|-------------------------|--|--|
| L = LOWLINE | T = JEEP - 2WD J = JEEP - 4WD | 74 = SPORT UTILITY 4-DR | ELF = 5.2L V8 MPI Engine EML = 5.9L V8 MPI Engine ERH = 4.0L Power Tech I-6 Engine | DGK = 4-Spd. Automatic 42RE Transmission DGW = 4-Spd. Automatic 4RE Transmission DG0 = Transmissions - All Automatic |

AR = use ase required - = Non illustrated part

1997 ZJ

**Column,Steering Upper And Lower
Figure 19-210**



| ITEM | PART NUMBER | QTY | LINE | SERIES | BODY | ENGINE | TRANS | TRIM | DESCRIPTION |
|------|-------------|-----|------|--------|------|--------|-------|------|---|
| 1 | 04470103 | 1 | | | | | | | LEVER, Tilt Column Release |
| 2 | 55115712 | 1 | | | | | | | SHROUD, Lock HousingUpper |
| 3 | 04864354 | 1 | | | | | | | COLUMN, Steering, Tilt |
| 4 | 52078854 | 1 | | | | | | | PLATE, Steering Column |
| 5 | 52079050 | 1 | | | | | | | SHAFT, Steering Column, Intermediate |
| 6 | 06503210 | 2 | | | | | | | SCREW, Hex Flange Head, M10x1.5x35., Intermediate Shaft to Steering Column Mounting |
| 7 | 34201711 | 3 | | | | | | | NUT, Hex Flange, M8x1.25, Toe Plate to Dash Panel Mounting |
| 8 | 06502390 | 2 | | | | | | | STUD, M6x1.00x43.80, Steering Column Mounting, Upper |
| 9 | 06503014 | 2 | | | | | | | NUT AND WASHER, Hex, M6x1, Steering Column Mounting Bracket, Upper |
| 10 | 55115711AB | 1 | | | | | | | SHROUD, Lock HousingLower |
| 11 | 04470105 | 2 | | | | | | | SCREW, Filister Head, #8-16x.25, Upper Shroud to Lower Shroud Mounting |
| 12 | 06035142 | 1 | | | | | | | SCREW, .164-32x1.00, Shroud to Column Mounting, Lower |
| 13 | 04470105 | 2 | | | | | | | SCREW, Filister Head, #8-16x.25, Upper Shroud to Lower Shroud Mounting |
| 14 | 34201711 | 1 | | | | | | | NUT, Hex Flange, M8x1.25, Intermediate Shaft Shield Mounting |
| 15 | 52079269 | 1 | | | | | | | SHIELD, Intermediate Shaft |

GRAND CHEROKEE (ZJ)

SERIES LINE
 L = LOWLINE T = JEEP - 2WD
 J = JEEP - 4WD

BODY
 74 = SPORT UTILITY 4-DR

ENGINE
 ELF = 5.2L V8 MPI Engine
 EML = 5.9L V8 MPI Engine
 ERH = 4.0L Power Tech I-6 Engine

TRANSMISSION
 DGK = 4-Spd. Automatic 42RE Transmission
 DGW = 4-Spd. Automatic 4RE Transmission
 DG0 = Transmissions - All Automatic

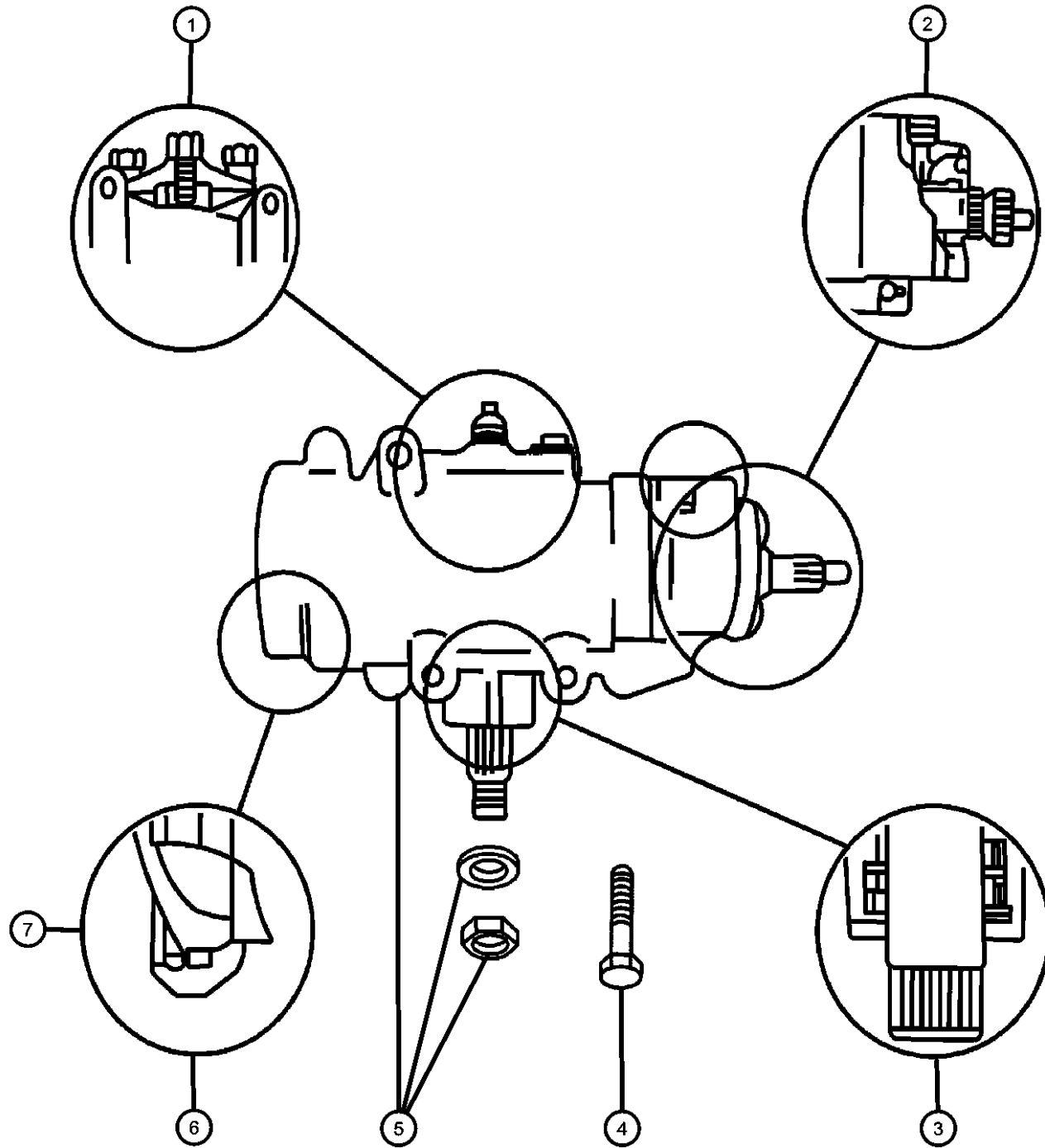
AR = use ase required - = Non illustrated part

**Gear, Power Steering
Figure 19-310**

| ITEM | PART NUMBER | QTY | LINE | SERIES | BODY | ENGINE | TRANS | TRIM | DESCRIPTION |
|------|-------------|-----|------|--------|------|--------|-------|------|-------------|
|------|-------------|-----|------|--------|------|--------|-------|------|-------------|

Note: J=4 Wheel Drive Left Hand Drive—U=4 Wheel Drive Right Hand Drive

| | | | | | | | | | |
|---|------------|---|--|--|--|--|--|--|---|
| 1 | 03893558 | 1 | | | | | | | SEAL, Steering Gear Cover |
| 2 | 04897000AA | 1 | | | | | | | REPAIR KIT, Thrust Bearing, Steering Gear |
| 3 | 04470365 | 1 | | | | | | | SEAL KIT, Steering gear pitman shaft |
| 4 | 06034539 | 3 | | | | | | | SCREW AND WASHER, Hex Head, .437-14x4, Steering Gear to Sill Mounting |
| 5 | 52088488 | 1 | | | | | | | GEAR, Power Steering |
| 6 | 03893557 | 1 | | | | | | | SEAL KIT, Steering gear end plug |
| 7 | 04886349AA | 1 | | | | | | | SEAL KIT, Steering gear adjuster plug |



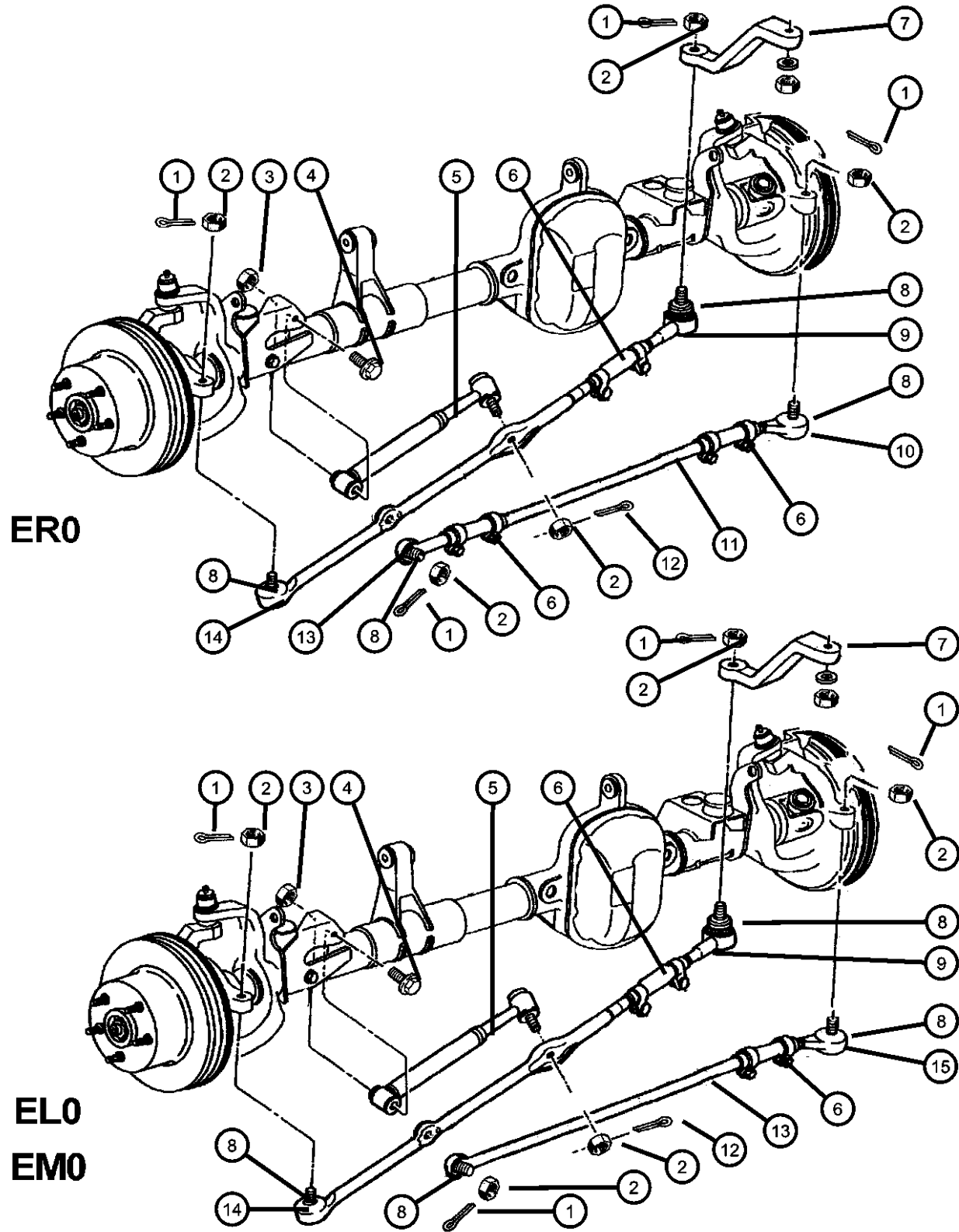
GRAND CHEROKEE (ZJ)

| | | | | |
|-------------|----------------------------------|-------------------------|--|--|
| SERIES | LINE | BODY | ENGINE | TRANSMISSION |
| L = LOWLINE | T = JEEP - 2WD J = JEEP - 4WD | 74 = SPORT UTILITY 4-DR | ELF = 5.2L V8 MPI Engine EML = 5.9L V8 MPI Engine ERH = 4.0L Power Tech I-6 Engine | DGK = 4-Spd. Automatic 42RE Transmission DGW = 4-Spd. Automatic 4RE Transmission DG0 = Transmissions - All Automatic |

AR = use ase required - = Non illustrated part

1997 ZJ

Linkage And Damper
Figure 19-410



| ITEM | PART NUMBER | QTY | LINE | SERIES | BODY | ENGINE | TRANS | TRIM | DESCRIPTION |
|------|-------------|-----|------|--------|------|--------|-------|------|-------------|
|------|-------------|-----|------|--------|------|--------|-------|------|-------------|

Note: Sales Codes;
ER0=4.0L 6 Cylinder Gas Engine
ELO=5.2L 8 Cylinder Gas Engine
EM0=5.9L 8 Cylinder Gas Engine

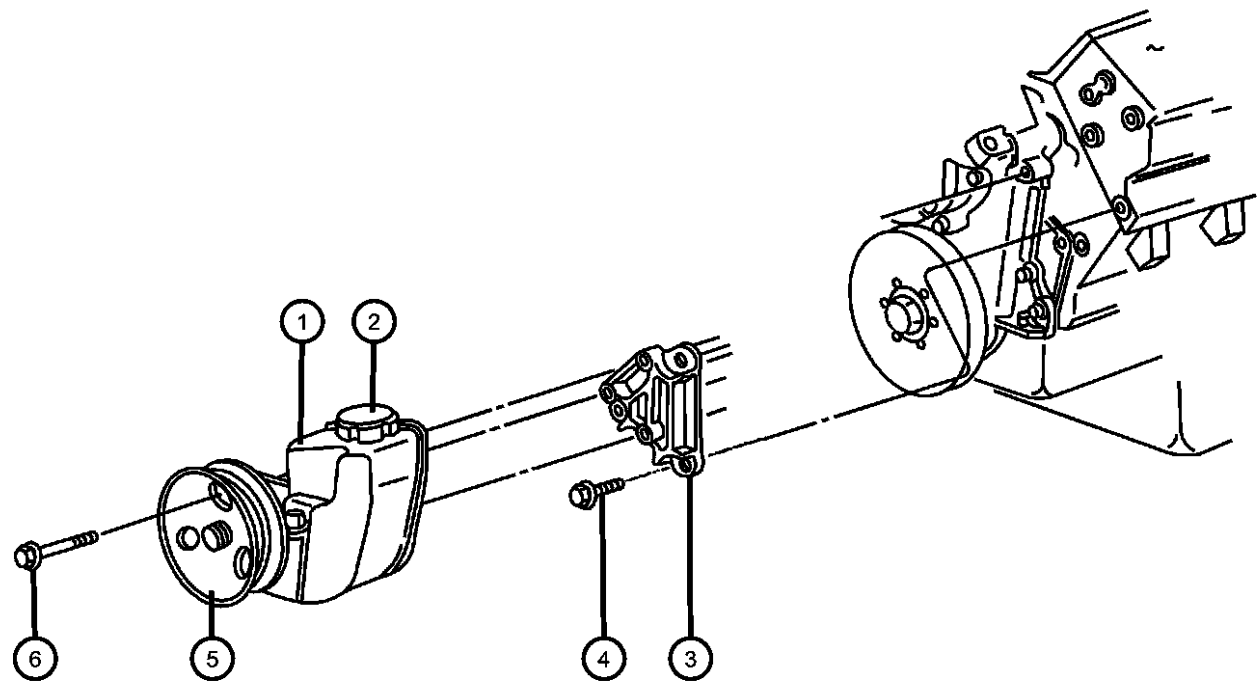
| | | | | | | | | | |
|----|----------|---|---|--|--|----------|--|--|---|
| 1 | 34202101 | 1 | | | | | | | PIN, Cotter, As Required |
| 2 | 06034358 | 1 | J | | | | | | NUT, Hex, .50-20, As Required |
| 3 | 06502697 | 1 | | | | | | | NUT, Hex Flange Lock, M12x1.75, Steering Damper to Axle Bracket |
| 4 | 06502473 | 1 | | | | | | | BOLT, Hex Flange Head, M12x1.75x65, Steering Damper to Axle Bracket |
| 5 | 52087827 | 1 | | | | | | | DAMPER, Steering Linkage |
| 6 | 52037536 | 1 | | | | EL0, EM0 | | | TUBE, Tie Rod |
| | | 1 | | | | ER0 | | | As Required |
| 7 | 52005285 | 1 | | | | | | | ARM, Pitman |
| 8 | 52000988 | 1 | | | | ER0 | | | SEAL, Tie Rod End |
| | | 1 | | | | EL0, EM0 | | | As Required |
| 9 | 52005739 | 1 | | | | EL0, EM0 | | | SOCKET |
| | | 1 | | | | ER0 | | | Drag Link, Inner |
| 10 | 52005741 | 1 | | | | ER0 | | | SOCKET, Tie Rod, OuterLeft |
| 11 | 52087674 | 1 | | | | ER0 | | | TUBE, Tie Rod |
| 12 | J0103374 | 1 | | | | | | | PIN, Cotter, Steering Damper to Drag Link |
| 13 | 52005740 | 1 | | | | ER0 | | | SOCKET, Tie Rod, Inner |
| | | 1 | | | | EL0, EM0 | | | to Drag Link, Right |
| | 52037996 | 1 | | | | EL0, EM0 | | | to Drag Link, Right |
| 14 | 52005738 | 1 | | | | ER0 | | | SOCKET, Drag Link, Outer |
| | | 1 | | | | EL0, EM0 | | | to Knuckle, Right |
| | 52037994 | 1 | | | | EL0, EM0 | | | to Knuckle, Right |
| 15 | 52005739 | 1 | | | | EL0, EM0 | | | SOCKET, Tie Rod, Outer |

| GRAND CHEROKEE (ZJ) | | BODY | ENGINE | TRANSMISSION |
|---------------------|----------------------------------|-------------------------|--|--|
| SERIES | LINE | 74 = SPORT UTILITY 4-DR | ELF = 5.2L V8 MPI Engine EML = 5.9L V8 MPI Engine ERH = 4.0L Power Tech I-6 Engine | DGK = 4-Spd. Automatic 42RE Transmission DGW = 4-Spd. Automatic 4RE Transmission DG0 = Transmissions - All Automatic |
| L = LOWLINE | T = JEEP - 2WD J = JEEP - 4WD | | | |

AR = use ase required - = Non illustrated part

**Pump,Power Steering,and Mounting
Figure 19-510**

| ITEM | PART NUMBER | QTY | LINE | SERIES | BODY | ENGINE | TRANS | TRIM | DESCRIPTION |
|------|-------------|-----|------|--------|------|---------------|-------|------|--|
| 1 | 52088139 | 1 | | | | EL0, EM0 | | | PUMP, Power Steering [SBA] |
| | R2088139 | | | | | | | | Mopar Remanufactured Part [SBA] |
| | R2088139 | 1 | | | | ER0 | | | Mopar Remanufactured Part [SBA] |
| | 52088250 | 1 | | | | EL0, EM0, ER0 | | | [SBC] |
| 2 | 04897287AA | 1 | | | | EL0, EM0 | | | CAP, Power Steering Reservoir |
| | | 1 | | | | ER0 | | | |
| 3 | 53010256 | 1 | | | | EL0, EM0 | | | BRACKET, Power Steering Pump |
| 4 | 53010256 | 1 | | | | | | | SCREW AND WASHER, Hex Head, .375-16x1.00, Quantity 5, (NOT SERVICED) |
| 5 | 53010258 | 1 | | | | ER0 | | | PULLEY, Power Steering Pump |
| | 53011017 | 1 | | | | EL0, EM0 | | | |
| 6 | 53011017 | 1 | | | | | | | SCREW AND WASHER, Hex Head, .312-18x.75, Quantity 3, (NOT SERVICED) |



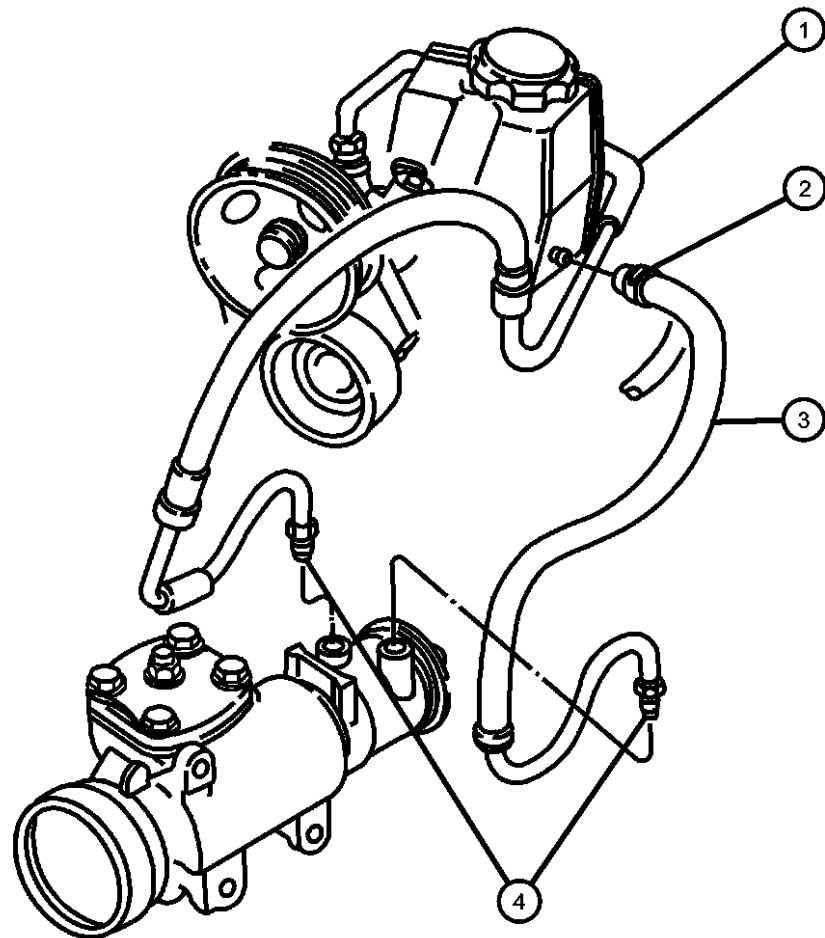
GRAND CHEROKEE (ZJ)

| | | | | |
|-------------|----------------------------------|-------------------------|--|--|
| SERIES | LINE | BODY | ENGINE | TRANSMISSION |
| L = LOWLINE | T = JEEP - 2WD J = JEEP - 4WD | 74 = SPORT UTILITY 4-DR | ELF = 5.2L V8 MPI Engine EML = 5.9L V8 MPI Engine ERH = 4.0L Power Tech I-6 Engine | DGK = 4-Spd. Automatic 42RE Transmission DGW = 4-Spd. Automatic 4RE Transmission DG0 = Transmissions - All Automatic |

AR = use ase required - = Non illustrated part

Hoses, Power Steering
Figure 19-710

| ITEM | PART NUMBER | QTY | LINE | SERIES | BODY | ENGINE | TRANS | TRIM | DESCRIPTION |
|------|-------------|-----|------|--------|------|------------------|-------|------|--|
| 1 | 52088538 | 1 | | | | | | | HOSE, Power Steering Pressure |
| 2 | 06502017 | 2 | | | | ER0 | | | CLAMP, Heater Hose |
| | | 2 | | | | EL0, EM0 | | | |
| 3 | 52087748 | 1 | | | | EL0, EM0, ER0 | | | HOSE, Power Steering Return |
| 4 | 05205254 | 1 | | | | | | | O RING, Power Steering Hose, as Required |



GRAND CHEROKEE (ZJ)

SERIES LINE
L = LOWLINE T = JEEP - 2WD
J = JEEP - 4WD

BODY
74 = SPORT UTILITY 4-DR

ENGINE
ELF = 5.2L V8 MPI Engine
EML = 5.9L V8 MPI Engine
ERH = 4.0L Power Tech I-6 Engine

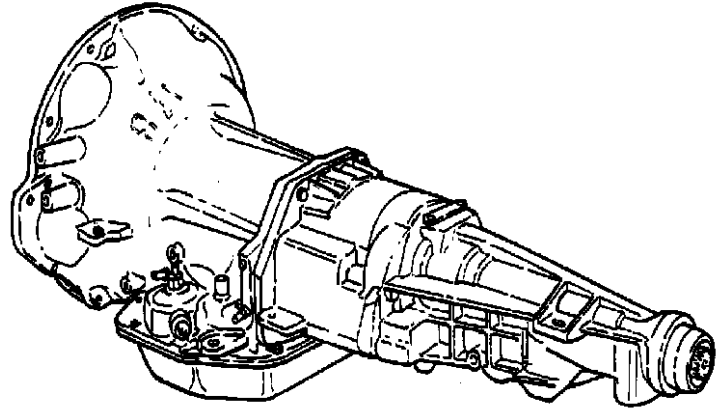
TRANSMISSION
DGK = 4-Spd. Automatic 42RE Transmission
DGW = 4-Spd. Automatic 4RE Transmission
DG0 = Transmissions - All Automatic

AR = use ase required - = Non illustrated part

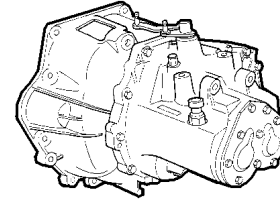
1997 ZJ

Group - 42RE

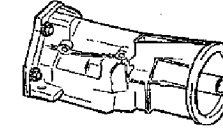
Automatic Transmission 4 Speed



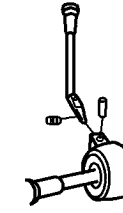
42RE-100
Transmission Assembly



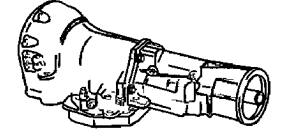
42RE-1000
Overdrive Gear Train



42RE-1200
Gearshift Controls



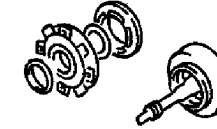
42RE-200
Case and Extension



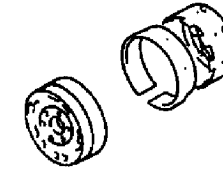
42RE-300
Oil Pump



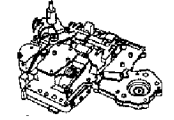
42RE-400
Gear Train



42RE-500
Bands, Reverse and Kickdown



42RE-700
Valve Body

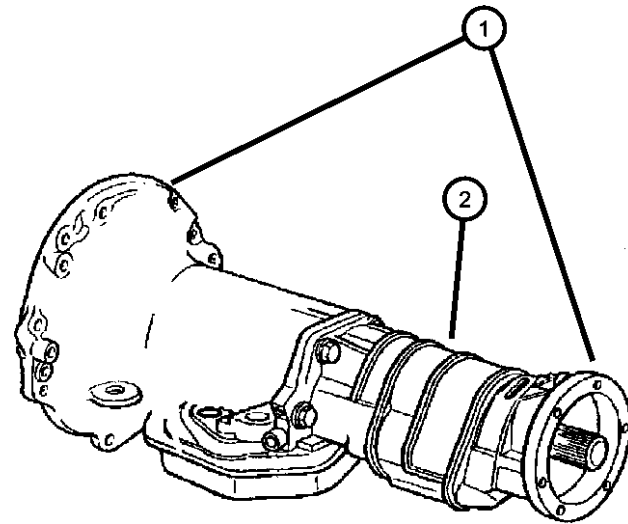


Group - 42RE Automatic Transmission 4 Speed

| Illustration Title | Group-Fig. No. |
|--|------------------|
| Transmission Assembly | |
| Transmission Assembly Automatic Transmission, 4 Speed, 42Re | Fig. 42RE - 110 |
| Case and Extension | |
| Case, And Related Parts Automatic Transmission, 4 Speed, 42Re..... | Fig. 42RE - 210 |
| Extension Automatic Transmission, 4 Speed, 42Re..... | Fig. 42RE - 220 |
| Oil Pump | |
| Pump, Oil With Reaction Shaft Automatic Transmission, 4 Speed, 42Re | Fig. 42RE - 310 |
| Gear Train | |
| Clutch, Front And Rear With Gear Train Automatic Transmission, 4 Speed, 42Re..... | Fig. 42RE - 410 |
| Gear Train And Intermediate Shaft Automatic Transmission, 4 Speed, 42Re..... | Fig. 42RE - 420 |
| Output Shaft Automatic Transmission, 4 Speed, 42Re | Fig. 42RE - 430 |
| Bands, Reverse and Kickdown | |
| Bands, Reverse And Kickdown With Linkage Automatic Transmission, 4 Speed, 42Re | Fig. 42RE - 510 |
| Valve Body | |
| Valve Body Automatic Transmission, 4 Speed, 42Re | Fig. 42RE - 710 |
| Servos, Accumulator Piston And Spring Automatic Transmission | Fig. 42RE - 720 |
| Parking Sprag Automatic Transmission, 4 Speed, 42Re..... | Fig. 42RE - 730 |
| Overdrive Gear Train | |
| Clutch, Overdrive With Gear Train Automatic Transmission, 4 Speed, 42Re | Fig. 42RE - 1010 |
| Gearshift Controls | |
| Controls, Gearshift, Floor Mounted Automatic Transmission, 4 Speed, 42Re | Fig. 42RE - 1210 |

**Transmission Assembly Automatic Transmission, 4 Speed, 42Re
Figure 42RE-110**

| ITEM | PART NUMBER | QTY | LINE | SERIES | BODY | ENGINE | TRANS | TRIM | DESCRIPTION |
|------|-------------|-----|------|--------|------|--------|-------|------|---------------------------|
| 1 | | | | | | | | | TRANSMISSION PACKAGE |
| | 04883732AA | 1 | T | | | ER0 | DGK | | Two Wheel Drive |
| | 04883733AA | 1 | J | | | ER0 | DGK | | Four Wheel Drive |
| 2 | | | | | | | | | OVERDRIVE |
| | 52118150 | 1 | T | | | ER0 | DGK | | Two Wheel Drive |
| | R2118150 | | | | | | | | Mopar Remanufactured Part |
| | 52118154 | 1 | J | | | ER0 | DGK | | Four Wheel Drive |



GRAND CHEROKEE (ZJ)

SERIES LINE
 L = LOWLINE T = JEEP - 2WD
 J = JEEP - 4WD

BODY
 74 = SPORT UTILITY 4-DR

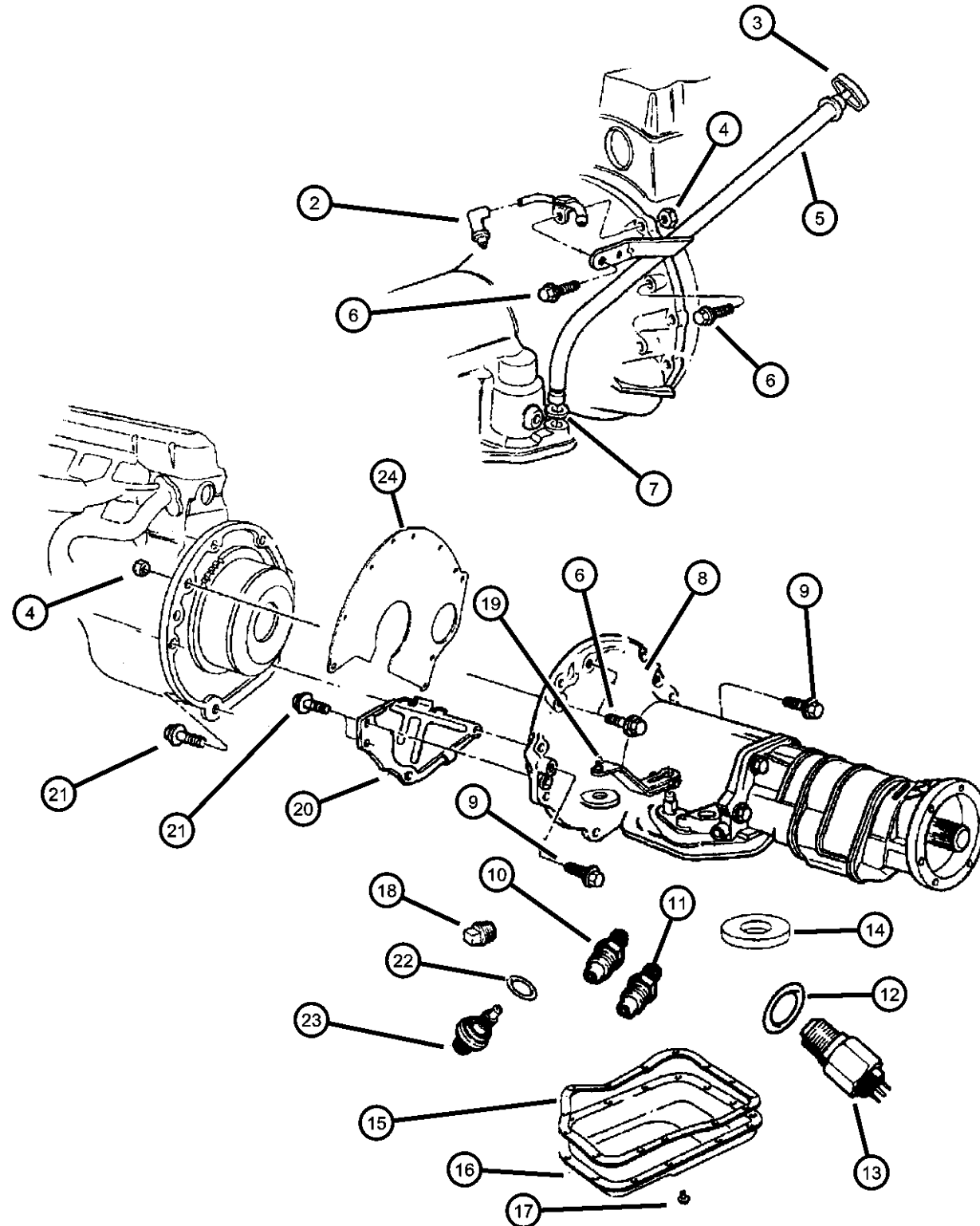
ENGINE
 ELF = 5.2L V8 MPI Engine
 EML = 5.9L V8 MPI Engine
 ERH = 4.0L Power Tech I-6 Engine

TRANSMISSION
 DGK = 4-Spd. Automatic 42RE Transmission
 DGW = 4-Spd. Automatic 4RE Transmission
 DG0 = Transmissions - All Automatic

AR = use ase required - = Non illustrated part

1997 ZJ

Case, And Related Parts Automatic Transmission, 4 Speed, 42Re
Figure 42RE-210



| ITEM | PART NUMBER | QTY | LINE | SERIES | BODY | ENGINE | TRANS | TRIM | DESCRIPTION |
|------|-------------|-----|------|--------|------|---------------|-------|------|---|
| -1 | 04863907 | 1 | | | | ER0 | DGK | | SEAL AND GASKET PACKAGE, Transmission, 42RE, Major Repair *** |
| 2 | 52097701 | 1 | J | | | | | | FILTER, Transfer Case Oil, And Filter Assy. |
| 3 | 52118641 | 1 | | | | | DG0 | | INDICATOR, Transmission Fluid Level, Trans. Oil Level *** |
| 4 | J0219422 | 2 | | | | ER0 | DGK | | NUT, Hex, 3/8-16 |
| 5 | 52118626 | 1 | | | | EL0, EM0 | | | TUBE, Transmission Oil Filler Trans. Oil Filler |
| | 52118628 | 1 | | | | ER0 | | | |
| 6 | J4001885 | 4 | | | | ER0 | DGK | | BOLT, Hex Head, .375-16x2.19, Case Mounting, 3/8-16 x 2-1/8" |
| 7 | 52118629 | 1 | | | | | DG0 | | SEAL, Oil Filler Tube, Oil Filler Tube |
| 8 | 52118291 | 1 | J | | | ER0 | DGK | | CASE, Transmission Transmission *** |
| | | 1 | T | | | ER0 | DGK | | Transmission *** |
| 9 | J4004370 | 2 | | | | ER0 | DGK | | BOLT AND WASHER, Hex Head, .437-14x2.75, Case Mtg., 7/16-14 x 2-3/4" |
| 10 | 52028471 | 1 | T | | | ER0 | DGK | | CONNECTOR, Oil Cooler Tube, .375 Tube x .25 Thread 1/4 - 18 |
| | | 1 | J | | | ER0 | DGK | | 1/4 - 18 |
| | 52028629 | 2 | J | | | ER0 | DGK | | 3/8 |
| | | 2 | T | | | ER0 | DGK | | 3/8 |
| 11 | 06033879 | 1 | T | | | ER0 | DGK | | NUT, Inverted Flare, .62-18 |
| | | 1 | J | | | ER0 | DGK | | |
| 12 | 02408143 | 1 | | | | | DG0 | | WASHER, Switch, B/U Light Switch |
| 13 | 03747361 | 1 | T | | | ER0 | DGK | | SWITCH, Neutral, Safety, Back Up w/Washer, Neutral Starter and B/U Light, w/3 Prongs |
| | | 1 | J | | | ER0 | DGK | | w/Washer, Neutral Starter and B/U Light, w/3 Prongs |
| 14 | 03681601 | 1 | J | | | EL0, EM0, ER0 | DG0 | | MAGNET, Transmission Case Chip Collector |
| | | 1 | T | | | ER0 | DGK | | Case Chip Collector |
| 15 | | | | | | | | | GASKET, Oil Pan |

GRAND CHEROKEE (ZJ)

SERIES LINE
L = LOWLINE T = JEEP - 2WD
J = JEEP - 4WD

BODY
74 = SPORT UTILITY 4-DR

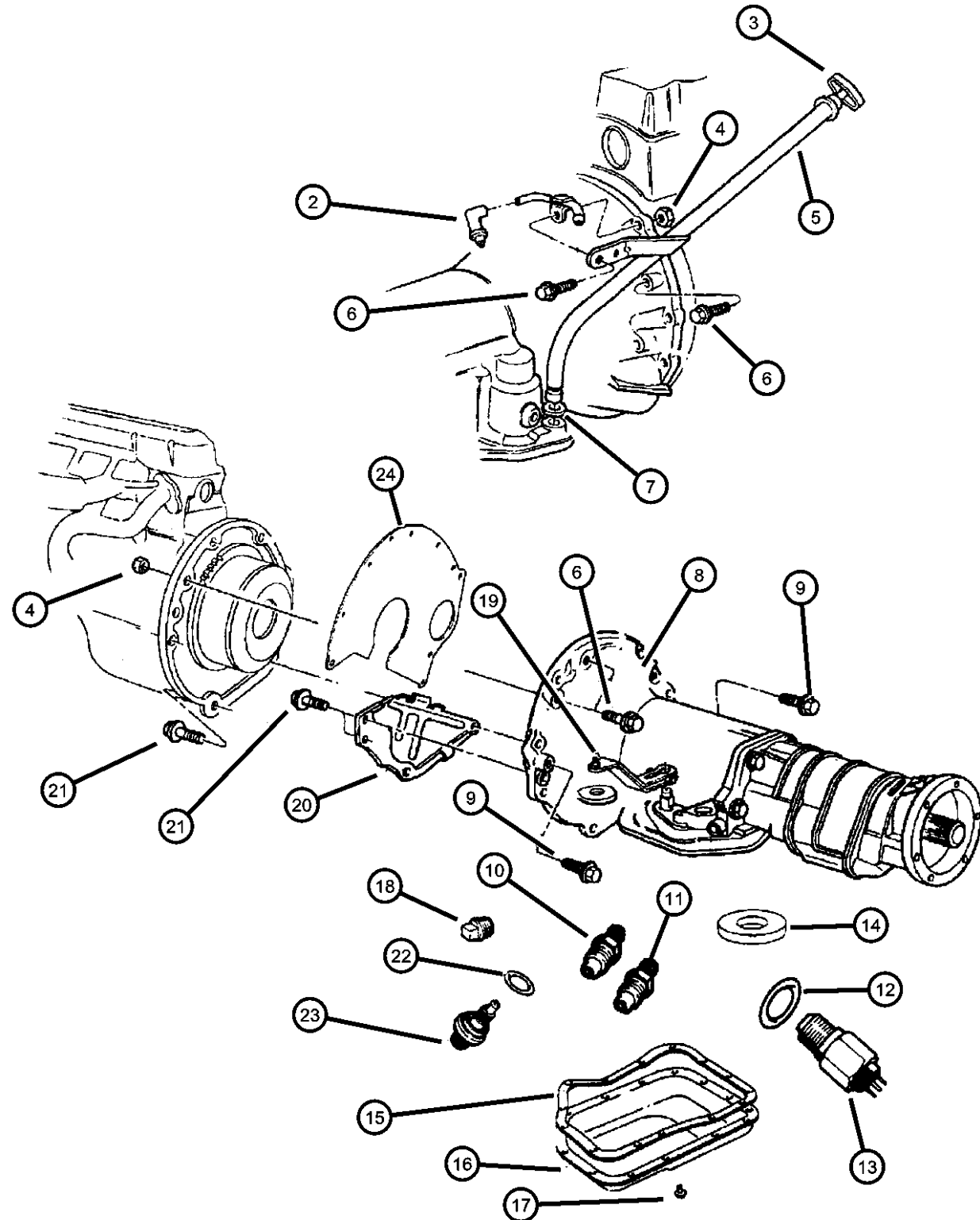
ENGINE
ELF = 5.2L V8 MPI Engine
EML = 5.9L V8 MPI Engine
ERH = 4.0L Power Tech I-6 Engine

TRANSMISSION
DGK = 4-Spd. Automatic 42RE
Transmission
DGW = 4-Spd. Automatic 4RE
Transmission
DG0 = Transmissions - All Automatic

AR = use ase required - = Non illustrated part

1997 ZJ

Case, And Related Parts Automatic Transmission, 4 Speed, 42Re
Figure 42RE-210



| ITEM | PART NUMBER | QTY | LINE | SERIES | BODY | ENGINE | TRANS | TRIM | DESCRIPTION |
|------|-------------|-----|------|--------|------|--------|-------|------|--|
| | 04295875 | 1 | J | | | ER0 | DGK | | Oil Pan |
| | | 1 | T | | | ER0 | DGK | | Oil Pan |
| 16 | | | | | | | | | PAN, Transmission Oil |
| | 52118806 | 1 | T | | | ER0 | DGK | | Trans. Oil |
| | | 1 | J | | | ER0 | DGK | | Trans. Oil |
| 17 | | | | | | | | | SCREW AND WASHER, Hex Head, .312-18x.625 |
| | 04723548 | 12 | J | | | ER0 | DGK | | |
| | | 12 | T | | | ER0 | DGK | | |
| 18 | | | | | | | | | PLUG |
| | 52118746 | 1 | T | | | ER0 | DGK | | Pressure |
| | | 1 | J | | | ER0 | DGK | | Pressure |
| 19 | 52079168 | 1 | | | | | DG0 | | LEVER, Manual Control, Manual Control |
| 20 | 52118136 | 1 | | | | ER0 | DGK | | COVER, Converter, Case Dust Shield, Lower |
| 21 | 06035031 | 3 | | | | ER0 | DGK | | SCREW AND WASHER, Hex Head, .312-18x.625, w/Washer, Case Cover, .312-18x.625 |
| 22 | | | | | | | | | O RING, Trans Speedo Adapter |
| | 06501701 | 1 | T | | | ER0 | DGK | | Speed Sensor (24mm) |
| | | 1 | J | | | ER0 | DGK | | Speed Sensor (24mm) |
| 23 | | | | | | | | | SENSOR, Transmission Output Speed |
| | 04412879 | 1 | T | | | ER0 | DGK | | Output Speed (24mm) |
| | | 1 | J | | | ER0 | DGK | | Output Speed (24mm) |
| 24 | J3237847 | 1 | | | | ER0 | DG0 | | COVER, Converter, Trans. to Eng. Block, Upper |

GRAND CHEROKEE (ZJ)

SERIES LINE
L = LOWLINE T = JEEP - 2WD
J = JEEP - 4WD

BODY
74 = SPORT UTILITY 4-DR

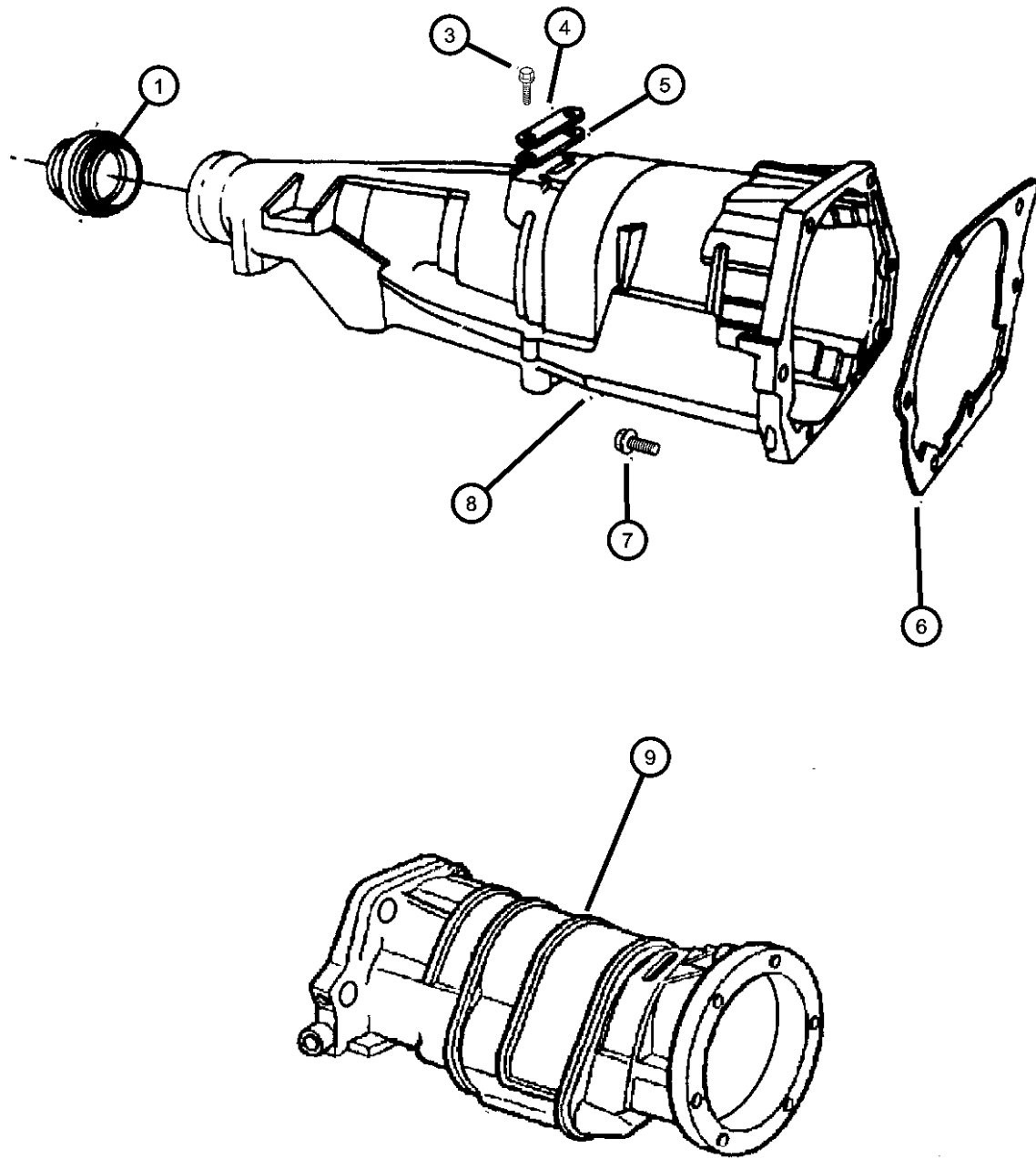
ENGINE
ELF = 5.2L V8 MPI Engine
EML = 5.9L V8 MPI Engine
ERH = 4.0L Power Tech I-6 Engine

TRANSMISSION
DGK = 4-Spd. Automatic 42RE Transmission
DGW = 4-Spd. Automatic 4RE Transmission
DG0 = Transmissions - All Automatic

AR = use ase required - = Non illustrated part

1997 ZJ

Extension Automatic Transmission, 4 Speed, 42Re
Figure 42RE-220



| ITEM | PART NUMBER | QTY | LINE | SERIES | BODY | ENGINE | TRANS | TRIM | DESCRIPTION |
|------|-------------|-----|------|--------|------|---------------|----------|------|---|
| 1 | 04531216 | 1 | T | | | ER0 | DGK | | SEAL, Extension Yoke |
| -2 | 52107563 | 1 | T | | | EL0, ER0 | DGK, DGW | | SPLINE SEAL, Extension Yoke *** |
| 3 | 52107563 | 1 | | | | | | | SCREW, .25-20x.62, (NOT SERVICED) |
| 4 | 02466957 | 1 | J | | | EL0, EM0, ER0 | DG0 | | COVER, Transmission Converter Ext. Bearing |
| | | 1 | T | | | ER0 | DGK | | Ext. Bearing |
| 5 | 02801398 | 1 | J | | | EL0, EM0, ER0 | DG0 | | GASKET, Transmission Cover |
| | | 1 | T | | | ER0 | DGK | | Cover |
| 6 | 04471564 | 1 | J | | | ER0 | DGK | | GASKET, Overdrive Piston Retainer Extension or Adapter |
| | | 1 | T | | | ER0 | DGK | | Extension or Adapter |
| 7 | 06033745 | 7 | J | | | ER0 | DGK | | SCREW, Hex Flange Head, .375-16x1.44 |
| | | 7 | T | | | ER0 | DGK | | |
| 8 | 04461184 | 1 | T | | | ER0 | DGK | | CASE, Transmission Rear, w/Bushing, Case |
| 9 | 04797342 | 1 | J | | | ER0 | DGK | | ADAPTER, Transfer Case |
| -10 | 04269956 | 1 | J | | | ER0 | DGK | | SEAL, Adapter |

GRAND CHEROKEE (ZJ)

SERIES LINE
L = LOWLINE T = JEEP - 2WD
 J = JEEP - 4WD

BODY
74 = SPORT UTILITY 4-DR

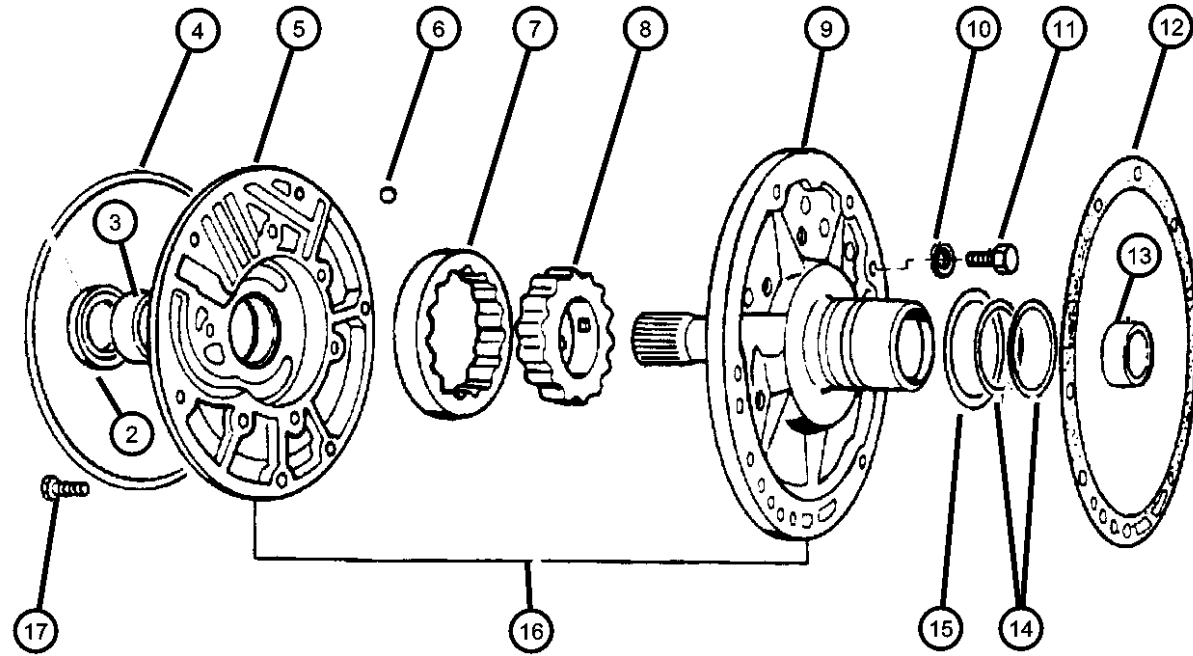
ENGINE
ELF = 5.2L V8 MPI Engine
EML = 5.9L V8 MPI Engine
ERH = 4.0L Power Tech I-6 Engine

TRANSMISSION
DGK = 4-Spd. Automatic 42RE Transmission
DGW = 4-Spd. Automatic 4RE Transmission
DG0 = Transmissions - All Automatic

AR = use ase required - = Non illustrated part

1997 ZJ

Pump, Oil With Reaction Shaft Automatic Transmission, 4 Speed, 42Re
Figure 42RE-310



| ITEM | PART NUMBER | QTY | LINE | SERIES | BODY | ENGINE | TRANS | TRIM | DESCRIPTION |
|------|-------------|-----|------|--------|------|--------|-------|------|--|
| -1 | | | | | | | | | GASKET AND SEAL PACKAGE, Transmission Oil Pump |
| | 04713108 | 1 | T | | | ER0 | DGK | | Repair Front Pump |
| | | 1 | J | | | ER0 | DGK | | Repair Front Pump |
| 2 | | | | | | | | | SEAL, Impeller Hub, 57.25mm OD |
| | 04412475 | 1 | T | | | ER0 | DGK | | T/C Impeller Hub, 57.25mm O.D. |
| | | 1 | J | | | ER0 | DGK | | T/C Impeller Hub, 57.25mm O.D. |
| 3 | | | | | | | | | BUSHING, Front Pump |
| | 02466796 | 1 | T | | | ER0 | DGK | | Frnt. Pump Hsg. |
| | | 1 | J | | | ER0 | DGK | | Frnt. Pump Hsg. |
| 4 | | | | | | | | | SEAL, Front Pump Housing |
| | 02204709 | 1 | J | | | ER0 | DGK | | Frnt. Pump Hsg. 8-17/64" O.D. |
| | | 1 | T | | | ER0 | DGK | | Frnt. Pump Hsg. 8-17/64" O.D. |
| 5 | | 1 | | | | | | | HOUSING, Pump, w/Bushing, Rotors and Seal, Frnt. Pump (Serviced in Assy. Item No. 16), (NOT SERVICED), |
| 6 | | | | | | | | | BALL, Valve Body Check |
| | 00104918 | 1 | J | | | ER0 | DGK | | Reaction Shaft Suppt., 1/4" Dia. |
| | | 1 | T | | | ER0 | DGK | | Reaction Shaft Suppt., 1/4" Dia. |
| 7 | | 1 | | | | | | | ROTOR, Oil Pump, ROTOR, (Serviced in Assy.), (NOT SERVICED), |
| 8 | | 1 | | | | | | | ROTOR, Oil Pump, ROTOR, (Serviced in Assy.), (NOT SERVICED) |
| 9 | | 1 | | | | | | | REACTION SHAFT, Transmission Oil Pump, (Serviced in Item No. 16), (NOT SERVICED) |
| 10 | | 1 | | | | | | | LOCK WASHER, (NOT SERVICED) |
| 11 | | | | | | | | | SCREW, Hex Head, .312-18x.687 |
| | 00179815 | 6 | J | | | ER0 | DGK | | Support, 5/16-18 x 11/16" |
| | | 6 | T | | | ER0 | DGK | | Support, 5/16-18 x 11/16" |
| 12 | | | | | | | | | GASKET, Transmission Oil Pump |
| | 52118266 | 1 | J | | | ER0 | DGK | | Reaction Shaft Support |
| | | 1 | T | | | ER0 | DGK | | Reaction Shaft Support |
| 13 | | | | | | | | | BUSHING, Reaction Shaft |
| | 04058635 | 1 | J | | | ER0 | DGK | | Reaction Shaft |
| | | 1 | T | | | ER0 | DGK | | Reaction Shaft |

GRAND CHEROKEE (ZJ)

SERIES LINE
L = LOWLINE T = JEEP - 2WD
 J = JEEP - 4WD

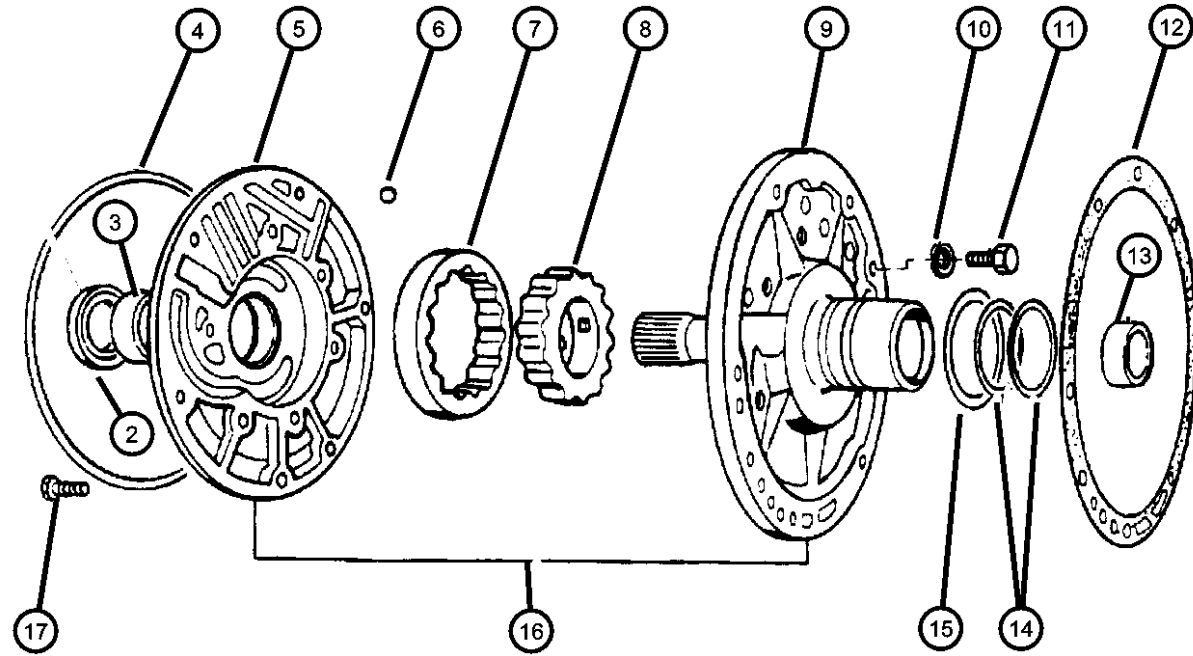
BODY
74 = SPORT UTILITY 4-DR

ENGINE
ELF = 5.2L V8 MPI Engine
EML = 5.9L V8 MPI Engine
ERH = 4.0L Power Tech I-6 Engine

TRANSMISSION
DGK = 4-Spd. Automatic 42RE Transmission
DGW = 4-Spd. Automatic 4RE Transmission
DG0 = Transmissions - All Automatic

AR = use ase required - = Non illustrated part

Pump, Oil With Reaction Shaft Automatic Transmission, 4 Speed, 42Re
Figure 42RE-310



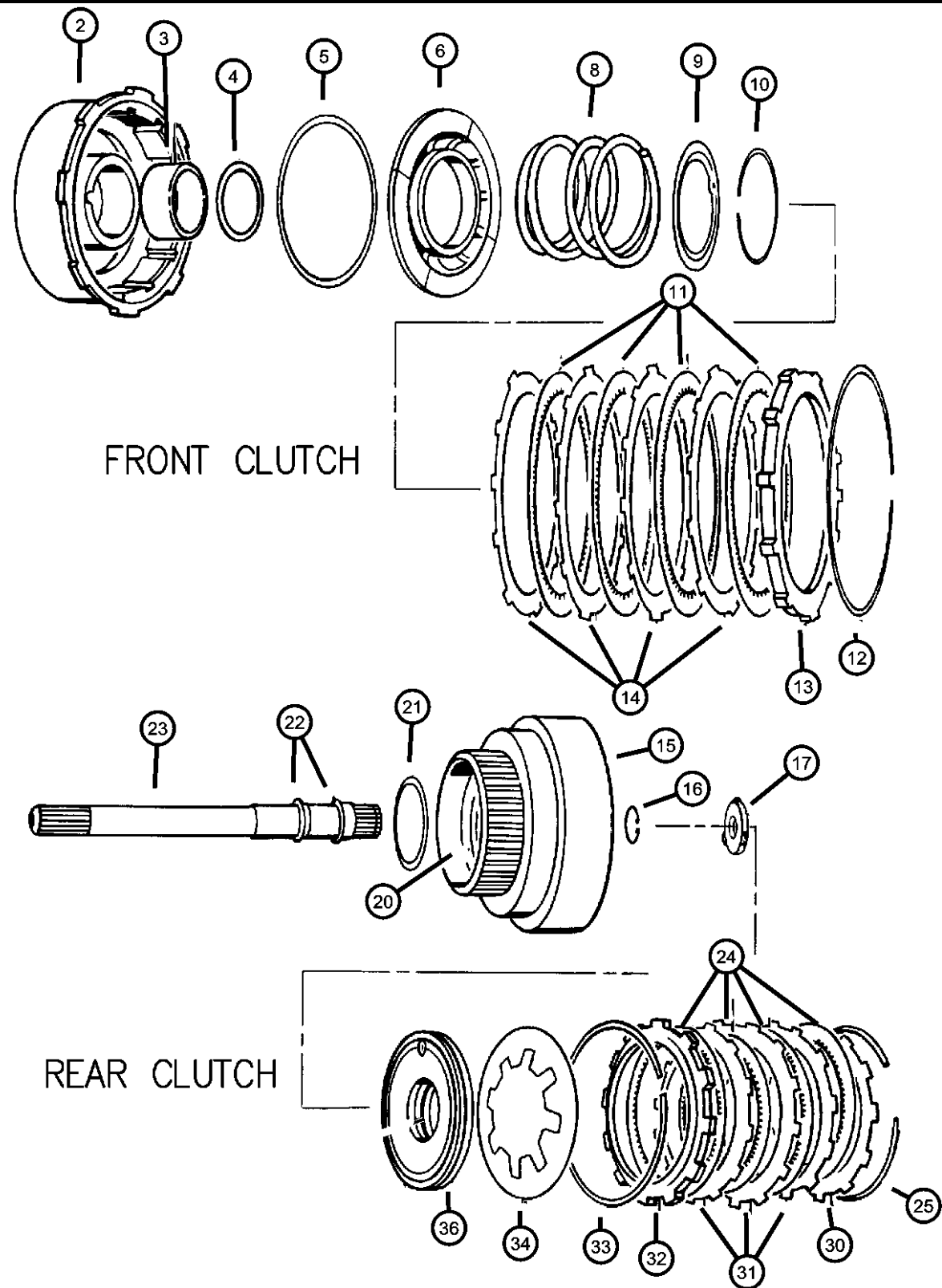
| ITEM | PART NUMBER | QTY | LINE | SERIES | BODY | ENGINE | TRANS | TRIM | DESCRIPTION |
|------|-------------|-----|------|--------|------|--------|-------|------|---|
| 14 | | | | | | | | | SEAL, Ring Reaction Support, 2 1/16 O.D. |
| | 04471874 | 2 | J | | | ER0 | DGK | | Seal Reaction Shaft Support, 2-1/16" I.D. |
| | | 2 | T | | | ER0 | DGK | | Seal Reaction Shaft Support, 2-1/16" I.D. |
| 15 | | | | | | | | | THRUST WASHER, Front Clutch |
| | 04617786 | 1 | J | | | ER0 | DGK | | |
| | | 1 | T | | | ER0 | DGK | | |
| 16 | | | | | | | | | PUMP, Transmission Oil |
| | 52118267 | 1 | J | | | ER0 | DGK | | Oil, Housing, Support and Reaction Shaft, w/Lock-Up *** |
| | | 1 | T | | | ER0 | DGK | | Oil, Housing, Support and Reaction Shaft, w/Lock-Up *** |
| 17 | | | | | | | | | SCREW AND WASHER, Hex Flange Head, .312-18x1.375 |
| | 06023943 | 6 | J | | | ER0 | DGK | | w/Washer, Hsg. 5/16-18 x 1-3/8" |
| | | 6 | T | | | ER0 | DGK | | w/Washer, Hsg. 5/16-18 x 1-3/8" |

GRAND CHEROKEE (ZJ)

| | | | | |
|-------------|----------------------------------|-------------------------|--|--|
| SERIES | LINE | BODY | ENGINE | TRANSMISSION |
| L = LOWLINE | T = JEEP - 2WD J = JEEP - 4WD | 74 = SPORT UTILITY 4-DR | ELF = 5.2L V8 MPI Engine EML = 5.9L V8 MPI Engine ERH = 4.0L Power Tech I-6 Engine | DGK = 4-Spd. Automatic 42RE Transmission DGW = 4-Spd. Automatic 4RE Transmission DG0 = Transmissions - All Automatic |

AR = use ase required - = Non illustrated part

Clutch, Front And Rear With Gear Train Automatic Transmission, 4 Speed, 42Re
Figure 42RE-410

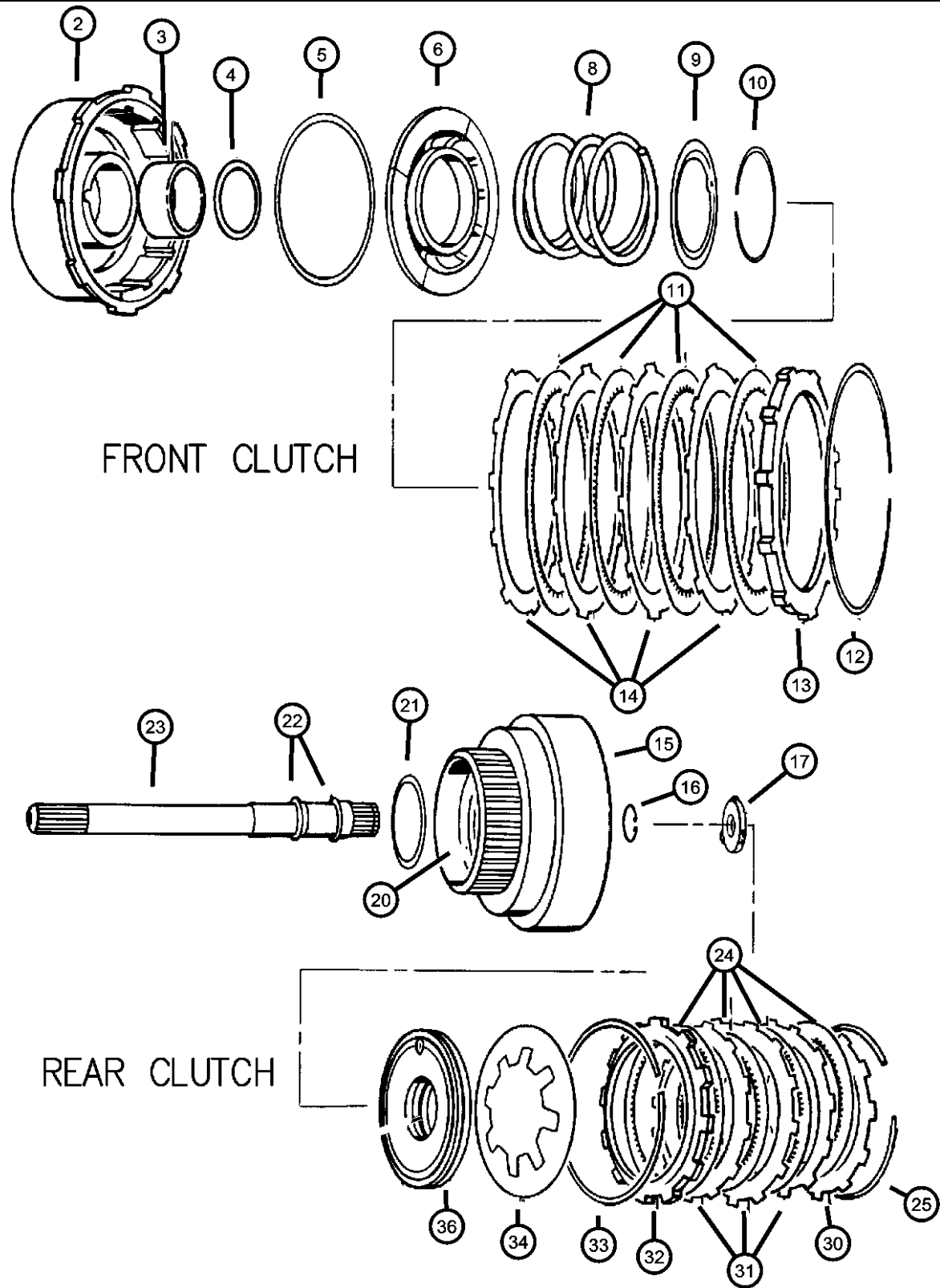


| ITEM | PART NUMBER | QTY | LINE | SERIES | BODY | ENGINE | TRANS | TRIM | DESCRIPTION |
|------|-------------|-----|------|--------|------|--------|-------|------|---|
| -1 | 05252926 | 1 | | | | ER0 | DGK | | SEAL PACKAGE, Transmission Clutch, Front and Rear Clutch |
| 2 | 04531285 | 1 | J | | | ER0 | DGK | | RETAINER AND BUSHING, Transmission Front Clutch w/Bushings, w/o Seals Frt. Clutch |
| | | 1 | T | | | ER0 | DGK | | w/Bushings, w/o Seals Frt. Clutch |
| 3 | 04617157 | 1 | J | | | ER0 | DGK | | BUSHING, Front Clutch |
| | | 1 | T | | | ER0 | DGK | | |
| 4 | 03515176 | 1 | J | | | ER0 | DGK | | SEAL, Front Clutch Piston |
| | | 1 | T | | | ER0 | DGK | | Frt. Clutch Piston, Rubber, Inner |
| 5 | 04058487 | 1 | J | | | ER0 | DGK | | SEAL, Front Piston Clutch |
| | | 1 | T | | | ER0 | DGK | | Frt. Clutch Piston, Outer |
| 6 | 04617154 | 1 | J | | | ER0 | DGK | | PISTON, Clutch |
| | | 1 | T | | | ER0 | DGK | | Frt. Clutch |
| -7 | 00147483 | 1 | J | | | ER0 | DGK | | CHECK BALL, Dia-.187 |
| | | 1 | T | | | ER0 | DGK | | 3/16" Dia. |
| 8 | 04329809 | 1 | J | | | ER0 | DGK | | SPRING, Front Clutch |
| | | 1 | T | | | ER0 | DGK | | Frt. Clutch Piston, Yellow |
| 9 | 04617516 | 1 | J | | | ER0 | DGK | | RETAINER, Transmission Front Clutch Piston Spring |
| | | 1 | T | | | ER0 | DGK | | Frt. Clutch Piston Spring |
| 10 | 01942400 | 1 | J | | | ER0 | DGK | | SNAP RING |
| | | 1 | T | | | ER0 | DGK | | Frt. Clutch Inner, 2-7/16" O.D. |
| 11 | 04617362 | 4 | J | | | ER0 | DGK | | DISC, Direct Clutch |
| | | 4 | T | | | ER0 | DGK | | Frt. Clutch |
| 12 | | | | | | | | | SNAP RING |

GRAND CHEROKEE (ZJ)
SERIES LINE BODY ENGINE TRANSMISSION
L = LOWLINE T = JEEP - 2WD 74 = SPORT UTILITY 4-DR ELF = 5.2L V8 MPI Engine DGK = 4-Spd. Automatic 42RE
J = JEEP - 4WD EML = 5.9L V8 MPI Engine Transmission
ERH = 4.0L Power Tech I-6 Engine DGW = 4-Spd. Automatic 4RE
Transmission
DG0 = Transmissions - All Automatic

AR = use ase required - = Non illustrated part

Clutch, Front And Rear With Gear Train Automatic Transmission, 4 Speed, 42Re
Figure 42RE-410



| ITEM | PART NUMBER | QTY | LINE | SERIES | BODY | ENGINE | TRANS | TRIM | DESCRIPTION |
|------|-------------|-----|------|--------|------|--------|-------|------|---|
| | 03410571 | 1 | J | | | ER0 | DGK | | Frnt. Clutch, Outer |
| | | 1 | T | | | ER0 | DGK | | Frnt. Clutch, Outer |
| 13 | | | | | | | | | PLATE, Transmission Clutch Reaction |
| | 04617176 | 1 | J | | | ER0 | DGK | | Frnt. Clutch Pressure |
| | | 1 | T | | | ER0 | DGK | | Frnt. Clutch Pressure |
| 14 | | | | | | | | | PLATE, Front and Rear Clutch |
| | 01942403 | 4 | J | | | ER0 | DGK | | Frnt. Clutch |
| | | 4 | T | | | ER0 | DGK | | Frnt. Clutch |
| 15 | | | | | | | | | RETAINER, Transmission Rear Clutch |
| | 04505199 | 1 | J | | | ER0 | DGK | | Rear Clutch |
| | | 1 | T | | | ER0 | DGK | | Rear Clutch |
| 16 | | | | | | | | | SNAP RING, .890625 |
| | 06022859 | 1 | J | | | ER0 | DGK | | Input Shaft 57/64", .059" Thk. |
| | | 1 | T | | | ER0 | DGK | | Input Shaft 57/64", .059" Thk. |
| 17 | | | | | | | | | THRUST WASHER, Output Shaft, Gray .052 |
| | 04505185 | 1 | J | | | ER0 | DGK | | Grey |
| | | 1 | T | | | ER0 | DGK | | Grey |
| -18 | | | | | | | | | THRUST WASHER, Output Shaft, Red .068 |
| | 04505186 | 1 | J | | | ER0 | DGK | | |
| | | 1 | T | | | ER0 | DGK | | |
| -19 | | | | | | | | | THRUST WASHER, Output Shaft, Green .083 |
| | 04505187 | 1 | J | | | ER0 | DGK | | |
| | | 1 | T | | | ER0 | DGK | | |
| 20 | | | | | | | | | SEAL, Rear Clutch Retainer |
| | 04617063 | 1 | J | | | ER0 | DGK | | |
| | | 1 | T | | | ER0 | DGK | | |
| 21 | | | | | | | | | THRUST WASHER, Front Clutch |
| | 04617786 | 1 | J | | | ER0 | DGK | | |
| | | 1 | T | | | ER0 | DGK | | |
| 22 | | | | | | | | | SEAL, Input Shaft |
| | 01401221 | 1 | J | | | ER0 | DGK | | |
| | | 1 | T | | | ER0 | DGK | | |

GRAND CHEROKEE (ZJ)

SERIES LINE
 L = LOWLINE T = JEEP - 2WD
 J = JEEP - 4WD

BODY
 74 = SPORT UTILITY 4-DR

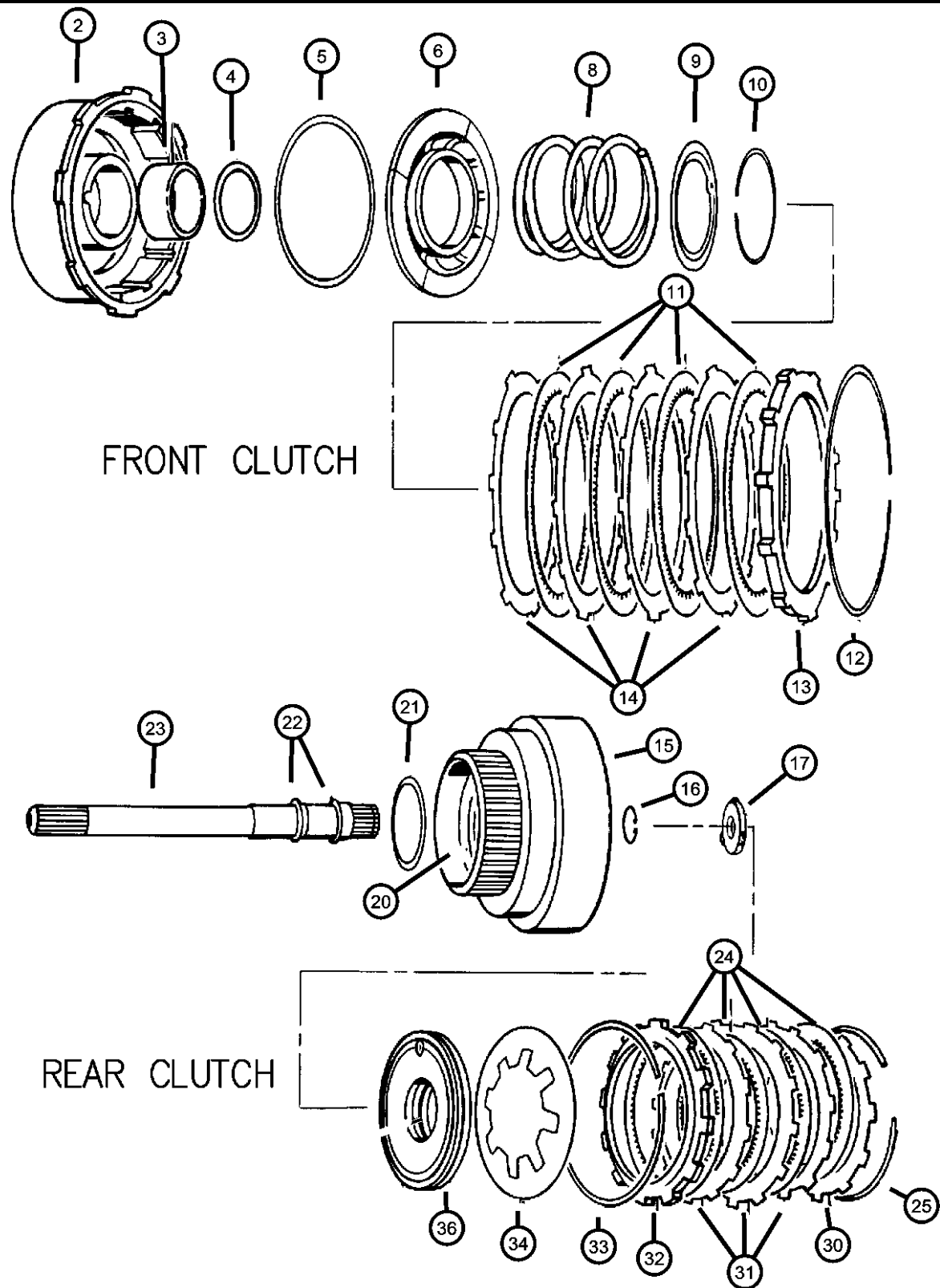
ENGINE
 ELF = 5.2L V8 MPI Engine
 EML = 5.9L V8 MPI Engine
 ERH = 4.0L Power Tech I-6 Engine

TRANSMISSION
 DGK = 4-Spd. Automatic 42RE Transmission
 DGW = 4-Spd. Automatic 4RE Transmission
 DG0 = Transmissions - All Automatic

AR = use ase required - = Non illustrated part

1997 ZJ

Clutch, Front And Rear With Gear Train Automatic Transmission, 4 Speed, 42Re
Figure 42RE-410



| ITEM | PART NUMBER | QTY | LINE | SERIES | BODY | ENGINE | TRANS | TRIM | DESCRIPTION |
|------|-------------|-----|------|--------|------|--------|-------|------|-------------------------------------|
| 23 | 04505189 | 1 | J | | | ER0 | DGK | | INPUT SHAFT, Transmission |
| | | 1 | T | | | ER0 | DGK | | Input |
| 24 | 04713880 | 4 | J | | | ER0 | DGK | | DISC, Clutch |
| | | 4 | T | | | ER0 | DGK | | Rear Clutch |
| 25 | 04130761 | 1 | J | | | ER0 | DGK | | SNAP RING |
| | | 1 | T | | | ER0 | DGK | | |
| -26 | 04539121 | 1 | J | | | ER0 | DGK | | SNAP RING, Rear Clutch, .076 |
| | | 1 | T | | | ER0 | DGK | | |
| -27 | 04539122 | 1 | J | | | ER0 | DGK | | SNAP RING, Rear Clutch, .098 |
| | | 1 | T | | | ER0 | DGK | | |
| -28 | 04539123 | 1 | J | | | ER0 | DGK | | SNAP RING, Rear Clutch, .095 |
| | | 1 | T | | | ER0 | DGK | | |
| -29 | 04539124 | 1 | J | | | ER0 | DGK | | SNAP RING, Rear Clutch, .107 |
| | | 1 | T | | | ER0 | DGK | | |
| 30 | 04617176 | 1 | J | | | ER0 | DGK | | PLATE, Transmission Clutch Reaction |
| | | 1 | T | | | ER0 | DGK | | Rr. Clutch Pressure, Rear |
| 31 | 01942403 | 3 | J | | | ER0 | DGK | | PLATE, Front and Rear Clutch |
| | | 3 | T | | | ER0 | DGK | | Rear Clutch |
| 32 | 02466281 | 1 | J | | | ER0 | DGK | | PLATE, Clutch Pressure |
| | | 1 | T | | | ER0 | DGK | | Rear Clutch Pressure, Front |
| 33 | 02466283 | 1 | J | | | ER0 | DGK | | SPRING, Rear Clutch |
| | | 1 | T | | | ER0 | DGK | | Rear Clutch Wave |

GRAND CHEROKEE (ZJ)

SERIES LINE
 L = LOWLINE T = JEEP - 2WD
 J = JEEP - 4WD

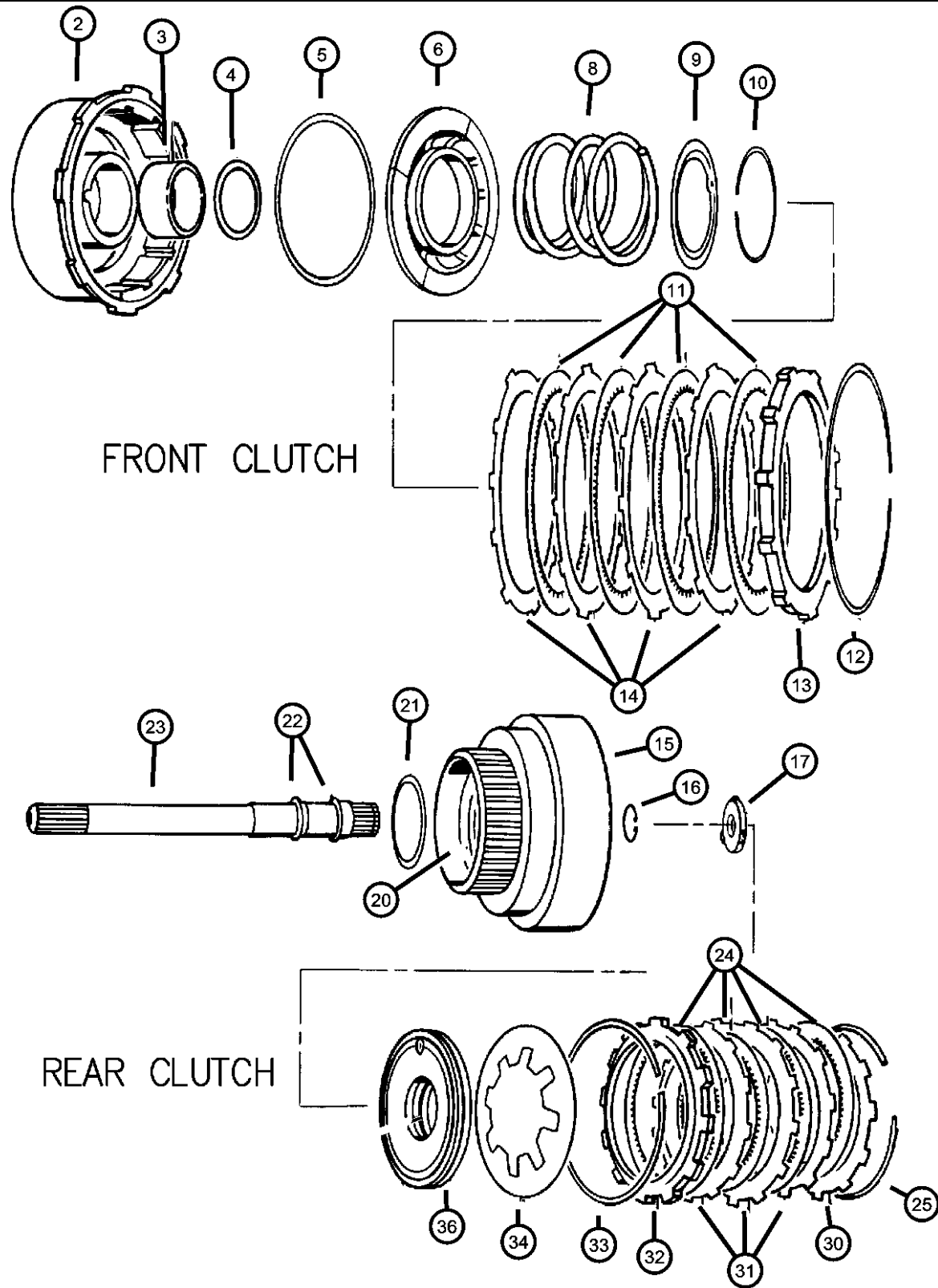
BODY
 74 = SPORT UTILITY 4-DR

ENGINE
 ELF = 5.2L V8 MPI Engine
 EML = 5.9L V8 MPI Engine
 ERH = 4.0L Power Tech I-6 Engine

TRANSMISSION
 DGK = 4-Spd. Automatic 42RE Transmission
 DGW = 4-Spd. Automatic 4RE Transmission
 DG0 = Transmissions - All Automatic

AR = use ase required - = Non illustrated part

**Clutch, Front And Rear With Gear Train Automatic Transmission, 4 Speed, 42Re
Figure 42RE-410**



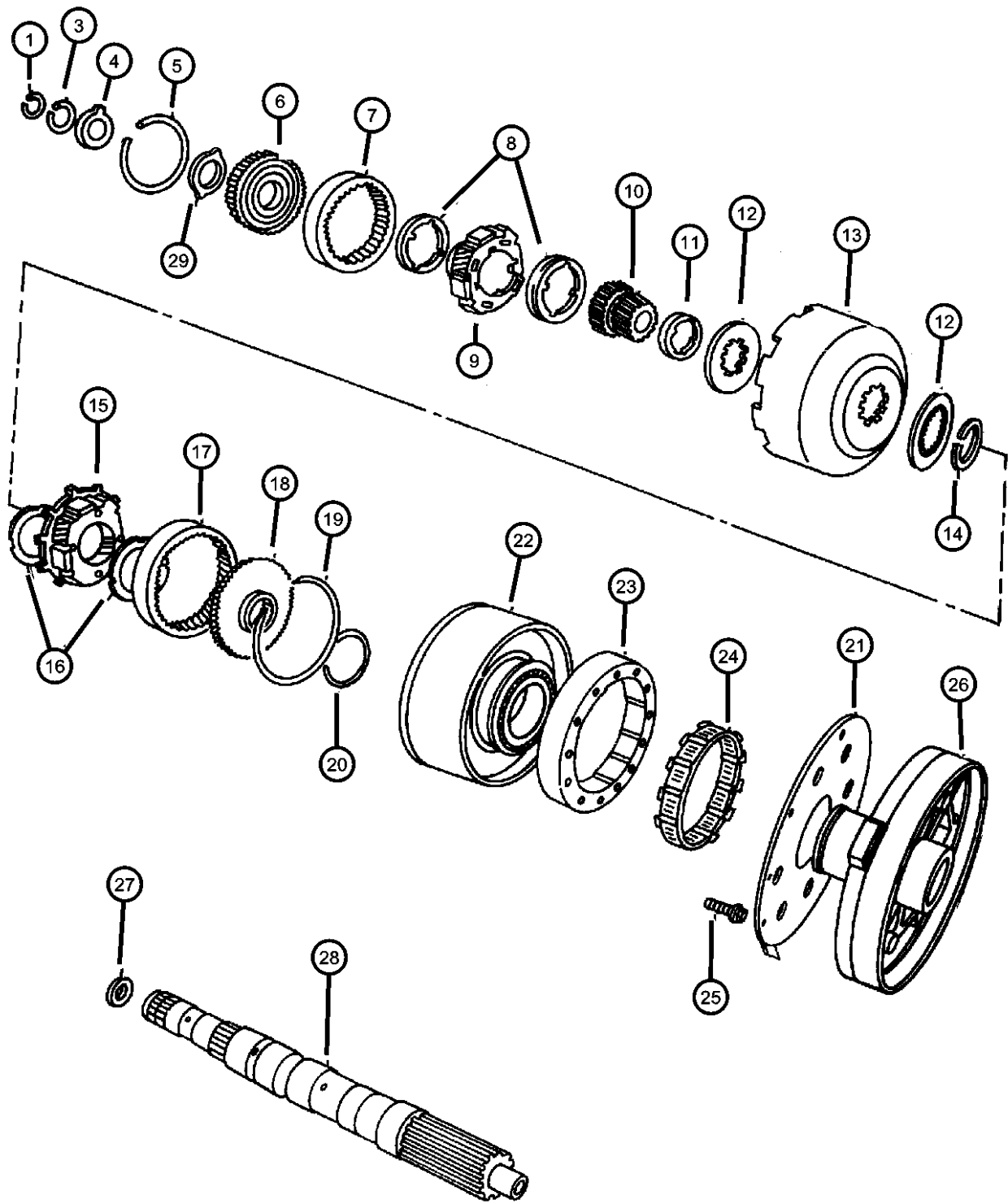
| ITEM | PART NUMBER | QTY | LINE | SERIES | BODY | ENGINE | TRANS | TRIM | DESCRIPTION |
|------|-------------|-----|------|--------|------|---------------|-------|------|-----------------------------------|
| 34 | 04728487 | 1 | J | | | ER0 | DGK | | SPRING, Rear Clutch Piston |
| | | 1 | T | | | ER0 | DGK | | Rear Clutch Piston |
| -35 | 02538695 | 1 | J | | | ER0 | DGK | | SEAL, Rear Clutch Piston |
| | | 1 | T | | | ER0 | DGK | | Rear Clutch Piston, Rubber, Outer |
| 36 | 03515716 | 1 | J | | | ER0 | DGK | | PISTON, Clutch |
| | | 1 | T | | | ER0 | DGK | | Rear Clutch |
| -37 | 02538510 | 1 | J | | | ER0 | DGK | | SEAL, Rear Clutch Piston |
| | | 1 | T | | | ER0 | DGK | | Rear Clutch Piston, Rubber, Inner |
| -38 | 04798133 | 1 | J | | | EL0, EM0, ER0 | DG0 | | GEAR, Differential |

GRAND CHEROKEE (ZJ)

| | | | | |
|-------------|----------------|-------------------------|----------------------------------|-------------------------------------|
| SERIES | LINE | BODY | ENGINE | TRANSMISSION |
| L = LOWLINE | T = JEEP - 2WD | 74 = SPORT UTILITY 4-DR | ELF = 5.2L V8 MPI Engine | DGK = 4-Spd. Automatic 42RE |
| | J = JEEP - 4WD | | EML = 5.9L V8 MPI Engine | Transmission |
| | | | ERH = 4.0L Power Tech I-6 Engine | DGW = 4-Spd. Automatic 4RE |
| | | | | Transmission |
| | | | | DG0 = Transmissions - All Automatic |

AR = use ase required - = Non illustrated part

**Gear Train And Intermediate Shaft Automatic Transmission, 4 Speed, 42Re
Figure 42RE-420**



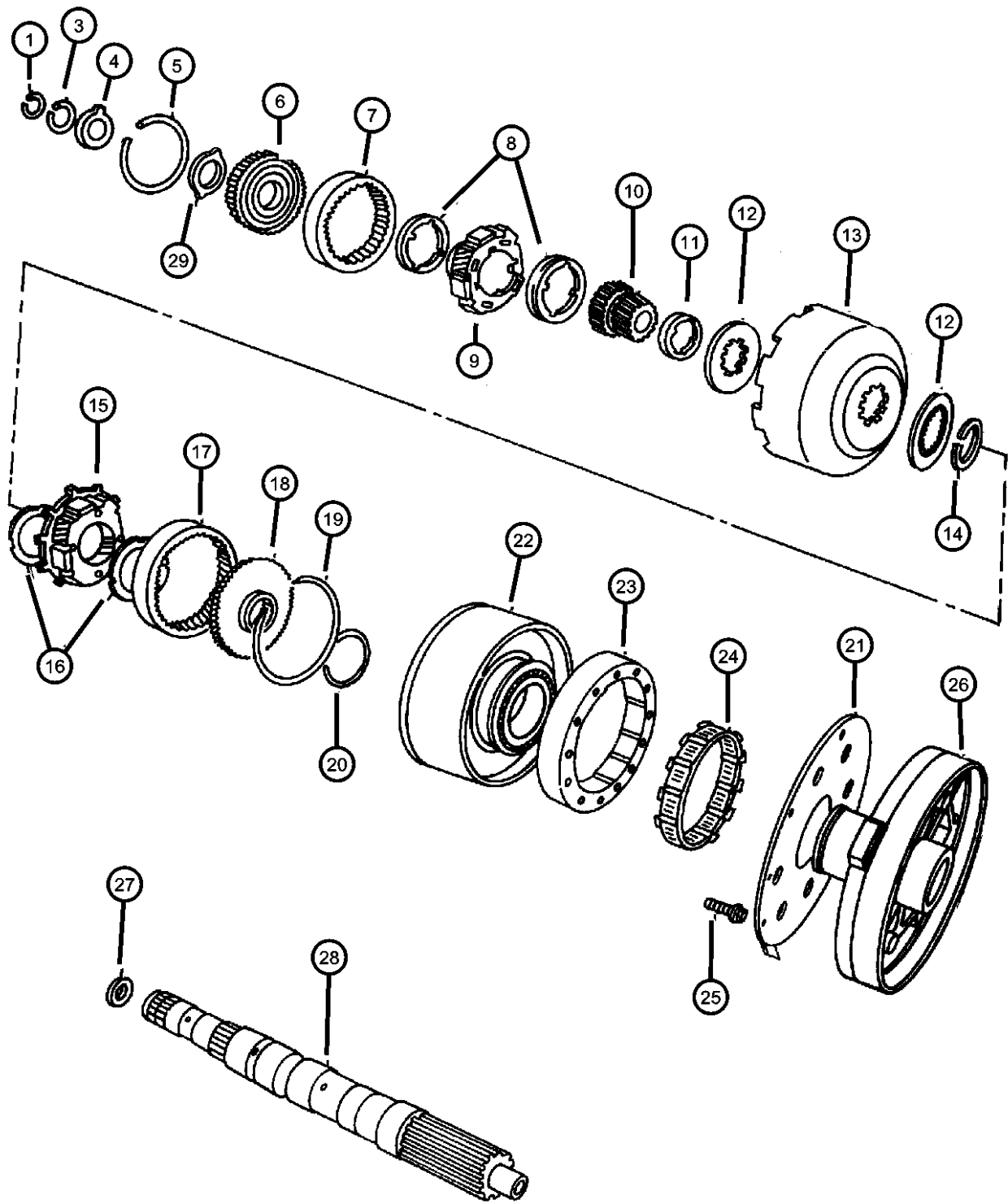
| ITEM | PART NUMBER | QTY | LINE | SERIES | BODY | ENGINE | TRANS | TRIM | DESCRIPTION |
|------|-------------|-----|------|--------|------|--------|-------|------|--|
| 1 | 06026289 | 1 | J | | | ER0 | DGK | | SNAP RING, .946 ID |
| -2 | 06030404 | 1 | J | | | ER0 | DGK | | SNAP RING, Output Shaft, 1.029 OD |
| 3 | 06030576 | 1 | J | | | ER0 | DGK | | SNAP RING, Annulus Gear, 1.375 ID |
| 4 | 03681969 | 1 | J | | | ER0 | DGK | | FRONT ANNULUS GEAR SUPPORT, 1-3/8" I.D. |
| 5 | 06035238 | 1 | J | | | ER0 | DGK | | SNAP RING |
| 6 | 04617774 | 1 | J | | | ER0 | DGK | | SUPPORT, Annulus Gear w/Bushing, Frt. Annulus Gear |
| 7 | 04130512 | 1 | J | | | ER0 | DGK | | GEAR, Front Annulus |
| 8 | 04130518 | 2 | J | | | ER0 | DGK | | THRUST WASHER, Planetary Carrier |
| 9 | 04130514 | 1 | J | | | ER0 | DGK | | CARRIER, Planetary Pinion |
| 10 | 04130685 | 1 | J | | | ER0 | DGK | | GEAR, Sun |
| 11 | | 1 | T | | | ER0 | DGK | | SPACER, Sun Gear |

GRAND CHEROKEE (ZJ)

| | | | | |
|-------------|----------------------------------|-------------------------|--|--|
| SERIES | LINE | BODY | ENGINE | TRANSMISSION |
| L = LOWLINE | T = JEEP - 2WD J = JEEP - 4WD | 74 = SPORT UTILITY 4-DR | ELF = 5.2L V8 MPI Engine EML = 5.9L V8 MPI Engine ERH = 4.0L Power Tech I-6 Engine | DGK = 4-Spd. Automatic 42RE Transmission DGW = 4-Spd. Automatic 4RE Transmission DG0 = Transmissions - All Automatic |

AR = use ase required - = Non illustrated part

Gear Train And Intermediate Shaft Automatic Transmission, 4 Speed, 42Re
Figure 42RE-420



| ITEM | PART NUMBER | QTY | LINE | SERIES | BODY | ENGINE | TRANS | TRIM | DESCRIPTION |
|------|-------------|-----|------|--------|------|--------|-------|------|--|
| | 04130736 | 1 | J | | | ER0 | DGK | | Sun Gear, 4 Inner Teeth, 2" O.D. |
| | | 1 | T | | | ER0 | DGK | | Sun Gear, 4 Inner Teeth, 2" O.D. |
| 12 | 04471566 | 2 | J | | | ER0 | DGK | | PLATE, Transmission Module |
| | | 2 | T | | | ER0 | DGK | | Sun Gear Driving Shell, Thrust |
| 13 | 04531288 | 1 | J | | | ER0 | DGK | | Sun Gear Driving |
| | | 1 | T | | | ER0 | DGK | | Sun Gear Driving |
| 14 | 01942439 | 1 | J | | | ER0 | DGK | | SNAP RING, Sun Gear Shell |
| | | 1 | T | | | ER0 | DGK | | Sun Gear Driving Shell, Lock 1-41/64" O.D. |
| 15 | 04431438 | 1 | J | | | ER0 | DGK | | CARRIER, Planetary Pinion |
| | | 1 | T | | | ER0 | DGK | | Rear Planet Pinion |
| 16 | 03681935 | 1 | J | | | ER0 | DGK | | THRUST WASHER, Planetary Carrier |
| | | 1 | T | | | ER0 | DGK | | Rear Planet Pinion |
| 17 | 03743184 | 1 | J | | | ER0 | DGK | | GEAR, Rear Annulus |
| | | 1 | T | | | ER0 | DGK | | Rear Annulus |
| 18 | 03515501 | 1 | J | | | ER0 | DGK | | SUPPORT, Annulus Gear |
| | | 1 | T | | | ER0 | DGK | | Rr. Annulus Gear, 62T-28T, 4" O.D. |
| 19 | 01942444 | 1 | J | | | ER0 | DGK | | SNAP RING |
| | | 1 | T | | | ER0 | DGK | | Rr. Annulus Gear, 4-1/16" O.D. |
| 20 | 06033480 | 1 | J | | | ER0 | DGK | | SNAP RING, Reverse Drum |
| | | 1 | T | | | ER0 | DGK | | Reverse Drum Retaining |
| 21 | 04471564 | 1 | J | | | ER0 | DGK | | GASKET, Overdrive Piston Retainer |
| | | 1 | T | | | ER0 | DGK | | O/Drive Cl. Piston Retainer To Case |

GRAND CHEROKEE (ZJ)

SERIES LINE
 L = LOWLINE T = JEEP - 2WD
 J = JEEP - 4WD

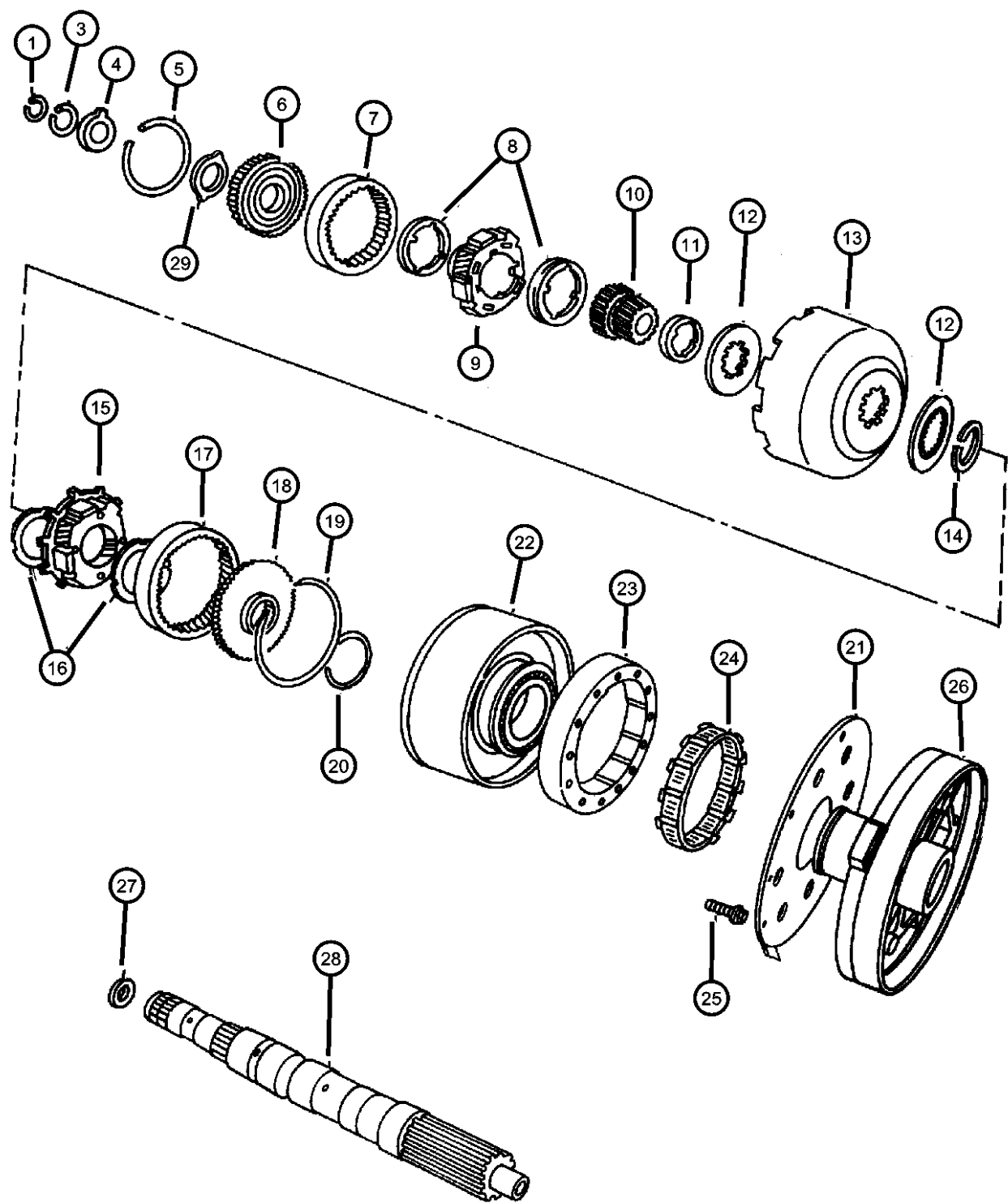
BODY
 74 = SPORT UTILITY 4-DR

ENGINE
 ELF = 5.2L V8 MPI Engine
 EML = 5.9L V8 MPI Engine
 ERH = 4.0L Power Tech I-6 Engine

TRANSMISSION
 DGK = 4-Spd. Automatic 42RE Transmission
 DGW = 4-Spd. Automatic 4RE Transmission
 DG0 = Transmissions - All Automatic

AR = use ase required - = Non illustrated part

**Gear Train And Intermediate Shaft Automatic Transmission, 4 Speed, 42Re
Figure 42RE-420**

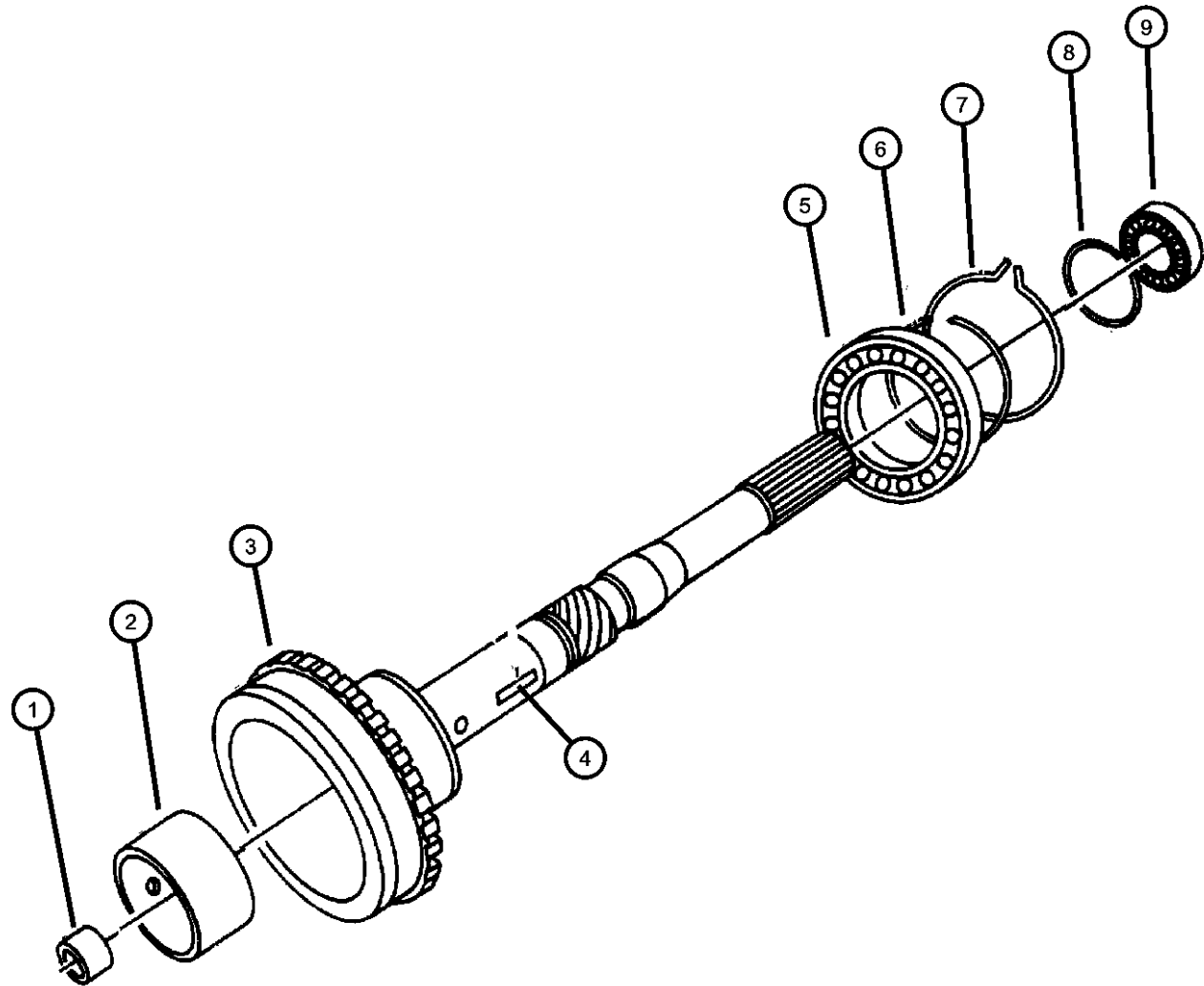


| ITEM | PART NUMBER | QTY | LINE | SERIES | BODY | ENGINE | TRANS | TRIM | DESCRIPTION |
|------|-------------|-----|------|--------|------|--------|-------|------|--|
| | | 1 | T | | | ER0 | DGK | | O/Drive Cl. Piston Retainer To Case |
| 22 | | 1 | J | | | ER0 | DGK | | DRUM PACKAGE, Transmission |
| | 04637956 | 1 | T | | | ER0 | DGK | | Reverse |
| 23 | | 1 | J | | | ER0 | DGK | | Reverse |
| | 04431690 | 1 | T | | | ER0 | DGK | | CAM, Overrunning Clutch |
| | | 1 | J | | | ER0 | DGK | | "O" Running Clutch |
| 24 | | 1 | T | | | ER0 | DGK | | "O" Running Clutch |
| | 04431432 | 1 | J | | | ER0 | DGK | | CLUTCH, Overrunning |
| | | 1 | T | | | ER0 | DGK | | w/Rollers and Springs, "O" Running Clutch |
| 25 | | 1 | J | | | ER0 | DGK | | w/Rollers and Springs, "O" Running Clutch |
| | 06033616 | 5 | T | | | ER0 | DGK | | SCREW, Hex Flange Head, .25-28x.875 |
| 26 | | 5 | J | | | ER0 | DGK | | RETAINER, Transmission |
| | 04617246 | 1 | J | | | ER0 | DGK | | Overdrive Clutch Piston |
| | | 1 | T | | | ER0 | DGK | | Piston |
| 27 | | 1 | J | | | ER0 | DGK | | PLATE, Transmission Module |
| | 04505188 | 1 | T | | | ER0 | DGK | | Intermediate Shaft Thrust, .060" Thk. |
| 28 | | 1 | J | | | ER0 | DGK | | INTERMEDIATE SHAFT, Transmission |
| | 04617604 | 1 | T | | | ER0 | DGK | | w/Plug, Intermediate |
| | | 1 | J | | | ER0 | DGK | | w/Plug, Intermediate |
| 29 | | 1 | J | | | ER0 | DGK | | PLATE, Annulus Gear Thrust |
| | 04617775 | 1 | T | | | ER0 | DGK | | Front Annulus Gear Support Thrust, 2.168"O.D., 1.515", .030" Thick |
| | | 1 | J | | | ER0 | DGK | | Front Annulus Gear Support Thrust, 2.168"O.D., 1.515", .030" Thick |

GRAND CHEROKEE (ZJ)
 SERIES LINE BODY ENGINE TRANSMISSION
 L = LOWLINE T = JEEP - 2WD 74 = SPORT UTILITY 4-DR ELF = 5.2L V8 MPI Engine DGK = 4-Spd. Automatic 42RE
 J = JEEP - 4WD EML = 5.9L V8 MPI Engine Transmission
 ERH = 4.0L Power Tech I-6 Engine DGW = 4-Spd. Automatic 4RE
 Transmission
 DG0 = Transmissions - All Automatic

AR = use ase required - = Non illustrated part

**Output Shaft Automatic Transmission, 4 Speed, 42Re
Figure 42RE-430**



| ITEM | PART NUMBER | QTY | LINE | SERIES | BODY | ENGINE | TRANS | TRIM | DESCRIPTION |
|------|-------------|-----|------|--------|------|---------------|-------|------|--|
| 1 | | 1 | | | | | | | BUSHING, O/P Shaft Pilot, (Serviced in O/P Shaft), (NOT SERVICED), |
| 2 | | 1 | | | | | | | BUSHING, Not Serviced, (NOT SERVICED) |
| 3 | | | | | | | | | SHAFT, Output |
| | 04798536 | 1 | J | | | ER0 | DGK | | |
| | 04864501 | 1 | T | | | ER0 | DGK | | |
| 4 | 04864501 | 1 | | | | | | | KEY, Shaft, O/P Shaft Gov. Drive (Not Serviced), (NOT SERVICED) |
| 5 | | | | | | | | | BEARING, Output Shaft |
| | 04461008 | 1 | T | | | ER0 | DGK | | Front |
| | | 1 | J | | | EM0 | DGW | | Front |
| 6 | | | | | | | | | SNAP RING |
| | 04461068 | 1 | T | | | EL0 | DGW | | O/P Shaft Front Bearing |
| | | 1 | T | | | ER0 | DGK | | O/P Shaft Front Bearing |
| | | 1 | J | | | ER0 | DGK | | O/P Shaft Front Bearing |
| | | 1 | J | | | EM0 | DGW | | O/P Shaft Front Bearing |
| | | 1 | J | | | EL0 | DGW | | O/P Shaft Front Bearing |
| 7 | | | | | | | | | SNAP RING |
| | 04461057 | 1 | T | | | EL0 | DGW | | O/P Shaft Brg. to Case |
| | | 1 | J | | | ER0 | DGK | | O/P Shaft Brg. to Case |
| | | 1 | J | | | EM0 | DGW | | O/P Shaft Brg. to Case |
| | | 1 | J | | | EL0 | DGW | | O/P Shaft Brg. to Case |
| 8 | | | | | | | | | SNAP RING |
| | 04461069 | 1 | T | | | EL0 | DGW | | O/P Shaft Rear Bearing |
| | | 1 | T | | | ER0 | DGK | | O/P Shaft Rear Bearing |
| 9 | | | | | | | | | BEARING, Output Shaft |
| | 02466224 | 1 | T | | | ER0 | DGK | | O/P Shaft, Rear, 2.8344 O.D. |
| | | 1 | J | | | EL0, EM0, ER0 | DG0 | | O/P Shaft, Rear, 2.8344 O.D. |

GRAND CHEROKEE (ZJ)

SERIES LINE
L = LOWLINE T = JEEP - 2WD
 J = JEEP - 4WD

BODY
74 = SPORT UTILITY 4-DR

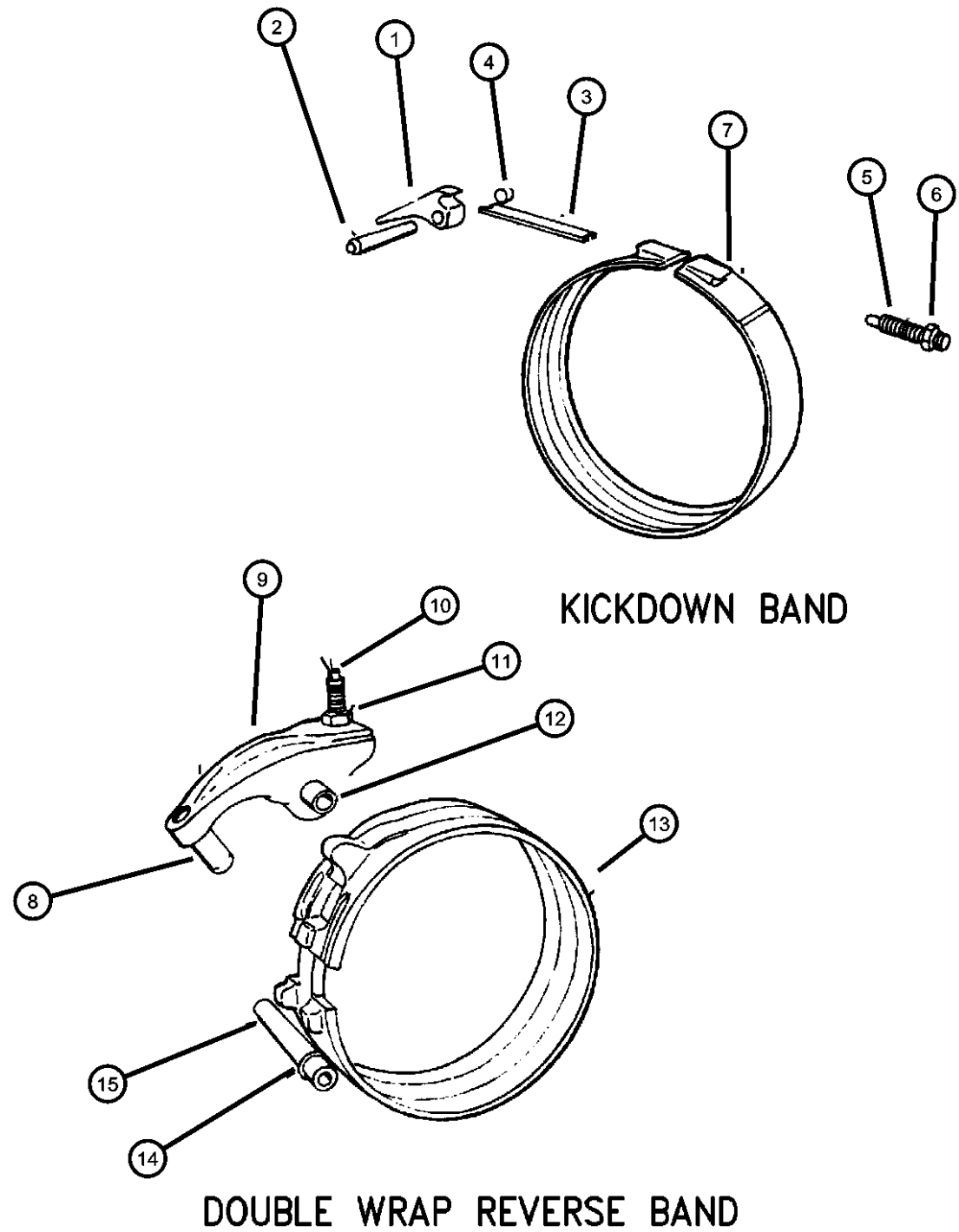
ENGINE
ELF = 5.2L V8 MPI Engine
EML = 5.9L V8 MPI Engine
ERH = 4.0L Power Tech I-6 Engine

TRANSMISSION
DGK = 4-Spd. Automatic 42RE Transmission
DGW = 4-Spd. Automatic 4RE Transmission
DG0 = Transmissions - All Automatic

AR = use ase required - = Non illustrated part

1997 ZJ

**Bands, Reverse And Kickdown With Linkage Automatic Transmission, 4 Speed, 42Re
Figure 42RE-510**



| ITEM | PART NUMBER | QTY | LINE | SERIES | BODY | ENGINE | TRANS | TRIM | DESCRIPTION |
|------|-------------|-----|------|--------|------|--------|-------|------|---|
| 1 | 52118264 | 1 | J | | | ER0 | DGK | | LEVER, Kickdown |
| | | 1 | T | | | ER0 | DGK | | Kickdown Band |
| 2 | 04531181 | 1 | J | | | ER0 | DGK | | SHAFT, Band Lever |
| | | 1 | T | | | ER0 | DGK | | Kickdown Band |
| 3 | 03515084 | 1 | J | | | ER0 | DGK | | STRUT, Kickdown Band |
| | | 1 | T | | | ER0 | DGK | | Kickdown Band |
| 4 | | 1 | | | | | | | PLUG, Pipe, .250-18x.560, (NOT SERVICED), |
| 5 | 01942477 | 1 | J | | | ER0 | DGK | | SCREW, Trans Kickdown Band Adjusting, .5-20x2.88 |
| | | 1 | T | | | ER0 | DGK | | Kickdown Band Adjusting |
| 6 | 00124934 | 1 | J | | | ER0 | DGK | | NUT, Hex Jam, .50-20 |
| | | 1 | T | | | ER0 | DGK | | Kickdown Band Adjust Screw |
| 7 | 04617849 | 1 | J | | | ER0 | DGK | | Kickdown Band Adjust Screw |
| | | 1 | T | | | ER0 | DGK | | BAND, Kickdown |
| 8 | 04202764 | 1 | J | | | ER0 | DGK | | LEVER, Reverse Band |
| | | 1 | T | | | ER0 | DGK | | w/Stem |
| 9 | 04202765 | 1 | J | | | ER0 | DGK | | LEVER, Reverse Band |
| | | 1 | T | | | ER0 | DGK | | w/Stem |
| 10 | 02538472 | 1 | J | | | ER0 | DGK | | SCREW, Trans Reverse Band Adjusting, .375-24-1.88 |
| | | 1 | T | | | ER0 | DGK | | Reverse Band Adjusting |
| 11 | 00114942 | 1 | T | | | ER0 | DGK | | NUT, Hex, .375-24 |
| | | 1 | J | | | ER0 | DGK | | Reverse Band Adjusting |
| 12 | 03410102 | 1 | J | | | ER0 | DGK | | SHAFT, Reverse Band |
| | | 1 | T | | | ER0 | DGK | | Reverse Band Lever |

GRAND CHEROKEE (ZJ)

SERIES LINE
 L = LOWLINE T = JEEP - 2WD
 J = JEEP - 4WD

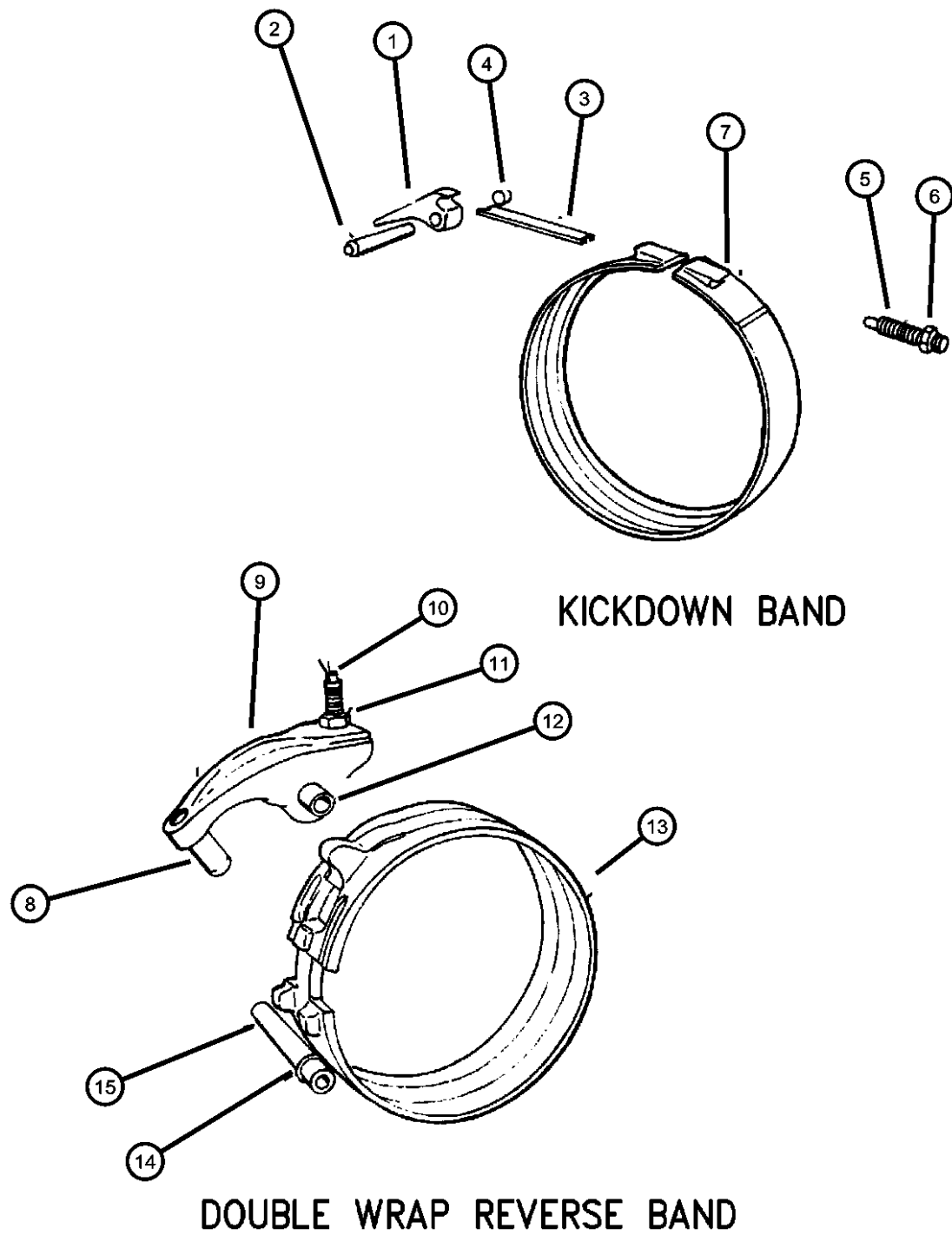
BODY
 74 = SPORT UTILITY 4-DR

ENGINE
 ELF = 5.2L V8 MPI Engine
 EML = 5.9L V8 MPI Engine
 ERH = 4.0L Power Tech I-6 Engine

TRANSMISSION
 DGK = 4-Spd. Automatic 42RE Transmission
 DGW = 4-Spd. Automatic 4RE Transmission
 DG0 = Transmissions - All Automatic

AR = use ase required - = Non illustrated part

Bands, Reverse And Kickdown With Linkage Automatic Transmission, 4 Speed, 42Re
Figure 42RE-510



| ITEM | PART NUMBER | QTY | LINE | SERIES | BODY | ENGINE | TRANS | TRIM | DESCRIPTION |
|------|-------------|-----|------|--------|------|--------|-------|------|-----------------------|
| 13 | | 1 | T | | | ER0 | DGK | | Reverse Band Lever |
| | 04431406 | 1 | J | | | ER0 | DGK | | BAND, Reverse |
| 14 | | 1 | T | | | ER0 | DGK | | O RING, Steering Gear |
| | 06030657 | 1 | J | | | ER0 | DGK | | |
| | | 1 | T | | | ER0 | DGK | | |
| 15 | | 1 | J | | | ER0 | DGK | | SHAFT, Reverse Band |
| | 03410102 | 1 | J | | | ER0 | DGK | | Reverse Band Reaction |
| | | 1 | T | | | ER0 | DGK | | Reverse Band Reaction |

GRAND CHEROKEE (ZJ)

SERIES LINE
 L = LOWLINE T = JEEP - 2WD
 J = JEEP - 4WD

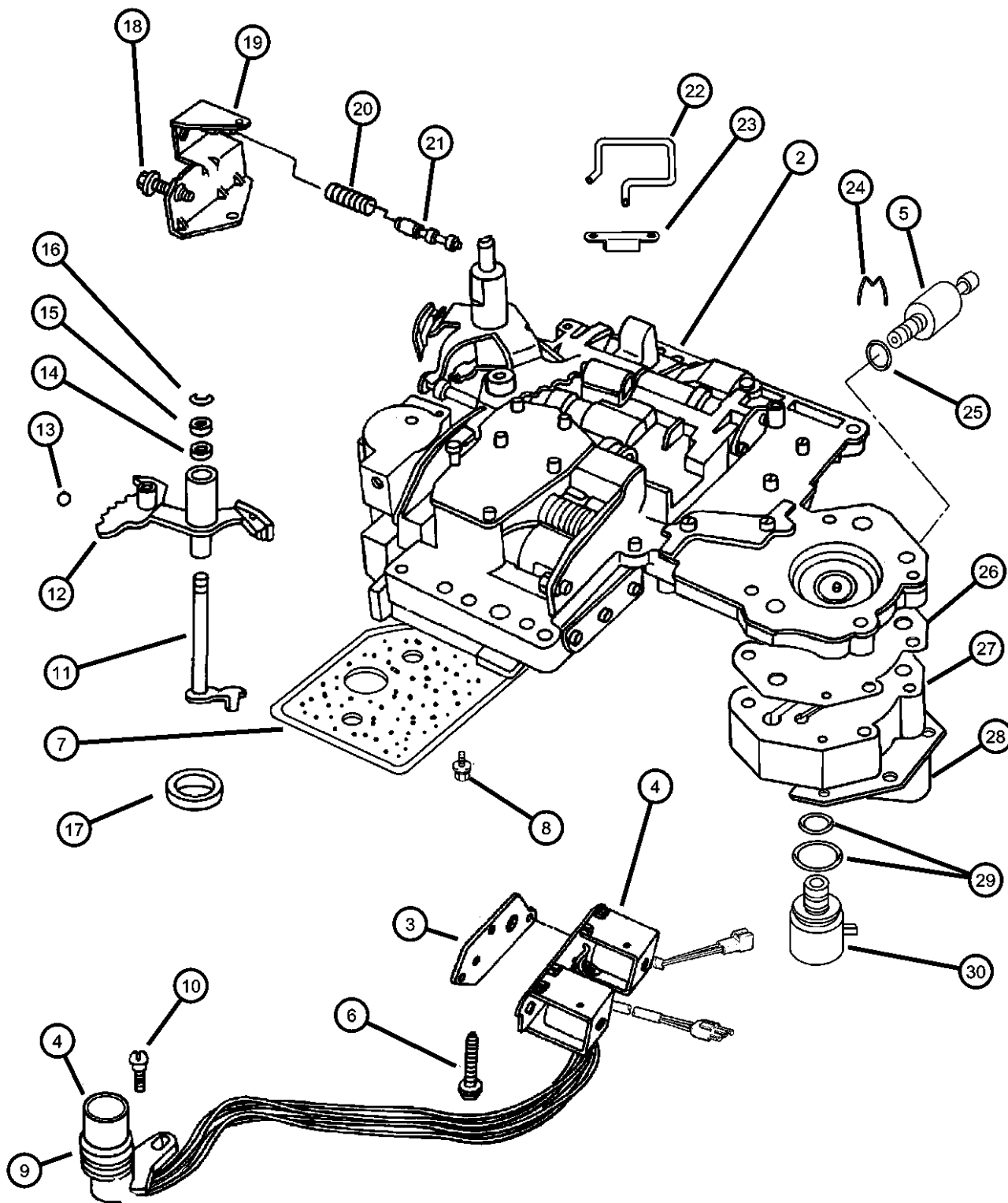
BODY
 74 = SPORT UTILITY 4-DR

ENGINE
 ELF = 5.2L V8 MPI Engine
 EML = 5.9L V8 MPI Engine
 ERH = 4.0L Power Tech I-6 Engine

TRANSMISSION
 DGK = 4-Spd. Automatic 42RE Transmission
 DGW = 4-Spd. Automatic 4RE Transmission
 DG0 = Transmissions - All Automatic

AR = use ase required - = Non illustrated part

**Valve Body Automatic Transmission, 4 Speed, 42Re
Figure 42RE-710**



| ITEM | PART NUMBER | QTY | LINE | SERIES | BODY | ENGINE | TRANS | TRIM | DESCRIPTION |
|------|-------------|-----|------|--------|------|--------|-------|------|---|
| -1 | | | | | | | | | SEAL AND GASKET PACKAGE, Valve Body and Servo |
| | 04863933 | 1 | T | | | ER0 | DGK | | Valve Body and Servo Recondition *** |
| | | 1 | J | | | ER0 | DGK | | Valve Body and Servo Recondition *** |
| 2 | | | | | | | | | BODY, Transfer Plate |
| | 52118649 | 1 | T | | | ER0 | DGK | | and Transfer Plate Assy., w/Lock-Up Valve *** |
| | | 1 | J | | | ER0 | DGK | | and Transfer Plate Assy., w/Lock-Up Valve *** |
| 3 | | | | | | | | | GASKET, Transmission Solenoid |
| | 52118510 | 1 | J | | | ER0 | DGK | | |
| | | 1 | T | | | ER0 | DGK | | |
| 4 | | | | | | | | | SOLENOID, Transmission Overdrive |
| | 04798221 | 1 | J | | | ER0 | DGK | | |
| | | 1 | T | | | ER0 | DGK | | |
| 5 | | | | | | | | | TRANSDUCER, Pressure Sensor |
| | 56027720 | 1 | J | | | ER0 | DGK | | |
| | | 1 | T | | | ER0 | DGK | | |
| 6 | | | | | | | | | BOLT, Valve Body, .25-20x1.75 |
| | 00181071 | 3 | J | | | ER0 | DGK | | Valve Body to Case, 1/4-20 x 1-3/4" |
| | | 3 | T | | | ER0 | DGK | | Valve Body to Case, 1/4-20 x 1-3/4" |
| 7 | | | | | | | | | FILTER, Valve Body |
| | 03515996 | 1 | J | | | ER0 | DGK | | Trans. Oil |
| | | 1 | T | | | ER0 | DGK | | Trans. Oil |
| 8 | | | | | | | | | SCREW AND WASHER, Oil Filter Mounting, Fillester Head .190-24x2.500 |
| | 06033826 | 3 | J | | | ER0 | DGK | | Oil Filter |
| | | 3 | T | | | ER0 | DGK | | Oil Filter |
| 9 | | | | | | | | | O RING, Solenoid Wiring, Transmission |
| | 06034748 | 2 | J | | | ER0 | DGK | | |
| | | 2 | T | | | ER0 | DGK | | |
| 10 | | | | | | | | | SCREW, Tapping, .19-24x.75 |
| | 06033985 | 1 | J | | | ER0 | DGK | | Solenoid Wiring Conn. Mtg. |
| | | 1 | T | | | ER0 | DGK | | Solenoid Wiring Conn. Mtg. |

GRAND CHEROKEE (ZJ)

SERIES LINE
L = LOWLINE T = JEEP - 2WD
 J = JEEP - 4WD

BODY
74 = SPORT UTILITY 4-DR

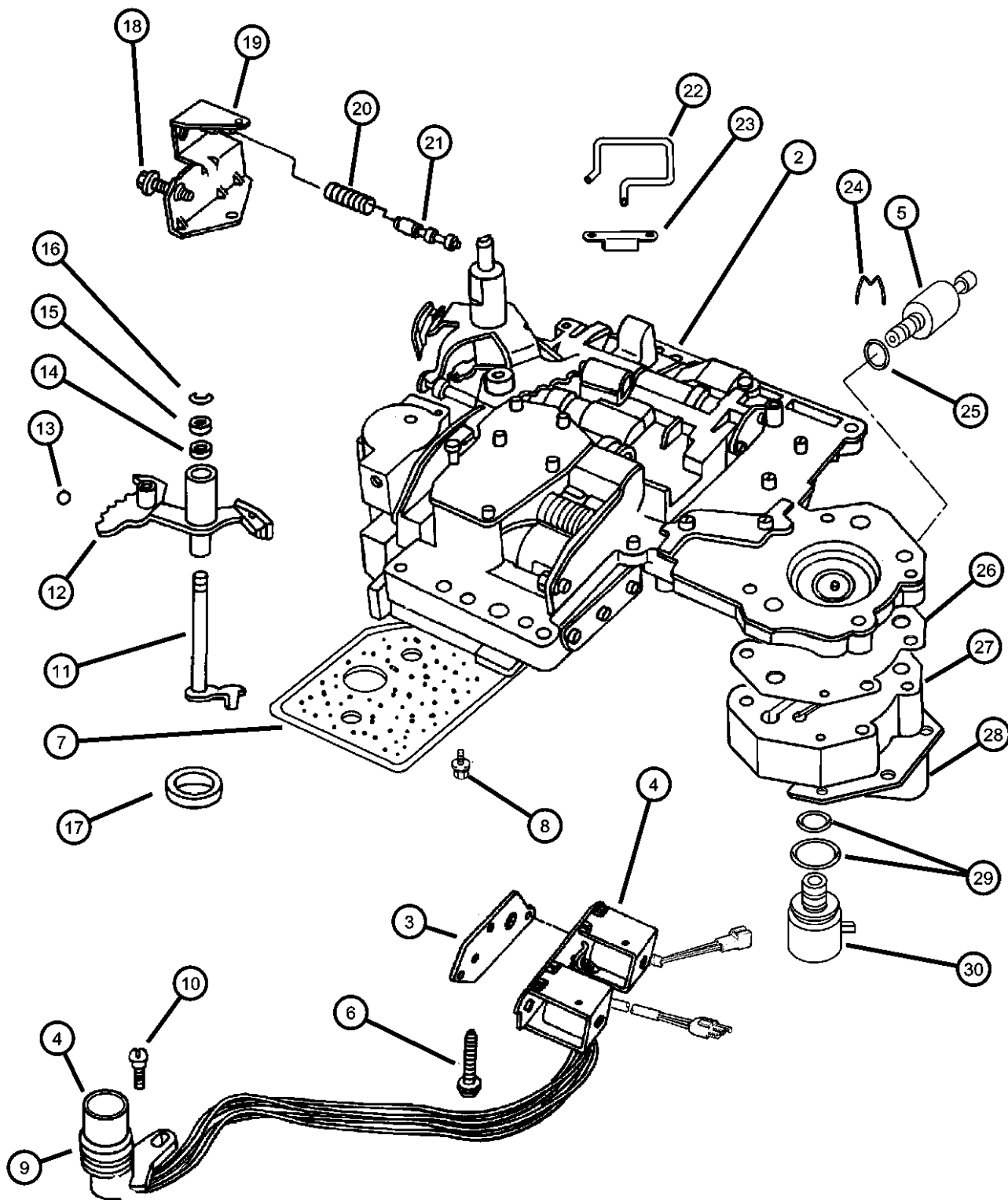
ENGINE
ELF = 5.2L V8 MPI Engine
EML = 5.9L V8 MPI Engine
ERH = 4.0L Power Tech I-6 Engine

TRANSMISSION
DGK = 4-Spd. Automatic 42RE Transmission
DGW = 4-Spd. Automatic 4RE Transmission
DG0 = Transmissions - All Automatic

AR = use ase required - = Non illustrated part

1997 ZJ

**Valve Body Automatic Transmission, 4 Speed, 42Re
Figure 42RE-710**



| ITEM | PART NUMBER | QTY | LINE | SERIES | BODY | ENGINE | TRANS | TRIM | DESCRIPTION |
|------|-------------|-----|------|--------|------|--------|-------|------|--|
| 11 | 03681227 | 1 | J | | | ER0 | DGK | | LEVER, Throttle Valve |
| | | 1 | T | | | ER0 | DGK | | Throttle Valve |
| 12 | 04617439 | 1 | J | | | ER0 | DGK | | LEVER, Manual Valve |
| | | 1 | T | | | ER0 | DGK | | w/Insulator, Manual Valve |
| 13 | 00147488 | 1 | J | | | ER0 | DGK | | BALL, Manual Lever Detent, .343 Diameter |
| | | 1 | T | | | ER0 | DGK | | Manual Lever Detent, 11/32" Dia. |
| 14 | 02466548 | 1 | J | | | ER0 | DGK | | SEAL, Valve Lever Shift |
| | | 1 | T | | | ER0 | DGK | | Throttle Lever Shaft, Rubber, 5/8" O.D. |
| | | 1 | T | | | ER0 | DGK | | Throttle Lever Shaft, Rubber, 5/8" O.D. |
| 15 | 02538062 | 1 | J | | | ER0 | DGK | | WASHER, Manual Valve Lever |
| | | 1 | T | | | ER0 | DGK | | Throttle Valve Lever Shaft |
| 16 | 06035208 | AR | J | | | ER0 | DGK | | SNAP RING |
| | | AR | T | | | ER0 | DGK | | Throttle Valve Lever Shaft |
| 17 | 04505098 | 1 | J | | | ER0 | DGK | | SEAL, Manual Shift Valve, 1.25 O.D. |
| | | 1 | T | | | ER0 | DGK | | Manual Valve , 1-1/4" O.D. |
| | | 1 | T | | | ER0 | DGK | | Manual Valve , 1-1/4" O.D. |
| 18 | 06030609 | 1 | J | | | ER0 | DGK | | SCREW, Cap Head Lock, .312-24x1.25 |
| | | 1 | T | | | ER0 | DGK | | Throttle Pressure Adjusting |
| 19 | 04617010 | 1 | J | | | ER0 | DGK | | BRACKET, Valve Body Switch |
| | | 1 | T | | | ER0 | DGK | | Throttle Pressure Adj. Screw |
| | | 1 | T | | | ER0 | DGK | | Throttle Pressure Adj. Screw |
| 20 | 04130492 | 1 | J | | | ER0 | DGK | | SPRING, Switch Valve |
| | | 1 | T | | | ER0 | DGK | | Switch Valve |
| 21 | 04505036 | 1 | J | | | ER0 | DGK | | VALVE, Trans Lockup Switch |
| | | 1 | J | | | ER0 | DGK | | Trans. Switch |

GRAND CHEROKEE (ZJ)

| | |
|-------------|----------------|
| SERIES | LINE |
| L = LOWLINE | T = JEEP - 2WD |
| | J = JEEP - 4WD |

| |
|-------------------------|
| BODY |
| 74 = SPORT UTILITY 4-DR |

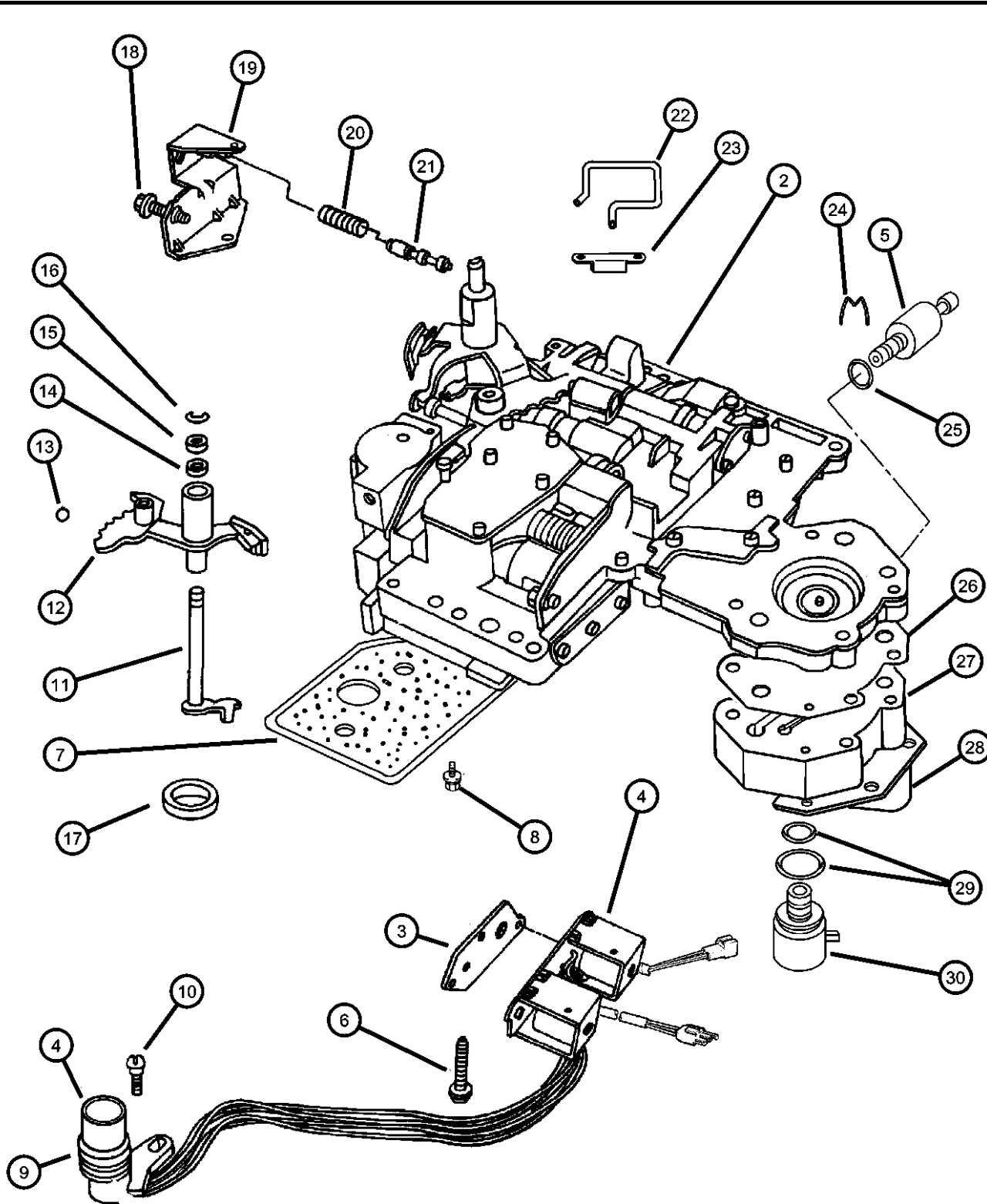
| |
|----------------------------------|
| ENGINE |
| ELF = 5.2L V8 MPI Engine |
| EML = 5.9L V8 MPI Engine |
| ERH = 4.0L Power Tech I-6 Engine |

| |
|--|
| TRANSMISSION |
| DGK = 4-Spd. Automatic 42RE Transmission |
| DGW = 4-Spd. Automatic 4RE Transmission |
| DG0 = Transmissions - All Automatic |

AR = use ase required - = Non illustrated part

1997 ZJ

Valve Body Automatic Transmission, 4 Speed, 42Re
Figure 42RE-710



| ITEM | PART NUMBER | QTY | LINE | SERIES | BODY | ENGINE | TRANS | TRIM | DESCRIPTION |
|------|-------------|-----|------|--------|------|--------|-------|------|--|
| | | 1 | T | | | ER0 | DGK | | Trans. Switch |
| 22 | | 1 | T | | | ER0 | DGK | | TUBE, Boost Valve |
| | 04617008 | 1 | J | | | ER0 | DGK | | Trans. Line Pressure Boost Valve Oil *** |
| | | 1 | T | | | ER0 | DGK | | Trans. Line Pressure Boost Valve Oil *** |
| 23 | | 1 | J | | | ER0 | DGK | | RETAINER, Boost Valve Oil Supply Tube |
| | 52117958 | 1 | J | | | ER0 | DGK | | Line Pressure Boost Valve Oil Tube |
| | | 1 | T | | | ER0 | DGK | | Line Pressure Boost Valve Oil Tube |
| 24 | | 1 | J | | | ER0 | DGK | | CLIP, Transmission Governor Transducer |
| | 04617219 | 1 | J | | | ER0 | DGK | | Gov. Pressure Transducer Retaining |
| | | 1 | T | | | ER0 | DGK | | Gov. Pressure Transducer Retaining |
| 25 | | 1 | J | | | ER0 | DGK | | O RING, Pressure Switch |
| | 06034493 | 1 | J | | | ER0 | DGK | | Pressure Sensor, .369 I.D. |
| | | 1 | T | | | ER0 | DGK | | Pressure Sensor, .369 I.D. |
| 26 | | 1 | J | | | ER0 | DGK | | GASKET, Transmission Solenoid |
| | 04617216 | 1 | J | | | ER0 | DGK | | Gov. Pressure Solenoid Body |
| | | 1 | T | | | ER0 | DGK | | Gov. Pressure Solenoid Body |
| 27 | | 1 | T | | | ER0 | DGK | | BODY, Governor, (Serviced in Assy.), (NOT SERVICED), |
| 28 | | 1 | T | | | ER0 | DGK | | RETAINER, Transmission Governor Solenoid |
| | 04617211 | 1 | J | | | ER0 | DGK | | Gov. Pressure Solenoid |
| | | 1 | T | | | ER0 | DGK | | Gov. Pressure Solenoid |
| 29 | | 1 | J | | | ER0 | DGK | | O RING PACKAGE, Valve Body, Transmission |
| | 04723549 | 1 | J | | | ER0 | DGK | | Solenoid, .494 I.D., .873 I.D. *** |
| | | 1 | T | | | ER0 | DGK | | Solenoid, .494 I.D., .873 I.D. *** |
| 30 | | 1 | J | | | ER0 | DGK | | SOLENOID, Transmission Governor |
| | 04617210 | 1 | J | | | ER0 | DGK | | Trans. Governor Pressure, 2 Prong Connector |
| | | 1 | T | | | ER0 | DGK | | Trans. Governor Pressure, 2 Prong Connector |
| -31 | | 1 | T | | | ER0 | DGK | | SCREEN, Transmission Regulator Valve |

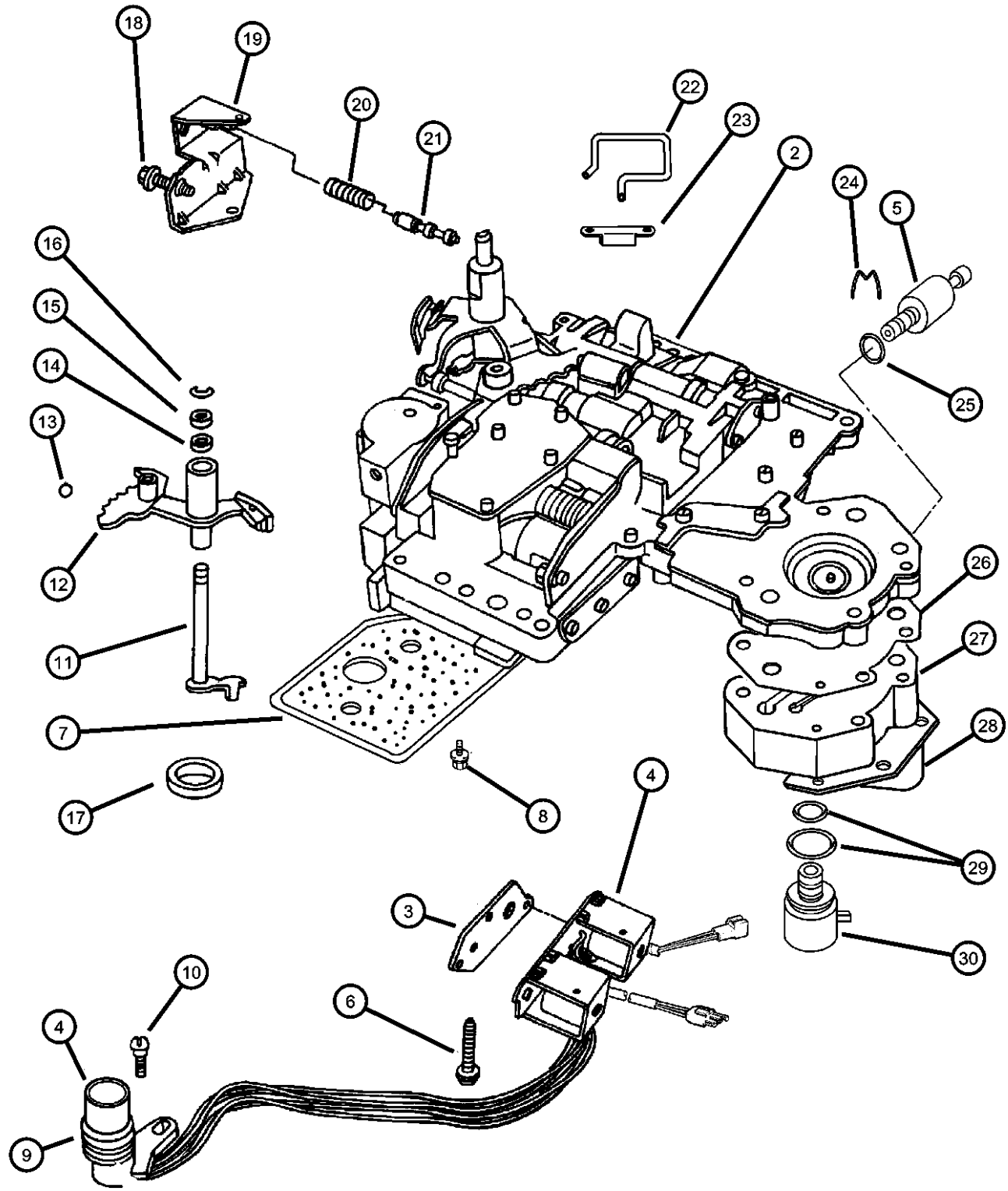
GRAND CHEROKEE (ZJ)

| SERIES | LINE | BODY | ENGINE | TRANSMISSION |
|-------------|----------------------------------|-------------------------|--|--|
| L = LOWLINE | T = JEEP - 2WD J = JEEP - 4WD | 74 = SPORT UTILITY 4-DR | ELF = 5.2L V8 MPI Engine EML = 5.9L V8 MPI Engine ERH = 4.0L Power Tech I-6 Engine | DGK = 4-Spd. Automatic 42RE Transmission DGW = 4-Spd. Automatic 4RE Transmission DG0 = Transmissions - All Automatic |

AR = use ase required - = Non illustrated part

1997 ZJ

Valve Body Automatic Transmission, 4 Speed, 42Re
Figure 42RE-710



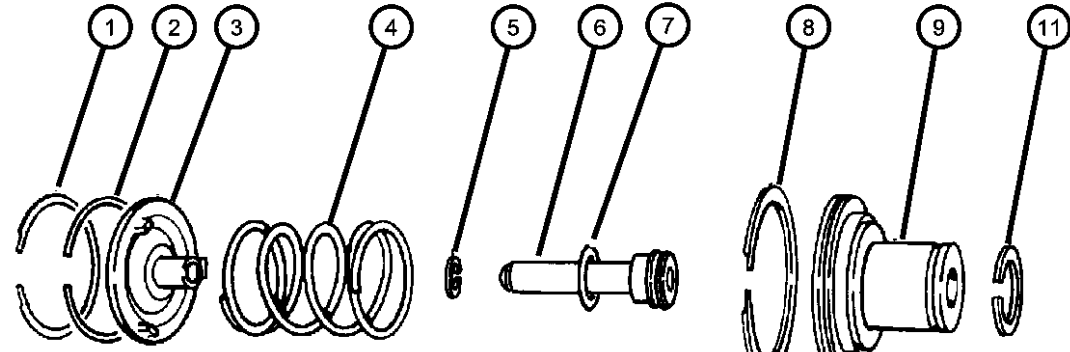
| ITEM | PART NUMBER | QTY | LINE | SERIES | BODY | ENGINE | TRANS | TRIM | DESCRIPTION |
|------|-------------|-----|------|--------|------|--------|-------|------|---------------------|
| | 03878313 | 1 | T | | | ER0 | DGK | | Regulator Valve |
| | | 1 | J | | | ER0 | DGK | | Regulator Valve |
| -32 | | | | | | | | | SPRING, Limit Valve |
| | 04348907 | 1 | J | | | ER0 | DGK | | Limit Valve |
| | | 1 | T | | | ER0 | DGK | | Limit Valve |

| | | | | | |
|----------------------------|----------------------------------|-------------------------|--|--|--|
| GRAND CHEROKEE (ZJ) | | | | | |
| SERIES | LINE | BODY | ENGINE | TRANSMISSION | |
| L = LOWLINE | T = JEEP - 2WD J = JEEP - 4WD | 74 = SPORT UTILITY 4-DR | ELF = 5.2L V8 MPI Engine EML = 5.9L V8 MPI Engine ERH = 4.0L Power Tech I-6 Engine | DGK = 4-Spd. Automatic 42RE Transmission DGW = 4-Spd. Automatic 4RE Transmission DG0 = Transmissions - All Automatic | |

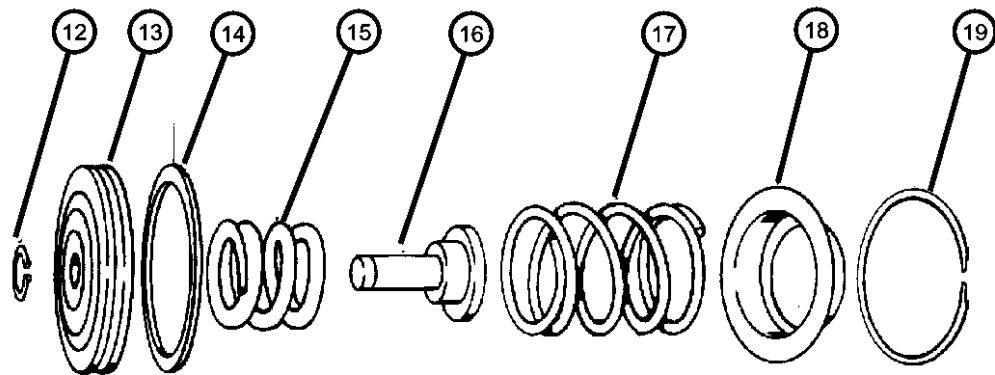
AR = use ase required - = Non illustrated part

Servos, Accumulator Piston And Spring Automatic Transmission
Figure 42RE-720

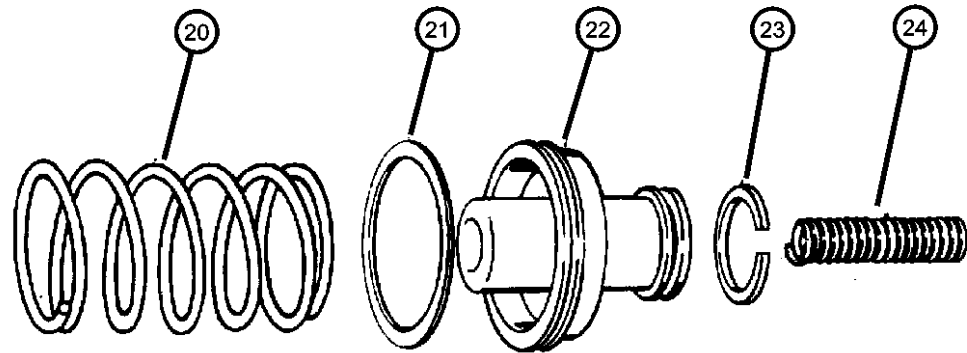
| ITEM | PART NUMBER | QTY | LINE | SERIES | BODY | ENGINE | TRANS | TRIM | DESCRIPTION |
|------|-------------|-----|------|--------|------|--------|-------|------|----------------------------------|
| 1 | 06028863 | 1 | J | | | ER0 | DGK | | SNAP RING, Kickdown, 2.377 |
| | | 1 | T | | | ER0 | DGK | | Kickdown Servo Piston Rod Guide |
| 2 | 04295966 | 1 | J | | | ER0 | DGK | | Kickdown Servo Piston Rod Guide |
| | | 1 | T | | | ER0 | DGK | | SEAL, Servo Guide |
| 3 | 03410332 | 1 | J | | | ER0 | DGK | | Kickdown Servo Piston Rod Guide |
| | | 1 | T | | | ER0 | DGK | | Kickdown Servo Piston Rod Guide |
| 4 | 04531119 | 1 | J | | | ER0 | DGK | | GUIDE, Kickdown Servo |
| | | 1 | T | | | ER0 | DGK | | SPRING, Kickdown Servo Piston |
| 5 | 06031392 | 1 | T | | | ER0 | DGK | | SNAP RING, Brake Master Cylinder |
| | | 1 | J | | | ER0 | DGK | | 1-1/8" I.D., Inner |
| 6 | 04058780 | 1 | J | | | ER0 | DGK | | 1-1/8" I.D., Inner |
| | | 1 | T | | | ER0 | DGK | | ROD, Kickdown Servo Piston |
| 7 | 06028864 | 1 | J | | | ER0 | DGK | | O RING, Kick Down Servo |
| | | 1 | T | | | ER0 | DGK | | O RING, Kick Down Servo |
| 8 | 04295966 | 1 | J | | | ER0 | DGK | | SEAL, Servo Guide |
| | | 1 | T | | | ER0 | DGK | | Piston, 2-3/8" O.D., Large |
| 9 | 04058777 | 1 | J | | | ER0 | DGK | | Piston, 2-3/8" O.D., Large |
| | | 1 | T | | | ER0 | DGK | | PISTON, Kickdown Servo |
| -10 | 06028864 | 1 | J | | | ER0 | DGK | | O RING, Kick Down Servo |
| | | 1 | T | | | ER0 | DGK | | Inner |
| 11 | 03743033 | 1 | J | | | ER0 | DGK | | Inner |
| | | 1 | J | | | ER0 | DGK | | SEAL, Kickdown Servo |
| | | 1 | J | | | ER0 | DGK | | 1" O.D., Small |



KICKDOWN SERVO



LOW AND REVERSE SERVO



ACCUMULATOR PISTON AND SPRING

GRAND CHEROKEE (ZJ)

SERIES LINE
L = LOWLINE T = JEEP - 2WD
J = JEEP - 4WD

BODY
74 = SPORT UTILITY 4-DR

ENGINE
ELF = 5.2L V8 MPI Engine
EML = 5.9L V8 MPI Engine
ERH = 4.0L Power Tech I-6 Engine

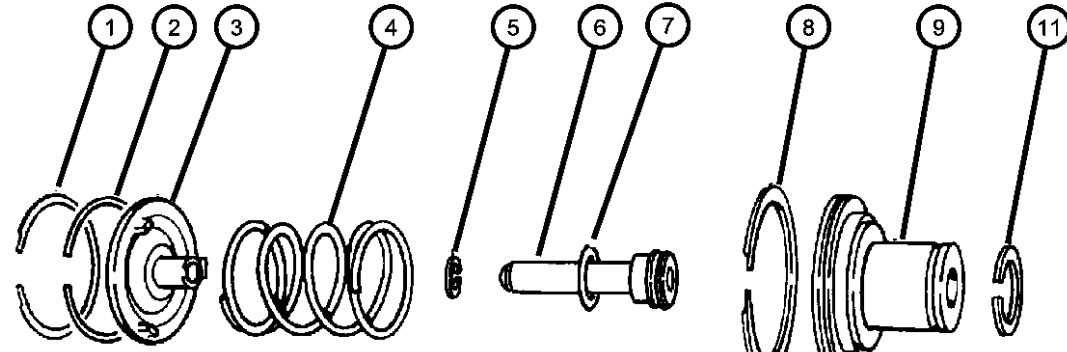
TRANSMISSION
DGK = 4-Spd. Automatic 42RE Transmission
DGW = 4-Spd. Automatic 4RE Transmission
DG0 = Transmissions - All Automatic

AR = use ase required - = Non illustrated part

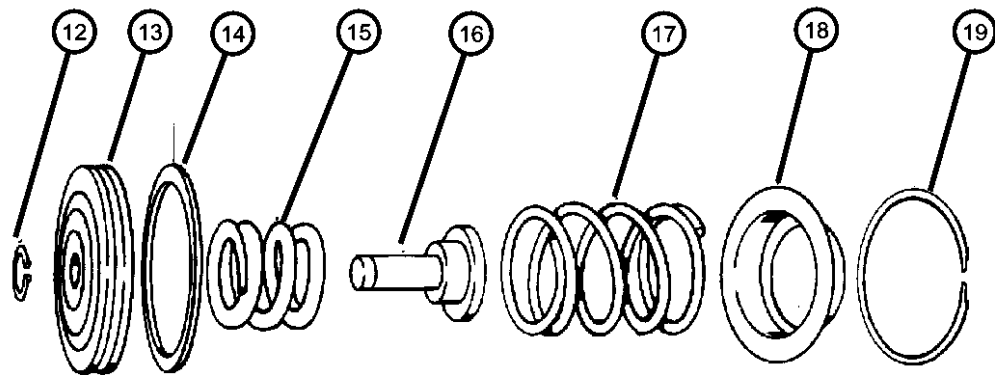
1997 ZJ

**Servos, Accumulator Piston And Spring Automatic Transmission
Figure 42RE-720**

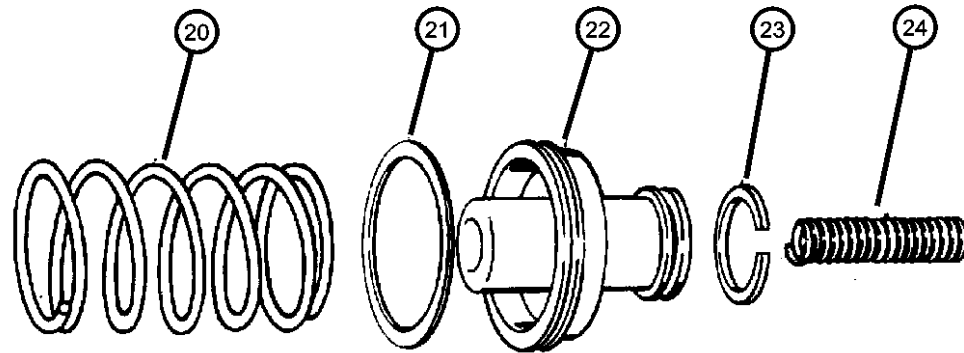
| ITEM | PART NUMBER | QTY | LINE | SERIES | BODY | ENGINE | TRANS | TRIM | DESCRIPTION |
|------|-------------|-----|------|--------|------|--------|-------|------|--|
| 12 | | 1 | T | | | ER0 | DGK | | 1" O.D., Small SNAP RING, .435 ID |
| | 06027153 | 1 | J | | | ER0 | DGK | | Reverse Servo Piston Plug, 7/16" I.D. |
| | | 1 | T | | | ER0 | DGK | | Reverse Servo Piston Plug, 7/16" I.D. |
| 13 | | 1 | J | | | ER0 | DGK | | PISTON, Reverse Servo |
| | 52118744 | 1 | J | | | ER0 | DGK | | |
| | | 1 | T | | | ER0 | DGK | | |
| 14 | 04202864 | 1 | T | | | ER0 | DGK | | SEAL, Reverse Servo Piston |
| 15 | | 1 | T | | | ER0 | DGK | | SPRING, Reverse Servo Piston |
| | 04130824 | 1 | J | | | ER0 | DGK | | |
| | | 1 | T | | | ER0 | DGK | | |
| 16 | | 1 | J | | | ER0 | DGK | | PLUG, Reverse Servo Piston |
| | 52118740 | 1 | J | | | ER0 | DGK | | |
| | | 1 | T | | | ER0 | DGK | | |
| 17 | | 1 | J | | | ER0 | DGK | | SPRING, Reverse Servo Piston |
| | 02801274 | 1 | J | | | ER0 | DGK | | |
| | | 1 | T | | | ER0 | DGK | | |
| 18 | | 1 | J | | | ER0 | DGK | | RETAINER, Transmission Rear Clutch |
| | 02464463 | 1 | J | | | ER0 | DGK | | Reverse Servo Piston Spring |
| | | 1 | T | | | ER0 | DGK | | Reverse Servo Piston Spring |
| 19 | | 1 | J | | | ER0 | DGK | | SNAP RING |
| | 02464464 | 1 | J | | | ER0 | DGK | | Reverse Servo Piston Spring Retainer |
| | | 1 | T | | | ER0 | DGK | | Reverse Servo Piston Spring Retainer |
| 20 | | 1 | J | | | ER0 | DGK | | SPRING, Transmission Accumulator |
| | 04531259 | 1 | J | | | ER0 | DGK | | Lower |
| | | 1 | T | | | ER0 | DGK | | Lower |
| 21 | | 1 | J | | | ER0 | DGK | | SEAL, Piston Accumulator |
| | 03743013 | 1 | J | | | ER0 | DGK | | Large |
| | | 1 | T | | | ER0 | DGK | | Large |
| 22 | | 1 | J | | | ER0 | DGK | | PISTON, Accumulator |
| | 03743650 | 1 | J | | | ER0 | DGK | | |



KICKDOWN SERVO



LOW AND REVERSE SERVO



ACCUMULATOR PISTON AND SPRING

GRAND CHEROKEE (ZJ)

SERIES LINE
L = LOWLINE T = JEEP - 2WD
J = JEEP - 4WD

BODY
74 = SPORT UTILITY 4-DR

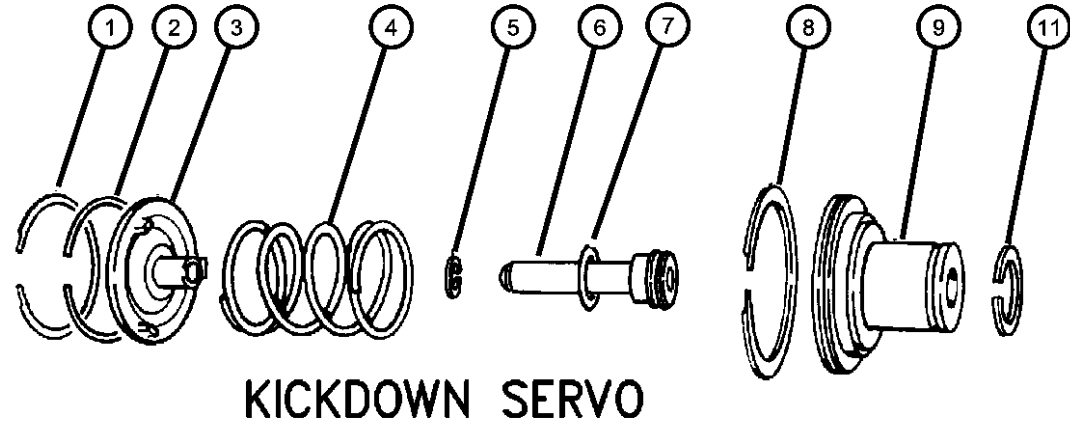
ENGINE
ELF = 5.2L V8 MPI Engine
EML = 5.9L V8 MPI Engine
ERH = 4.0L Power Tech I-6
Engine

TRANSMISSION
DGK = 4-Spd. Automatic 42RE
Transmission
DGW = 4-Spd. Automatic 4RE
Transmission
DG0 = Transmissions - All Automatic

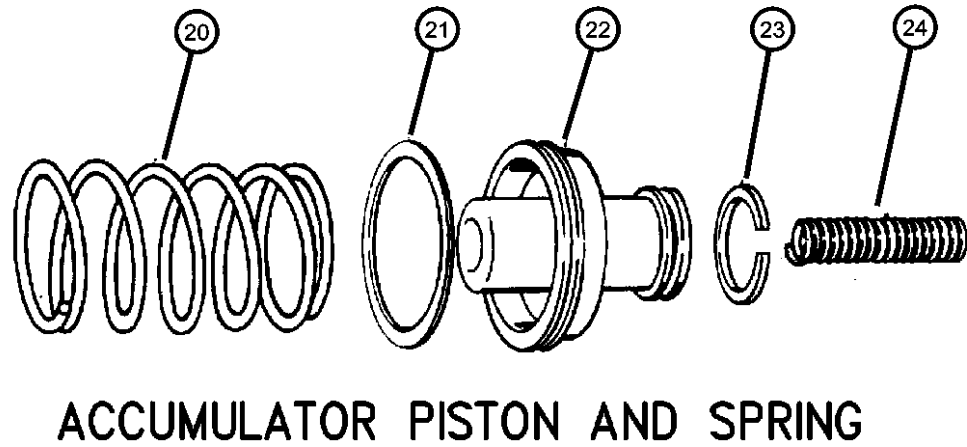
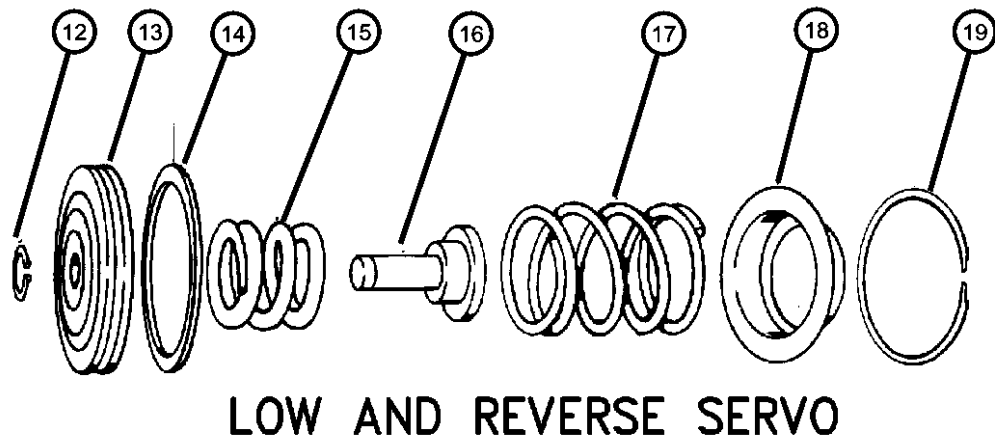
AR = use ase required - = Non illustrated part

1997 ZJ

Servos, Accumulator Piston And Spring Automatic Transmission
Figure 42RE-720



| ITEM | PART NUMBER | QTY | LINE | SERIES | BODY | ENGINE | TRANS | TRIM | DESCRIPTION |
|------|-------------|-----|------|--------|------|--------|-------|------|----------------------------|
| 23 | | 1 | T | | | ER0 | DGK | | SEAL, Piston Accumulator |
| | 03743010 | 1 | J | | | ER0 | DGK | | Small |
| | | 1 | T | | | ER0 | DGK | | Small |
| 24 | | 1 | J | | | ER0 | DGK | | SPRING, Accumulator Piston |
| | 04617529 | 1 | J | | | ER0 | DGK | | Upper |
| | | 1 | T | | | ER0 | DGK | | Upper |



GRAND CHEROKEE (ZJ)

SERIES LINE
L = LOWLINE T = JEEP - 2WD
J = JEEP - 4WD

BODY
74 = SPORT UTILITY 4-DR

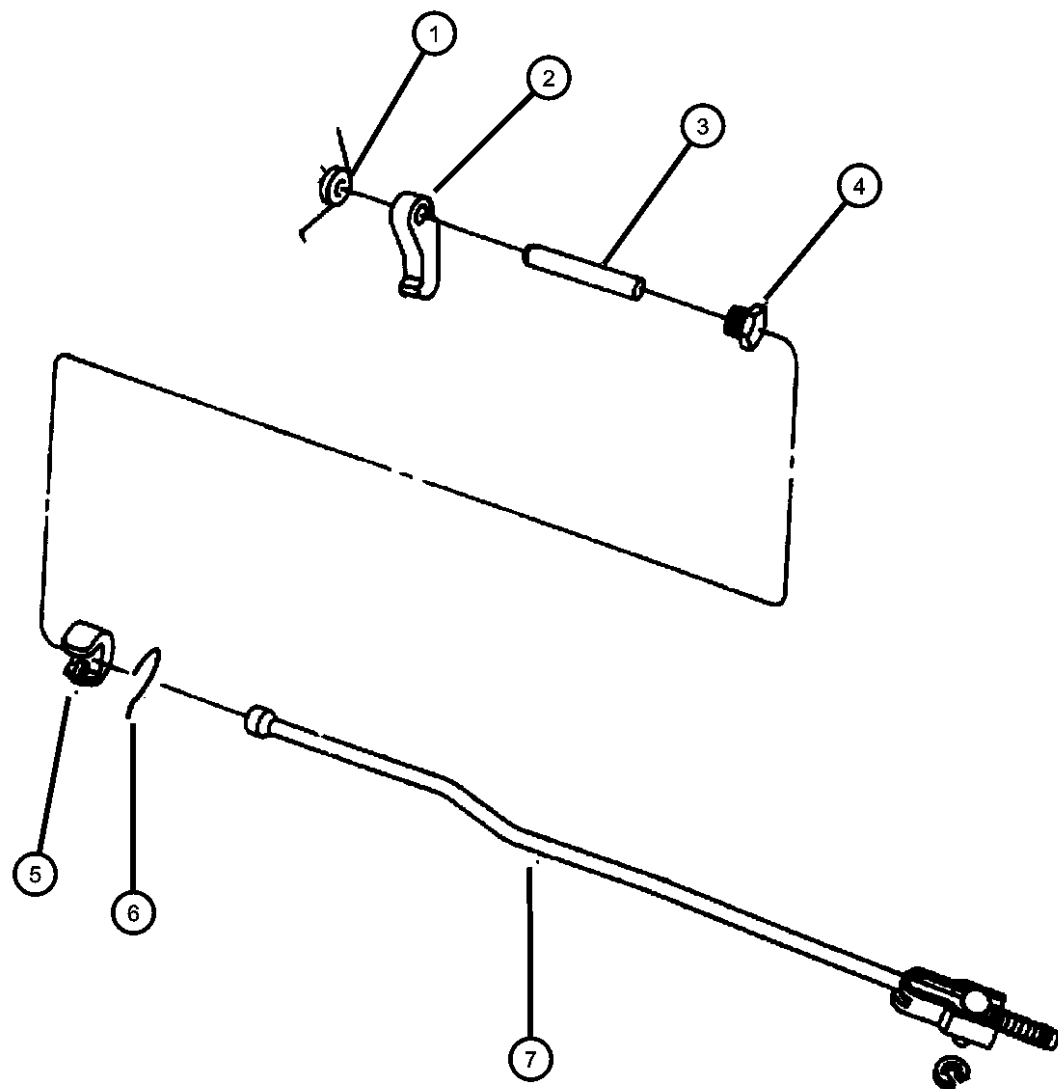
ENGINE
ELF = 5.2L V8 MPI Engine
EML = 5.9L V8 MPI Engine
ERH = 4.0L Power Tech I-6 Engine

TRANSMISSION
DGK = 4-Spd. Automatic 42RE Transmission
DGW = 4-Spd. Automatic 4RE Transmission
DG0 = Transmissions - All Automatic

AR = use ase required - = Non illustrated part

1997 ZJ

Parking Sprag Automatic Transmission, 4 Speed, 42Re
Figure 42RE-730



| ITEM | PART NUMBER | QTY | LINE | SERIES | BODY | ENGINE | TRANS | TRIM | DESCRIPTION |
|------|-------------|-----|------|--------|------|--------|-------|------|---|
| 1 | 02466909 | 1 | T | | | ER0 | DGK | | SPRING, Parking Sprag |
| | | 1 | J | | | ER0 | DGK | | |
| 2 | 04471415 | 1 | T | | | ER0 | DGK | | SPRAG, Transmission Parking (5/8" Thick) |
| | | 1 | J | | | ER0 | DGK | | (5/8" Thick) |
| 3 | 02466892 | 1 | T | | | ER0 | DGK | | SHAFT, Parking Sprag |
| | | 1 | J | | | ER0 | DGK | | |
| 4 | 02538042 | 1 | T | | | ER0 | DGK | | PLUG, Parking Sprag |
| | | 1 | J | | | ER0 | DGK | | |
| 5 | 02538034 | 1 | T | | | ER0 | DGK | | SNAP RING, Transmission Reaction Plug |
| | | 1 | J | | | ER0 | DGK | | Reaction Plug |
| 6 | 04431748 | 1 | J | | | ER0 | DGK | | ROD, Parking Sprag |
| | | 1 | T | | | ER0 | DGK | | |
| 7 | 06035256 | 1 | T | | | ER0 | DGK | | SNAP RING, Rod |
| | | 1 | J | | | ER0 | DGK | | |

GRAND CHEROKEE (ZJ)

SERIES LINE
L = LOWLINE T = JEEP - 2WD
 J = JEEP - 4WD

BODY
74 = SPORT UTILITY 4-DR

ENGINE
ELF = 5.2L V8 MPI Engine
EML = 5.9L V8 MPI Engine
ERH = 4.0L Power Tech I-6 Engine

TRANSMISSION
DGK = 4-Spd. Automatic 42RE Transmission
DGW = 4-Spd. Automatic 4RE Transmission
DG0 = Transmissions - All Automatic

AR = use ase required - = Non illustrated part

1997 ZJ

Clutch, Overdrive With Gear Train Automatic Transmission, 4 Speed, 42Re
Figure 42RE-1010

| ITEM | PART NUMBER | QTY | LINE | SERIES | BODY | ENGINE | TRANS | TRIM | DESCRIPTION |
|------|-------------|-----|------|--------|------|--------|-------|------|--|
| 1 | 04740774 | 1 | T | | | ER0 | DGK | | PLATE PACKAGE, Transmission Module |
| | | 1 | J | | | ER0 | DGK | | w/Bearing, Direct Clutch Spring, Thrust *** |
| 2 | | 1 | | | | | | | BEARING, Overdrive, Thrust (Serviced in 4740774 Plate Pkg.), (NOT SERVICED), |
| 3 | | 1 | | | | | | | BUSHING, O/Drive Sun Gear (Serv. in Sun Gear), (NOT SERVICED) |
| 4 | 04778742 | 1 | T | | | ER0 | DGK | | GEAR, Overdrive Sun |
| | | 1 | J | | | ER0 | DGK | | |
| 5 | 04798520 | 1 | T | | | ER0 | DGK | | CARRIER, O/Drive Planet Pinion (4 Pinion) |
| | | 1 | J | | | ER0 | DGK | | (4 Pinion) |
| 6 | 04461124 | 1 | T | | | ER0 | DGK | | RACE, Overrunning Clutch |
| | | 1 | J | | | ER0 | DGK | | |
| 7 | 04461014 | 1 | T | | | ER0 | DGK | | THRUST BEARING, Overdrive Third Position |
| | | 1 | J | | | ER0 | DGK | | O/Drive Race, Thrust |
| 8 | 04461015 | 1 | T | | | ER0 | DGK | | CLUTCH, Overdrive Overrunning |
| | | 1 | J | | | ER0 | DGK | | w/Rollers and Springs |
| 9 | 04761010 | 1 | T | | | ER0 | DGK | | GEAR, Overdrive Annulus |
| | | 1 | J | | | ER0 | DGK | | |
| 10 | 04461059 | 1 | T | | | ER0 | DGK | | SNAP RING, 5.25 OD |
| | | 1 | J | | | ER0 | DGK | | O/Drive Annulus Gear, 5-1/4" O.D. |
| 11 | 04461060 | 2 | T | | | ER0 | DGK | | O/Drive Annulus Gear, 5-1/4" O.D. |
| 12 | 04461040 | 1 | T | | | ER0 | DGK | | SNAP RING, 6.00 OD, Direct Clutch Drum to Annulus, 6" O.D. |
| | | 1 | J | | | | | | DRUM, Automatic Transmission |
| | | | | | | | | | Direct Clutch |

GRAND CHEROKEE (ZJ)

SERIES LINE
L = LOWLINE T = JEEP - 2WD
J = JEEP - 4WD

BODY
74 = SPORT UTILITY 4-DR

ENGINE
ELF = 5.2L V8 MPI Engine
EML = 5.9L V8 MPI Engine
ERH = 4.0L Power Tech I-6 Engine

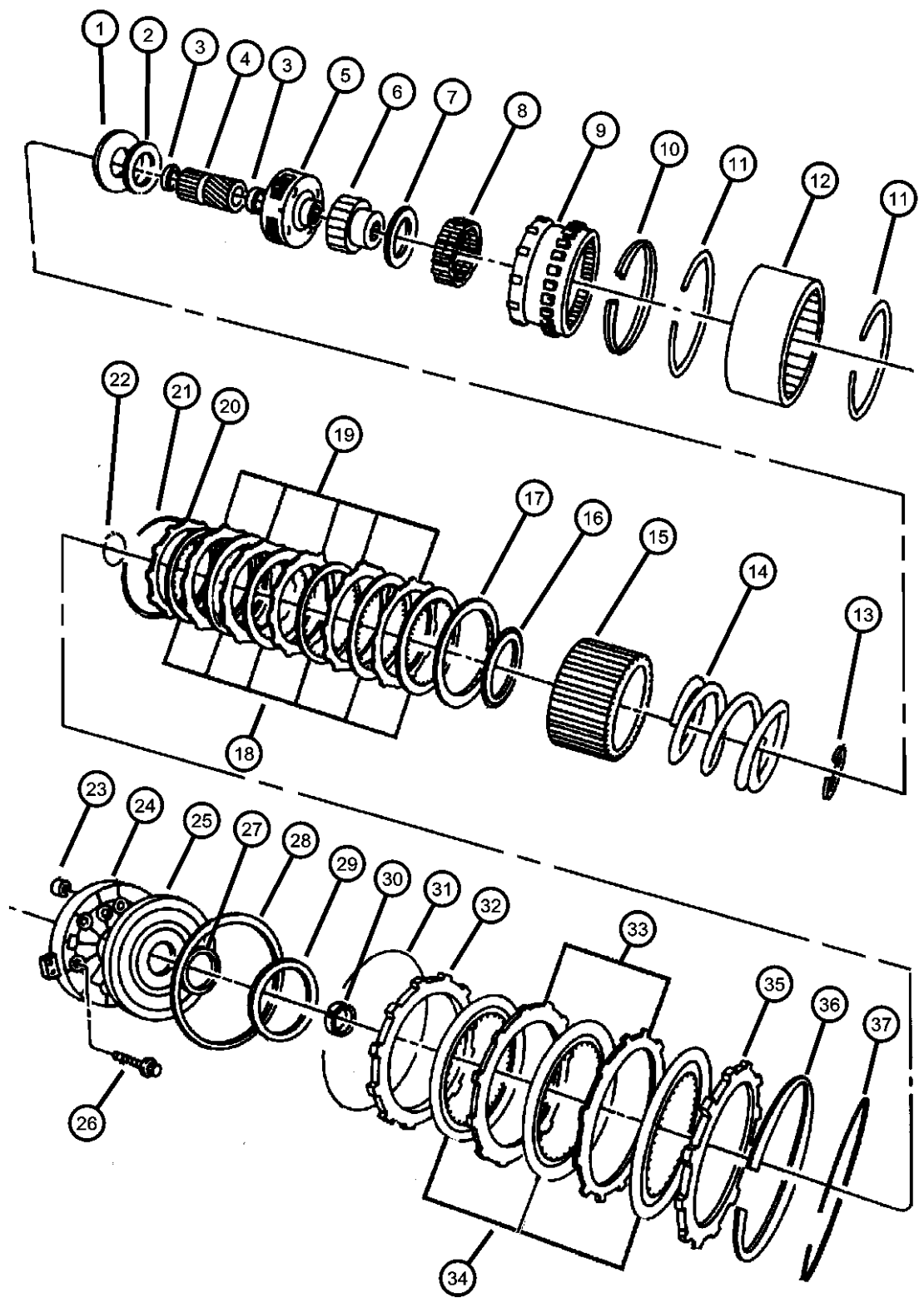
TRANSMISSION
DGK = 4-Spd. Automatic 42RE Transmission
DGW = 4-Spd. Automatic 4RE Transmission
DG0 = Transmissions - All Automatic

AR = use ase required - = Non illustrated part

1997 ZJ

Clutch, Overdrive With Gear Train Automatic Transmission, 4 Speed, 42Re
Figure 42RE-1010

| ITEM | PART NUMBER | QTY | LINE | SERIES | BODY | ENGINE | TRANS | TRIM | DESCRIPTION |
|------|-------------|-----|------|--------|------|--------|-------|------|---|
| 13 | | 1 | J | | | ER0 | DGK | | Direct Clutch |
| | 04461063 | 1 | T | | | ER0 | DGK | | SNAP RING, 2.1875 OD |
| | | 1 | J | | | ER0 | DGK | | Direct Clutch Spring Plate, 2-3/16" O.D. |
| 14 | | 1 | J | | | ER0 | DGK | | Direct Clutch Spring Plate, 2-3/16" O.D. |
| | 04461027 | 1 | T | | | ER0 | DGK | | SPRING, Direct Clutch |
| | | 1 | J | | | ER0 | DGK | | Direct Clutch Coil |
| 15 | | 1 | J | | | ER0 | DGK | | Direct Clutch Coil |
| | 04461072 | 1 | T | | | ER0 | DGK | | HUB, Direct Clutch |
| | | 1 | J | | | ER0 | DGK | | Direct Clutch Spring Sliding |
| 16 | | 1 | J | | | ER0 | DGK | | Direct Clutch Spring Sliding |
| | 04446724 | 1 | T | | | ER0 | DGK | | THRUST BEARING, Overdrive |
| | | 1 | T | | | ER0 | DGK | | O/Drive Clutch Piston, Thrust |
| 17 | | 1 | T | | | ER0 | DGK | | O/Drive Clutch Piston, Thrust |
| | 04461030 | 1 | T | | | ER0 | DGK | | PLATE, Transmission Clutch Reaction |
| | | 1 | J | | | ER0 | DGK | | Direct Clutch Pressure |
| 18 | | 1 | J | | | ER0 | DGK | | Direct Clutch Pressure |
| | 04461042 | 6 | J | | | ER0 | DGK | | DISC, Direct Clutch |
| | | 6 | T | | | ER0 | DGK | | |
| 19 | | 5 | J | | | ER0 | DGK | | PLATE, Transmission Clutch Reaction |
| | 04461054 | 5 | T | | | ER0 | DGK | | Direct Clutch |
| 20 | | 5 | T | | | ER0 | DGK | | Direct Clutch |
| | 04461031 | 1 | T | | | ER0 | DGK | | PLATE, Transmission Clutch Reaction |
| | | 1 | J | | | ER0 | DGK | | Direct Clutch Reaction |
| 21 | | 1 | J | | | ER0 | DGK | | Direct Clutch Reaction |
| | 04461032 | 1 | T | | | ER0 | DGK | | SPRING, Direct Clutch |
| | | 1 | J | | | ER0 | DGK | | Wave |
| 22 | | 1 | J | | | ER0 | DGK | | Wave |
| | 04461064 | 1 | T | | | ER0 | DGK | | SNAP RING, 1.875" OD |
| | | 1 | J | | | ER0 | DGK | | Direct Clutch Spring Sliding Hub, Round 1-7/8" O.D. |
| | | 1 | J | | | ER0 | DGK | | Direct Clutch Spring Sliding Hub, Round 1-7/8" O.D. |



GRAND CHEROKEE (ZJ)

SERIES LINE
 L = LOWLINE T = JEEP - 2WD
 J = JEEP - 4WD

BODY
 74 = SPORT UTILITY 4-DR

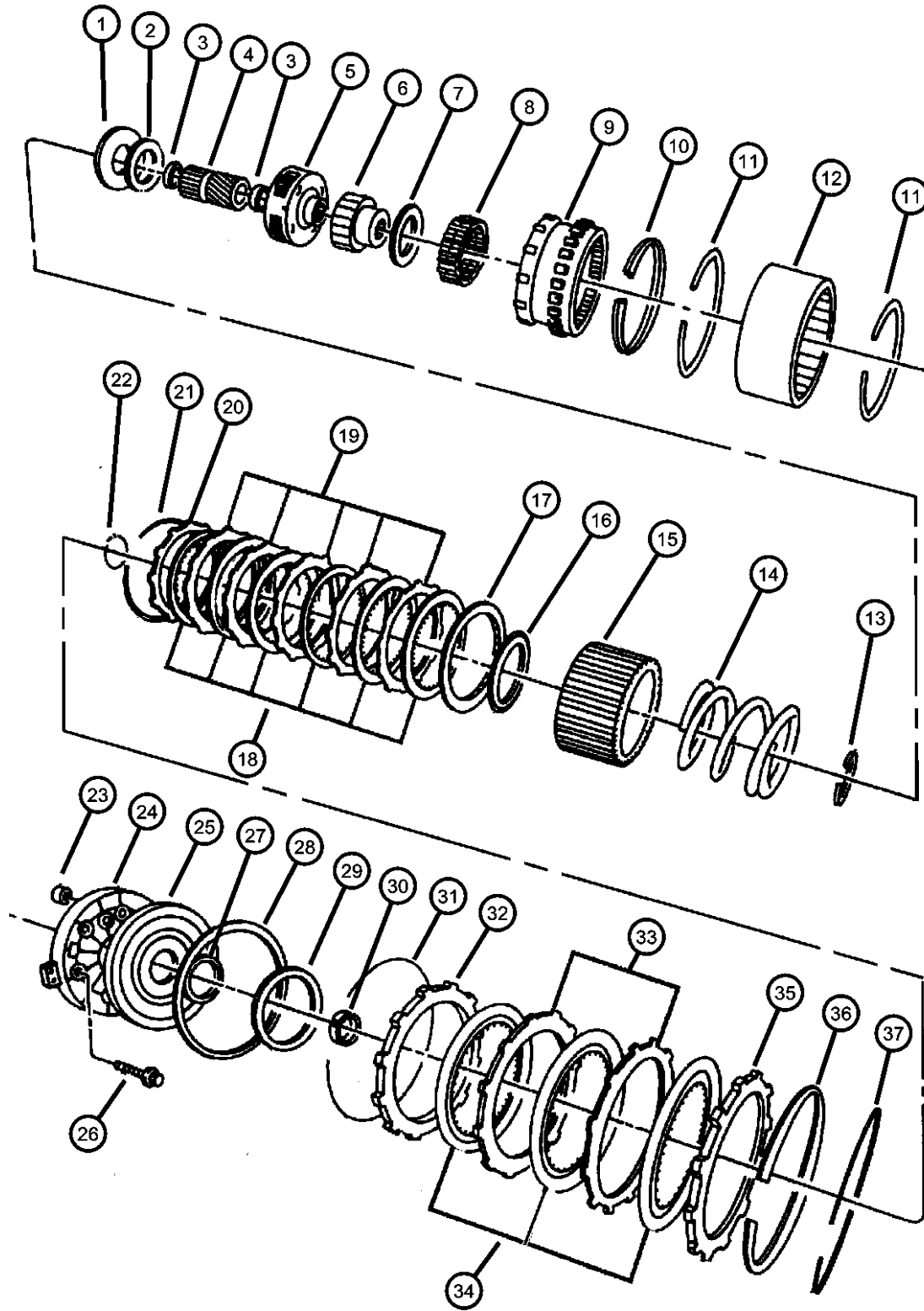
ENGINE
 ELF = 5.2L V8 MPI Engine
 EML = 5.9L V8 MPI Engine
 ERH = 4.0L Power Tech I-6 Engine

TRANSMISSION
 DGK = 4-Spd. Automatic 42RE Transmission
 DGW = 4-Spd. Automatic 4RE Transmission
 DG0 = Transmissions - All Automatic

AR = use ase required - = Non illustrated part

1997 ZJ

Clutch, Overdrive With Gear Train Automatic Transmission, 4 Speed, 42Re
 Figure 42RE-1010



| ITEM | PART NUMBER | QTY | LINE | SERIES | BODY | ENGINE | TRANS | TRIM | DESCRIPTION |
|------|-------------|-----|------|--------|------|--------|-------|------|--|
| 23 | 04412583 | 1 | J | | | ER0 | DGK | | FILTER, Overdrive Clutch |
| | | 1 | T | | | ER0 | DGK | | Piston Retainer |
| 24 | 04617246 | 1 | J | | | ER0 | DGK | | RETAINER, Transmission Overdrive Clutch Piston |
| | | 1 | T | | | ER0 | DGK | | O/Drive Clutch Piston |
| 25 | 52118599 | 1 | J | | | ER0 | DGK | | PISTON, Overdrive Clutch |
| | | 1 | T | | | ER0 | DGK | | O/Drive Clutch Piston |
| 26 | 06033479 | 6 | J | | | ER0 | DGK | | BOLT, Hex Head, .25-28x1-5/8 |
| | | 6 | T | | | ER0 | DGK | | Retainer to Case |
| 27 | 04431697 | 1 | J | | | ER0 | DGK | | SEAL, Overdrive Clutch Piston |
| | | 1 | T | | | ER0 | DGK | | Inner |
| 28 | 04431696 | 1 | J | | | ER0 | DGK | | SEAL, Overdrive Clutch Piston |
| | | 1 | T | | | ER0 | DGK | | Outer |
| 29 | 04431585 | 1 | J | | | ER0 | DGK | | PLATE, Transmission O/Drive Clutch |
| | | 1 | T | | | ER0 | DGK | | .123'-.125' Thick |
| | 04431586 | 1 | J | | | ER0 | DGK | | .123'-.125' Thick |
| | | 1 | T | | | ER0 | DGK | | .153'-.170' Thick |
| | 04431587 | 1 | J | | | ER0 | DGK | | .153'-.170' Thick |
| | | 1 | T | | | ER0 | DGK | | .183'-.185' Thick |
| | 04431588 | 1 | J | | | ER0 | DGK | | .183'-.185' Thick |
| | | 1 | T | | | ER0 | DGK | | .213'-.215' Thick |
| | 04431590 | 1 | J | | | ER0 | DGK | | .213'-.215' Thick |
| | | 1 | T | | | ER0 | DGK | | .243'-.245' Thick |
| | 04431731 | 1 | J | | | ER0 | DGK | | .243'-.245' Thick |
| | | 1 | T | | | ER0 | DGK | | .138'-.140' Thick |
| | 04431732 | 1 | J | | | ER0 | DGK | | .138'-.140' Thick |
| | | 1 | T | | | ER0 | DGK | | .168'-.170' Thick |
| | | 1 | T | | | ER0 | DGK | | .168'-.170' Thick |

GRAND CHEROKEE (ZJ)
 SERIES LINE BODY ENGINE TRANSMISSION
 L = LOWLINE T = JEEP - 2WD 74 = SPORT UTILITY 4-DR ELF = 5.2L V8 MPI Engine DGK = 4-Spd. Automatic 42RE
 J = JEEP - 4WD EML = 5.9L V8 MPI Engine Transmission
 ERH = 4.0L Power Tech I-6 Engine DGW = 4-Spd. Automatic 4RE
 Transmission
 DG0 = Transmissions - All Automatic

AR = use ase required - = Non illustrated part

Clutch, Overdrive With Gear Train Automatic Transmission, 4 Speed, 42Re
 Figure 42RE-1010

| ITEM | PART NUMBER | QTY | LINE | SERIES | BODY | ENGINE | TRANS | TRIM | DESCRIPTION |
|------|-------------|-----|------|--------|------|--------|-------|------|--|
| | 04431733 | 1 | J | | | ER0 | DGK | | .198'-.200' Thick |
| | 04431734 | 1 | T | | | ER0 | DGK | | .198'-.200' Thick |
| | 04431734 | 1 | J | | | ER0 | DGK | | .228'-.230' Thick |
| | 04431735 | 1 | T | | | ER0 | DGK | | .228'-.230' Thick |
| | 04431735 | 1 | J | | | ER0 | DGK | | |
| 30 | | 1 | T | | | ER0 | DGK | | SPACER, Intermediate Shaft, 1.58mm |
| | 04431916 | 1 | J | | | ER0 | DGK | | |
| | 04431916 | 1 | T | | | ER0 | DGK | | |
| 31 | | 1 | J | | | ER0 | DGK | | SNAP RING, Overdrive Clutch |
| | 04461082 | 1 | T | | | ER0 | DGK | | O/Drive Clutch Pressure Plate, Round 7" O.D. |
| | 04461082 | 1 | J | | | ER0 | DGK | | O/Drive Clutch Pressure Plate, Round 7" O.D. |
| 32 | | 1 | T | | | ER0 | DGK | | PLATE, Transmission Clutch Reaction |
| | 04461048 | 1 | T | | | ER0 | DGK | | O/Drive Clutch Pressure |
| | 04461048 | 1 | J | | | ER0 | DGK | | O/Drive Clutch Pressure |
| 33 | | 2 | T | | | ER0 | DGK | | PLATE, Transmission Clutch Reaction |
| | 04461047 | 2 | T | | | ER0 | DGK | | O/Drive Clutch Separator |
| | 04461047 | 2 | J | | | ER0 | DGK | | O/Drive Clutch Separator |
| 34 | | 3 | J | | | ER0 | DGK | | DISC, Direct Clutch |
| | 04461181 | 3 | T | | | ER0 | DGK | | |
| | 04461181 | 3 | J | | | ER0 | DGK | | |
| 35 | | 1 | T | | | ER0 | DGK | | PLATE, Transmission Clutch Reaction |
| | 04461033 | 1 | T | | | ER0 | DGK | | O/Drive Clutch Reaction |
| | 04461033 | 1 | J | | | ER0 | DGK | | O/Drive Clutch Reaction |
| 36 | | 1 | T | | | ER0 | DGK | | SPRING, Overdrive Clutch |
| | 04461066 | 1 | T | | | ER0 | DGK | | Wave |
| | 04461066 | 1 | J | | | ER0 | DGK | | Wave |
| 37 | | 1 | T | | | ER0 | DGK | | SNAP RING, 6.50 OD |
| | 04461065 | 1 | T | | | ER0 | DGK | | O/Drive Clutch Reaction Plate, 6-1/2" O.D. |
| | 04461065 | 1 | J | | | ER0 | DGK | | O/Drive Clutch Reaction Plate, 6-1/2" O.D. |

GRAND CHEROKEE (ZJ)

SERIES LINE
 L = LOWLINE T = JEEP - 2WD
 J = JEEP - 4WD

BODY
 74 = SPORT UTILITY 4-DR

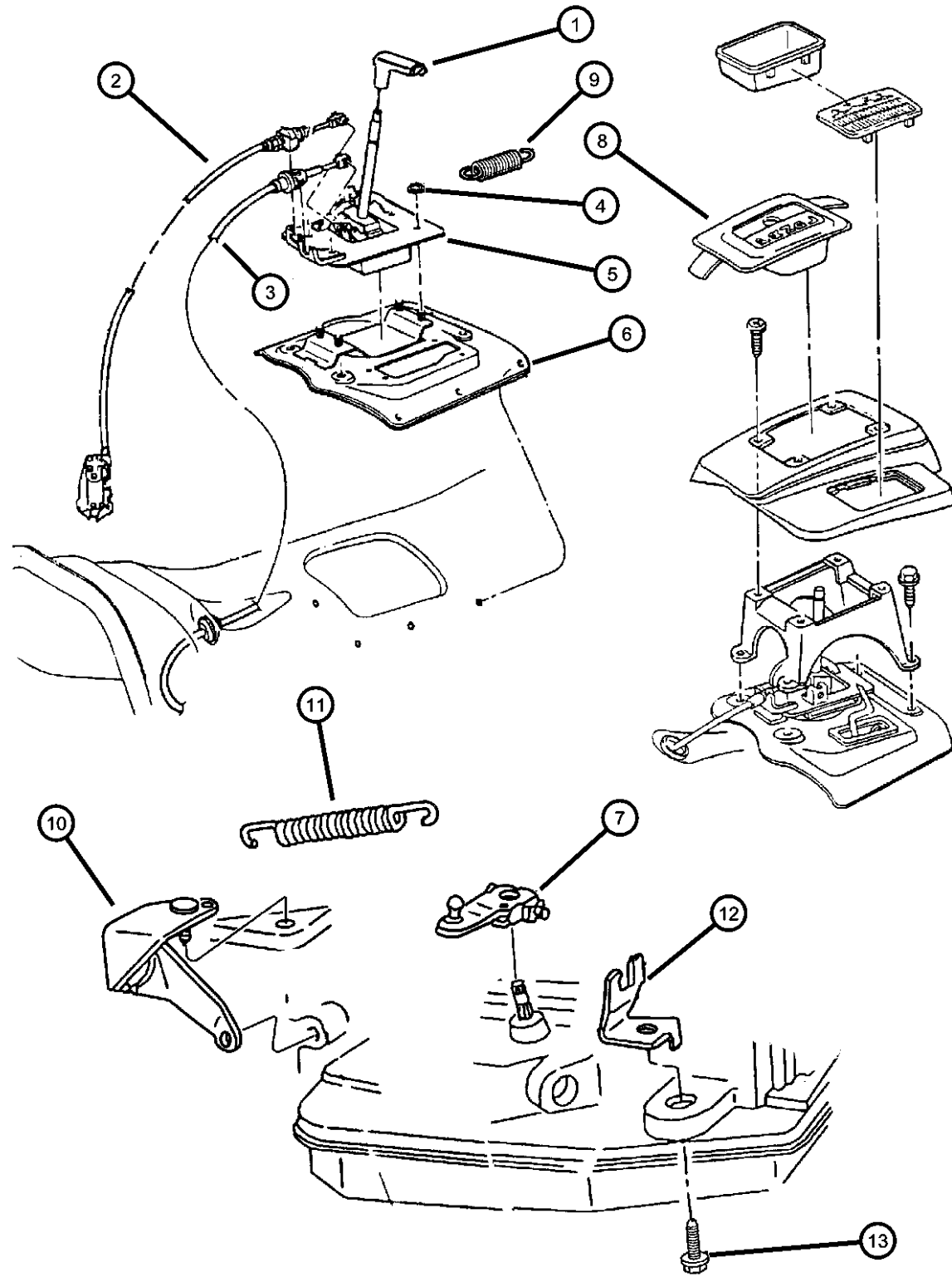
ENGINE
 ELF = 5.2L V8 MPI Engine
 EML = 5.9L V8 MPI Engine
 ERH = 4.0L Power Tech I-6 Engine

TRANSMISSION
 DGK = 4-Spd. Automatic 42RE Transmission
 DGW = 4-Spd. Automatic 4RE Transmission
 DG0 = Transmissions - All Automatic

AR = use ase required - = Non illustrated part

1997 ZJ

Controls, Gearshift, Floor Mounted Automatic Transmission, 4 Speed, 42Re
Figure 42RE-1210



| ITEM | PART NUMBER | QTY | LINE | SERIES | BODY | ENGINE | TRANS | TRIM | DESCRIPTION |
|------|-------------|-----|------|--------|------|---------------|----------|------|--------------------------------|
| 1 | 53007750 | 1 | | | | ELO, ERO | DG0 | | HANDLE, Gearshift |
| 2 | 52104187 | 1 | | | | | DG0 | | CABLE, Park Interlock |
| 3 | 52104095 | 1 | | | | | DG0 | | CABLE, Gearshift Control |
| 4 | 06101695 | 4 | | | | | | | NUT, Hex Flange Lock, M8x1.25 |
| 5 | 52104067 | 1 | | | | | DG0 | | HOUSING AND LEVER, Shifter |
| 6 | 55295725 | 1 | J | | | | DG0 | | COVER, Gearshift |
| 7 | 52078723 | 1 | | | | ELO, EM0, ERO | DGK, DGW | | LEVER, Throttle Valve |
| 8 | 55116071 | 1 | | | | | DG0 | | BEZEL, Floor Console |
| 9 | 53003350 | 1 | | | | | DG0 | | SPRING, Pawl Return |
| 10 | 52078255 | 1 | | | | | DG0 | | BRACKET, Shift Cable |
| 11 | 53009055 | 1 | | | | | DG0 | | SPRING, Throttle Valve Return |
| 12 | 52078867 | 1 | | | | ELO, EM0, ERO | DGK, DGW | | BRACKET, Cable |
| 13 | 00181112 | 1 | | | | | DGK, DGW | | SCREW AND WASHER, .375-16x1.00 |

GRAND CHEROKEE (ZJ)

SERIES LINE
L = LOWLINE T = JEEP - 2WD
J = JEEP - 4WD

BODY
74 = SPORT UTILITY 4-DR

ENGINE
ELF = 5.2L V8 MPI Engine
EML = 5.9L V8 MPI Engine
ERH = 4.0L Power Tech I-6 Engine

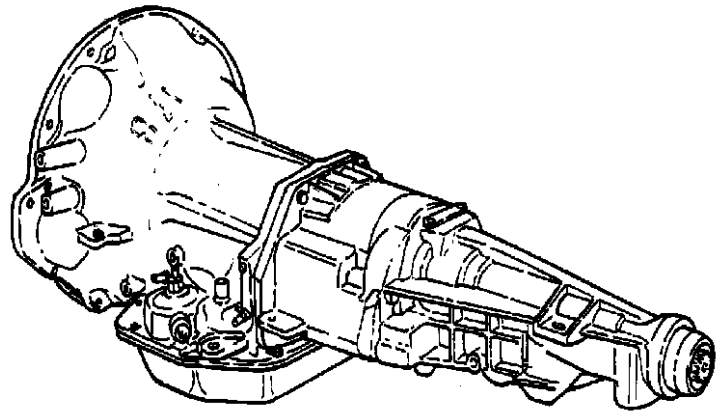
TRANSMISSION
DGK = 4-Spd. Automatic 42RE Transmission
DGW = 4-Spd. Automatic 4RE Transmission
DG0 = Transmissions - All Automatic

AR = use ase required - = Non illustrated part

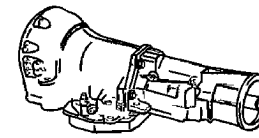
1997 ZJ

Group - 44RE

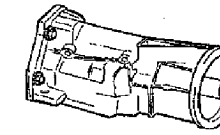
Automatic Transmission 4 Speed



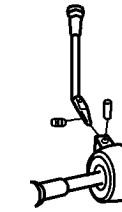
44RE-100
Transmission Assembly



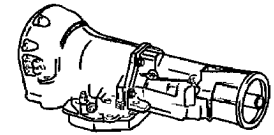
44RE-1000
Overdrive Gear Train



44RE-1200
Gearshift Controls



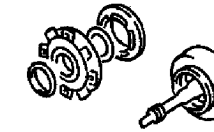
44RE-200
Case and Extension



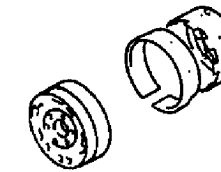
44RE-300
Oil Pump



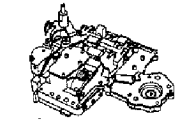
44RE-400
Gear Train



44RE-500
Bands, Reverse and Kickdown



44RE-700
Valve Body

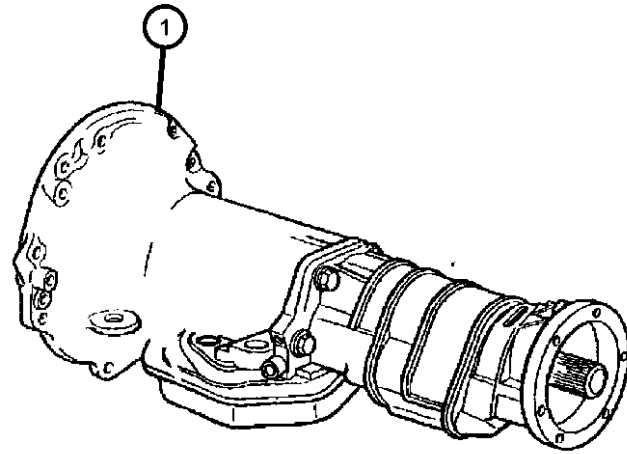


Group - 44RE Automatic Transmission 4 Speed

| Illustration Title | Group-Fig. No. |
|--|------------------|
| Transmission Assembly | |
| Transmission 44RE (DGW) | Fig. 44RE - 110 |
| Case and Extension | |
| Case, And Related Parts 44RE (DGW) | Fig. 44RE - 210 |
| Extension 44RE (DGW) | Fig. 44RE - 220 |
| Oil Pump | |
| Pump, Oil With Reaction Shaft 44RE (DGW) | Fig. 44RE - 310 |
| Gear Train | |
| Clutch, Front And Rear 44RE (DGW) | Fig. 44RE - 410 |
| Gear Train 44RE (DGW) | Fig. 44RE - 420 |
| Output Shaft 44RE (DGW) | Fig. 44RE - 430 |
| Bands, Reverse and Kickdown | |
| Bands, 44RE (DGW)..... | Fig. 44RE - 510 |
| Valve Body | |
| Valve Body 44RE (DGW)..... | Fig. 44RE - 710 |
| Servos, 44RE (DGW) | Fig. 44RE - 720 |
| Parking Sprag 44RE (DGW) | Fig. 44RE - 730 |
| Overdrive Gear Train | |
| Clutch, 44RE (DGW)..... | Fig. 44RE - 1010 |
| Gearshift Controls | |
| Controls, 44RE (DGW) | Fig. 44RE - 1210 |

**Transmission 44RE (DGW)
Figure 44RE-110**

| ITEM | PART NUMBER | QTY | LINE | SERIES | BODY | ENGINE | TRANS | TRIM | DESCRIPTION |
|------|-------------|-----|------|--------|------|--------|-------|------|---|
| 1 | | | | | | | | | TRANSMISSION PACKAGE |
| | 04883234 | 1 | T | | | EL0 | DGW | | 52119287 (Package Contains 52119287 Transmission, 52119792 Converter, K1949765 Screws) |
| | 04883734AA | 1 | J | | | EL0 | DGW | | 52119532 (Package Contains 52119532 Transmission, 52119792 Converter, K1949765 Screws) |
| -2 | | | | | | | | | OVERDRIVE |
| | 52118151 | 1 | T | | | EL0 | DGW | | Mopar Remanufactured Part |
| | R2118151 | | | | | | | | w/52119532 |
| | 52118155 | 1 | J | | | EL0 | DGW | | Mopar Remanufactured Part |
| | R2118155 | | | | | | | | Mopar Remanufactured Part |
| | U2118155 | | | | | | | | Mopar Remanufactured Part |



GRAND CHEROKEE (ZJ)

SERIES LINE
L = LOWLINE T = JEEP - 2WD
 J = JEEP - 4WD

BODY
74 = SPORT UTILITY 4-DR

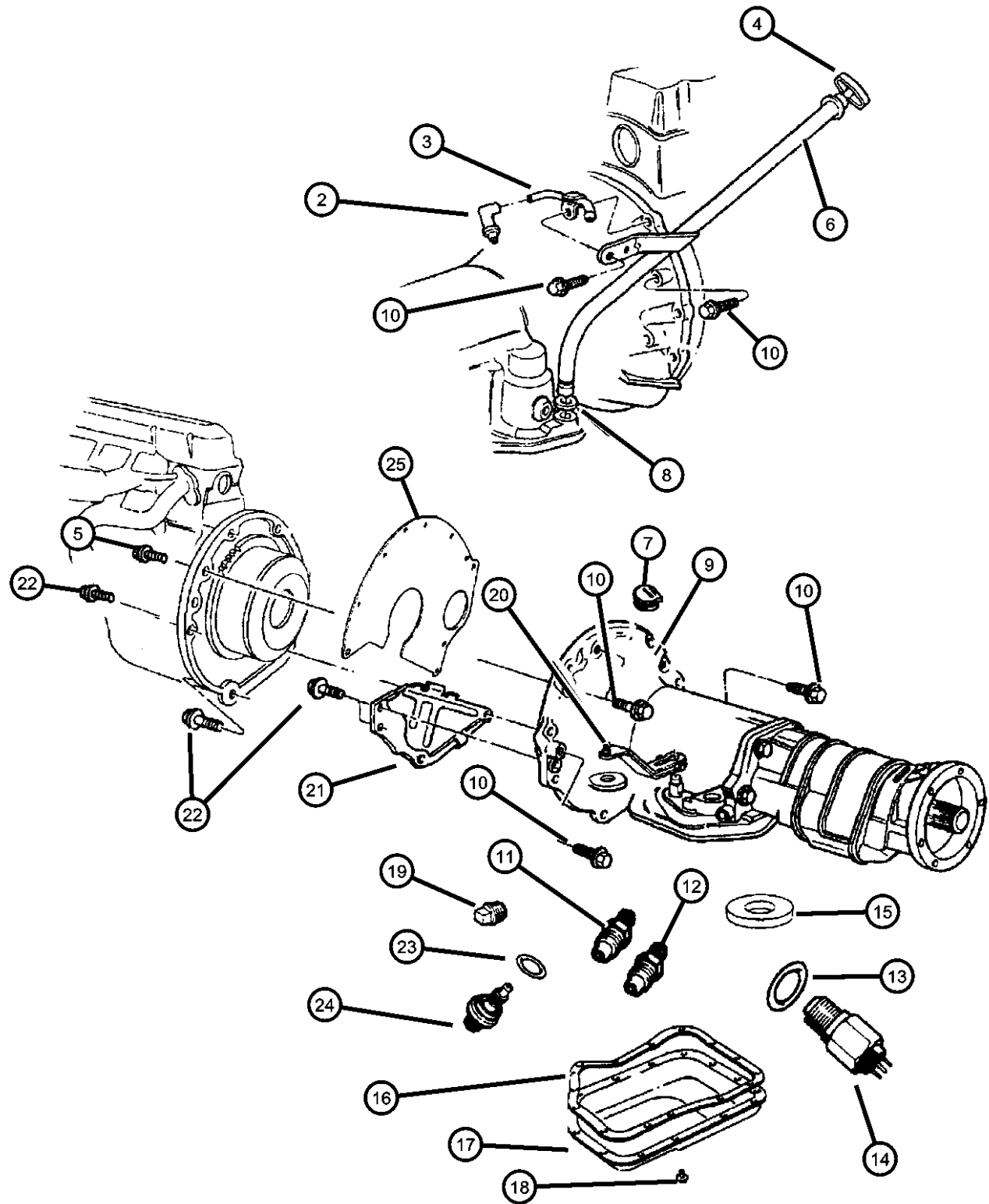
ENGINE
ELF = 5.2L V8 MPI Engine
EML = 5.9L V8 MPI Engine
ERH = 4.0L Power Tech I-6
Engine

TRANSMISSION
DGK = 4-Spd. Automatic 42RE
Transmission
DGW = 4-Spd. Automatic 4RE
Transmission
DG0 = Transmissions - All Automatic

AR = use ase required - = Non illustrated part

1997 ZJ

Case, And Related Parts 44RE (DGW)
Figure 44RE-210



| ITEM | PART NUMBER | QTY | LINE | SERIES | BODY | ENGINE | TRANS | TRIM | DESCRIPTION |
|------|-------------|-----|------|--------|------|----------|-------|------|---|
| -1 | 04863907 | 1 | T | | | ELO | DGW | | SEAL AND GASKET PACKAGE, Transmission, Major Repair |
| 2 | 52097701 | 1 | J | | | | | | FILTER, Transfer Case Oil |
| 3 | 52097701 | 1 | | | | | | | TUBE, Transfer Case Vent, (NOT SERVICED) |
| 4 | 52118641 | 1 | | | | | DG0 | | INDICATOR, Transmission Fluid Level |
| 5 | 06024473 | 2 | | | | ELO, EM0 | DGW | | SCREW AND WASHER, Hex Head, .437-14x2.00 |
| 6 | 52028391 | 1 | | | | ELO, EM0 | DGW | | TUBE, Transmission Oil Filler |
| 7 | 52117709 | 1 | | | | ELO, EM0 | | | GROMMET, Timing Probe |
| 8 | 52118629 | 1 | | | | | DG0 | | SEAL, Oil Filler Tube |
| 9 | 52118482 | 1 | T | | | ELO | DGW | | CASE, Transmission |
| 10 | 06022266 | 4 | | | | ELO, EM0 | DGW | | SCREW, Hex Head, .375-16x1.5 |
| 11 | | | | | | | | | CONNECTOR, Oil Cooler Tube, .375 Tube x .25 Thread |
| | 52028471 | 1 | J | | | ELO | DGW | | |
| | | 1 | T | | | ELO | DGW | | |
| 12 | | | | | | | | | NUT, Inverted Flare, .62-18 |
| | 06033879 | 1 | T | | | ELO | DGW | | |
| | | 1 | J | | | ELO | DGW | | |
| 13 | 02408143 | 1 | | | | | DG0 | | WASHER, Switch, B/U Light Switch |
| 14 | | | | | | | | | SWITCH, Neutral, Safety, Back Up |
| | 03747361 | 1 | T | | | ELO | DGW | | w/Washer, Neutral Starter and B/U Light, w/3 Prongs |
| | | 1 | J | | | ELO | DGW | | w/Washer, Neutral Starter and B/U Light, w/3 Prongs |
| 15 | | | | | | | | | MAGNET, Transmission |
| | 03681601 | 1 | T | | | ELO | DGW | | Case Chip Collector |
| | | 1 | J | | | ELO | DGW | | Case Chip Collector |
| 16 | | | | | | | | | GASKET, Oil Pan |
| | 04295875 | 1 | T | | | ELO | DGW | | Oil Pan |
| | | 1 | J | | | ELO | DGW | | |
| 17 | | | | | | | | | PAN, Transmission Oil |
| | 52118806 | 1 | J | | | ELO | DGW | | |
| | | 1 | T | | | ELO | DGW | | |
| 18 | | | | | | | | | SCREW AND WASHER, Hex Head, .312-18x.625 |
| | 04723548 | 12 | T | | | ELO | DGW | | |

GRAND CHEROKEE (ZJ)

SERIES LINE
L = LOWLINE T = JEEP - 2WD
J = JEEP - 4WD

BODY
74 = SPORT UTILITY 4-DR

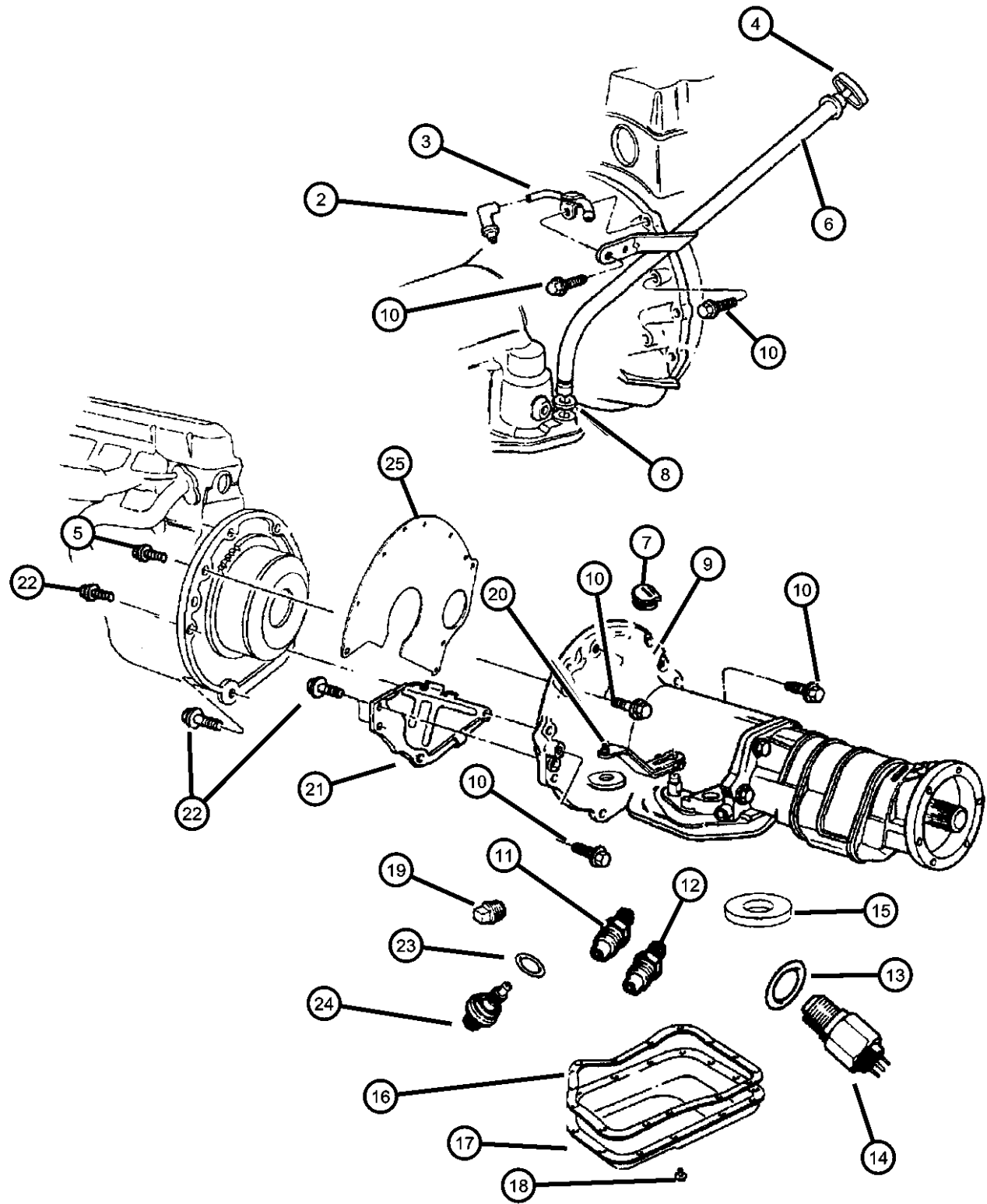
ENGINE
ELF = 5.2L V8 MPI Engine
EML = 5.9L V8 MPI Engine
ERH = 4.0L Power Tech I-6 Engine

TRANSMISSION
DGK = 4-Spd. Automatic 42RE Transmission
DGW = 4-Spd. Automatic 4RE Transmission
DG0 = Transmissions - All Automatic

AR = use ase required - = Non illustrated part

1997 ZJ

Case, And Related Parts 44RE (DGW)
Figure 44RE-210



| ITEM | PART NUMBER | QTY | LINE | SERIES | BODY | ENGINE | TRANS | TRIM | DESCRIPTION |
|------|-------------|-----|------|--------|------|----------|-------|------|--|
| 19 | | 12 | J | | | EL0 | DGW | | PLUG, Pressure Check |
| | 06028095 | 1 | J | | | EL0 | DGW | | 1/8-27 Pipe |
| | | 1 | T | | | EL0 | DGW | | |
| 20 | 52079168 | 1 | | | | | DG0 | | LEVER, Manual Control |
| 21 | 52117556 | 1 | | | | EL0, EM0 | DGW | | COVER, Transmission Dust, Case Dust Shield, Lower |
| 22 | 06023092 | 4 | | | | EL0, EM0 | DGW | | SCREW AND WASHER, Hex Head, .25-20x.50 |
| 23 | | | | | | | | | O RING, Trans Speed Sensor |
| | 06501701 | 1 | T | | | EL0 | DGW | | |
| | | 1 | J | | | EL0 | DGW | | |
| 24 | | | | | | | | | SENSOR, Transmission Output Speed |
| | 04412879 | 1 | T | | | EL0 | DGW | | |
| | | 1 | J | | | EL0 | DGW | | |
| 25 | J3237847 | 1 | | | | ER0 | DG0 | | SPACER, Clutch Housing |

GRAND CHEROKEE (ZJ)

SERIES LINE
L = LOWLINE T = JEEP - 2WD
J = JEEP - 4WD

BODY
74 = SPORT UTILITY 4-DR

ENGINE
ELF = 5.2L V8 MPI Engine
EML = 5.9L V8 MPI Engine
ERH = 4.0L Power Tech I-6
Engine

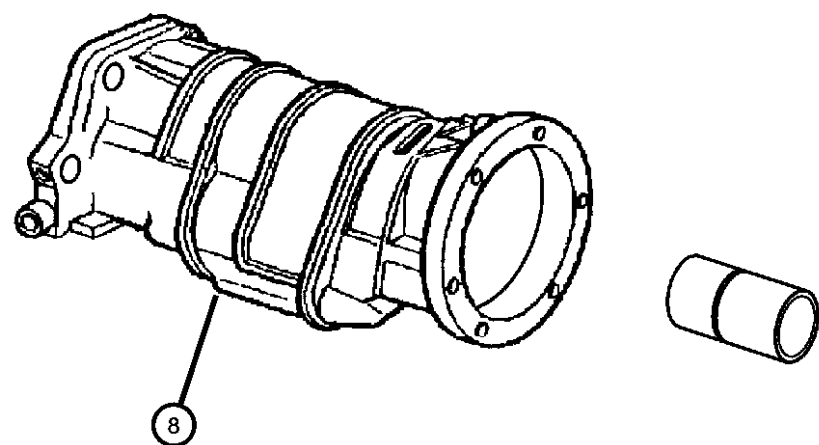
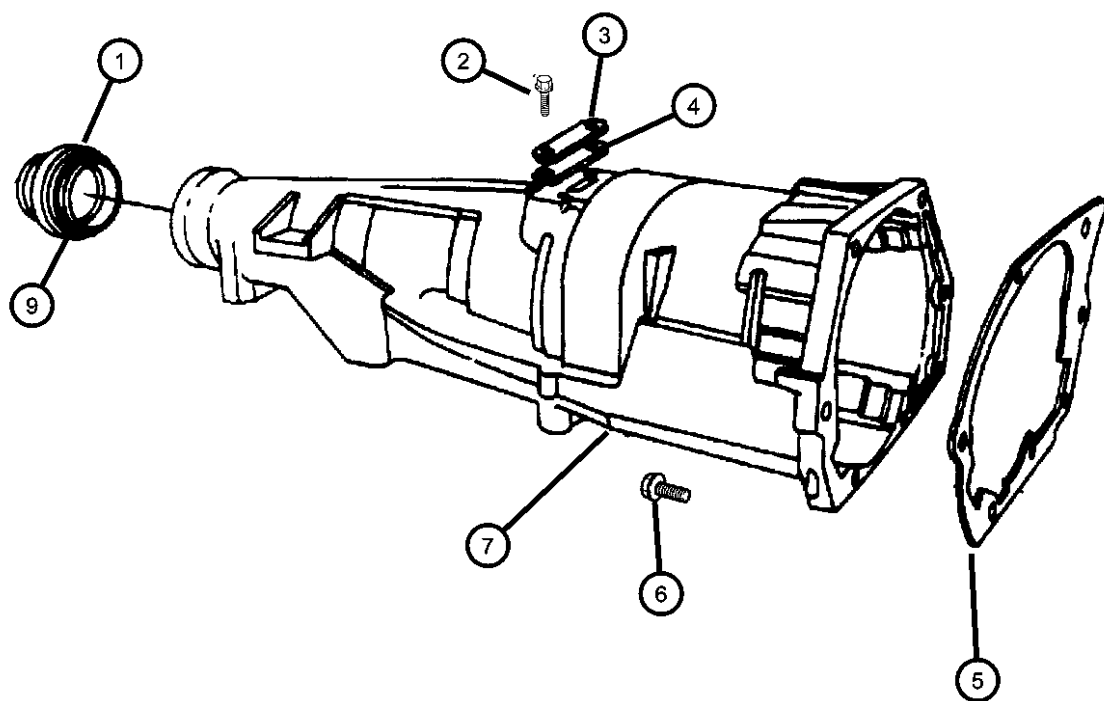
TRANSMISSION
DGK = 4-Spd. Automatic 42RE
Transmission
DGW = 4-Spd. Automatic 4RE
Transmission
DG0 = Transmissions - All Automatic

AR = use ase required - = Non illustrated part

1997 ZJ

Extension 44RE (DGW)
Figure 44RE-220

| ITEM | PART NUMBER | QTY | LINE | SERIES | BODY | ENGINE | TRANS | TRIM | DESCRIPTION |
|------|-------------|-----|------|--------|------|--------|-------|------|---|
| 1 | 04531216 | 1 | T | | | ELO | DGW | | SEAL, Extension Yoke |
| 2 | 04531216 | 1 | | | | | | | SCREW, 1/4-20 x 5/8", (NOT SERVICED) |
| 3 | 02466957 | 1 | T | | | ELO | DGW | | COVER, Transmission Converter, Ext. Bearing |
| 4 | 02801398 | 1 | T | | | ELO | DGW | | GASKET, Transmission, Cover |
| 5 | 04471564 | 1 | T | | | ELO | DGW | | GASKET, Overdrive Piston Retainer, Extension or Adapter |
| 6 | 06033745 | 7 | T | | | ELO | DGW | | SCREW, Hex Flange Head, .375-16x1.44 |
| 7 | 04461184 | 1 | T | | | ELO | DGW | | CASE, Transmission Rear, w/Bushing |
| 8 | 04797342 | 1 | J | | | ELO | DGW | | ADAPTER, Transfer Case |
| 9 | 04269956 | 1 | J | | | ELO | DGW | | SEAL, Adapter |



GRAND CHEROKEE (ZJ)

SERIES LINE
L = LOWLINE T = JEEP - 2WD
J = JEEP - 4WD

BODY
74 = SPORT UTILITY 4-DR

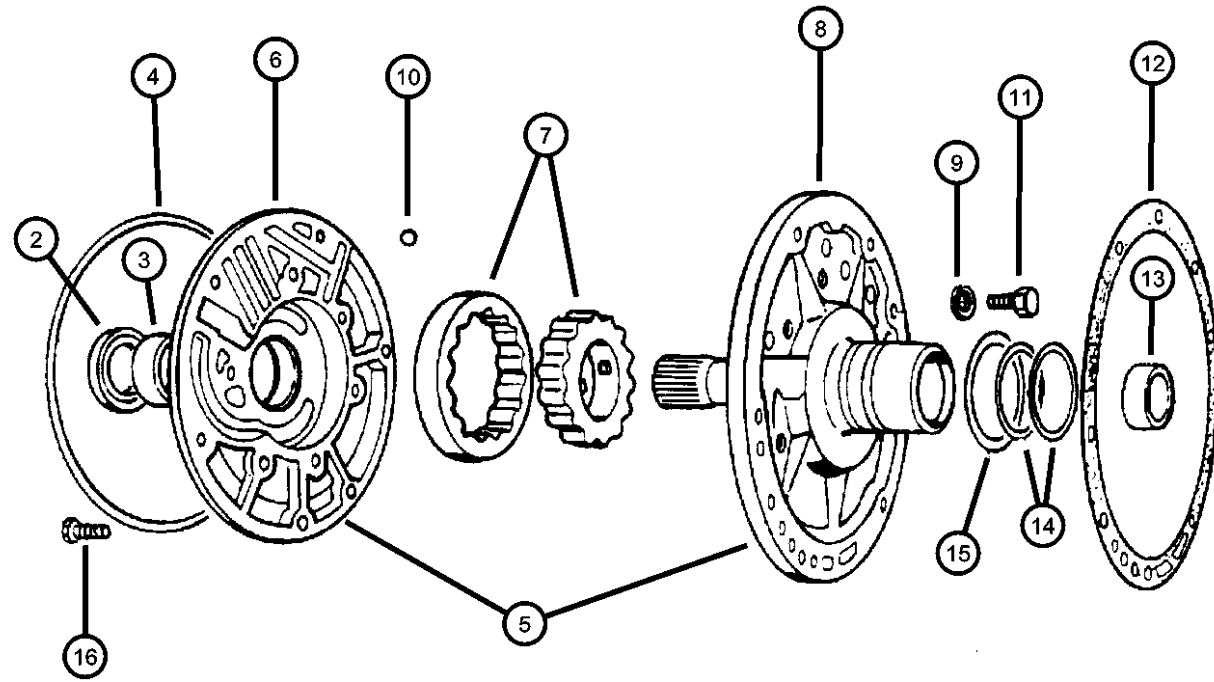
ENGINE
ELF = 5.2L V8 MPI Engine
EML = 5.9L V8 MPI Engine
ERH = 4.0L Power Tech I-6 Engine

TRANSMISSION
DGK = 4-Spd. Automatic 42RE Transmission
DGW = 4-Spd. Automatic 4RE Transmission
DG0 = Transmissions - All Automatic

AR = use ase required - = Non illustrated part

1997 ZJ

Pump, Oil With Reaction Shaft 44RE (DGW)
Figure 44RE-310



| ITEM | PART NUMBER | QTY | LINE | SERIES | BODY | ENGINE | TRANS | TRIM | DESCRIPTION |
|------|-------------|-----|------|--------|------|--------|-------|------|--|
| -1 | | | | | | | | | GASKET AND SEAL PACKAGE, Transmission Oil Pump |
| | 04713108 | 1 | T | | | ELO | DGW | | |
| | | 1 | J | | | ELO | DGW | | |
| 2 | | | | | | | | | SEAL, Impeller Hub, 57.25mm OD |
| | 04412475 | 1 | J | | | ELO | DGW | | |
| | | 1 | J | | | EM0 | DGW | | |
| | | 1 | T | | | ELO | DGW | | |
| 3 | | | | | | | | | BUSHING, Front Pump |
| | 02466796 | 1 | J | | | ELO | DGW | | |
| | | 1 | J | | | EM0 | DGW | | |
| | | 1 | T | | | ELO | DGW | | |
| 4 | | | | | | | | | SEAL, Front Pump Housing |
| | 02204709 | 1 | J | | | EM0 | DGW | | |
| | | 1 | J | | | ELO | DGW | | |
| | | 1 | T | | | ELO | DGW | | |
| 5 | | | | | | | | | PUMP, Transmission Oil |
| | 04778552 | 1 | J | | | EM0 | DGW | | |
| | | 1 | J | | | ELO | DGW | | |
| | | 1 | T | | | ELO | DGW | | |
| 6 | | 1 | | | | | | | HOUSING, Pump, (NOT SERVICED) |
| 7 | | 1 | | | | | | | ROTOR SET, Oil Pump, (NOT SERVICED) |
| 8 | | 1 | | | | | | | SHAFT, Oil Pump, (NOT SERVICED) |
| 9 | | 1 | | | | | | | WASHER, Lock, (NOT SERVICED) |
| 10 | | | | | | | | | BALL, Valve Body Check |
| | 00104918 | 1 | J | | | EM0 | DGW | | |
| | | 1 | J | | | ELO | DGW | | |
| | | 1 | T | | | ELO | DGW | | |
| 11 | | | | | | | | | SCREW, Hex Head, .312-18x.687 |
| | 00179815 | 6 | J | | | EM0 | DGW | | |
| | | 6 | J | | | ELO | DGW | | |
| | | 6 | T | | | ELO | DGW | | |
| 12 | | | | | | | | | GASKET, Transmission Oil Pump |
| | 52118266 | 1 | J | | | EM0 | DGW | | |

GRAND CHEROKEE (ZJ)

SERIES LINE
L = LOWLINE T = JEEP - 2WD
J = JEEP - 4WD

BODY
74 = SPORT UTILITY 4-DR

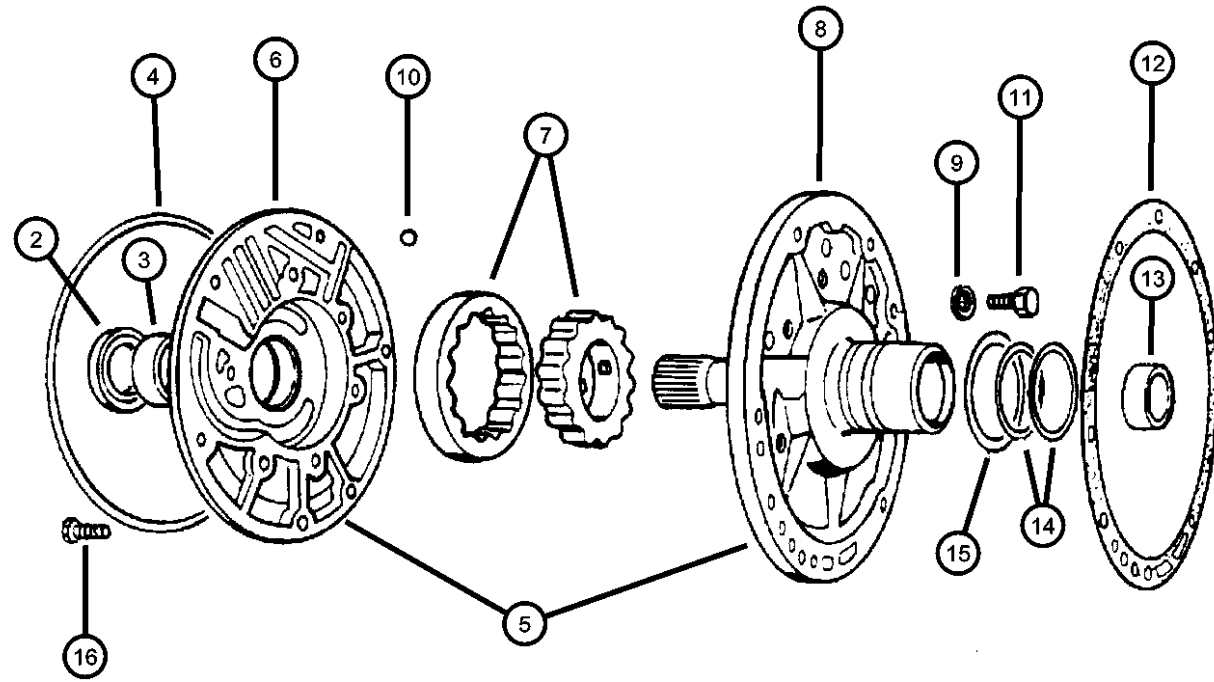
ENGINE
ELF = 5.2L V8 MPI Engine
EML = 5.9L V8 MPI Engine
ERH = 4.0L Power Tech I-6 Engine

TRANSMISSION
DGK = 4-Spd. Automatic 42RE Transmission
DGW = 4-Spd. Automatic 4RE Transmission
DG0 = Transmissions - All Automatic

AR = use ase required - = Non illustrated part

1997 ZJ

Pump, Oil With Reaction Shaft 44RE (DGW)
Figure 44RE-310



| ITEM | PART NUMBER | QTY | LINE | SERIES | BODY | ENGINE | TRANS | TRIM | DESCRIPTION |
|------|-------------|-----|------|--------|------|--------|-------|------|---|
| | | 1 | J | | | ELO | DGW | | |
| | | 1 | T | | | ELO | DGW | | |
| 13 | | | | | | | | | BUSHING, Reaction Shaft |
| | 04058635 | 1 | J | | | EM0 | DGW | | |
| | | 1 | J | | | ELO | DGW | | |
| | | 1 | T | | | ELO | DGW | | |
| 14 | | | | | | | | | SEAL, Ring Reaction Support, 2 1/16 O.D. |
| | 04471874 | 2 | J | | | EM0 | DGW | | |
| | | 2 | T | | | ELO | DGW | | |
| | | 2 | J | | | ELO | DGW | | |
| 15 | | | | | | | | | THRUST WASHER, Front Clutch |
| | 04617786 | 1 | J | | | EM0 | DGW | | |
| | | 1 | J | | | ELO | DGW | | |
| | | 1 | T | | | ELO | DGW | | |
| 16 | | | | | | | | | SCREW AND WASHER, Hex Flange Head, .312-18x1.375 |
| | 06023943 | 6 | J | | | EM0 | DGW | | |
| | | 6 | J | | | ELO | DGW | | |
| | | 6 | T | | | ELO | DGW | | |

GRAND CHEROKEE (ZJ)

SERIES LINE
L = LOWLINE T = JEEP - 2WD
 J = JEEP - 4WD

BODY
74 = SPORT UTILITY 4-DR

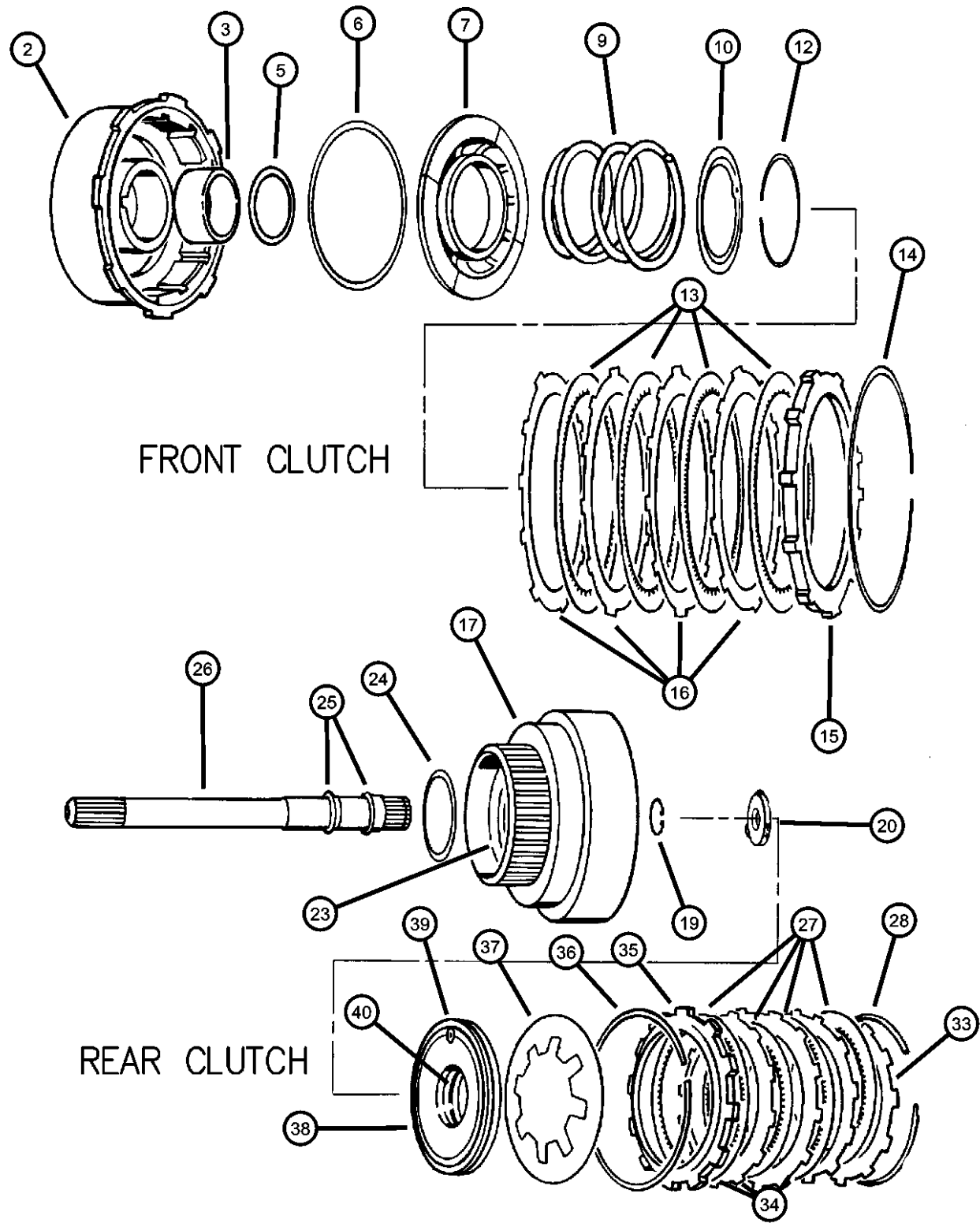
ENGINE
ELF = 5.2L V8 MPI Engine
EML = 5.9L V8 MPI Engine
ERH = 4.0L Power Tech I-6
Engine

TRANSMISSION
DGK = 4-Spd. Automatic 42RE
Transmission
DGW = 4-Spd. Automatic 4RE
Transmission
DG0 = Transmissions - All Automatic

AR = use ase required - = Non illustrated part

1997 ZJ

Clutch, Front And Rear 44RE (DGW)
Figure 44RE-410



| ITEM | PART NUMBER | QTY | LINE | SERIES | BODY | ENGINE | TRANS | TRIM | DESCRIPTION |
|------|-------------|-----|------|--------|------|--------|-------|------|-------------------------------------|
| -1 | | | | | | | | | SEAL PACKAGE, Transmission Clutch |
| | 05252926 | 1 | T | | | ELO | DGW | | |
| | | 1 | J | | | ELO | DGW | | |
| 2 | | | | | | | | | RETAINER, Transmission Front Clutch |
| | 04617153 | 1 | J | | | EM0 | DGW | | |
| | | 1 | J | | | ELO | DGW | | |
| | | 1 | T | | | ELO | DGW | | |
| 3 | | | | | | | | | BUSHING, Front Clutch |
| | 04617157 | 1 | J | | | EM0 | DGW | | |
| | | 1 | J | | | ELO | DGW | | |
| | | 1 | T | | | ELO | DGW | | |
| -4 | | | | | | | | | BUSHING, Rear Clutch |
| | 04617159 | 1 | J | | | EM0 | DGW | | |
| | | 1 | J | | | ELO | DGW | | |
| | | 1 | T | | | ELO | DGW | | |
| 5 | | | | | | | | | SEAL, Front Clutch Piston |
| | 03515176 | 1 | J | | | EM0 | DGW | | |
| | | 1 | J | | | ELO | DGW | | |
| | | 1 | T | | | ELO | DGW | | |
| 6 | | | | | | | | | SEAL, Front Piston Clutch |
| | 04058487 | 1 | J | | | EM0 | DGW | | |
| | | 1 | J | | | ELO | DGW | | |
| | | 1 | T | | | ELO | DGW | | |
| 7 | | | | | | | | | PISTON, Clutch |
| | 04617154 | 1 | J | | | EM0 | DGW | | |
| | | 1 | J | | | ELO | DGW | | |
| | | 1 | T | | | ELO | DGW | | |
| -8 | | | | | | | | | CHECK BALL, Dia-.187 |
| | 00147483 | 1 | J | | | ELO | DGW | | |
| | | 1 | J | | | EM0 | DGW | | |
| | | 1 | T | | | ELO | DGW | | |
| 9 | | | | | | | | | SPRING, Front Clutch |
| | 04329809 | 1 | J | | | EM0 | DGW | | |
| | | 1 | T | | | ELO | DGW | | |

GRAND CHEROKEE (ZJ)

SERIES LINE
L = LOWLINE T = JEEP - 2WD
J = JEEP - 4WD

BODY
74 = SPORT UTILITY 4-DR

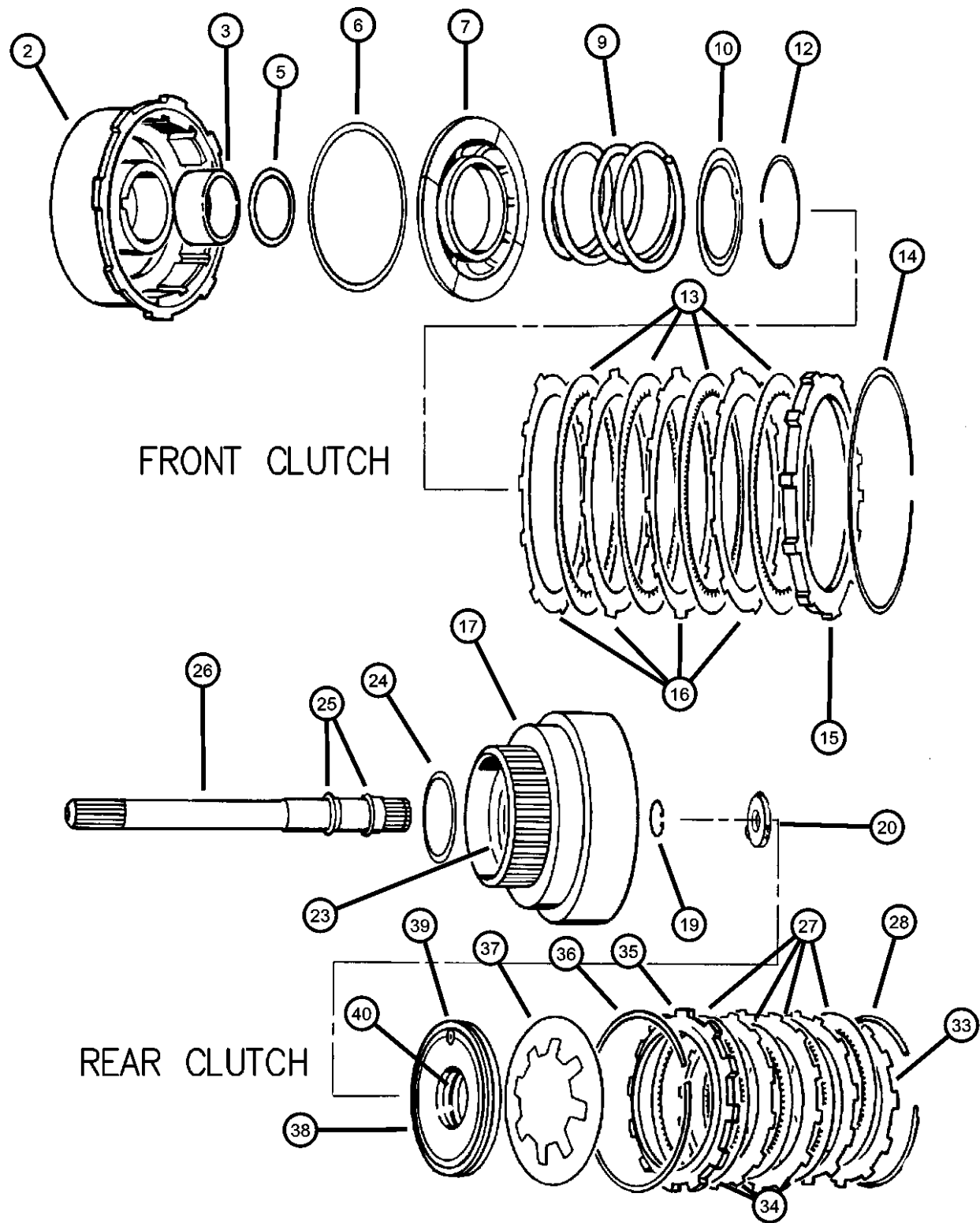
ENGINE
ELF = 5.2L V8 MPI Engine
EML = 5.9L V8 MPI Engine
ERH = 4.0L Power Tech I-6 Engine

TRANSMISSION
DGK = 4-Spd. Automatic 42RE Transmission
DGW = 4-Spd. Automatic 4RE Transmission
DG0 = Transmissions - All Automatic

AR = use ase required - = Non illustrated part

1997 ZJ

Clutch, Front And Rear 44RE (DGW)
Figure 44RE-410



| ITEM | PART NUMBER | QTY | LINE | SERIES | BODY | ENGINE | TRANS | TRIM | DESCRIPTION |
|------|-------------|-----|------|--------|------|--------|-------|------|---|
| 10 | | 1 | J | | | ELO | DGW | | RETAINER, Transmission Front Clutch Piston Spring |
| | 04617516 | 1 | J | | | EM0 | DGW | | |
| | | 1 | J | | | ELO | DGW | | |
| | | 1 | T | | | ELO | DGW | | |
| -11 | | 1 | T | | | ELO | DGW | | CHECK BALL, Dia-.187 |
| | 00147483 | 1 | J | | | ELO | DGW | | |
| | | 1 | T | | | ELO | DGW | | |
| 12 | | 1 | J | | | EM0 | DGW | | SNAP RING |
| | 01942400 | 1 | J | | | ELO | DGW | | |
| | | 1 | J | | | ELO | DGW | | |
| | | 1 | T | | | ELO | DGW | | |
| 13 | | 4 | J | | | EM0 | DGW | | DISC, Direct Clutch |
| | 04617362 | 4 | J | | | ELO | DGW | | |
| | | 4 | J | | | ELO | DGW | | |
| | | 4 | T | | | ELO | DGW | | |
| 14 | | 1 | J | | | EM0 | DGW | | SNAP RING |
| | 03410571 | 1 | J | | | ELO | DGW | | |
| | | 1 | J | | | ELO | DGW | | |
| | | 1 | T | | | ELO | DGW | | |
| 15 | | 1 | J | | | EM0 | DGW | | PLATE, Transmission Clutch Reaction |
| | 04617176 | 1 | J | | | ELO | DGW | | |
| | | 1 | J | | | ELO | DGW | | |
| | | 1 | T | | | ELO | DGW | | |
| 16 | | 4 | J | | | EM0 | DGW | | PLATE, Clutch Separator |
| | 01942403 | 4 | J | | | ELO | DGW | | |
| | | 4 | J | | | ELO | DGW | | |
| | | 4 | T | | | ELO | DGW | | |
| 17 | | 1 | J | | | EM0 | DGW | | RETAINER, Transmission Rear Clutch |
| | 04505199 | 1 | J | | | ELO | DGW | | |
| | | 1 | J | | | ELO | DGW | | |
| | | 1 | T | | | ELO | DGW | | |
| -18 | | 1 | T | | | ELO | DGW | | CHECK BALL, Dia-.187 |

GRAND CHEROKEE (ZJ)

SERIES LINE
L = LOWLINE T = JEEP - 2WD
J = JEEP - 4WD

BODY
74 = SPORT UTILITY 4-DR

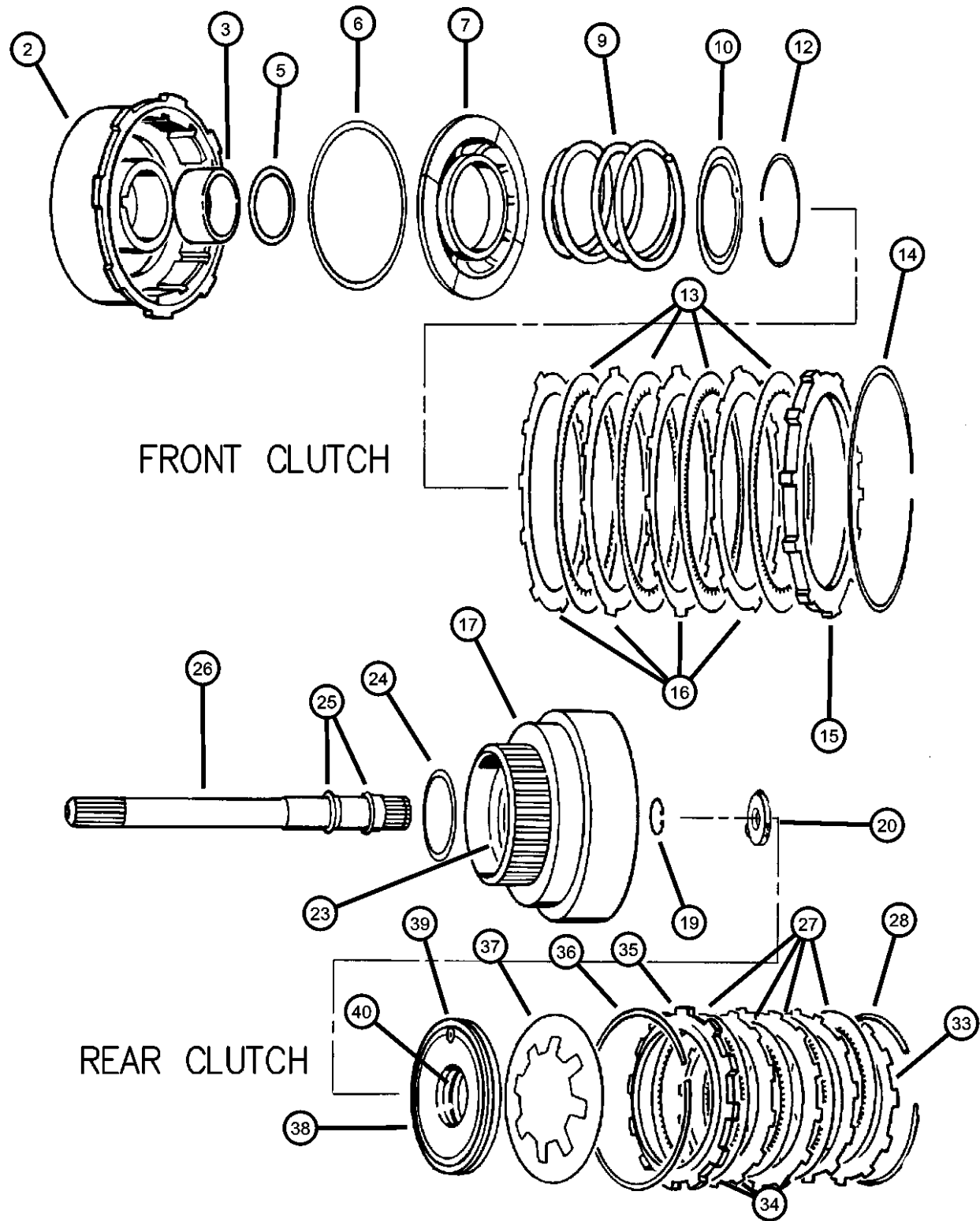
ENGINE
ELF = 5.2L V8 MPI Engine
EML = 5.9L V8 MPI Engine
ERH = 4.0L Power Tech I-6 Engine

TRANSMISSION
DGK = 4-Spd. Automatic 42RE Transmission
DGW = 4-Spd. Automatic 4RE Transmission
DG0 = Transmissions - All Automatic

AR = use ase required - = Non illustrated part

1997 ZJ

Clutch, Front And Rear 44RE (DGW)
Figure 44RE-410



| ITEM | PART NUMBER | QTY | LINE | SERIES | BODY | ENGINE | TRANS | TRIM | DESCRIPTION |
|------|-------------|-----|------|--------|------|--------|-------|------|---|
| | 00147483 | 1 | J | | | ELO | DGW | | |
| | | 1 | J | | | EM0 | DGW | | |
| | | 1 | T | | | ELO | DGW | | |
| 19 | | | | | | | | | SNAP RING, .890625 |
| | 06022859 | 1 | J | | | EM0 | DGW | | |
| | | 1 | J | | | ELO | DGW | | |
| | | 1 | T | | | ELO | DGW | | |
| 20 | | | | | | | | | THRUST WASHER, Output Shaft, Gray .052 |
| | 04505185 | 1 | J | | | EM0 | DGW | | |
| | | 1 | J | | | ELO | DGW | | |
| | | 1 | T | | | ELO | DGW | | |
| -21 | | | | | | | | | THRUST WASHER, Output Shaft, Red .068 |
| | 04505186 | 1 | J | | | EM0 | DGW | | |
| | | 1 | J | | | ELO | DGW | | |
| | | 1 | T | | | ELO | DGW | | |
| -22 | | | | | | | | | THRUST WASHER, Output Shaft, Green .083 |
| | 04505187 | 1 | J | | | EM0 | DGW | | |
| | | 1 | J | | | ELO | DGW | | |
| | | 1 | T | | | ELO | DGW | | |
| 23 | | 1 | | | | | | | SEAL, Rear Clutch, 1.50 ODx.009 Thk, 04028333, (NOT SERVICED) |
| 24 | | | | | | | | | THRUST WASHER, Front Clutch |
| | 04617786 | 1 | J | | | EM0 | DGW | | |
| | | 1 | J | | | ELO | DGW | | |
| | | 1 | T | | | ELO | DGW | | |
| 25 | | | | | | | | | SEAL, Input Shaft |
| | 01401221 | 1 | J | | | EM0 | DGW | | |
| | | 1 | J | | | ELO | DGW | | |
| | | 1 | T | | | ELO | DGW | | |
| 26 | | | | | | | | | SHAFT, Input |
| | 52118478 | 1 | J | | | EM0 | DGW | | |
| | | 1 | J | | | ELO | DGW | | |
| | | 1 | T | | | ELO | DGW | | |

GRAND CHEROKEE (ZJ)

SERIES LINE
L = LOWLINE T = JEEP - 2WD
J = JEEP - 4WD

BODY
74 = SPORT UTILITY 4-DR

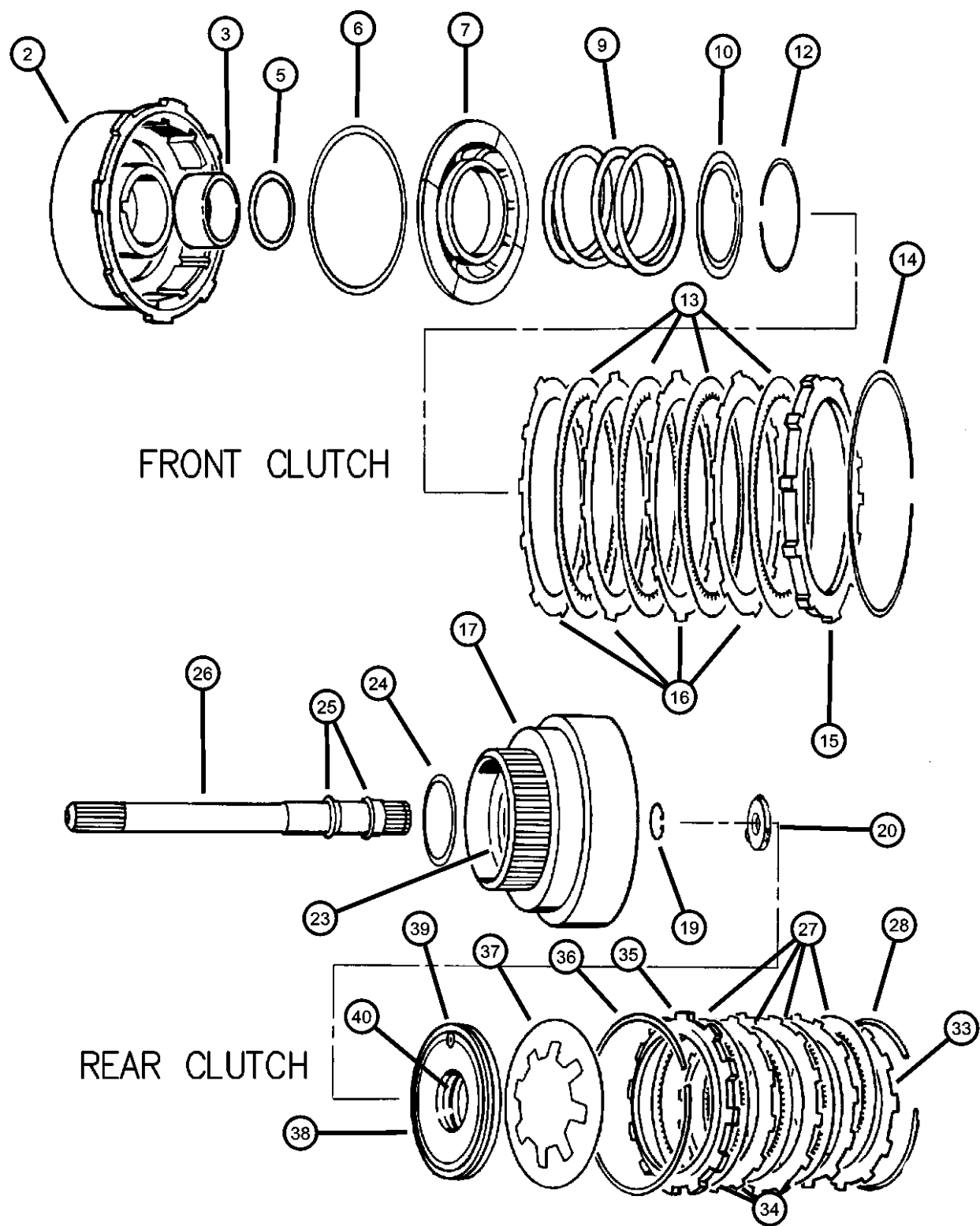
ENGINE
ELF = 5.2L V8 MPI Engine
EML = 5.9L V8 MPI Engine
ERH = 4.0L Power Tech I-6 Engine

TRANSMISSION
DGK = 4-Spd. Automatic 42RE Transmission
DGW = 4-Spd. Automatic 4RE Transmission
DG0 = Transmissions - All Automatic

AR = use ase required - = Non illustrated part

1997 ZJ

Clutch, Front And Rear 44RE (DGW)
Figure 44RE-410



| ITEM | PART NUMBER | QTY | LINE | SERIES | BODY | ENGINE | TRANS | TRIM | DESCRIPTION |
|------|-------------|-----|------|--------|------|--------|-------|------|-------------------------------------|
| 27 | 04713880 | 4 | J | | | EM0 | DGW | | DISC, Clutch |
| | | 4 | T | | | ELO | DGW | | |
| | | 4 | J | | | ELO | DGW | | |
| 28 | 04130761 | 1 | J | | | EM0 | DGW | | SNAP RING |
| | | 1 | J | | | ELO | DGW | | |
| | | 1 | T | | | ELO | DGW | | |
| -29 | 04539121 | 1 | J | | | EM0 | DGW | | SNAP RING, Rear Clutch, .076 |
| | | 1 | J | | | ELO | DGW | | |
| | | 1 | T | | | ELO | DGW | | |
| -30 | 04539122 | 1 | J | | | EM0 | DGW | | SNAP RING, Rear Clutch, .098 |
| | | 1 | J | | | ELO | DGW | | |
| | | 1 | T | | | ELO | DGW | | |
| -31 | 04539123 | 1 | J | | | EM0 | DGW | | SNAP RING, Rear Clutch, .095 |
| | | 1 | J | | | ELO | DGW | | |
| | | 1 | T | | | ELO | DGW | | |
| -32 | 04539124 | 1 | J | | | EM0 | DGW | | SNAP RING, Rear Clutch, .107 |
| | | 1 | J | | | ELO | DGW | | |
| | | 1 | T | | | ELO | DGW | | |
| 33 | 04617176 | 1 | J | | | EM0 | DGW | | PLATE, Transmission Clutch Reaction |
| | | 1 | J | | | ELO | DGW | | |
| | | 1 | T | | | ELO | DGW | | |
| 34 | 01942403 | 4 | J | | | EM0 | DGW | | PLATE, Clutch Separator |
| | | 4 | J | | | ELO | DGW | | |
| | | 4 | T | | | ELO | DGW | | |
| 35 | | | | | | | | | PLATE, Clutch Pressure |

GRAND CHEROKEE (ZJ)

SERIES LINE
 L = LOWLINE T = JEEP - 2WD
 J = JEEP - 4WD

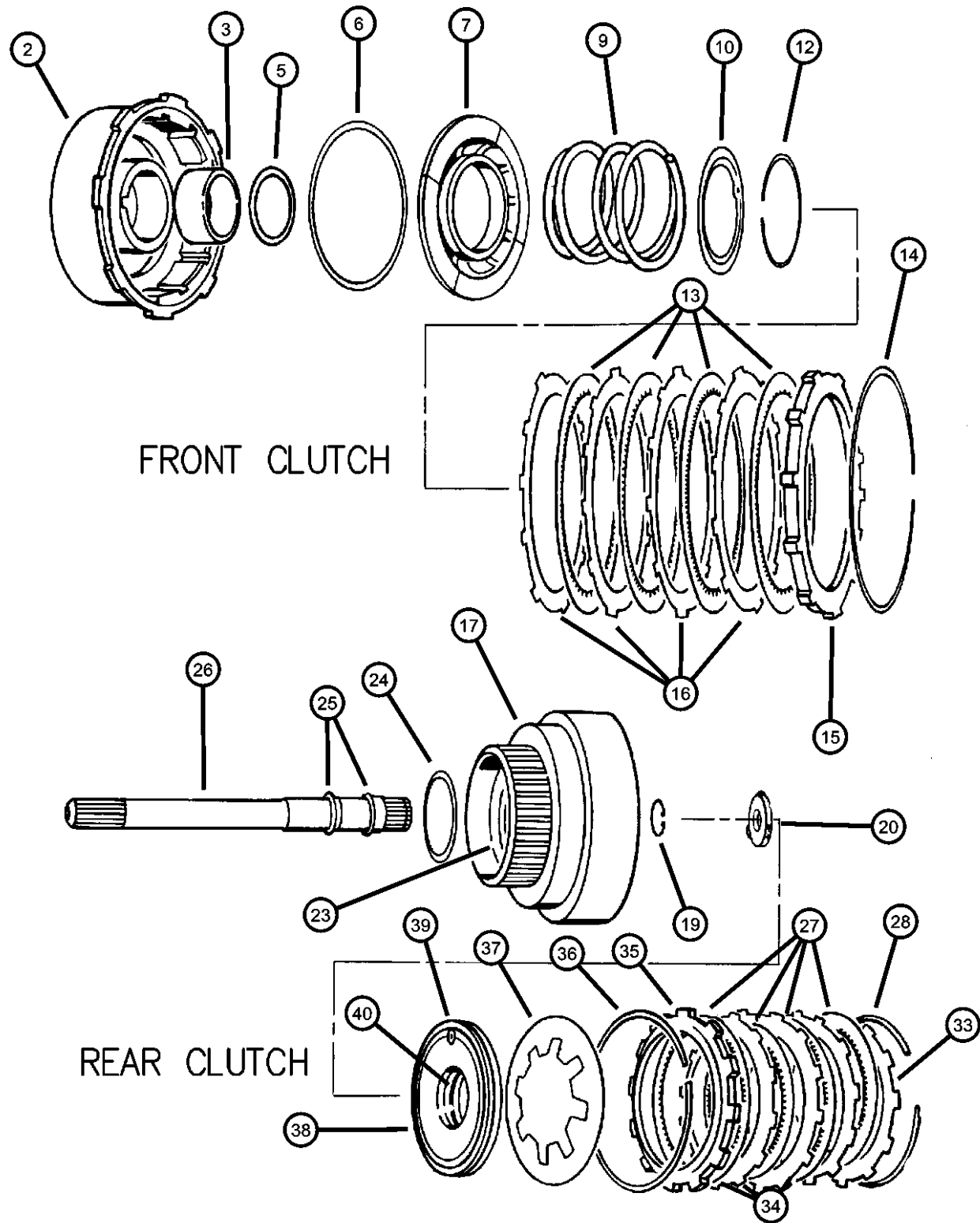
BODY
 74 = SPORT UTILITY 4-DR

ENGINE
 ELF = 5.2L V8 MPI Engine
 EML = 5.9L V8 MPI Engine
 ERH = 4.0L Power Tech I-6 Engine

TRANSMISSION
 DGK = 4-Spd. Automatic 42RE
 Transmission
 DGW = 4-Spd. Automatic 4RE
 Transmission
 DG0 = Transmissions - All Automatic

AR = use ase required - = Non illustrated part

Clutch, Front And Rear 44RE (DGW)
Figure 44RE-410



| ITEM | PART NUMBER | QTY | LINE | SERIES | BODY | ENGINE | TRANS | TRIM | DESCRIPTION |
|------|-------------|-----|------|--------|------|--------|-------|------|----------------------------|
| | 02466281 | 1 | J | | | EM0 | DGW | | |
| | | 1 | T | | | ELO | DGW | | |
| | | 1 | J | | | ELO | DGW | | |
| 36 | | | | | | | | | SPRING, Rear Clutch |
| | 02466283 | 1 | J | | | EM0 | DGW | | |
| | | 1 | J | | | ELO | DGW | | |
| | | 1 | T | | | ELO | DGW | | |
| 37 | | | | | | | | | SPRING, Rear Clutch Piston |
| | 04728487 | 1 | J | | | EM0 | DGW | | |
| | | 1 | J | | | ELO | DGW | | |
| | | 1 | T | | | ELO | DGW | | |
| 38 | | | | | | | | | SEAL, Rear Clutch Piston |
| | 02538695 | 1 | J | | | EM0 | DGW | | |
| | | 1 | J | | | ELO | DGW | | |
| | | 1 | T | | | ELO | DGW | | |
| 39 | | | | | | | | | PISTON, Clutch |
| | 03515716 | 1 | J | | | EM0 | DGW | | |
| | | 1 | J | | | ELO | DGW | | |
| | | 1 | T | | | ELO | DGW | | |
| 40 | | | | | | | | | SEAL, Rear Clutch Piston |
| | 02538510 | 1 | J | | | EM0 | DGW | | |
| | | 1 | J | | | ELO | DGW | | |
| | | 1 | T | | | ELO | DGW | | |

GRAND CHEROKEE (ZJ)

SERIES LINE
L = LOWLINE T = JEEP - 2WD
J = JEEP - 4WD

BODY
74 = SPORT UTILITY 4-DR

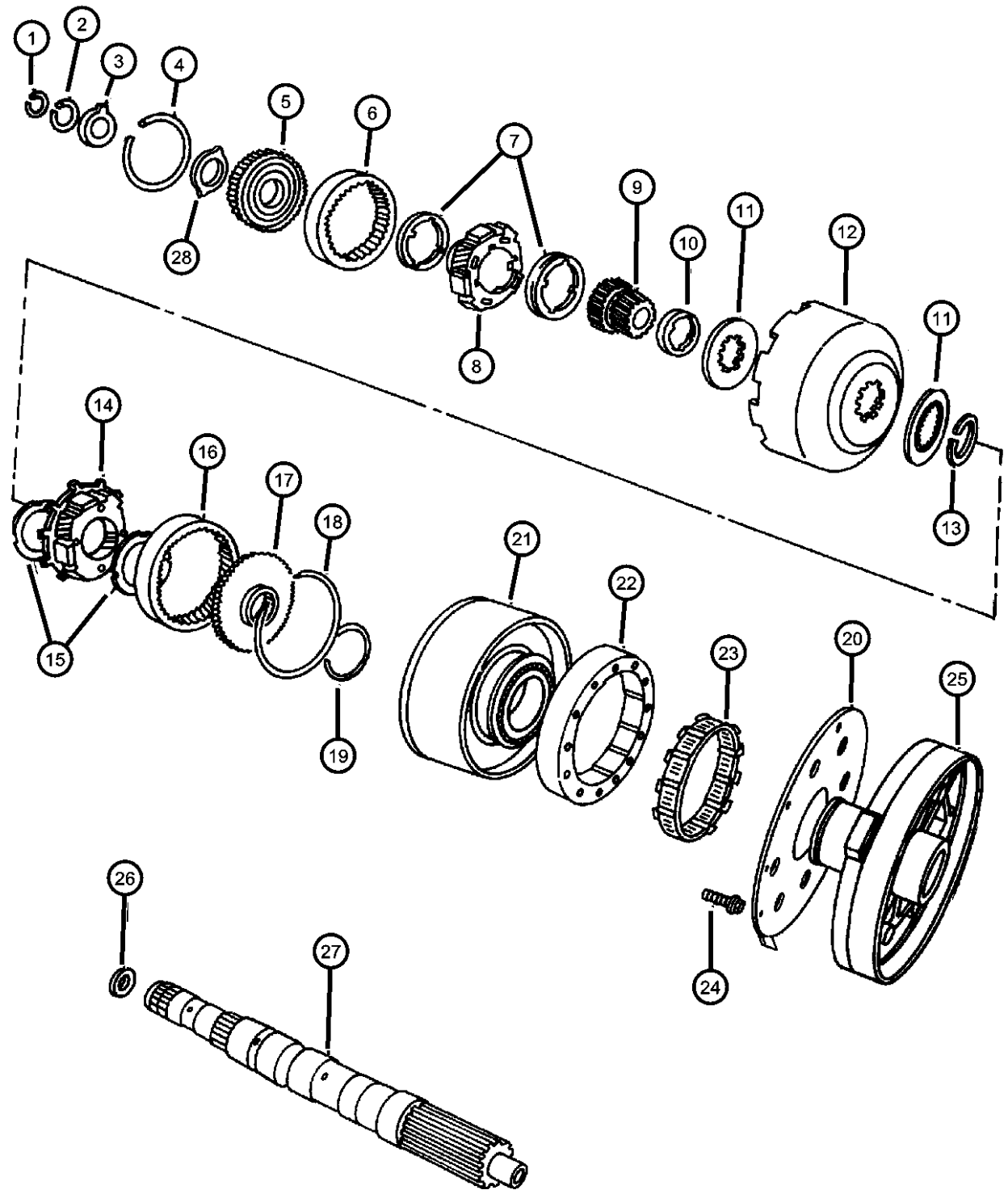
ENGINE
ELF = 5.2L V8 MPI Engine
EML = 5.9L V8 MPI Engine
ERH = 4.0L Power Tech I-6 Engine

TRANSMISSION
DGK = 4-Spd. Automatic 42RE Transmission
DGW = 4-Spd. Automatic 4RE Transmission
DG0 = Transmissions - All Automatic

AR = use ase required - = Non illustrated part

1997 ZJ

**Gear Train 44RE (DGW)
Figure 44RE-420**



| ITEM | PART NUMBER | QTY | LINE | SERIES | BODY | ENGINE | TRANS | TRIM | DESCRIPTION |
|------|-------------|-----|------|--------|------|--------|-------|------|--|
| 1 | 06026289 | 1 | J | | | EM0 | DGW | | SNAP RING, .946 ID |
| | | 1 | J | | | ELO | DGW | | |
| | | 1 | T | | | ELO | DGW | | |
| 2 | 06030576 | 1 | J | | | EM0 | DGW | | SNAP RING, Annulus Gear, 1.375 ID |
| | | 1 | T | | | ELO | DGW | | |
| | | 1 | J | | | ELO | DGW | | |
| 3 | 03681969 | 1 | J | | | EM0 | DGW | | THRUST WASHER, Annulus Gear |
| | | 1 | T | | | ELO | DGW | | Frnt. Annulus Gear Support, Thrust w/Lip, 2-1/8" O.D. |
| | | 1 | J | | | ELO | DGW | | Frnt. Annulus Gear Support, Thrust w/Lip, 2-1/8" O.D. |
| 4 | 06035238 | 1 | J | | | EM0 | DGW | | SNAP RING |
| | | 1 | J | | | ELO | DGW | | |
| | | 1 | T | | | ELO | DGW | | |
| 5 | 04617774 | 1 | T | | | ELO | DGW | | SUPPORT, Annulus Gear w/Bushing, Frnt. Annulus Gear |
| | | 1 | J | | | ELO | DGW | | w/Bushing, Frnt. Annulus Gear |
| 6 | 04130512 | 1 | T | | | ELO | DGW | | GEAR, Front Annulus |
| | | 1 | J | | | ELO | DGW | | |
| 7 | 04130518 | 2 | T | | | ELO | DGW | | THRUST WASHER, Planetary Carrier Frnt. Carrier Thrust, 2-5/8" I.D., w/4 Tabs I.D. |
| | | 2 | J | | | ELO | DGW | | Frnt. Carrier Thrust, 2-5/8" I.D., w/4 Tabs I.D. |
| 8 | 04431438 | 1 | J | | | EM0 | DGW | | CARRIER, Planetary Pinion |
| | | 1 | T | | | ELO | DGW | | |
| | | 1 | J | | | ELO | DGW | | |
| 9 | 04130685 | 1 | T | | | ELO | DGW | | GEAR, Sun w/Bushing, Sun 38T-28T |
| | | 1 | J | | | ELO | DGW | | w/Bushing, Sun 38T-28T |

GRAND CHEROKEE (ZJ)

SERIES LINE
 L = LOWLINE T = JEEP - 2WD
 J = JEEP - 4WD

BODY
 74 = SPORT UTILITY 4-DR

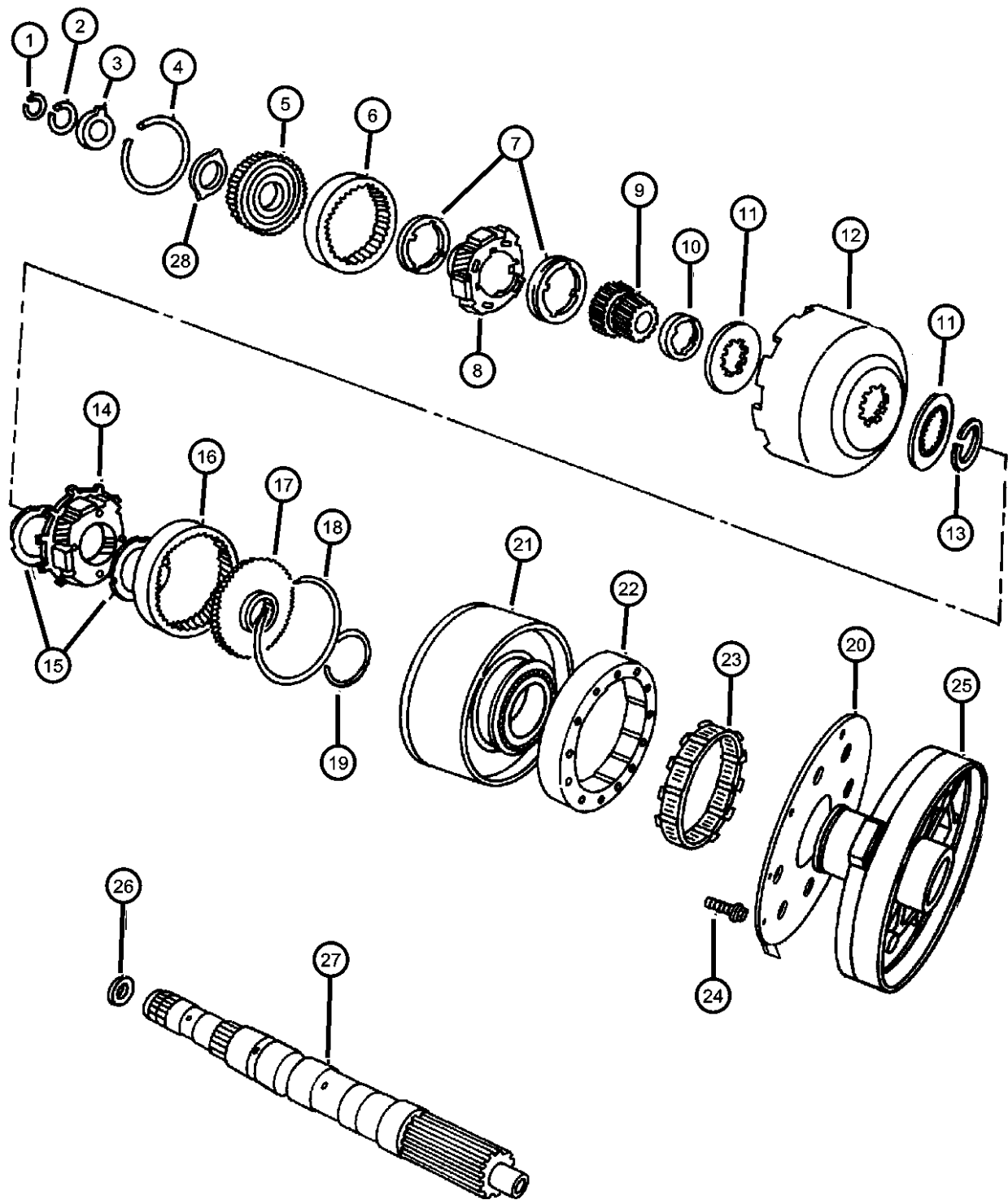
ENGINE
 ELF = 5.2L V8 MPI Engine
 EML = 5.9L V8 MPI Engine
 ERH = 4.0L Power Tech I-6 Engine

TRANSMISSION
 DGK = 4-Spd. Automatic 42RE Transmission
 DGW = 4-Spd. Automatic 4RE Transmission
 DG0 = Transmissions - All Automatic

AR = use ase required - = Non illustrated part

Gear Train 44RE (DGW)

Figure 44RE-420



| ITEM | PART NUMBER | QTY | LINE | SERIES | BODY | ENGINE | TRANS | TRIM | DESCRIPTION |
|------|-------------|-----|------|--------|------|--------|-------|------|--|
| 10 | 04130736 | 1 | T | | | ELO | DGW | | SPACER, Sun Gear 4 Inner Teeth, 2" O.D. |
| | | 1 | J | | | ELO | DGW | | 4 Inner Teeth, 2" O.D. |
| 11 | 04471566 | 2 | T | | | ELO | DGW | | PLATE, Transmission Module Sun Gear Driving Shell, Thrust |
| | | 2 | J | | | ELO | DGW | | Sun Gear Driving Shell, Thrust |
| 12 | 04531288 | 1 | T | | | ELO | DGW | | SHELL, Sun Gear Driving |
| | | 1 | J | | | ELO | DGW | | Driving |
| 13 | 01942439 | 1 | T | | | ELO | DGW | | SNAP RING, Sun Gear Shell Driving Shell, Lock 1-41/64" O.D. |
| | | 1 | J | | | ELO | DGW | | Driving Shell, Lock 1-41/64" O.D. |
| 14 | 04431438 | 1 | T | | | ELO | DGW | | CARRIER, Planetary Pinion Rear Planet Pinion |
| | | 1 | J | | | ELO | DGW | | Rear Planet Pinion |
| 15 | 03681935 | 1 | J | | | EM0 | DGW | | THRUST WASHER, Planetary Carrier |
| | | 1 | J | | | ELO | DGW | | |
| | | 1 | T | | | ELO | DGW | | |
| 16 | 03743184 | 1 | J | | | EM0 | DGW | | GEAR, Rear Annulus |
| | | 1 | T | | | ELO | DGW | | |
| | | 1 | J | | | ELO | DGW | | |
| 17 | 03515501 | AR | | | | | | | SUPPORT, Annulus Gear, Rr. , 62T-28T, 4" O.D. |
| 18 | 01942444 | 1 | J | | | EM0 | DGW | | SNAP RING |
| | | 1 | T | | | ELO | DGW | | Rr. Annulus Gear, 4-1/16" O.D. |
| | | 1 | J | | | ELO | DGW | | Rr. Annulus Gear, 4-1/16" O.D. |
| 19 | 06033480 | 1 | J | | | EM0 | DGW | | SNAP RING, Reverse Drum |
| | | 1 | T | | | ELO | DGW | | |
| | | 1 | J | | | ELO | DGW | | |
| 20 | | | | | | | | | GASKET, Overdrive Piston Retainer |

GRAND CHEROKEE (ZJ)

SERIES LINE
L = LOWLINE T = JEEP - 2WD
 J = JEEP - 4WD

BODY
74 = SPORT UTILITY 4-DR

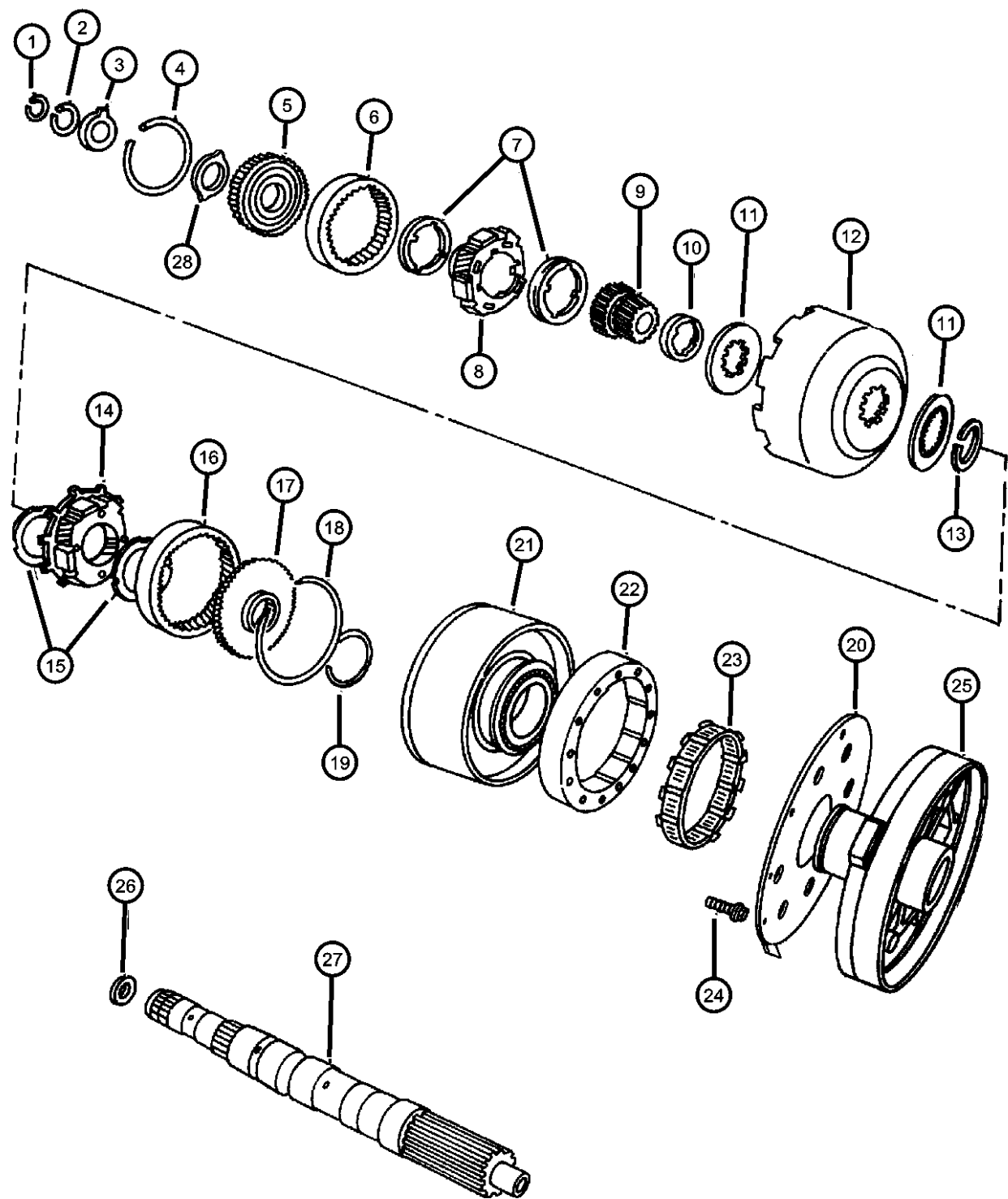
ENGINE
ELF = 5.2L V8 MPI Engine
EML = 5.9L V8 MPI Engine
ERH = 4.0L Power Tech I-6
Engine

TRANSMISSION
DGK = 4-Spd. Automatic 42RE
Transmission
DGW = 4-Spd. Automatic 4RE
Transmission
DG0 = Transmissions - All Automatic

AR = use ase required - = Non illustrated part

Gear Train 44RE (DGW)

Figure 44RE-420



| ITEM | PART NUMBER | QTY | LINE | SERIES | BODY | ENGINE | TRANS | TRIM | DESCRIPTION |
|------|-------------|-----|------|--------|------|--------|-------|------|--|
| | 04471564 | 1 | J | | | EM0 | DGW | | |
| | | 1 | T | | | ELO | DGW | | |
| | | 1 | J | | | ELO | DGW | | |
| 21 | | | | | | | | | DRUM PACKAGE, Transmission |
| | 04637956 | 1 | J | | | EM0 | DGW | | |
| | | 1 | T | | | ELO | DGW | | Reverse |
| | | 1 | J | | | ELO | DGW | | |
| 22 | | | | | | | | | CAM, Overrunning Clutch |
| | 04431690 | 1 | J | | | EM0 | DGW | | |
| | | 1 | T | | | ELO | DGW | | |
| | | 1 | J | | | ELO | DGW | | |
| 23 | | | | | | | | | CLUTCH, Overrunning |
| | 04431432 | 1 | J | | | EM0 | DGW | | w/Rollers and Springs |
| | | 1 | T | | | ELO | DGW | | w/Rollers and Springs |
| | | 1 | J | | | ELO | DGW | | w/Rollers and Springs |
| 24 | | | | | | | | | SCREW, Hex Flange Head, .25-28x.875 |
| | 06033616 | 5 | J | | | EM0 | DGW | | |
| | | 5 | J | | | ELO | DGW | | |
| | | 5 | T | | | ELO | DGW | | |
| 25 | | | | | | | | | RETAINER, Transmission Overdrive Clutch Piston |
| | 04617246 | 1 | J | | | EM0 | DGW | | Piston |
| | | 1 | T | | | ELO | DGW | | Piston |
| | | 1 | J | | | ELO | DGW | | Piston |
| 26 | | | | | | | | | PLATE, Transmission Module |
| | 04505188 | 1 | J | | | EM0 | DGW | | Intermediate Shaft Thrust, .060" Thk. |
| | | 1 | T | | | ELO | DGW | | Intermediate Shaft Thrust, .060" Thk. |
| | | 1 | J | | | ELO | DGW | | Intermediate Shaft Thrust, .060" Thk. |
| 27 | | | | | | | | | INTERMEDIATE SHAFT, Transmission |
| | 04617604 | 1 | J | | | EM0 | DGW | | w/Plug |
| | | 1 | T | | | ELO | DGW | | w/Plug |
| | | 1 | J | | | ELO | DGW | | w/Plug |

GRAND CHEROKEE (ZJ)

SERIES LINE
 L = LOWLINE T = JEEP - 2WD
 J = JEEP - 4WD

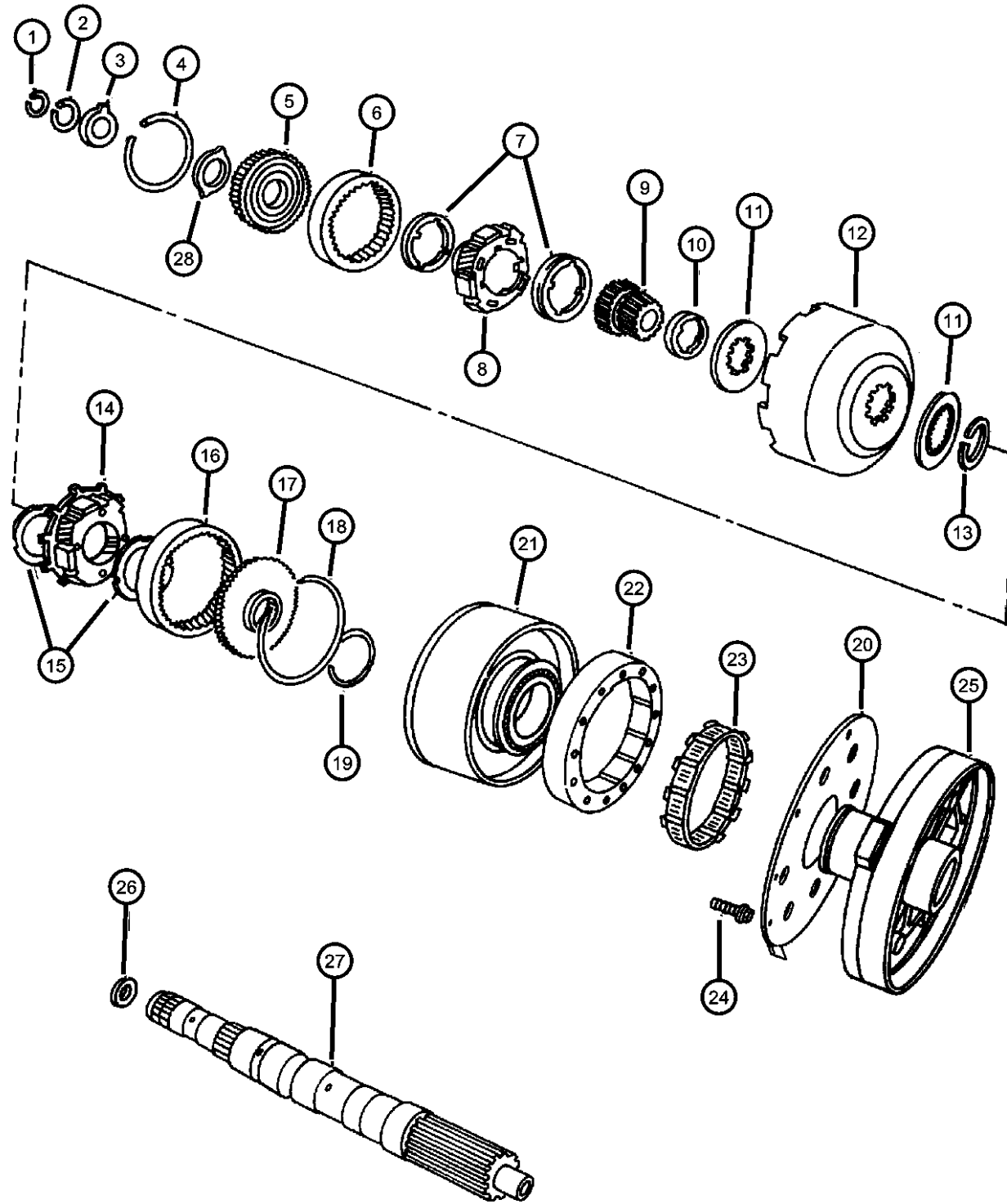
BODY
 74 = SPORT UTILITY 4-DR

ENGINE
 ELF = 5.2L V8 MPI Engine
 EML = 5.9L V8 MPI Engine
 ERH = 4.0L Power Tech I-6 Engine

TRANSMISSION
 DGK = 4-Spd. Automatic 42RE Transmission
 DGW = 4-Spd. Automatic 4RE Transmission
 DG0 = Transmissions - All Automatic

AR = use ase required - = Non illustrated part

**Gear Train 44RE (DGW)
Figure 44RE-420**



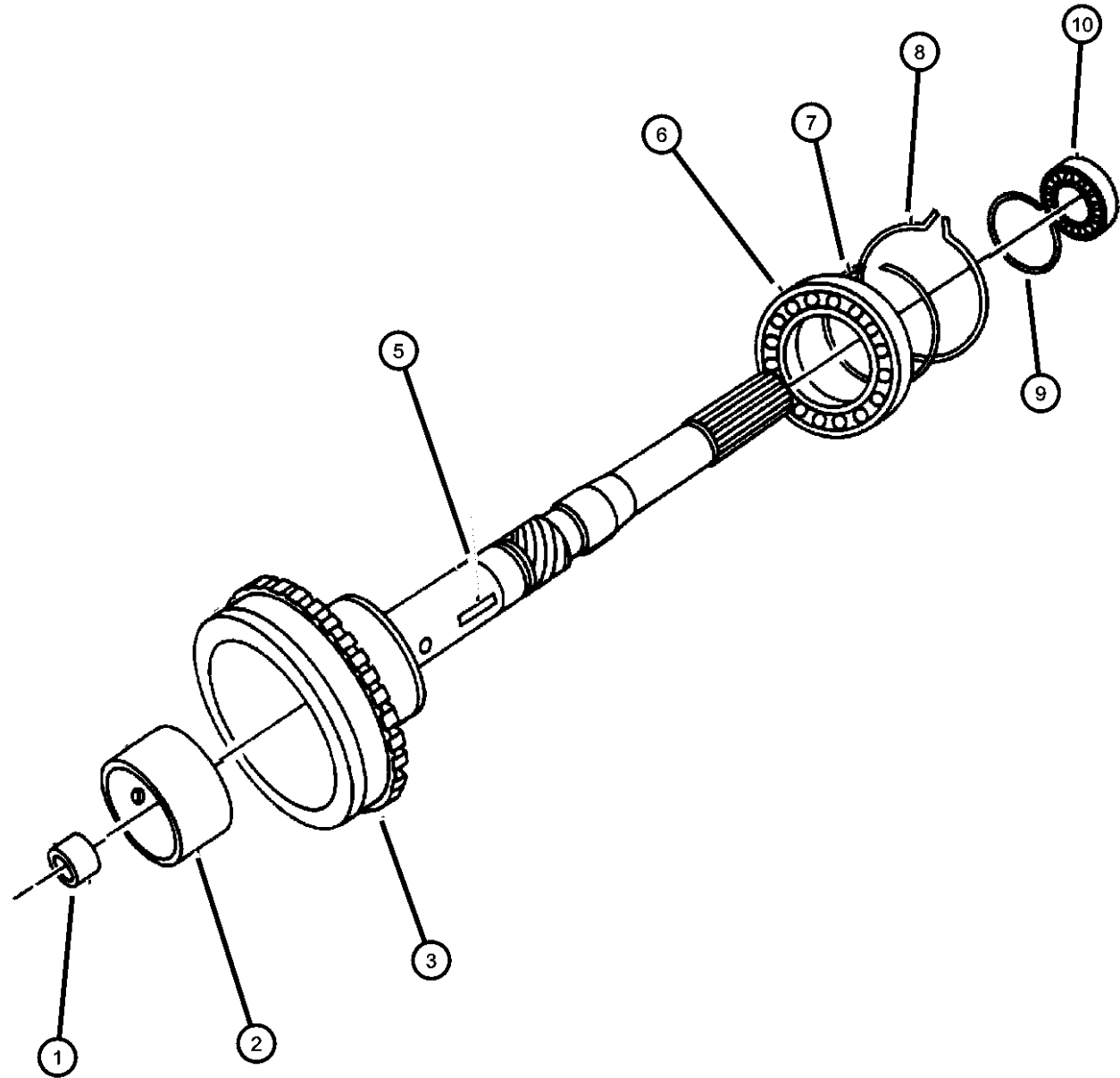
| ITEM | PART NUMBER | QTY | LINE | SERIES | BODY | ENGINE | TRANS | TRIM | DESCRIPTION |
|------|-------------|-----|------|--------|------|--------|-------|------|---|
| 28 | 04617775 | 1 | J | | | EM0 | DGW | | PLATE, Annulus Gear Thrust Front , 2.168"O.D., 1.515"., .030" Thick |
| | | 1 | T | | | ELO | DGW | | Front , 2.168"O.D., 1.515"., .030" Thick |
| | | 1 | J | | | ELO | DGW | | Front , 2.168"O.D., 1.515"., .030" Thick |

GRAND CHEROKEE (ZJ)

| | | | | |
|-------------|----------------------------------|-------------------------|---|--|
| SERIES | LINE | BODY | ENGINE | TRANSMISSION |
| L = LOWLINE | T = JEEP - 2WD J = JEEP - 4WD | 74 = SPORT UTILITY 4-DR | ELF = 5.2L V8 MPI Engine EML = 5.9L V8 MPI Engine ERH = 4.0L Power Tech I-6 Engine | DGK = 4-Spd. Automatic 42RE Transmission DGW = 4-Spd. Automatic 4RE Transmission DG0 = Transmissions - All Automatic |

AR = use ase required - = Non illustrated part

**Output Shaft 44RE (DGW)
Figure 44RE-430**



| ITEM | PART NUMBER | QTY | LINE | SERIES | BODY | ENGINE | TRANS | TRIM | DESCRIPTION |
|------|-------------|-----|------|--------|------|---------------|-------|------|---|
| 1 | | 1 | | | | | | | BUSHING, BUSHING, O/P Shaft Pilot, (Serviced in O/P Shaft), (NOT SERVICED), |
| 2 | | 1 | | | | | | | BUSHING, (NOT SERVICED) |
| 3 | | | | | | | | | SHAFT, Output |
| | 04864501 | 1 | T | | | ELO | DGW | | w/Key, Output *** |
| | | 1 | T | | | ELO | DGW | | |
| -4 | | | | | | | | | SHAFT, Output |
| | 04798536 | 1 | J | | | EM0 | DGW | | |
| | | 1 | J | | | ELO | DGW | | |
| 5 | | 1 | | | | | | | KEY, Shaft, (NOT SERVICED) |
| 6 | | | | | | | | | BEARING, Output Shaft |
| | 04461008 | 1 | T | | | ELO | DGW | | O/P Shaft Front |
| | | 1 | J | | | EM0 | DGW | | O/P Shaft Front |
| | | 1 | J | | | ELO | DGW | | O/P Shaft Front |
| 7 | | | | | | | | | SNAP RING |
| | 04461068 | 1 | T | | | ELO | DGW | | O/P Shaft Front Bearing |
| | | 1 | J | | | EM0 | DGW | | O/P Shaft Front Bearing |
| | | 1 | J | | | ELO | DGW | | O/P Shaft Front Bearing |
| 8 | | | | | | | | | SNAP RING |
| | 04461057 | 1 | T | | | ELO | DGW | | O/P Shaft Brg. to Case |
| | | 1 | J | | | EM0 | DGW | | O/P Shaft Brg. to Case |
| | | 1 | J | | | ELO | DGW | | O/P Shaft Brg. to Case |
| 9 | 04461069 | 1 | T | | | ELO | DGW | | SNAP RING, O/P Shaft Rear Bearing |
| 10 | | | | | | | | | BEARING, Output Shaft |
| | 02466224 | 1 | T | | | ELO | DGW | | O/P Shaft, Rear, 2.8344 O.D. |
| | | 1 | J | | | ELO, EM0, ERO | DG0 | | O/P Shaft, Rear, 2.8344 O.D. |

GRAND CHEROKEE (ZJ)

SERIES LINE
L = LOWLINE T = JEEP - 2WD
 J = JEEP - 4WD

BODY
74 = SPORT UTILITY 4-DR

ENGINE
ELF = 5.2L V8 MPI Engine
EML = 5.9L V8 MPI Engine
ERH = 4.0L Power Tech I-6 Engine

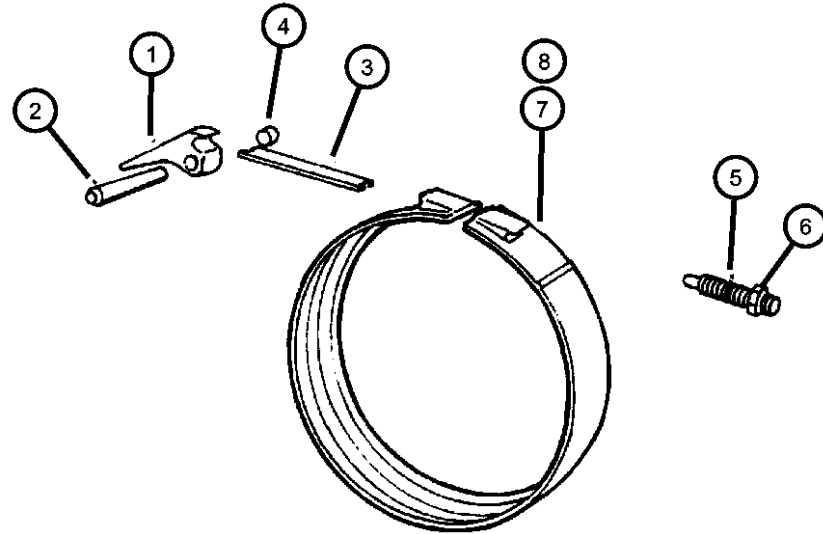
TRANSMISSION
DGK = 4-Spd. Automatic 42RE Transmission
DGW = 4-Spd. Automatic 4RE Transmission
DG0 = Transmissions - All Automatic

AR = use ase required - = Non illustrated part

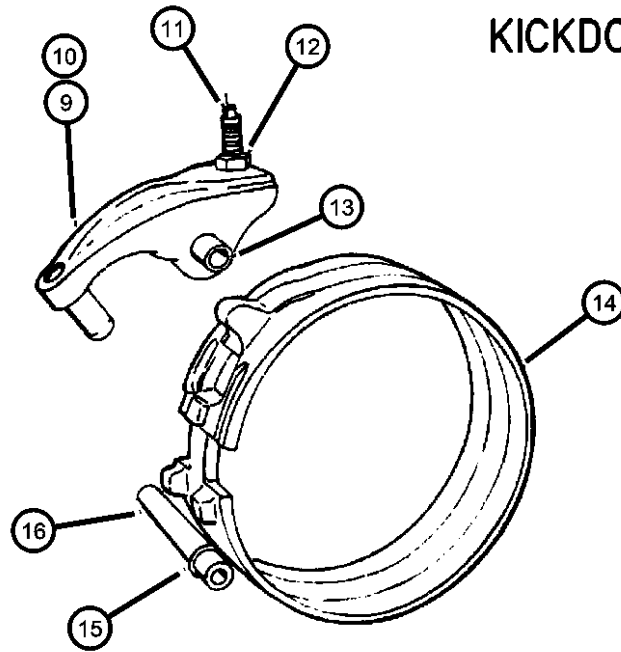
1997 ZJ

**Bands, 44RE (DGW)
Figure 44RE-510**

| ITEM | PART NUMBER | QTY | LINE | SERIES | BODY | ENGINE | TRANS | TRIM | DESCRIPTION |
|------|-------------|-----|------|--------|------|--------|-------|------|---|
| 1 | 02124666 | 1 | J | | | ELO | DGW | | LEVER, Kickdown |
| | | 1 | T | | | ELO | DGW | | |
| 2 | 04531181 | 1 | T | | | ELO | DGW | | SHAFT, Band Lever |
| | | 1 | J | | | ELO | DGW | | Kickdown Lever |
| 3 | 03515084 | 1 | T | | | ELO | DGW | | STRUT, Kickdown Band |
| | | 1 | J | | | ELO | DGW | | Kickdown Band |
| 4 | | 1 | | | | | | | PLUG, 1/4"-18 Pipe, (NOT SERVICED), |
| 5 | 01942477 | 1 | T | | | ELO | DGW | | SCREW, Trans Kickdown Band Adjusting, .5-20x2.88 |
| | | 1 | J | | | ELO | DGW | | Kickdown Band Adjusting |
| 6 | 00124934 | 1 | T | | | ELO | DGW | | NUT, Hex Jam, .50-20 |
| | | 1 | J | | | ELO | DGW | | Kickdown Band Adj. Screw, 1/2-20 |
| 7 | 04617899 | 1 | J | | | ELO | DGW | | Kickdown Band Adj. Screw, 1/2-20 |
| | | 1 | T | | | ELO | DGW | | BAND, Kickdown |
| 8 | 04617899 | 1 | J | | | ELO | DGW | | BAND, Kickdown |
| | | 1 | T | | | ELO | DGW | | With Transmisssion (52119532) |
| 9 | 04202764 | 1 | T | | | ELO | DGW | | LEVER, Reverse Band |
| | | 1 | J | | | ELO | DGW | | w/Stem |
| 10 | 04202765 | 1 | T | | | ELO | DGW | | LEVER, Reverse Band |
| | | 1 | J | | | ELO | DGW | | w/Stem |
| 11 | 02538472 | 1 | T | | | ELO | DGW | | SCREW, Trans Reverse Band Adjusting, .375-24-1.88 |
| | | 1 | J | | | ELO | DGW | | |
| 12 | | | | | | | | | NUT, Hex, .375-24 |



KICKDOWN BAND



DOUBLE WRAP REVERSE BAND

GRAND CHEROKEE (ZJ)

SERIES LINE
L = LOWLINE T = JEEP - 2WD
 J = JEEP - 4WD

BODY
74 = SPORT UTILITY 4-DR

ENGINE
ELF = 5.2L V8 MPI Engine
EML = 5.9L V8 MPI Engine
ERH = 4.0L Power Tech I-6 Engine

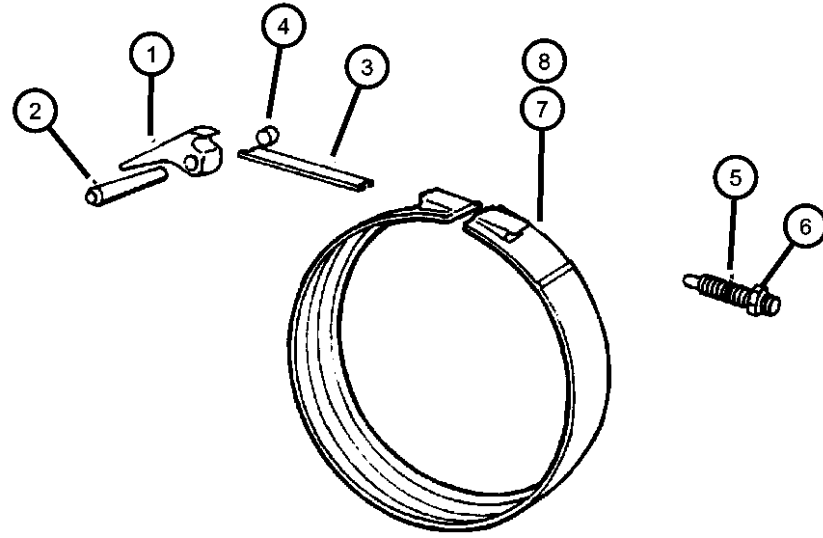
TRANSMISSION
DGK = 4-Spd. Automatic 42RE Transmission
DGW = 4-Spd. Automatic 4RE Transmission
DG0 = Transmissions - All Automatic

AR = use ase required - = Non illustrated part

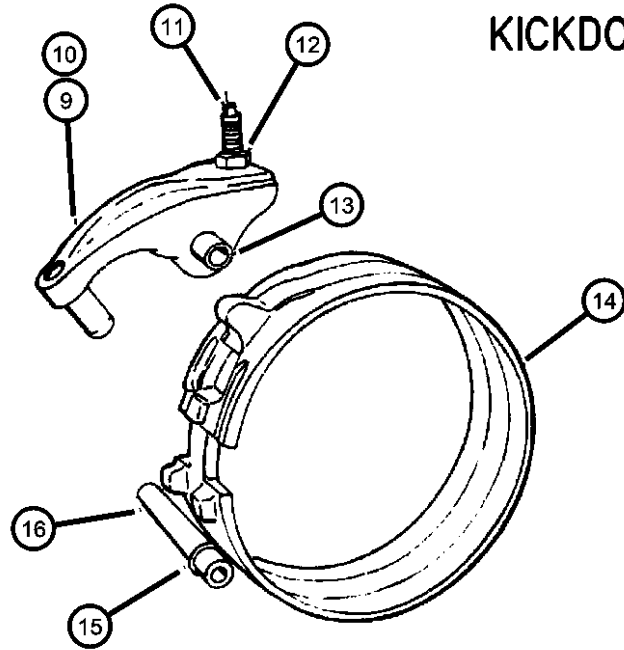
1997 ZJ

Bands, 44RE (DGW)
Figure 44RE-510

| ITEM | PART NUMBER | QTY | LINE | SERIES | BODY | ENGINE | TRANS | TRIM | DESCRIPTION |
|------|-------------|-----|------|--------|------|--------|-------|------|-----------------------|
| | 00114942 | 1 | T | | | ELO | DGW | | |
| | | 1 | J | | | ELO | DGW | | |
| 13 | 03410102 | 1 | T | | | ELO | DGW | | SHAFT, Reverse Band |
| | | 1 | J | | | ELO | DGW | | Lever |
| 14 | 04431406 | 1 | T | | | ELO | DGW | | BAND, Reverse |
| | | 1 | J | | | ELO | DGW | | |
| 15 | 06030657 | 1 | J | | | EM0 | DGW | | O RING, Steering Gear |
| | | 1 | T | | | ELO | DGW | | |
| 16 | 03410102 | 1 | T | | | ELO | DGW | | SHAFT, Reverse Band |
| | | 1 | J | | | ELO | DGW | | Reaction |
| | | 1 | J | | | ELO | DGW | | Reaction |



KICKDOWN BAND



DOUBLE WRAP REVERSE BAND

GRAND CHEROKEE (ZJ)

SERIES LINE
L = LOWLINE T = JEEP - 2WD
J = JEEP - 4WD

BODY
74 = SPORT UTILITY 4-DR

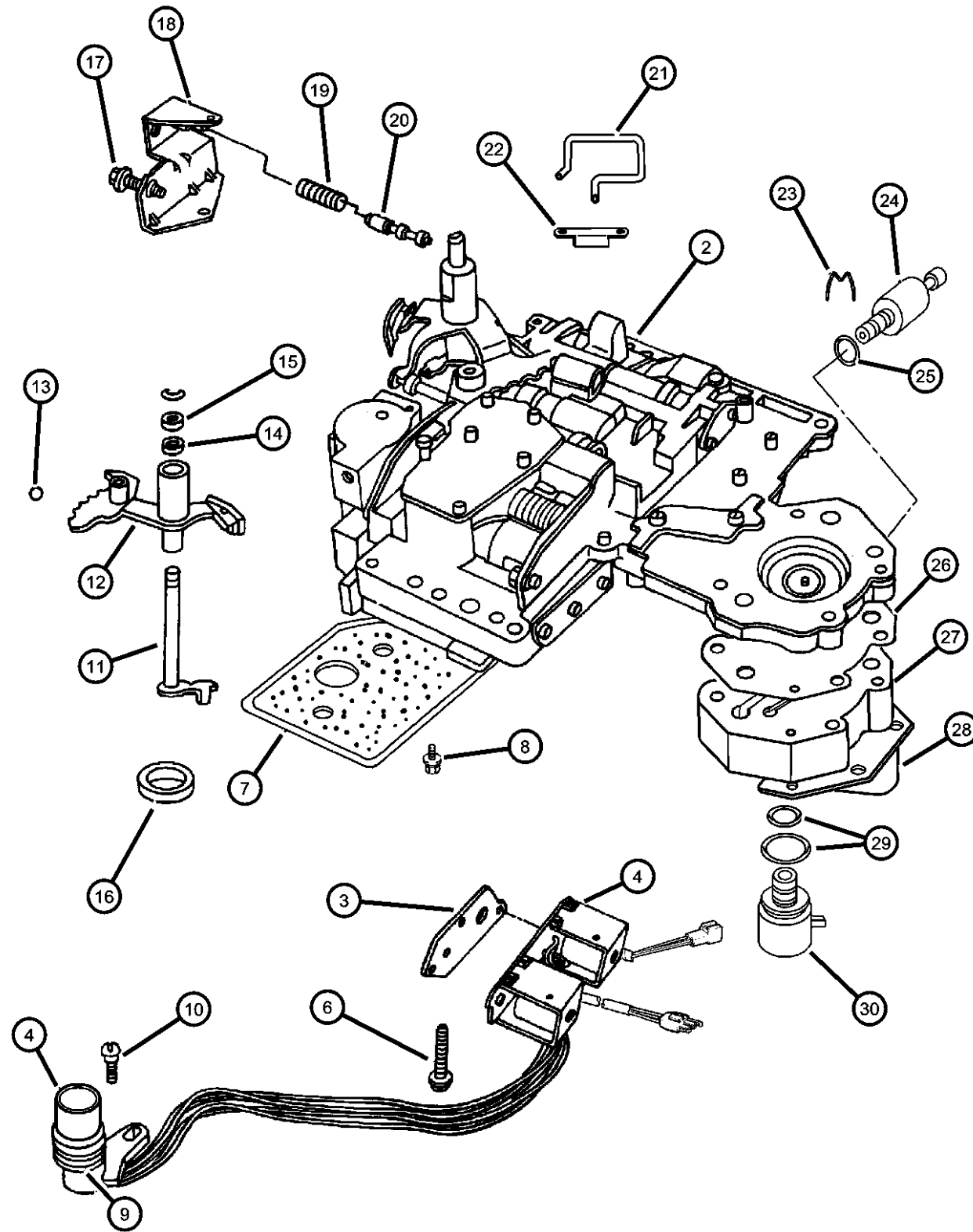
ENGINE
ELF = 5.2L V8 MPI Engine
EML = 5.9L V8 MPI Engine
ERH = 4.0L Power Tech I-6 Engine

TRANSMISSION
DGK = 4-Spd. Automatic 42RE Transmission
DGW = 4-Spd. Automatic 4RE Transmission
DG0 = Transmissions - All Automatic

AR = use ase required - = Non illustrated part

1997 ZJ

**Valve Body 44RE (DGW)
Figure 44RE-710**



| ITEM | PART NUMBER | QTY | LINE | SERIES | BODY | ENGINE | TRANS | TRIM | DESCRIPTION |
|------|-------------|-----|------|--------|------|--------|-------|------|---|
| -1 | 04863933 | 1 | T | | | ELO | DGW | | SEAL AND GASKET PACKAGE, Valve Body and Servo |
| 2 | 52118649 | 1 | T | | | ELO | DGW | | BODY, Transfer Plate |
| | | 1 | J | | | ELO | DGW | | |
| 3 | 04446194 | 1 | T | | | ELO | DGW | | GASKET, Lock-up Solenoid, Solenoid |
| 4 | | | | | | | | | SOLENOID, Transmission Overdrive |
| | 04798221 | 1 | T | | | ELO | DGW | | |
| | | 1 | J | | | ELO | DGW | | |
| -5 | | | | | | | | | TRANSDUCER, Pressure Sensor |
| | 56027720 | 1 | T | | | ELO | DGW | | |
| | | 1 | J | | | ELO | DGW | | |
| 6 | 00181071 | 3 | T | | | ELO | DGW | | BOLT, Valve Body, .25-20x1.75 |
| | | 3 | J | | | ELO | DGW | | |
| 7 | | | | | | | | | FILTER, Valve Body |
| | 03515996 | 1 | T | | | ELO | DGW | | |
| | | 1 | J | | | ELO | DGW | | |
| 8 | | | | | | | | | SCREW AND WASHER, Oil Filter Mounting, Fillester Head .190-24x2.500 |
| | 06033826 | 3 | T | | | ELO | DGW | | |
| | | 3 | J | | | ELO | DGW | | |
| 9 | | | | | | | | | O RING, Solenoid Wiring, Transmission |
| | 06034748 | 2 | J | | | ELO | DGW | | |
| | | 2 | T | | | ELO | DGW | | |
| 10 | 06033985 | 1 | T | | | ELO | DGW | | SCREW, Tapping, .19-24x.75 Solenoid Wiring Conn. Mtg. |
| | | 1 | J | | | ELO | DGW | | Solenoid Wiring Conn. Mtg. |
| 11 | | | | | | | | | LEVER, Throttle Valve |
| | 03681227 | 1 | T | | | ELO | DGW | | |
| | | 1 | J | | | ELO | DGW | | |
| 12 | | | | | | | | | LEVER, Manual Valve |
| | 04617439 | 1 | T | | | ELO | DGW | | w/Insulator |
| | | 1 | J | | | ELO | DGW | | w/Insulator |

GRAND CHEROKEE (ZJ)

SERIES LINE
 L = LOWLINE T = JEEP - 2WD
 J = JEEP - 4WD

BODY
 74 = SPORT UTILITY 4-DR

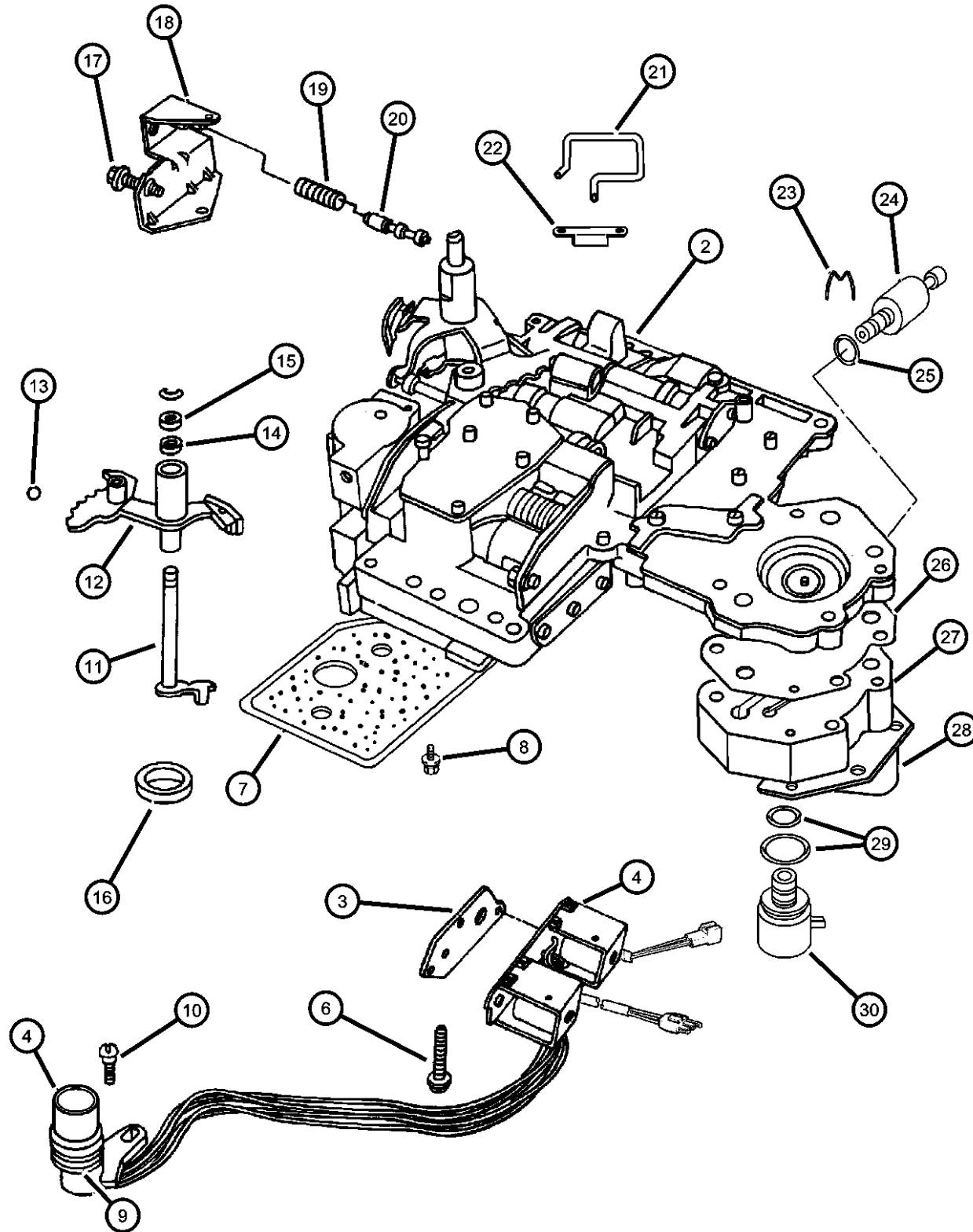
ENGINE
 ELF = 5.2L V8 MPI Engine
 EML = 5.9L V8 MPI Engine
 ERH = 4.0L Power Tech I-6 Engine

TRANSMISSION
 DGK = 4-Spd. Automatic 42RE Transmission
 DGW = 4-Spd. Automatic 4RE Transmission
 DG0 = Transmissions - All Automatic

AR = use ase required - = Non illustrated part

1997 ZJ

Valve Body 44RE (DGW)
Figure 44RE-710



| ITEM | PART NUMBER | QTY | LINE | SERIES | BODY | ENGINE | TRANS | TRIM | DESCRIPTION |
|------|-------------|-----|------|--------|------|--------|-------|------|--|
| 13 | | | | | | | | | BALL, Manual Lever Detent, .343 Diameter |
| | 00147488 | 1 | T | | | ELO | DGW | | |
| | | 1 | J | | | ELO | DGW | | |
| 14 | | | | | | | | | SEAL, Valve Lever Shift |
| | 02466548 | 1 | T | | | ELO | DGW | | |
| | | 1 | J | | | ELO | DGW | | |
| 15 | | | | | | | | | WASHER, Manual Valve Lever |
| | 02538062 | 1 | T | | | ELO | DGW | | |
| | | 1 | J | | | ELO | DGW | | |
| 16 | | | | | | | | | SEAL, Manual Shift Valve, 1.25 OD |
| | 04505098 | 1 | T | | | ELO | DGW | | |
| | | 1 | J | | | ELO | DGW | | |
| 17 | | | | | | | | | SCREW, Cap Head Lock, .312-24x1.25 |
| | 06030609 | 1 | T | | | ELO | DGW | | Throttle Pressure Adjusting |
| | | 1 | J | | | ELO | DGW | | Throttle Pressure Adjusting |
| 18 | | | | | | | | | BRACKET, Valve Body Switch |
| | 04617010 | 1 | T | | | ELO | DGW | | Throttle Pressure Adj. Screw |
| | | 1 | J | | | ELO | DGW | | Throttle Pressure Adj. Screw |
| 19 | | | | | | | | | SPRING, Switch Valve |
| | 04130492 | 1 | T | | | ELO | DGW | | |
| | | 1 | J | | | ELO | DGW | | |
| 20 | | | | | | | | | VALVE, Trans Lockup Switch |
| | 04505036 | 1 | T | | | ELO | DGW | | |
| | | 1 | J | | | ELO | DGW | | |
| 21 | | | | | | | | | TUBE, Boost Valve |
| | 04617008 | 1 | T | | | ELO | DGW | | |
| | | 1 | J | | | ELO | DGW | | |
| 22 | | | | | | | | | RETAINER, Boost Valve Oil Supply Tube |
| | 52117958 | 1 | T | | | ELO | DGW | | |
| | | 1 | J | | | ELO | DGW | | |
| 23 | | | | | | | | | CLIP, Transmission Governor Transducer |
| | 04617219 | 1 | T | | | ELO | DGW | | |

GRAND CHEROKEE (ZJ)

SERIES LINE
L = LOWLINE T = JEEP - 2WD
J = JEEP - 4WD

BODY
74 = SPORT UTILITY 4-DR

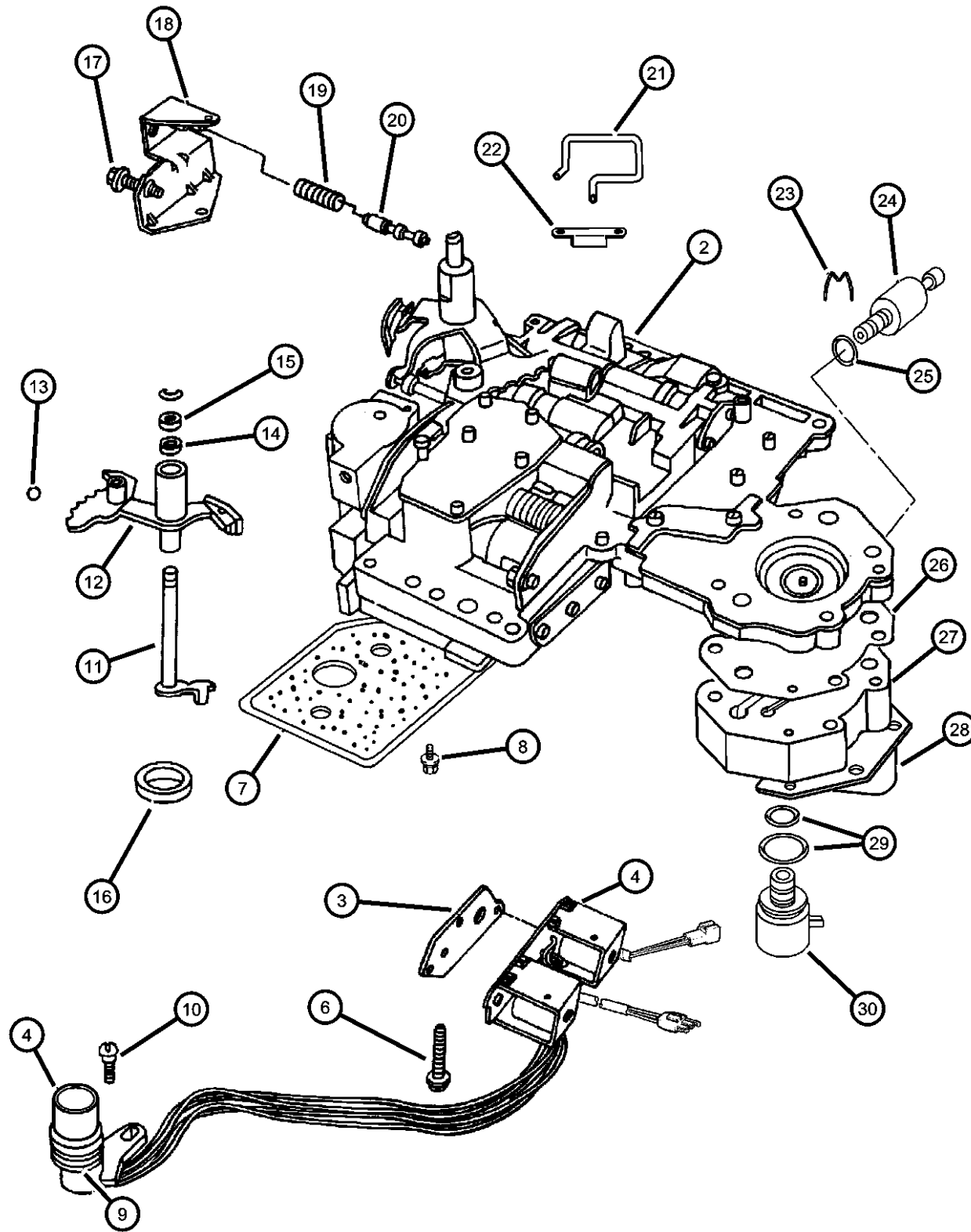
ENGINE
ELF = 5.2L V8 MPI Engine
EML = 5.9L V8 MPI Engine
ERH = 4.0L Power Tech I-6 Engine

TRANSMISSION
DGK = 4-Spd. Automatic 42RE Transmission
DGW = 4-Spd. Automatic 4RE Transmission
DG0 = Transmissions - All Automatic

AR = use ase required - = Non illustrated part

1997 ZJ

Valve Body 44RE (DGW)
Figure 44RE-710



| ITEM | PART NUMBER | QTY | LINE | SERIES | BODY | ENGINE | TRANS | TRIM | DESCRIPTION |
|------|-------------|-----|------|--------|------|--------|-------|------|---|
| 24 | | 1 | J | | | ELO | DGW | | TRANSDUCER, Pressure Sensor |
| | 56027720 | 1 | T | | | ELO | DGW | | 4 Prong Connector |
| | | 1 | J | | | ELO | DGW | | 4 Prong Connector |
| 25 | | 1 | T | | | ELO | DGW | | O RING, Pressure Switch .369 I.D. |
| | 06034493 | 1 | J | | | ELO | DGW | | .369 I.D. |
| 26 | | 1 | T | | | ELO | DGW | | GASKET, Transmission Solenoid Gov. Pressure Solenoid Body |
| | 04617216 | 1 | J | | | ELO | DGW | | Gov. Pressure Solenoid Body |
| 27 | | 1 | | | | | | | BODY, Governor, (NOT SERVICED), RETAINER, Transmission Governor Solenoid |
| 28 | | 1 | T | | | ELO | DGW | | Gov. Pressure Solenoid |
| | 04617211 | 1 | J | | | ELO | DGW | | Gov. Pressure Solenoid |
| 29 | | 1 | T | | | ELO | DGW | | O RING PACKAGE, Valve Body, Transmission Solenoid, .494 I.D., .873 I.D. |
| | 04723549 | 1 | J | | | ELO | DGW | | Solenoid, .494 I.D., .873 I.D. |
| 30 | | 1 | T | | | ELO | DGW | | SOLENOID, Transmission Governor 2 Prong Connector |
| | 04617210 | 1 | J | | | ELO | DGW | | 2 Prong Connector |
| -31 | | 1 | T | | | ELO | DGW | | SCREEN, Transmission Regulator Valve |
| | 03878313 | 1 | J | | | ELO | DGW | | |
| -32 | | 1 | T | | | ELO | DGW | | SPRING, Limit Valve |
| | 04348907 | 1 | J | | | ELO | DGW | | |

GRAND CHEROKEE (ZJ)

SERIES LINE
L = LOWLINE T = JEEP - 2WD
J = JEEP - 4WD

BODY
74 = SPORT UTILITY 4-DR

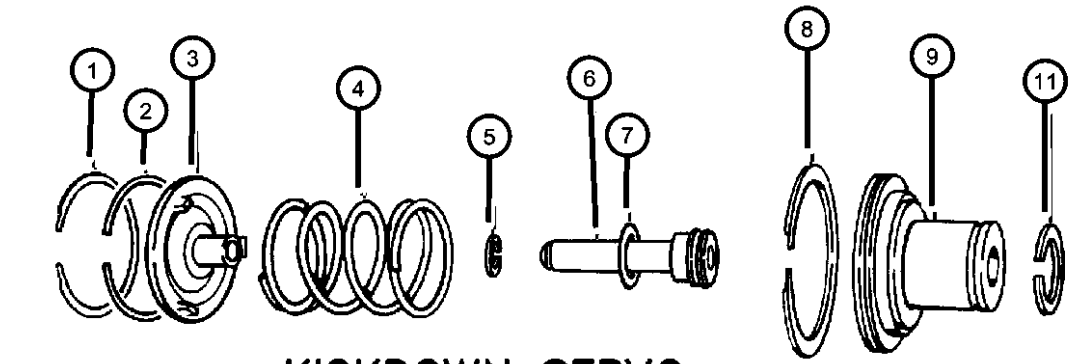
ENGINE
ELF = 5.2L V8 MPI Engine
EML = 5.9L V8 MPI Engine
ERH = 4.0L Power Tech I-6
Engine

TRANSMISSION
DGK = 4-Spd. Automatic 42RE
Transmission
DGW = 4-Spd. Automatic 4RE
Transmission
DG0 = Transmissions - All Automatic

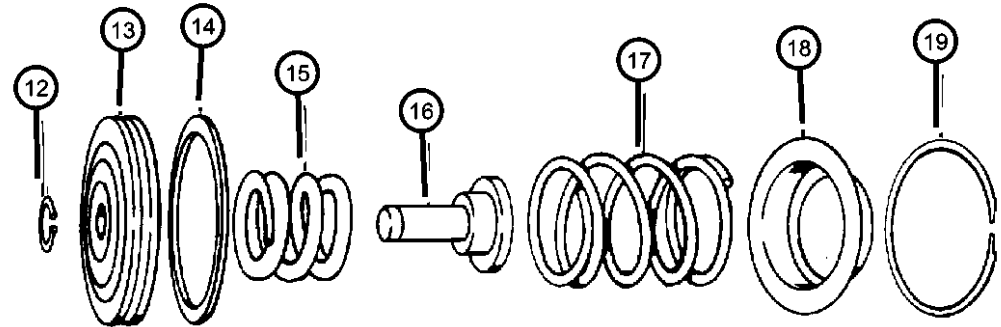
AR = use ase required - = Non illustrated part

1997 ZJ

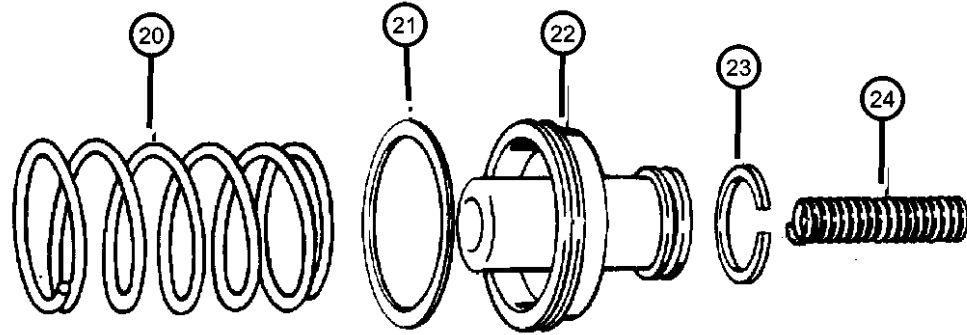
Servos, 44RE (DGW)
Figure 44RE-720



KICKDOWN SERVO



LOW AND REVERSE SERVO



ACCUMULATOR PISTON AND SPRING

| ITEM | PART NUMBER | QTY | LINE | SERIES | BODY | ENGINE | TRANS | TRIM | DESCRIPTION |
|------|-------------|-----|------|--------|------|--------|-------|------|---|
| 1 | 06028863 | 1 | T | | | ELO | DGW | | SNAP RING, Kickdown, 2.377 |
| | | 1 | J | | | ELO | DGW | | |
| 2 | 04295966 | 1 | T | | | ELO | DGW | | SEAL, Servo Guide |
| | | 1 | J | | | ELO | DGW | | |
| 3 | 03410332 | 1 | T | | | ELO | DGW | | GUIDE, Kickdown Servo |
| | | 1 | J | | | ELO | DGW | | |
| 4 | 04531119 | 1 | T | | | ELO | DGW | | SPRING, Kickdown Servo Piston |
| | | 1 | J | | | ELO | DGW | | |
| 5 | 06031392 | 1 | T | | | ELO | DGW | | SNAP RING, Brake Master Cylinder Inner, 1-1/8" I.D. |
| | | 1 | J | | | ELO | DGW | | Inner, 1-1/8" I.D. |
| 6 | 04058780 | 1 | T | | | ELO | DGW | | ROD, Kickdown Servo Piston |
| | | 1 | J | | | ELO | DGW | | |
| 7 | 06028864 | 1 | T | | | ELO | DGW | | O RING, Kick Down Servo |
| | | 1 | J | | | ELO | DGW | | |
| 8 | 04295966 | 1 | T | | | ELO | DGW | | SEAL, Servo Guide |
| | | 1 | J | | | ELO | DGW | | Kickdown Servo Piston, Large 2-3/8" O.D. |
| | | 1 | J | | | ELO | DGW | | Kickdown Servo Piston, Large 2-3/8" O.D. |
| 9 | 04058777 | 1 | T | | | ELO | DGW | | PISTON, Kickdown Servo |
| | | 1 | J | | | ELO | DGW | | |
| -10 | 06028864 | 1 | T | | | ELO | DGW | | O RING, Kick Down Servo |
| | | 1 | J | | | ELO | DGW | | |
| 11 | 03743033 | 1 | T | | | ELO | DGW | | SEAL, Kickdown Servo |
| | | 1 | J | | | ELO | DGW | | |

GRAND CHEROKEE (ZJ)

SERIES LINE
L = LOWLINE T = JEEP - 2WD
J = JEEP - 4WD

BODY
74 = SPORT UTILITY 4-DR

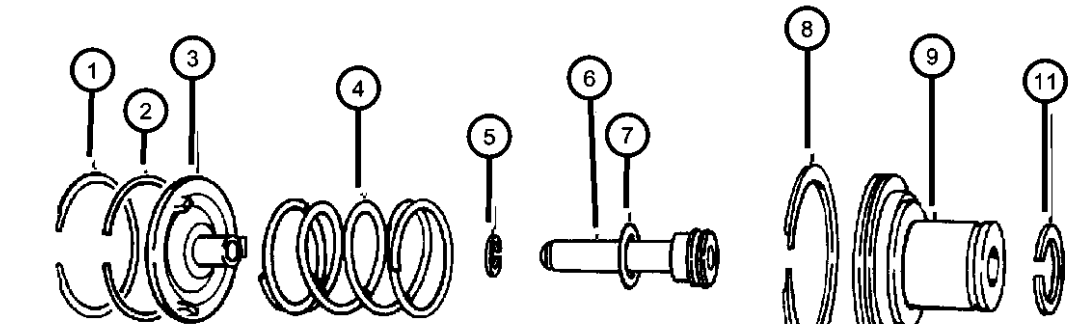
ENGINE
ELF = 5.2L V8 MPI Engine
EML = 5.9L V8 MPI Engine
ERH = 4.0L Power Tech I-6 Engine

TRANSMISSION
DGK = 4-Spd. Automatic 42RE Transmission
DGW = 4-Spd. Automatic 4RE Transmission
DG0 = Transmissions - All Automatic

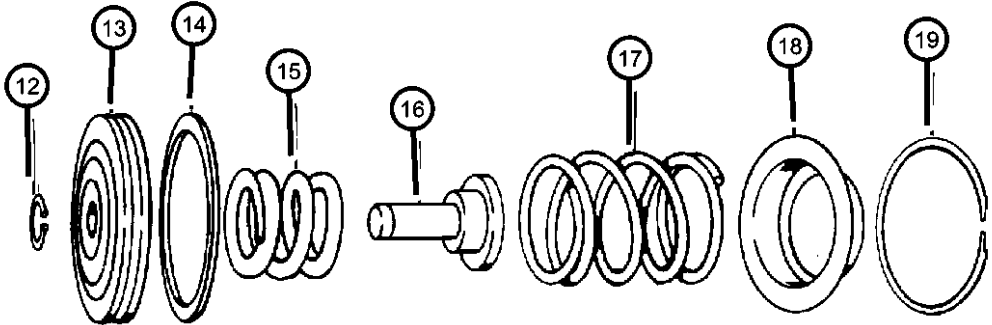
AR = use ase required - = Non illustrated part

1997 ZJ

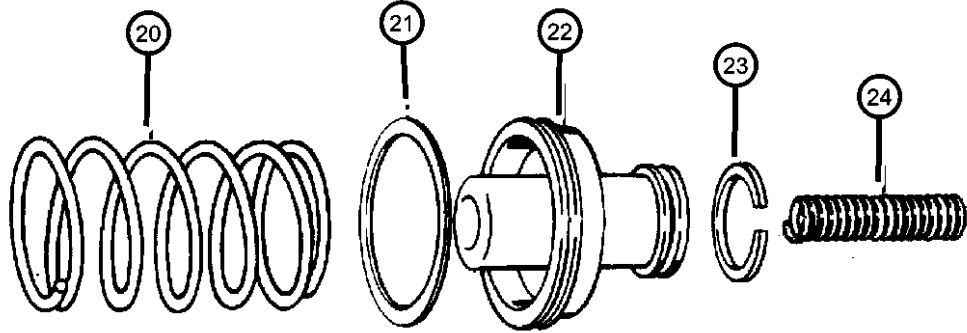
Servos, 44RE (DGW)
Figure 44RE-720



KICKDOWN SERVO



LOW AND REVERSE SERVO



ACCUMULATOR PISTON AND SPRING

| ITEM | PART NUMBER | QTY | LINE | SERIES | BODY | ENGINE | TRANS | TRIM | DESCRIPTION |
|------|-------------|-----|------|--------|------|--------|-------|------|------------------------------------|
| 12 | 06027153 | 1 | T | | | EL0 | DGW | | SNAP RING, .435 ID |
| 13 | 52118744 | 1 | J | | | EL0 | DGW | | Reverse Servo Piston Plug, |
| 14 | 04202864 | 1 | T | | | EL0 | DGW | | Reverse Servo Piston Plug, |
| 15 | 04130824 | 1 | J | | | EL0 | DGW | | PISTON, Reverse Servo |
| 16 | 52118740 | 1 | T | | | EL0 | DGW | | SEAL, Reverse Servo Piston |
| 17 | 02801274 | 1 | J | | | EL0 | DGW | | SPRING, Reverse Servo Piston |
| 18 | 02464463 | 1 | T | | | ER0 | DGK | | PLUG, Reverse Servo Piston |
| 19 | 02464464 | 1 | J | | | ER0 | DGK | | SPRING, Reverse Servo Piston |
| 20 | 04531259 | 1 | T | | | ER0 | DGK | | RETAINER, Transmission Rear Clutch |
| 21 | 03743013 | 1 | J | | | ER0 | DGK | | SNAP RING |
| 22 | 03743650 | 1 | T | | | EL0 | DGW | | SPRING, Transmission Accumulator |
| 23 | | 1 | J | | | EL0 | DGW | | SEAL, Piston Accumulator |
| 24 | | 1 | T | | | EL0 | DGW | | Large |
| | | 1 | J | | | EL0 | DGW | | Large |
| | | 1 | T | | | EL0 | DGW | | PISTON, Accumulator |
| | | 1 | J | | | EL0 | DGW | | Accumulator |
| | | 1 | T | | | EL0 | DGW | | Accumulator |

GRAND CHEROKEE (ZJ)

SERIES LINE
L = LOWLINE T = JEEP - 2WD
J = JEEP - 4WD

BODY
74 = SPORT UTILITY 4-DR

ENGINE
ELF = 5.2L V8 MPI Engine
EML = 5.9L V8 MPI Engine
ERH = 4.0L Power Tech I-6 Engine

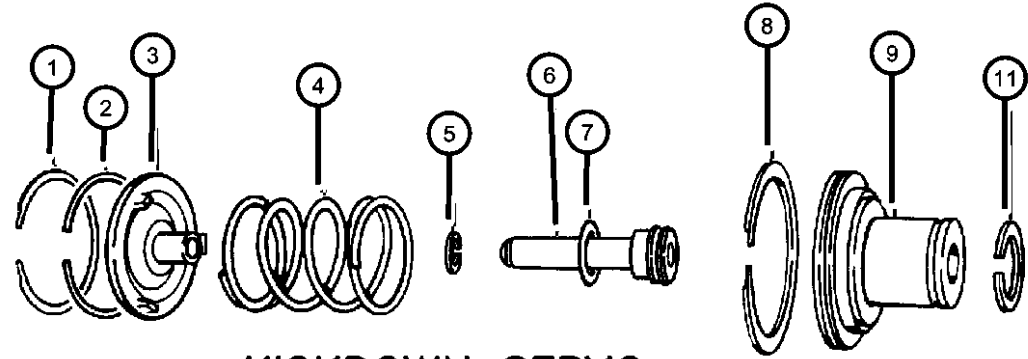
TRANSMISSION
DGK = 4-Spd. Automatic 42RE Transmission
DGW = 4-Spd. Automatic 4RE Transmission
DG0 = Transmissions - All Automatic

AR = use ase required - = Non illustrated part

1997 ZJ

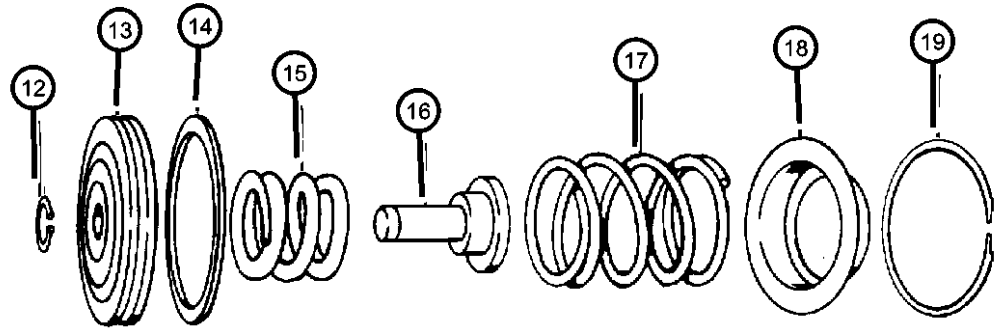
Servos, 44RE (DGW)
Figure 44RE-720

| ITEM | PART NUMBER | QTY | LINE | SERIES | BODY | ENGINE | TRANS | TRIM | DESCRIPTION |
|------|-------------|-----|------|--------|------|--------|-------|------|-------------|
|------|-------------|-----|------|--------|------|--------|-------|------|-------------|

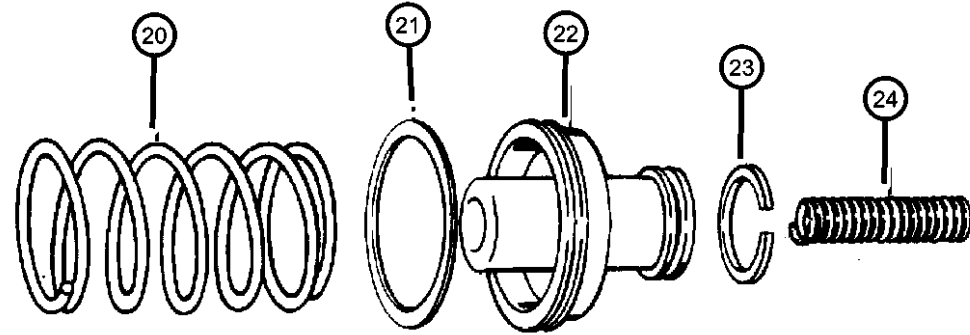


KICKDOWN SERVO

| | | | | | | | | | |
|----|----------|---|---|--|--|-----|-----|--|-----------------------------------|
| 23 | 03743010 | 1 | T | | | ELO | DGW | | SEAL, Piston Accumulator Small |
| | | 1 | J | | | ELO | DGW | | Small |
| 24 | 04617529 | 1 | J | | | ELO | DGW | | SPRING, Accumulator Piston |
| | | 1 | T | | | ELO | DGW | | Upper |



LOW AND REVERSE SERVO



ACCUMULATOR PISTON AND SPRING

GRAND CHEROKEE (ZJ)

SERIES LINE
L = LOWLINE T = JEEP - 2WD
J = JEEP - 4WD

BODY
74 = SPORT UTILITY 4-DR

ENGINE
ELF = 5.2L V8 MPI Engine
EML = 5.9L V8 MPI Engine
ERH = 4.0L Power Tech I-6 Engine

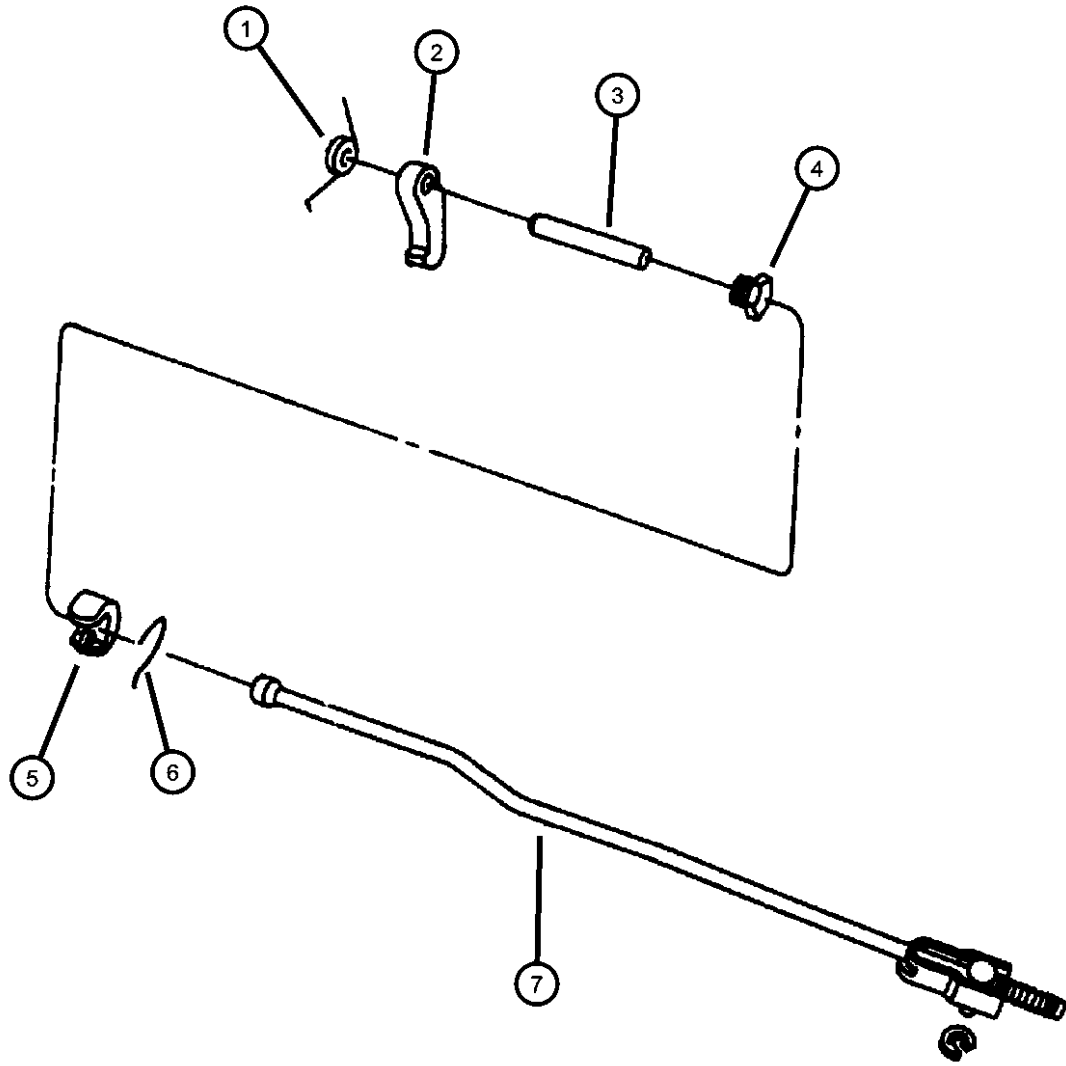
TRANSMISSION
DGK = 4-Spd. Automatic 42RE Transmission
DGW = 4-Spd. Automatic 4RE Transmission
DG0 = Transmissions - All Automatic

AR = use ase required - = Non illustrated part

1997 ZJ

**Parking Sprag 44RE (DGW)
Figure 44RE-730**

| ITEM | PART NUMBER | QTY | LINE | SERIES | BODY | ENGINE | TRANS | TRIM | DESCRIPTION |
|------|-------------|-----|------|--------|------|--------|-------|------|---|
| 1 | 02466909 | 1 | T | | | ELO | DGW | | SPRING, Parking Sprag |
| 2 | 04471415 | 1 | T | | | ELO | DGW | | SPRAG, Transmission Parking, (5/8" Thick) |
| 3 | 02466892 | 1 | T | | | ELO | DGW | | SHAFT, Parking Sprag |
| 4 | 02538042 | 1 | T | | | ELO | DGW | | PLUG, Parking Sprag |
| 5 | 02538034 | 1 | T | | | ELO | DGW | | SNAP RING, Transmission, Reaction Plug |
| 6 | | | | | | | | | ROD, Parking Sprag |
| | 04431748 | 1 | T | | | ELO | DGW | | |
| | | 1 | J | | | ELO | DGW | | |
| 7 | | | | | | | | | SNAP RING, Rod |
| | 06035256 | 1 | T | | | ELO | DGW | | |
| | | 1 | J | | | ELO | DGW | | |



GRAND CHEROKEE (ZJ)

SERIES LINE
 L = LOWLINE T = JEEP - 2WD
 J = JEEP - 4WD

BODY
 74 = SPORT UTILITY 4-DR

ENGINE
 ELF = 5.2L V8 MPI Engine
 EML = 5.9L V8 MPI Engine
 ERH = 4.0L Power Tech I-6 Engine

TRANSMISSION
 DGK = 4-Spd. Automatic 42RE Transmission
 DGW = 4-Spd. Automatic 4RE Transmission
 DG0 = Transmissions - All Automatic

AR = use ase required - = Non illustrated part

1997 ZJ

Clutch, 44RE (DGW)
Figure 44RE-1010

| ITEM | PART NUMBER | QTY | LINE | SERIES | BODY | ENGINE | TRANS | TRIM | DESCRIPTION |
|------|-------------|-----|------|--------|------|--------|-------|------|---|
| 1 | 04740774 | 1 | T | | | ELO | DGW | | PLATE PACKAGE, Transmission Module, w/Bearing, Direct Clutch Spring, Thrust *** |
| 2 | 04740774 | 1 | | | | | | | BEARING, Overdrive, (NOT SERVICED) |
| 3 | 04778742 | 1 | T | | | ELO | DGW | | GEAR, Overdrive Sun |
| 4 | 04778742 | 1 | | | | | | | BUSHING, (NOT SERVICED) |
| 5 | 04798520 | 1 | T | | | ELO | DGW | | CARRIER, O/Drive Planet Pinion, (4 Pinion) |
| 6 | 04461124 | 1 | T | | | ELO | DGW | | RACE, Overrunning Clutch |
| 7 | 04461014 | 1 | T | | | ELO | DGW | | THRUST BEARING, Ovedrive Third Position |
| 8 | 04461015 | 1 | T | | | ELO | DGW | | CLUTCH, Overdrive Overrunning |
| 9 | 04761010 | 1 | T | | | ELO | DGW | | GEAR, Overdrive Annulus |
| 10 | 04461059 | 1 | T | | | ELO | DGW | | SNAP RING, 5.25 OD, O/Drive Annulus Gear |
| 11 | | | | | | | | | SNAP RING, 6.00 OD |
| | 04461060 | 2 | T | | | ER0 | DGK | | Direct Clutch Drum to Annulus, 6" O.D. |
| | | 2 | J | | | EM0 | | | Direct Clutch Drum to Annulus, 6" O.D. |
| | | 2 | J | | | ELO | DGW | | Direct Clutch Drum to Annulus, 6" O.D. |
| 12 | 04461089 | 1 | T | | | ELO | DGW | | DRUM, Automatic Transmission, Direct Clutch |
| 13 | 04461063 | 1 | T | | | ELO | DGW | | SNAP RING, 2.1875 OD, Direct Clutch Spring Plate |
| 14 | 04461027 | 1 | T | | | ELO | DGW | | SPRING, Direct Clutch |
| 15 | 04461072 | 1 | T | | | ELO | DGW | | HUB, Direct Clutch |
| 16 | | | | | | | | | THRUST BEARING, Overdrive |
| | 04446724 | 1 | T | | | ELO | DGW | | |
| | | 1 | J | | | ELO | DGW | | |
| 17 | 04461030 | 1 | T | | | ELO | DGW | | PLATE, Transmission Clutch Reaction |
| 18 | 04461042 | 1 | T | | | ELO | DGW | | DISC, Direct Clutch |
| 19 | 04461054 | 7 | J | | | ELO | | | PLATE, Transmission Clutch Reaction, Direct Clutch |
| 20 | 04461031 | 1 | T | | | ELO | DGW | | PLATE, Transmission Clutch Reaction |
| 21 | 04461032 | 1 | T | | | ELO | DGW | | SPRING, Direct Clutch, Wave |
| 22 | 04461064 | 1 | T | | | ELO | DGW | | SNAP RING, 1.875" OD |
| 23 | | | | | | | | | FILTER, Overdrive Clutch |

GRAND CHEROKEE (ZJ)

SERIES LINE
L = LOWLINE T = JEEP - 2WD
J = JEEP - 4WD

BODY
74 = SPORT UTILITY 4-DR

ENGINE
ELF = 5.2L V8 MPI Engine
EML = 5.9L V8 MPI Engine
ERH = 4.0L Power Tech I-6 Engine

TRANSMISSION
DGK = 4-Spd. Automatic 42RE Transmission
DGW = 4-Spd. Automatic 4RE Transmission
DG0 = Transmissions - All Automatic

AR = use ase required - = Non illustrated part

1997 ZJ

Clutch, 44RE (DGW)
Figure 44RE-1010

| ITEM | PART NUMBER | QTY | LINE | SERIES | BODY | ENGINE | TRANS | TRIM | DESCRIPTION |
|------|-------------|-----|------|--------|------|--------|-------|------|--|
| | 04412583 | 1 | T | | | ELO | DGW | | Piston Retainer |
| | | 1 | J | | | ELO | DGW | | Piston Retainer |
| 24 | | | | | | | | | RETAINER, Transmission Overdrive Clutch Piston |
| | 04617246 | 1 | T | | | ELO | DGW | | |
| | | 1 | J | | | ELO | DGW | | |
| 25 | | | | | | | | | PISTON, Overdrive Clutch |
| | 52118599 | 1 | J | | | EM0 | DGW | | |
| | | 1 | T | | | ELO | DGW | | |
| | | 1 | J | | | ELO | DGW | | |
| 26 | | | | | | | | | BOLT, Hex Head, .25-28x1-5/8 |
| | 06033479 | 6 | T | | | ELO | DGW | | |
| | | 6 | J | | | ELO | DGW | | |
| 27 | | | | | | | | | SEAL, Overdrive Clutch Piston |
| | 04431697 | 1 | T | | | ELO | DGW | | Inner |
| | | 1 | J | | | ELO | DGW | | Inner |
| 28 | | | | | | | | | SEAL, Overdrive Clutch Piston |
| | 04431696 | 1 | T | | | ELO | DGW | | Outer |
| | | 1 | J | | | ELO | DGW | | Outer |
| 29 | | | | | | | | | PLATE, Transmission O/Drive Clutch |
| | 04431585 | 1 | J | | | ER0 | DGK | | .123' - .125' |
| | | 1 | T | | | ER0 | DGK | | .123' - .125' |
| | 04431586 | 1 | J | | | ER0 | DGK | | .153' - .155' |
| | | 1 | T | | | ER0 | DGK | | .153' - .155' |
| | 04431587 | 1 | J | | | ER0 | DGK | | .183' - .185' |
| | | 1 | T | | | ER0 | DGK | | .183' - .185' |
| | 04431588 | 1 | J | | | ER0 | DGK | | .213' - .215' |
| | | 1 | T | | | ER0 | DGK | | .213' - .215' |
| | 04431590 | 1 | J | | | ER0 | DGK | | .243' - .245' |
| | | 1 | T | | | ER0 | DGK | | .243' - .245' |
| | 04431731 | 1 | J | | | ER0 | DGK | | .138' - .140' |
| | | 1 | T | | | ER0 | DGK | | .138' - .140' |
| | 04431732 | 1 | J | | | ER0 | DGK | | .168' - .170' |
| | | 1 | T | | | ER0 | DGK | | .168' - .170' |

GRAND CHEROKEE (ZJ)

SERIES LINE
L = LOWLINE T = JEEP - 2WD
J = JEEP - 4WD

BODY
74 = SPORT UTILITY 4-DR

ENGINE
ELF = 5.2L V8 MPI Engine
EML = 5.9L V8 MPI Engine
ERH = 4.0L Power Tech I-6 Engine

TRANSMISSION
DGK = 4-Spd. Automatic 42RE Transmission
DGW = 4-Spd. Automatic 4RE Transmission
DG0 = Transmissions - All Automatic

AR = use ase required - = Non illustrated part

1997 ZJ

Clutch, 44RE (DGW)
Figure 44RE-1010

| ITEM | PART NUMBER | QTY | LINE | SERIES | BODY | ENGINE | TRANS | TRIM | DESCRIPTION |
|------|-------------|-----|------|--------|------|--------|-------|------|--|
| | 04431733 | 1 | J | | | ER0 | DGK | | .198' - .200' |
| | 04431734 | 1 | T | | | ER0 | DGK | | .198' - .200' |
| | 04431734 | 1 | J | | | ER0 | DGK | | .228' - .230' |
| | 04431735 | 1 | T | | | ER0 | DGK | | .228' - .230' |
| | 04431735 | 1 | J | | | ER0 | DGK | | .258' - .260' |
| | 04431735 | 1 | T | | | ER0 | DGK | | .258' - .260' |
| 30 | | | | | | | | | SPACER, Intermediate Shaft, 1.58mm |
| | 04431916 | 1 | J | | | ER0 | DGK | | .158 |
| | 04431916 | 1 | T | | | ER0 | DGK | | .158 |
| -31 | | | | | | | | | SPACER, Intermediate Shaft, .175 |
| | 04431917 | 1 | J | | | ER0 | DGK | | .175' Thick |
| | 04431917 | 1 | T | | | ER0 | DGK | | .175' Thick |
| -32 | | | | | | | | | SPACER, Intermediate Shaft, .193 |
| | 04431918 | 1 | J | | | ER0 | DGK | | .193' Thick |
| | 04431918 | 1 | T | | | ER0 | DGK | | .193' Thick |
| -33 | | | | | | | | | SPACER, Intermediate Shaft, .211 |
| | 04431919 | 1 | J | | | ER0 | DGK | | .211' Thick |
| | 04431919 | 1 | T | | | ER0 | DGK | | .211' Thick |
| 34 | 04461082 | 1 | T | | | EL0 | DGW | | SNAP RING, Overdrive Clutch, Round 7" O.D. |
| 35 | | | | | | | | | PLATE, Transmission Clutch Reaction |
| | 04461048 | 1 | T | | | ER0 | DGK | | |
| | 04461048 | 1 | J | | | ER0 | DGK | | |
| 36 | | | | | | | | | PLATE, Transmission Clutch Reaction |
| | 04461047 | 1 | T | | | EL0 | DGW | | |
| | 04461047 | 2 | T | | | ER0 | DGK | | |
| 37 | | | | | | | | | DISC, Direct Clutch |
| | 04461181 | 4 | T | | | ER0 | DGK | | |
| | 04461181 | 3 | J | | | ER0 | DGK | | |
| 38 | | | | | | | | | PLATE, Transmission Clutch Reaction |
| | 04461033 | 1 | T | | | ER0 | DGK | | |
| | 04461033 | 1 | J | | | ER0 | DGK | | |
| 39 | | | | | | | | | SPRING, Overdrive Clutch |

GRAND CHEROKEE (ZJ)

SERIES LINE
L = LOWLINE T = JEEP - 2WD
J = JEEP - 4WD

BODY
74 = SPORT UTILITY 4-DR

ENGINE
ELF = 5.2L V8 MPI Engine
EML = 5.9L V8 MPI Engine
ERH = 4.0L Power Tech I-6 Engine

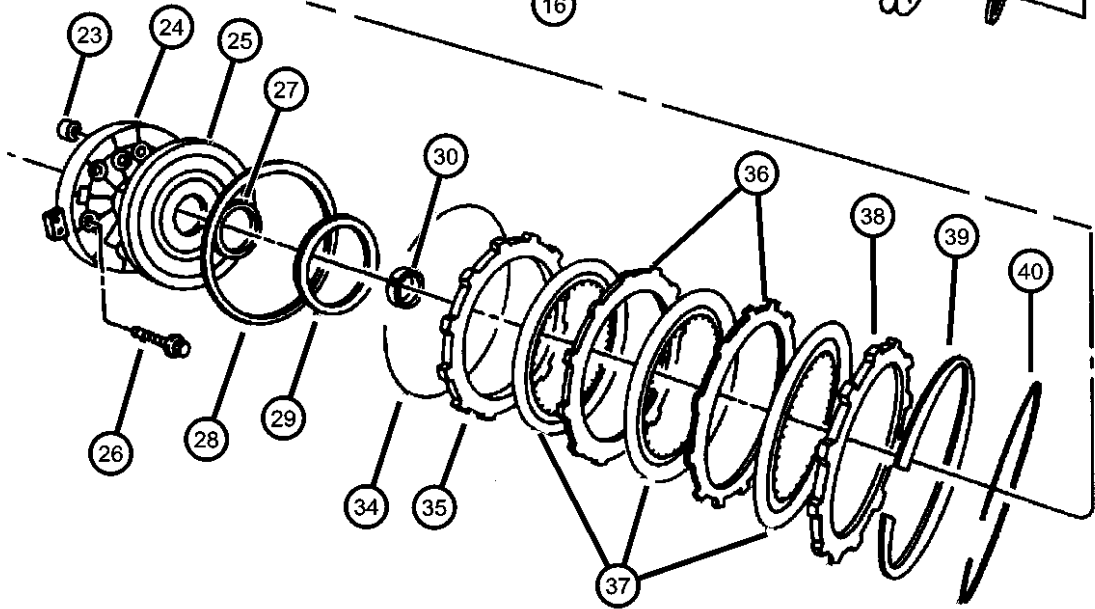
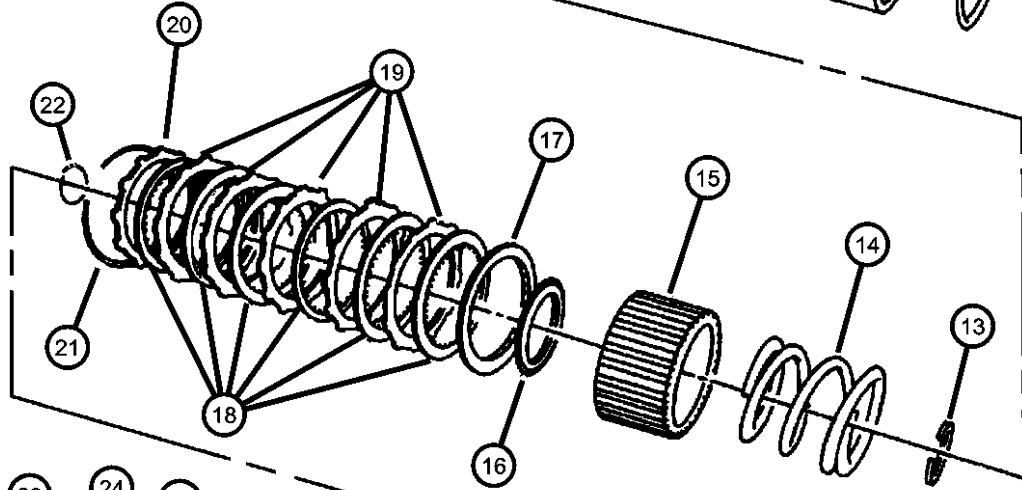
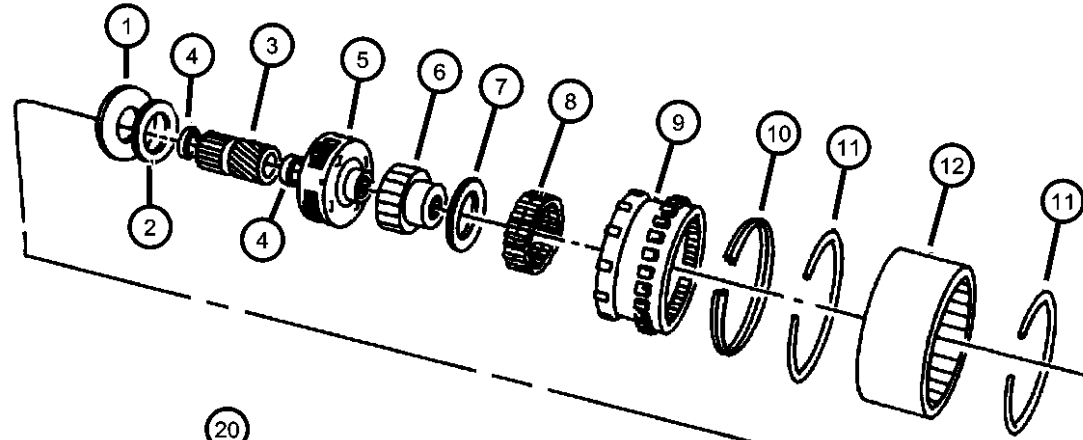
TRANSMISSION
DGK = 4-Spd. Automatic 42RE Transmission
DGW = 4-Spd. Automatic 4RE Transmission
DG0 = Transmissions - All Automatic

AR = use ase required - = Non illustrated part

1997 ZJ

Clutch, 44RE (DGW)
Figure 44RE-1010

| ITEM | PART NUMBER | QTY | LINE | SERIES | BODY | ENGINE | TRANS | TRIM | DESCRIPTION |
|------|-------------|-----|------|--------|------|--------|-------|------|--------------------|
| | 04461066 | 1 | T | | | ER0 | DGK | | |
| | | 1 | J | | | ER0 | DGK | | |
| 40 | 04461065 | 1 | T | | | ER0 | DGK | | SNAP RING, 6.50 OD |
| | | 1 | J | | | ER0 | DGK | | |



GRAND CHEROKEE (ZJ)

SERIES LINE
L = LOWLINE T = JEEP - 2WD
J = JEEP - 4WD

BODY
74 = SPORT UTILITY 4-DR

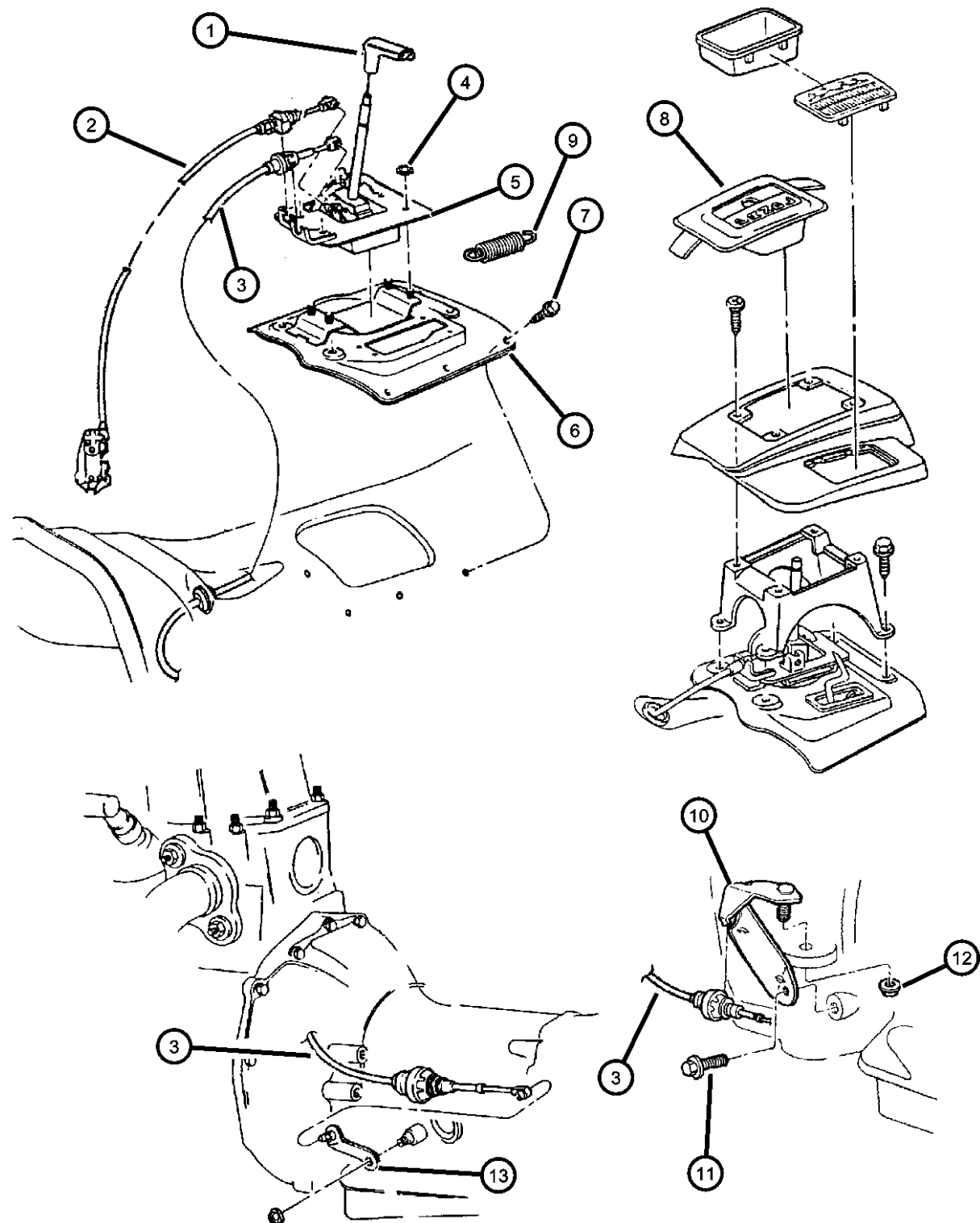
ENGINE
ELF = 5.2L V8 MPI Engine
EML = 5.9L V8 MPI Engine
ERH = 4.0L Power Tech I-6 Engine

TRANSMISSION
DGK = 4-Spd. Automatic 42RE Transmission
DGW = 4-Spd. Automatic 4RE Transmission
DG0 = Transmissions - All Automatic

AR = use ase required - = Non illustrated part

1997 ZJ

Controls, 44RE (DGW)
Figure 44RE-1210



| ITEM | PART NUMBER | QTY | LINE | SERIES | BODY | ENGINE | TRANS | TRIM | DESCRIPTION |
|------|-------------|-----|------|--------|------|---------------|----------|------|--|
| 1 | 53007750 | 1 | | | | ELO, ERO | DG0 | | HANDLE, Gearshift, Trans. Gearshift |
| 2 | 52078961 | 1 | | | | | DG0 | | CABLE, Park Interlock |
| 3 | 52104095 | 1 | | | | | DG0 | | CABLE, Gearshift Control |
| 4 | 06101695 | 4 | | | | | DG0 | | NUT, Hex Flange Lock, M8x1.25, Shifter Hsg. Mounting |
| 5 | 52104067 | 1 | | | | | DG0 | | HOUSING AND LEVER, Shifter |
| 6 | 55295725 | 1 | J | | | | DG0 | | COVER, Gearshift |
| 7 | 52078723 | 1 | | | | ELO, EM0, ERO | DGK, DGW | | LEVER, Throttle Valve |
| 8 | 55116071 | 1 | | | | | DG0 | | BEZEL, Floor Console |
| 9 | 53003350 | 1 | | | | | DG0 | | SPRING, Pawl Return, Pawl Return |
| 10 | 52078255 | 1 | | | | | DG0 | | BRACKET, Shift Cable, Shift Cable Mounting |
| 11 | 53009055 | 1 | | | | | DG0 | | SPRING, Throttle Valve Return |
| 12 | 52078867 | 1 | | | | ELO, EM0, ERO | DGK, DGW | | BRACKET, Cable |
| 13 | | | | | | | | | SCREW AND WASHER, .375-16x1.00 |
| | 00181112 | 1 | | | | | DGK, DGW | | |

GRAND CHEROKEE (ZJ)

SERIES LINE
L = LOWLINE T = JEEP - 2WD
J = JEEP - 4WD

BODY
74 = SPORT UTILITY 4-DR

ENGINE
ELF = 5.2L V8 MPI Engine
EML = 5.9L V8 MPI Engine
ERH = 4.0L Power Tech I-6 Engine

TRANSMISSION
DGK = 4-Spd. Automatic 42RE Transmission
DGW = 4-Spd. Automatic 4RE Transmission
DG0 = Transmissions - All Automatic

AR = use ase required - = Non illustrated part

1997 ZJ

Group - 242

Transfer Case Model 242 [DHC, DHP]

Group - 242 Transfer Case Model 242 [DHC, DHP]

Illustration Title

Group-Fig. No.

Transfer Case Assembly

Transfer Case Select Trac (DHP) Fig. 242 - 110

Case and Related Parts

Case, Extension And Miscellaneous Parts Select Trac [DHP]..... Fig. 242 - 210

Gear Train

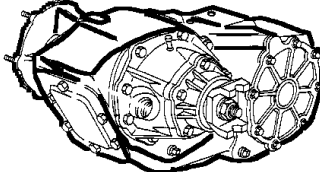

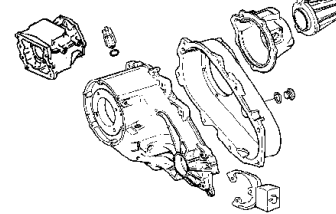
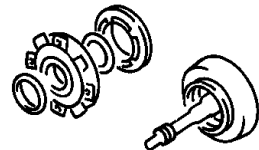
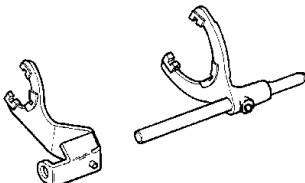
Gear Train Select Trac [DHP] Fig. 242 - 410

Fork and Rails

Forks, Rails - Shifting Select Trac [DHP]..... Fig. 242 - 910

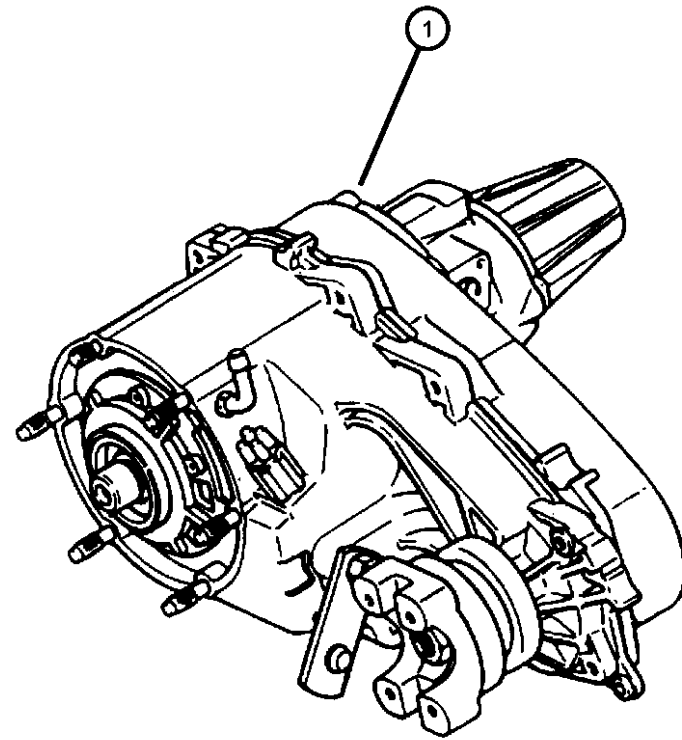
Gearshift Controls

Conrols, Shift Select Trac [DHP] Fig. 242 - 1210

| | | | |
|---|---|---|---|
| <p>242-100 Transfer Case Assembly</p>  | <p>242-1200 Gearshift Controls</p>  | <p>242-200 Case and Related Parts</p>  | <p>242-400 Gear Train</p>  <p>Front Rear</p> |
| <p>242-900 Fork and Rails</p>  | | | |

**Transfer Case Select Trac (DHP)
Figure 242-110**

| ITEM | PART NUMBER | QTY | LINE | SERIES | BODY | ENGINE | TRANS | TRIM | DESCRIPTION |
|------|-------------|-----|------|--------|------|--------|-------|------|--|
| 1 | 52098917 | 1 | J | | | ER0 | DG0 | | TRANSFER CASE, NP242, With Stamp # 52098917 & SALES CODES [ERO + DG0 + DHP] Mopar Remanufactured Part |
| | R2098917 | | | | | | | | |



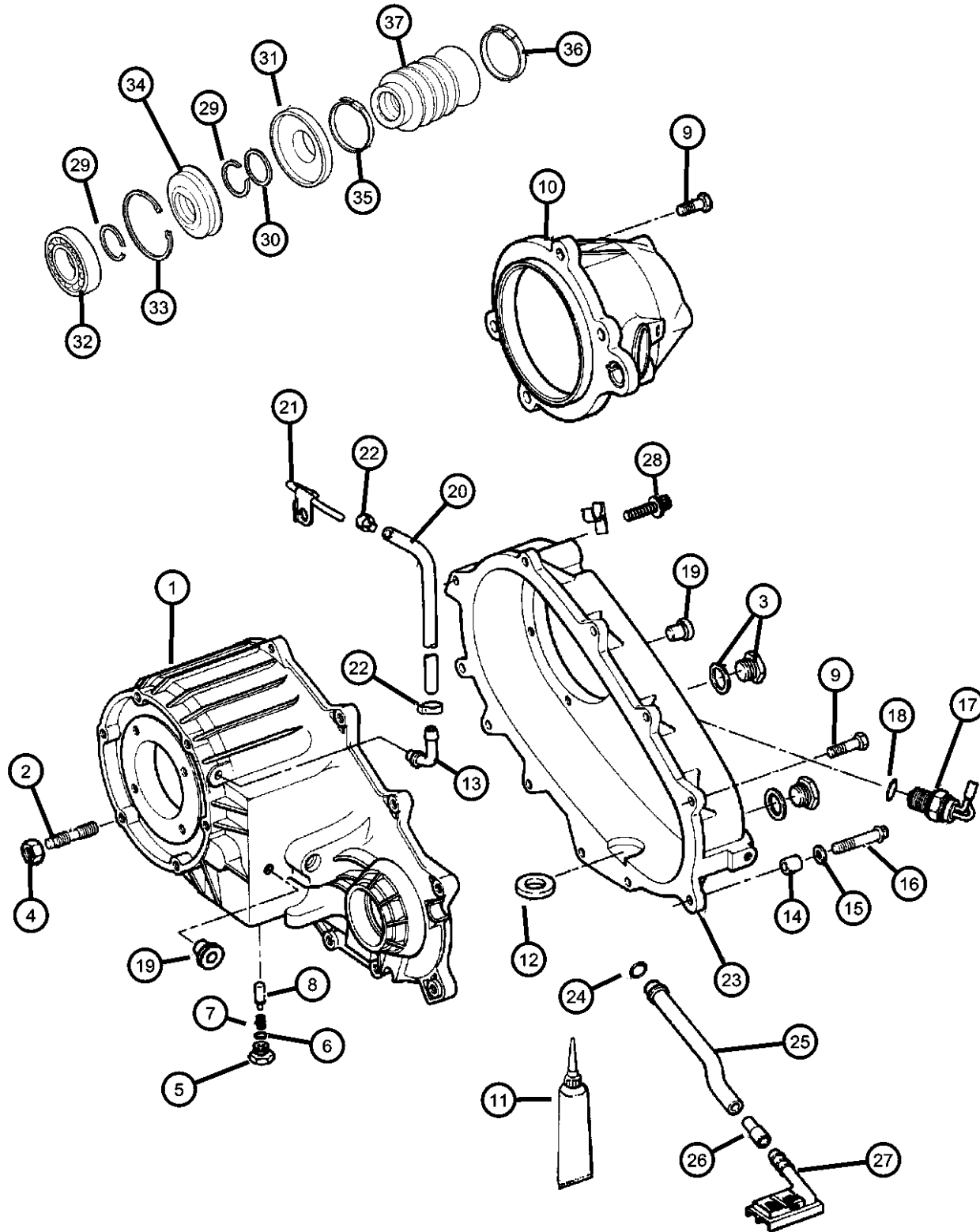
GRAND CHEROKEE (ZJ)

| | | | | |
|-------------|----------------------------------|-------------------------|--|--|
| SERIES | LINE | BODY | ENGINE | TRANSMISSION |
| L = LOWLINE | T = JEEP - 2WD J = JEEP - 4WD | 74 = SPORT UTILITY 4-DR | ELF = 5.2L V8 MPI Engine EML = 5.9L V8 MPI Engine ERH = 4.0L Power Tech I-6 Engine | DGK = 4-Spd. Automatic 42RE Transmission DGW = 4-Spd. Automatic 4RE Transmission DG0 = Transmissions - All Automatic |

AR = use ase required - = Non illustrated part

1997 ZJ

Case, Extension And Miscellaneous Parts Select Trac [DHP]
Figure 242-210



| ITEM | PART NUMBER | QTY | LINE | SERIES | BODY | ENGINE | TRANS | TRIM | DESCRIPTION |
|------|-------------|-----|------|--------|------|--------|-------|------|--|
| 1 | 04856389 | 1 | J | | | ER0 | DG0 | | CASE, Transfer Front |
| 2 | 04505365 | 6 | J | | | ER0 | DG0 | | STUD |
| 3 | 04856641 | 2 | J | | | ER0 | DG0 | | PLUG, Oil Fill |
| 4 | J4006681 | 6 | J | | | | | | NUT AND CONED WASHER, Hex, .375-24 |
| 5 | 04886473AA | 1 | J | | | ER0 | DG0 | | SCREW |
| 6 | 04167963 | 1 | J | | | ER0 | DG0 | | SEAL, O-Ring |
| 7 | 04638497 | 1 | J | | | ER0 | DG0 | | SPRING, Shift Detent |
| 8 | 53008217 | 1 | J | | | ER0 | DG0 | | PLUNGER |
| 9 | 04210617 | 12 | J | | | ER0 | DG0 | | BOLT, Transfer Case |
| 10 | 04856391 | 1 | J | | | ER0 | DG0 | | RETAINER, Transfer Case Rear |
| 11 | 04318025 | 1 | J | | | ER0 | DG0 | | SEALANT, RTV |
| 12 | 03681601 | 1 | J | | | ER0 | DG0 | | MAGNET, Transmission |
| 13 | 04796910 | 1 | J | | | ER0 | DG0 | | VENT, Transfer Case |
| 14 | 04116310 | 2 | J | | | ER0 | DG0 | | DOWEL, Transfer Case |
| 15 | 04210983 | 2 | J | | | ER0 | DG0 | | WASHER, Flat |
| 16 | 04210614 | 2 | J | | | ER0 | DG0 | | BOLT, Hex Flange Head |
| 17 | 56006755 | 1 | J | | | ER0 | DG0 | | SWITCH, Transfer Case Mode, Transfer Case Indicator |
| 18 | 04338956 | 2 | J | | | ER0 | DG0 | | SEAL, Vacuum Switch |
| 19 | 00015105 | 1 | J | | | ER0 | DG0 | | PLUG, Transmission Case |
| 20 | 04443176 | 1 | J | | | | | | HOSE, Fuel, .31 I.D. 50 Foot Roll |
| 21 | 04796910 | 1 | J | | | ER0 | DG0 | | VENT, Transfer Case |
| 22 | 06502081 | 2 | J | | | | | | CLAMP, Oil Cooler Line |
| 23 | 04886373AA | 1 | J | | | ER0 | DG0 | | CASE, Transfer Case Rear, With Stamp # (52098917, Rear Seal, Oil |
| 24 | 04338942 | 1 | J | | | ER0 | DG0 | | TUBE, Oil Pickup |
| 25 | 83503523 | 1 | J | | | ER0 | DG0 | | CONNECTOR, Oil Tube Pickup |
| 26 | 04338944 | 1 | J | | | ER0 | DG0 | | FILTER, Transfer Case Oil |
| 27 | 04338943 | 1 | J | | | ER0 | DG0 | | BOLT, Twelve Point Head, M10x1.5x48 |
| 28 | J8130979 | 1 | J | | | ER0 | DG0 | | SNAP RING Bearing, Retainer |
| 29 | J8134488 | 2 | J | | | ER0 | DG0 | | WASHER |
| 30 | 04798118 | 1 | J | | | ER0 | DG0 | | SLINGER, Oil |
| 31 | 04798119 | 1 | J | | | ER0 | DG0 | | BEARING |
| 32 | 04338892 | 1 | J | | | ER0 | DG0 | | SNAP RING |
| 33 | 04798116 | 1 | J | | | ER0 | DG0 | | |

GRAND CHEROKEE (ZJ)

SERIES LINE
L = LOWLINE T = JEEP - 2WD
J = JEEP - 4WD

BODY
74 = SPORT UTILITY 4-DR

ENGINE
ELF = 5.2L V8 MPI Engine
EML = 5.9L V8 MPI Engine
ERH = 4.0L Power Tech I-6 Engine

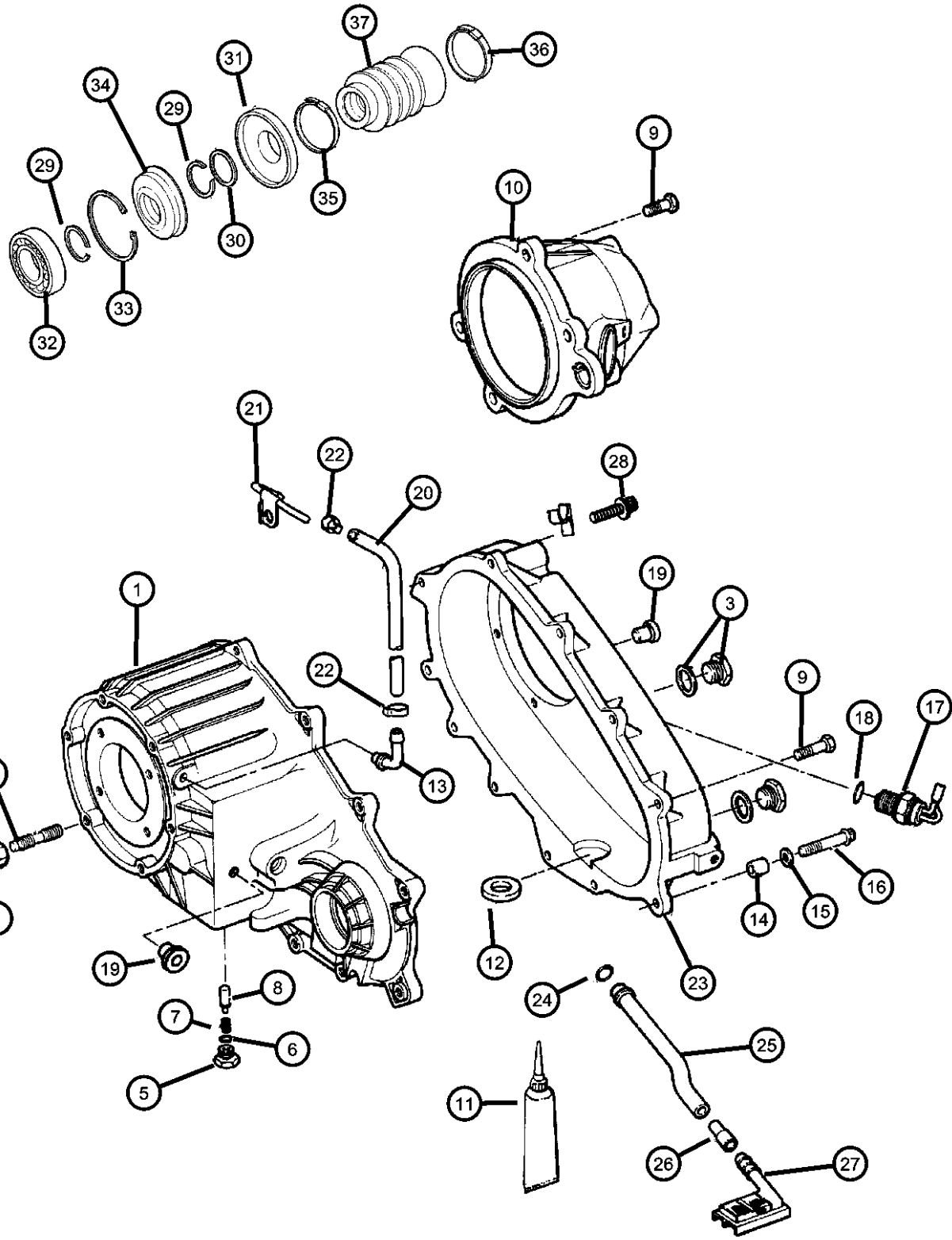
TRANSMISSION
DGK = 4-Spd. Automatic 42RE Transmission
DGW = 4-Spd. Automatic 4RE Transmission
DG0 = Transmissions - All Automatic

AR = use ase required - = Non illustrated part

1997 ZJ

Case, Extension And Miscellaneous Parts Select Trac [DHP]
Figure 242-210

| ITEM | PART NUMBER | QTY | LINE | SERIES | BODY | ENGINE | TRANS | TRIM | DESCRIPTION |
|------|-------------|-----|------|--------|------|--------|-------|------|-------------|
|------|-------------|-----|------|--------|------|--------|-------|------|-------------|



| | | | | | | | | | |
|----|----------|---|---|--|--|-----|-----|--|--------------------|
| 34 | 04798117 | 1 | J | | | ER0 | DG0 | | SEAL, Output Shaft |
| 35 | 04798121 | 1 | J | | | ER0 | DG0 | | CLAMP, Boot |
| 36 | 04798122 | 1 | J | | | ER0 | DG0 | | CLAMP, Boot |
| 37 | 04798123 | 1 | J | | | ER0 | DG0 | | BOOT, Driveshaft |

GRAND CHEROKEE (ZJ)

SERIES LINE
L = LOWLINE T = JEEP - 2WD
 J = JEEP - 4WD

BODY
74 = SPORT UTILITY 4-DR

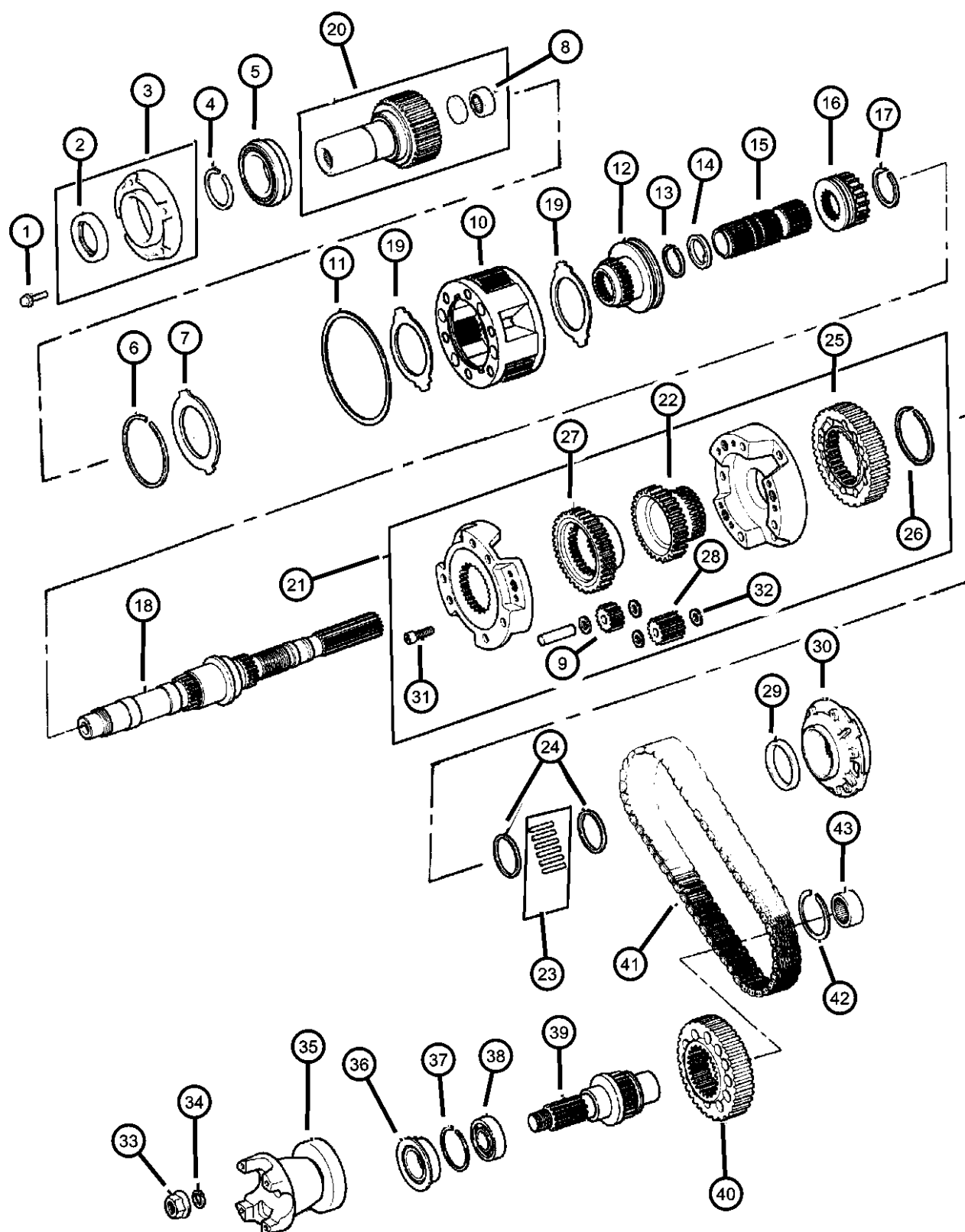
ENGINE
ELF = 5.2L V8 MPI Engine
EML = 5.9L V8 MPI Engine
ERH = 4.0L Power Tech I-6 Engine

TRANSMISSION
DGK = 4-Spd. Automatic 42RE Transmission
DGW = 4-Spd. Automatic 4RE Transmission
DG0 = Transmissions - All Automatic

AR = use ase required - = Non illustrated part

1997 ZJ

**Gear Train Select Trac [DHP]
Figure 242-410**



| ITEM | PART NUMBER | QTY | LINE | SERIES | BODY | ENGINE | TRANS | TRIM | DESCRIPTION |
|------|-------------|-----|------|--------|------|--------|-------|------|--|
| 1 | 06500318 | 4 | J | | | ER0 | DG0 | | BOLT |
| 2 | 04167929 | 1 | J | | | ER0 | DG0 | | SEAL, Input Gear |
| 3 | 04338973 | 1 | J | | | ER0 | DG0 | | EXTENSION, Transfer Case |
| 4 | 03821558 | 1 | J | | | ER0 | DG0 | | SNAP RING |
| 5 | 04746155 | 1 | J | | | ER0 | DG0 | | BEARING, Input Gear |
| 6 | 04338910 | 1 | J | | | ER0 | DG0 | | SNAP RING |
| 7 | 04338909 | 1 | J | | | ER0 | DG0 | | RING |
| 8 | 83503507 | 1 | J | | | ER0 | DG0 | | BEARING, Input Shaft |
| 9 | 83504170 | 3 | J | | | ER0 | DG0 | | GEAR, Planetary, Narrow (Also serviced in item#21) |
| 10 | 04796903 | 1 | J | | | ER0 | DG0 | | PLANETARY, Transfer Case |
| 11 | 04219065 | 1 | J | | | ER0 | DG0 | | SNAP RING, Annulus Gear |
| 12 | 04798279 | 1 | J | | | ER0 | DG0 | | SLEEVE, Shift Range |
| 13 | 83503540 | 1 | J | | | ER0 | DG0 | | SNAP RING |
| 14 | 83503539 | 1 | J | | | ER0 | DG0 | | WASHER, Intermediate Sleeve |
| 15 | 04798277 | 1 | J | | | ER0 | DG0 | | SHAFT, Intermediate |
| 16 | 83503542 | 1 | J | | | ER0 | DG0 | | SLEEVE, Mode Synchronizer |
| 17 | 83503537 | 1 | J | | | ER0 | DG0 | | SNAP RING |
| 18 | 04798145 | 1 | J | | | ER0 | DG0 | | MAINSHAFT, Transfer Case |
| 19 | 04338908 | 2 | J | | | ER0 | DG0 | | THRUST WASHER, Planetary Carrier |
| 20 | 04798126 | 1 | J | | | ER0 | DG0 | | GEAR, Input |
| 21 | 83503529 | 1 | J | | | ER0 | DG0 | | CARRIER, Differential |
| 22 | 83503530 | 1 | J | | | ER0 | DG0 | | GEAR, Differential Drive |
| 23 | 83503543 | 1 | J | | | ER0 | DG0 | | BEARING PACKAGE, Transfer Case |
| 24 | 83503533 | 2 | J | | | ER0 | DG0 | | SPACER, Sprocket |
| 25 | 83503531 | 1 | J | | | ER0 | DG0 | | SPROCKET, Transfer Case |
| 26 | 83503532 | 1 | J | | | ER0 | DG0 | | SNAP RING, Retaining |
| 27 | 83503536 | 1 | J | | | ER0 | DG0 | | SPROCKET, Differential |
| 28 | 83504169 | 3 | J | | | ER0 | DG0 | | GEAR, Planetary, Wide |
| 29 | 04210603 | 1 | J | | | ER0 | DG0 | | SEAL, Main Shaft |
| 30 | 04338936 | 1 | J | | | ER0 | DG0 | | PUMP, Transfer Case Oil |
| 31 | 03820898 | 3 | J | | | ER0 | DG0 | | SCREW, Also serviced in item# 21 |
| 32 | 83504168 | 12 | J | | | ER0 | DG0 | | WASHER, Differential Gear, Also serviced in item# 21 |
| 33 | 04167924 | 1 | J | | | ER0 | DG0 | | NUT, Transfer Case Yoke |

GRAND CHEROKEE (ZJ)

SERIES LINE
 L = LOWLINE T = JEEP - 2WD
 J = JEEP - 4WD

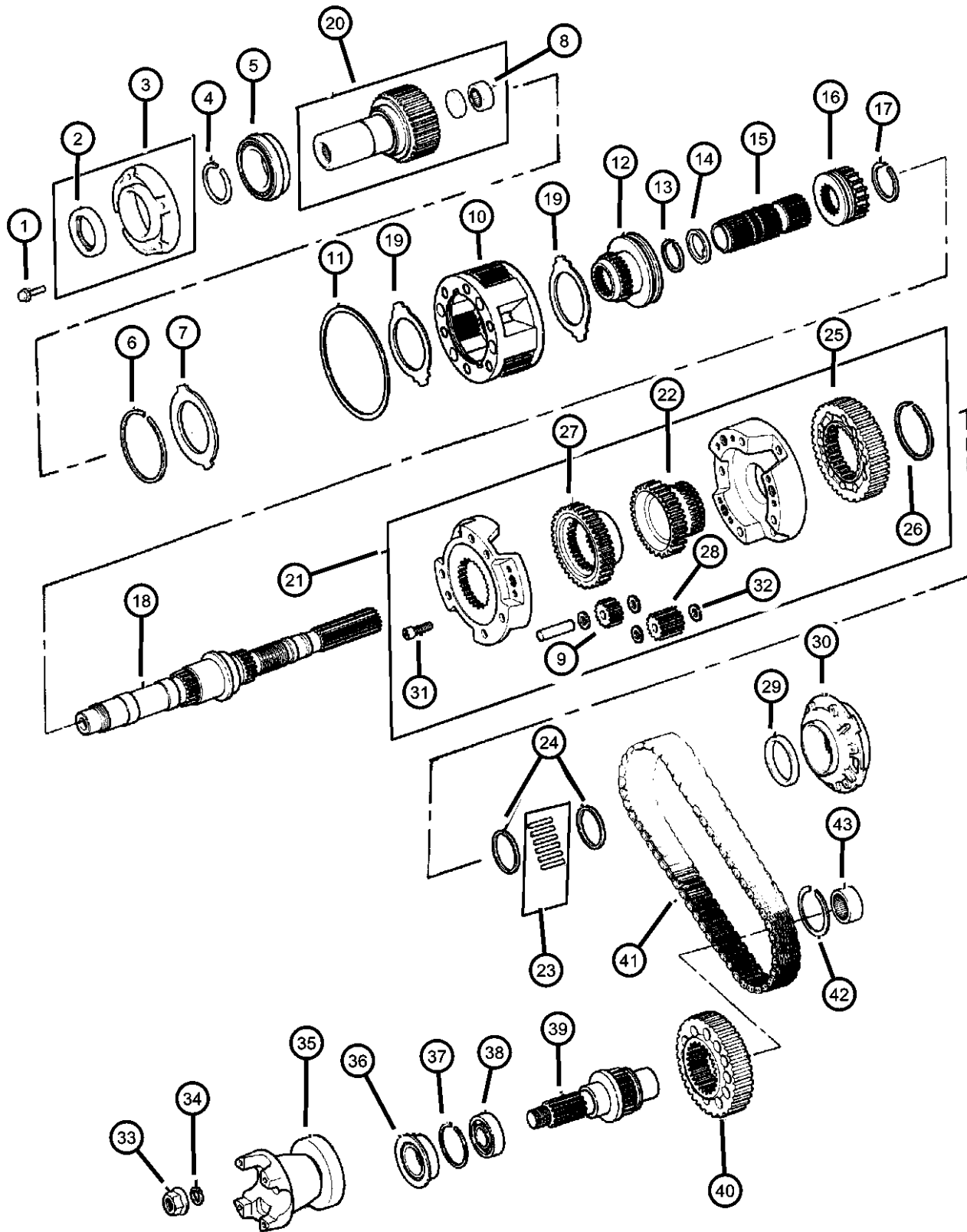
BODY
 74 = SPORT UTILITY 4-DR

ENGINE
 ELF = 5.2L V8 MPI Engine
 EML = 5.9L V8 MPI Engine
 ERH = 4.0L Power Tech I-6 Engine

TRANSMISSION
 DGK = 4-Spd. Automatic 42RE Transmission
 DGW = 4-Spd. Automatic 4RE Transmission
 DG0 = Transmissions - All Automatic

AR = use ase required - = Non illustrated part

**Gear Train Select Trac [DHP]
Figure 242-410**



| ITEM | PART NUMBER | QTY | LINE | SERIES | BODY | ENGINE | TRANS | TRIM | DESCRIPTION |
|------|-------------|-----|------|--------|------|--------|-------|------|--|
| 34 | 04210973 | 1 | J | | | ER0 | DG0 | | WASHER, Transfer Case Yoke, Rubber |
| 35 | 04798138 | 1 | J | | | ER0 | DG0 | | YOKE, Transfer Case, Transfer Case Front |
| 36 | 04798125 | 1 | J | | | ER0 | DG0 | | SEAL, Output Shaft |
| 37 | 0089331A | 1 | J | | | ER0 | DG0 | | SNAP RING, Snap Bearing Front |
| 38 | 04338321 | 1 | J | | | ER0 | DG0 | | BEARING |
| 39 | 04746321 | 1 | J | | | ER0 | DG0 | | OUTPUT SHAFT, Transfer Case |
| 40 | 83503531 | 1 | J | | | ER0 | DG0 | | SPROCKET, Transfer Case |
| 41 | 83504575 | 1 | J | | | ER0 | DG0 | | CHAIN, Transfer Case |
| 42 | 0089331A | 1 | J | | | ER0 | DG0 | | SNAP RING |
| 43 | 04269189 | 1 | J | | | ER0 | DG0 | | BEARING, Output Shaft |

GRAND CHEROKEE (ZJ)

SERIES LINE
 L = LOWLINE T = JEEP - 2WD
 J = JEEP - 4WD

BODY
 74 = SPORT UTILITY 4-DR

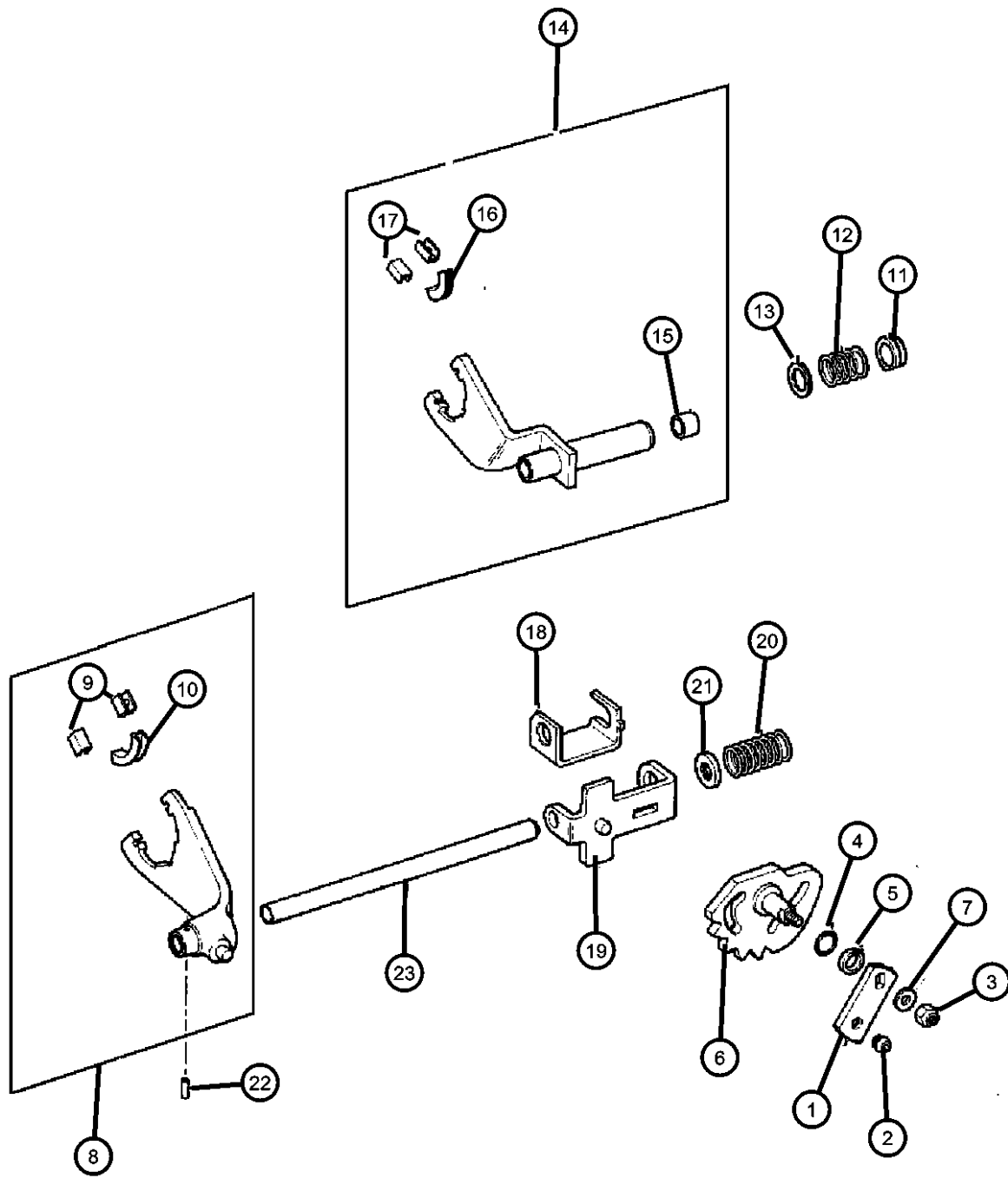
ENGINE
 ELF = 5.2L V8 MPI Engine
 EML = 5.9L V8 MPI Engine
 ERH = 4.0L Power Tech I-6 Engine

TRANSMISSION
 DGK = 4-Spd. Automatic 42RE Transmission
 DGW = 4-Spd. Automatic 4RE Transmission
 DG0 = Transmissions - All Automatic

AR = use ase required - = Non illustrated part

1997 ZJ

Forks, Rails - Shifting Select Trac [DHP]
Figure 242-910



| ITEM | PART NUMBER | QTY | LINE | SERIES | BODY | ENGINE | TRANS | TRIM | DESCRIPTION |
|------|-------------|-----|------|--------|------|--------|-------|------|--|
| 1 | 53004227 | 1 | J | | | ER0 | DG0 | | LEVER, Transfer Case |
| 2 | 53004810 | 1 | J | | | ER0 | DG0 | | BUSHING, Shift Lever, Shift Lever |
| 3 | 00152345 | 1 | J | | | ER0 | DG0 | | NUT, Hex Flange Lock |
| 4 | 04167963 | 1 | J | | | ER0 | DG0 | | SEAL, O-Ring |
| 5 | 04167964 | 1 | J | | | ER0 | DG0 | | RETAINER, Rear Clutch, Shift Lever |
| 6 | 04638949 | 1 | J | | | ER0 | DG0 | | SECTOR, Transfer Case |
| 7 | 04638949 | 1 | | | | | | | WASHER, (NOT SERVICED) |
| 8 | 83503508 | 1 | J | | | ER0 | DG0 | | FORK, Range, Range Shift |
| 9 | 04167969 | 2 | J | | | ER0 | DG0 | | PAD, Shift Fork |
| 10 | 04167970 | 1 | J | | | ER0 | DG0 | | PAD, Shift Fork |
| 11 | 04338945 | 1 | J | | | ER0 | DG0 | | BUSHING, Shift Rail |
| 12 | 83503513 | 1 | J | | | ER0 | DG0 | | SPRING, Mode Shift Fork, Mode Shift Rail |
| 13 | 83503512 | 1 | J | | | ER0 | DG0 | | WASHER, Flat, Mode Shift Rail |
| 14 | 04638950 | 1 | J | | | ER0 | DG0 | | FORK, Transfer Case Mode Shift, Mode Shift |
| 15 | J8134291 | 2 | J | | | ER0 | DG0 | | BUSHING, Shift Fork, Mode Shift Rail |
| 16 | 04338376 | 1 | J | | | ER0 | DG0 | | PAD, Shift Fork |
| 17 | 04167969 | 2 | J | | | ER0 | DG0 | | PAD, Shift Fork |
| 18 | 83503511 | 1 | J | | | ER0 | DG0 | | BRACKET, Shift Mode, Shift, Inner |
| 19 | 83503510 | 1 | J | | | ER0 | DG0 | | BRACKET, Shift Mode, Shift, Outer |
| 20 | 83503516 | 1 | J | | | ER0 | DG0 | | SPRING, Mode Shift Fork |
| 21 | 83503515 | 1 | J | | | ER0 | DG0 | | CUP, Shift Fork Spring |
| 22 | 01664355 | 1 | J | | | ER0 | DG0 | | PIN, Shift Fork, Shift Fork |
| 23 | 83504469 | 1 | J | | | ER0 | DG0 | | RAIL, Transfer Case, Shift Fork |

GRAND CHEROKEE (ZJ)

SERIES LINE
L = LOWLINE T = JEEP - 2WD
J = JEEP - 4WD

BODY
74 = SPORT UTILITY 4-DR

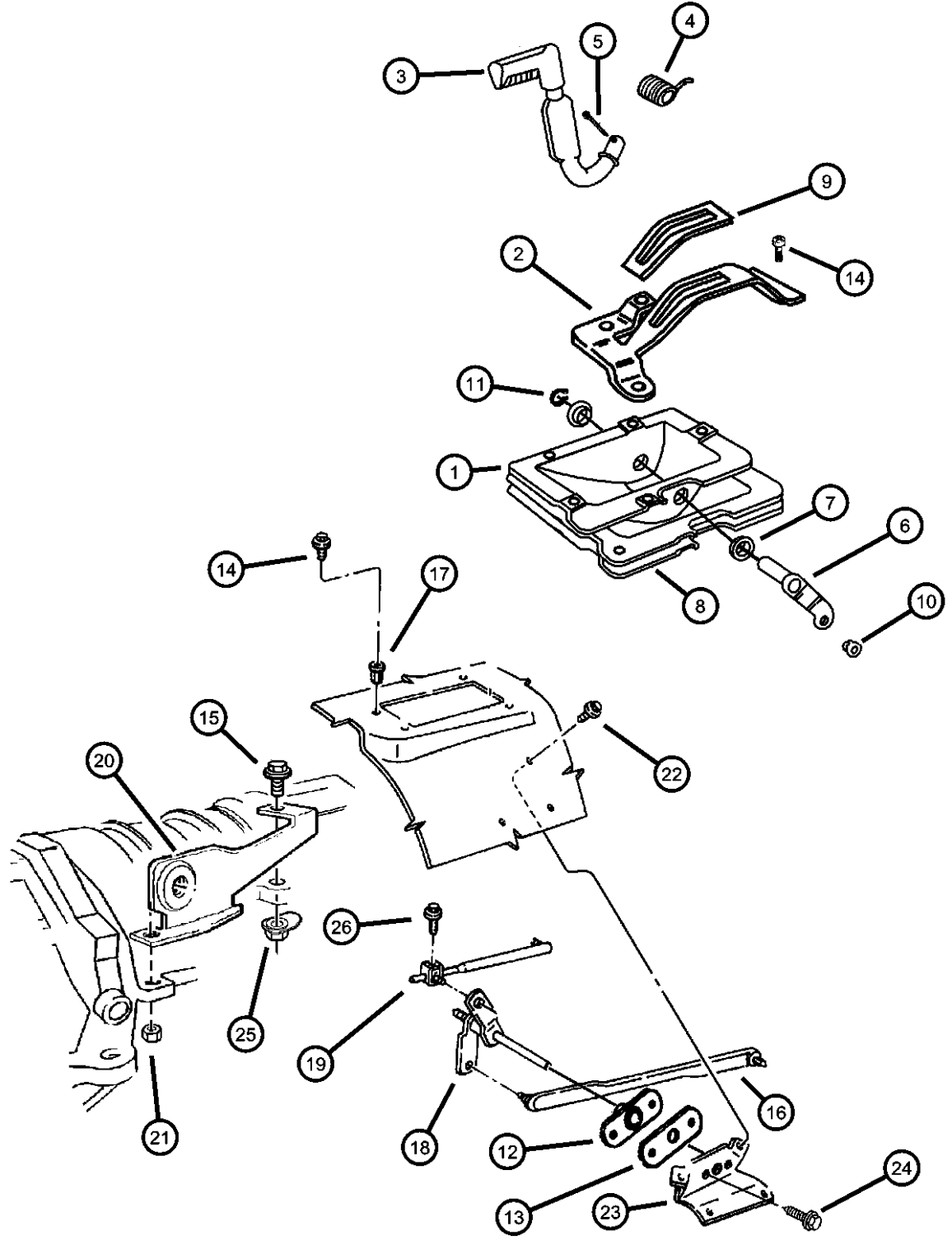
ENGINE
ELF = 5.2L V8 MPI Engine
EML = 5.9L V8 MPI Engine
ERH = 4.0L Power Tech I-6 Engine

TRANSMISSION
DGK = 4-Spd. Automatic 42RE Transmission
DGW = 4-Spd. Automatic 4RE Transmission
DG0 = Transmissions - All Automatic

AR = use ase required - = Non illustrated part

1997 ZJ

**Conrols, Shift Select Trac [DHP]
Figure 242-1210**



| ITEM | PART NUMBER | QTY | LINE | SERIES | BODY | ENGINE | TRANS | TRIM | DESCRIPTION |
|------|-------------|-----|------|--------|------|--------|----------|------|---|
| 1 | 52078427 | 1 | J | | | | | | HOUSING, Shift Lever |
| 2 | 52078757 | 1 | J | | | | | | GATE, Transfer Case Shifter |
| 3 | 52078762 | 1 | J | | | | | | LEVER, Transfer Case Shifter |
| 4 | 52104021 | 1 | J | | | | | | SPRING, Transfer Case Lever |
| 5 | J4006723 | 1 | J | | | | | | PIN, Cotter, Transfer Case |
| 6 | 52078760 | 1 | J | | | | | | LEVER, Selector |
| 7 | 53000639 | 2 | J | | | | | | BUSHING, Shift Control |
| 8 | 52078059 | 1 | J | | | | | | GASKET, Shift Lever Housing |
| 9 | 52078759 | 1 | J | | | | | | LINER, Transfer Case Selector |
| 10 | 03575333 | AR | J | | | | | | GROMMET, Control Rod Front |
| 11 | 11505389 | 1 | J | | | | | | SNAP RING, Retaining |
| 12 | 52078134 | 1 | J | | | | | | BEARING, Transfer Case Shift |
| 13 | 53005154 | 1 | J | | | | | | GASKET, Gearshift Control Rod |
| 14 | 34201277 | 1 | J | | | | | | SCREW, Hex Head, M5x0.8x16.00 |
| 15 | 06101062 | 2 | J | | | | | | SCREW AND WASHER, Hex Head, M10x1.5x40 |
| 16 | 52078116 | 1 | J | | | ER0 | DGK, DGW | | ROD, Gear Shift Control, Transfer Case, Transfer Case Shift Lever |
| 17 | 52078116 | 1 | | | | | | | RIVET, (NOT SERVICED) |
| 18 | 52078665 | 1 | J | | | | | | TORQUE SHAFT, Transfer Case, Transfer Case Shaft |
| 19 | 52078113 | 1 | J | | | | | | ROD, Gear Shift Control, Transfer Case, Gear Selector |
| 20 | 52104222 | 1 | J | | | ER0 | DGK | | BRACKET, Torque Shaft |
| 21 | 06502337 | 1 | J | | | | DGK, DGW | | NUT, M10x1.5, w/ WASHER M10x1.50 *** |
| 22 | 06503809 | 4 | J | | | | | | SCREW |
| 23 | 52078022 | 1 | J | | | | | | BRACKET, Torque Bearing |
| 24 | 06032518 | 2 | J | | | | | | SCREW AND WASHER, Hex Head, .250-14x.75 |
| 25 | 06503231 | 1 | J | | | | DGK, DGW | | NUT, Brake Line |
| 26 | J9419683 | 1 | J | | | | | | BOLT, Hex Flange Head, .312-18x.625, .312-18x.625 |

GRAND CHEROKEE (ZJ)

| | | | | |
|-------------|----------------------------------|-------------------------|--|--|
| SERIES | LINE | BODY | ENGINE | TRANSMISSION |
| L = LOWLINE | T = JEEP - 2WD J = JEEP - 4WD | 74 = SPORT UTILITY 4-DR | ELF = 5.2L V8 MPI Engine EML = 5.9L V8 MPI Engine ERH = 4.0L Power Tech I-6 Engine | DGK = 4-Spd. Automatic 42RE Transmission DGW = 4-Spd. Automatic 4RE Transmission DG0 = Transmissions - All Automatic |

AR = use ase required - = Non illustrated part

Group - 249

Transfer Case Model 249 [DHR]

Group - 249 Transfer Case Model 249 [DHR]

Illustration Title

Group-Fig. No.

Transfer Case Assembly

Transfer Case Model [DHR] Fig. 249 - 110

Case and Related Parts

Case And Extension And Miscellaneous Parts [DHR] Fig. 249 - 210

Gear Train

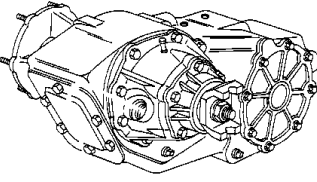
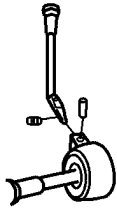
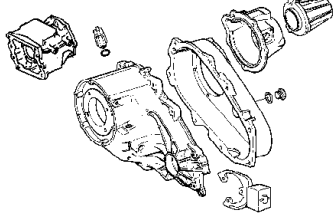
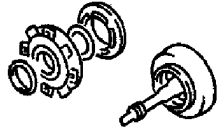
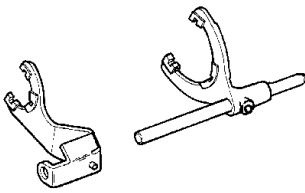
Gear Train [DHR] Fig. 249 - 410

Fork and Rails

Fork And Rails - Shifting [DHR] Fig. 249 - 910

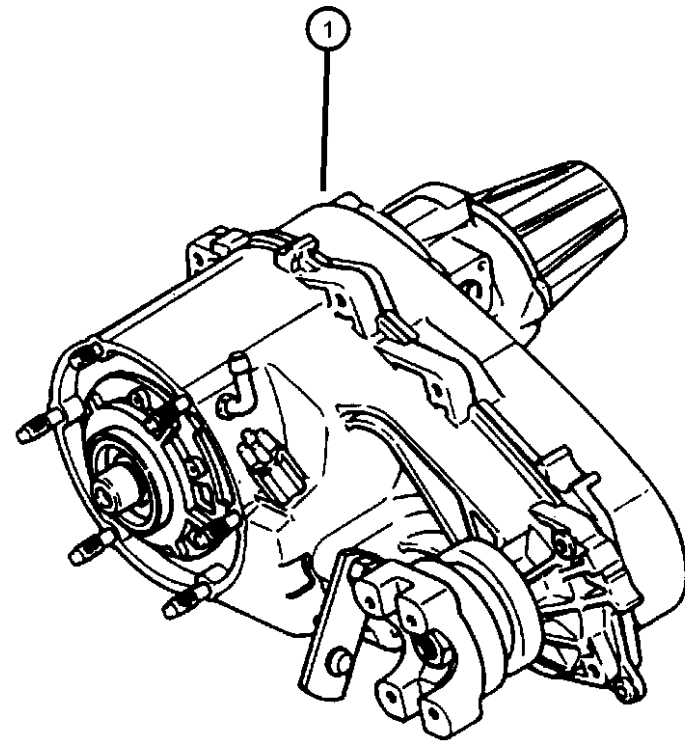
Gearshift Controls

Controls Shift [DHR] Fig. 249 - 1210

| | | | |
|--|--|--|---|
| 249-100 Transfer Case Assembly  | 249-1200 Gearshift Controls  | 249-200 Case and Related Parts  | 249-400 Gear Train  |
| 249-900 Fork and Rails  | | | |

Transfer Case Model [DHR]
Figure 249-110

| ITEM | PART NUMBER | QTY | LINE | SERIES | BODY | ENGINE | TRANS | TRIM | DESCRIPTION |
|------|-------------|-----|------|--------|------|------------------|-------|------|----------------------|
| 1 | 52098916 | 1 | J | | | ELO, EM0, ERO | DG0 | | TRANSFER CASE, NP249 |

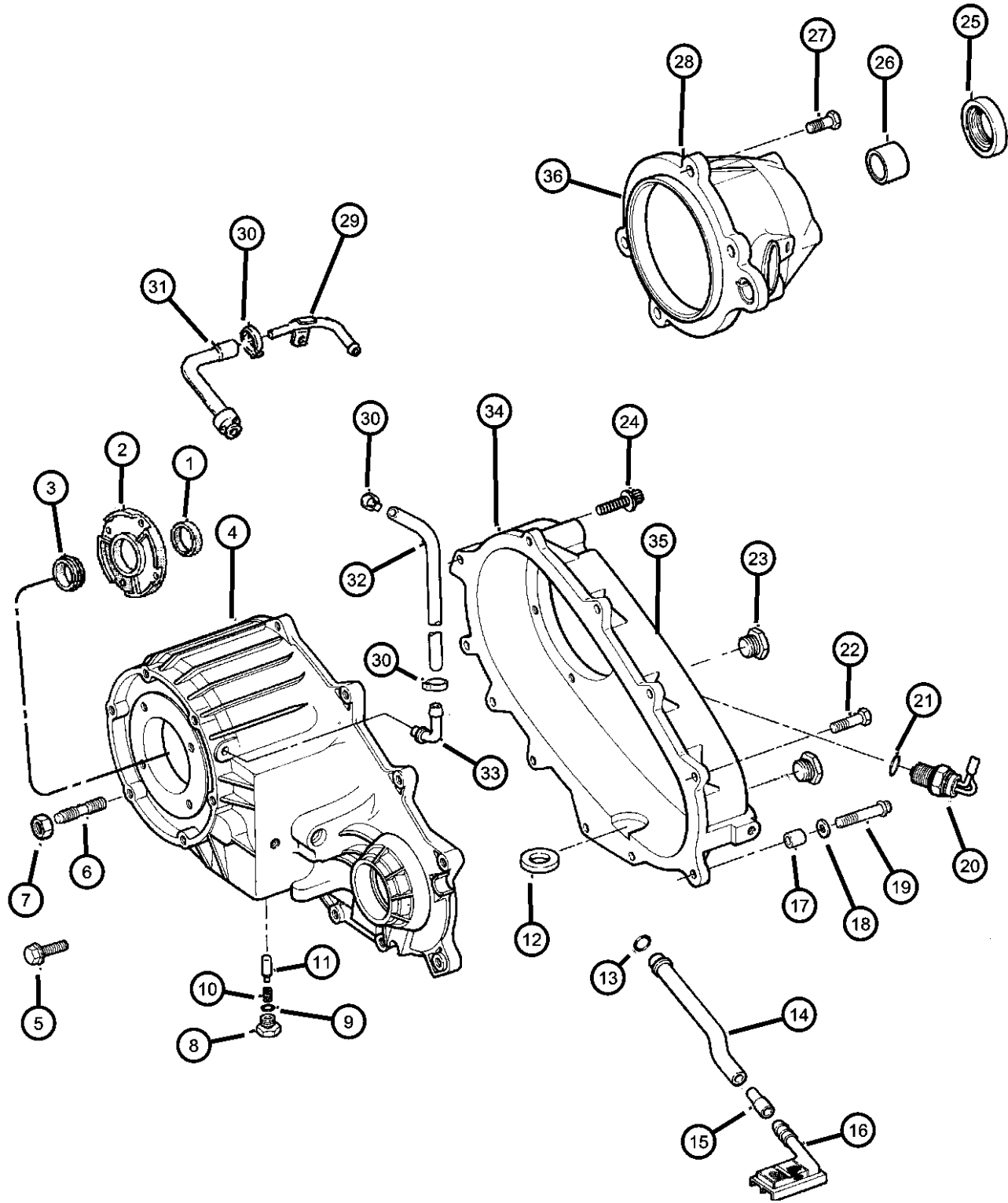


GRAND CHEROKEE (ZJ)

| | | | | |
|-------------|----------------|-------------------------|----------------------------------|--|
| SERIES | LINE | BODY | ENGINE | TRANSMISSION |
| L = LOWLINE | T = JEEP - 2WD | 74 = SPORT UTILITY 4-DR | ELF = 5.2L V8 MPI Engine | DGK = 4-Spd. Automatic 42RE Transmission |
| | J = JEEP - 4WD | | EML = 5.9L V8 MPI Engine | DGW = 4-Spd. Automatic 4RE Transmission |
| | | | ERH = 4.0L Power Tech I-6 Engine | DG0 = Transmissions - All Automatic |

AR = use ase required - = Non illustrated part

**Case And Extension And Miscellaneous Parts [DHR]
Figure 249-210**

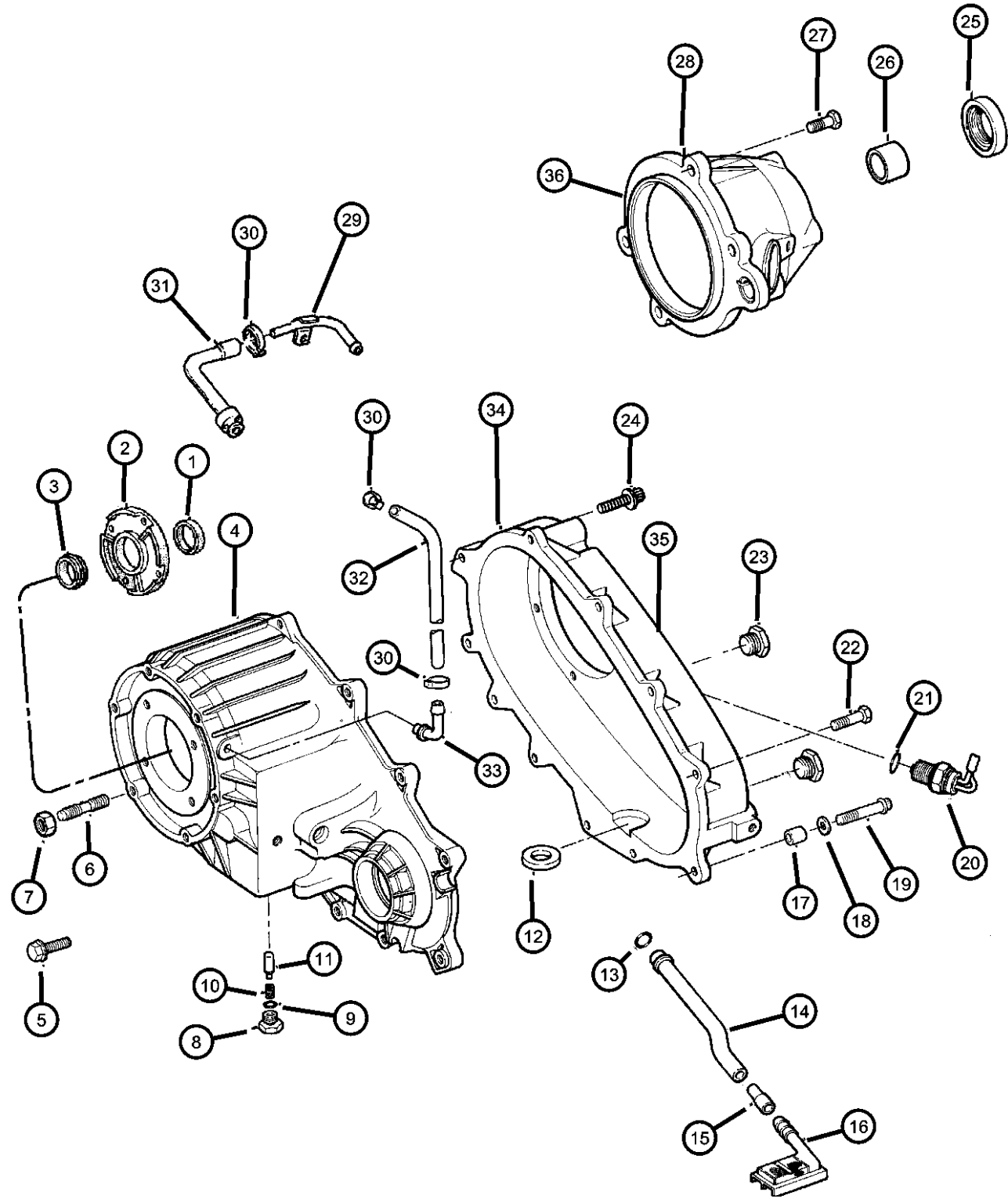


| ITEM | PART NUMBER | QTY | LINE | SERIES | BODY | ENGINE | TRANS | TRIM | DESCRIPTION |
|------|-------------|-----|------|--------|------|---------------|-------|------|---|
| 1 | 04167929 | 1 | J | | | ELO, EM0, ERO | DG0 | | SEAL, Input Gear, Transfer Case Front Input |
| 2 | 04338973 | 1 | J | | | ELO, EM0, ERO | DG0 | | EXTENSION, Transfer Case |
| 3 | 04746155 | 1 | J | | | ELO, EM0, ERO | DG0 | | BEARING, Input Gear, Front Input Shaft |
| 4 | 04798124 | 1 | J | | | ELO, EM0, ERO | DG0 | | CASE, Transfer Front, Front Half *** |
| 5 | 06500318 | 4 | J | | | ELO, EM0, ERO | DG0 | | BOLT |
| 6 | 04505365 | 6 | J | | | ELO, EM0, ERO | DG0 | | STUD, M10x1.54x36 |
| 7 | J4006681 | 6 | J | | | | | | NUT AND CONED WASHER, Hex, .375-24 |
| 8 | 53008216 | 1 | J | | | ELO, EM0, ERO | DG0 | | SCREW, Poppet |
| 9 | 04338956 | 2 | J | | | ELO, EM0, ERO | DG0 | | SEAL, Vacuum Switch |
| 10 | 04638497 | 1 | J | | | ELO, EM0, ERO | DG0 | | SPRING, Shift Detent, Poppet |
| 11 | 53008217 | 1 | J | | | ELO, EM0, ERO | DG0 | | PLUNGER, Poppet |
| 12 | 03681601 | 1 | J | | | ELO, EM0, ERO | DG0 | | MAGNET, Transmission |
| 13 | 04338942 | 1 | J | | | ELO, EM0, ERO | DG0 | | SEAL, Oil |
| 14 | 04638893 | 1 | J | | | ELO, EM0, ERO | DG0 | | TUBE, Oil Pickup |
| 15 | 04338944 | 1 | J | | | ELO, EM0, ERO | DG0 | | CONNECTOR, Oil Tube Pickup, Oil Tube |
| 16 | 04338943 | 1 | J | | | ELO, EM0, ERO | DG0 | | FILTER, Transfer Case Oil |
| 17 | 04116310 | 2 | J | | | ELO, EM0, ERO | DG0 | | DOWEL, Transfer Case |
| 18 | 04210983 | 2 | J | | | ELO, EM0, ERO | DG0 | | WASHER, Flat |
| 19 | 04210614 | 2 | J | | | ELO, EM0, ERO | DG0 | | BOLT, Hex Flange Head |
| 20 | 56006755 | 1 | J | | | ELO, EM0, ERO | DG0 | | SWITCH, Transfer Case Mode, Transfer Case Indicator |
| 21 | 04338956 | 2 | J | | | ELO, EM0, ERO | DG0 | | SEAL, Vacuum Switch |
| 22 | 04210617 | 7 | J | | | ELO, EM0, ERO | DG0 | | BOLT, Transfer Case |
| 23 | 04856641 | 2 | J | | | ELO, EM0, ERO | DG0 | | PLUG, Oil Fill, Fill and Drain |
| 24 | J8130979 | 2 | J | | | ELO, EM0, ERO | DG0 | | BOLT, Twelve Point Head, M10x1.5x48 |

GRAND CHEROKEE (ZJ)
 SERIES LINE BODY ENGINE TRANSMISSION
 L = LOWLINE T = JEEP - 2WD 74 = SPORT UTILITY 4-DR ELF = 5.2L V8 MPI Engine DGK = 4-Spd. Automatic 42RE
 J = JEEP - 4WD EML = 5.9L V8 MPI Engine DGW = 4-Spd. Automatic 4RE
 ERH = 4.0L Power Tech I-6 Engine DG0 = Transmissions - All Automatic

AR = use ase required - = Non illustrated part

**Case And Extension And Miscellaneous Parts [DHR]
Figure 249-210**

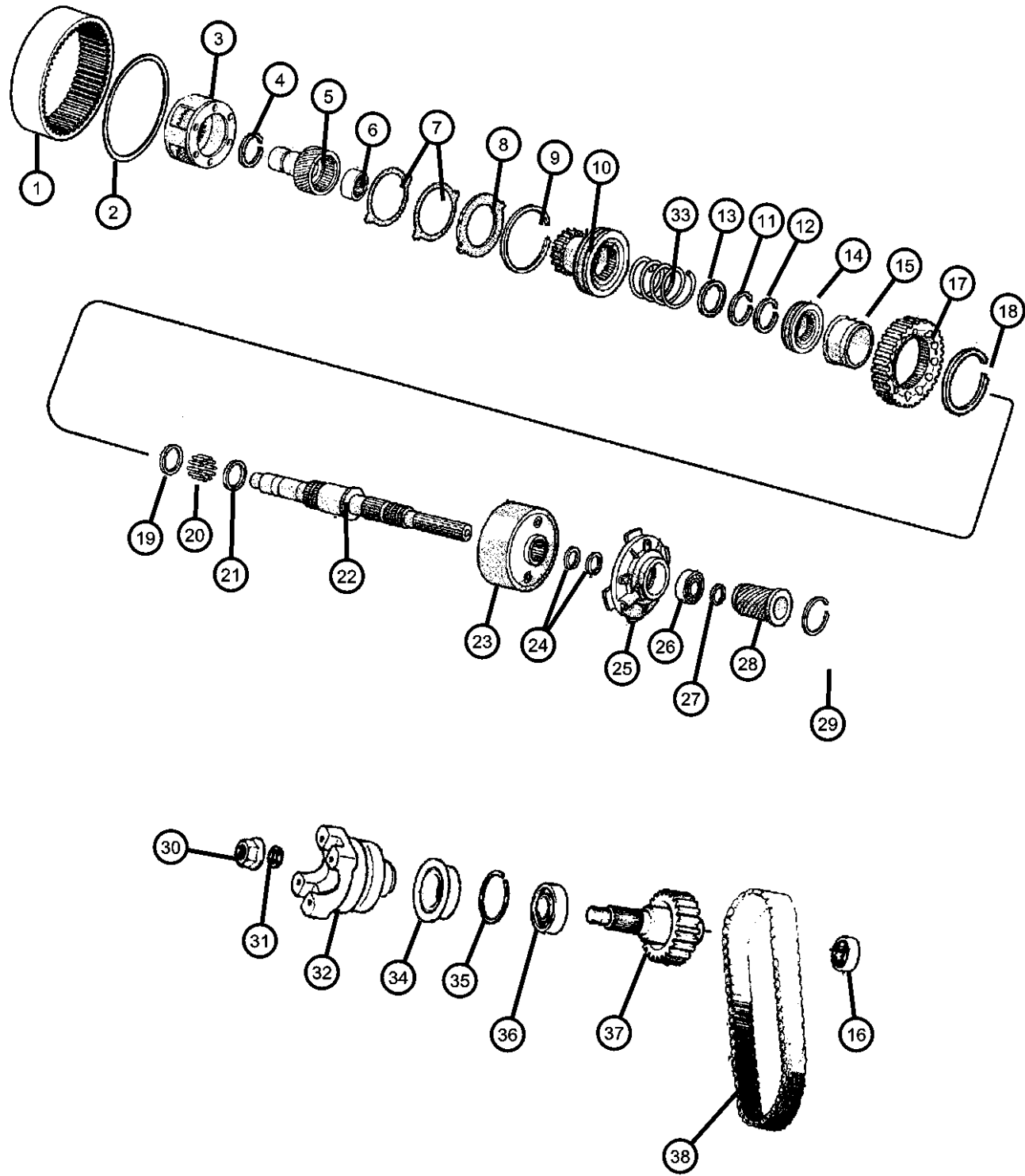


| ITEM | PART NUMBER | QTY | LINE | SERIES | BODY | ENGINE | TRANS | TRIM | DESCRIPTION |
|------|-------------|-----|------|--------|------|---------------|-------|------|---|
| 25 | 04638904 | 1 | J | | | ELO, EM0, ERO | DG0 | | SEAL, Rear Output Shaft |
| 26 | 04638902 | 1 | J | | | ELO, EM0, ERO | DG0 | | BUSHING, Extension Housing, Extension |
| 27 | 06501371 | 4 | J | | | ELO, EM0, ERO | DG0 | | BOLT, Retainer, Retainer |
| 28 | 04728161 | 1 | J | | | ELO, EM0, ERO | DG0 | | EXTENSION, Transfer Case |
| 29 | 53004828 | 1 | J | | | | | | TUBE, Transfer Case Vent |
| 30 | 06502081 | 2 | J | | | | | | CLAMP, Oil Cooler Line |
| 31 | 04338943 | 1 | J | | | ELO, EM0, ERO | DG0 | | FILTER, Transfer Case Oil |
| 32 | 04443176 | 1 | J | | | | | | HOSE, Fuel, .31 I.D. 50 Foot Roll, Roll |
| 33 | 04796910 | 1 | J | | | ELO, EM0, ERO | DG0 | | VENT, Transfer Case |
| 34 | 04886206AA | 1 | J | | | ELO, EM0, ERO | DG0 | | CASE, Transfer Rear |
| 35 | 02466957 | 1 | J | | | ELO, EM0, ERO | DG0 | | COVER, Transmission Converter |
| 36 | 02801398 | 1 | J | | | ELO, EM0, ERO | DG0 | | GASKET, Transmission |

| | | | | |
|----------------------------|----------------------------------|-------------------------|--|--|
| GRAND CHEROKEE (ZJ) | | | | |
| SERIES | LINE | BODY | ENGINE | TRANSMISSION |
| L = LOWLINE | T = JEEP - 2WD J = JEEP - 4WD | 74 = SPORT UTILITY 4-DR | ELF = 5.2L V8 MPI Engine EML = 5.9L V8 MPI Engine ERH = 4.0L Power Tech I-6 Engine | DGK = 4-Spd. Automatic 42RE Transmission DGW = 4-Spd. Automatic 4RE Transmission DG0 = Transmissions - All Automatic |

AR = use ase required - = Non illustrated part

**Gear Train [DHR]
Figure 249-410**



| ITEM | PART NUMBER | QTY | LINE | SERIES | BODY | ENGINE | TRANS | TRIM | DESCRIPTION |
|------|-------------|-----|------|--------|------|---------------|-------|------|---|
| 1 | 02801398 | 1 | | | | | | | CAMS Unknown, GEAR, Annulus (Order Front Case) ***, (NOT SERVICED) |
| 2 | 04219065 | 1 | J | | | ELO, EM0, ERO | DG0 | | SNAP RING, Annulus Gear, Annulus |
| 3 | 04796903 | 1 | J | | | ELO, EM0, ERO | DG0 | | GEAR, Low Range Planetary |
| 4 | 04798130 | 1 | J | | | ELO, EM0, ERO | DG0 | | SNAP RING |
| 5 | 04798126 | 1 | J | | | ELO, EM0, ERO | DG0 | | GEAR, Input, Input *** |
| 6 | 83503507 | 1 | J | | | ELO, EM0, ERO | DG0 | | BEARING, Input Shaft, Input Gear |
| 7 | 04338908 | 2 | J | | | ELO, EM0, ERO | DG0 | | THRUST WASHER, Planetary Carrier, Thrust |
| 8 | 04338909 | 1 | J | | | ELO, EM0, ERO | DG0 | | RING |
| 9 | 04338910 | 1 | J | | | ELO, EM0, ERO | DG0 | | SNAP RING, Retaining |
| 10 | 04798132 | 1 | J | | | ELO, EM0, ERO | DG0 | | SLEEVE, Shift Range, Range |
| 11 | 04338910 | 1 | J | | | ELO, EM0, ERO | DG0 | | SNAP RING |
| 12 | 03821558 | 1 | J | | | ELO, EM0, ERO | DG0 | | SNAP RING |
| 13 | 04798129 | 1 | J | | | ELO, EM0, ERO | DG0 | | WASHER, Clutch Control |
| 14 | 04798128 | 1 | J | | | ELO, EM0, ERO | DG0 | | CLUTCH, Oneway |
| 15 | 04798133 | 1 | J | | | ELO, EM0, ERO | DG0 | | GEAR, Differential |
| 16 | 04269189 | 1 | J | | | ELO, EM0, ERO | DG0 | | BEARING, Output Shaft, Output Shaft Rear |
| 17 | 04728157 | 1 | J | | | ELO, EM0, ERO | DG0 | | SPROCKET, Transfer Case, Drive (47 Teeth) *** |
| 18 | 83503532 | 1 | J | | | ELO, EM0, ERO | DG0 | | SNAP RING, Drive Sprocket Snap |
| 19 | 83503533 | 2 | J | | | ELO, EM0, ERO | DG0 | | SPACER, Sprocket |
| 20 | 83503543 | 1 | J | | | ELO, EM0, ERO | DG0 | | BEARING PACKAGE, Transfer Case |
| 21 | 83503533 | 2 | J | | | ELO, EM0, ERO | DG0 | | SPACER, Sprocket |
| 22 | 04798127 | 1 | J | | | ELO, EM0, ERO | DG0 | | SHAFT, Main, Main |
| 23 | 04798137 | 1 | J | | | ELO, EM0, ERO | DG0 | | VISCOUS COUPLING, Viscous *** |
| 24 | 04638895 | 2 | J | | | ELO, EM0, ERO | DG0 | | SNAP RING, Mainshaft, Viscous Retaining |

GRAND CHEROKEE (ZJ)

SERIES LINE
L = LOWLINE T = JEEP - 2WD
J = JEEP - 4WD

BODY
74 = SPORT UTILITY 4-DR

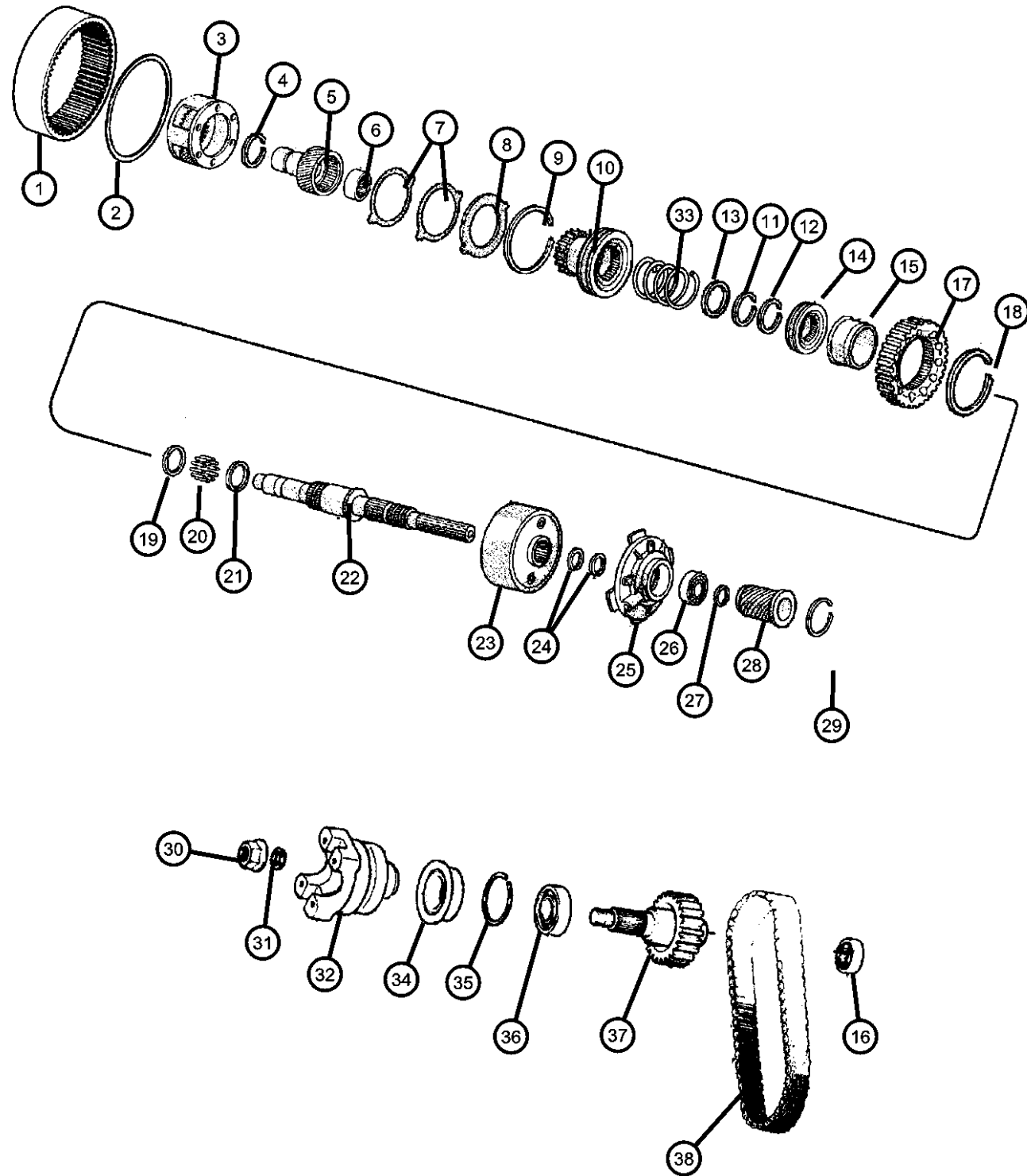
ENGINE
ELF = 5.2L V8 MPI Engine
EML = 5.9L V8 MPI Engine
ERH = 4.0L Power Tech I-6 Engine

TRANSMISSION
DGK = 4-Spd. Automatic 42RE Transmission
DGW = 4-Spd. Automatic 4RE Transmission
DG0 = Transmissions - All Automatic

AR = use ase required - = Non illustrated part

1997 ZJ

**Gear Train [DHR]
Figure 249-410**



| ITEM | PART NUMBER | QTY | LINE | SERIES | BODY | ENGINE | TRANS | TRIM | DESCRIPTION |
|------|-------------|-----|------|--------|------|---------------|-------|------|--|
| 25 | 04638896 | 1 | J | | | ELO, EM0, ERO | DG0 | | PUMP, Transfer Case Gear Rotor, Gerotor |
| 26 | 04638899 | 1 | J | | | ELO, EM0, ERO | DG0 | | BEARING, Output Shaft, Rear Output |
| 27 | 04446478 | 1 | J | | | ELO, EM0, ERO | DG0 | | SNAP RING, Bearing Retainer |
| 28 | 04638900 | 1 | J | | | ELO, EM0, ERO | DG0 | | GEAR, Speedometer Drive, Speedometer Drive *** |
| 29 | 04638905 | 1 | J | | | ELO, EM0, ERO | DG0 | | SNAP RING, Rear Output Yoke Retaining |
| 30 | 04167924 | 1 | J | | | ELO, EM0, ERO | DG0 | | NUT, Transfer Case Yoke |
| 31 | 04210973 | 1 | J | | | ELO, EM0, ERO | DG0 | | WASHER, Transfer Case Yoke |
| 32 | 04798138 | 1 | J | | | ELO, EM0, ERO | DG0 | | YOKE, Transfer Case |
| 33 | 04798131 | 1 | J | | | ELO, EM0, ERO | DG0 | | SPRING, Clutch |
| 34 | 04798125 | 1 | J | | | ELO, EM0, ERO | DG0 | | SEAL, Output Shaft |
| 35 | 00631809 | 1 | J | | | ELO, EM0, ERO | DG0 | | SNAP RING |
| 36 | 02466224 | 1 | J | | | ELO, EM0, ERO | DG0 | | BEARING, Output Shaft, Output Shaft |
| 37 | 04728158 | 1 | J | | | ELO, EM0, ERO | DG0 | | OUTPUT SHAFT, Transfer Case, Front Output |
| 38 | 04728159 | 1 | J | | | ELO, EM0, ERO | DG0 | | CHAIN, Transfer Case |

GRAND CHEROKEE (ZJ)

SERIES LINE
L = LOWLINE T = JEEP - 2WD
 J = JEEP - 4WD

BODY
74 = SPORT UTILITY 4-DR

ENGINE
ELF = 5.2L V8 MPI Engine
EML = 5.9L V8 MPI Engine
ERH = 4.0L Power Tech I-6 Engine

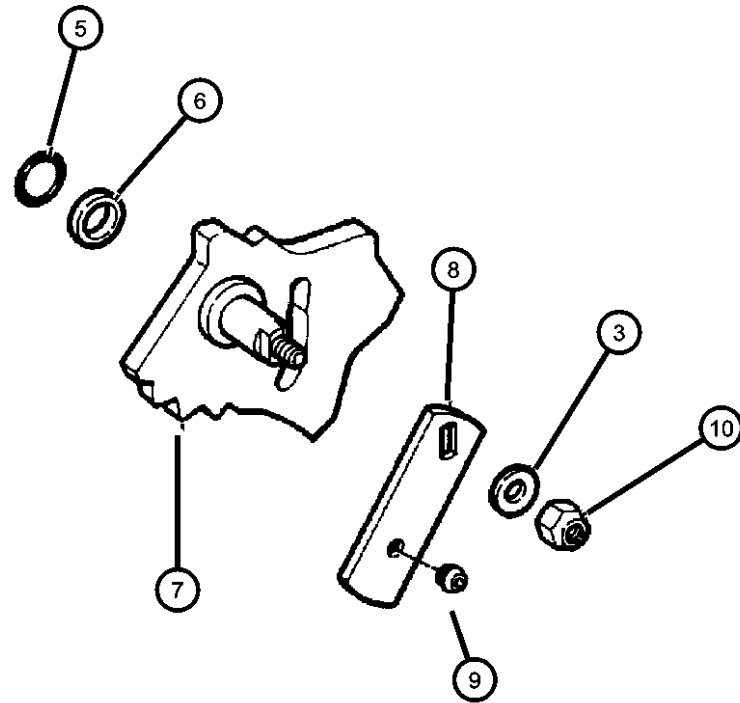
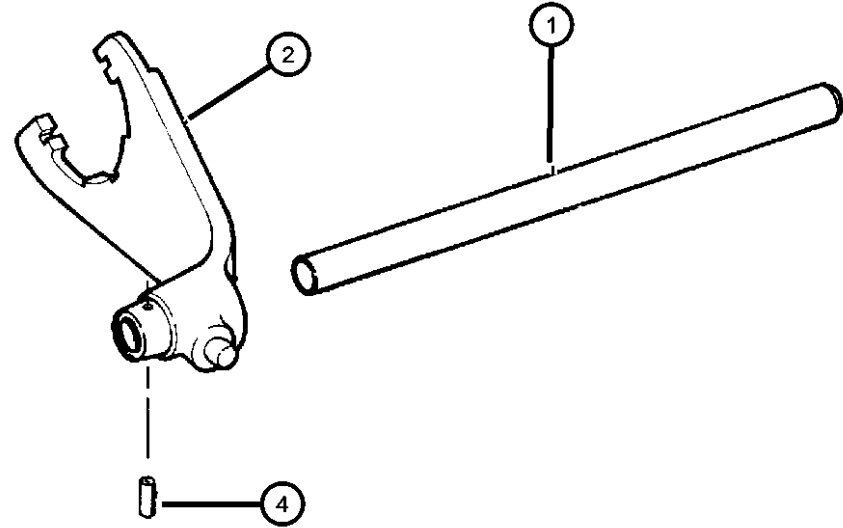
TRANSMISSION
DGK = 4-Spd. Automatic 42RE Transmission
DGW = 4-Spd. Automatic 4RE Transmission
DG0 = Transmissions - All Automatic

AR = use ase required - = Non illustrated part

1997 ZJ

Fork And Rails - Shifting [DHR]
Figure 249-910

| ITEM | PART NUMBER | QTY | LINE | SERIES | BODY | ENGINE | TRANS | TRIM | DESCRIPTION |
|------|-------------|-----|------|--------|------|---------------|-------|------|--|
| 1 | 04798135 | 1 | J | | | ELO, EM0, ERO | DG0 | | RAIL, Transfer Case, Shift |
| 2 | 04798136 | 1 | J | | | ELO, EM0, ERO | DG0 | | FORK, Range, Range *** |
| 3 | 04798136 | 1 | | | | | | | CAMS Unknown, WASHER (DNS) ***, (NOT SERVICED) |
| 4 | 04798136 | 1 | | | | | | | PIN, Shift Fork, (NOT REQUIRED) |
| 5 | 04167963 | 1 | J | | | ELO, EM0, ERO | DG0 | | SEAL, O-Ring, Shift Lever |
| 6 | 04167964 | 1 | J | | | ELO, EM0, ERO | DG0 | | RETAINER, Rear Clutch |
| 7 | 04798134 | 1 | J | | | ELO, EM0, ERO | DG0 | | SECTOR, Transfer Case |
| 8 | 04638906 | 1 | J | | | ELO, EM0, ERO | DG0 | | LEVER, Transfer Case |
| 9 | 53004810 | 1 | J | | | ELO, EM0, ERO | DG0 | | BUSHING, Shift Lever, Shift Lever |
| 10 | 00152345 | 1 | J | | | ELO, EM0, ERO | DG0 | | NUT, .375-24 |



GRAND CHEROKEE (ZJ)

SERIES LINE
L = LOWLINE T = JEEP - 2WD
J = JEEP - 4WD

BODY
74 = SPORT UTILITY 4-DR

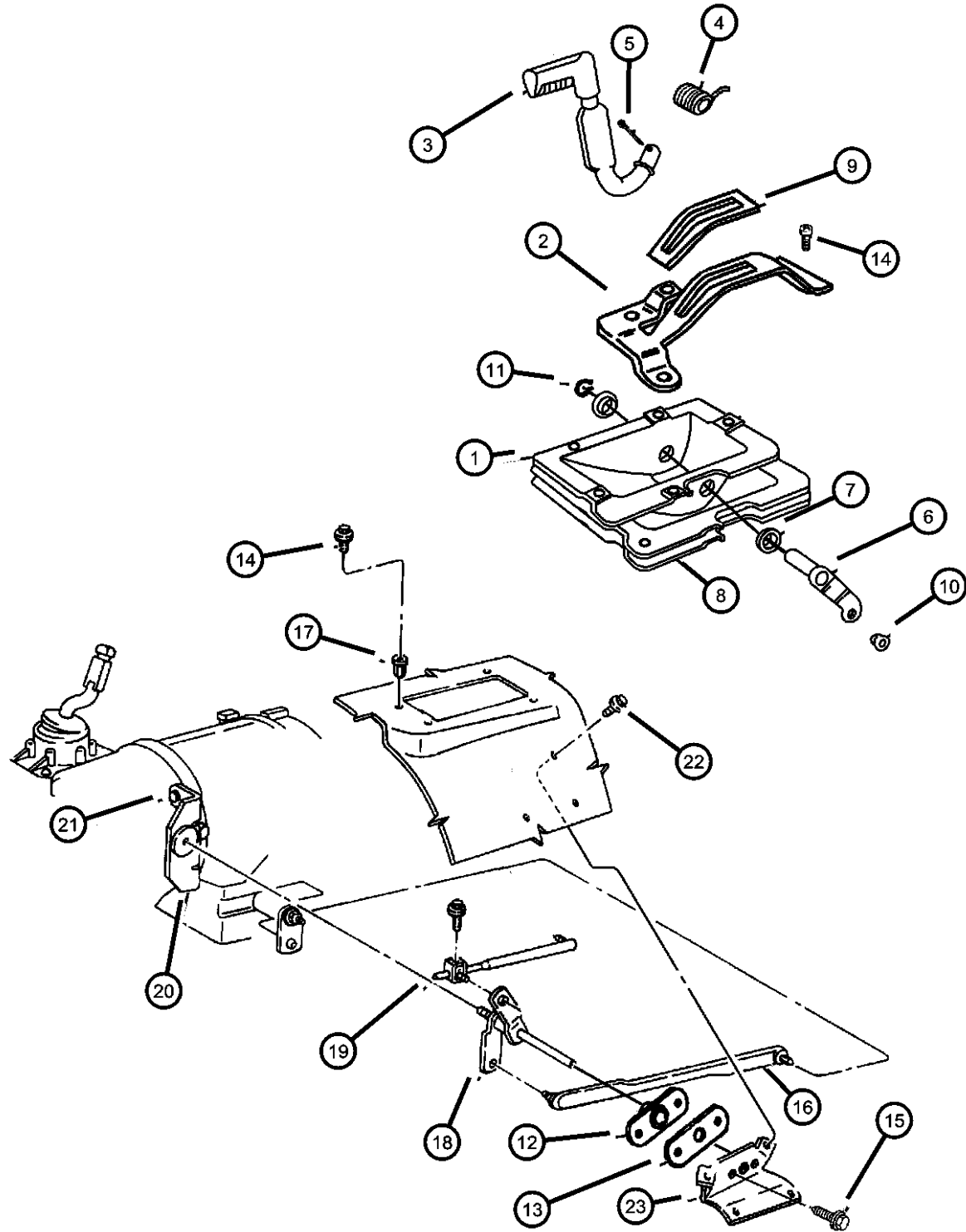
ENGINE
ELF = 5.2L V8 MPI Engine
EML = 5.9L V8 MPI Engine
ERH = 4.0L Power Tech I-6 Engine

TRANSMISSION
DGK = 4-Spd. Automatic 42RE Transmission
DGW = 4-Spd. Automatic 4RE Transmission
DG0 = Transmissions - All Automatic

AR = use ase required - = Non illustrated part

1997 ZJ

Controls Shift [DHR]
Figure 249-1210



| ITEM | PART NUMBER | QTY | LINE | SERIES | BODY | ENGINE | TRANS | TRIM | DESCRIPTION |
|------|-------------|-----|------|--------|------|----------|-------|------|---|
| 1 | 52078427 | 1 | J | | | EL0, ER0 | | | HOUSING, Shift Lever |
| | | 1 | J | | | EM0 | | | |
| 2 | 53054445 | 1 | J | | | EL0, ER0 | | | GATE, Transfer Case Shifter |
| | | 1 | J | | | EM0 | | | |
| 3 | 52078762 | 1 | J | | | EL0, ER0 | | | LEVER, Transfer Case Shifter |
| 4 | 52104021 | 1 | J | | | EL0, ER0 | | | SPRING, Transfer Case Lever |
| | | 1 | J | | | EM0 | | | |
| 5 | J4006723 | 1 | J | | | EL0, ER0 | | | PIN, Cotter |
| | | 1 | J | | | EM0 | | | Transfer Case |
| 6 | 52078760 | 1 | J | | | EL0, ER0 | | | Transfer Case |
| | | 1 | J | | | EM0 | | | LEVER, Selector |
| 7 | 53000639 | 2 | J | | | EL0, ER0 | | | BUSHING, Shift Control |
| | | 2 | J | | | EM0 | | | |
| 8 | 52078059 | 1 | J | | | EL0, ER0 | | | GASKET, Shift Lever Housing |
| | | 1 | J | | | EM0 | | | |
| 9 | 53054446 | 1 | J | | | EL0, ER0 | | | LINER, Transfer Case Shifter |
| | | 1 | J | | | EM0 | | | |
| 10 | 03575333 | AR | J | | | | | | GROMMET |
| 11 | 11505389 | 1 | J | | | EL0, ER0 | | | SNAP RING |
| | | 1 | J | | | EM0 | | | Retaining |
| | | 1 | J | | | EM0 | | | Retaining |
| 12 | 52078134 | 1 | J | | | | | | BEARING, Transfer Case Shift |
| 13 | 53005154 | 1 | J | | | | | | GASKET, Gearshift Control Rod |
| 14 | 34201277 | 2 | J | | | | | | SCREW, Hex Head, M5x0.8x16.00 |
| 15 | 06032518 | 2 | J | | | | | | SCREW AND WASHER, Hex Head, .250-14x.75 |
| 16 | | | | | | | | | ROD, Gear Shift Control, Transfer Case |

GRAND CHEROKEE (ZJ)

SERIES LINE
L = LOWLINE T = JEEP - 2WD
J = JEEP - 4WD

BODY
74 = SPORT UTILITY 4-DR

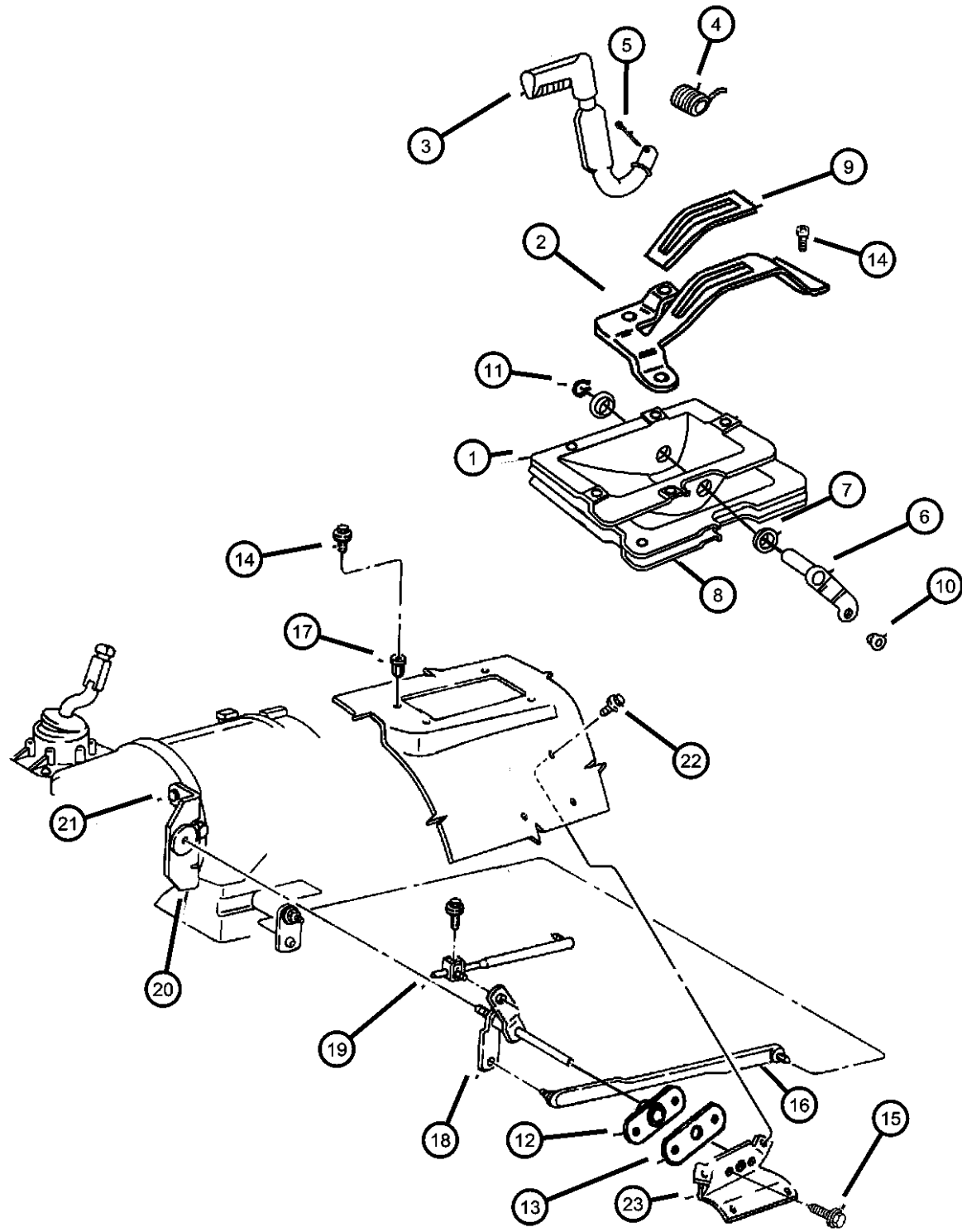
ENGINE
ELF = 5.2L V8 MPI Engine
EML = 5.9L V8 MPI Engine
ERH = 4.0L Power Tech I-6 Engine

TRANSMISSION
DGK = 4-Spd. Automatic 42RE Transmission
DGW = 4-Spd. Automatic 4RE Transmission
DG0 = Transmissions - All Automatic

AR = use ase required - = Non illustrated part

1997 ZJ

Controls Shift [DHR]
Figure 249-1210



| ITEM | PART NUMBER | QTY | LINE | SERIES | BODY | ENGINE | TRANS | TRIM | DESCRIPTION |
|------|-------------|-----|------|--------|------|----------|-------|------|---|
| | 52078116 | 1 | J | | | ER0 | DGK | | |
| | 52078809 | 1 | J | | | EL0, EM0 | DGW | | |
| 17 | 52078809 | 1 | | | | | | | CAMS Unknown, RIVET-NUT (DNS) ***, (NOT SERVICED) |
| 18 | 52078665 | 1 | J | | | | | | TORQUE SHAFT, Transfer Case, Transfer Case Shaft |
| 19 | 52078113 | 1 | J | | | | | | ROD, Gear Shift Control, Transfer Case, Gear Selector |
| 20 | | | | | | | | | BRACKET, Torque Shaft |
| | 52104221 | 1 | J | | | EL0, EM0 | DGW | | |
| | 52104222 | 1 | J | | | ER0 | DGK | | |
| 21 | J4006681 | 6 | J | | | | | | NUT AND CONED WASHER, Hex, .375-24 |
| 22 | 06503809 | 4 | J | | | | | | SCREW |
| 23 | 52078022 | 1 | J | | | | | | BRACKET, Torque Bearing |
| -24 | | | | | | | | | SHIFTER, Transfer Case |
| | 52104145 | 1 | J | | | EL0, ER0 | | | |
| | 52104160 | 1 | J | | | EM0 | | | |

GRAND CHEROKEE (ZJ)

SERIES LINE
L = LOWLINE T = JEEP - 2WD
J = JEEP - 4WD

BODY
74 = SPORT UTILITY 4-DR

ENGINE
ELF = 5.2L V8 MPI Engine
EML = 5.9L V8 MPI Engine
ERH = 4.0L Power Tech I-6 Engine

TRANSMISSION
DGK = 4-Spd. Automatic 42RE Transmission
DGW = 4-Spd. Automatic 4RE Transmission
DG0 = Transmissions - All Automatic

AR = use ase required - = Non illustrated part

1997 ZJ

Group - 21P

Speedometer Pinions

Group - 21P Speedometer Pinions

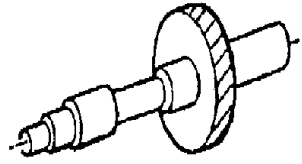
Group-Fig. No.

Illustration Title

Speedometer Pinions

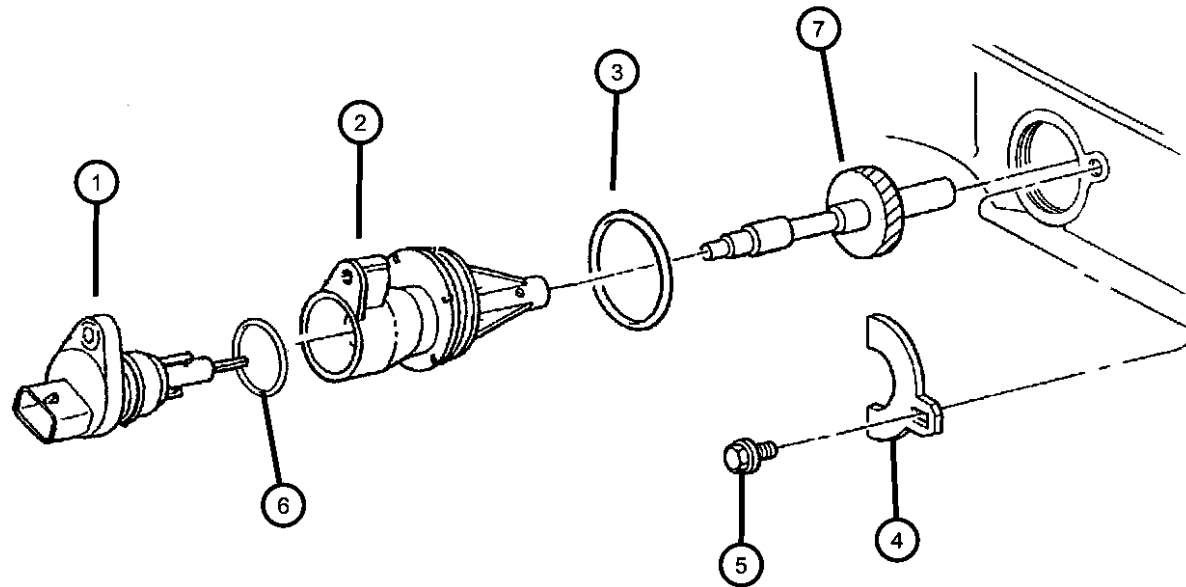
Speedometer Pinion Fig. 21P - 120

21P-100
Speedometer Pinions



Speedometer Pinion Figure 21P-120

| ITEM | PART NUMBER | QTY | LINE | SERIES | BODY | ENGINE | TRANS | TRIM | DESCRIPTION |
|------|-------------|-----|------|--------|------|--------|-------|------|--|
| 1 | 56028183 | 1 | | | | | | | SENSOR, Vehicle Speed, Distance |
| 2 | 52069315 | 1 | | | | | | | HOUSING, Speedometer Drive Gear |
| 3 | 06035709 | 1 | | | | | | | O RING, Trans Speedo Adapter |
| 4 | 02892399 | 1 | | | | | | | CLAMP, Speedometer, Speed Drive Housing |
| 5 | 00180077 | 1 | | | | | | | BOLT, Hex Head, 5/16x18x3/4, Speed Drive |
| 6 | 56028182 | 1 | | | | | | | O RING, Speed Sensor |
| 7 | | | | | | | | | PINION, Speedometer Drive |
| | 52067633 | 1 | | | | | | | With 33 Teeth |
| | 52067634 | 1 | | | | | | | With 34 Teeth |
| | 52067635 | 1 | | | | | | | With 35 Teeth |
| | 52067636 | 1 | | | | | | | With 36 Teeth |
| | 52067637 | 1 | | | | | | | With 37 Teeth |



GRAND CHEROKEE (ZJ)

| | |
|-------------|----------------|
| SERIES | LINE |
| L = LOWLINE | T = JEEP - 2WD |
| | J = JEEP - 4WD |

BODY
74 = SPORT UTILITY 4-DR

ENGINE
ELF = 5.2L V8 MPI Engine
EML = 5.9L V8 MPI Engine
ERH = 4.0L Power Tech I-6 Engine

TRANSMISSION
DGK = 4-Spd. Automatic 42RE Transmission
DGW = 4-Spd. Automatic 4RE Transmission
DG0 = Transmissions - All Automatic

AR = use ase required - = Non illustrated part

Group - 22

Wheels, Covers and Jacks

Group - 22 Wheels, Covers and Jacks

Illustration Title

Group-Fig. No.

Wheels and Hardware

Wheels And HardwareFig. 22 - 130

Wheel Covers and Center Caps

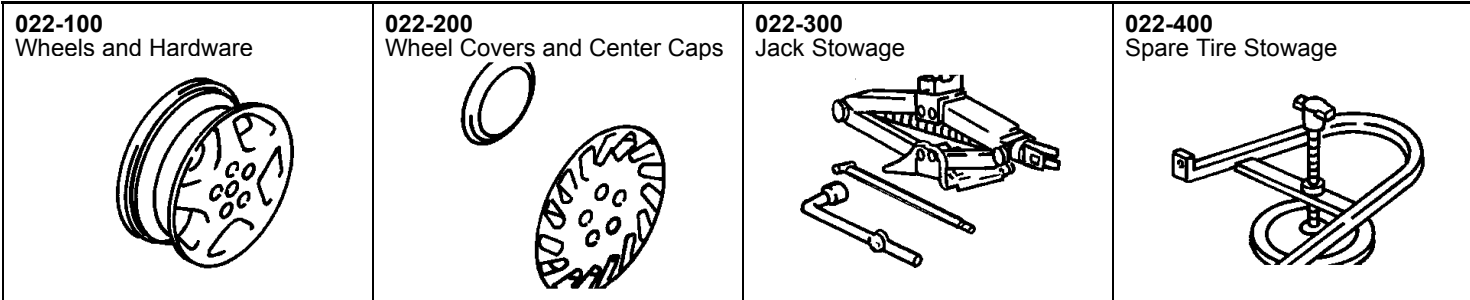
Caps, Wheel Cover, CenterFig. 22 - 230

Jack Stowage

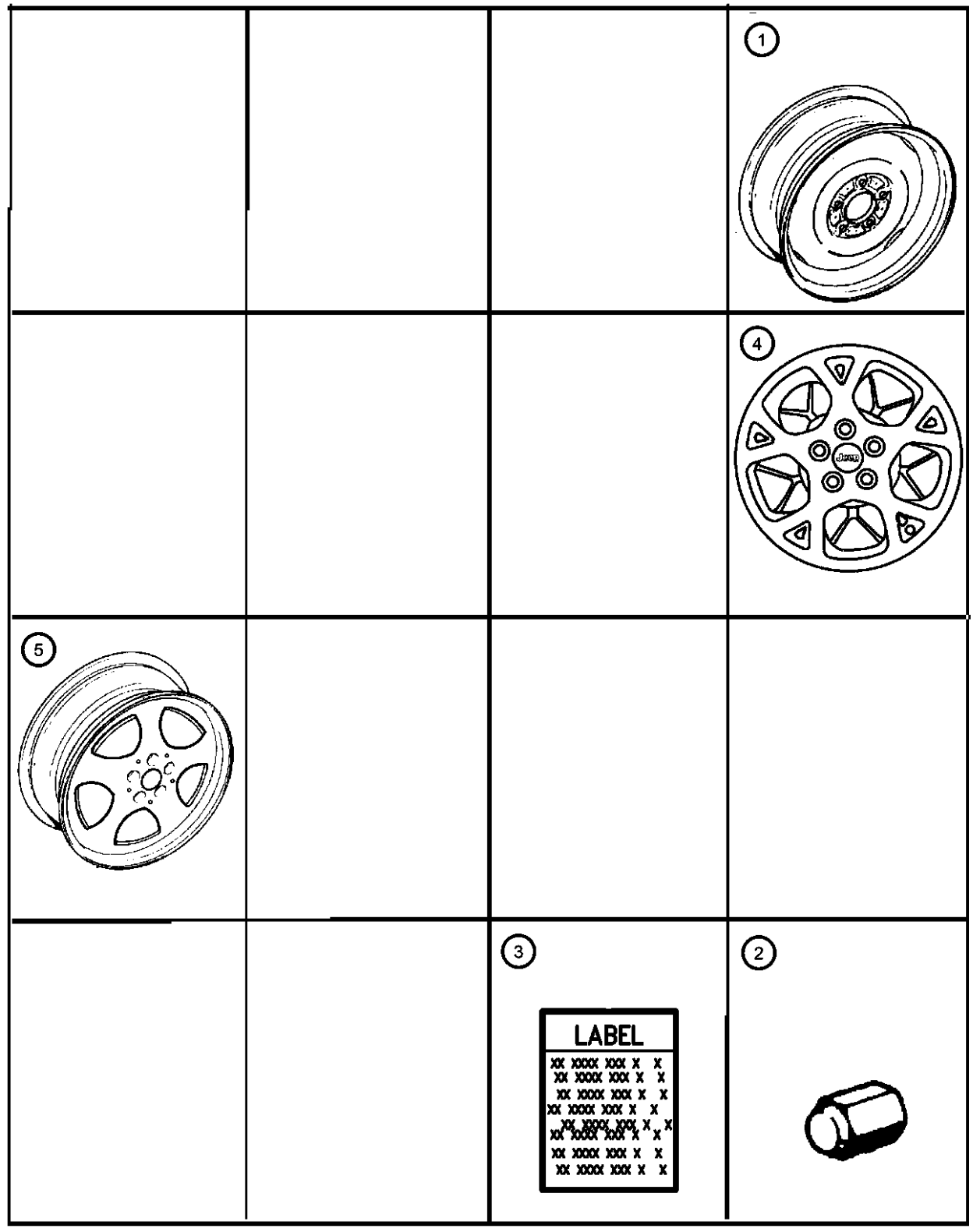
Jack And StorageFig. 22 - 330

Spare Tire Stowage

Wheel, Spare Inside MountingFig. 22 - 460



Wheels And Hardware
Figure 22-130



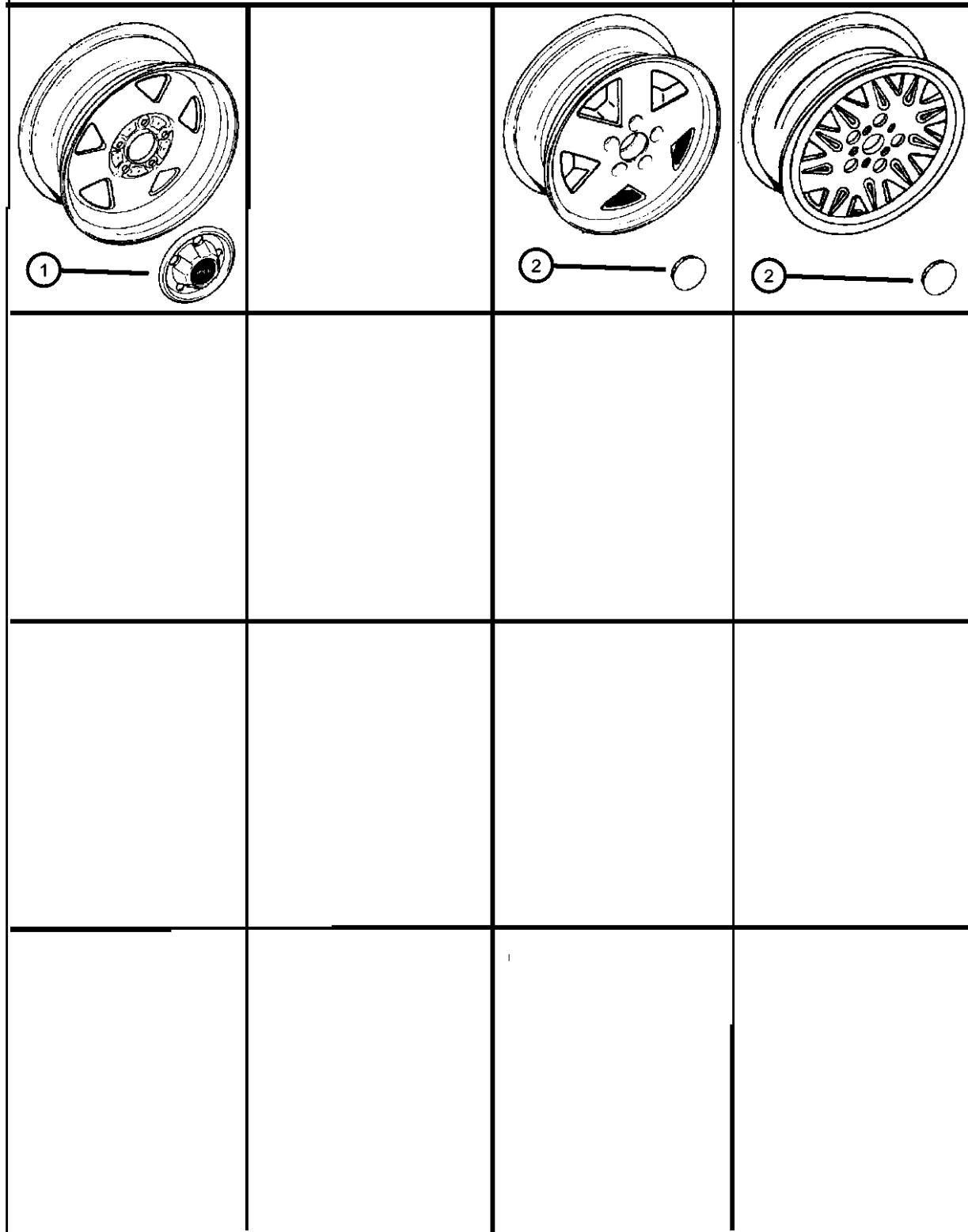
| ITEM | PART NUMBER | QTY | LINE | SERIES | BODY | ENGINE | TRANS | TRIM | DESCRIPTION |
|------|-------------|-----|------|--------|------|--------|-------|------|---|
| 1 | 52000019 | 1 | | | | | | | WHEEL, Spare, 16x4.0 Compact Spare |
| 2 | J4006956 | 20 | | | | | | | NUT, Wheel, .50x20, w/Cap, Wheel Lug |
| 3 | 52088505 | AR | | | | | | | LABEL, Tire Pressure, Tire Pressure |
| 4 | | | | | | | | | WHEEL, Aluminum |
| | 04886090AA | 4 | | | | | | | 16x7.0 Silver (WDR) |
| | 04886094AA | 4 | | | | | | | 16x7.0 Gold (WDM) |
| | 5DV33SJN | 4 | | | | | | | 16x7.0 Green (WDN) |
| | 5EH52PAK | 4 | | | | | | | 16x7.0 Silver (WDP) |
| | 5DV33TAE | 4 | | | | | | | 16x7.0 Dark Silver (WDR) |
| | 5FG56PAK | 4 | | | | | | | 16x7.0 Aluminum (WDU) Stamped USA |
| | 5FG56PAKAB | 4 | | | | | | | 16x7.0 Aluminum (WDU) Stamped Italy |
| 5 | 5FA15SS7 | 1 | | | | | | | WHEEL, Aluminum, 15x7.0 Dark Silver (WJ6,WJZ) |
| -6 | 02073355 | 4 | | | | | | | STEM, Wheel Valve, Valve 11/2" |

GRAND CHEROKEE (ZJ)

| | | | | |
|-------------|----------------|-------------------------|----------------------------------|-------------------------------------|
| SERIES | LINE | BODY | ENGINE | TRANSMISSION |
| L = LOWLINE | T = JEEP - 2WD | 74 = SPORT UTILITY 4-DR | ELF = 5.2L V8 MPI Engine | DGK = 4-Spd. Automatic 42RE |
| | J = JEEP - 4WD | | EML = 5.9L V8 MPI Engine | Transmission |
| | | | ERH = 4.0L Power Tech I-6 Engine | DGW = 4-Spd. Automatic 4RE |
| | | | | Transmission |
| | | | | DG0 = Transmissions - All Automatic |

AR = use ase required - = Non illustrated part

Caps, Wheel Cover, Center
Figure 22-230



| ITEM | PART NUMBER | QTY | LINE | SERIES | BODY | ENGINE | TRANS | TRIM | DESCRIPTION |
|------|-------------|-----|------|--------|------|--------|-------|------|--|
| 1 | 52005732 | 4 | | | | | | | CAP, Wheel Center [WJ6,WJZ] |
| | 5DY07TAK | 4 | | | | | | | [WDU] |
| 2 | 52089010AB | 4 | | | | | | | CAP, Wheel Center, Machine Finish Aluminum, [WDP] |
| -3 | 5CF97L3X | 4 | | | | | | | CAP, Wheel Center, Brushed Aluminum "Jeep" Name, [WDM,WDN,WDR] |

GRAND CHEROKEE (ZJ)

SERIES LINE
L = LOWLINE T = JEEP - 2WD
 J = JEEP - 4WD

BODY
74 = SPORT UTILITY 4-DR

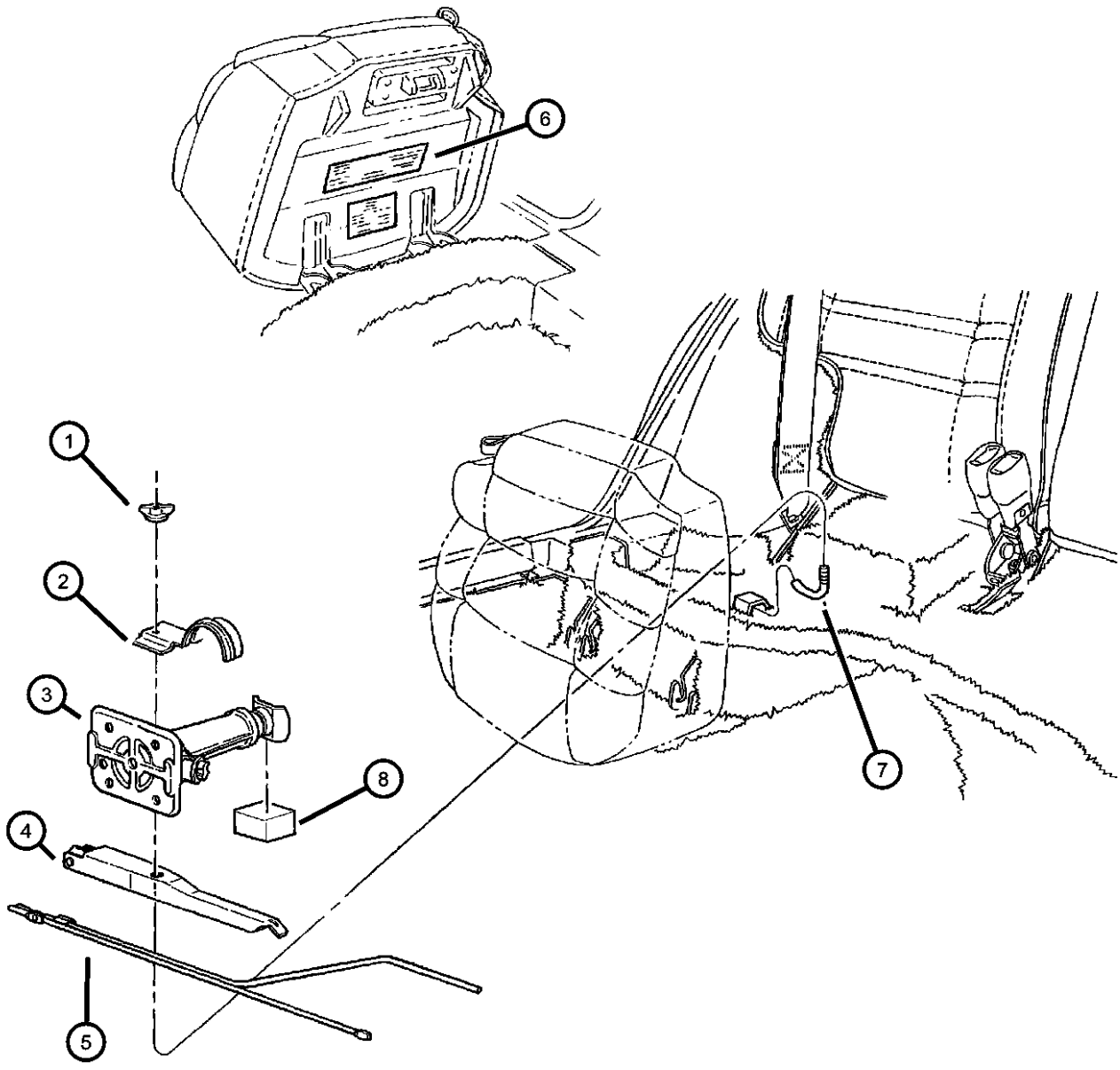
ENGINE
ELF = 5.2L V8 MPI Engine
EML = 5.9L V8 MPI Engine
ERH = 4.0L Power Tech I-6
Engine

TRANSMISSION
DGK = 4-Spd. Automatic 42RE
Transmission
DGW = 4-Spd. Automatic 4RE
Transmission
DG0 = Transmissions - All Automatic

AR = use ase required - = Non illustrated part

**Jack And Storage
Figure 22-330**

| ITEM | PART NUMBER | QTY | LINE | SERIES | BODY | ENGINE | TRANS | TRIM | DESCRIPTION |
|------|-------------|-----|------|--------|------|--------|-------|------|--|
| 1 | 34201676 | 1 | | | | | | | WINGNUT, Jack and Tire Hold Down, Jack Mtg. Wing |
| 2 | 52005581 | 1 | | | | | | | BRACKET, Jack, Jack Hold Down |
| 3 | 52088450 | 1 | | | | | | | JACK |
| 4 | 52003583 | 1 | | | | | | | WRENCH, Wheel Lug Nut, Wheel Lug Nut |
| 5 | 52000221 | 1 | | | | | | | HANDLE, Jack, Jack Crank |
| 6 | 52000221 | 1 | | | | | | | LABEL, Jack And Tire Stowage, (NOT SERVICED) |
| 7 | 52005582 | 1 | | | | | | | BOLT, Jack, Jack Hold Down |
| 8 | 52087666 | 1 | | | | | | | PAD, Jacking, Jack Block Rubber |



GRAND CHEROKEE (ZJ)

SERIES LINE
 L = LOWLINE T = JEEP - 2WD
 J = JEEP - 4WD

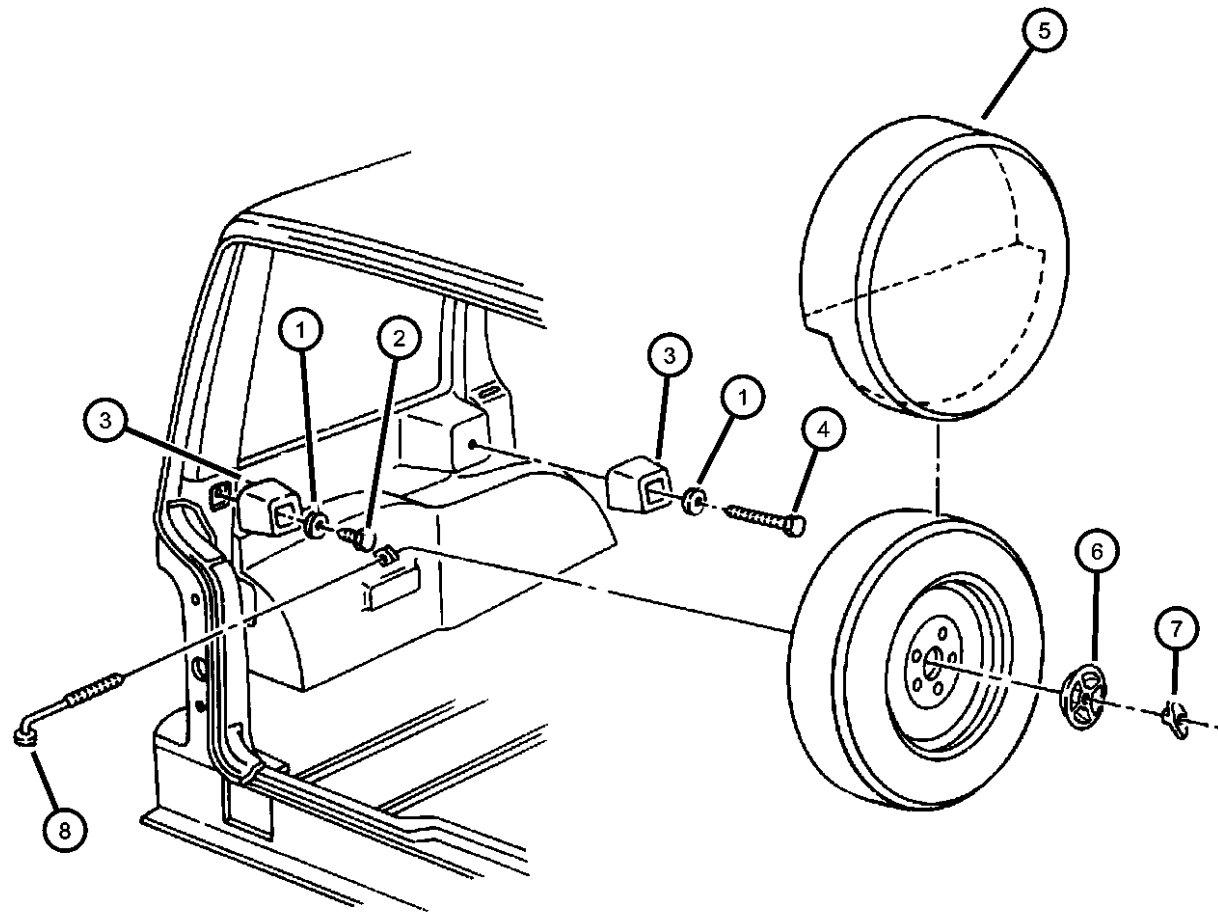
BODY
 74 = SPORT UTILITY 4-DR

ENGINE
 ELF = 5.2L V8 MPI Engine
 EML = 5.9L V8 MPI Engine
 ERH = 4.0L Power Tech I-6 Engine

TRANSMISSION
 DGK = 4-Spd. Automatic 42RE Transmission
 DGW = 4-Spd. Automatic 4RE Transmission
 DG0 = Transmissions - All Automatic

AR = use ase required - = Non illustrated part

**Wheel, Spare Inside Mounting
Figure 22-460**



| ITEM | PART NUMBER | QTY | LINE | SERIES | BODY | ENGINE | TRANS | TRIM | DESCRIPTION |
|------|-------------|-----|------|--------|------|--------|-------|------|---|
| 1 | 06100876 | 2 | | | | | | | WASHER, Flat, M6.82x17.00x1.75 |
| 2 | 06034576 | 1 | | | | | | | SCREW, Hex Flange Head, .25-14x1.00, Bumper, Rear |
| 3 | 55027231 | 2 | | | | | | | BUMPER, Spare Tire Impact, Full Size Tire |
| 4 | 06503456 | 1 | | | | | | | SCREW, Hex Flange Head, M6x1x90, Bumper, Front |
| 5 | | | | | | | | | COVER, Inside Spare Tire |
| | 5EK90SAZ | 1 | | | | | | | Agate, (TBG) T155 |
| | 5EK90SC3 | 1 | | | | | | | Mist Gray, (TBG) T155 |
| | 5EK90ST6 | 1 | | | | | | | Spice Tan, (TBG) T155 |
| | 5EK91SAZ | 1 | | | | | | | Agate, (TM0) P215 |
| | 5EK91SC3 | 1 | | | | | | | Mist Gray, (TM0) P215 |
| | 5EK91ST6 | 1 | | | | | | | Spice Tan, (TM0) P215 |
| | 5EK92SAZ | 1 | | | | | | | Agate, (TRT,TRL) P225 |
| | 5EK92SC3 | 1 | | | | | | | Mist Gray, (TRT,TRL) P225 |
| | 5EK92ST6 | 1 | | | | | | | Spice Tan, (TRT,TRL) P225 |
| | 5EK93SAZ | 1 | | | | | | | Agate, (TY0) P245 |
| | 5EK93SC3 | 1 | | | | | | | Mist Gray, (TY0) P245 |
| | 5EK93ST6 | 1 | | | | | | | Spice Tan, (TY0) P245 |
| | 5FC41STJ | 1 | | | | | | | Orvis, (TRD) |
| 6 | 52087669 | 1 | | | | | | | CUP, Spare Tire Retention, Spare Tire Retention *** |
| 7 | 06503070 | 1 | | | | | | | WINGNUT, Jack and Tire Hold Down, Tire Secure Bolt Wing |
| 8 | 52058965 | 1 | | | | | | | J BOLT, Spare Tire Hold Down, Spare Tire |

GRAND CHEROKEE (ZJ)

SERIES LINE
L = LOWLINE T = JEEP - 2WD
 J = JEEP - 4WD

BODY
74 = SPORT UTILITY 4-DR

ENGINE
ELF = 5.2L V8 MPI Engine
EML = 5.9L V8 MPI Engine
ERH = 4.0L Power Tech I-6 Engine

TRANSMISSION
DGK = 4-Spd. Automatic 42RE Transmission
DGW = 4-Spd. Automatic 4RE Transmission
DG0 = Transmissions - All Automatic

AR = use ase required - = Non illustrated part

1997 ZJ

Group - 23D

Wiper/Lock Cylinder and Keys

Group - 23D Wiper/Lock Cylinder and Keys

Group-Fig. No.

Illustration Title

Lock Cylinders and Keys

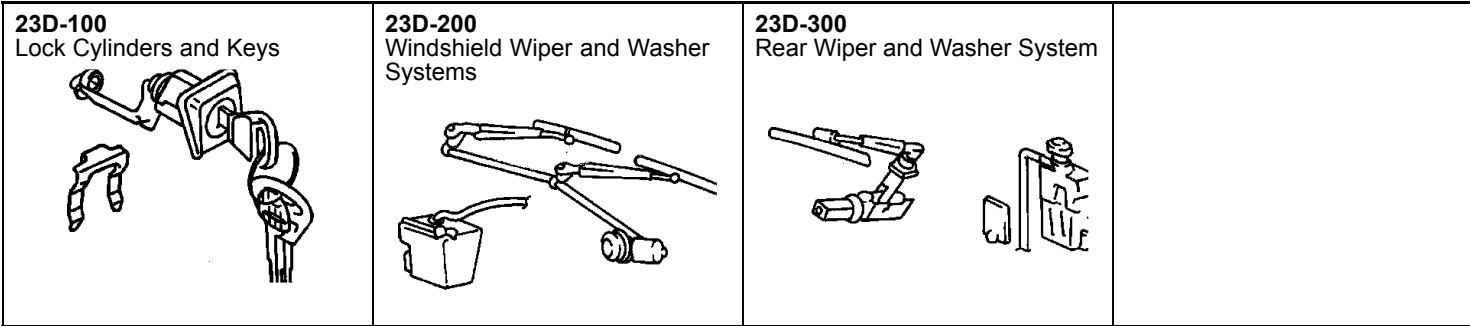
Lock Cylinders & Keys.....Fig. 23D - 130

Windshield Wiper and Washer Systems

Windshield Wiper & Washer.....Fig. 23D - 230

Rear Wiper and Washer System

Rear Wiper & Washer.....Fig. 23D - 330



**Lock Cylinders & Keys
Figure 23D-130**

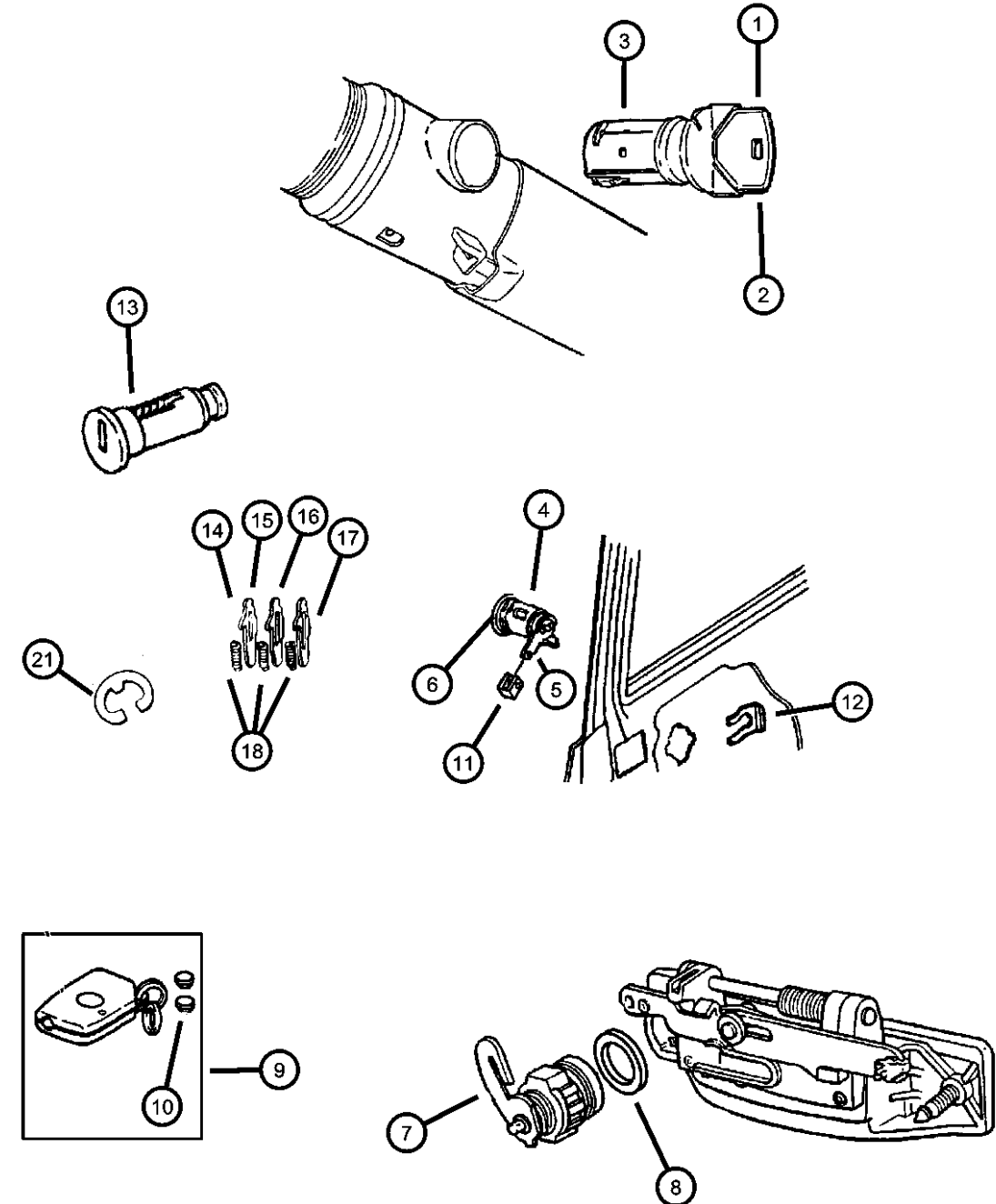
| ITEM | PART NUMBER | QTY | LINE | SERIES | BODY | ENGINE | TRANS | TRIM | DESCRIPTION |
|------|-------------|-----|------|--------|------|--------|-------|------|-------------|
|------|-------------|-----|------|--------|------|--------|-------|------|-------------|

NOTE: ALL CYLINDERS ARE UNCODED

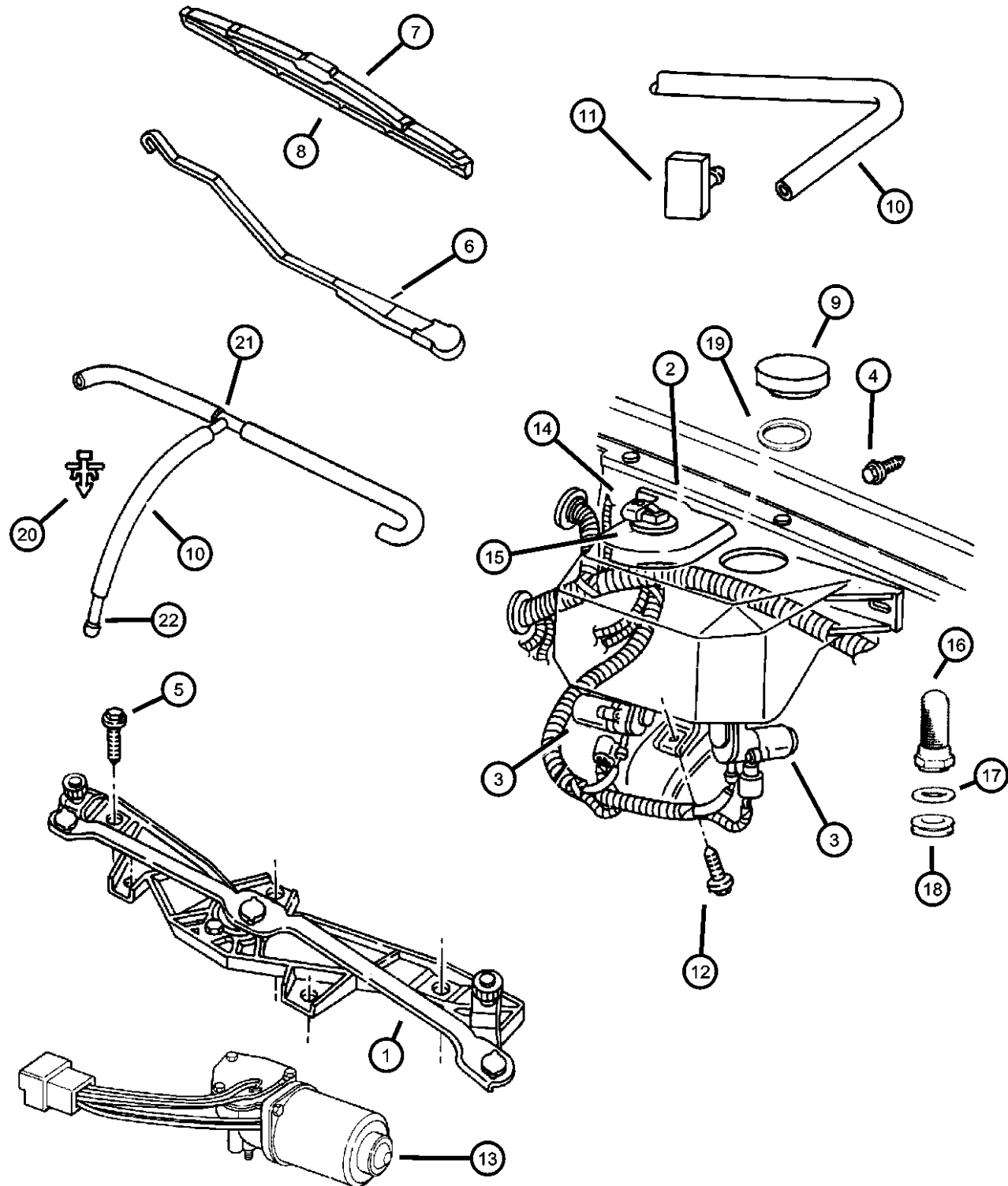
| | | | | | | | | | |
|-----|------------|---|--|--|--|--|--|--|---|
| 1 | 04746316 | 2 | | | | | | | KEY, Blank |
| 2 | 55075488 | 2 | | | | | | | KEY, Valet |
| 3 | 04897986AA | 1 | | | | | | | CYLINDER, Ignition Lock |
| 4 | 04864651 | 1 | | | | | | | CYLINDER, Door Lock |
| 5 | 55075824 | 1 | | | | | | | LEVER, Door Lock Cylinder |
| 6 | 55295864 | 2 | | | | | | | GASKET, Door Lock Cylinder, Black |
| 7 | 55075838 | 1 | | | | | | | LEVER, Liftgate Lock Cylinder |
| 8 | 55295864 | 2 | | | | | | | GASKET, Door Lock Cylinder, Black |
| 9 | | | | | | | | | TRANSMITTER, Keyless Entry |
| | 56008761 | 1 | | | | | | | Driver 1 (stamped 1 on backside) |
| | 56008762 | 1 | | | | | | | Driver 2 (stamped 2 on backside) |
| 10 | 83504802 | 2 | | | | | | | BATTERY, Transmitter |
| 11 | 83504802 | 2 | | | | | | | CLIP, Door Lock, CLIP (Serviced in Key Cylinder Assembly), (NOT SERVICED) |
| 12 | | | | | | | | | RETAINER, Door Lock Cylinder |
| | 55296030 | 1 | | | | | | | Right |
| | 55296031 | 1 | | | | | | | Left |
| 13 | 04874919 | 1 | | | | | | | CYLINDER, Glove Box Lock, Glovebox Lock |
| 14 | 04778117 | 1 | | | | | | | TUMBLER, Door and Deck Number 1, Wide |
| 15 | 04778118 | 1 | | | | | | | TUMBLER, Door and Deck Number 2, Wide |
| 16 | 04778119 | 1 | | | | | | | TUMBLER, Door and Deck Number 3, Wide |
| 17 | 04778120 | 1 | | | | | | | TUMBLER, Door and Deck Number 4, Wide |
| 18 | 04746873 | 1 | | | | | | | SPRING, Lock Cylinder Tumbler |
| -19 | 04882178 | 2 | | | | | | | CAP, Door Lock Cylinder |
| -20 | 04480116 | 1 | | | | | | | RETAINER, Lock Cylinder, Door/Liftgate |
| 21 | 06026125 | 1 | | | | | | | CLIP, Cylinder Retainer, Snap "E" Type (Door/Liftgate) *** |
| -22 | | | | | | | | | CLIP, Latch |
| | 04658444 | 1 | | | | | | | Purple |
| | 04658445 | 1 | | | | | | | Orange |
| -23 | 55075837 | 1 | | | | | | | LOCK CYLINDER, Complete |

| | | | | |
|----------------------------|----------------------------------|-------------------------|--|--|
| GRAND CHEROKEE (ZJ) | | | | |
| SERIES | LINE | BODY | ENGINE | TRANSMISSION |
| L = LOWLINE | T = JEEP - 2WD J = JEEP - 4WD | 74 = SPORT UTILITY 4-DR | ELF = 5.2L V8 MPI Engine EML = 5.9L V8 MPI Engine ERH = 4.0L Power Tech I-6 Engine | DGK = 4-Spd. Automatic 42RE Transmission DGW = 4-Spd. Automatic 4RE Transmission DG0 = Transmissions - All Automatic |

AR = use ase required - = Non illustrated part



**Windshield Wiper & Washer
Figure 23D-230**



| ITEM | PART NUMBER | QTY | LINE | SERIES | BODY | ENGINE | TRANS | TRIM | DESCRIPTION |
|------|-----------------|-----|------|--------|------|--------|-------|------|--|
| 1 | 55155209 | 1 | | | | | | | PIVOT AND LINKAGE, Wiper, Motor Included |
| 2 | | | | | | | | | RESERVOIR, Washer |
| | 04798972 | 1 | | | | | | | W/O Vehicle Monitor |
| | 04798973 | 1 | | | | | | | W/ Vehicle Monitor |
| 3 | 04713733 | 2 | | | | | | | PUMP PACKAGE, Washer, Windshield |
| 4 | 04713733 | 2 | | | | | | | SCREW, .250-14x.875, (NOT SERVICED) |
| 5 | 06100568 | 5 | | | | | | | BOLT AND WASHER, Implement Attaching, Linkage Attaching |
| 6 | 55154983AB | 2 | | | | | | | ARM, Wiper |
| 7 | | | | | | | | | BLADE, Wiper |
| | 56005186AB | 2 | | | | | | | W/Refill LHD |
| | WBFLAT03AA | | | | | | | | Mopar Alternative Flat Blade Set |
| | WBW00020AD | | | | | | | | Mopar Alternative Winter Wiper Blades |
| | WB000020AE | | | | | | | | Mopar V-Line Alternative Part |
| | WB- BLU020AA | | | | | | | | Mopar Alternative Color Wiper Blade (Blue) |
| | WBRED020AA | | | | | | | | Mopar Alternative Color Wiper Blade (Red) |
| | WBYEL020AA | | | | | | | | Mopar Alternative Color Wiper Blade (Yellow) |
| | WB- WHI020AA | | | | | | | | Mopar Alternative Color Wiper Blade (White) |
| | WB- CAR020AA | | | | | | | | Mopar Alternative Color Wiper Blade (Carbon Fiber) |
| | 56005186AC | 2 | | | | | | | W/Refill RHD |
| 8 | 04773417 | 1 | | | | | | | REFILL, Wiper Blade |
| | WB00000BAA | | | | | | | | Mopar V-Line Alternative Part |
| 9 | 04798974 | 1 | | | | | | | CAP, Washer Reservoir |
| 10 | 55154690 | 1 | | | | | | | HOSE, Windshield Washer, Washer |
| 11 | 56005414 | 2 | | | | | | | NOZZLE, Washer, Windshield |
| 12 | 56005414 | 2 | | | | | | | SCREW, .250-14x.875, (NOT SERVICED) |
| 13 | 04874839 | 1 | | | | | | | MOTOR, Wiper, Wiper |
| | R4874839 | | | | | | | | Mopar Remanufactured Part |
| 14 | 55154979 | 1 | | | | | | | SENSOR, Washer Fluid Level |
| 15 | 04798779 | 1 | | | | | | | GROMMET, Windshield Washer Pump |

GRAND CHEROKEE (ZJ)

SERIES LINE
L = LOWLINE T = JEEP - 2WD
 J = JEEP - 4WD

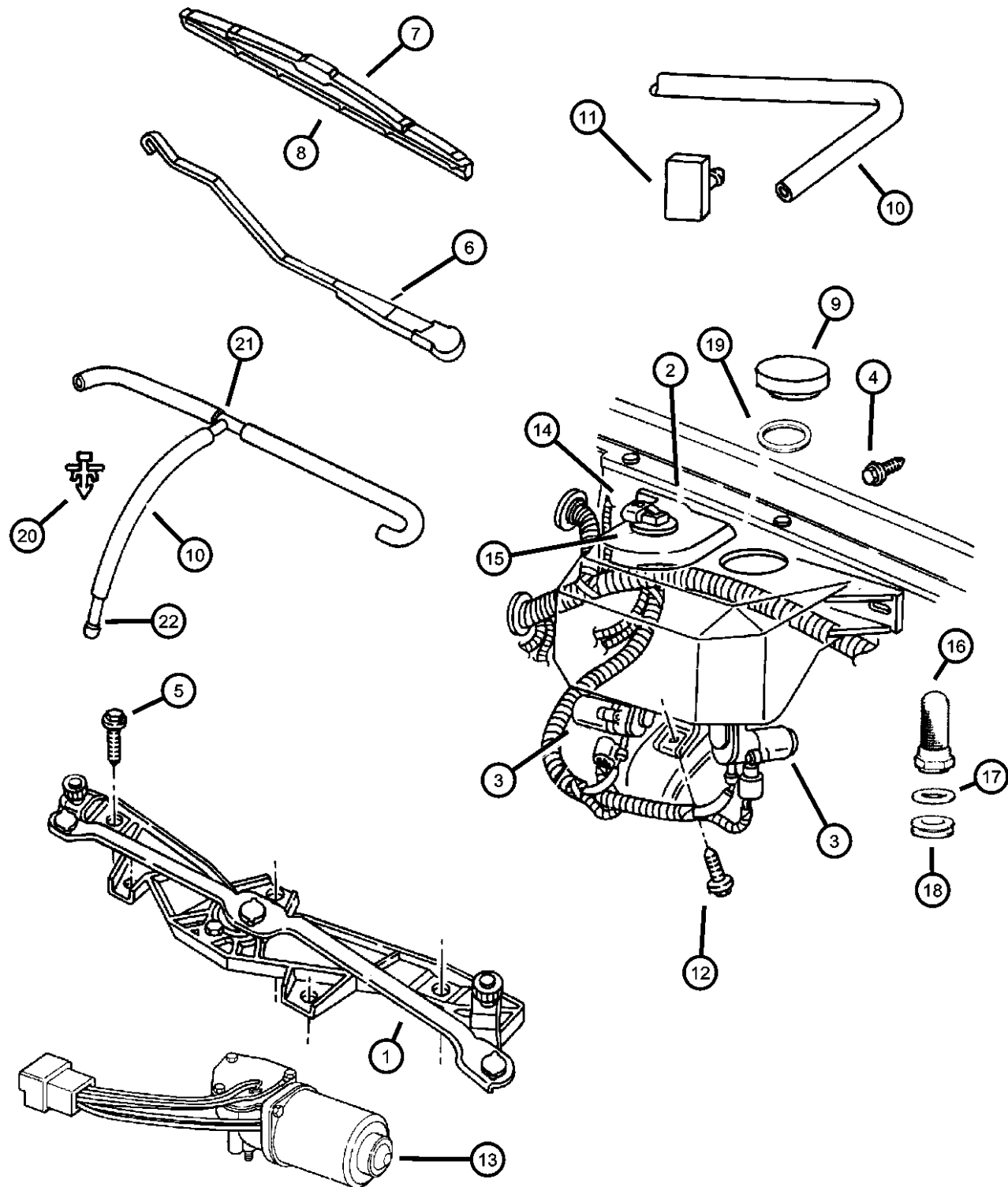
BODY
74 = SPORT UTILITY 4-DR

ENGINE
ELF = 5.2L V8 MPI Engine
EML = 5.9L V8 MPI Engine
ERH = 4.0L Power Tech I-6
Engine

TRANSMISSION
DGK = 4-Spd. Automatic 42RE
Transmission
DGW = 4-Spd. Automatic 4RE
Transmission
DG0 = Transmissions - All Automatic

AR = use ase required - = Non illustrated part

**Windshield Wiper & Washer
Figure 23D-230**



| ITEM | PART NUMBER | QTY | LINE | SERIES | BODY | ENGINE | TRANS | TRIM | DESCRIPTION |
|------|-------------|-----|------|--------|------|--------|-------|------|---|
| 16 | 56000593 | 2 | | | | | | | NUT, Washer Pump Filter |
| 17 | 56000594 | 2 | | | | | | | WASHER, Wiper Reservoir Sensor |
| 18 | 56000592 | 2 | | | | | | | SEAL, Washer Pump Filter |
| 19 | 55154980 | 1 | | | | | | | GASKET, Washer Reservoir Cap |
| 20 | J3210891 | 1 | | | | | | | TEE, Washer Hose, Hose |
| 21 | 04334799 | 1 | | | | | | | CONNECTOR, Washer Hose, In Line, Hose, (3/16) |
| 22 | 04334799 | 1 | | | | | | | CONNECTOR, Washer Hose, In Line |

GRAND CHEROKEE (ZJ)

SERIES LINE
 L = LOWLINE T = JEEP - 2WD
 J = JEEP - 4WD

BODY
 74 = SPORT UTILITY 4-DR

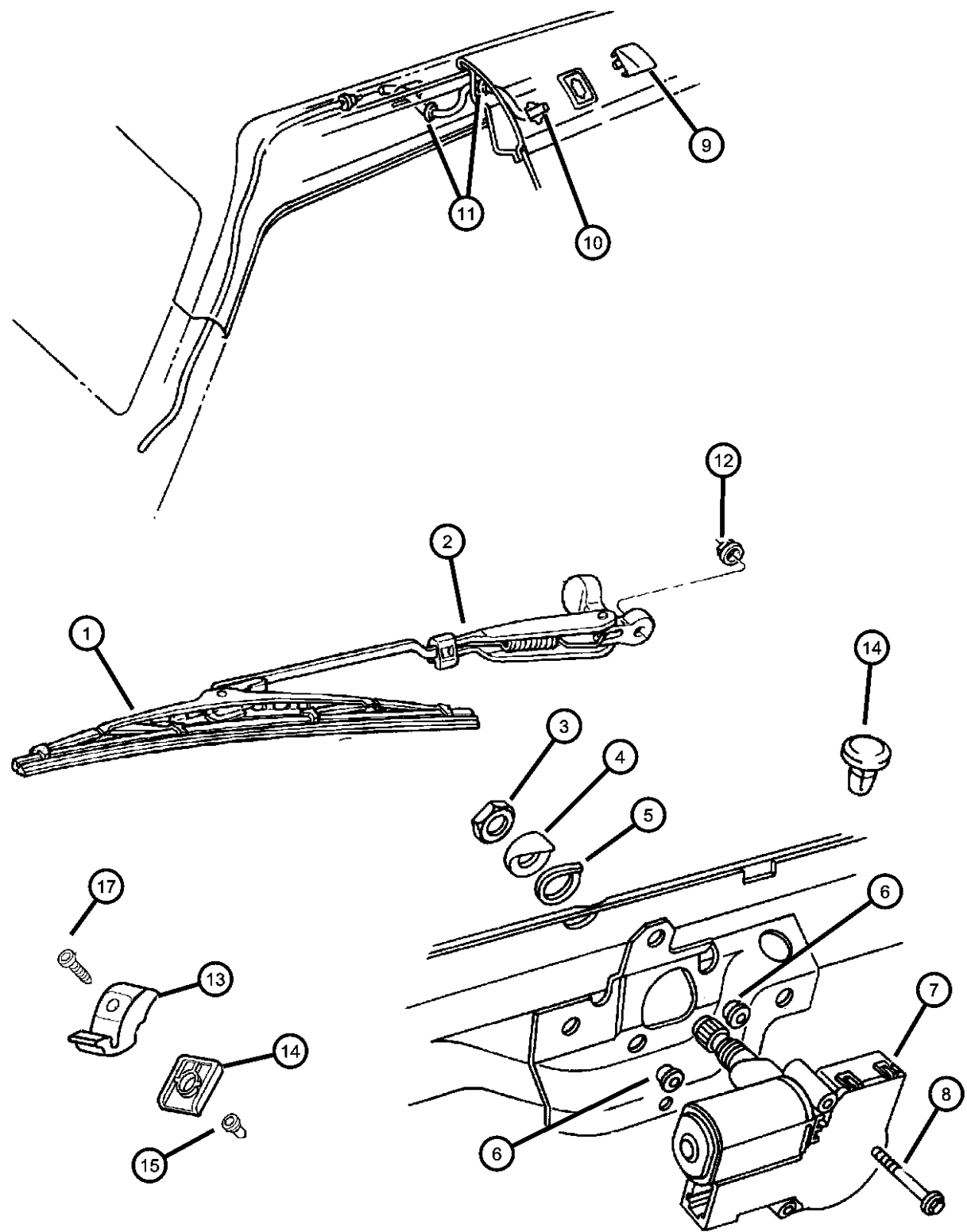
ENGINE
 ELF = 5.2L V8 MPI Engine
 EML = 5.9L V8 MPI Engine
 ERH = 4.0L Power Tech I-6 Engine

TRANSMISSION
 DGK = 4-Spd. Automatic 42RE Transmission
 DGW = 4-Spd. Automatic 4RE Transmission
 DG0 = Transmissions - All Automatic

AR = use ase required - = Non illustrated part

1997 ZJ

Rear Wiper & Washer
Figure 23D-330



| ITEM | PART NUMBER | QTY | LINE | SERIES | BODY | ENGINE | TRANS | TRIM | DESCRIPTION |
|------|-------------|-----|------|--------|------|--------|-------|------|---|
| 1 | 55155454 | 1 | | | | | | | BLADE, Wiper, with Refill, No refill serviced |
| | WBRW0011AB | | | | | | | | Mopar V-Line Alternative Part |
| | WB000012AE | | | | | | | | Mopar V-Line Alternative Part |
| 2 | 55154966AB | 1 | | | | | | | ARM, Wiper |
| 3 | 06502263 | 1 | | | | | | | NUT, Hex, M20x1.00 |
| 4 | 56005200 | 1 | | | | | | | BEZEL, Liftgate Wiper Motor, Arm Mounting |
| 5 | 56005201 | 1 | | | | | | | GASKET, Rear Wiper Motor, Arm Mounting |
| 6 | 06503056 | 2 | | | | | | | NUT, Round, M6 x 1.00 |
| 7 | 55155040 | 1 | | | | | | | MOTOR, Wiper |
| | R5155040 | | | | | | | | Mopar Remanufactured Part |
| 8 | 06502727 | AR | | | | | | | SCREW, Hex Flange Head, M6x1x60 |
| 9 | 55154987 | 1 | | | | | | | NOZZLE, Washer, Windshield, W/Seal |
| 10 | 56005793 | 1 | | | | | | | TUBE, Washer |
| 11 | 55154622 | 2 | | | | | | | GROMMET, Washer Tube |
| 12 | 06500165 | 1 | | | | | | | NUT, Wiper Arm |
| 13 | 55154957 | 1 | | | | | | | RAMP, Wiper Park |
| 14 | 55154971 | 1 | | | | | | | GASKET, Wiper Park Ramp |
| 15 | 06504363 | 1 | | | | | | | NUT/RIVET, Round, M6.00 x 1.00 x 15.00 |
| -16 | 55155024 | 1 | | | | | | | CHECK VALVE, Washer |
| 17 | 06503077 | 1 | | | | | | | SCREW, M6x1x25 |
| -18 | 05014217AA | 1 | | | | | | | COVER, Rear Wiper Motor |

GRAND CHEROKEE (ZJ)

SERIES LINE
L = LOWLINE T = JEEP - 2WD
J = JEEP - 4WD

BODY
74 = SPORT UTILITY 4-DR

ENGINE
ELF = 5.2L V8 MPI Engine
EML = 5.9L V8 MPI Engine
ERH = 4.0L Power Tech I-6 Engine

TRANSMISSION
DGK = 4-Spd. Automatic 42RE Transmission
DGW = 4-Spd. Automatic 4RE Transmission
DG0 = Transmissions - All Automatic

AR = use ase required - = Non illustrated part

1997 ZJ

Group - 24

Air Conditioning & Heater

Group - 24 Air Conditioning & Heater

Illustration Title

Group-Fig. No.

Air Conditioner and Heater Units

| | |
|---------------------------------|---------------|
| Air Conditioning Unit | Fig. 24 - 160 |
| Air Conditioning Unit ATC | Fig. 24 - 170 |

Air Conditioner and Heater Plumbing

| | |
|---|---------------|
| Hoses, Heater 4.0L Engine | Fig. 24 - 240 |
| Hoses, Heater 5.2L And 5.9L Engine | Fig. 24 - 245 |
| Accumulator, Condensor And Lines 4.0L Engine | Fig. 24 - 250 |
| Accumulator, Condensor And Lines 5.2L And 5.9L Engine | Fig. 24 - 255 |

Air Conditioner and Heater Controls

| | |
|--------------------------------------|---------------|
| Control, With Air Conditioning | Fig. 24 - 320 |
| Control, With ATC | Fig. 24 - 330 |

Air Conditioning Compressor

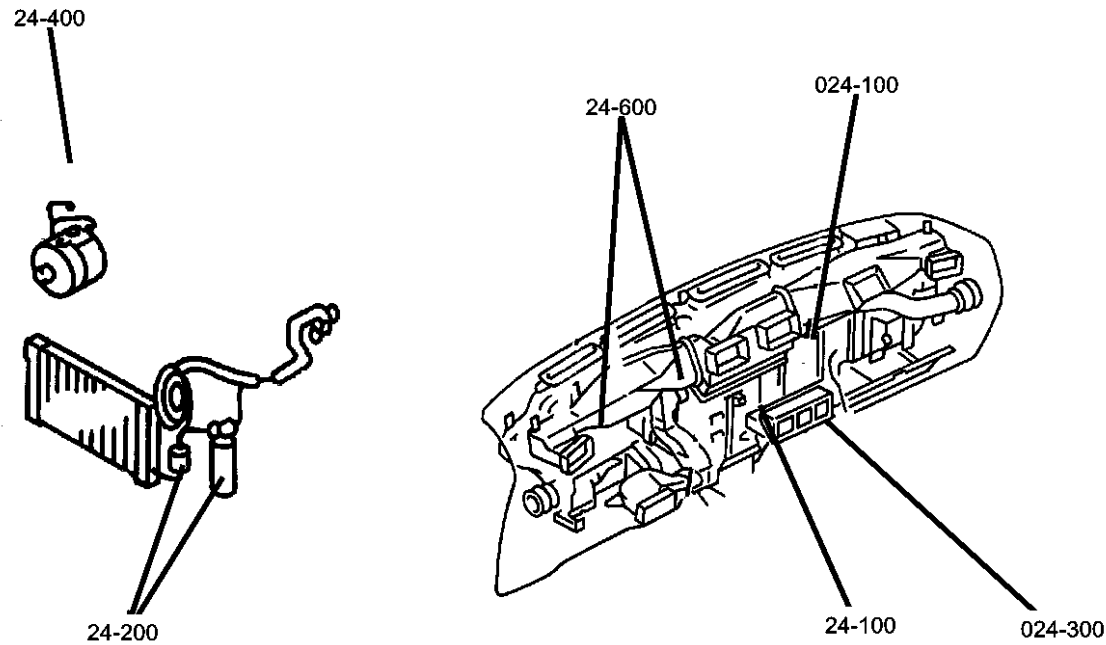
| | |
|------------------------------------|---------------|
| Compressor, Air Conditioning | Fig. 24 - 420 |
|------------------------------------|---------------|

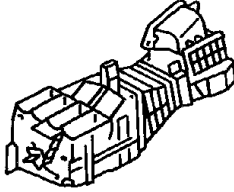
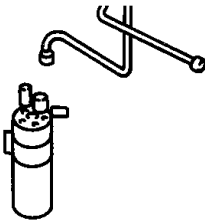
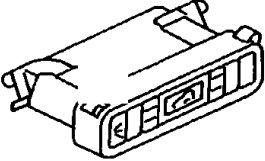
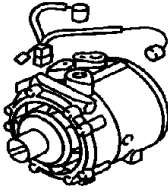
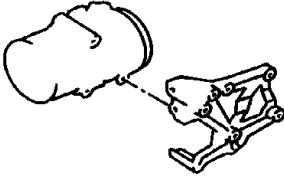
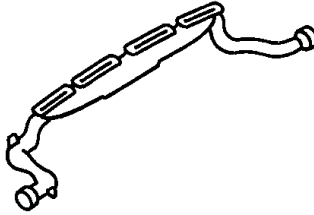
Air Conditioning Compressor Mounting

| | |
|---------------------------|---------------|
| Compressor Mounting | Fig. 24 - 520 |
|---------------------------|---------------|

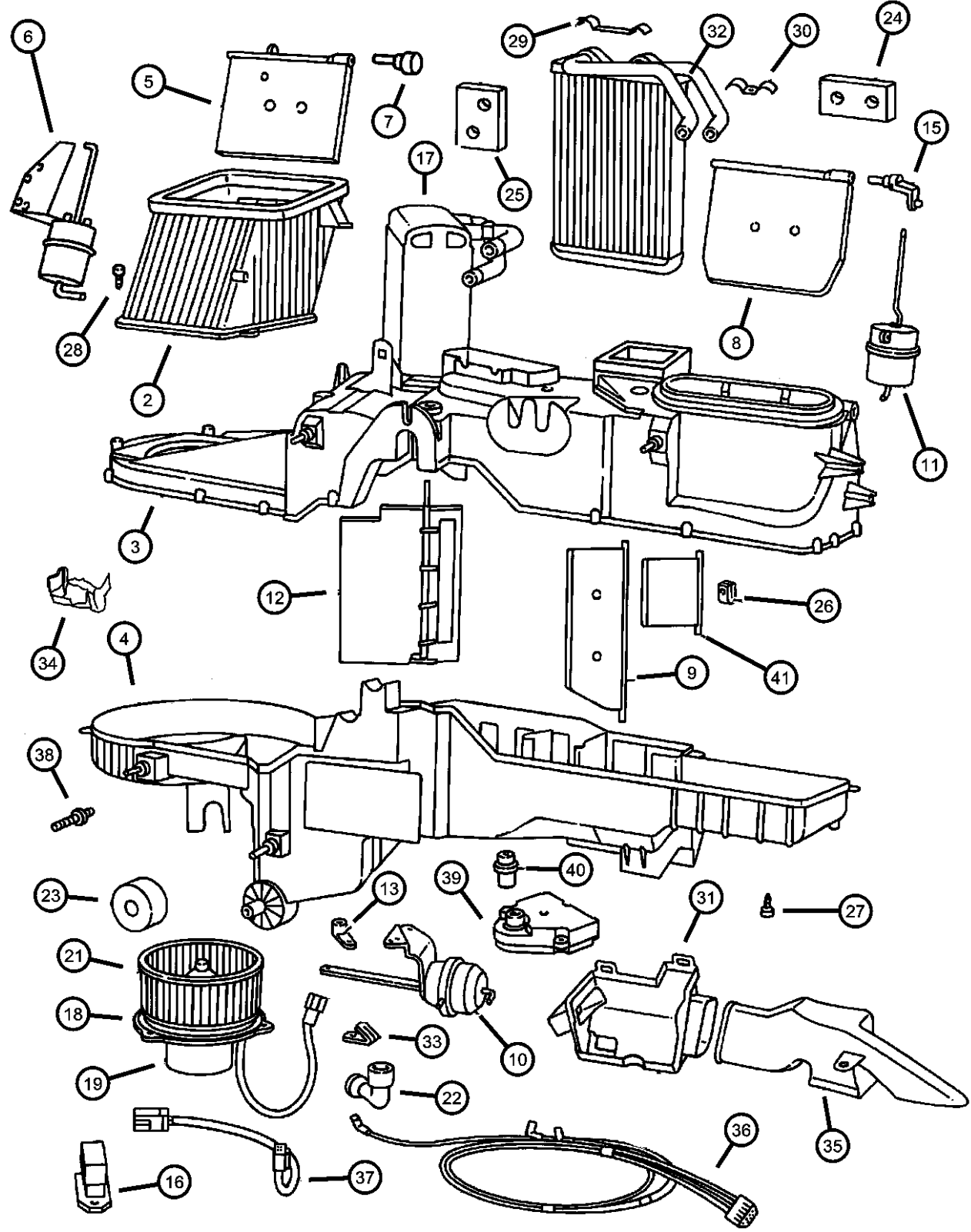
Air Ducts and Outlets

| | |
|-----------------------------|---------------|
| Air Ducts And Outlets | Fig. 24 - 610 |
|-----------------------------|---------------|



| | | | |
|---|---|--|---|
| <p>024-100 Air Conditioner and Heater Units</p>  | <p>024-200 Air Conditioner and Heater Plumbing</p>  | <p>024-300 Air Conditioner and Heater Controls</p>  | <p>024-400 Air Conditioning Compressor</p>  |
| <p>024-500 Air Conditioning Compressor Mounting</p>  | <p>024-600 Air Ducts and Outlets</p>  | | |

**Air Conditioning Unit
Figure 24-160**



| ITEM | PART NUMBER | QTY | LINE | SERIES | BODY | ENGINE | TRANS | TRIM | DESCRIPTION |
|------|-------------|-----|------|--------|------|--------|-------|------|--|
| -1 | 55116000 | 1 | | | | | | | LABEL, Refrigerant, Refrigerant Charge |
| 2 | 04886383AA | AR | | | | | | | HOUSING, Air Recirculating, Fresh/Recirculating |
| 3 | 04778422 | AR | | | | | | | HOUSING, A/C Upper, Upper |
| 4 | 04778424 | 1 | | | | | | | HOUSING, A/C Lower, Lower |
| 5 | 04720026 | 1 | | | | | | | DOOR, Fresh Air, Fresh Air |
| 6 | 04886070AA | 1 | | | | | | | ACTUATOR, Fresh Air Door, Fresh Air Door |
| 7 | 04720029 | AR | | | | | | | CLIP, Fresh Air Door, Fresh Air Door |
| 8 | 04720023 | AR | | | | | | | DOOR, Vent, Vent/Defrost |
| 9 | 04778420 | AR | | | | | | | DOOR, Floor Defroster Duct, Heater Floor Duct |
| 10 | 04778426 | 1 | | | | | | | ACTUATOR, Heater, Floor Duct |
| 11 | 04720279 | 1 | | | | | | | ACTUATOR, Heater, Vent/Defrost |
| 12 | 04746211 | AR | | | | | | | DOOR, A/C Temperature, Temperature |
| 13 | 04720347 | 1 | | | | | | | LEVER, A/C Floor Door Duct, Floor Duct Door |
| -14 | 04883191 | 1 | | | | | | | SERVO, A/C Temperature Door |
| 15 | 04720348 | 1 | | | | | | | LEVER, A/C Vent Defrost Door, Vent/Defrost Door |
| 16 | 04720278 | 1 | | | | | | | RESISTOR, Blower Motor, Blower Motor |
| 17 | 04798705 | AR | | | | | | | EVAPORATOR, Air Conditioning, Core |
| | V9900009 | | | | | | | | Mopar V-Line Alternative Part |
| | V9900006 | | | | | | | | Mopar V-Line Alternative Part |
| 18 | 04720039 | AR | | | | | | | SEAL, Blower Motor, Blower Motor |
| 19 | 04778417 | AR | | | | | | | MOTOR, Blower, Blower |
| -20 | 04720007 | AR | | | | | | | SCREW, Blower Motor |
| 21 | 04720009 | AR | | | | | | | BLOWER, Motor |
| 22 | 05210066 | AR | | | | | | | TUBE, A/C Motor Cooling, Motor Vent |
| 23 | 04720037 | AR | | | | | | | SEAL, Evaporator Drain, Evaporator Drain to Dash |
| 24 | 04720033 | AR | | | | | | | SEAL, Heater Tubes, Heater Tubes to Dash |
| 25 | 04720034 | AR | | | | | | | SEAL, Evaporator Tubes, Evaporator Tubes to Dash |
| 26 | 04720045 | AR | | | | | | | U-NUT, Implement Mounting |
| 27 | 04720533 | AR | | | | | | | SCREW, Heater Housing |

GRAND CHEROKEE (ZJ)

SERIES LINE
L = LOWLINE T = JEEP - 2WD
J = JEEP - 4WD

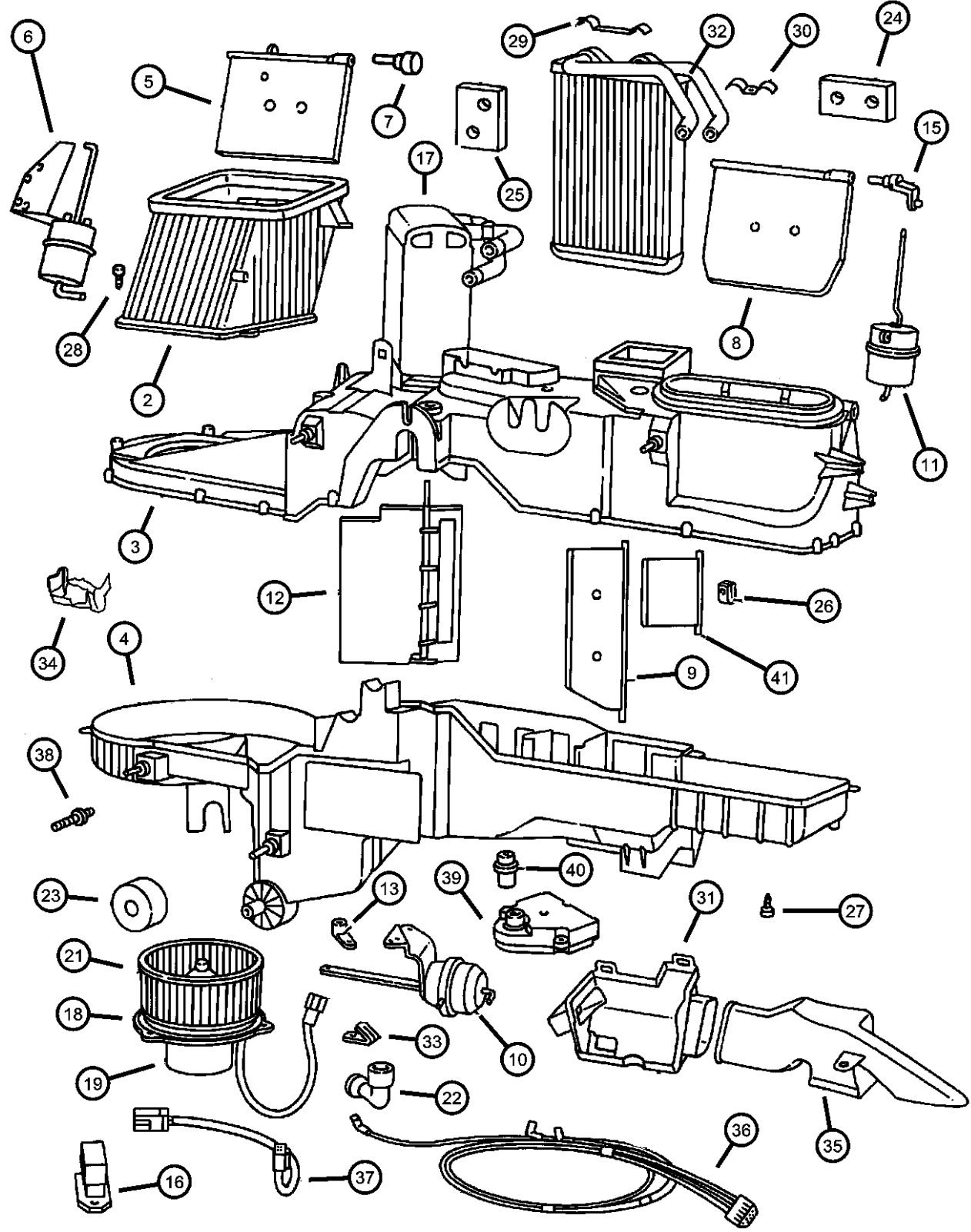
BODY
74 = SPORT UTILITY 4-DR

ENGINE
ELF = 5.2L V8 MPI Engine
EML = 5.9L V8 MPI Engine
ERH = 4.0L Power Tech I-6 Engine

TRANSMISSION
DGK = 4-Spd. Automatic 42RE Transmission
DGW = 4-Spd. Automatic 4RE Transmission
DG0 = Transmissions - All Automatic

AR = use ase required - = Non illustrated part

**Air Conditioning Unit
Figure 24-160**



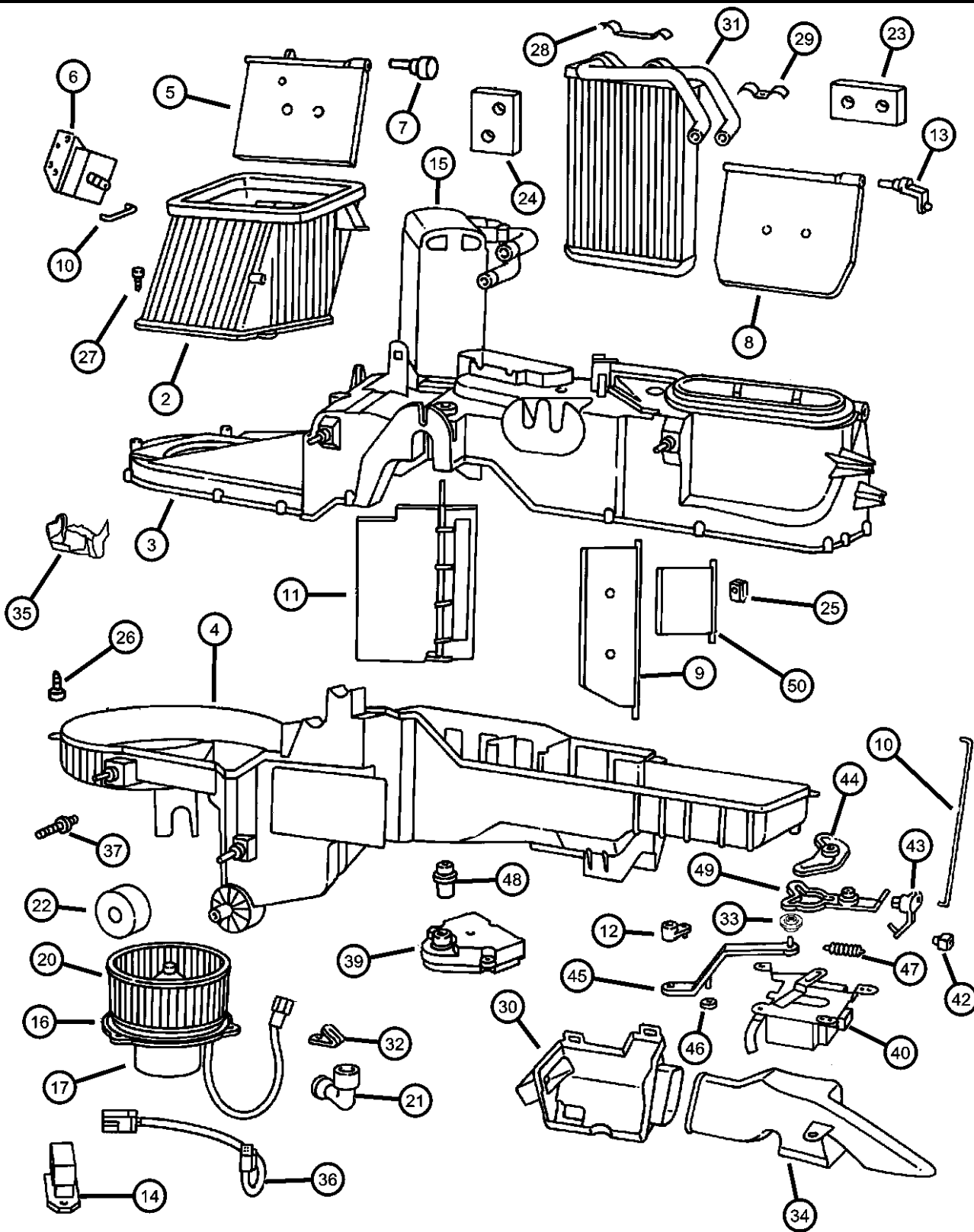
| ITEM | PART NUMBER | QTY | LINE | SERIES | BODY | ENGINE | TRANS | TRIM | DESCRIPTION |
|------|-------------|-----|------|--------|------|--------|-------|------|---------------------------------------|
| 28 | 04720534 | AR | | | | | | | SCREW, Pan Head |
| 29 | 04720555 | AR | | | | | | | CLAMP, Heater Core |
| 30 | 04720028 | AR | | | | | | | CLIP, Heater Core, Heater Core Tubes |
| 31 | 04720010 | AR | | | | | | | DUCT, A/C And Heater, Floor |
| 32 | 04720008 | AR | | | | | | | CORE, Heater, Heater |
| 33 | 04720028 | AR | | | | | | | CLIP, Heater Core |
| 34 | 04778415 | AR | | | | | | | INSULATOR, Air Conditioning, Cooling |
| 35 | 04720560 | AR | | | | | | | DUCT, Air Outlet, Air |
| 36 | 04720350 | 1 | | | | | | | HARNES, A/C And Heater Vacuum, Vacuum |
| 37 | 04883172 | 1 | | | | | | | WIRING, Heater and A/C, Wiring |
| 38 | 04720032 | AR | | | | | | | STUD, A/C Heater Housing, Mtg. |
| 39 | | | | | | | | | SERVO, A/C Temperature Door |
| | 04647039 | AR | | | | | | | With Stamp #113800-1340 |
| | 04720015 | 1 | | | | | | | With Stamp #16124922 |
| 40 | 04720014 | AR | | | | | | | LEVER, Mode Door |
| 41 | 04778421 | AR | | | | | | | DOOR, Floor Defroster Duct |

GRAND CHEROKEE (ZJ)

| | | | | |
|-------------|----------------------------------|-------------------------|--|--|
| SERIES | LINE | BODY | ENGINE | TRANSMISSION |
| L = LOWLINE | T = JEEP - 2WD J = JEEP - 4WD | 74 = SPORT UTILITY 4-DR | ELF = 5.2L V8 MPI Engine EML = 5.9L V8 MPI Engine ERH = 4.0L Power Tech I-6 Engine | DGK = 4-Spd. Automatic 42RE Transmission DGW = 4-Spd. Automatic 4RE Transmission DG0 = Transmissions - All Automatic |

AR = use ase required - = Non illustrated part

Air Conditioning Unit ATC
Figure 24-170



| ITEM | PART NUMBER | QTY | LINE | SERIES | BODY | ENGINE | TRANS | TRIM | DESCRIPTION |
|------|-------------|-----|------|--------|------|--------|-------|------|--|
| -1 | 55116000 | 1 | | | | | | | LABEL, Refrigerant |
| 2 | 04886383AA | AR | | | | | | | HOUSING, Air Recirculating, Fresh/Recirculating |
| 3 | 04778422 | AR | | | | | | | HOUSING, A/C Upper, Upper |
| 4 | 04778423 | AR | | | | | | | HOUSING, A/C Lower, Lower |
| 5 | 04720024 | AR | | | | | | | DOOR, Fresh Air, Fresh Air |
| 6 | 04720563 | AR | | | | | | | ACTUATOR, Heater Door, Fresh Air Door |
| 7 | 04720029 | AR | | | | | | | CLIP, Fresh Air Door, Fresh Air Door |
| 8 | 04720023 | AR | | | | | | | DOOR, Vent, Vent/Defrost |
| 9 | 04778420 | AR | | | | | | | DOOR, Floor Defroster Duct, Floor Duct |
| 10 | 04720571 | AR | | | | | | | SHAFT, A/C and Heater Door, Door |
| 11 | 04746211 | AR | | | | | | | DOOR, A/C Temperature |
| 12 | 04746211 | AR | | | | | | | LEVER, Order Item # 41, (NOT REQUIRED) |
| 13 | 04720570 | AR | | | | | | | LEVER, A/C Heater Door, Vent/Defrost |
| 14 | 04883692AA | 1 | | | | | | | RESISTOR, Blower Motor, Power (Resistor Motor) |
| 15 | 04882168 | 1 | | | | | | | EVAPORATOR, Air Conditioning |
| 16 | 04720039 | AR | | | | | | | SEAL, Blower Motor, Motor |
| 17 | 04778417 | AR | | | | | | | MOTOR, Blower, Blower |
| -18 | 04720007 | AR | | | | | | | SCREW, Blower Motor |
| -19 | 02837680 | AR | | | | | | | CLAMP, Blower Motor Wheel |
| 20 | 04720009 | AR | | | | | | | BLOWER, Motor |
| 21 | 05210066 | AR | | | | | | | TUBE, A/C Motor Cooling, Motor Vent |
| 22 | 04720037 | AR | | | | | | | SEAL, Evaporator Drain, Evaporator Drain to Dash |
| 23 | 04720033 | AR | | | | | | | SEAL, Heater Tubes, Heater Tubes to Dash |
| 24 | 04720034 | AR | | | | | | | SEAL, Evaporator Tubes, Evaporator Tubes to Dash |
| 25 | 04720045 | AR | | | | | | | U-NUT, Implement Mounting |
| 26 | 04720533 | AR | | | | | | | SCREW, Heater Housing |
| 27 | 04720534 | AR | | | | | | | SCREW, Pan Head |
| 28 | 04720555 | AR | | | | | | | CLAMP, Heater Core |
| 29 | 04720028 | AR | | | | | | | CLIP, Heater Core, Heater Core Tubes |

GRAND CHEROKEE (ZJ)

SERIES LINE
L = LOWLINE T = JEEP - 2WD
J = JEEP - 4WD

BODY
74 = SPORT UTILITY 4-DR

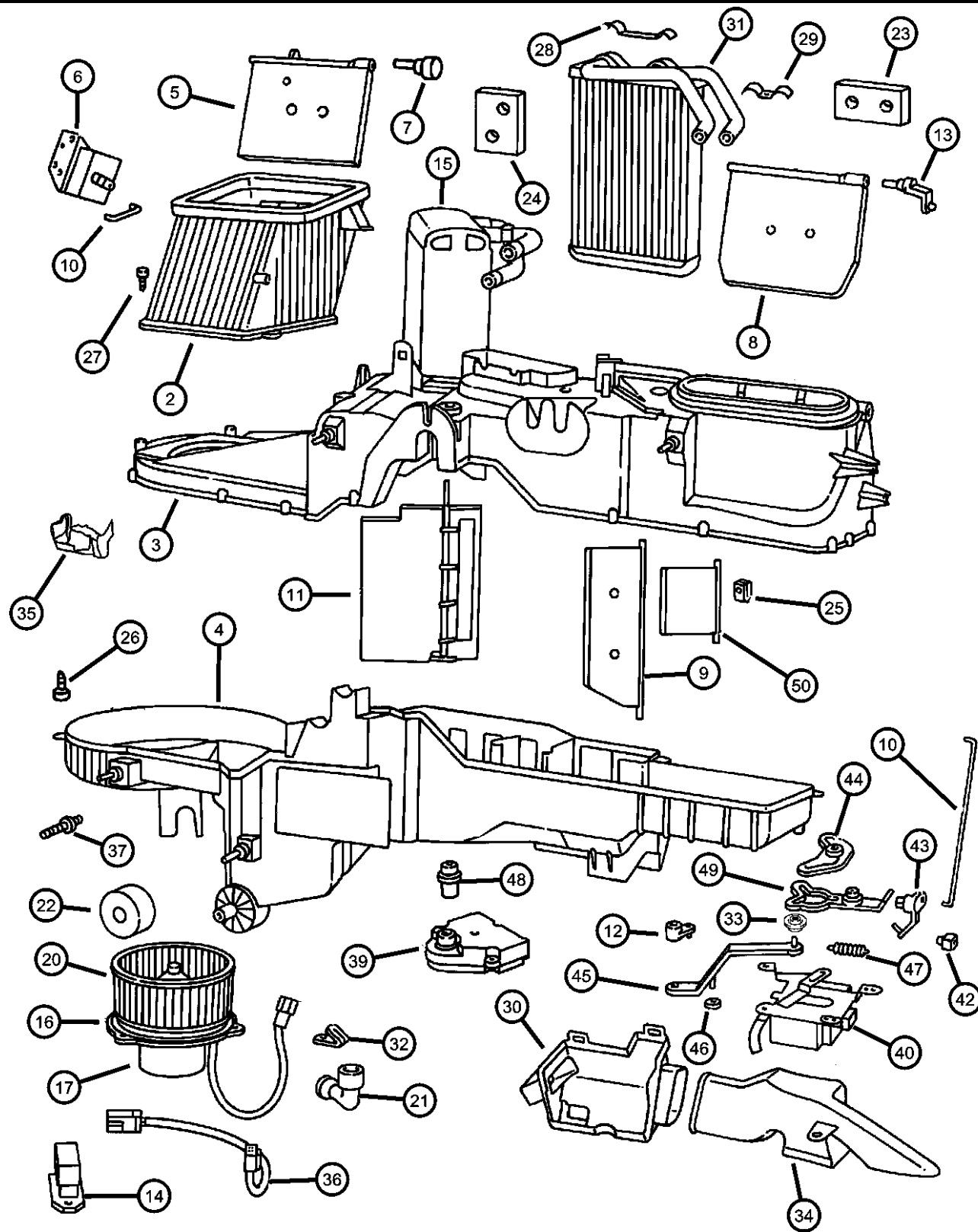
ENGINE
ELF = 5.2L V8 MPI Engine
EML = 5.9L V8 MPI Engine
ERH = 4.0L Power Tech I-6 Engine

TRANSMISSION
DGK = 4-Spd. Automatic 42RE Transmission
DGW = 4-Spd. Automatic 4RE Transmission
DG0 = Transmissions - All Automatic

AR = use ase required - = Non illustrated part

1997 ZJ

Air Conditioning Unit ATC
Figure 24-170



| ITEM | PART NUMBER | QTY | LINE | SERIES | BODY | ENGINE | TRANS | TRIM | DESCRIPTION |
|------|-------------|-----|------|--------|------|--------|-------|------|--|
| 30 | 04720010 | AR | | | | | | | DUCT, A/C And Heater, Floor |
| 31 | 04720008 | AR | | | | | | | CORE, Heater, Heater |
| 32 | 04720028 | AR | | | | | | | CLIP, Heater Core |
| 33 | 04720558 | AR | | | | | | | BUSHING, Air Condition and Heater, Lever |
| 34 | 04720560 | AR | | | | | | | DUCT, Air Outlet, Air |
| 35 | 04778415 | AR | | | | | | | INSULATOR, Air Conditioning, Cooling |
| 36 | 04883693AA | 1 | | | | | | | WIRING, Heater and A/C, Wiring |
| 37 | 04720032 | AR | | | | | | | STUD, A/C Heater Housing, w/Stud Mtg. |
| -38 | 04746573 | AR | | | | | | | SEAL, Blower Motor, Stud |
| 39 | 04647039 | AR | | | | | | | SERVO, A/C Temperature Door, Door |
| 40 | 04720569 | AR | | | | | | | ACTUATOR, Heater, Heat/Defrost Door |
| -41 | 04720558 | AR | | | | | | | BUSHING, Air Condition and Heater, Clip |
| 42 | 04720576 | AR | | | | | | | CLIP, A/C Heater Housing |
| 43 | 04720572 | AR | | | | | | | LEVER, Defroster Door |
| 44 | 04720559 | AR | | | | | | | ACTUATOR, Heater |
| 45 | 04886136AA | AR | | | | | | | LEVER, Defroster Door |
| 46 | 04746882 | AR | | | | | | | WASHER, Mode Door |
| 47 | 04746883 | AR | | | | | | | SPRING, Mode Door |
| 48 | | | | | | | | | LEVER, Mode Door |
| | 04720014 | AR | | | | | | | |
| | | 1 | | | | | | | |
| 49 | 04762086 | AR | | | | | | | FACE PLATE, Heater And A/C Control |
| 50 | 04778421 | AR | | | | | | | DOOR, Floor Defroster Duct |

GRAND CHEROKEE (ZJ)

SERIES LINE
 L = LOWLINE T = JEEP - 2WD
 J = JEEP - 4WD

BODY
 74 = SPORT UTILITY 4-DR

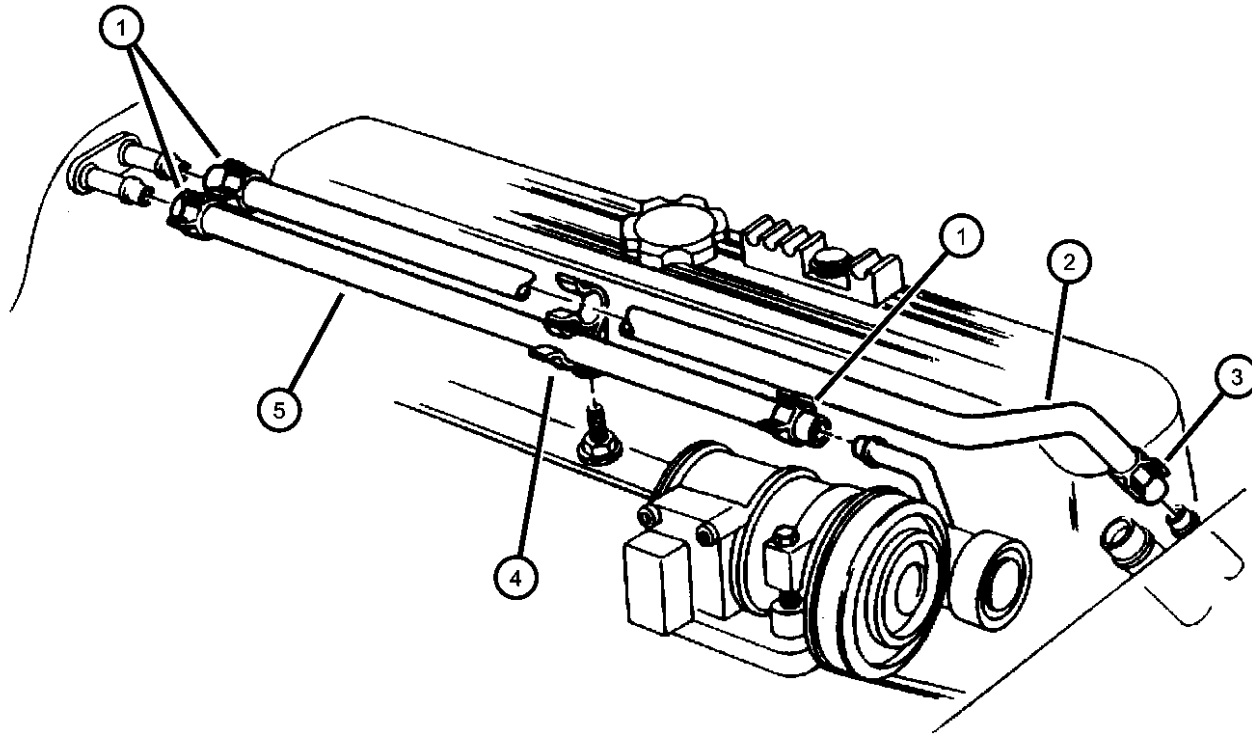
ENGINE
 ELF = 5.2L V8 MPI Engine
 EML = 5.9L V8 MPI Engine
 ERH = 4.0L Power Tech I-6 Engine

TRANSMISSION
 DGK = 4-Spd. Automatic 42RE Transmission
 DGW = 4-Spd. Automatic 4RE Transmission
 DG0 = Transmissions - All Automatic

AR = use ase required - = Non illustrated part

Hoses, Heater 4.0L Engine
Figure 24-240

| ITEM | PART NUMBER | QTY | LINE | SERIES | BODY | ENGINE | TRANS | TRIM | DESCRIPTION |
|------|-------------|-----|------|--------|------|--------|-------|------|-------------------------------|
| 1 | 06502017 | 2 | | | | ER0 | | | CLAMP, Heater Hose |
| 2 | 55036490 | 1 | | | | ER0 | | | HOSE, Heater Supply, Supply |
| 3 | 06502018 | 1 | | | | ER0 | | | CLAMP, Hose, M28.9 x 1.60 |
| 4 | 55035933 | 1 | | | | ER0 | | | BRACKET, Hose, Hose Retaining |
| 5 | 55036475 | 1 | | | | ER0 | | | HOSE, Heater Return, Return |



GRAND CHEROKEE (ZJ)

SERIES LINE
L = LOWLINE T = JEEP - 2WD
 J = JEEP - 4WD

BODY
74 = SPORT UTILITY 4-DR

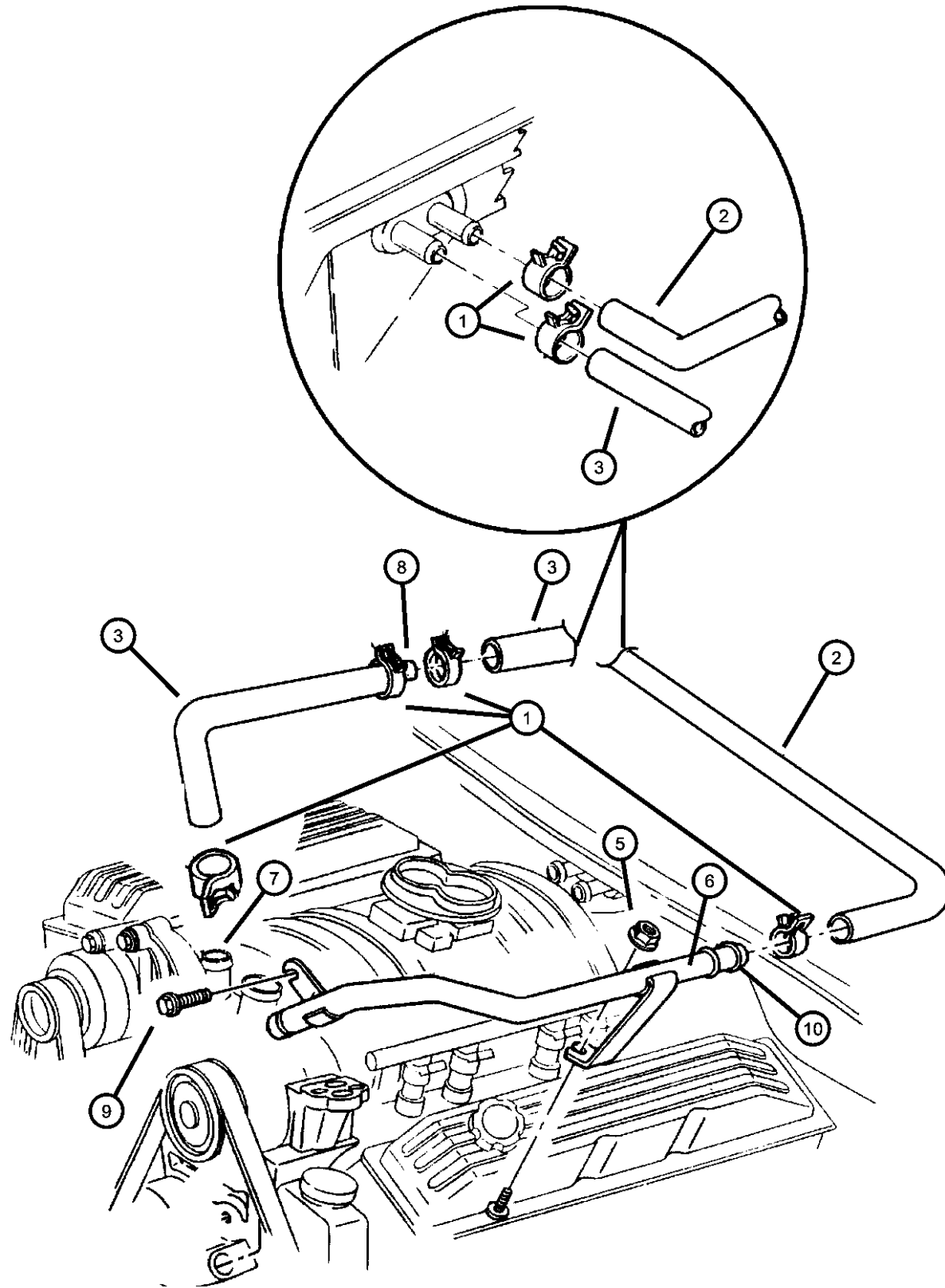
ENGINE
ELF = 5.2L V8 MPI Engine
EML = 5.9L V8 MPI Engine
ERH = 4.0L Power Tech I-6 Engine

TRANSMISSION
DGK = 4-Spd. Automatic 42RE Transmission
DGW = 4-Spd. Automatic 4RE Transmission
DG0 = Transmissions - All Automatic

AR = use ase required - = Non illustrated part

1997 ZJ

Hoses, Heater 5.2L And 5.9L Engine
Figure 24-245



| ITEM | PART NUMBER | QTY | LINE | SERIES | BODY | ENGINE | TRANS | TRIM | DESCRIPTION |
|------|-------------|-----|------|--------|------|----------|-------|------|--|
| 1 | 06502017 | 2 | | | | EL0, EM0 | | | CLAMP, Heater Hose |
| 2 | 55036477 | 1 | | | | EL0, EM0 | | | HOSE, Heater, Return |
| 3 | | | | | | | | | HOSE, Heater Supply |
| | 55036476 | 1 | | | | EL0, EM0 | | | |
| | 55036844 | 1 | | | | EL0, EM0 | | | With 90 Degree Bend |
| -4 | 04637938 | 1 | | | | EL0, EM0 | | | SLEEVE, Heater Hose, Heater Hose, Braided |
| 5 | 06033560 | 1 | | | | EL0, EM0 | | | NUT AND WASHER, Hex Nut-Coned Washer, .25-20 |
| 6 | 55036895 | 1 | | | | EL0, EM0 | | | TUBE, Heater Return |
| 7 | 55035944 | 1 | | | | EL0, EM0 | | | NIPPLE, Heater Inlet, Return |
| 8 | 04361121 | 1 | | | | EL0, EM0 | | | HOSE, Heater, Insert |
| 9 | 55036492 | 1 | | | | EL0, EM0 | | | HOSE, Heater Supply |
| 10 | 04746864 | 1 | | | | EL0, EM0 | | | O RING, Tube Assy, Heater Return |

GRAND CHEROKEE (ZJ)

SERIES LINE
L = LOWLINE T = JEEP - 2WD
J = JEEP - 4WD

BODY
74 = SPORT UTILITY 4-DR

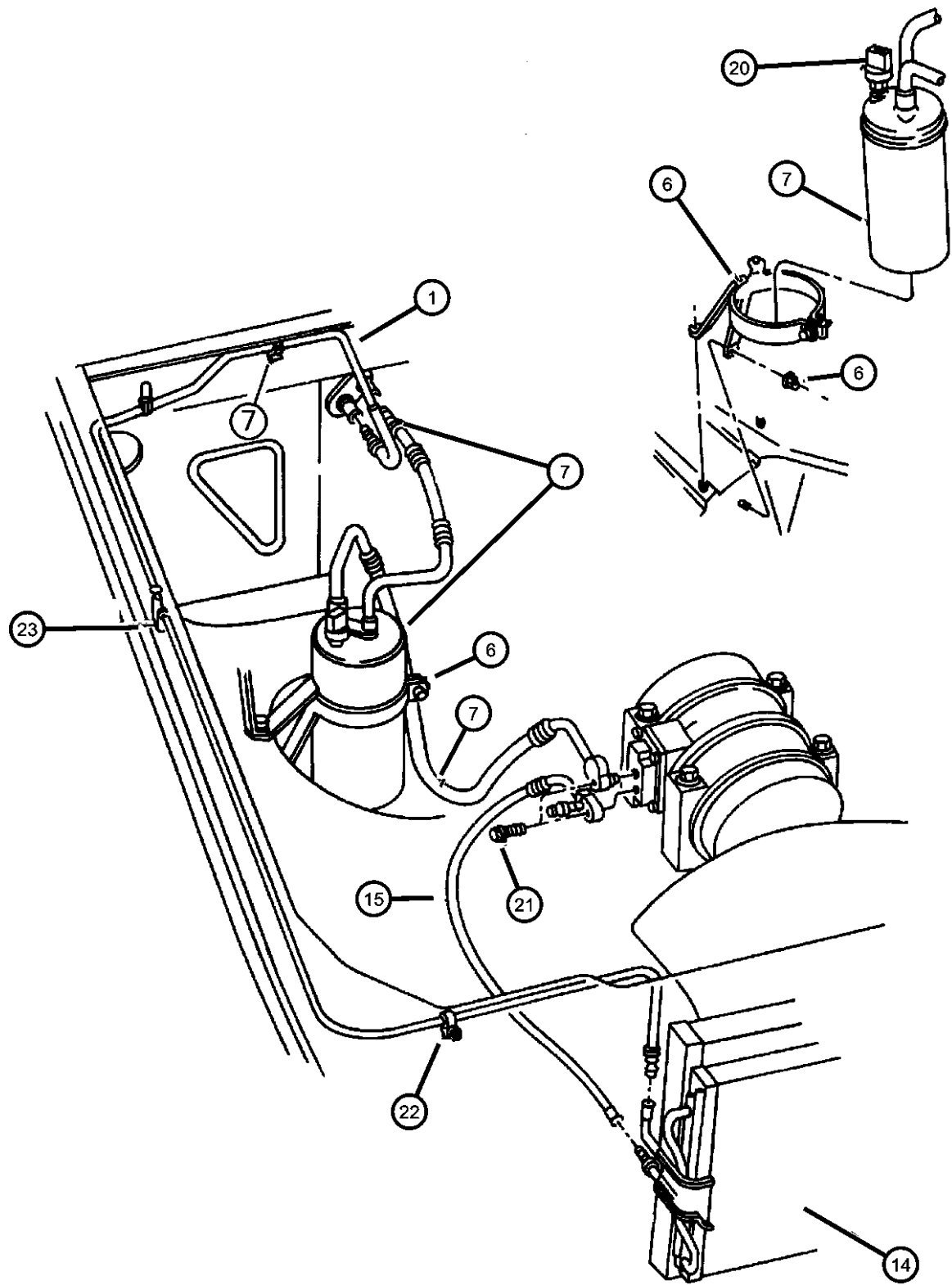
ENGINE
ELF = 5.2L V8 MPI Engine
EML = 5.9L V8 MPI Engine
ERH = 4.0L Power Tech I-6 Engine

TRANSMISSION
DGK = 4-Spd. Automatic 42RE Transmission
DGW = 4-Spd. Automatic 4RE Transmission
DG0 = Transmissions - All Automatic

AR = use ase required - = Non illustrated part

1997 ZJ

Accumulator, Condensor And Lines 4.0L Engine
Figure 24-250



| ITEM | PART NUMBER | QTY | LINE | SERIES | BODY | ENGINE | TRANS | TRIM | DESCRIPTION |
|------|-------------|-----|------|--------|------|---------------|-------|------|--|
| 1 | 55116115 | 1 | | | | EL0, EM0, ERO | | | LINE, A/C Liquid |
| -2 | 55035972 | 1 | | | | EL0, EM0, ERO | | | CAP, A/C Check Valve |
| -3 | 03849468 | 1 | | | | ERO | | | VALVE, A/C Discharge Line Check |
| -4 | 05010890AA | 4 | | | | EL0, ERO | | | O RING, A/C Liquid Line |
| -5 | 05010890AA | 4 | | | | | | | SPRING, Quick Disconnect, 04728856, (NOT SERVICED) |
| 6 | 55115828 | 1 | | | | | | | BRACKET, A/C Filter Drier, Accum. Assembly |
| 7 | 55116120 | 1 | | | | ERO | | | ACCUMULATOR, Suction Line |
| -8 | 04728705 | 1 | | | | ERO | | | O RING, Low Pressure Cutout Switc |
| -9 | 05011943AA | 1 | | | | ERO | | | SWITCH, A/C Cycling |
| -10 | 04773190 | 1 | | | | ERO | | | SWITCH, A/C High Pressure Cut Off |
| -11 | 04773190 | 1 | | | | | | | WASHER, Thrust, (NOT SERVICED) |
| -12 | 04740401 | 1 | | | | ERO | | | O RING, A/C Suction Line |
| -13 | 04740401 | 1 | | | | | | | VALVE CORE, Service Port, 05011346AA, (NOT SERVICED) |
| 14 | 55036473 | 1 | | | | ERO | | | CONDENSER, Air Conditioning |
| 15 | 55116117 | 1 | | | | ERO | | | LINE, A/C Discharge |
| -16 | 03849468 | 1 | | | | ERO | | | VALVE, A/C Discharge Line Check |
| -17 | 04796565 | 1 | | | | ERO | | | O RING, A/C Discharge Line |
| -18 | 04882139 | 1 | | | | ERO | | | O RING, High Pressure |
| -19 | | | | | | | | | CLIP, A/C Quick Disconnect |
| | 04596152 | 3 | | | | | | | Discharge |
| | 04596153 | 1 | | | | | | | Suction |
| 20 | 04773190 | 1 | | | | ERO | | | SWITCH, A/C High Pressure Cut Off, High Pressure Cut-Out |
| 21 | 04773190 | 1 | | | | | | | SCREW, (NOT SERVICED) |
| 22 | 55035758 | 2 | | | | | | | RETAINER, A/C Supply Line |
| 23 | 55036495 | 2 | | | | | | | RETAINER, A/C Supply Line |

GRAND CHEROKEE (ZJ)

| | |
|-------------|----------------|
| SERIES | LINE |
| L = LOWLINE | T = JEEP - 2WD |
| | J = JEEP - 4WD |

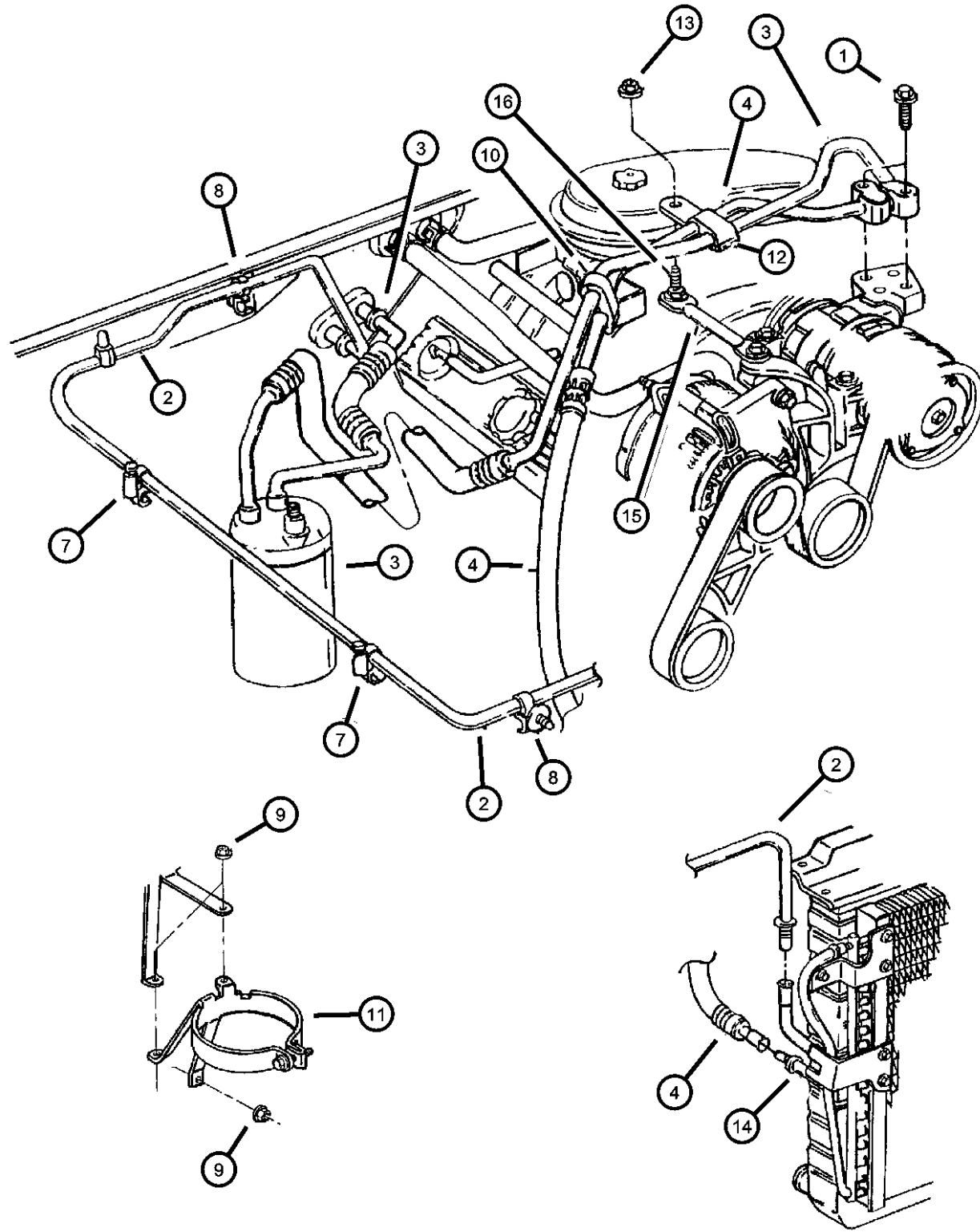
| |
|-------------------------|
| BODY |
| 74 = SPORT UTILITY 4-DR |

| |
|----------------------------------|
| ENGINE |
| ELF = 5.2L V8 MPI Engine |
| EML = 5.9L V8 MPI Engine |
| ERH = 4.0L Power Tech I-6 Engine |

| |
|--|
| TRANSMISSION |
| DGK = 4-Spd. Automatic 42RE Transmission |
| DGW = 4-Spd. Automatic 4RE Transmission |
| DG0 = Transmissions - All Automatic |

AR = use ase required - = Non illustrated part

**Accumulator, Condensor And Lines 5.2L And 5.9L Engine
Figure 24-255**



| ITEM | PART NUMBER | QTY | LINE | SERIES | BODY | ENGINE | TRANS | TRIM | DESCRIPTION |
|------|-------------|-----|------|--------|------|---------------|-------|------|--|
| 1 | 55036495 | 2 | | | | | | | SCREW, (NOT SERVICED) |
| 2 | 55116115 | 1 | | | | EL0, EM0, ER0 | | | LINE, A/C Liquid |
| 3 | 55116121 | 1 | | | | EL0, EM0 | | | ACCUMULATOR, Suction Line |
| 4 | 55116119 | 1 | | | | EL0, EM0 | | | LINE, A/C Discharge |
| -5 | 04596152 | 3 | | | | | | | CLIP, A/C Quick Disconnect, Quick Disconnect, Discharge Line |
| -6 | 04596153 | 1 | | | | | | | CLIP, A/C Quick Disconnect, Quick Disconnect, Suction Line |
| 7 | 55035758 | 2 | | | | | | | RETAINER, A/C Supply Line, Liquid Line Mounting |
| 8 | 55036495 | 2 | | | | | | | RETAINER, A/C Supply Line, Line Mounting |
| 9 | 06100515 | 4 | | | | EL0, EM0 | | | NUT, Hex Flange Lock, M5 |
| 10 | 55035784 | 1 | | | | EL0, EM0 | | | CLIP, Tube |
| 11 | 55115828 | 1 | | | | | | | BRACKET, A/C Filter Drier, Accumulator |
| 12 | 55035945 | 1 | | | | EL0, EM0 | | | CLIP, Hose To Manifold, Hose to Manifold |
| 13 | 55035945 | 1 | | | | | | | NUT, (NOT SERVICED) |
| 14 | 55036473 | 1 | | | | EL0, EM0 | | | CONDENSER, Air Conditioning |
| 15 | 53008746 | 1 | | | | EL0, EM0 | | | BRACE, Alternator |
| 16 | 06034438 | 1 | | | | EL0, EM0 | | | STUD, .312-18/.375-16x1.750 |
| -17 | 05011943AA | 1 | | | | EL0, EM0 | | | SWITCH, A/C Cycling |
| -18 | 04773122 | AR | | | | | | | SWITCH, A/C High Pressure Cut Off |

GRAND CHEROKEE (ZJ)

SERIES LINE
 L = LOWLINE T = JEEP - 2WD
 J = JEEP - 4WD

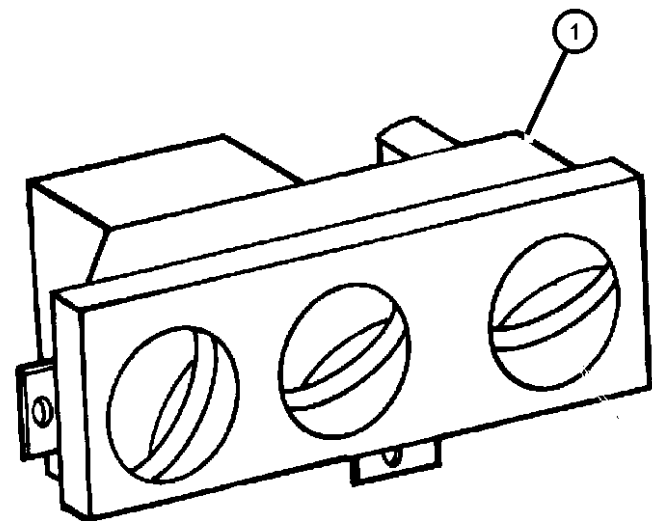
BODY
 74 = SPORT UTILITY 4-DR

ENGINE
 ELF = 5.2L V8 MPI Engine
 EML = 5.9L V8 MPI Engine
 ERH = 4.0L Power Tech I-6 Engine

TRANSMISSION
 DGK = 4-Spd. Automatic 42RE Transmission
 DGW = 4-Spd. Automatic 4RE Transmission
 DG0 = Transmissions - All Automatic

AR = use ase required - = Non illustrated part

**Control, With Air Conditioning
Figure 24-320**



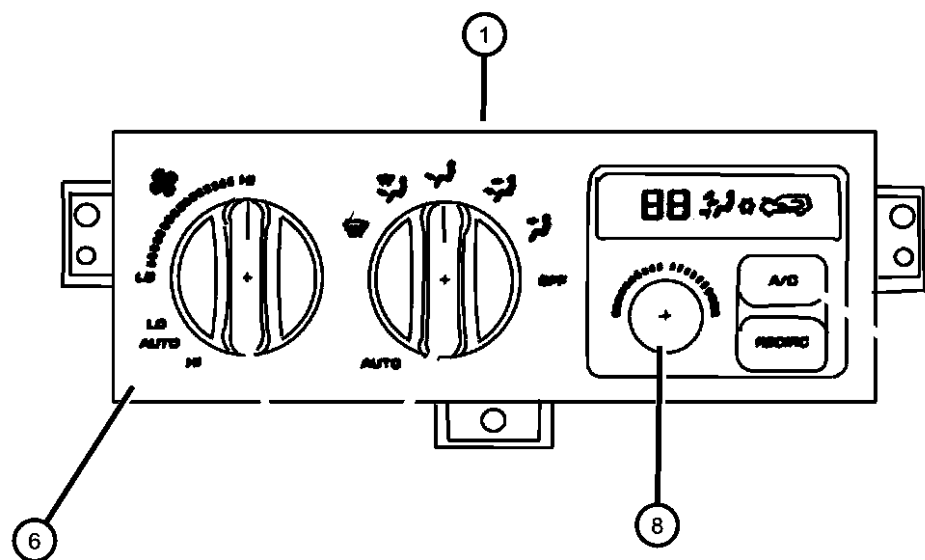
| ITEM | PART NUMBER | QTY | LINE | SERIES | BODY | ENGINE | TRANS | TRIM | DESCRIPTION |
|------|-------------|-----|------|--------|------|--------|-------|------|----------------------------------|
| 1 | 55115842 | 1 | | | | | | | CONTROL, Auto Temp Control [HAA] |
| | 55116065 | 1 | | | | | | | [HAB] |
| -2 | 55115790 | 1 | | | | ER0 | | | HARNESS, Speed Control Vacuum |

GRAND CHEROKEE (ZJ)

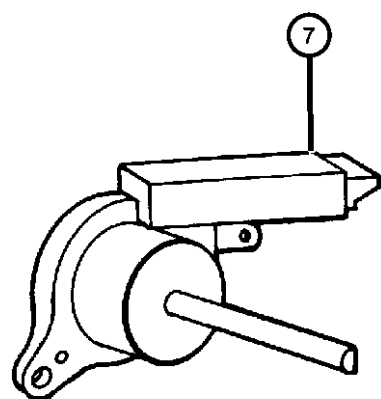
| | | | | |
|-------------|----------------------------------|-------------------------|--|--|
| SERIES | LINE | BODY | ENGINE | TRANSMISSION |
| L = LOWLINE | T = JEEP - 2WD J = JEEP - 4WD | 74 = SPORT UTILITY 4-DR | ELF = 5.2L V8 MPI Engine EML = 5.9L V8 MPI Engine ERH = 4.0L Power Tech I-6 Engine | DGK = 4-Spd. Automatic 42RE Transmission DGW = 4-Spd. Automatic 4RE Transmission DG0 = Transmissions - All Automatic |

AR = use ase required - = Non illustrated part

Control, With ATC
Figure 24-330



| ITEM | PART NUMBER | QTY | LINE | SERIES | BODY | ENGINE | TRANS | TRIM | DESCRIPTION |
|------|-------------|-----|------|--------|------|--------|-------|------|---|
| 1 | 55115842 | 1 | | | | | | | CONTROL, Auto Temp Control [HAA] |
| | 55116065 | 1 | | | | | | | [HAB] |
| -2 | 55036393 | 1 | | | | | | | SENSOR, Auto Temp. Control, Ambient |
| -3 | 55036394 | 1 | | | | | | | HOSE, Aspirator, Aspirator |
| -4 | 55036396 | 1 | | | | | | | SUPPORT, Auto Temperature Control, Control |
| -5 | 55036396 | 1 | | | | | | | KNOB, Serviced in Control Unit, (NOT SERVICED) |
| 6 | 55036396 | 1 | | | | | | | FACEPLATE, A/C Control, Serviced in Control Unit, (NOT SERVICED) |
| 7 | 55036396 | 1 | | | | | | | VALVE, A/C pressure Transducer, Rotary Vacuum, Serviced in Control Unit, (NOT SERVICED) |
| 8 | 55036396 | 1 | | | | | | | KNOB, Serviced in Control Unit, (NOT SERVICED) |



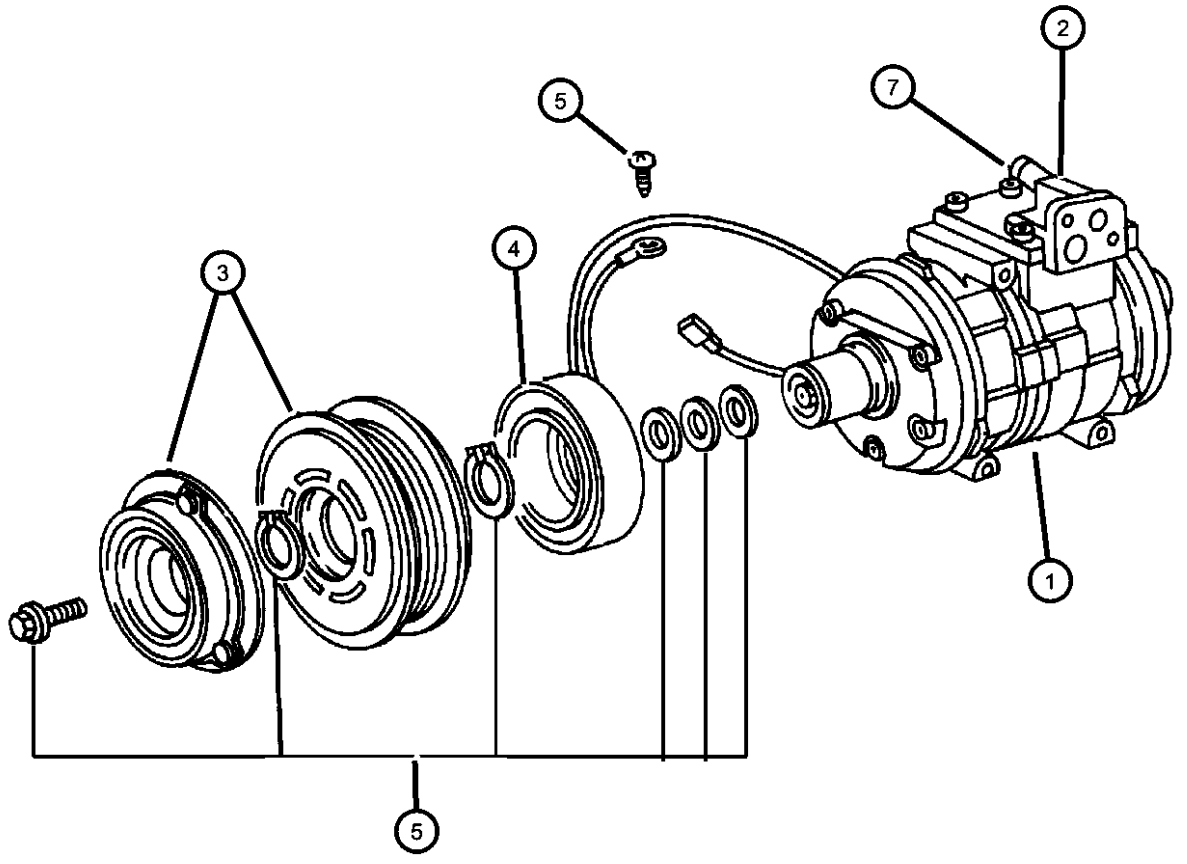
GRAND CHEROKEE (ZJ)

| | | | | |
|-------------|----------------------------------|-------------------------|--|--|
| SERIES | LINE | BODY | ENGINE | TRANSMISSION |
| L = LOWLINE | T = JEEP - 2WD J = JEEP - 4WD | 74 = SPORT UTILITY 4-DR | ELF = 5.2L V8 MPI Engine EML = 5.9L V8 MPI Engine ERH = 4.0L Power Tech I-6 Engine | DGK = 4-Spd. Automatic 42RE Transmission DGW = 4-Spd. Automatic 4RE Transmission DG0 = Transmissions - All Automatic |

AR = use ase required - = Non illustrated part

Compressor, Air Conditioning
Figure 24-420

| ITEM | PART NUMBER | QTY | LINE | SERIES | BODY | ENGINE | TRANS | TRIM | DESCRIPTION |
|------|-------------|-----|------|--------|------|--------|-------|------|-------------|
|------|-------------|-----|------|--------|------|--------|-------|------|-------------|



| | | | | | | | | | |
|----|----------------------|--------|--|--|--|-----------------|--|--|---|
| 1 | 55036151 R5036151 | 1 | | | | ER0 | | | COMPRESSOR, Air Conditioning |
| | 56006551 R1017016 | 1 | | | | EL0, EM0 | | | Mopar Remanufactured Part W/Clutch Kit |
| 2 | 04740682 04761702 | 1 1 | | | | EL0, EM0 ER0 | | | Mopar Remanufactured Part W/O Clutch Kit MANIFOLD, Compressor |
| 3 | 04720834 04740683 | 1 1 | | | | ER0 EL0, EM0 | | | PULLEY, A/C Compressor |
| 4 | 04720836 | 1 | | | | EL0, EM0 ER0 | | | COIL, Air Conditioning Clutch |
| 5 | 04720835 | 1 | | | | ER0 | | | CLUTCH, A/C Compressor |
| | | 1 | | | | EL0, EM0 | | | Clutch Overhaul Consists of: 1 - Snap Ring (Coil) 1 - Snap Ring (Pulley) 3 - Shim (.1 .3 .5) 1 - Bolt (Pulley Mounting) 1 - Bracket (Diode) 1 - Screw (Diode Bracket Mounting) |
| -6 | 05264454 | 1 | | | | ER0 | | | SNAP RING KIT, A/C Clutch |
| | | 1 | | | | EL0, EM0 | | | Clutch Snap Ring |
| 7 | 04720848 | 1 | | | | ER0 | | | VALVE, High Pressure Relief |
| | | 1 | | | | EL0, EM0 | | | High Pressure Release |
| -8 | | 1 | | | | | | | O RING, Air Conditioning Compressor, 04740685, (NOT SERVICED), |
| -9 | | | | | | | | | SEAL, Manifold To Compressor |

GRAND CHEROKEE (ZJ)

SERIES LINE
L = LOWLINE T = JEEP - 2WD
J = JEEP - 4WD

BODY
74 = SPORT UTILITY 4-DR

ENGINE
ELF = 5.2L V8 MPI Engine
EML = 5.9L V8 MPI Engine
ERH = 4.0L Power Tech I-6
Engine

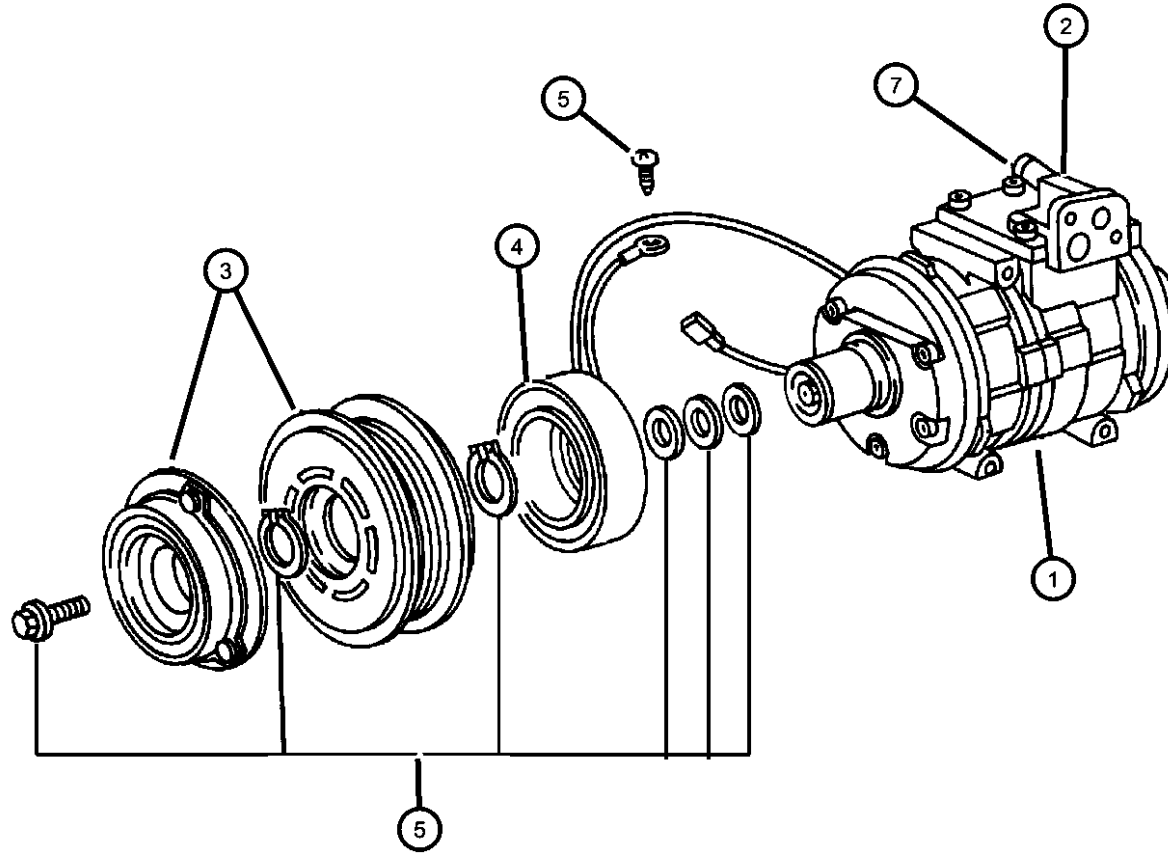
TRANSMISSION
DGK = 4-Spd. Automatic 42RE
Transmission
DGW = 4-Spd. Automatic 4RE
Transmission
DG0 = Transmissions - All Automatic

AR = use ase required - = Non illustrated part

1997 ZJ

**Compressor, Air Conditioning
Figure 24-420**

| ITEM | PART NUMBER | QTY | LINE | SERIES | BODY | ENGINE | TRANS | TRIM | DESCRIPTION |
|------|-------------|-----|------|--------|------|----------|-------|------|-------------|
| | 04728854 | 1 | | | | ER0 | | | |
| | | 1 | | | | ELO, EMO | | | |



GRAND CHEROKEE (ZJ)

SERIES LINE
L = LOWLINE T = JEEP - 2WD
 J = JEEP - 4WD

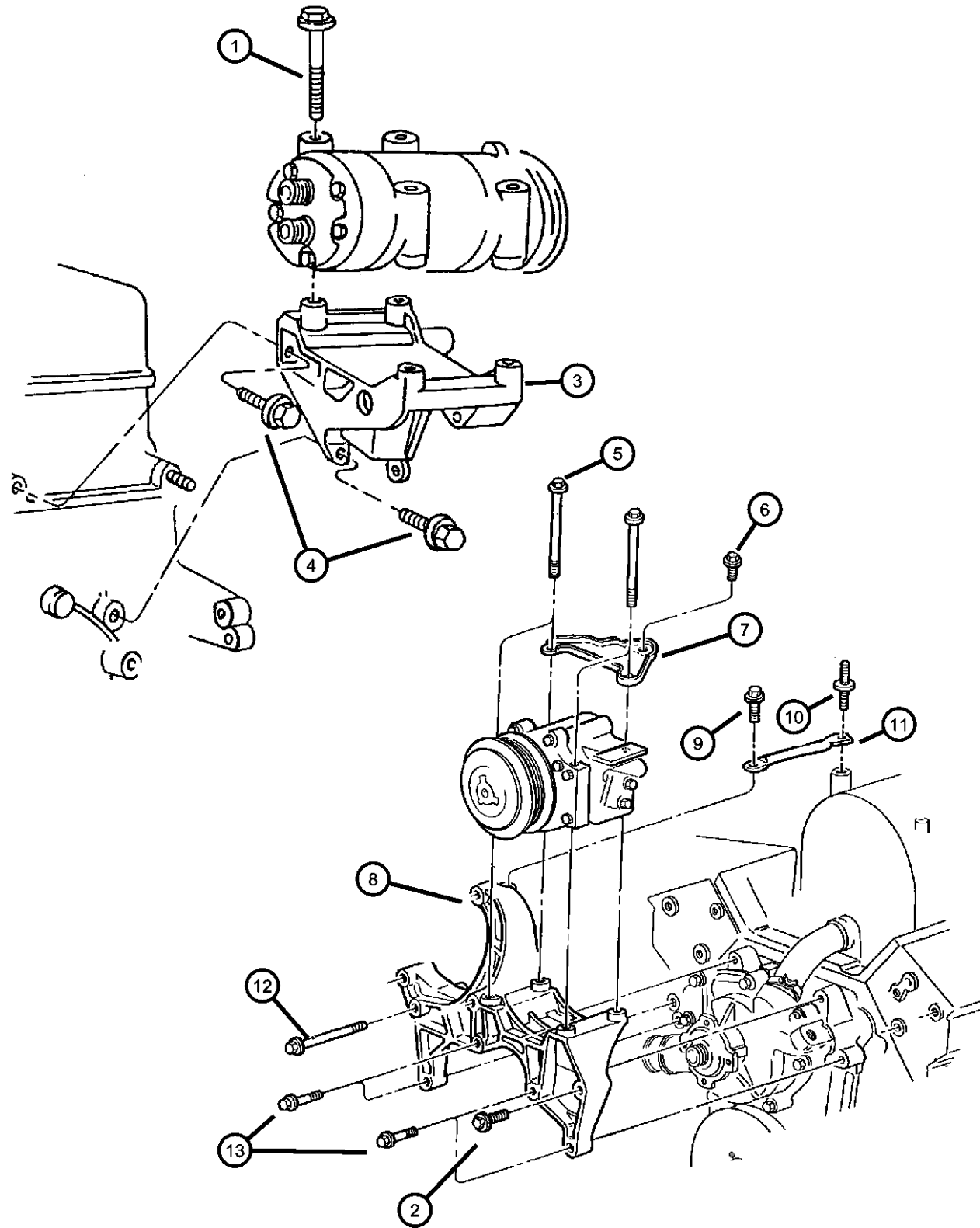
BODY
74 = SPORT UTILITY 4-DR

ENGINE
ELF = 5.2L V8 MPI Engine
EML = 5.9L V8 MPI Engine
ERH = 4.0L Power Tech I-6 Engine

TRANSMISSION
DGK = 4-Spd. Automatic 42RE Transmission
DGW = 4-Spd. Automatic 4RE Transmission
DG0 = Transmissions - All Automatic

AR = use ase required - = Non illustrated part

**Compressor Mounting
Figure 24-520**



| ITEM | PART NUMBER | QTY | LINE | SERIES | BODY | ENGINE | TRANS | TRIM | DESCRIPTION |
|------|-------------|-----|------|--------|------|----------|-------|------|---|
| 1 | | 1 | | | | | | | BOLT, M8 x 1.25-1, (NOT SERVICED) |
| 2 | 06034246 | 1 | | | | EL0, EM0 | | | BOLT, Hex Head, .375-16x.75 |
| 3 | | | | | | | | | BRACKET, Alternator And Compressor |
| | 53008614 | 1 | | | | EL0, EM0 | | | |
| | 53010224 | 1 | | | | ER0 | | | |
| 4 | 06025063 | 2 | | | | ER0 | | | SCREW AND WASHER, .375-16x1.125 |
| 5 | 06034789 | 4 | | | | EL0, EM0 | | | SCREW AND WASHER, Hex Head Coned Lock Washe, .312-18x3.75 |
| 6 | 06034789 | 4 | | | | | | | SCREW, (NOT SERVICED) |
| 7 | 53010252 | 1 | | | | EL0, EM0 | | | BRACE, A/C Compressor |
| 8 | 53008614 | 1 | | | | EL0, EM0 | | | BRACKET, Alternator And Compressor |
| 9 | 53008614 | 1 | | | | | | | SCREW, (NOT SERVICED) |
| 10 | 06034438 | 1 | | | | EL0, EM0 | | | STUD, .312-18/.375-16x1.750 |
| 11 | 53008746 | 1 | | | | EL0, EM0 | | | BRACE, Alternator |
| 12 | 06034247 | 1 | | | | EL0, EM0 | | | BOLT, Hex Head, .375-16x.25 |
| 13 | 06034247 | 1 | | | | | | | SCREW, (NOT SERVICED) |

GRAND CHEROKEE (ZJ)

SERIES LINE
L = LOWLINE T = JEEP - 2WD
 J = JEEP - 4WD

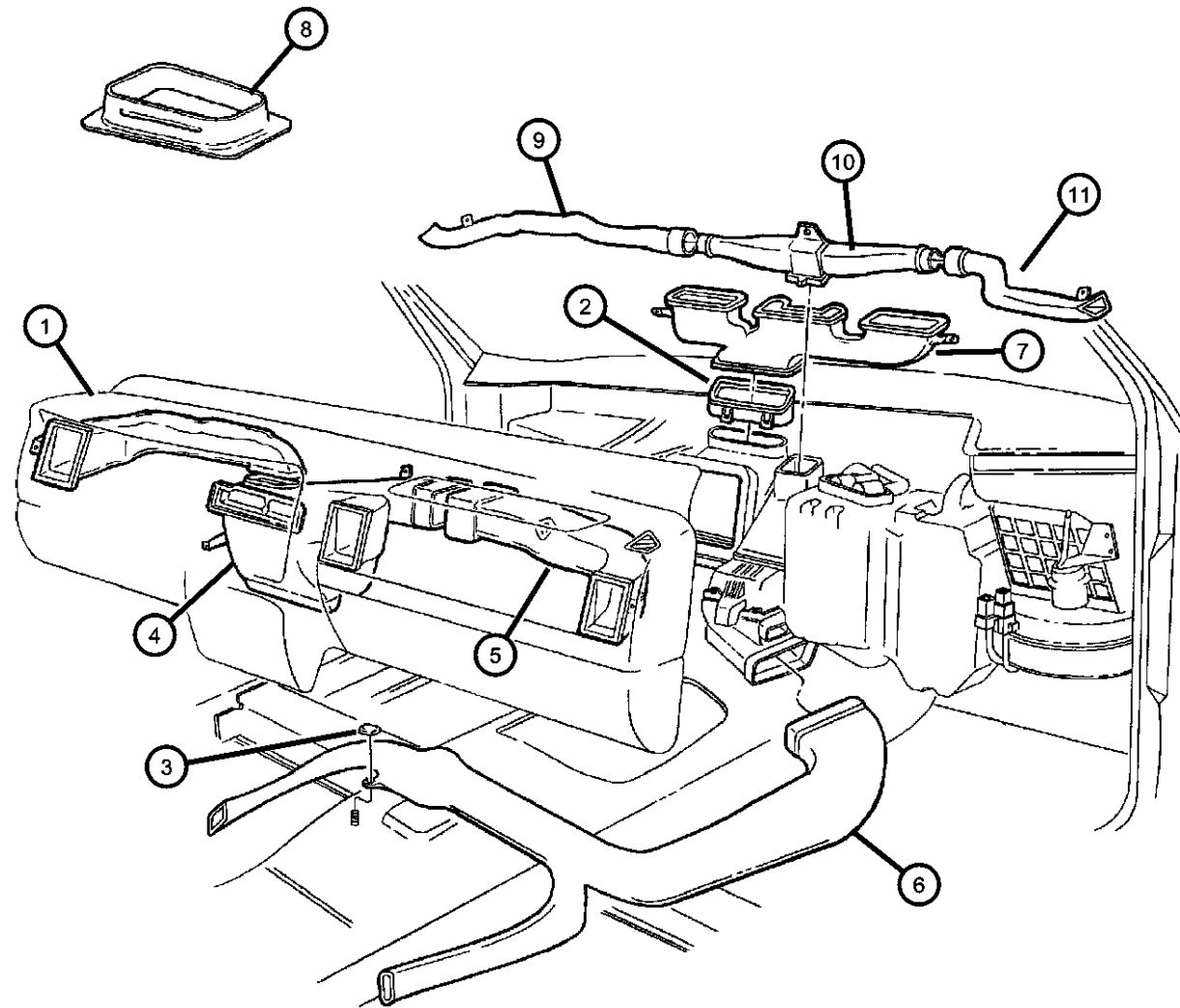
BODY
74 = SPORT UTILITY 4-DR

ENGINE
ELF = 5.2L V8 MPI Engine
EML = 5.9L V8 MPI Engine
ERH = 4.0L Power Tech I-6 Engine

TRANSMISSION
DGK = 4-Spd. Automatic 42RE Transmission
DGW = 4-Spd. Automatic 4RE Transmission
DG0 = Transmissions - All Automatic

AR = use ase required - = Non illustrated part

Air Ducts And Outlets
Figure 24-610



| ITEM | PART NUMBER | QTY | LINE | SERIES | BODY | ENGINE | TRANS | TRIM | DESCRIPTION |
|------|-------------|-----|------|--------|------|--------|-------|------|--|
| 1 | 55115233 | 1 | | | | | | | DUCT, Air Outlet, Left, Left Air Outlet |
| 2 | 04732061 | 1 | | | | | | | ADAPTER, Defroster Duct, Defroster Duct |
| 3 | 06504721 | 1 | | | | | | | NUT, Push-On Spring, 3, Push |
| 4 | 55115231 | 1 | | | | | | | DUCT, Instrument Panel, A/C Center |
| 5 | 55115232 | 1 | | | | | | | DUCT, Air Outlet, Right Air Outlet |
| 6 | 55116239AB | 1 | | | | | | | DUCT, Rear Floor Heat |
| 7 | 55115761AB | 1 | | | | | | | DUCT, Defroster, Defroster |
| 8 | 55036517 | 1 | | | | | | | BAFFLE, Air Intake, Inlet *** |
| 9 | 55115235 | 1 | | | | | | | DUCT, Side Window, Left Side Window Defroster |
| 10 | 55115329 | 1 | | | | | | | OUTLET, Demister, Center Side Window Defroster |
| 11 | 55115234 | 1 | | | | | | | DUCT, Side Window, Right Side Window Defroster |
| -12 | 06032723 | 5 | | | | | | | SCREW, Self Tapping, M4.2x1.69x19.05, Duct Attaching |

GRAND CHEROKEE (ZJ)

SERIES LINE
L = LOWLINE T = JEEP - 2WD
 J = JEEP - 4WD

BODY
74 = SPORT UTILITY 4-DR

ENGINE
ELF = 5.2L V8 MPI Engine
EML = 5.9L V8 MPI Engine
ERH = 4.0L Power Tech I-6 Engine

TRANSMISSION
DGK = 4-Spd. Automatic 42RE Transmission
DGW = 4-Spd. Automatic 4RE Transmission
DG0 = Transmissions - All Automatic

AR = use ase required - = Non illustrated part

1997 ZJ

Group - 25

Emission Systems

Group - 25 Emission Systems

Illustration Title

Group-Fig. No.

Emission Labels

Emission LabelsFig. 25 - 130

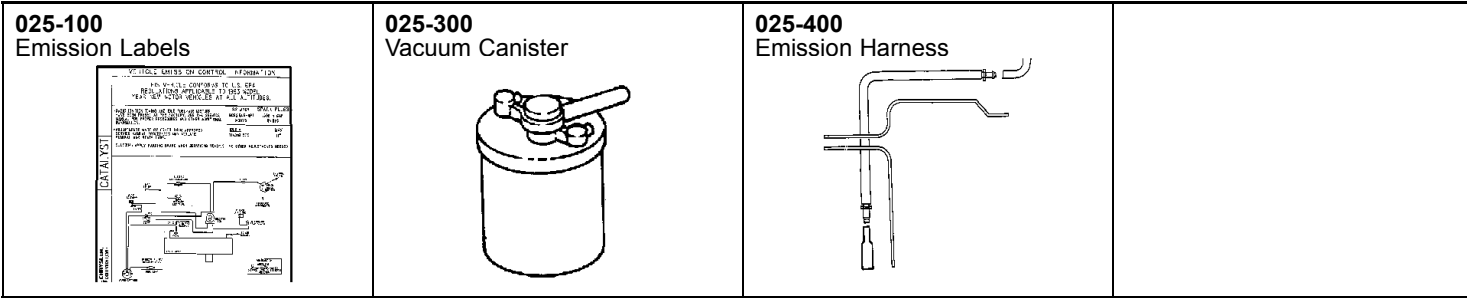
Vacuum Canister

Vacuum CanisterFig. 25 - 350

Emission Harness

Emission Control Vacuum HarnessFig. 25 - 450

Emission Control Vacuum HarnessFig. 25 - 460



Emission Labels
Figure 25-130

| ITEM | PART NUMBER | QTY | LINE | SERIES | BODY | ENGINE | TRANS | TRIM | DESCRIPTION |
|------|-------------|-----|------|--------|------|--------|-------|------|-------------|
|------|-------------|-----|------|--------|------|--------|-------|------|-------------|

NOTE: NAA=Federal NAE=California DHP=Select-Trac DHR=Quadra-Trac

1

LABEL, Emission

| | | | | | | | | | |
|------------|---|---|--|--|--|-----|--|--|------------------------|
| 04854517 | 1 | T | | | | ERH | | | Federal |
| | 1 | J | | | | ERH | | | Federal, w/Selec-Trac |
| 04854518AB | 1 | | | | | ERH | | | California |
| 04854519 | 1 | T | | | | ERH | | | Canada |
| | 1 | J | | | | ERH | | | Canada, w/Selec-Trac |
| 04854600 | 1 | J | | | | ERH | | | Federal, w/Quadra-Trac |
| 04854602 | 1 | J | | | | ERH | | | Canada, w/Quadra-Trac |
| 53031604 | 1 | J | | | | EML | | | Federal |
| 53031605 | 1 | J | | | | EML | | | Canada |
| 53031606 | 1 | J | | | | EML | | | California |
| 53032593 | 1 | J | | | | ELF | | | Federal |
| 53032594 | 1 | T | | | | ELF | | | Federal |
| 53032595 | 1 | J | | | | ELF | | | Canada |
| 53032596 | 1 | T | | | | ELF | | | Canada |
| 53032597 | 1 | | | | | ELF | | | California |

GRAND CHEROKEE (ZJ)

SERIES LINE
L = LOWLINE T = JEEP - 2WD
J = JEEP - 4WD

BODY
74 = SPORT UTILITY 4-DR

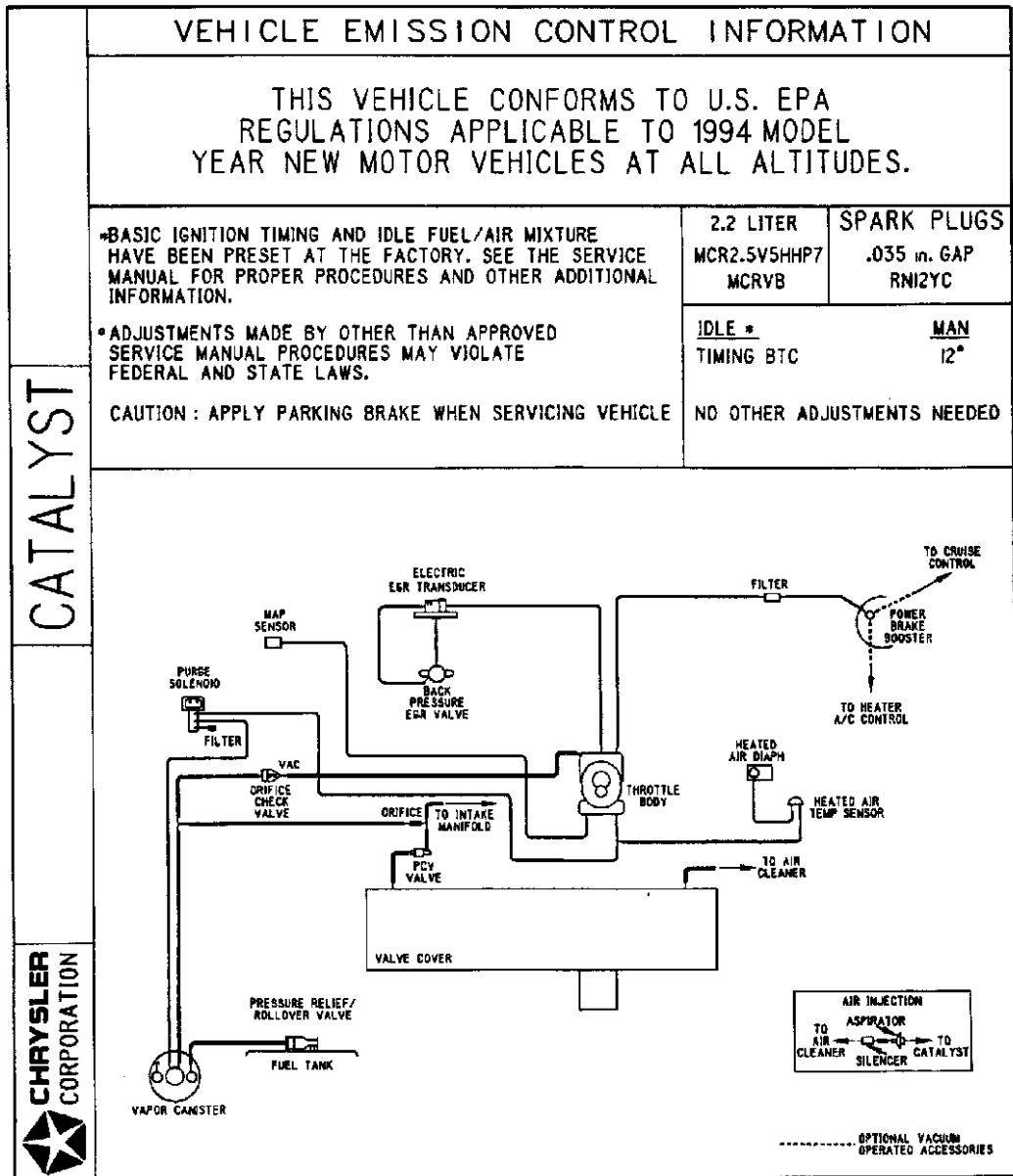
ENGINE
ELF = 5.2L V8 MPI Engine
EML = 5.9L V8 MPI Engine
ERH = 4.0L Power Tech I-6 Engine

TRANSMISSION
DGK = 4-Spd. Automatic 42RE Transmission
DGW = 4-Spd. Automatic 4RE Transmission
DG0 = Transmissions - All Automatic

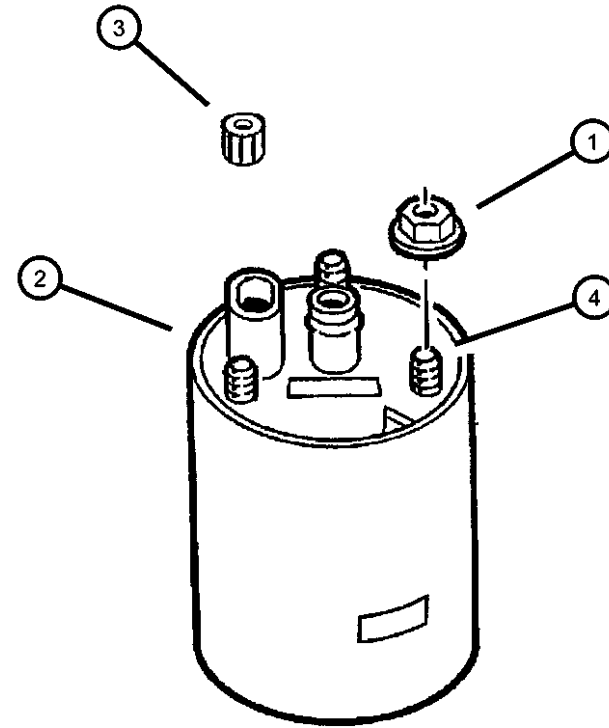
AR = use ase required - = Non illustrated part

1997 ZJ

1



Vacuum Canister
Figure 25-350



| ITEM | PART NUMBER | QTY | LINE | SERIES | BODY | ENGINE | TRANS | TRIM | DESCRIPTION |
|------|-------------|-----|------|--------|------|----------|-------|------|-----------------------------|
| 1 | 06500284 | 4 | | | | ER0 | | | NUT, Hex, M6x1.00 |
| | | 3 | | | | EM0 | | | |
| | | 4 | | | | ELO | | | |
| 2 | 04601673 | 1 | | | | EM0 | | | CANISTER, Vapor |
| | 53030837 | 1 | | | | ER0 | | | |
| | | 1 | | | | ELO | | | |
| 3 | 04192074 | 1 | | | | EM0 | | | CAP, Vapor Canister |
| 4 | 06503951 | 4 | | | | ER0 | | | STUD, M6X1.00X.250-14X30.00 |
| | | 4 | | | | ELO, EM0 | | | |

GRAND CHEROKEE (ZJ)

SERIES LINE
L = LOWLINE T = JEEP - 2WD
 J = JEEP - 4WD

BODY
74 = SPORT UTILITY 4-DR

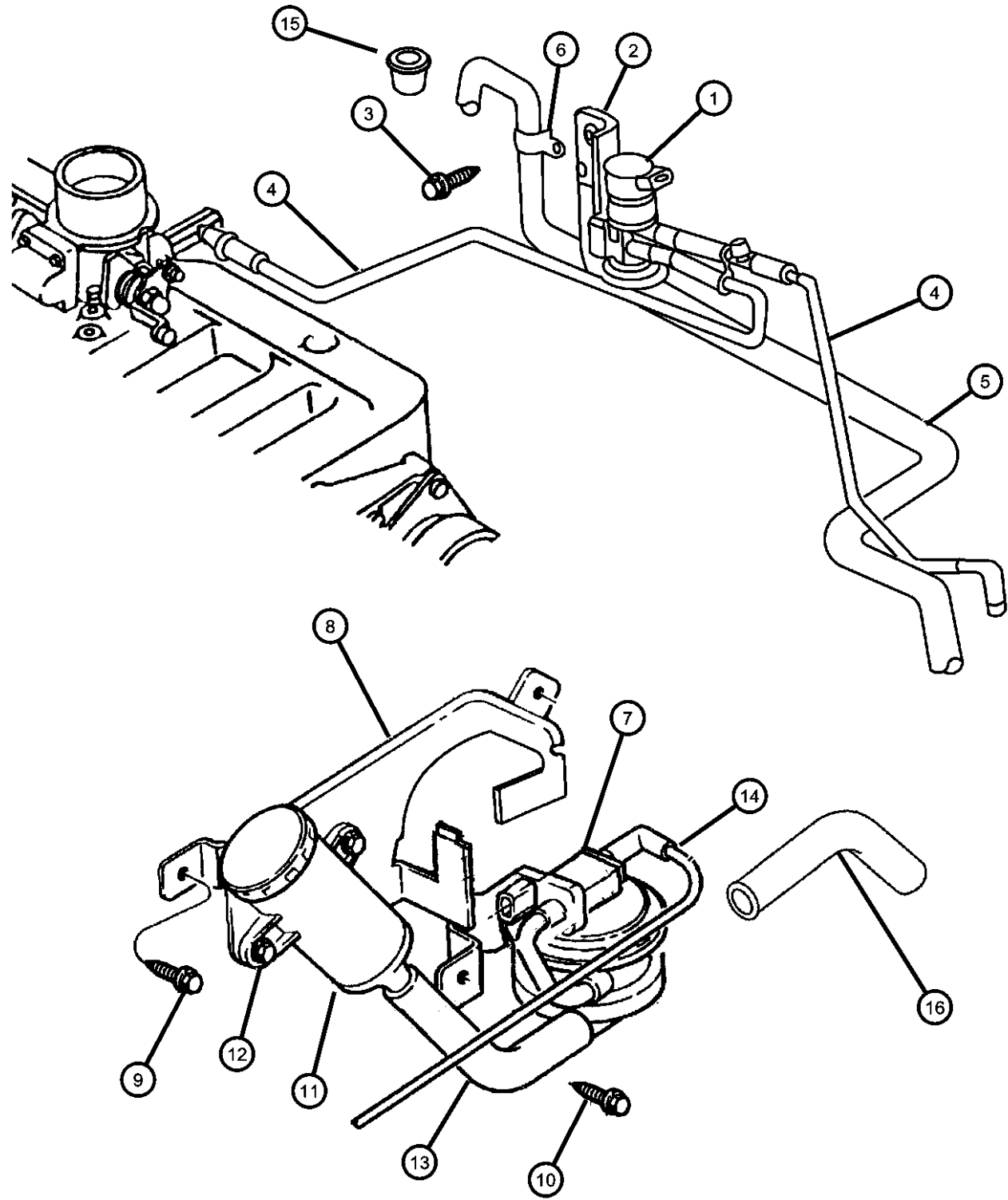
ENGINE
ELF = 5.2L V8 MPI Engine
EML = 5.9L V8 MPI Engine
ERH = 4.0L Power Tech I-6
Engine

TRANSMISSION
DGK = 4-Spd. Automatic 42RE
Transmission
DGW = 4-Spd. Automatic 4RE
Transmission
DG0 = Transmissions - All Automatic

AR = use ase required - = Non illustrated part

1997 ZJ

**Emission Control Vacuum Harness
Figure 25-450**



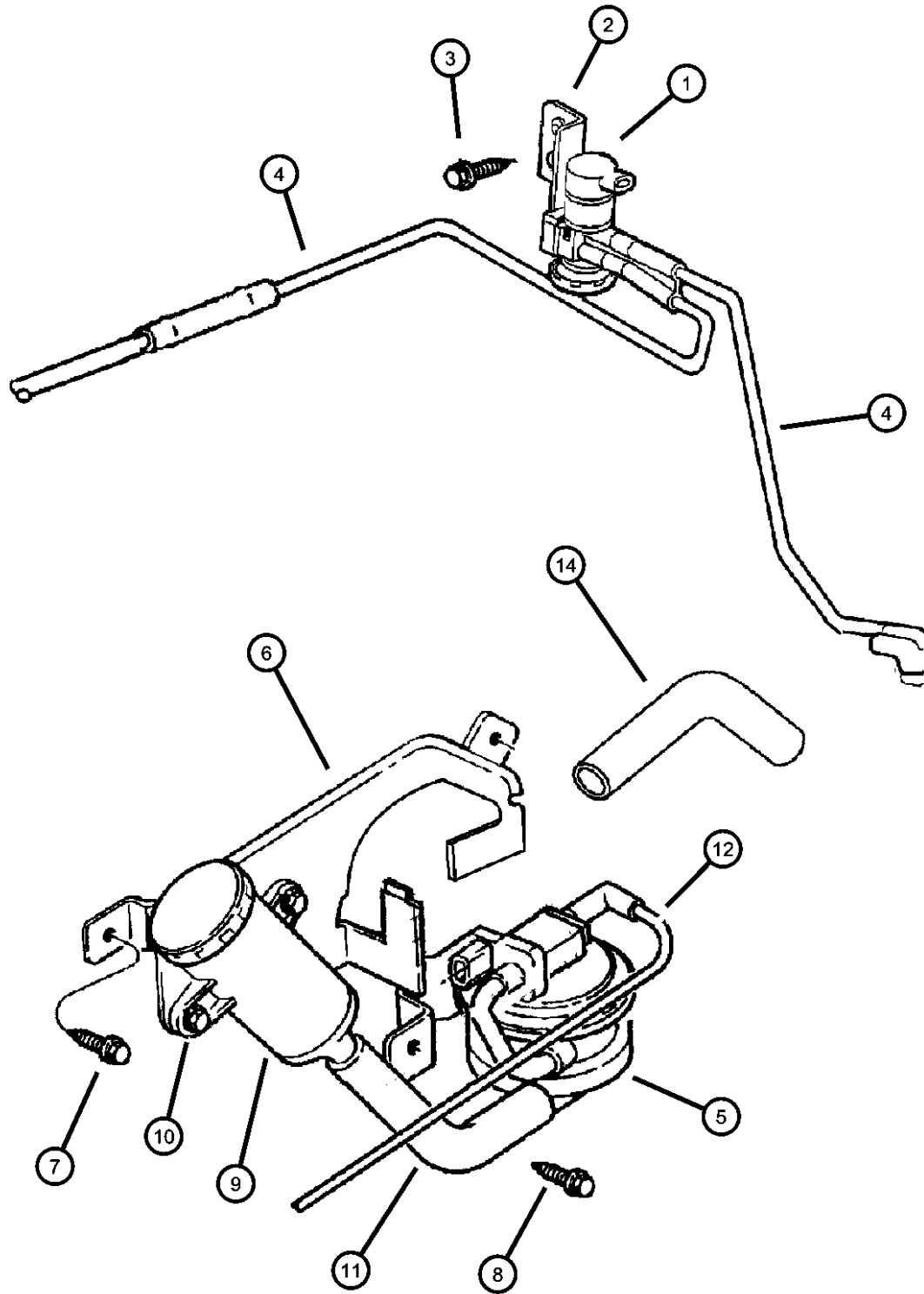
| ITEM | PART NUMBER | QTY | LINE | SERIES | BODY | ENGINE | TRANS | TRIM | DESCRIPTION |
|------|-------------|-----|------|--------|------|---------------|-------|------|--|
| 1 | 04669475AB | 1 | | | | ER0 | | | SOLENOID, Duty Cycle Purge |
| 2 | 04882995 | 1 | | | | ER0 | | | BRACKET, Duty Cycle Purge Solenoid, w/Grommet and Spacer |
| 3 | 06035726 | 1 | | | | EL0, EM0, ER0 | | | SCREW, Hex Head, .25-14x1.25 |
| 4 | 53030836 | 1 | | | | ER0 | | | HARNESS, Duty Cycle Purge Solenoid |
| 5 | 04854152 | 1 | | | | EL0, ER0 | | | TUBE, Vent |
| 6 | 04854152 | 1 | | | | | | | CLIP, (NOT SERVICED) |
| 7 | 04669336 | 1 | | | | EL0, ER0 | | | PUMP, Leak Detection |
| 8 | 53030833 | 1 | | | | EL0, ER0 | | | BRACKET, Leak Detection Pump |
| 9 | 53030833 | 1 | | | | | | | SCREW, .250-14x.699, (NOT SERVICED) |
| 10 | 06035482 | 1 | | | | EL0, ER0 | | | SCREW, Tapping, .19-16x.375 |
| 11 | 04612901 | 1 | | | | EL0, ER0 | | | FILTER, Fuel Vapor Vent |
| 12 | 04612901 | 1 | | | | | | | SCREW, M6x1.00x11.00, (NOT SERVICED) |
| 13 | 53030832 | 1 | | | | EL0, ER0 | | | HOSE, Leak Detection Pump |
| 14 | 53030835 | 1 | | | | ER0 | | | TUBE, LDP to Intake Manifold |
| 15 | 53030835 | 1 | | | | | | | CAP, Vent Tube, (NOT REQUIRED) |
| 16 | 53032110AB | 1 | | | | EL0, ER0 | | | HOSE, Leak Detection Pump, To Vapor Canister Hose |

GRAND CHEROKEE (ZJ)

| | | | | |
|-------------|----------------------------------|-------------------------|--|--|
| SERIES | LINE | BODY | ENGINE | TRANSMISSION |
| L = LOWLINE | T = JEEP - 2WD J = JEEP - 4WD | 74 = SPORT UTILITY 4-DR | ELF = 5.2L V8 MPI Engine EML = 5.9L V8 MPI Engine ERH = 4.0L Power Tech I-6 Engine | DGK = 4-Spd. Automatic 42RE Transmission DGW = 4-Spd. Automatic 4RE Transmission DG0 = Transmissions - All Automatic |

AR = use ase required - = Non illustrated part

Emission Control Vacuum Harness
Figure 25-460



| ITEM | PART NUMBER | QTY | LINE | SERIES | BODY | ENGINE | TRANS | TRIM | DESCRIPTION |
|------|-------------|-----|------|--------|------|---------------|-------|------|--|
| 1 | 04669475AB | 1 | | | | EL0, EM0 | | | SOLENOID, Duty Cycle Purge |
| 2 | 04882995 | 1 | | | | EL0, EM0 | | | BRACKET, Duty Cycle Purge Solenoid |
| 3 | 06035726 | 1 | | | | EL0, EM0, ER0 | | | SCREW, Hex Head, .25-14x1.25 |
| 4 | | | | | | | | | HARNESS, Canister Purge |
| | 04854146 | 1 | | | | EM0 | | | |
| | 53032113 | 1 | | | | EL0 | | | |
| 5 | 04669336 | 1 | | | | EL0, ER0 | | | PUMP, Leak Detection |
| 6 | 53030833 | 1 | | | | EL0, ER0 | | | BRACKET, Leak Detection Pump |
| 7 | 53030833 | 1 | | | | | | | SCREW, .250-14x.699, (NOT SERVICED) |
| 8 | 06035482 | 1 | | | | EL0, ER0 | | | SCREW, Tapping, .19-16x.375 |
| 9 | 04612901 | 1 | | | | EL0, ER0 | | | FILTER, Fuel Vapor Vent |
| 10 | 04612901 | 1 | | | | | | | SCREW, M6x1.00x11.00, (NOT SERVICED) |
| 11 | 53030832 | 1 | | | | EL0, ER0 | | | HOSE, Leak Detection Pump |
| 12 | 53030981 | 1 | | | | EL0 | | | TUBE, Manifold Vacuum |
| -13 | 53030981 | 1 | | | | | | | TUBE, LDP to Intake Manifold, (NOT REQUIRED) |
| 14 | 53032110AB | 1 | | | | EL0, ER0 | | | HOSE, Leak Detection Pump |

GRAND CHEROKEE (ZJ)

SERIES LINE
L = LOWLINE T = JEEP - 2WD
J = JEEP - 4WD

BODY
74 = SPORT UTILITY 4-DR

ENGINE
ELF = 5.2L V8 MPI Engine
EML = 5.9L V8 MPI Engine
ERH = 4.0L Power Tech I-6 Engine

TRANSMISSION
DGK = 4-Spd. Automatic 42RE
Transmission
DGW = 4-Spd. Automatic 4RE
Transmission
DG0 = Transmissions - All Automatic

AR = use ase required - = Non illustrated part

1997 ZJ

Group - DZJ

Doors and Related Parts

Group - DZJ Doors and Related Parts

Illustration Title

Group-Fig. No.

Front Door

| | |
|--|----------------|
| Door, Front Shell And Hinges | Fig. DZJ - 110 |
| Door, Front Glass And Regulators | Fig. DZJ - 120 |
| Door, Front Lock And Controls | Fig. DZJ - 130 |

Rear Door

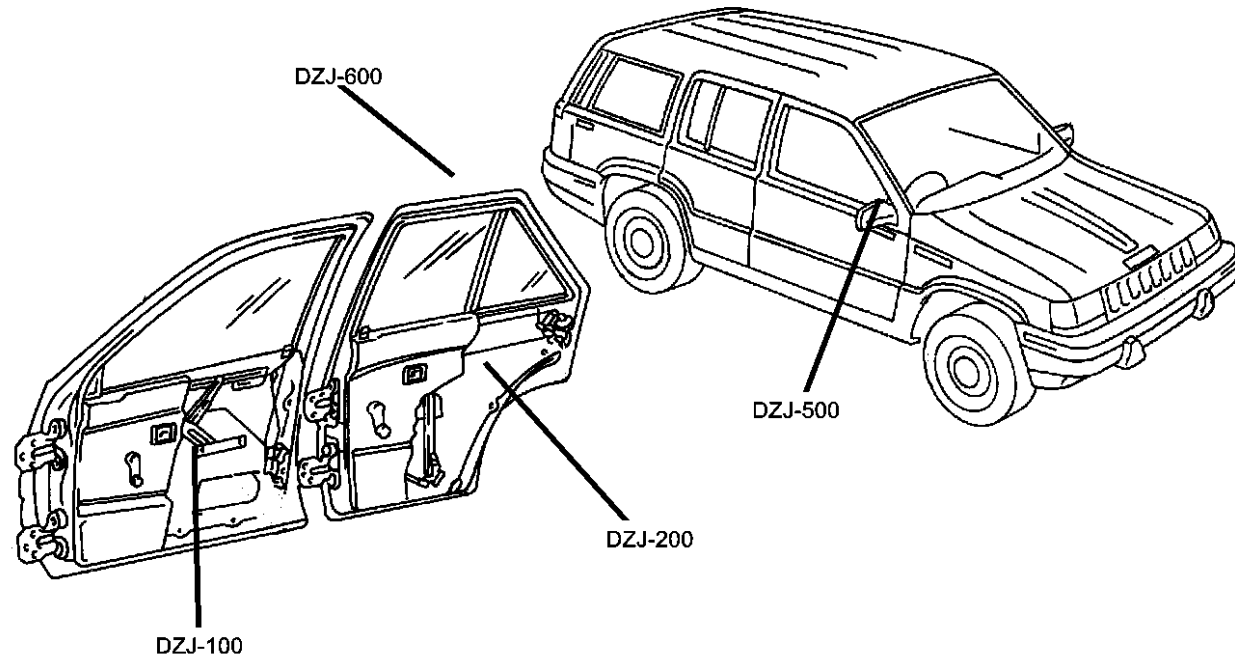
| | |
|---------------------------------------|----------------|
| Door, Rear Shell And Hinges | Fig. DZJ - 210 |
| Door, Rear Glass And Regulators | Fig. DZJ - 220 |
| Doors, Rear Lock And Controls | Fig. DZJ - 230 |

Exterior Mirror

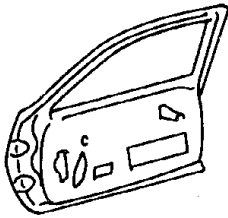
| | |
|-------------------------|----------------|
| Mirrors, Exterior | Fig. DZJ - 510 |
|-------------------------|----------------|

Weatherstrips and Seals

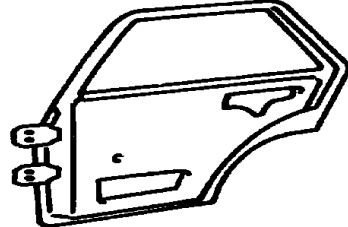
| | |
|---|----------------|
| Door, Front Weatherstrips And Seals | Fig. DZJ - 610 |
| Door, Rear Weatherstrips And Seals | Fig. DZJ - 620 |



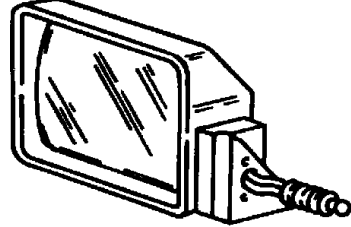
DZJ-100
Front Door



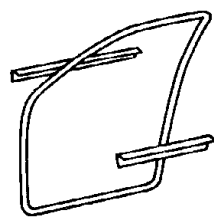
DZJ-200
Rear Door



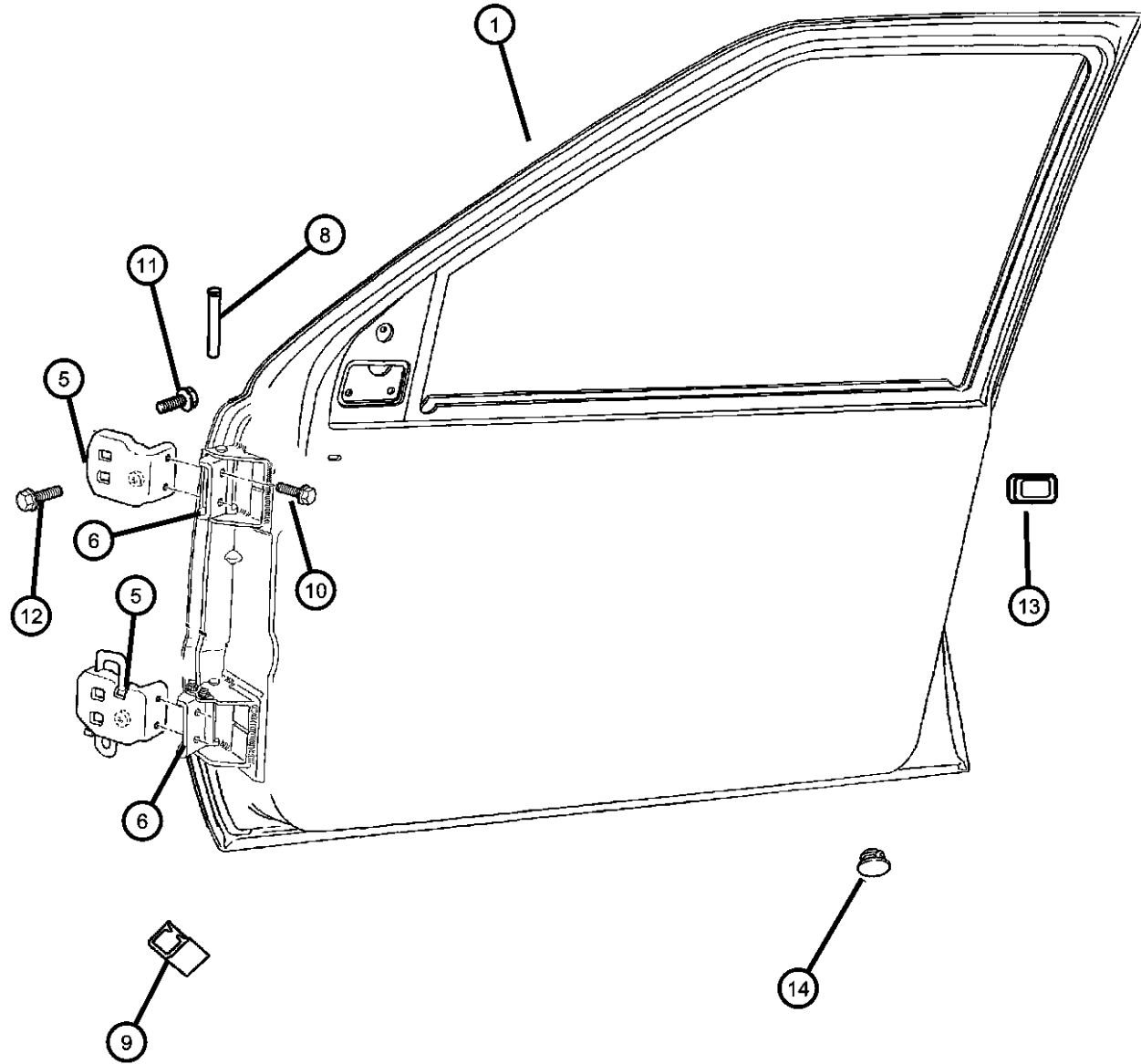
DZJ-500
Exterior Mirror



DZJ-600
Weatherstrips and Seals



**Door, Front Shell And Hinges
Figure DZJ-110**



| ITEM | PART NUMBER | QTY | LINE | SERIES | BODY | ENGINE | TRANS | TRIM | DESCRIPTION |
|------|-------------|-----|------|--------|------|--------|-------|------|---|
| 1 | 04882030 | 1 | | | | | | | DOOR, Front Right |
| | 04882031 | 1 | | | | | | | Left |
| -2 | 55295906 | 1 | | | | | | | PANEL, Front Door Outer Repair Right |
| | 55295907 | 1 | | | | | | | Left |
| -3 | 55031663 | 1 | | | | | | | REINFORCEMENT Left |
| | 55296022 | 1 | | | | | | | Right |
| -4 | 55295996 | 1 | | | | | | | WATERDAM, Front Door Right |
| | 55295997 | 1 | | | | | | | Left |
| 5 | 55033502 | 2 | | | | | | | HINGE, Front Door Body Half Upper |
| | 55295892AB | 1 | | | | | | | Lower Right |
| | 55295893AB | 1 | | | | | | | Lower Left |
| 6 | 55076200 | 1 | | | | | | | HINGE, Door Half Lower Right |
| | 55076201 | 1 | | | | | | | Lower Left |
| | 55076202 | 2 | | | | | | | Upper, Right & Left |
| -7 | 55076192 | 2 | | | | | | | PIN, Door Hinge, Hinge |
| 8 | 55074591 | 4 | | | | | | | BUSHING, Pin, Hinge Pin |
| 9 | 55295890 | 1 | | | | | | | CLIP, Torque Rod Damper |
| 10 | 06502686 | 8 | | | | | | | SCREW, Hex Head, M8x1.25x25, Hinge to Hinge |
| 11 | 06502282 | 4 | | | | | | | SCREW, Hex Head, M8x1.25x30 |
| 12 | 06503538 | 2 | | | | | | | SCREW AND WASHER, Hex Head, M8x1.25x30 |
| 13 | 55002368 | 2 | | | | | | | PLUG, Door Latch, Latch Access |
| 14 | 02860332 | 2 | | | | | | | PLUG, Anti-Rattle, Door |

GRAND CHEROKEE (ZJ)

SERIES LINE
L = LOWLINE T = JEEP - 2WD
 J = JEEP - 4WD

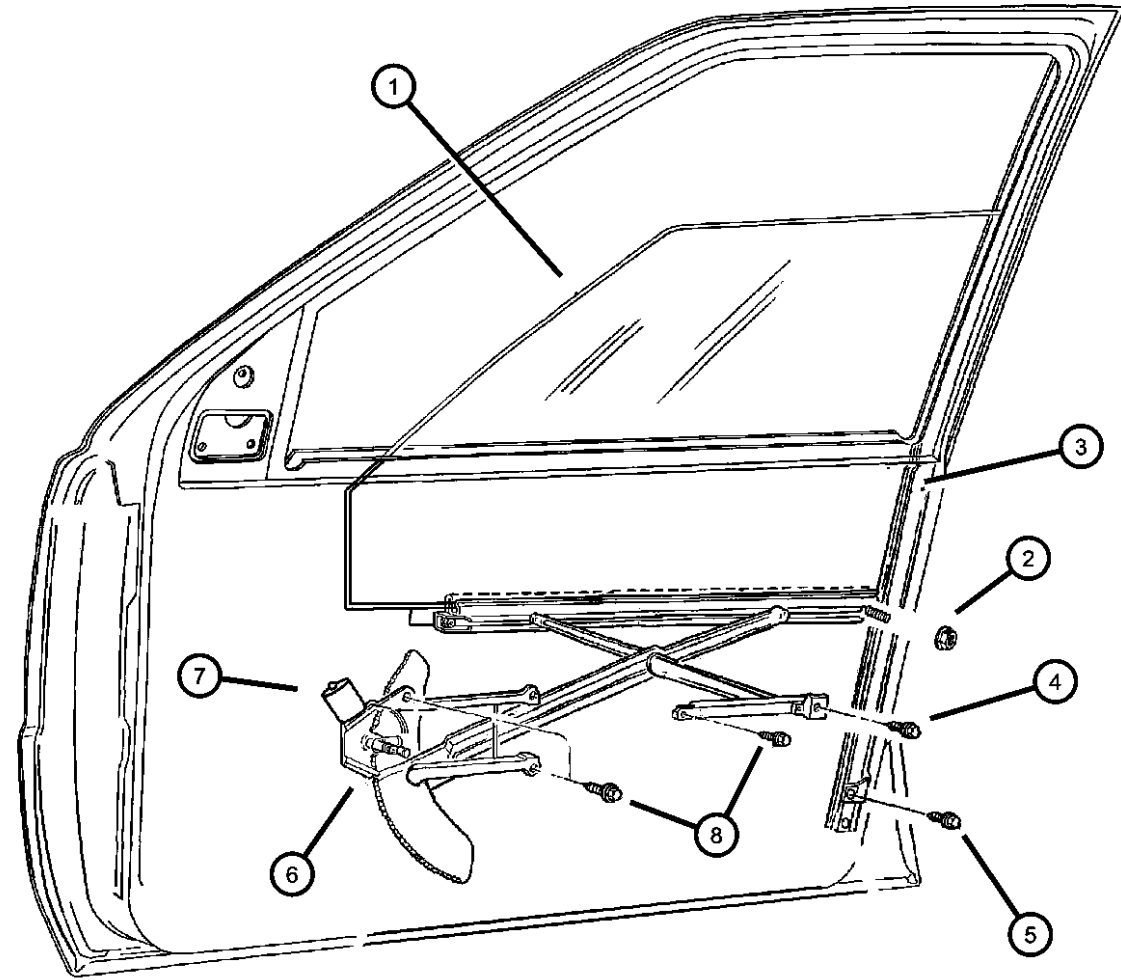
BODY
74 = SPORT UTILITY 4-DR

ENGINE
ELF = 5.2L V8 MPI Engine
EML = 5.9L V8 MPI Engine
ERH = 4.0L Power Tech I-6 Engine

TRANSMISSION
DGK = 4-Spd. Automatic 42RE Transmission
DGW = 4-Spd. Automatic 4RE Transmission
DG0 = Transmissions - All Automatic

AR = use ase required - = Non illustrated part

Door, Front Glass And Regulators
Figure DZJ-120



| ITEM | PART NUMBER | QTY | LINE | SERIES | BODY | ENGINE | TRANS | TRIM | DESCRIPTION |
|------|-------------|-----|------|--------|------|--------|-------|------|-----------------------------------|
| 1 | | | | | | | | | GLASS, Front Door |
| | 55255926 | 1 | | | | | | | Right |
| | 55255927 | 1 | | | | | | | Left |
| 2 | 06502691 | 4 | | | | | | | NUT, Hex Flange Lock, M6x1, Glass |
| 3 | | | | | | | | | CHANNEL, Front Door Glass Lower |
| | 55076244 | 1 | | | | | | | w/Weatherstrip, Right |
| | 55076245 | 1 | | | | | | | w/Weatherstrip, Left |
| 4 | 55076245 | 1 | | | | | | | SCREW, (NOT SERVICED), |
| 5 | 55076245 | 1 | | | | | | | SCREW, (NOT SERVICED) |
| 6 | | | | | | | | | REGULATOR, Front Door Window |
| | 04798378AB | 1 | | | | | | | Right |
| | 04798379AB | 1 | | | | | | | Left |
| 7 | | | | | | | | | MOTOR, Window Regulator |
| | 56005164 | 1 | | | | | | | Right |
| | R6005164 | | | | | | | | Mopar Remanufactured Part |
| | 56005165 | 1 | | | | | | | Left |
| | R6005165 | | | | | | | | Mopar Remanufactured Part |
| 8 | 56005165 | 1 | | | | | | | SCREW, (NOT SERVICED) |

GRAND CHEROKEE (ZJ)

SERIES LINE
L = LOWLINE T = JEEP - 2WD
 J = JEEP - 4WD

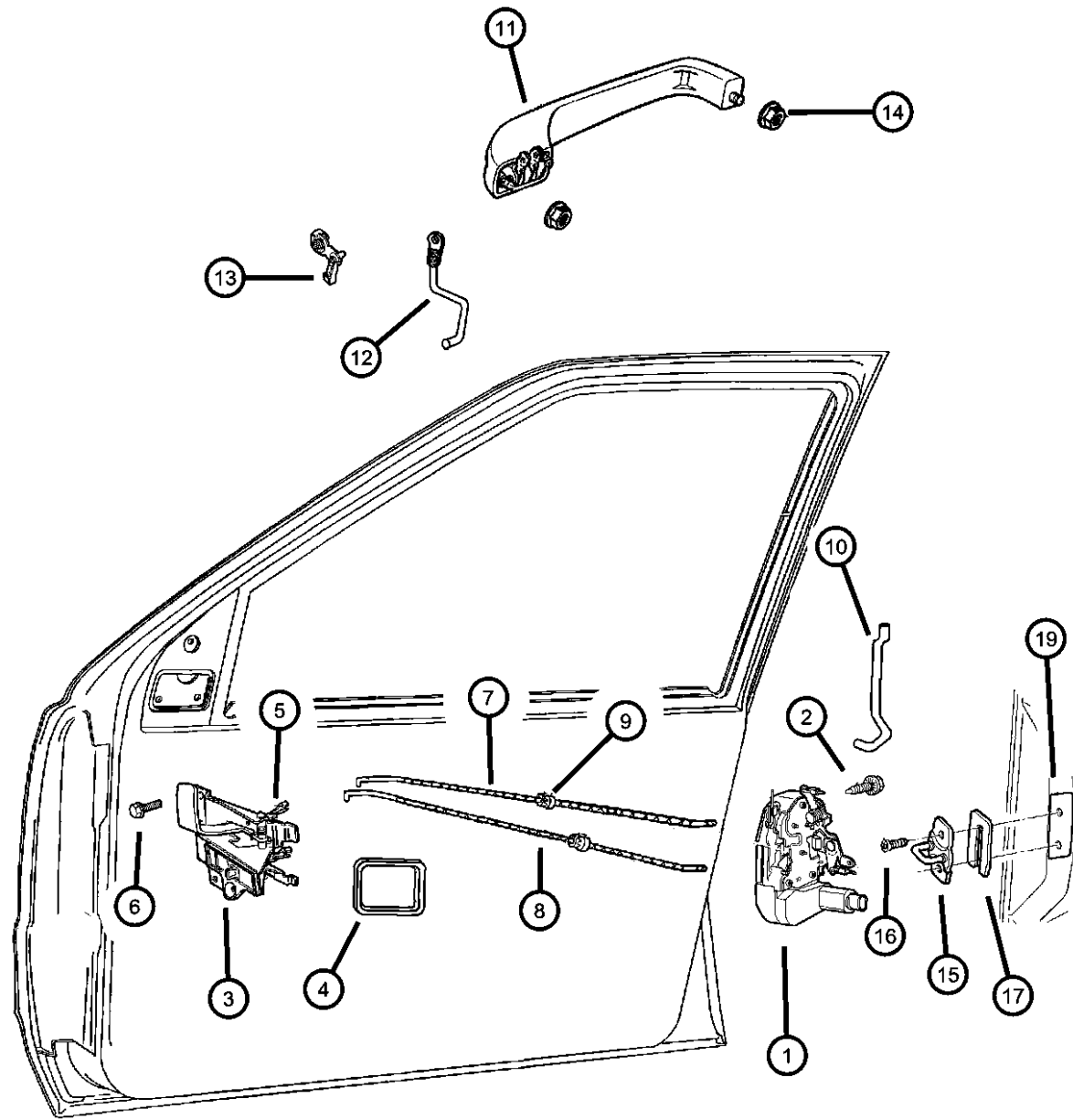
BODY
74 = SPORT UTILITY 4-DR

ENGINE
ELF = 5.2L V8 MPI Engine
EML = 5.9L V8 MPI Engine
ERH = 4.0L Power Tech I-6 Engine

TRANSMISSION
DGK = 4-Spd. Automatic 42RE Transmission
DGW = 4-Spd. Automatic 4RE Transmission
DG0 = Transmissions - All Automatic

AR = use ase required - = Non illustrated part

Door, Front Lock And Controls
Figure DZJ-130



| ITEM | PART NUMBER | QTY | LINE | SERIES | BODY | ENGINE | TRANS | TRIM | DESCRIPTION |
|------|-------------|-----|------|--------|------|--------|-------|------|---|
| 1 | 04798914AB | 1 | | | | | | | LATCH PKG, FRONT DOOR Right |
| | 04798915AB | 1 | | | | | | | Left |
| 2 | 06033876 | 6 | | | | | | | SCREW, Tapping, M6.3x1.8x38.1, Latch |
| 3 | 55295964 | 1 | | | | | | | HANDLE, Interior Door Laredo, Right |
| | 55295965 | 1 | | | | | | | Laredo, Left |
| | 55295966 | 1 | | | | | | | Limited, Right |
| | 55295967 | 1 | | | | | | | Limited, Left |
| 4 | 55075619AB | 1 | | | | | | | GASKET, Remote Control Handle, Remote Control Handle |
| 5 | 04658677 | 2 | | | | | | | CLIP, Latch Link |
| 6 | 04658677 | 2 | | | | | | | SCREW, (NOT SERVICED) |
| 7 | 55074828 | 1 | | | | | | | ROD, Inside Handle to Latch Right |
| | 55074829 | 1 | | | | | | | Left |
| 8 | 55074826 | 1 | | | | | | | ROD, Inside Lock to Latch Right |
| | 55074827 | 1 | | | | | | | Left |
| 9 | 03882620 | 4 | | | | | | | CLIP, Door Latch Anti-Rattle, Anti-Rattle |
| 10 | 55076014 | 1 | | | | | | | LINK, Key Cylinder To Latch Right |
| | 55076015 | 1 | | | | | | | Left |
| 11 | 55076092 | 1 | | | | | | | HANDLE, Front Door Exterior Right |
| | 55076093 | 1 | | | | | | | Left |
| 12 | 55076094 | 1 | | | | | | | LINK, Exterior Door Handle Right |
| | 55076095 | 1 | | | | | | | Left |
| 13 | 03454220 | 1 | | | | | | | CLIP, Parking Brake Cable |
| 14 | 06503226 | 4 | | | | | | | NUT, Hex Flange, M5x.8, Exterior Handle |
| 15 | 04520288 | 2 | | | | | | | STRIKER, Door Latch, Latch |
| 16 | 06504573 | 4 | J | | 74 | | | | SCREW, Oval Head, SCREW, Striker |

GRAND CHEROKEE (ZJ)

SERIES LINE
L = LOWLINE T = JEEP - 2WD
 J = JEEP - 4WD

BODY
74 = SPORT UTILITY 4-DR

ENGINE
ELF = 5.2L V8 MPI Engine
EML = 5.9L V8 MPI Engine
ERH = 4.0L Power Tech I-6
Engine

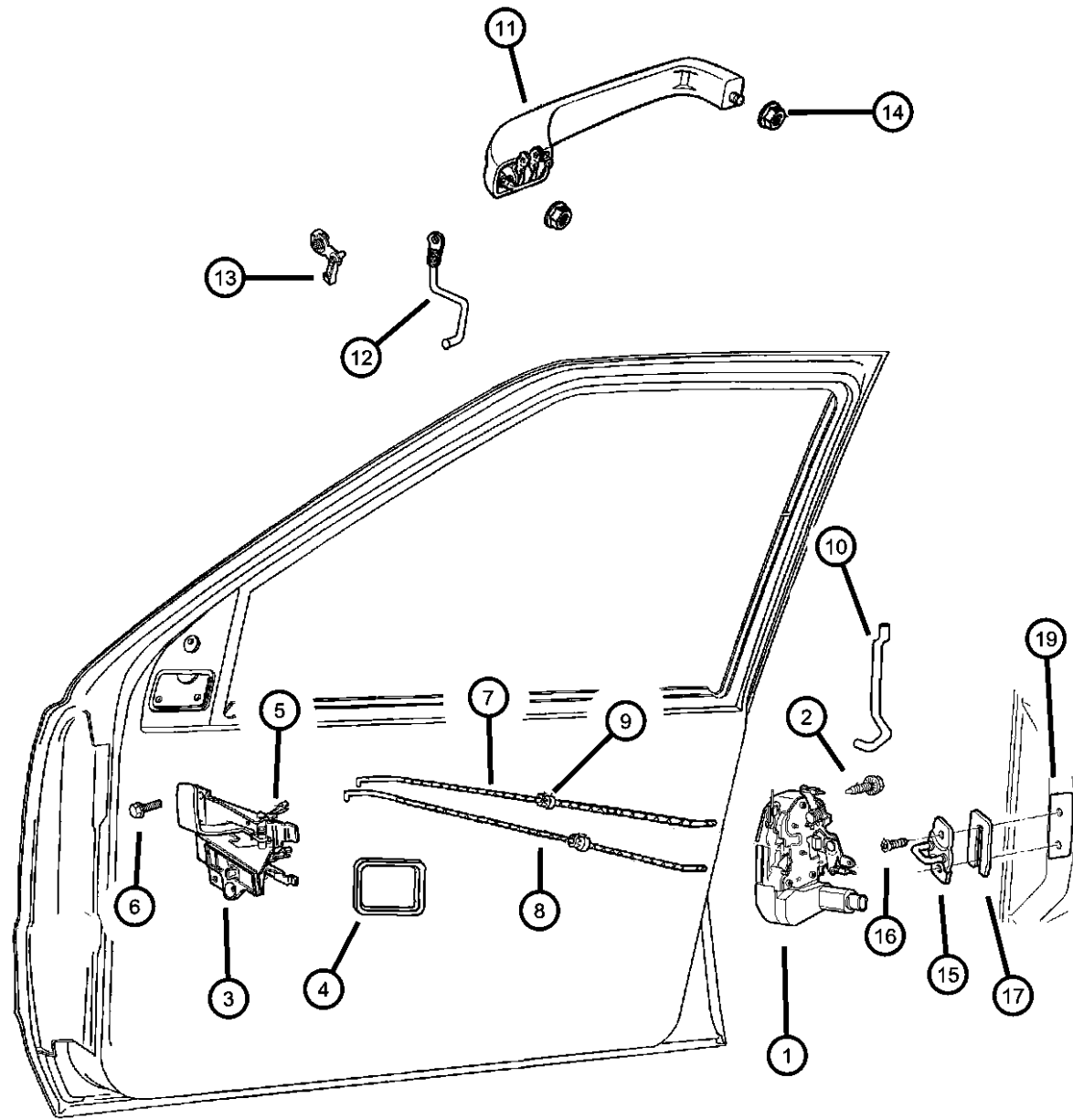
TRANSMISSION
DGK = 4-Spd. Automatic 42RE
Transmission
DGW = 4-Spd. Automatic 4RE
Transmission
DG0 = Transmissions - All Automatic

AR = use ase required - = Non illustrated part

1997 ZJ

Door, Front Lock And Controls
Figure DZJ-130

| ITEM | PART NUMBER | QTY | LINE | SERIES | BODY | ENGINE | TRANS | TRIM | DESCRIPTION |
|------|-------------|-----|------|--------|------|--------|-------|------|-------------|
|------|-------------|-----|------|--------|------|--------|-------|------|-------------|



| | | | | | | | | | |
|-----|----------|----|--|--|--|--|--|--|--|
| 17 | 04520289 | AR | | | | | | | SPACER, Door Latch Striker |
| -18 | 55075483 | AR | | | | | | | SPACER, Door Latch Striker, 2.0/2.5 |
| 19 | 55256000 | 2 | | | | | | | PLATE, Front Door Striker, Striker Tapping |

GRAND CHEROKEE (ZJ)

SERIES LINE
L = LOWLINE T = JEEP - 2WD
 J = JEEP - 4WD

BODY
74 = SPORT UTILITY 4-DR

ENGINE
ELF = 5.2L V8 MPI Engine
EML = 5.9L V8 MPI Engine
ERH = 4.0L Power Tech I-6 Engine

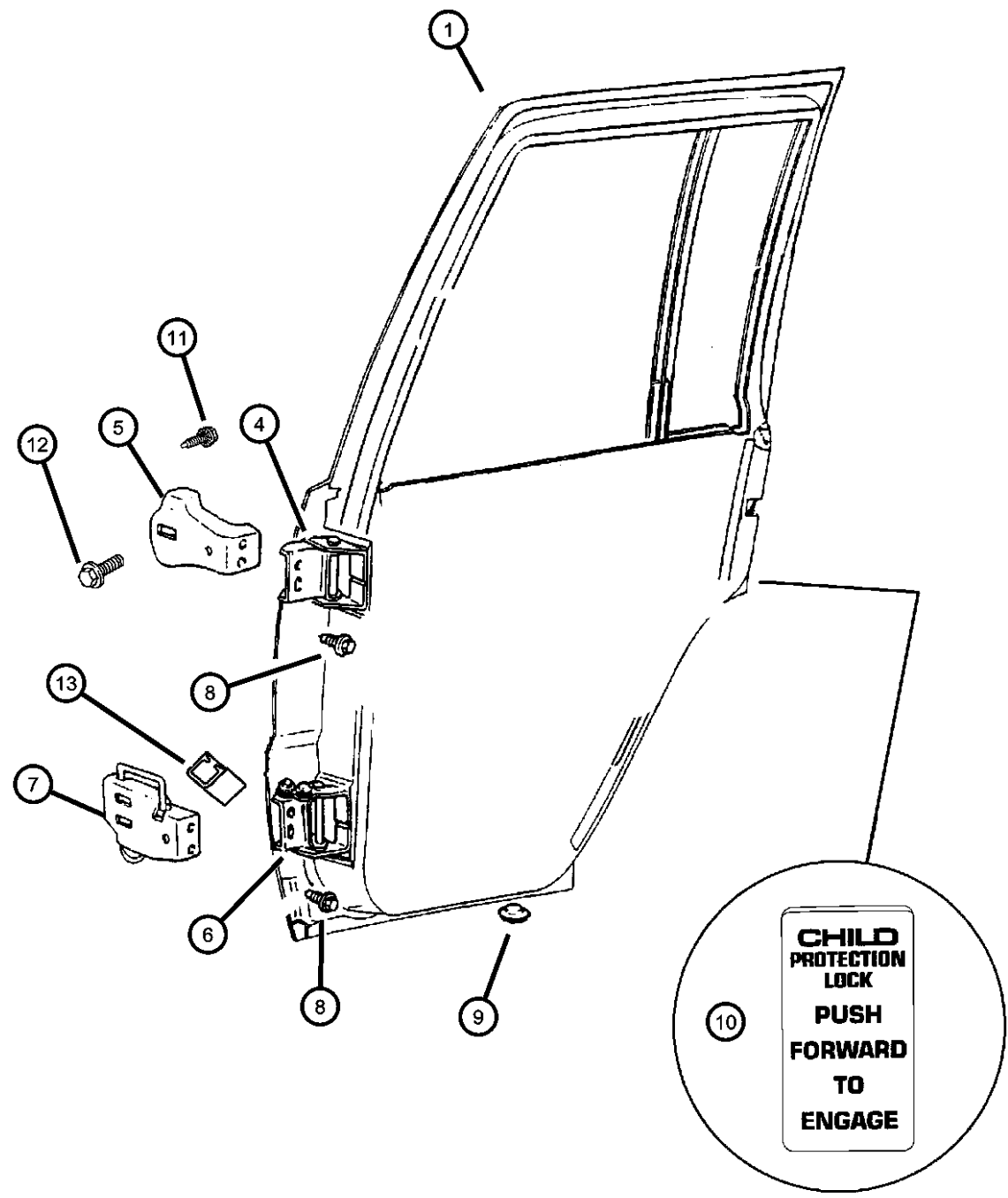
TRANSMISSION
DGK = 4-Spd. Automatic 42RE Transmission
DGW = 4-Spd. Automatic 4RE Transmission
DG0 = Transmissions - All Automatic

AR = use ase required - = Non illustrated part

1997 ZJ

Door, Rear Shell And Hinges
Figure DZJ-210

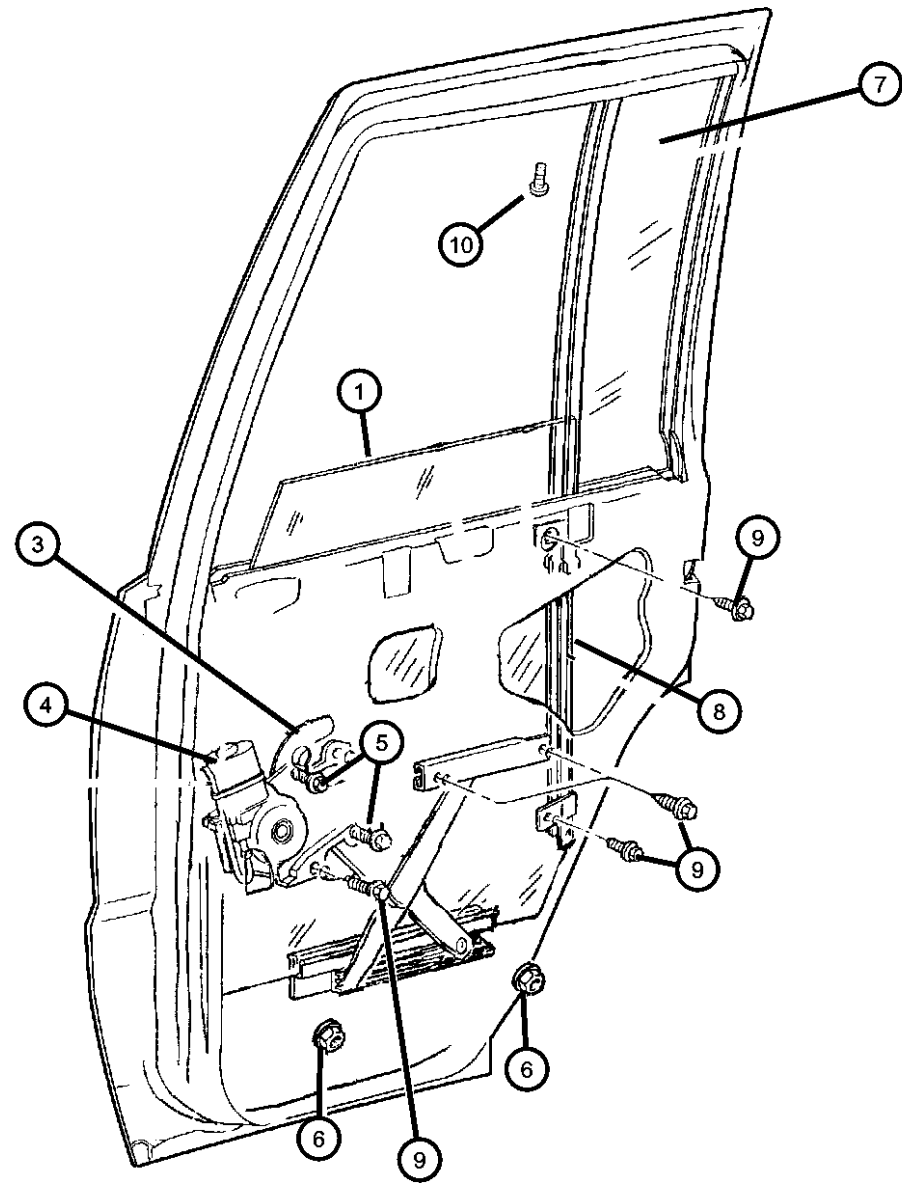
| ITEM | PART NUMBER | QTY | LINE | SERIES | BODY | ENGINE | TRANS | TRIM | DESCRIPTION |
|------|-------------|-----|------|--------|------|--------|-------|------|--|
| 1 | 04856148 | 1 | | | | | | | DOOR, Rear Right |
| | 04856149 | 1 | | | | | | | Left |
| -2 | 55031636 | 1 | | | | | | | DOOR, Rear Repair, Right |
| | 55031637 | 1 | | | | | | | Repair, Left |
| -3 | 55296000 | 1 | | | | | | | WATERDAM, Front Door Right |
| | 55296001 | 1 | | | | | | | Left |
| 4 | 55076202 | 2 | | | | | | | HINGE, Door HalfUpper |
| 5 | 55076179 | 2 | | | | | | | HINGE, Body HalfUpper |
| 6 | 55076204AB | 1 | | | | | | | HINGE, Door Half Lower Right |
| | 55076205AB | 1 | | | | | | | Lower Left |
| 7 | 55295896AB | 1 | | | | | | | HINGE, Rear Door Body Half Lower Right |
| | 55295897AB | 1 | | | | | | | Lower Left |
| 8 | 06502686 | 8 | | | | | | | SCREW, Hex Head, M8x1.25x25, Hinge |
| 9 | 02860332 | 2 | | | | | | | PLUG, Anti-Rattle |
| 10 | 04615722 | 1 | | | | | | | LABEL, Child Protection Lock, English, Child Guard |
| 11 | 06502282 | 4 | | | | | | | SCREW, Hex Head, M8x1.25x30 |
| 12 | 06503538 | 2 | | | | | | | SCREW AND WASHER, Hex Head, M8x1.25x30 |
| 13 | 55295890 | 1 | | | | | | | CLIP, Torque Rod Damper |



| | | | | |
|----------------------------|----------------------------------|-------------------------|--|--|
| GRAND CHEROKEE (ZJ) | | | | |
| SERIES | LINE | BODY | ENGINE | TRANSMISSION |
| L = LOWLINE | T = JEEP - 2WD J = JEEP - 4WD | 74 = SPORT UTILITY 4-DR | ELF = 5.2L V8 MPI Engine EML = 5.9L V8 MPI Engine ERH = 4.0L Power Tech I-6 Engine | DGK = 4-Spd. Automatic 42RE Transmission DGW = 4-Spd. Automatic 4RE Transmission DG0 = Transmissions - All Automatic |

AR = use ase required - = Non illustrated part

Door, Rear Glass And Regulators
Figure DZJ-220



| ITEM | PART NUMBER | QTY | LINE | SERIES | BODY | ENGINE | TRANS | TRIM | DESCRIPTION |
|------|-------------|-----|------|--------|------|--------|-------|------|--|
| 1 | | | | | | | | | GLASS, Rear Door Tinted, Right |
| | 55076284 | 1 | | | | | | | Tinted, Right |
| | 55076285 | 1 | | | | | | | Tinted, Left |
| | 55076286 | 1 | | | | | | | Sunscreen, Right |
| | 55076287 | 1 | | | | | | | Sunscreen, Left |
| -2 | 04615729 | 1 | | | | | | | LABEL, Child Protection Lock, English, Door Glass, Child Care |
| 3 | | | | | | | | | REGULATOR, Rear Door Window |
| | 04798380AB | 1 | | | | | | | Right |
| | 04798381AB | 1 | | | | | | | Left |
| 4 | | | | | | | | | MOTOR, Window Regulator |
| | 55154620 | 1 | | | | | | | Right |
| | 55154621 | 1 | | | | | | | Left |
| 5 | 55154621 | 1 | | | | | | | SCREW, Regulator, (NOT SERVICED) |
| 6 | 06502691 | 4 | | | | | | | NUT, Hex Flange Lock, M6x1, Glass to Regulator |
| 7 | | | | | | | | | GLASS, Rear Door, Fixed |
| | 55134968 | 1 | | | | | | | Tinted, Right |
| | DV08151GTY | | | | | | | | Collision Replacement Glass |
| | 55134969 | 1 | | | | | | | Tinted, Left |
| | DV08152GTY | | | | | | | | Collision Replacement Glass |
| | 55255588 | 1 | | | | | | | Sunscreen, Right |
| | DV08805YPY | | | | | | | | Collision Replacement Glass |
| | 55255589 | 1 | | | | | | | Sunscreen, Left |
| | DV08806YPY | | | | | | | | Collision Replacement Glass |
| 8 | | | | | | | | | CHANNEL, Rear Door Glass Lower |
| | 55031854 | 1 | | | | | | | Lower Glass Run, Right |
| | 55031855 | 1 | | | | | | | Lower Glass Run, Left |
| 9 | 55031855 | 1 | | | | | | | SCREW, (NOT SERVICED), |
| 10 | 00154636 | 2 | | | | | | | SCREW, Round Head Tapping, .164-18x.375, Channel Upper |

GRAND CHEROKEE (ZJ)

SERIES LINE
L = LOWLINE T = JEEP - 2WD
 J = JEEP - 4WD

BODY
74 = SPORT UTILITY 4-DR

ENGINE
ELF = 5.2L V8 MPI Engine
EML = 5.9L V8 MPI Engine
ERH = 4.0L Power Tech I-6
Engine

TRANSMISSION
DGK = 4-Spd. Automatic 42RE
Transmission
DGW = 4-Spd. Automatic 4RE
Transmission
DG0 = Transmissions - All Automatic

AR = use ase required - = Non illustrated part

1997 ZJ

Doors, Rear Lock And Controls
Figure DZJ-230

| ITEM | PART NUMBER | QTY | LINE | SERIES | BODY | ENGINE | TRANS | TRIM | DESCRIPTION |
|------|-------------|-----|------|--------|------|--------|-------|------|---|
| 1 | | | | | | | | | LATCH PKG, Rear Door |
| | 04798916AB | 1 | | | | | | | Right |
| | 04798917AB | 1 | | | | | | | Left |
| 2 | 06033876 | 6 | | | | | | | SCREW, Tapping, M6.3x1.8x38.1, Latch |
| 3 | | | | | | | | | HANDLE, Interior Door |
| | 55295964 | 1 | | | | | | | Laredo, Right |
| | 55295965 | 1 | | | | | | | Laredo, Left |
| | 55295966 | 1 | | | | | | | Limited, Right |
| | 55295967 | 1 | | | | | | | Limited, Left |
| 4 | 55295967 | 1 | | | | | | | SCREW, (NOT SERVICED), |
| 5 | 55074830 | 1 | | | | | | | ROD, Inside Lock to Latch, Lock Lever to Latch, Right |
| 6 | | | | | | | | | ROD, Inside Handle to Latch |
| | 55074832 | 1 | | | | | | | Right |
| | 55074833 | 1 | | | | | | | Left |
| 7 | 03882620 | 2 | | | | | | | CLIP, Door Latch Anti-Rattle, Anti-Rattle |
| 8 | | | | | | | | | HANDLE, Exterior Door |
| | 55075654 | 1 | | | | | | | Right |
| | 55075655 | 1 | | | | | | | Left |
| 9 | 06503226 | 4 | | | | | | | NUT, Hex Flange, M5x.8, Exterior Handle |
| 10 | | | | | | | | | LINK, Exterior Door Handle |
| | 55030098 | 1 | | | | | | | Right |
| | 55030099 | 1 | | | | | | | Left |
| 11 | 04520288 | 2 | | | | | | | STRIKER, Door Latch, Latch |
| 12 | | | | | | | | | SCREW, Oval Head, SCREW |
| | 06504573 | 4 | J | | | | | | 74 |
| | | 4 | T | | | | | | 74 |
| 13 | 04520289 | AR | | | | | | | SPACER, Door Latch Striker, Striker |
| 14 | 55256000 | 2 | | | | | | | PLATE, Front Door Striker, Striker Tapping |

GRAND CHEROKEE (ZJ)

SERIES LINE
L = LOWLINE T = JEEP - 2WD
J = JEEP - 4WD

BODY
74 = SPORT UTILITY 4-DR

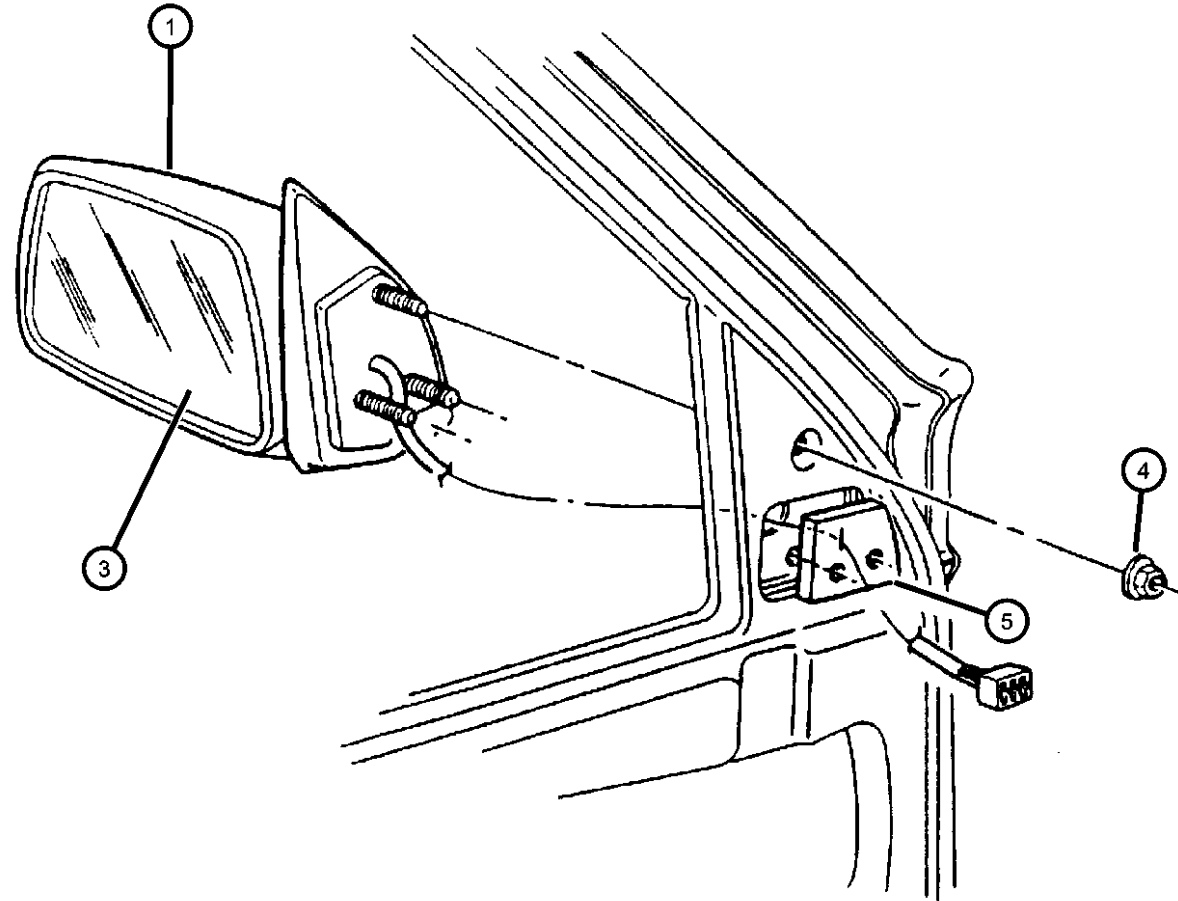
ENGINE
ELF = 5.2L V8 MPI Engine
EML = 5.9L V8 MPI Engine
ERH = 4.0L Power Tech I-6 Engine

TRANSMISSION
DGK = 4-Spd. Automatic 42RE Transmission
DGW = 4-Spd. Automatic 4RE Transmission
DG0 = Transmissions - All Automatic

AR = use ase required - = Non illustrated part

1997 ZJ

Mirrors, Exterior
Figure DZJ-510



| ITEM | PART NUMBER | QTY | LINE | SERIES | BODY | ENGINE | TRANS | TRIM | DESCRIPTION |
|------|-------------|-----|------|--------|------|--------|-------|------|--|
| 1 | | | | | | | | | MIRROR, Outside Rearview |
| | 5DV04SJ7 | 1 | | | | | | | (GS3), Char Gold, Right |
| | 5DV04SJM | 1 | | | | | | | (GS3), Moss green, Right |
| | 5DV04SR4 | 1 | | | | | | | (GS3), Red, Right |
| | 5DV04SW1 | 1 | | | | | | | (GS3), White, Right |
| | 5DV04TS4 | 1 | | | | | | | (GS3), Warm Silver, Right |
| | 5DV04VAW | 1 | | | | | | | (GS3), Deep Slate, Right |
| | 5DV04SG8 | 1 | | | | | | | (GS3), Forest Green, Right |
| | 55154803 | 1 | | | | | | | (GSM), Left |
| | 5DV04SEG | 1 | | | | | | | (GS3), Rosewood, Right |
| | 5DV04SFA | 1 | | | | | | | (GS3), Driftwood, Right |
| | 5DV04SX8 | 1 | | | | | | | (GS3), Black, Right |
| | 5DV05SG8 | 1 | | | | | | | (GR3), Forest Green, Left |
| | 5DV05SJ7 | 1 | | | | | | | (GR3), Char Gold, Left |
| | 5DV05SR4 | 1 | | | | | | | (GR3), Red, Left |
| | 5DV05SX8 | 1 | | | | | | | (GR3), Black, Left |
| | 5DV05VAW | 1 | | | | | | | (GR3), Deep Slate, Left |
| | 55154802 | 1 | | | | | | | (GSM), Right |
| | | 1 | | | | | | | (GS3), Deep Amethyst, Right |
| | 5DV05SEG | 1 | | | | | | | (GR3), Rosewood, Right |
| | 5DV05SFA | 1 | | | | | | | (GR3), Driftwood, Left |
| | 5DV05SJM | 1 | | | | | | | (GR3), Moss green, Left |
| | 5DV05SW1 | 1 | | | | | | | (GR3), White, Left |
| | 5DV05TCN | 1 | | | | | | | (GR3), Deep Amethyst, Left |
| | 5DV05TS4 | 1 | | | | | | | (GR3), Warm Silver, Left |
| -2 | | | | | | | | | MIRROR, Outside Rearview Electric Foldaway |
| | 55154800 | 1 | | | | | | | [GSN], Right |
| | 55154801 | 1 | | | | | | | [GRN], Left |
| 3 | | | | | | | | | GLASS, Mirror Replacement |
| | 04856533 | 1 | | | | | | | Power Fold Away, Left |
| | 04856532 | 1 | | | | | | | Power Fold Away, Right |
| 4 | J4200408 | 6 | | | | | | | NUT AND WASHER, Hex Nut-Coned Washer, M5 x 0.80 |
| 5 | | | | | | | | | SEAL, Mirror |

GRAND CHEROKEE (ZJ)

SERIES LINE
L = LOWLINE T = JEEP - 2WD
J = JEEP - 4WD

BODY
74 = SPORT UTILITY 4-DR

ENGINE
ELF = 5.2L V8 MPI Engine
EML = 5.9L V8 MPI Engine
ERH = 4.0L Power Tech I-6
Engine

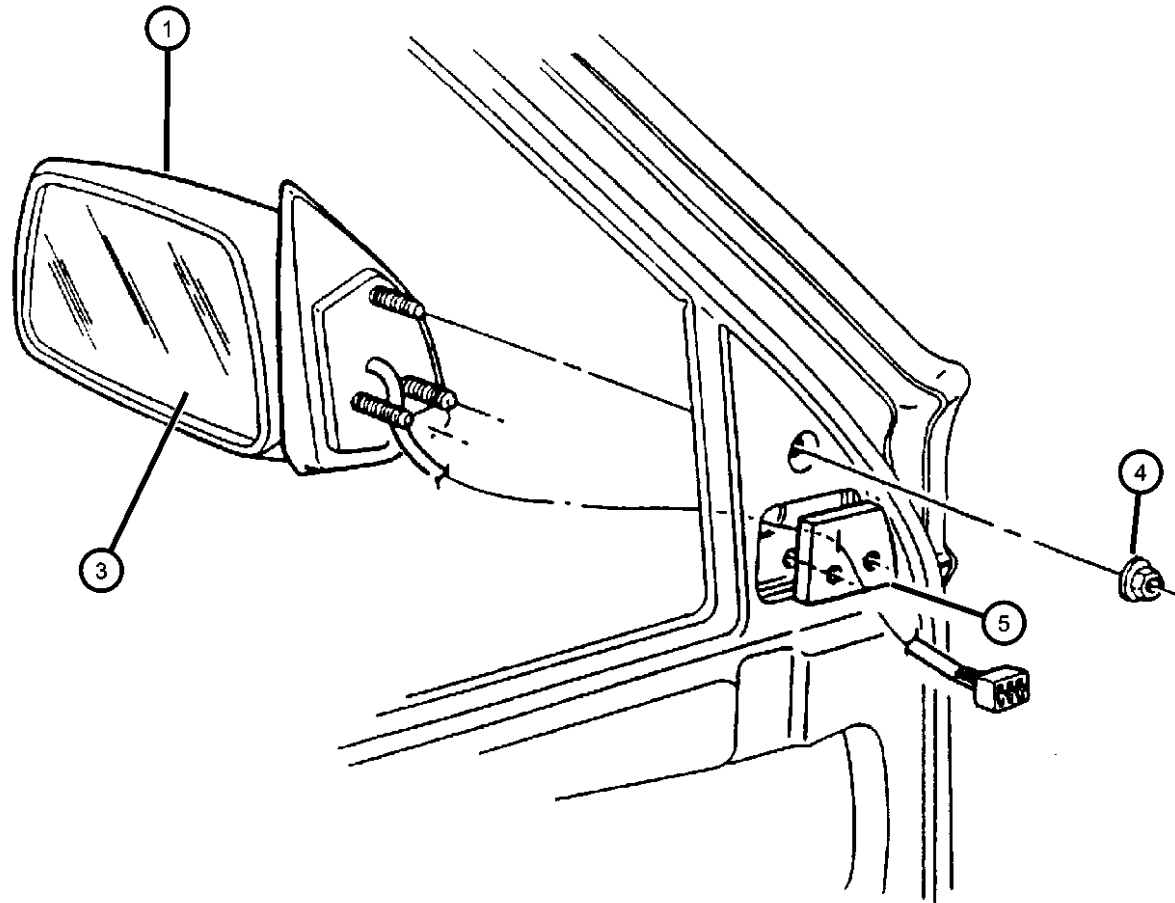
TRANSMISSION
DGK = 4-Spd. Automatic 42RE
Transmission
DGW = 4-Spd. Automatic 4RE
Transmission
DG0 = Transmissions - All Automatic

AR = use ase required - = Non illustrated part

1997 ZJ

Mirrors, Exterior
Figure DZJ-510

| ITEM | PART NUMBER | QTY | LINE | SERIES | BODY | ENGINE | TRANS | TRIM | DESCRIPTION |
|------|-------------|-----|------|--------|------|--------|-------|------|-------------|
| | 55134980 | 1 | | | | | | | Right |
| | 55134981 | 1 | | | | | | | Left |



GRAND CHEROKEE (ZJ)

SERIES LINE
L = LOWLINE T = JEEP - 2WD
 J = JEEP - 4WD

BODY
74 = SPORT UTILITY 4-DR

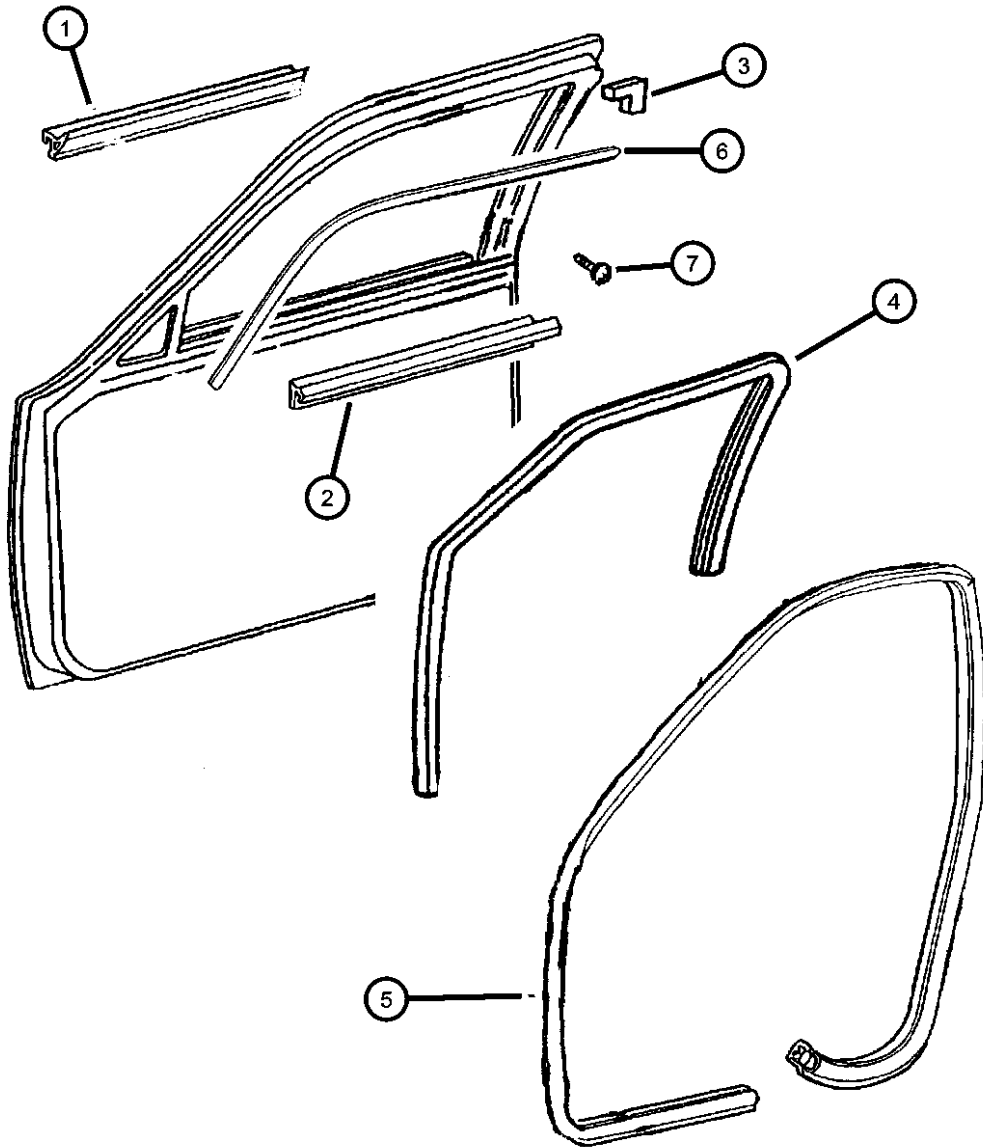
ENGINE
ELF = 5.2L V8 MPI Engine
EML = 5.9L V8 MPI Engine
ERH = 4.0L Power Tech I-6 Engine

TRANSMISSION
DGK = 4-Spd. Automatic 42RE Transmission
DGW = 4-Spd. Automatic 4RE Transmission
DG0 = Transmissions - All Automatic

AR = use ase required - = Non illustrated part

1997 ZJ

**Door, Front Weatherstrips And Seals
Figure DZJ-610**



| ITEM | PART NUMBER | QTY | LINE | SERIES | BODY | ENGINE | TRANS | TRIM | DESCRIPTION |
|------|-------------|-----|------|--------|------|--------|-------|------|--|
| 1 | 55135168 | 1 | | | | | | | WEATHERSTRIP, Front Door Belt Outer, Right |
| | 55135169 | 1 | | | | | | | Outer, Left |
| 2 | 55134862 | 1 | | | | | | | WEATHERSTRIP, Front Door Belt Inner, Right |
| | 55134863 | 1 | | | | | | | Inner, Left |
| 3 | 55134863 | 1 | | | | | | | FOAM, Air Block, (NOT SERVICED), |
| 4 | 55295700AB | 1 | | | | | | | SEAL, Glass Run Right |
| | 55295701AB | 1 | | | | | | | Left |
| 5 | 55134722 | 1 | | | | | | | SEAL, Front Door Right |
| | 55134723 | 1 | | | | | | | Left |
| 6 | 55134570 | 1 | | | | | | | SEAL, Body Side Upper, Right |
| | 55134571 | 1 | | | | | | | , Left |
| 7 | 06505023AA | 2 | | | | | | | SCREW AND CONED WASHER, Hex Head, M6x1.00x16.00 |

GRAND CHEROKEE (ZJ)

SERIES LINE
L = LOWLINE T = JEEP - 2WD
 J = JEEP - 4WD

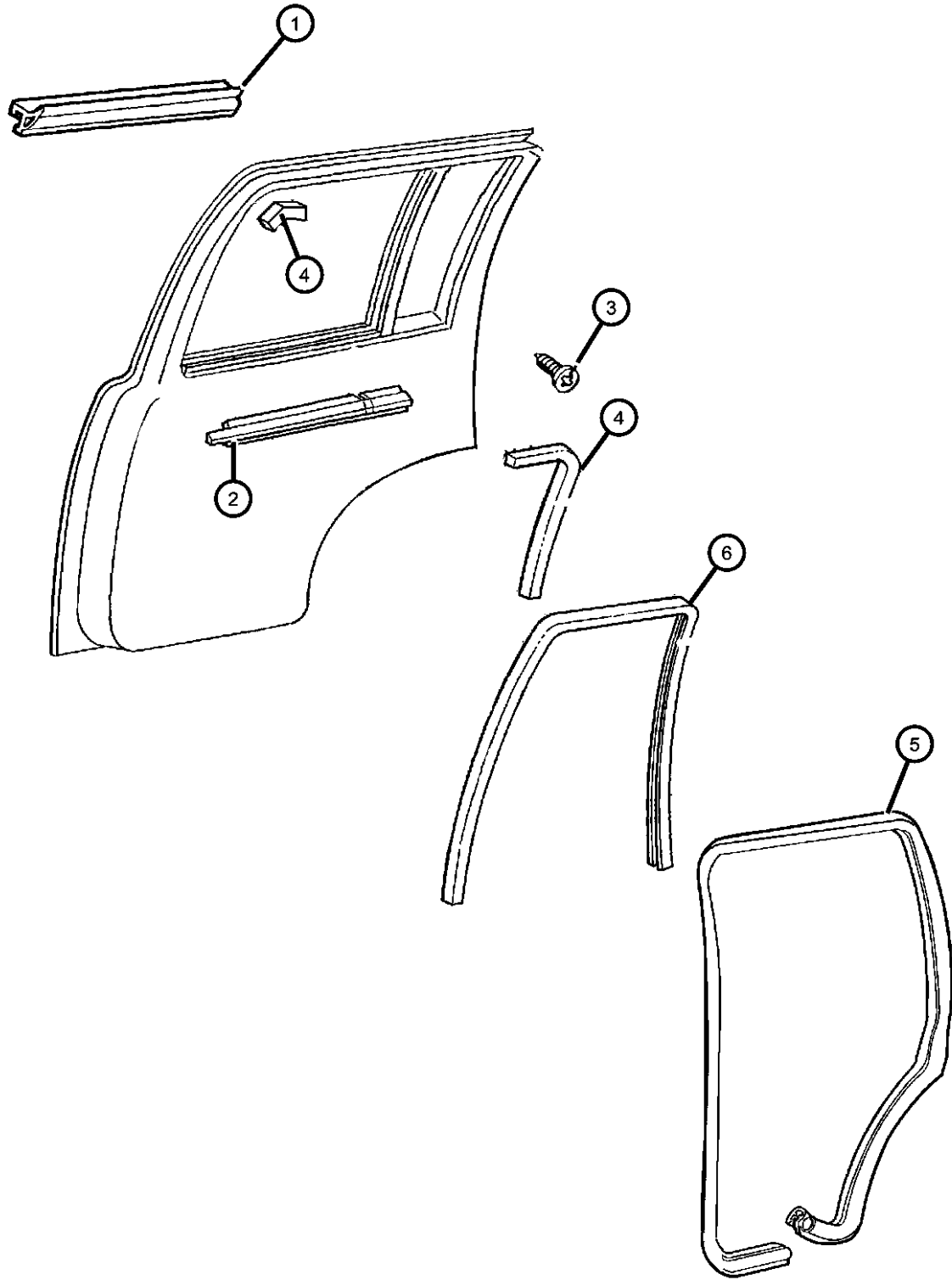
BODY
74 = SPORT UTILITY 4-DR

ENGINE
ELF = 5.2L V8 MPI Engine
EML = 5.9L V8 MPI Engine
ERH = 4.0L Power Tech I-6
Engine

TRANSMISSION
DGK = 4-Spd. Automatic 42RE
Transmission
DGW = 4-Spd. Automatic 4RE
Transmission
DG0 = Transmissions - All Automatic

AR = use ase required - = Non illustrated part

**Door, Rear Weatherstrips And Seals
Figure DZJ-620**



| ITEM | PART NUMBER | QTY | LINE | SERIES | BODY | ENGINE | TRANS | TRIM | DESCRIPTION |
|------|-------------|-----|------|--------|------|--------|-------|------|--|
| 1 | 55135170 | 1 | | | | | | | WEATHERSTRIP, Rear Door Belt Outer, Right |
| | 55135171 | 1 | | | | | | | Outer, Left |
| 2 | 55134964 | 1 | | | | | | | WEATHERSTRIP, Belt Inner, Right |
| | 55134965 | 1 | | | | | | | Inner, Left |
| 3 | 06505023AA | 2 | | | | | | | SCREW AND CONED WASHER, Hex Head, M6x1.00x16.00 |
| 4 | 06505023AA | 2 | | | | | | | FOAM, Air Block, (NOT SERVICED) |
| 5 | 55134724 | 1 | | | | | | | SEAL, Rear Door Right |
| | 55134725 | 1 | | | | | | | Left |
| 6 | 55255458AB | 1 | | | | | | | SEAL, Glass Run Right |
| | 55255459AB | 1 | | | | | | | Left |

GRAND CHEROKEE (ZJ)

SERIES LINE
L = LOWLINE T = JEEP - 2WD
 J = JEEP - 4WD

BODY
74 = SPORT UTILITY 4-DR

ENGINE
ELF = 5.2L V8 MPI Engine
EML = 5.9L V8 MPI Engine
ERH = 4.0L Power Tech I-6
Engine

TRANSMISSION
DGK = 4-Spd. Automatic 42RE
Transmission
DGW = 4-Spd. Automatic 4RE
Transmission
DG0 = Transmissions - All Automatic

AR = use ase required - = Non illustrated part

Group - EZJ

Exterior Ornamentation

Group - EZJ Exterior Ornamentation

Illustration Title

Group-Fig. No.

Nameplates

Nameplates Fig. EZJ - 120

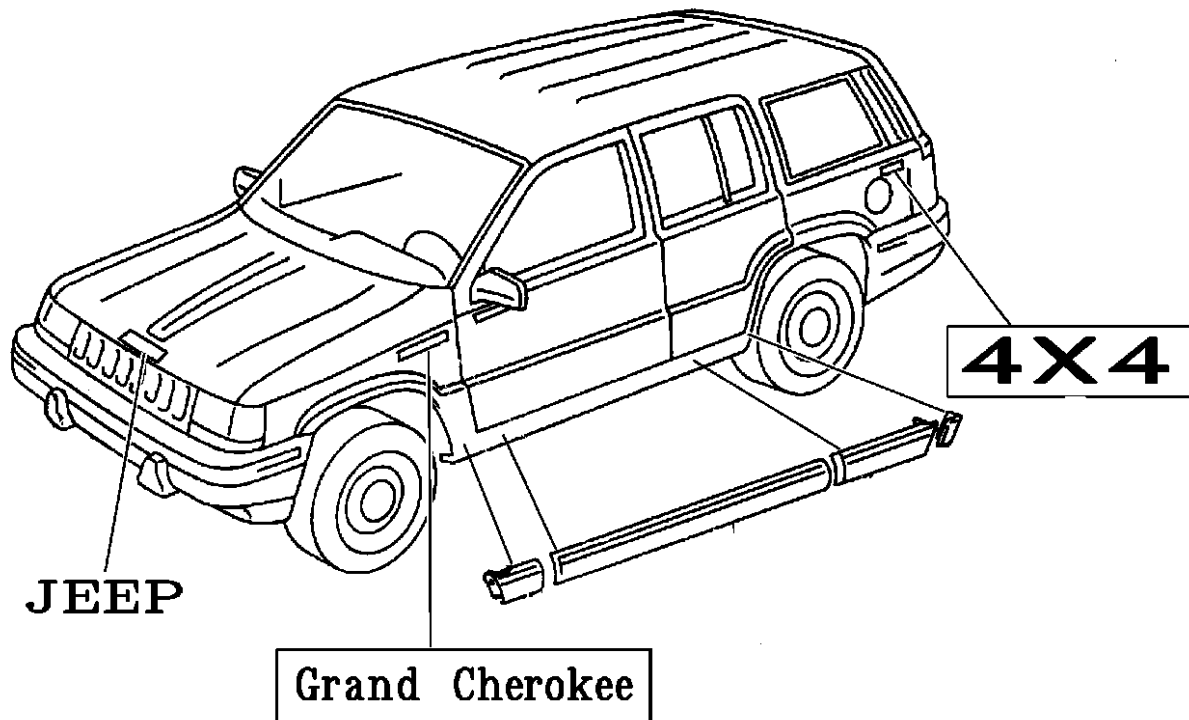
Moldings and Ornamentation

Mouldings, Upper Fig. EZJ - 250

Cladding And Sill Mouldings Fig. EZJ - 270

Decals and Tapestripes

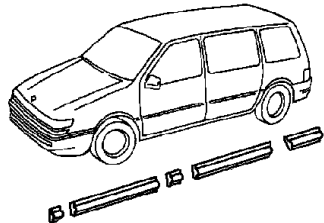
Decals Fig. EZJ - 360



EZJ-100
Nameplates



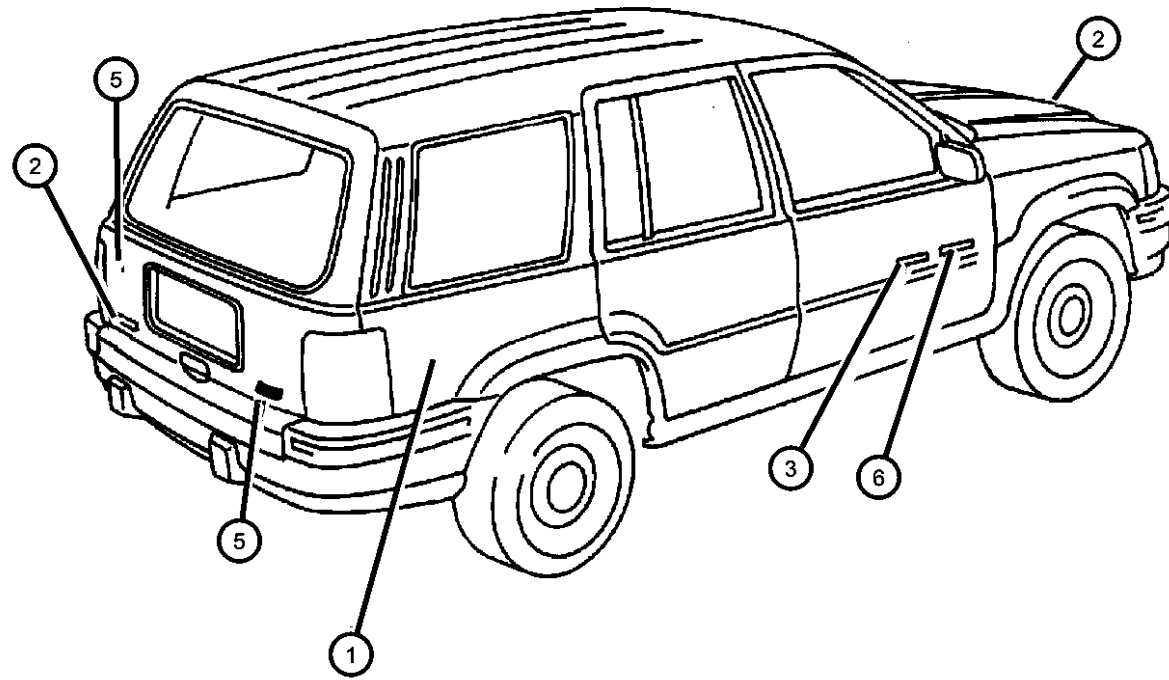
EZJ-200
Moldings and Ornamentation



EZJ-300
Decals and Tapestripes



Nameplates
Figure EZJ-120



| ITEM | PART NUMBER | QTY | LINE | SERIES | BODY | ENGINE | TRANS | TRIM | DESCRIPTION |
|------|-------------|-----|------|--------|------|--------|-------|------|---|
| 1 | 55155623 | 2 | | | | | | | NAMEPLATE, 4X4 |
| 2 | | | | | | | | | NAMEPLATE, Jeep |
| | 55155622 | 2 | | | | | | | Chrome |
| | 5EM87SY1 | 2 | | | | | | | Sand |
| | 5EM87SA1 | 2 | | | | | | | Silver |
| 3 | 55155621 | 2 | | | | | | | NAMEPLATE, Grand Cherokee |
| -4 | 5EM93SJYAB | 2 | | | | | | | NAMEPLATE, Orvis |
| 5 | 55155699AA | 1 | | | | | | | NAMEPLATE, 5.9L |
| 6 | 55155427 | 1 | | | | | | | NAMEPLATE, Grand Cherokee, 5.9 Limited |

GRAND CHEROKEE (ZJ)

SERIES LINE
L = LOWLINE T = JEEP - 2WD
 J = JEEP - 4WD

BODY
74 = SPORT UTILITY 4-DR

ENGINE
ELF = 5.2L V8 MPI Engine
EML = 5.9L V8 MPI Engine
ERH = 4.0L Power Tech I-6
Engine

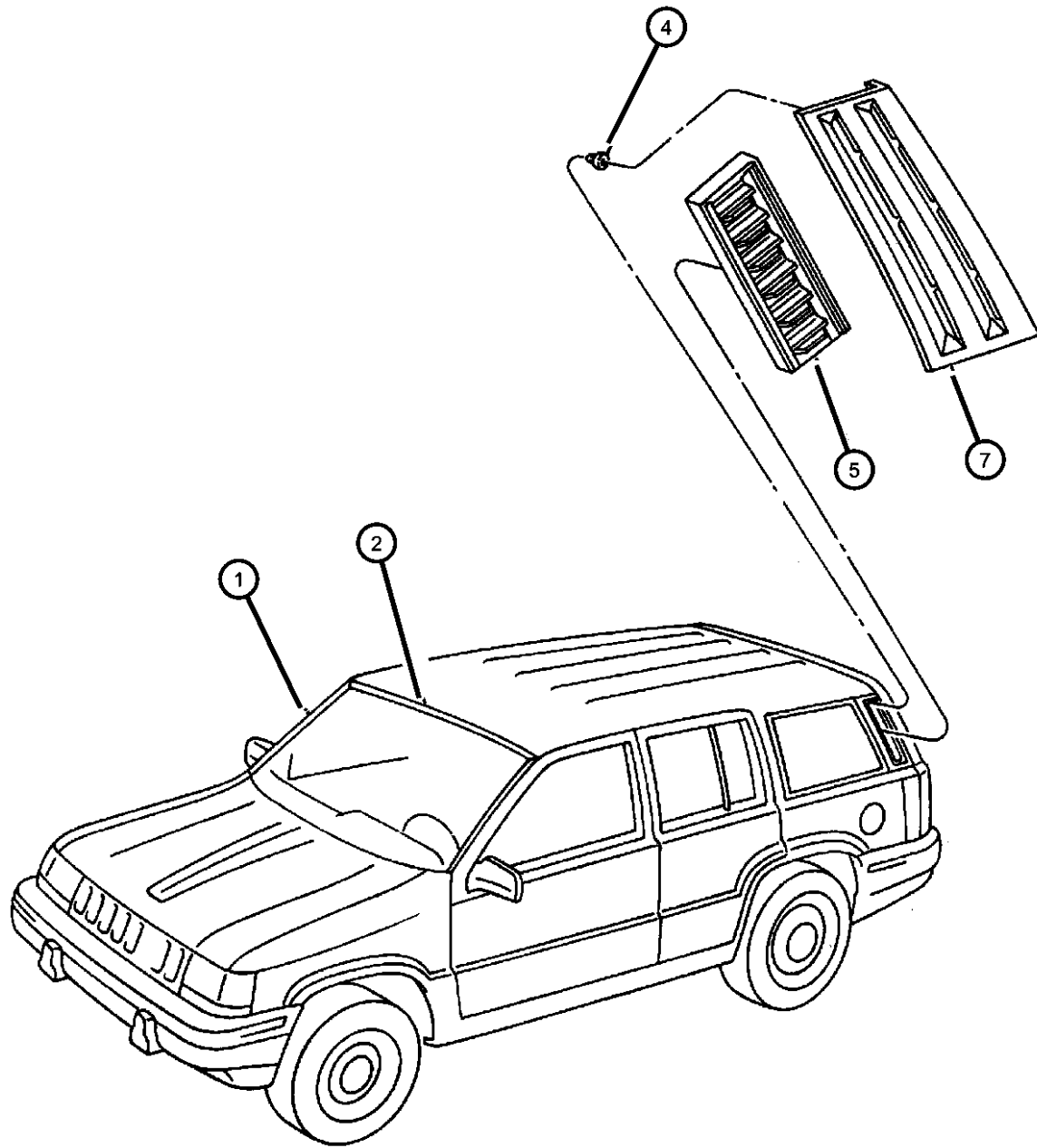
TRANSMISSION
DGK = 4-Spd. Automatic 42RE
Transmission
DGW = 4-Spd. Automatic 4RE
Transmission
DG0 = Transmissions - All Automatic

AR = use ase required - = Non illustrated part

1997 ZJ

Mouldings, Upper
Figure EZJ-250

| ITEM | PART NUMBER | QTY | LINE | SERIES | BODY | ENGINE | TRANS | TRIM | DESCRIPTION |
|------|-------------|-----|------|--------|------|--------|-------|------|--|
| 1 | | | | | | | | | MOLDING, Windshield Reveal |
| | 55030364 | 1 | | | | | | | Side, Right |
| | 55030365 | 1 | | | | | | | Side, Left |
| 2 | 55134847 | 1 | | | | | | | MOLDING, Windshield, Upper |
| -3 | 06033605 | 8 | | | | | | | SCREW, Tapping, .164-18x.437, Windshield Moulding |
| 4 | 06004512 | 6 | | | | | | | CLIP, D Pillar Exhauster |
| 5 | 55036049 | 2 | | | | | | | EXHAUSTER, Quarter Panel |
| -6 | 04026152 | 2 | | | | | | | HOSE, Sunroof Drain, Pillar Drain |
| 7 | | | | | | | | | APPLIQUE, D Pillar |
| | 5FK71SEG | 1 | | | | | | | Rosewood, Left |
| | 5FK71SFA | 1 | | | | | | | Driftwood, Left |
| | 5FK71SG8 | 1 | | | | | | | Forest Green, Left |
| | 5FK71SJ7 | 1 | | | | | | | Chargold, Left |
| | 5FK71SJM | 1 | | | | | | | Moss Green, Left |
| | 5FK71SR4 | 1 | | | | | | | Red, Left |
| | 5FK71SW1 | 1 | | | | | | | White, Left |
| | 5FK71SX8 | 1 | | | | | | | Black, Left |
| | 5FK71TS4 | 1 | | | | | | | Bright Platinum, Left |
| | 5FK71VAW | 1 | | | | | | | Deep Slate, Left |
| | 5FK72SEG | 1 | | | | | | | Rosewood, Right |
| | 5FK72SFA | 1 | | | | | | | Driftwood, Right |
| | 5FK72SG8 | 1 | | | | | | | Forest Green, Right |
| | 5FK72SJ7 | 1 | | | | | | | Moss Green, Right |
| | 5FK72SJM | 1 | | | | | | | Chargold, Right |
| | 5FK72SR4 | 1 | | | | | | | Red, Right |
| | 5FK72SW1 | 1 | | | | | | | White, Right |
| | 5FK72SX8 | 1 | | | | | | | Black, Right |
| | 5FK72TS4 | 1 | | | | | | | Deep Slate, Right |
| | 5FK72VAW | 1 | | | | | | | Bright Platinum, Right |



GRAND CHEROKEE (ZJ)

SERIES LINE
L = LOWLINE T = JEEP - 2WD
 J = JEEP - 4WD

BODY
74 = SPORT UTILITY 4-DR

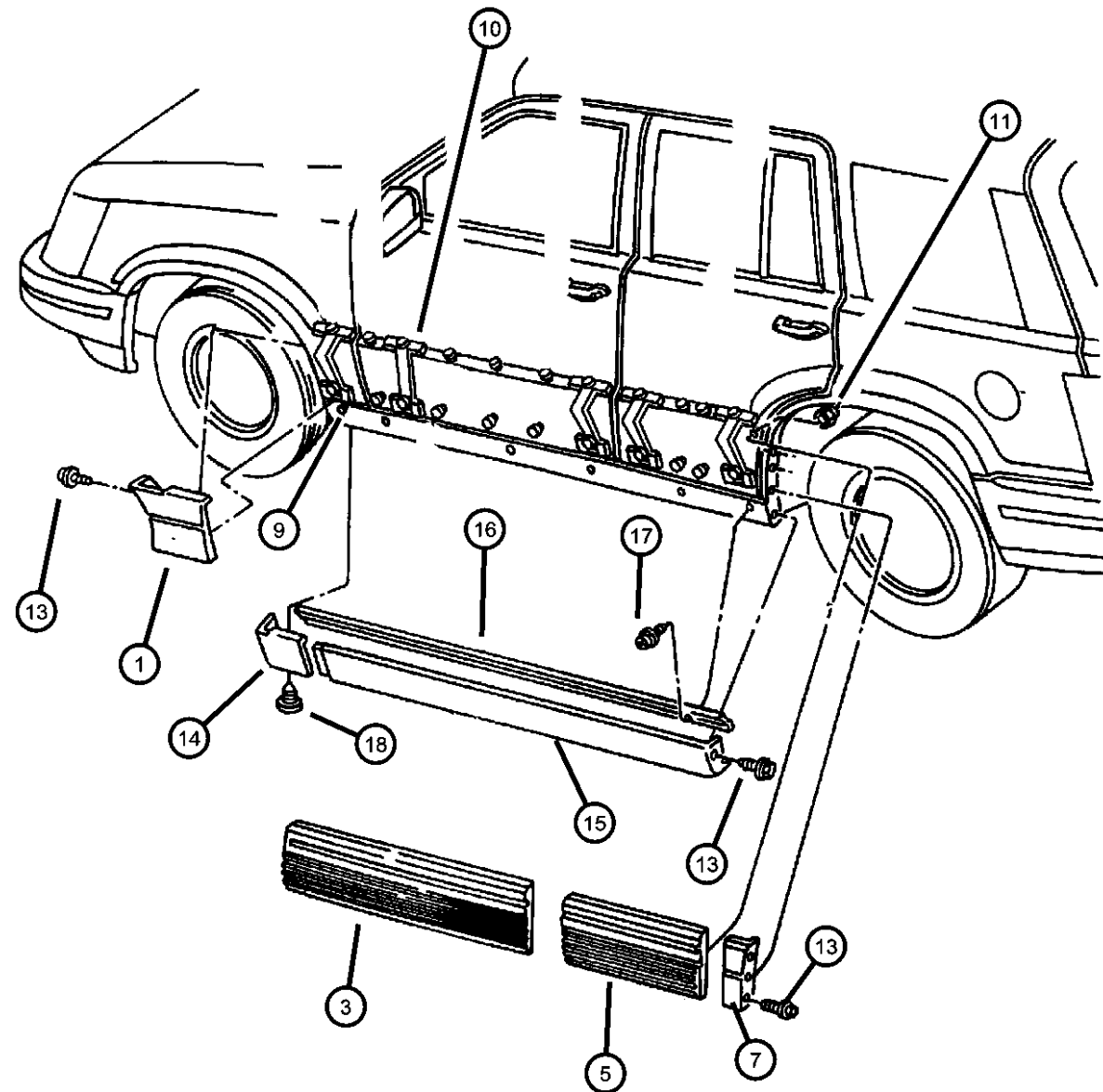
ENGINE
ELF = 5.2L V8 MPI Engine
EML = 5.9L V8 MPI Engine
ERH = 4.0L Power Tech I-6
Engine

TRANSMISSION
DGK = 4-Spd. Automatic 42RE
Transmission
DGW = 4-Spd. Automatic 4RE
Transmission
DG0 = Transmissions - All Automatic

AR = use ase required - = Non illustrated part

1997 ZJ

**Cladding And Sill Mouldings
Figure EZJ-270**



| ITEM | PART NUMBER | QTY | LINE | SERIES | BODY | ENGINE | TRANS | TRIM | DESCRIPTION |
|------|-------------|-----|------|--------|------|--------|-------|------|---|
| 1 | | | | | | | | | CLADDING, Fender |
| | 5EV80DX9 | 1 | | | | | | | TSI (AFM), Black (Paint Code Z), Right |
| | 5EV80MFD | 1 | | | | | | | TSI (AFM), Driftwood (Paint Code K), Right |
| | 5EV81DX9 | 1 | | | | | | | TSI (AFM), Black (Paint Code Z), Left |
| | 5EV81MFD | 1 | | | | | | | TSI (AFM), Driftwood (Paint Code K), Left |
| | 5DP74SW1 | 1 | | | | | | | Limited [ARP] (Service Dealer Paint), Right |
| | 5DP62SS5 | 1 | | | | | | | Laredo (ARN), Right |
| | 5DP63SS5 | 1 | | | | | | | Laredo (ARN), Left |
| | | 1 | | | | | | | |
| | 5DP75SW1 | 1 | | | | | | | Limited [ARP] (Service Dealer Paint), Left |
| | 5EV80VF7AB | 1 | | | | | | | TSI (AFM), Dark Brownstone (Paint Code C), Right |
| | 5EV81VF7AB | 1 | | | | | | | TSI (AFM), Dark Brownstone (Paint Code C), Left |
| | 5FY98MFDAA | 1 | | | | | | | Laredo, Special Appearance (ADX) (Up To 5-20-97), Right |
| | 5FY98VF7AB | 1 | | | | | | | Laredo, Special Appearance (ADX) (After 5-20-97), Right |
| | 5FY99MFDAA | 1 | | | | | | | Laredo, Special Appearance (ADX) (Up To 5-20-97), Left |
| | 5FY99VF7AB | 1 | | | | | | | Laredo, Special Appearance (ADX) (After 5-20-97), Left |
| -2 | | | | | | | | | TAPE, Cladding, Orvis |
| | 5FS98HC3 | 1 | | | | | | | Right |
| | 5FS99HC3 | 1 | | | | | | | Left |
| 3 | | | | | | | | | CLADDING, Front Door |
| | 5EV84DX9 | 1 | | | | | | | TSI (AFM), Black (Paint Code Z), Right |
| | 5EV84MFD | 1 | | | | | | | TSI (AFM), Driftwood (Paint Code K), Right |
| | 5EV85DX9 | 1 | | | | | | | TSI (AFM), Black (Paint Code Z), Left |
| | 5EV85MFD | 1 | | | | | | | TSI (AFM), Driftwood (Paint Code K), Left |
| | 5DP84SW1 | 1 | | | | | | | Limited (ARP), Right |
| | 5DP85SW1 | 1 | | | | | | | Limited (ARP), Left |
| | 5DP76SS5 | 1 | | | | | | | Laredo (ARN), Right |
| | 5DP77SS5 | 1 | | | | | | | Laredo (ARN), Left |

GRAND CHEROKEE (ZJ)

SERIES LINE
L = LOWLINE T = JEEP - 2WD
 J = JEEP - 4WD

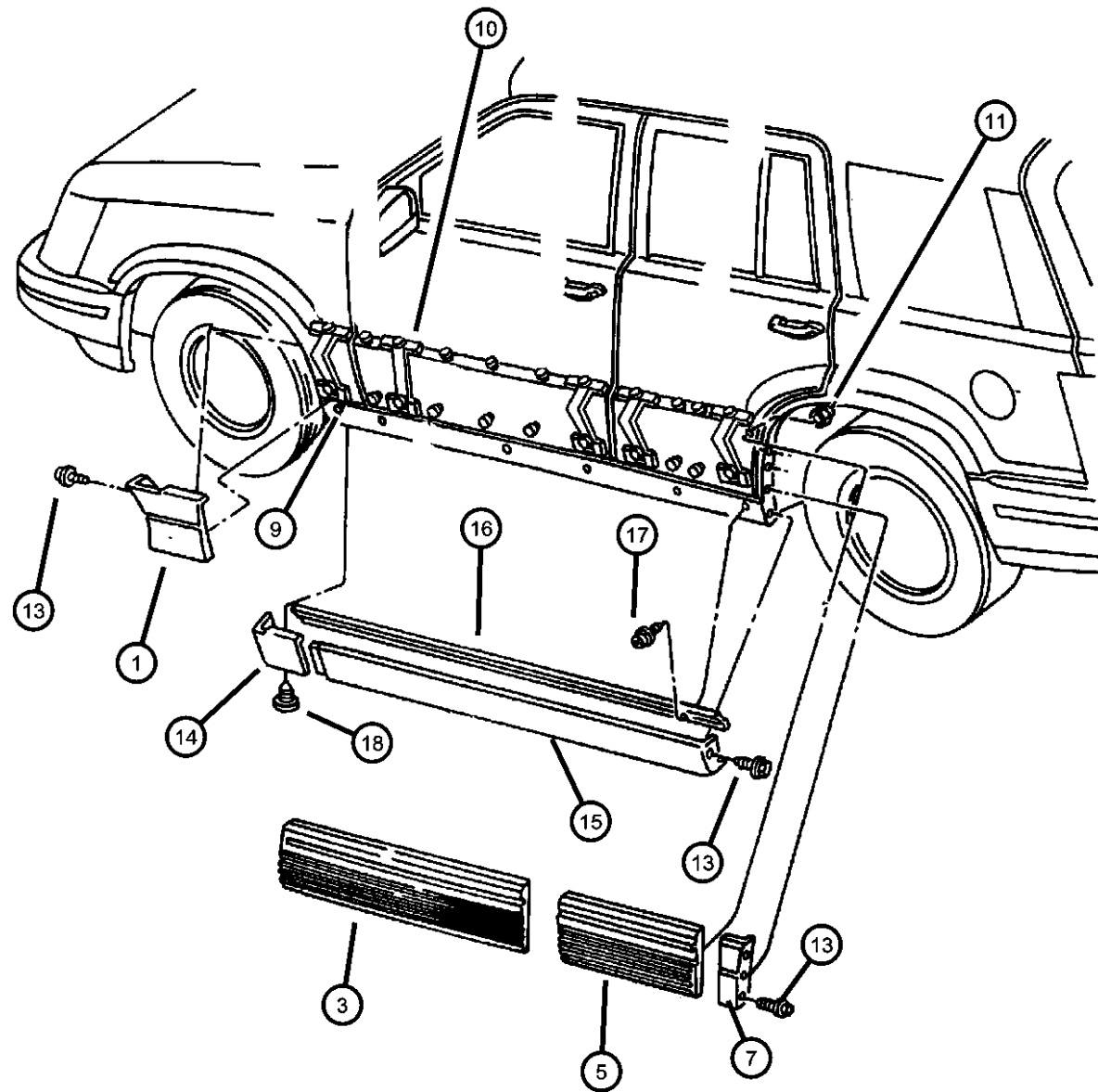
BODY
74 = SPORT UTILITY 4-DR

ENGINE
ELF = 5.2L V8 MPI Engine
EML = 5.9L V8 MPI Engine
ERH = 4.0L Power Tech I-6 Engine

TRANSMISSION
DGK = 4-Spd. Automatic 42RE Transmission
DGW = 4-Spd. Automatic 4RE Transmission
DG0 = Transmissions - All Automatic

AR = use ase required - = Non illustrated part

**Cladding And Sill Mouldings
Figure EZJ-270**



| ITEM | PART NUMBER | QTY | LINE | SERIES | BODY | ENGINE | TRANS | TRIM | DESCRIPTION |
|------|-------------|-----|------|--------|------|--------|-------|------|---|
| | 5EV84VF7AB | 1 | | | | | | | TSI (AFM), Dark Brownstone (Paint Code C), Right |
| | 5EV85VF7AB | 1 | | | | | | | TSI (AFM), Dark Brownstone (Paint Code C), Left |
| | 5FZ00MFDAA | 1 | | | | | | | Laredo, Special Appearance (ADX) (Up To 5-20-97), Right |
| | 5FZ00VF7AB | 1 | | | | | | | Laredo, Special Appearance (ADX) (After 5-20-97), Right |
| | 5FZ01MFDAA | 1 | | | | | | | Laredo, Special Appearance (ADX) (Up To 5-20-97), Left |
| | 5FZ01VF7AB | 1 | | | | | | | Laredo, Special Appearance (ADX) (After 5-20-97), Left |
| -4 | | | | | | | | | TAPE, Cladding, Orvis |
| | 5FT00HC3 | 1 | | | | | | | Right |
| | 5FT01HC3 | 1 | | | | | | | Left |
| 5 | | | | | | | | | CLADDING, Rear Door |
| | 5EV88DX9 | 1 | | | | | | | TSI (AFM), Black (Paint Code Z), Right |
| | 5EV88MFD | 1 | | | | | | | TSI (AFM), Driftwood (Paint Code K), Right |
| | 5EV89DX9 | 1 | | | | | | | TSI (AFM), Black (Paint Code Z), Left |
| | 5DP97SW1 | 1 | | | | | | | Limited [ARP] (Service Dealer Paint), Left |
| | 5DP86SS5 | 1 | | | | | | | Laredo (ARN), Right |
| | 5DP87SS5 | 1 | | | | | | | Laredo (ARN), Left |
| | 5DP96SW1 | 1 | | | | | | | Limited [ARP] (Service Dealer Paint), Right |
| | 5EV88VF7AB | 1 | | | | | | | TSI (AFM), Dark Brownstone (Paint Code C), Right |
| | 5EV89MFD | 1 | | | | | | | TSI (AFM), Driftwood (Paint Code K), Left |
| | 5EV89VF7AB | 1 | | | | | | | TSI (AFM), Dark Brownstone (Paint Code C), Left |
| | 5FY94MFDAA | 1 | | | | | | | Laredo, Special Appearance (ADX) (Up To 5-20-97), Right |
| | 5FY94VF7AB | 1 | | | | | | | Laredo, Special Appearance (ADX) (After 5-20-97), Right |
| | 5FY95MFDAA | 1 | | | | | | | Laredo, Special Appearance (ADX) (Up To 5-20-97), Left |
| | 5FY95VF7AB | 1 | | | | | | | Laredo, Special Appearance (ADX) (After 5-20-97), Left |
| -6 | | | | | | | | | TAPE, Cladding, Orvis |
| | 5FT06HC3 | 1 | | | | | | | Right |

GRAND CHEROKEE (ZJ)

SERIES LINE
 L = LOWLINE T = JEEP - 2WD
 J = JEEP - 4WD

BODY
 74 = SPORT UTILITY 4-DR

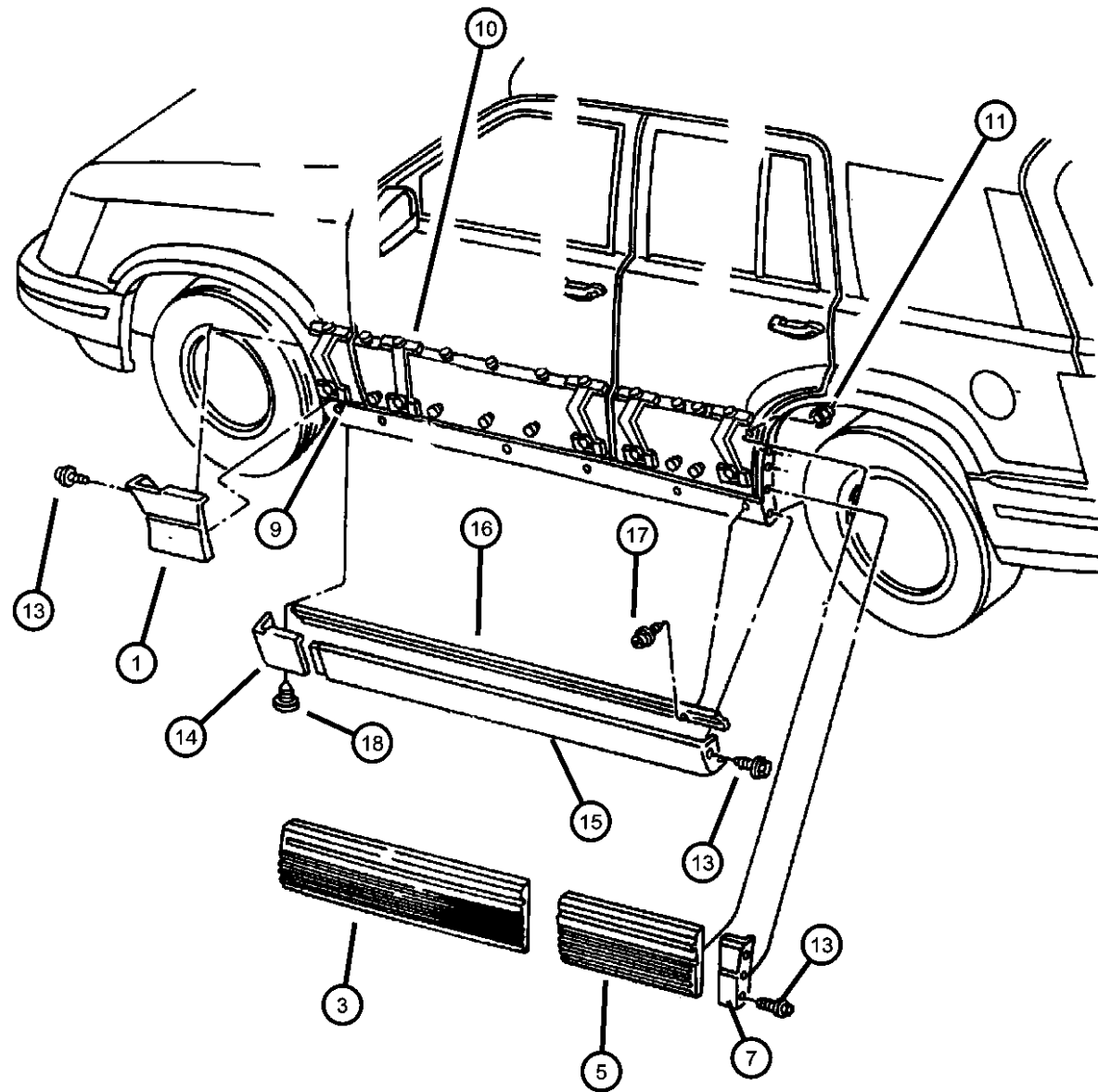
ENGINE
 ELF = 5.2L V8 MPI Engine
 EML = 5.9L V8 MPI Engine
 ERH = 4.0L Power Tech I-6 Engine

TRANSMISSION
 DGK = 4-Spd. Automatic 42RE Transmission
 DGW = 4-Spd. Automatic 4RE Transmission
 DG0 = Transmissions - All Automatic

AR = use ase required - = Non illustrated part

1997 ZJ

**Cladding And Sill Mouldings
Figure EZJ-270**



| ITEM | PART NUMBER | QTY | LINE | SERIES | BODY | ENGINE | TRANS | TRIM | DESCRIPTION |
|------|-------------|-----|------|--------|------|--------|-------|------|---|
| | 5FT07HC3 | 1 | | | | | | | Left |
| 7 | | | | | | | | | CLADDING, Quarter Panel |
| | 5EV94DX9 | 1 | | | | | | | TSI (AFM), Black (Paint Code Z), Right |
| | 5EV94MFD | 1 | | | | | | | TSI (AFM), Driftwood (Paint Code K), Right |
| | 5EV95DX9 | 1 | | | | | | | TSI (AFM), Black (Paint Code Z), Left |
| | 5EV95MFD | 1 | | | | | | | TSI (AFM), Driftwood (Paint Code K), Left |
| | 5DR22SW1 | 1 | | | | | | | Limited (ARP), Right |
| | 5DR23SW1 | 1 | | | | | | | Limited (ARP), Left |
| | 5DP98SS5 | 1 | | | | | | | Laredo (ARN), Right |
| | 5DP99SS5 | 1 | | | | | | | Laredo (ARN), Left |
| | 5EV94VF7AB | 1 | | | | | | | TSI (AFM), Dark Brownstone (Paint Code C), Right |
| | 5EV95VF7AB | 1 | | | | | | | TSI (AFM), Dark Brownstone (Paint Code C), Left |
| | 5FZ06MFDAA | 1 | | | | | | | Laredo, Special Appearance (ADX) (Up To 5-20-97), Right |
| | 5FZ06VF7AB | 1 | | | | | | | Laredo, Special Appearance (ADX) (After 5-20-97), Right |
| | 5FZ07MFDAA | 1 | | | | | | | Laredo, Special Appearance (ADX) (Up To 5-20-97), Left |
| | 5FZ07VF7AB | 1 | | | | | | | Laredo, Special Appearance (ADX) (After 5-20-97), Left |
| -8 | | | | | | | | | TAPE, Cladding, Orvis |
| | 5FT08HC3 | 1 | | | | | | | Right |
| | 5FT09HC3 | 1 | | | | | | | Left |
| 9 | | | | | | | | | RETAINER, Cladding |
| | 55294782 | 5 | | | | | | | Right |
| | 55294783 | 5 | | | | | | | Left |
| 10 | 55294777 | 12 | | | | | | | RETAINER, Cladding |
| 11 | 06502872 | 2 | | | | | | | NUT, Rear Door Moulding, M4x0.7, Rear Door Moulding |
| -12 | 06502872 | 2 | | | | | | | STUD, [Order Repair Package 4293616], (NOT SERVICED) |
| 13 | 06502872 | 2 | | | | | | | SCREW, (NOT SERVICED) |
| 14 | | | | | | | | | MOLDING, Side Sill, 5CJ47LS5 Lt. |
| | 5FF10MFD | 1 | | | | | | | [ADX] [AFM], Driftwood, Right |
| | 5FF11MFD | 1 | | | | | | | [ADX] [AFM], Driftwood, Left |

GRAND CHEROKEE (ZJ)

SERIES LINE
L = LOWLINE T = JEEP - 2WD
 J = JEEP - 4WD

BODY
74 = SPORT UTILITY 4-DR

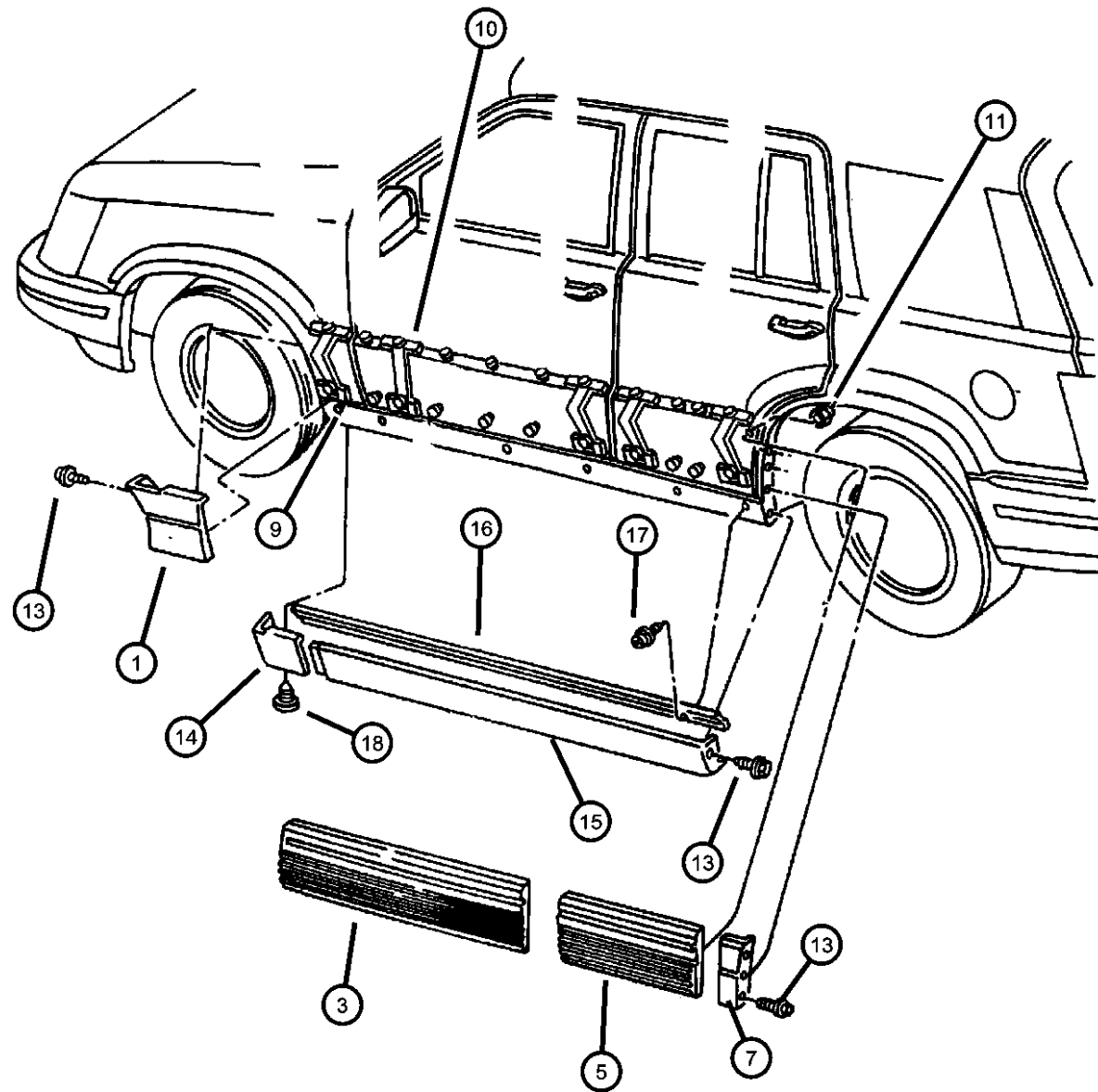
ENGINE
ELF = 5.2L V8 MPI Engine
EML = 5.9L V8 MPI Engine
ERH = 4.0L Power Tech I-6 Engine

TRANSMISSION
DGK = 4-Spd. Automatic 42RE Transmission
DGW = 4-Spd. Automatic 4RE Transmission
DG0 = Transmissions - All Automatic

AR = use ase required - = Non illustrated part

1997 ZJ

**Cladding And Sill Mouldings
Figure EZJ-270**



| ITEM | PART NUMBER | QTY | LINE | SERIES | BODY | ENGINE | TRANS | TRIM | DESCRIPTION |
|------|-------------|-----|------|--------|------|--------|-------|------|--|
| | 5CJ46LS5 | 1 | | | | | | | Laredo (ARN), Right |
| | 5CJ47LS5 | 1 | | | | | | | Laredo (ARN), Left |
| | 5FF10DX9AB | 1 | | | | | | | [ADX] [AFM], Black, Right |
| | 5FF10VF7AB | 1 | | | | | | | [ADX] [AFM], Dark Brownstone, Right |
| | 5FF11DX9AB | 1 | | | | | | | [ADX] [AFM], Black, Left |
| | 5FF11VF7AB | 1 | | | | | | | [ADX] [AFM], Dark Brownstone, Left |
| 15 | | | | | | | | | MOLDING, Side Sill |
| | 5FF12MFD | 1 | | | | | | | (ADX) (AFM), Driftwood, Right |
| | 5FF13MFD | 1 | | | | | | | (ADX) (AFM), Driftwood, Left |
| | 5DS12MS5 | 1 | | | | | | | Laredo (ARN), Right |
| | 5DS13MS5 | 1 | | | | | | | Laredo (ARN), Left |
| | 5FF12DX9AB | 1 | | | | | | | (ADX) (AFM), Black, Right |
| | 5FF12VF7AB | 1 | | | | | | | (ADX) (AFM), Dark Brownstone, Right |
| | 5FF13DX9AB | 1 | | | | | | | (ADX) (AFM), Black, Left |
| | 5FF13VF7AB | 1 | | | | | | | (ADX) (AFM), Dark Brownstone, Left |
| 16 | | | | | | | | | RAIL, Sill Molding Hanger |
| | 55294836 | 1 | | | | | | | Laredo, Right |
| | 55294837 | 1 | | | | | | | Laredo, Left |
| 17 | 55294837 | 1 | | | | | | | SCREW, (NOT SERVICED), |
| 18 | 5BB14LS5 | 10 | | | | | | | RETAINER, Push In Type M6.3 Hole, Sill Moulding Att. |

GRAND CHEROKEE (ZJ)

SERIES LINE
L = LOWLINE T = JEEP - 2WD
 J = JEEP - 4WD

BODY
74 = SPORT UTILITY 4-DR

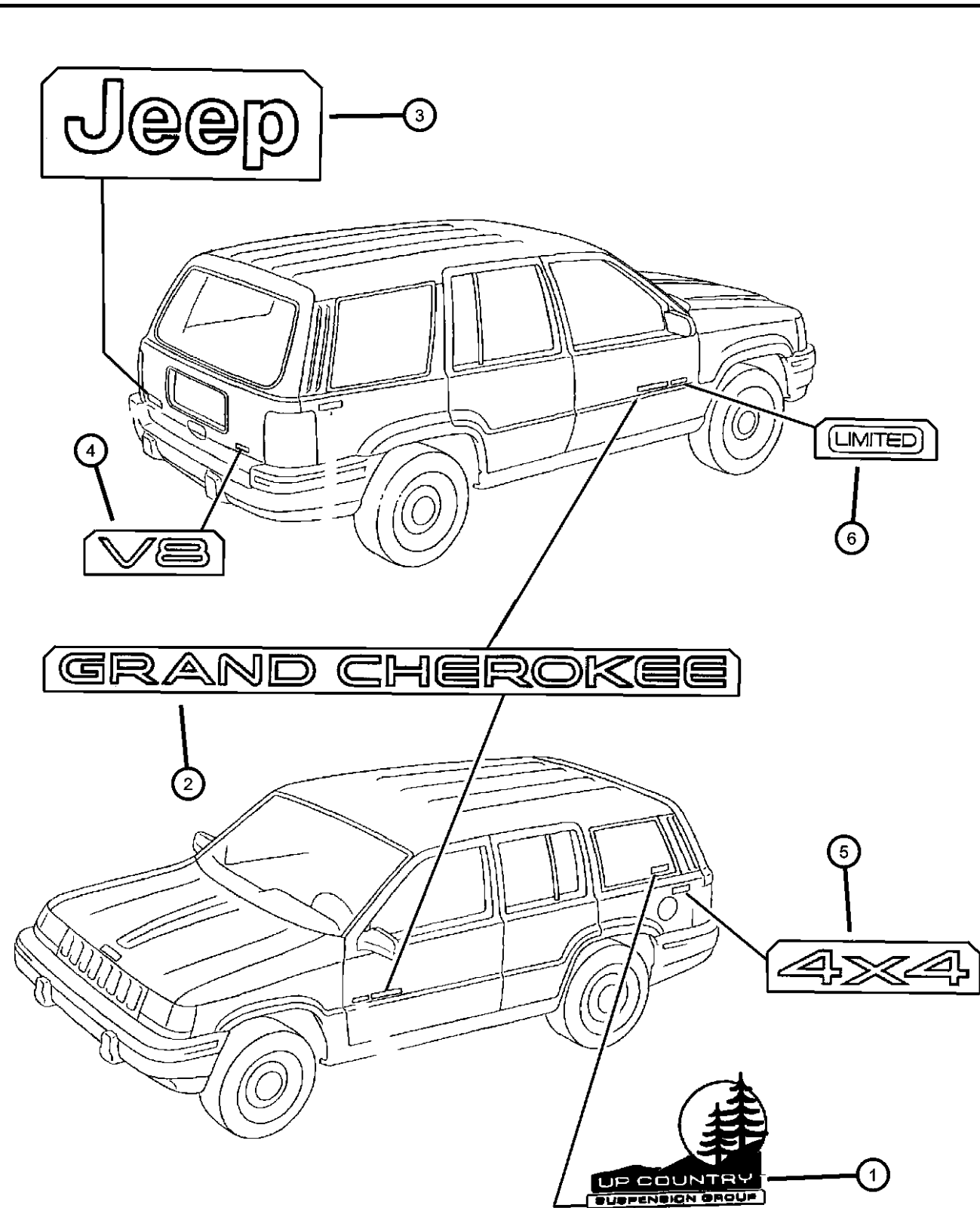
ENGINE
ELF = 5.2L V8 MPI Engine
EML = 5.9L V8 MPI Engine
ERH = 4.0L Power Tech I-6 Engine

TRANSMISSION
DGK = 4-Spd. Automatic 42RE Transmission
DGW = 4-Spd. Automatic 4RE Transmission
DG0 = Transmissions - All Automatic

AR = use ase required - = Non illustrated part

1997 ZJ

**Decals
Figure EZJ-360**



| ITEM | PART NUMBER | QTY | LINE | SERIES | BODY | ENGINE | TRANS | TRIM | DESCRIPTION |
|------|-------------|-----|------|--------|------|--------|-------|------|-------------|
|------|-------------|-----|------|--------|------|--------|-------|------|-------------|

NOTE: Stripes are painted

| | | | | | | | | | |
|----|------------|---|--|--|--|--|--|--|---|
| 1 | 5DL32MXW | 1 | | | | | | | DECAL, Country, "Up Country Suspension" *** |
| 2 | | | | | | | | | NAMEPLATE, Grand Cherokee |
| | 5EN80SA1 | 2 | | | | | | | Silver |
| | 5EN80SY1 | 2 | | | | | | | Sand |
| 3 | | | | | | | | | NAMEPLATE, Jeep |
| | 5EM87SA1 | 2 | | | | | | | Silver |
| | 5EM87SY1 | 2 | | | | | | | Sand |
| 4 | | | | | | | | | NAMEPLATE |
| | 5EN78SA1 | 1 | | | | | | | Silver |
| | 5EN78SY1 | 1 | | | | | | | Sand |
| 5 | | | | | | | | | NAMEPLATE, Jeep, [4x4] |
| | 5EM89SA1 | 2 | | | | | | | Silver |
| | 5EM89SY1 | 2 | | | | | | | Sand |
| 6 | | | | | | | | | DIMENSIONAL GRAPHIC |
| | 5EM91SA1 | 2 | | | | | | | Silver |
| | 5EM91SY1 | 2 | | | | | | | Sand |
| -7 | 5EN82HC3 | 1 | | | | | | | NAMEPLATE, TSI |
| -8 | 5EM93SJYAB | 2 | | | | | | | NAMEPLATE, ORVIS, ORVIS |

GRAND CHEROKEE (ZJ)

SERIES LINE
L = LOWLINE T = JEEP - 2WD
 J = JEEP - 4WD

BODY
74 = SPORT UTILITY 4-DR

ENGINE
ELF = 5.2L V8 MPI Engine
EML = 5.9L V8 MPI Engine
ERH = 4.0L Power Tech I-6 Engine

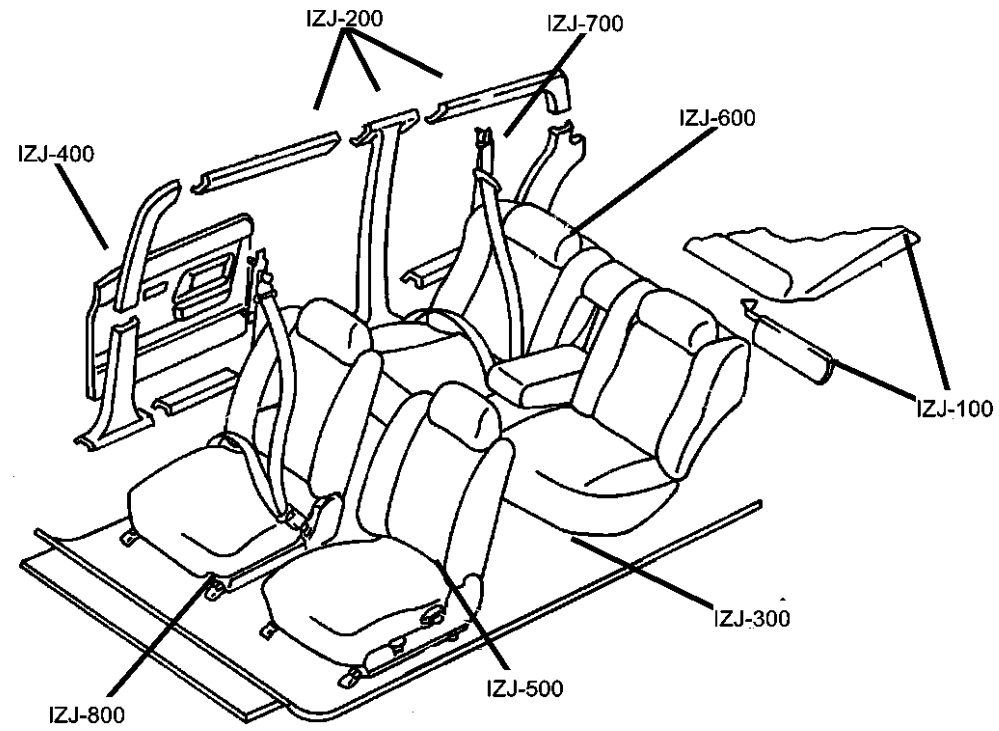
TRANSMISSION
DGK = 4-Spd. Automatic 42RE Transmission
DGW = 4-Spd. Automatic 4RE Transmission
DG0 = Transmissions - All Automatic

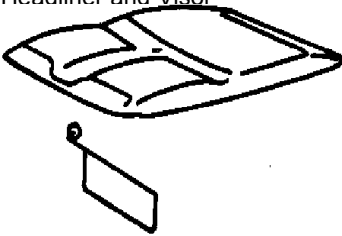
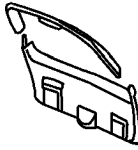
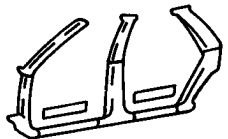
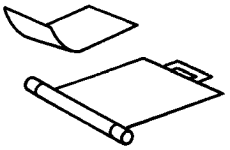
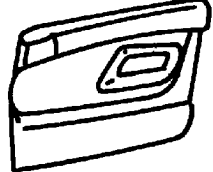

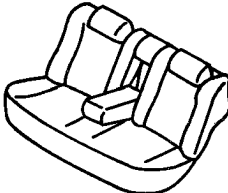
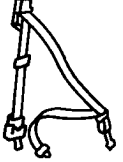
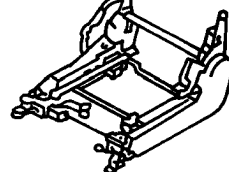
AR = use ase required - = Non illustrated part

1997 ZJ

Group - IZJ

Interior Trim

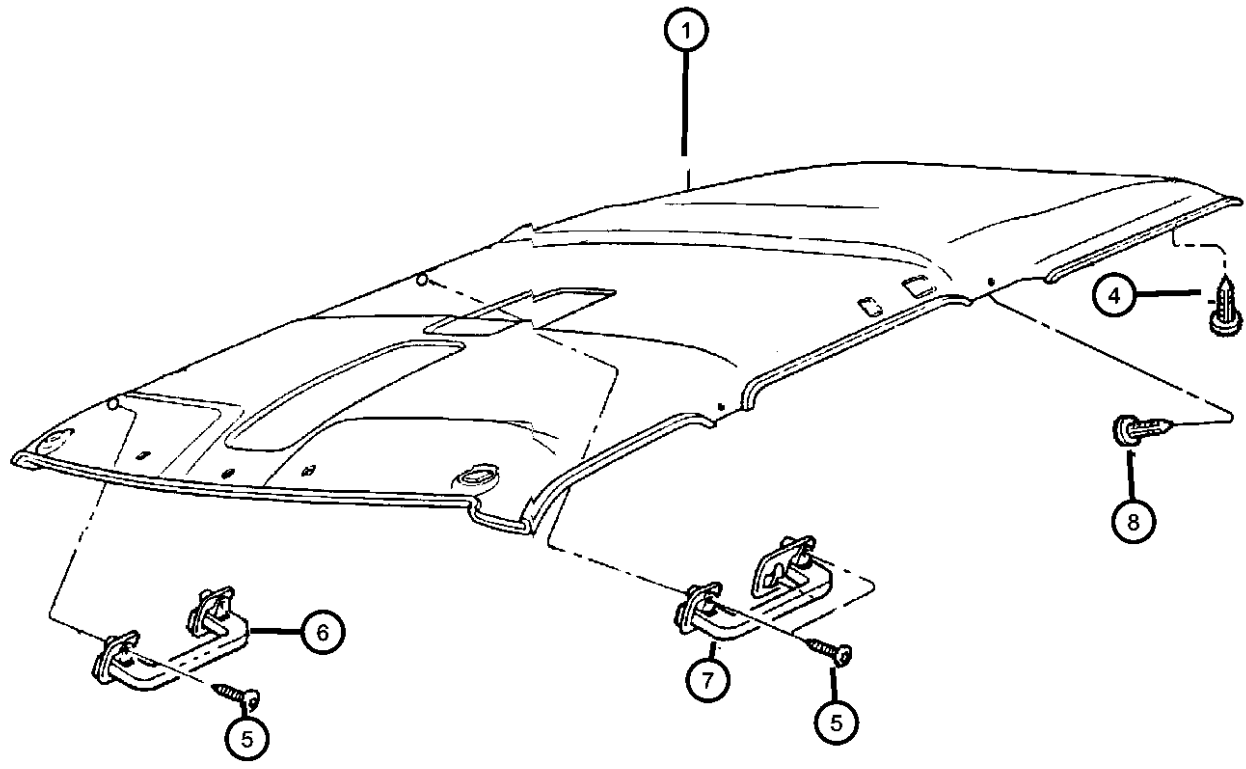


| | | | |
|---|---|--|---|
| <p>IZJ-100 Headliner and Visor</p>  | <p>IZJ-1000 Lift Gate Trim</p>  | <p>IZJ-200 Panel-Mouldings, Scuff Plates</p>  | <p>IZJ-300 Carpet</p>  |
| <p>IZJ-400 Door Trim Panels, Front and Rear</p>  | <p>IZJ-500 Front Seats and Attaching Parts</p>  | <p>IZJ-600 Rear Seats and Attaching Parts</p>  | <p>IZJ-700 Seat Belts-Front and Rear</p>  |
| <p>IZJ-800 Adjusters, Covers, Shields and Risers</p>  | | | |

Group - IZJ Interior Trim

| Illustration Title | Group-Fig. No. |
|--|-----------------|
| Headliner and Visor | |
| Headliner And Assist Handles | Fig. IZJ - 110 |
| Sunvisors | Fig. IZJ - 120 |
| Panel-Mouldings, Scuff Plates | |
| Interior Trim Panels And Garnish Mouldings | Fig. IZJ - 210 |
| Carpet | |
| Carpet | Fig. IZJ - 310 |
| Insulation | Fig. IZJ - 320 |
| Cargo Cover And Cargo Loops | Fig. IZJ - 330 |
| Door Trim Panels, Front and Rear | |
| Panels, Door Trim | Fig. IZJ - 410 |
| Front Seats and Attaching Parts | |
| Front Seat, Trim Code [CL] | Fig. IZJ - 510 |
| Front Seat, Trim Code [EL] | Fig. IZJ - 520 |
| Front Seat, Trim Code [F5] | Fig. IZJ - 530 |
| Front Seats, Trim Codes [GI, FL] | Fig. IZJ - 540 |
| Rear Seats and Attaching Parts | |
| Rear Seat | Fig. IZJ - 610 |
| Seat Belts-Front and Rear | |
| Seat Belts Front Seat | Fig. IZJ - 710 |
| Seat Belts Rear Seat | Fig. IZJ - 720 |
| Adjusters, Covers, Shields and Risers | |
| Recliner And Seat Track Front Seat | Fig. IZJ - 810 |
| Lift Gate Trim | |
| Panels, Liftgate And Scuff Plate | Fig. IZJ - 1010 |

Headliner And Assist Handles
Figure IZJ-110



| ITEM | PART NUMBER | QTY | LINE | SERIES | BODY | ENGINE | TRANS | TRIM | DESCRIPTION |
|------|-------------|-----|------|--------|------|--------|-------|------|---|
| 1 | | | | | | | | | HEADLINER |
| | 5EA43ST6 | 1 | | | | | | *O0 | Without Overhead Console, Without Sunroof, [T6, TJ] |
| | 5EA43SC1 | 1 | | | | | | *O0 | Without Overhead Console, Without Sunroof, [AZ, C3] |
| | 5EC44SC1 | 1 | | | | | | *O0 | With Overhead Console, [AZ, C3] |
| | 5EC44ST6 | 1 | | | | | | | With Overhead Console, [T6, TJ] |
| | 5EF33SC1 | 1 | | | | | | *O0 | With Sunroof, [AZ, C3], Includes Plate and Bracket For Sunroof Switch |
| | 5EF33ST6 | 1 | | | | | | *O0 | With Sunroof, [T6, TJ], Includes Plate and Bracket For Sunroof Switch |
| | 5FJ79LAZAB | 1 | | | | | | *O0 | With Sunroof and Sound Bar, [AZ] |
| -2 | | | | | | | | | WELT, Headliner |
| | 5EJ60ST6 | 1 | | | | | | *O0 | [T6, TJ] |
| | 5EJ60SC1 | 1 | | | | | | *O0 | [AZ, C3] |
| -3 | | | | | | | | | RETAINER, Sunroof Welt, Quartz |
| | 5EM70SC1 | 1 | | | | | | *O0 | [AZ, C3] |
| | 5EM70ST6 | 1 | | | | | | *O0 | [T6, TJ] |
| 4 | | | | | | | | | FASTENER, Headliner, M31.70 Hole |
| | 0H452SC1 | 2 | | | | | | *O0 | [AZ, C3] |
| | 0H452ST6 | 2 | | | | | | *O0 | [T6, TJ] |
| 5 | 06035691 | 2 | | | | | | | SCREW, Self Taping, M4x12, Assist Handle |
| 6 | | | | | | | | | HANDLE, Grab |
| | 5DG02SC1 | 1 | | | | | | *O0 | [AZ, C3] |
| | 5DG02ST6 | 1 | | | | | | *O0 | [T6, TJ] |
| 7 | | | | | | | | | HANDLE, Grab |
| | 5ES14SAZ | 1 | | | | | | *O0 | [AZ], Limited, Right |
| | 5ES14SC1 | 1 | | | | | | *O0 | [AZ, C3], Laredo, Right |
| | 5ES14ST6 | 1 | | | | | | *O0 | [TJ, T6], Laredo, Right |
| | 5ES15SAZ | 1 | | | | | | *O0 | [AZ], Limited, Left |
| | 5ES15SC1 | 1 | | | | | | *O0 | [AZ, C3], Laredo, Left |
| | 5ES15ST6 | 1 | | | | | | *O0 | [TJ, T6], Laredo, Left |
| 8 | 06030441 | 2 | | | | | | | PIN, Retainer, Push-In Fins,.250x.900 |

GRAND CHEROKEE (ZJ)

SERIES LINE
L = LOWLINE T = JEEP - 2WD
 J = JEEP - 4WD

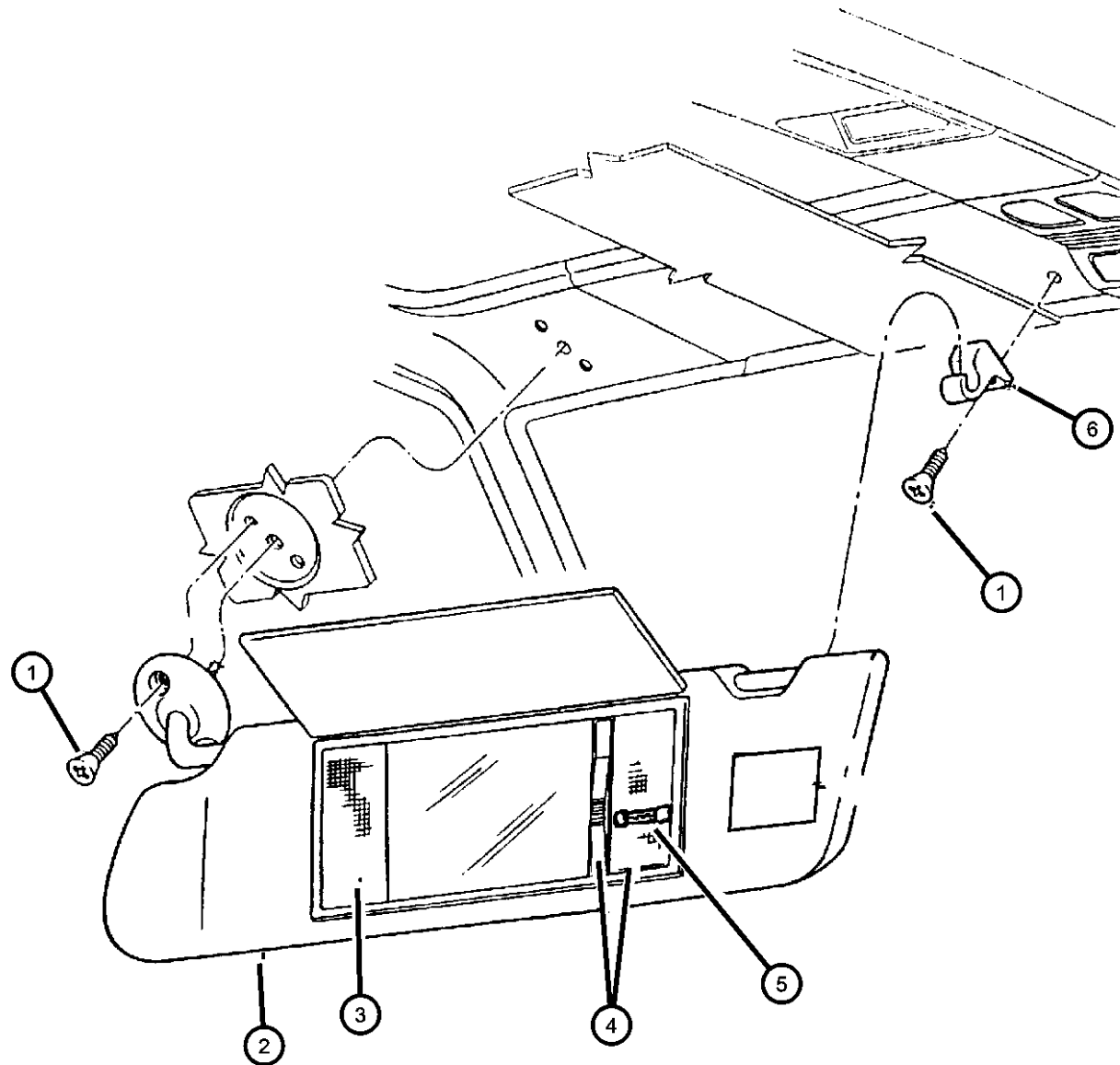
BODY
74 = SPORT UTILITY 4-DR

ENGINE
ELF = 5.2L V8 MPI Engine
EML = 5.9L V8 MPI Engine
ERH = 4.0L Power Tech I-6 Engine

TRANSMISSION
DGK = 4-Spd. Automatic 42RE Transmission
DGW = 4-Spd. Automatic 4RE Transmission
DG0 = Transmissions - All Automatic

AR = use ase required - = Non illustrated part

**Sunvisors
Figure IZJ-120**



| ITEM | PART NUMBER | QTY | LINE | SERIES | BODY | ENGINE | TRANS | TRIM | DESCRIPTION |
|------|-------------|-----|------|--------|------|--------|-------|------|--|
| 1 | 06035691 | 4 | | | | | | | SCREW, Self Taping, M4x12, .190-16x1.00 |
| 2 | | | | | | | | | VISOR, Illuminated |
| | 5FK65ST6 | 1 | | | | | | *O0 | Lighted, [T6], Up to 2-25-97, Left |
| | 5FC44SC1 | 1 | | | | | | *O0 | Extended, [C3], Up to 2-25-97, Right |
| | 5FC44ST6 | 1 | | | | | | *O0 | Extended, [T6], Up to 2-25-97, Right |
| | 5FC44TAZ | 1 | | | | | | *O0 | Extended, [AZ], Up to 2-25-97, Right |
| | 5FC44LAZAB | 1 | | | | | | *O0 | Extended, [AZ], After 2-25-97, Right |
| | 5FC44RC1AB | 1 | | | | | | *O0 | Extended, [C3], After 2-25-97, Right |
| | 5FC44RT6AB | 1 | | | | | | *O0 | Extended, [T6], After 2-25-97, Right |
| | 5FC73SC1 | 1 | | | | | | *O0 | Lighted, [AZ, C3], Up to 2-25-97, Right |
| | 5FC73ST6 | 1 | | | | | | *O0 | Lighted, [T6], Up to 2-25-97, Right |
| | 5FC73RC1AB | 1 | | | | | | *O0 | Lighted, [AZ, C3], After 2-25-97, Right |
| | 5FC73RT6AB | 1 | | | | | | *O0 | Lighted, [T6], After 2-25-97, Right |
| | 5FK65SC1 | 1 | | | | | | *O0 | Lighted, [AZ, C3], Up to 2-25-97, Left |
| | 5FK65RC1AB | 1 | | | | | | *O0 | Lighted, [AZ, C3], After 2-25-97, Left |
| | 5FK65RT6AB | 1 | | | | | | *O0 | Lighted, [T6], After 2-25-97, Left |
| | 5FK66SC1 | 1 | | | | | | *O0 | Extended, With Garage Door Opener, [C3], Up to 2-25-97, Left |
| | 5FK66ST6 | 1 | | | | | | *O0 | Extended, With Garage Door Opener, [T6], Up to 2-25-97, Left |
| | 5FK66TAZ | 1 | | | | | | *O0 | Extended, With Garage Door Opener, [AZ], Up to 2-25-97, Left |
| | 5FK66LAZAB | 1 | | | | | | *O0 | Extended, With Garage Door Opener, [AZ], After 2-25-97, Left |
| | 5FK66RC1AB | 1 | | | | | | *O0 | Extended, With Garage Door Opener, [C3], After 2-25-97, Left |
| | 5FK66RT6AB | 1 | | | | | | *O0 | Extended, With Garage Door Opener, [T6], After 2-25-97, Left |
| 3 | | | | | | | | | LENS, Illuminated Visor |
| | 04620137 | 1 | J | | 74 | | | | Left |
| | | 1 | T | | 74 | | | | Left |
| 4 | | | | | | | | | LENS, Illuminated Visor |

GRAND CHEROKEE (ZJ)

SERIES LINE
L = LOWLINE T = JEEP - 2WD
 J = JEEP - 4WD

BODY
74 = SPORT UTILITY 4-DR

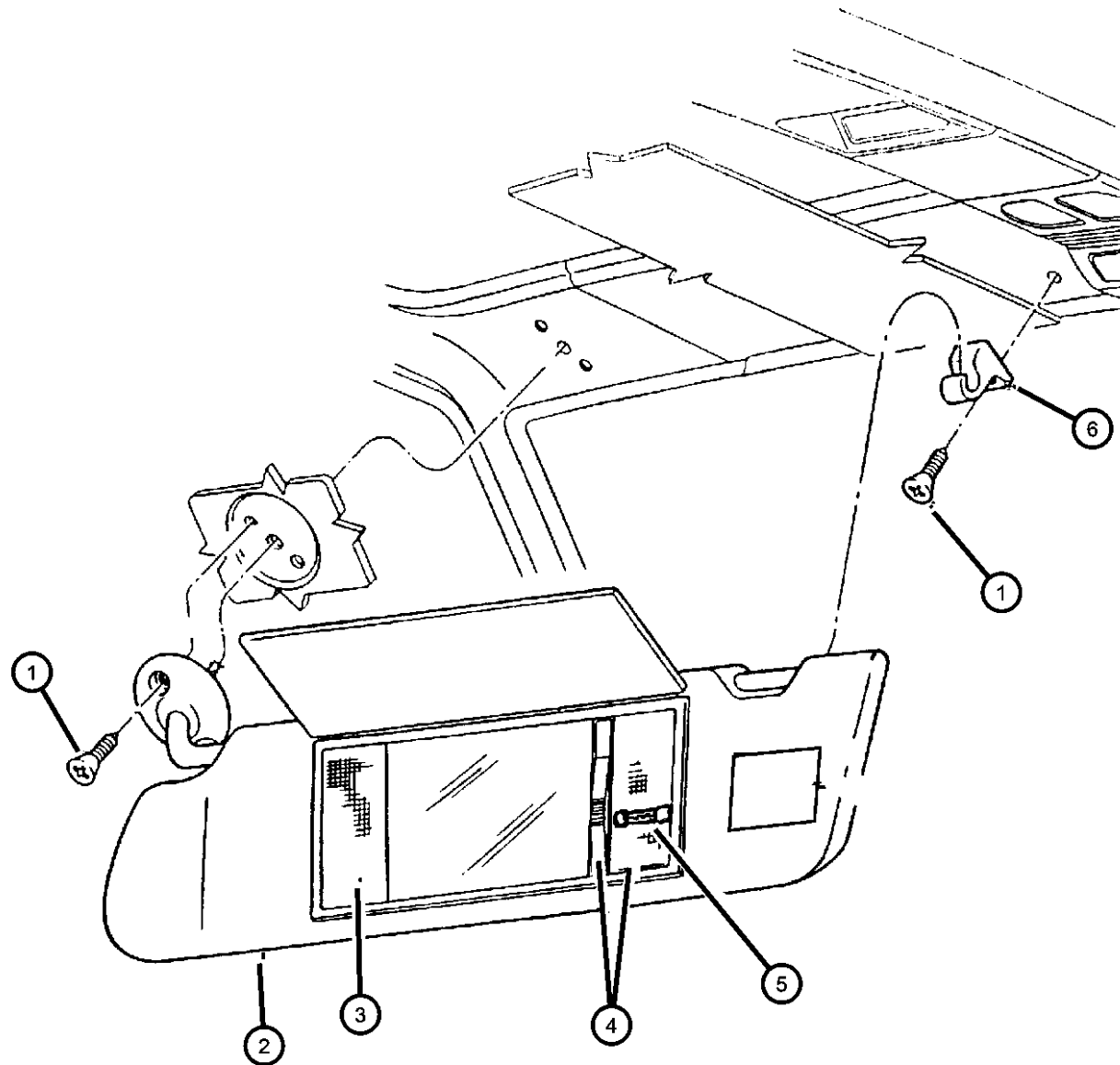
ENGINE
ELF = 5.2L V8 MPI Engine
EML = 5.9L V8 MPI Engine
ERH = 4.0L Power Tech I-6 Engine

TRANSMISSION
DGK = 4-Spd. Automatic 42RE Transmission
DGW = 4-Spd. Automatic 4RE Transmission
DG0 = Transmissions - All Automatic

AR = use ase required - = Non illustrated part

1997 ZJ

Sunvisors
Figure IZJ-120



| ITEM | PART NUMBER | QTY | LINE | SERIES | BODY | ENGINE | TRANS | TRIM | DESCRIPTION |
|------|-------------|-----|------|--------|------|--------|-------|------|-----------------------------------|
| | 04620136 | 1 | | | | | | | With Button, Right |
| | | 1 | | | | | | *O0 | With Button, Right |
| 5 | 06501966 | 2 | | | | | | | BULB, 74 |
| 6 | | | | | | | | | BRACKET, Sunvisor |
| | 5EZ92SC1 | 1 | | | | | | *O0 | [C3], Also Serviced With Sunvisor |
| | 5EZ92ST6 | 1 | | | | | | *O0 | [T6], Also Serviced With Sunvisor |
| | 5EZ92TAZ | 1 | | | | | | *O0 | [AZ], Also Serviced With Sunvisor |
| -7 | 52008712 | 1 | | | | | | | LABEL, Anti-lock Brake Operation |

GRAND CHEROKEE (ZJ)

SERIES LINE
L = LOWLINE T = JEEP - 2WD
 J = JEEP - 4WD

BODY
74 = SPORT UTILITY 4-DR

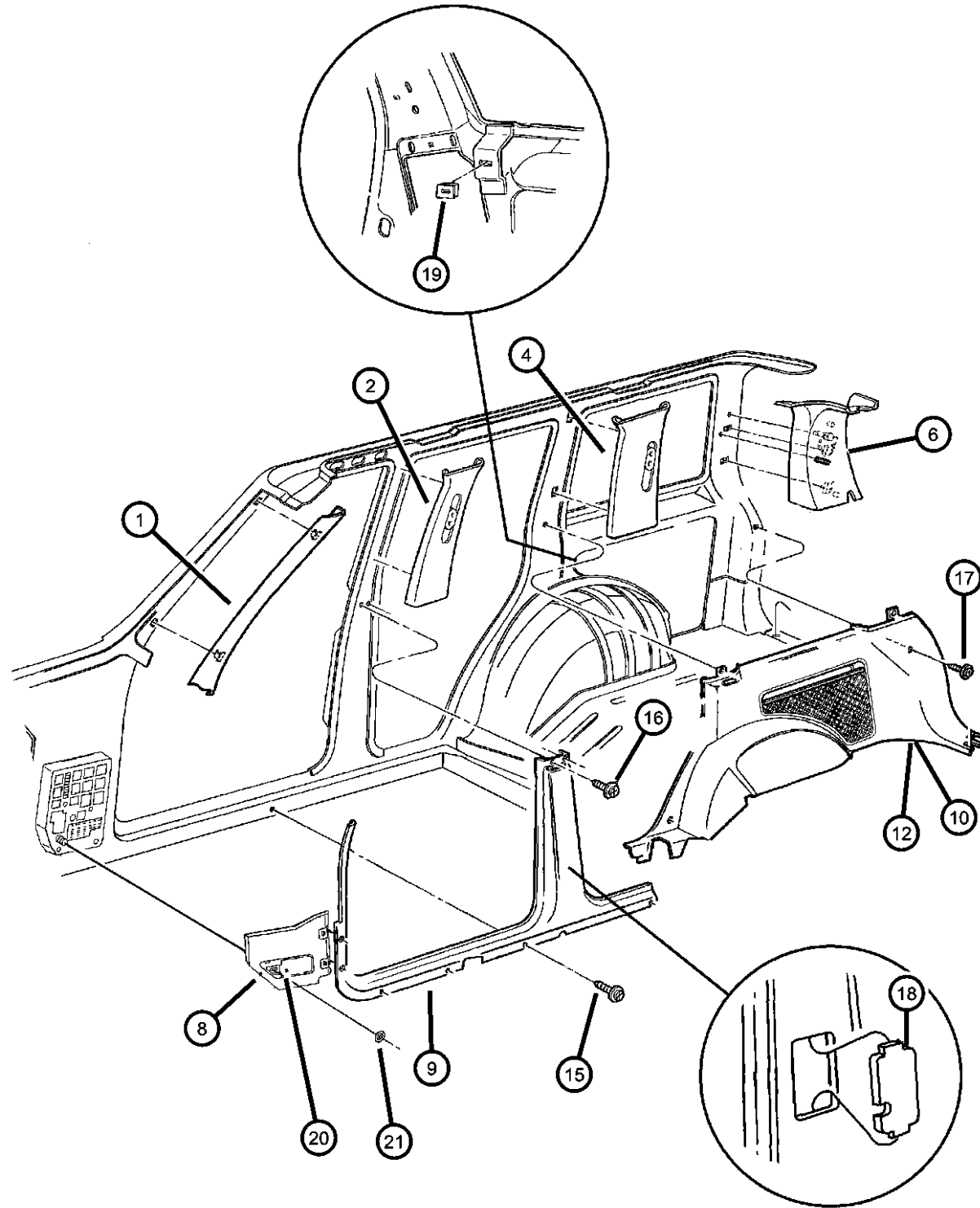
ENGINE
ELF = 5.2L V8 MPI Engine
EML = 5.9L V8 MPI Engine
ERH = 4.0L Power Tech I-6 Engine

TRANSMISSION
DGK = 4-Spd. Automatic 42RE Transmission
DGW = 4-Spd. Automatic 4RE Transmission
DG0 = Transmissions - All Automatic

AR = use ase required - = Non illustrated part

1997 ZJ

**Interior Trim Panels And Garnish Mouldings
Figure IZJ-210**



| ITEM | PART NUMBER | QTY | LINE | SERIES | BODY | ENGINE | TRANS | TRIM | DESCRIPTION |
|--|-------------|-----|------|--------|------|--------|-------|------|---|
| NOTE: The left quarter trim panel includes the fuel filler remote access door and spare tire standoff. | | | | | | | | | |
| 1 | | | | | | | | | MOLDING, Windshield Garnish, Includes Clips |
| | 5FC58SAZ | 1 | | | | | | *00 | [AZ], Right |
| | 5FC58SC8 | 1 | | | | | | *00 | [C3], Right |
| | 5FC58ST6 | 1 | | | | | | *00 | [TJ, T6], Right |
| | 5FC59SAZ | 1 | | | | | | *00 | [AZ], Left |
| | 5FC59SC8 | 1 | | | | | | *00 | [C3], Left |
| | 5FC59ST6 | 1 | | | | | | *00 | [TJ, T6], Left |
| 2 | | | | | | | | | PANEL, B Pillar Upper Trim, Includes Adjuster |
| | 5FM54SAZ | 1 | | | | | | *00 | [AZ], Right |
| | 5FM54SC1 | 1 | | | | | | *00 | [C3], Right |
| | 5FM54ST6 | 1 | | | | | | *00 | [TJ, T6], Right |
| | 5FM55SAZ | 1 | | | | | | *00 | [AZ], Left |
| | 5FM55SC1 | 1 | | | | | | *00 | [C3], Left |
| | 5FM55ST6 | 1 | | | | | | *00 | [TJ, T6], Left |
| -3 | | | | | | | | | ADJUSTER, Seat Belt Turning Loop |
| | 5DU36SAZ | 1 | | | | | | *00 | [AZ] |
| | 5DU36SC1 | 1 | | | | | | *00 | [C3] |
| | 5DU36ST6 | 1 | | | | | | *00 | [TJ, T6] |
| 4 | | | | | | | | | PANEL, C Pillar, Includes Adjuster |
| | 5FM56SAZ | 1 | | | | | | *00 | [AZ], Right |
| | 5FM56SC1 | 1 | | | | | | *00 | [C3], Right |
| | 5FM56ST6 | 1 | | | | | | *00 | [TJ, T6], Right |
| | 5FM57SAZ | 1 | | | | | | *00 | [AZ], Left |
| | 5FM57SC1 | 1 | | | | | | *00 | [C3], Left |
| | 5FM57ST6 | 1 | | | | | | *00 | [TJ, T6], Left |
| -5 | | | | | | | | | ADJUSTER, Seat Belt Turning Loop |
| | 5DU36SAZ | 1 | | | | | | *00 | [AZ] |
| | 5DU36SC1 | 1 | | | | | | *00 | [C3] |
| | 5DU36ST6 | 1 | | | | | | *00 | [TJ, T6] |
| 6 | | | | | | | | | PANEL, D Pillar Trim |
| | 5FM36SAZ | 1 | | | | | | *00 | [AZ], Right |
| | 5FM36SC3 | 1 | | | | | | *00 | [C3], Right |

GRAND CHEROKEE (ZJ)

SERIES LINE
L = LOWLINE T = JEEP - 2WD
 J = JEEP - 4WD

BODY
74 = SPORT UTILITY 4-DR

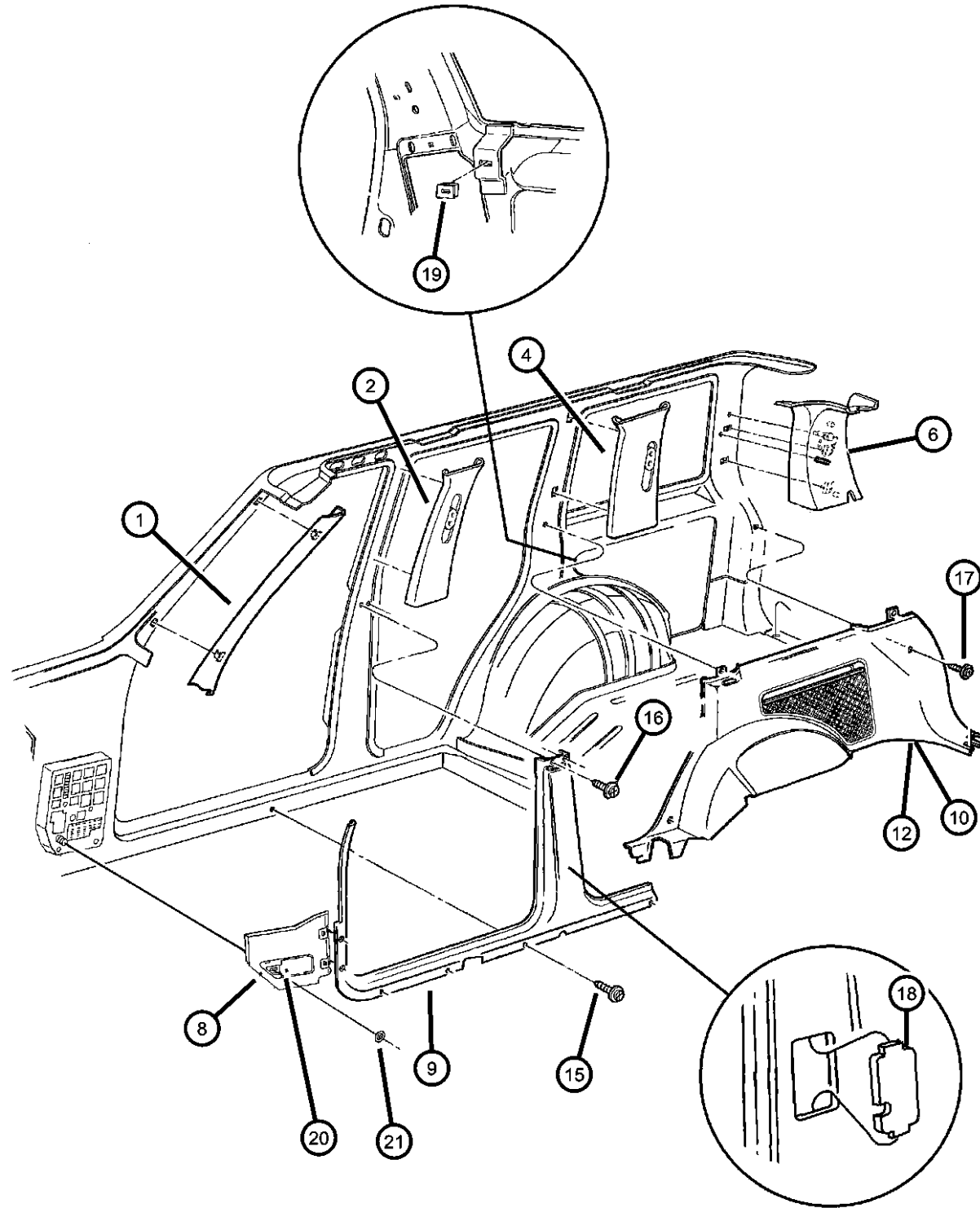
ENGINE
ELF = 5.2L V8 MPI Engine
EML = 5.9L V8 MPI Engine
ERH = 4.0L Power Tech I-6 Engine

TRANSMISSION
DGK = 4-Spd. Automatic 42RE Transmission
DGW = 4-Spd. Automatic 4RE Transmission
DG0 = Transmissions - All Automatic

AR = use ase required - = Non illustrated part

1997 ZJ

Interior Trim Panels And Garnish Mouldings
Figure IZJ-210



| ITEM | PART NUMBER | QTY | LINE | SERIES | BODY | ENGINE | TRANS | TRIM | DESCRIPTION |
|------|-------------|-----|------|--------|------|--------|-------|------|---|
| | 5FM36ST6 | 1 | | | | | | *O0 | [TJ, T6], Right |
| | 5FM37SAZ | 1 | | | | | | *O0 | [AZ], Left |
| | 5FM37SC3 | 1 | | | | | | *O0 | [C3], Left |
| | 5FM37ST6 | 1 | | | | | | *O0 | [TJ, T6], Left |
| -7 | | | | | | | | | INSULATION, D Pillar Trim Panel |
| | 55033368 | 1 | | | | | | | Right |
| | 55033369 | 1 | | | | | | | Left |
| 8 | | | | | | | | | PANEL, Cowl |
| | 0QQ31SAZ | 1 | | | | | | *O0 | [AZ], Right |
| | 0QQ31SC3 | 1 | | | | | | *O0 | [C3], Right |
| | 0QQ31ST6 | 1 | | | | | | *O0 | [TJ, T6], Right |
| | 0QQ33SAZ | 1 | | | | | | *O0 | [AZ], Left |
| | 0QQ33SC3 | 1 | | | | | | *O0 | [C3], Left |
| | 0QQ33ST6 | 1 | | | | | | *O0 | [TJ, T6], Left |
| 9 | | | | | | | | | PANEL, B Pillar Lower Trim |
| | 5FM24SAZ | 1 | | | | | | *O0 | [AZ], Right |
| | 5FM24SC3 | 1 | | | | | | *O0 | [C3], Right |
| | 5FM24ST6 | 1 | | | | | | *O0 | [TJ, T6], Right |
| | 5FM25SAZ | 1 | | | | | | *O0 | [AZ], Left |
| | 5FM25SC3 | 1 | | | | | | *O0 | [C3], Left |
| | 5FM25ST6 | 1 | | | | | | *O0 | [TJ, T6], Left |
| 10 | | | | | | | | | PANEL, Quarter Trim, Includes Carpet, Seatbelt Stowage Retainer, Cargo Cover Mounting Brackets and Insulation |
| | 5FN81LAZ | 1 | | | | | | *O0 | [AZ], Left |
| | 5FN81RC3 | 1 | | | | | | *O0 | [C3], Left |
| | 5FN81RT6 | 1 | | | | | | *O0 | [TJ, T6], Left |
| -11 | | | | | | | | | DOOR, Fuel Fill |
| | 5FB52SAZ | 1 | | | | | | *O0 | [AZ] |
| | 5FB52SC3 | 1 | | | | | | *O0 | [C3] |
| | 5FB52ST6 | 1 | | | | | | *O0 | [TJ, T6] |
| 12 | | | | | | | | | PANEL, Quarter Trim, Includes Carpet, Seatbelt Stowage Retainer, Cargo Cover Mounting Brackets and Insulation |

GRAND CHEROKEE (ZJ)

SERIES LINE
L = LOWLINE T = JEEP - 2WD
 J = JEEP - 4WD

BODY
74 = SPORT UTILITY 4-DR

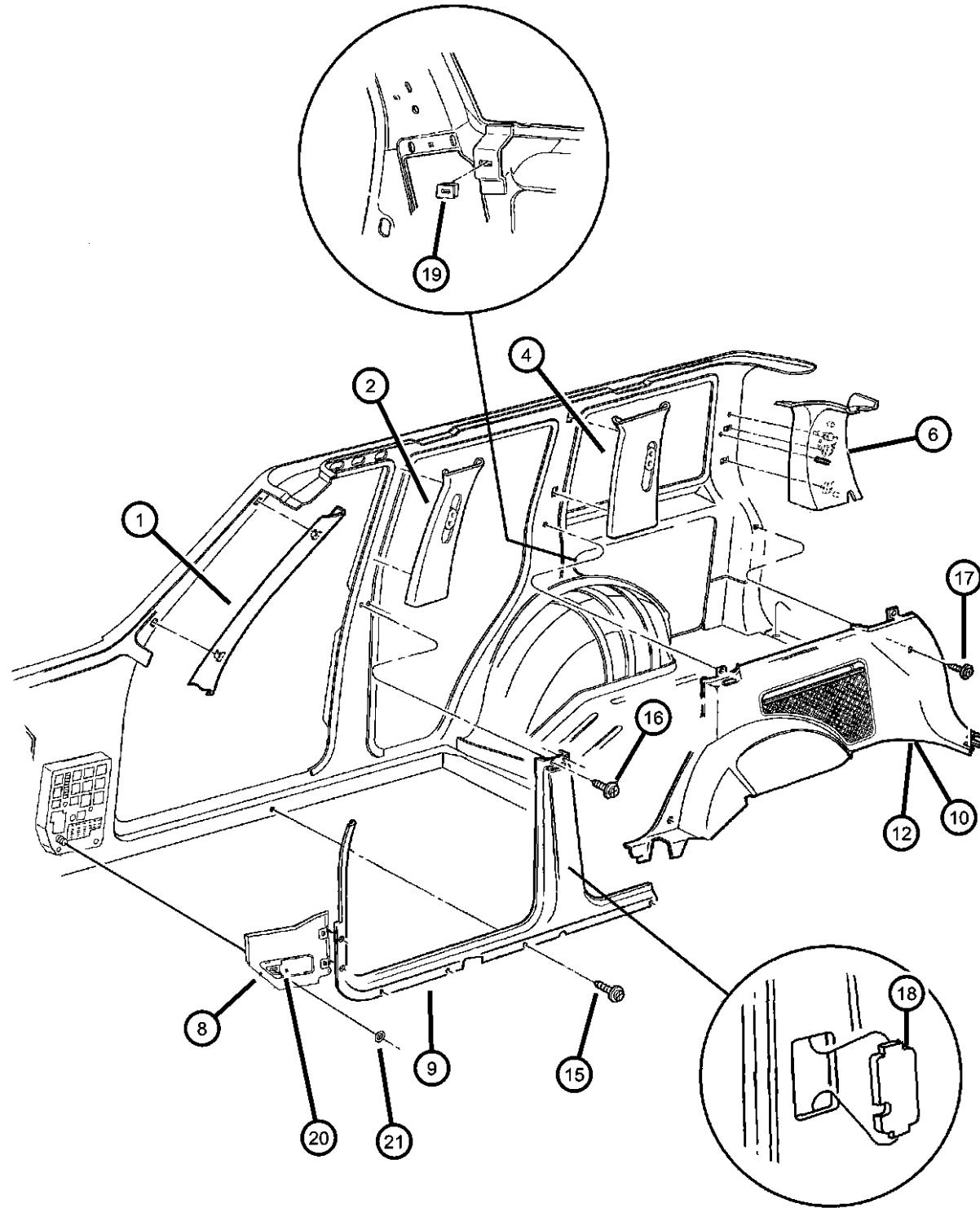
ENGINE
ELF = 5.2L V8 MPI Engine
EML = 5.9L V8 MPI Engine
ERH = 4.0L Power Tech I-6 Engine

TRANSMISSION
DGK = 4-Spd. Automatic 42RE Transmission
DGW = 4-Spd. Automatic 4RE Transmission
DG0 = Transmissions - All Automatic

AR = use ase required - = Non illustrated part

1997 ZJ

Interior Trim Panels And Garnish Mouldings
Figure IZJ-210



| ITEM | PART NUMBER | QTY | LINE | SERIES | BODY | ENGINE | TRANS | TRIM | DESCRIPTION |
|------|-------------|-----|------|--------|------|--------|-------|------|---|
| | 5FN731C3 | 1 | | | | | | *00 | [C3], Right |
| | 5FN731T6 | 1 | | | | | | *00 | [TJ, T6], Right |
| | 5FN731AZ | 1 | | | | | | *00 | [AZ], Right |
| -13 | | | | | | | | | RETAINER, Seat belt stowage, Also Included in Quarter Trim Panel |
| | 5DG18SAZ | 1 | J | | 74 | | | *00 | [AZ] |
| | | 1 | T | | 74 | | | *00 | [AZ] |
| | 5DG18SC3 | 1 | J | | 74 | | | *00 | [C3] |
| | | 1 | T | | 74 | | | *00 | [C3] |
| | 5DG18ST6 | 1 | J | | 74 | | | *00 | [TJ, T6] |
| | | 1 | T | | 74 | | | *00 | [TJ, T6] |
| -14 | | | | | | | | | RIVET, .125 Grip .12/.30 |
| | 06032976 | 1 | J | | 74 | | | | Seatbelt Stowage Retainer to Panel |
| | | 1 | T | | 74 | | | | Seatbelt Stowage Retainer to Panel |
| 15 | | 1 | | | | | | | SCREW, .164-18X.925, (NOT SERVICED), |
| 16 | 06032723 | 4 | | | | | | | SCREW, Self Tapping, M4.2x1.69x19.05 |
| 17 | 06035369 | 2 | | | | | | | SCREW, Piercing, .164-15x1.25 |
| 18 | 06035369 | 2 | | | | | | | PLUG, B Pillar Wire Harness Cover, (NOT SERVICED) |
| 19 | 06035773 | 4 | | | | | | | NUT, Trim to Cargo Cover Mounting Bracket |
| 20 | | | | | | | | | PANEL, Fuse Box Access |
| | 5FF79SAZ | 1 | | | | | | *00 | [AZ] |
| | 5FF79SC3 | 1 | | | | | | *00 | [C3] |
| | 5FF79ST6 | 1 | | | | | | *00 | [TJ, T6] |
| 21 | J4005955 | 1 | | | | | | | NUT, Push-On |

GRAND CHEROKEE (ZJ)

SERIES LINE
L = LOWLINE T = JEEP - 2WD
 J = JEEP - 4WD

BODY
74 = SPORT UTILITY 4-DR

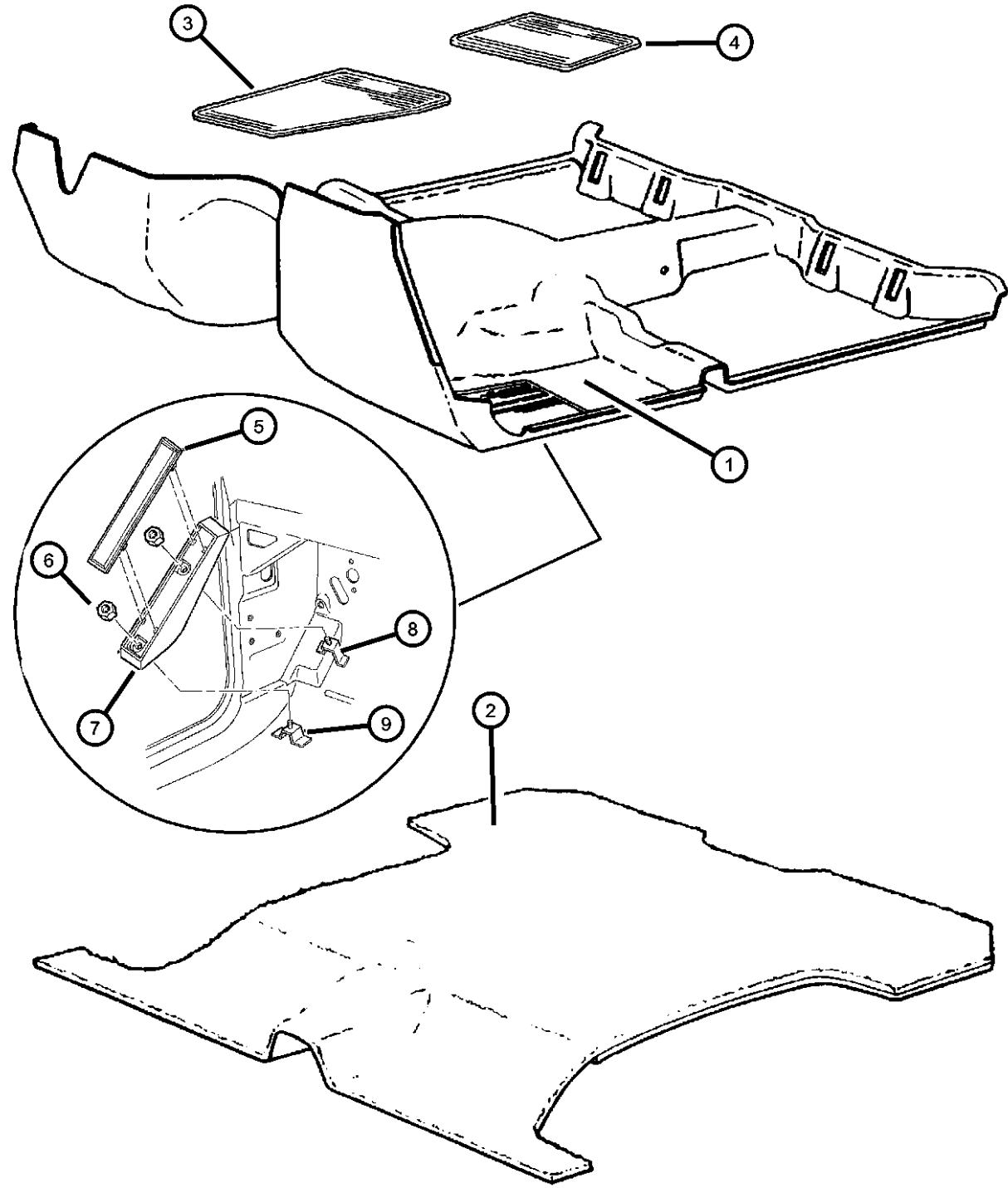
ENGINE
ELF = 5.2L V8 MPI Engine
EML = 5.9L V8 MPI Engine
ERH = 4.0L Power Tech I-6
Engine

TRANSMISSION
DGK = 4-Spd. Automatic 42RE
Transmission
DGW = 4-Spd. Automatic 4RE
Transmission
DG0 = Transmissions - All Automatic

AR = use ase required - = Non illustrated part

1997 ZJ

Carpet
Figure IZJ-310



| ITEM | PART NUMBER | QTY | LINE | SERIES | BODY | ENGINE | TRANS | TRIM | DESCRIPTION |
|------|-------------|-----|------|--------|------|--------|-------|------|--------------------------------------|
| 1 | | | | | | | | | CARPET, Floor |
| | 5EY56LAZ | 1 | J | | 74 | | | *00 | [AZ] |
| | | 1 | T | | 74 | | | *00 | [AZ] |
| | 5EY56RC3 | 1 | J | | 74 | | | *00 | [C3] |
| | | 1 | T | | 74 | | | *00 | [C3] |
| | 5EY56RT6 | 1 | J | | 74 | | | *00 | [TJ, T6] |
| | | 1 | T | | 74 | | | *00 | [TJ, T6] |
| 2 | | | | | | | | | CARPET, Cargo Floor |
| | 5EY58LAZ | 1 | J | | 74 | | | *00 | [AZ] |
| | | 1 | T | | 74 | | | *00 | [AZ] |
| | 5EY58RC3 | 1 | J | | 74 | | | *00 | [C3] |
| | | 1 | T | | 74 | | | *00 | [C3] |
| | 5EY58RT6 | 1 | J | | 74 | | | *00 | [TJ, T6] |
| | | 1 | T | | 74 | | | *00 | [TJ, T6] |
| 3 | | | | | | | | | MAT KIT, Front |
| | 82202601 | 1 | | | | | | | [AZ] |
| | 82202602 | 1 | | | | | | | [C3] |
| | 82202603 | 1 | | | | | | | [TJ, T6] |
| 4 | | | | | | | | | MAT KIT, Floor - Rear |
| | 82202604 | 1 | | | | | | | [AZ] |
| | 82202605 | 1 | | | | | | | [C3] |
| | 82202606 | 1 | | | | | | | [TJ, T6] |
| 5 | 55215941 | 1 | | | | | | | PAD, Foot Rest, Footrest |
| 6 | 34201680 | 2 | | | | | | | NUT, Hex Flange, M6x1 |
| 7 | 55196534 | 1 | | | | | | | FOOTREST |
| 8 | 55295768 | 1 | | | | | | | BRACKET, Foot Rest, With Stud, Upper |
| 9 | 55295767 | 1 | | | | | | | BRACKET, Foot Rest, With Stud, Lower |

GRAND CHEROKEE (ZJ)

SERIES LINE
 L = LOWLINE T = JEEP - 2WD
 J = JEEP - 4WD

BODY
 74 = SPORT UTILITY 4-DR

ENGINE
 ELF = 5.2L V8 MPI Engine
 EML = 5.9L V8 MPI Engine
 ERH = 4.0L Power Tech I-6 Engine

TRANSMISSION
 DGK = 4-Spd. Automatic 42RE Transmission
 DGW = 4-Spd. Automatic 4RE Transmission
 DG0 = Transmissions - All Automatic

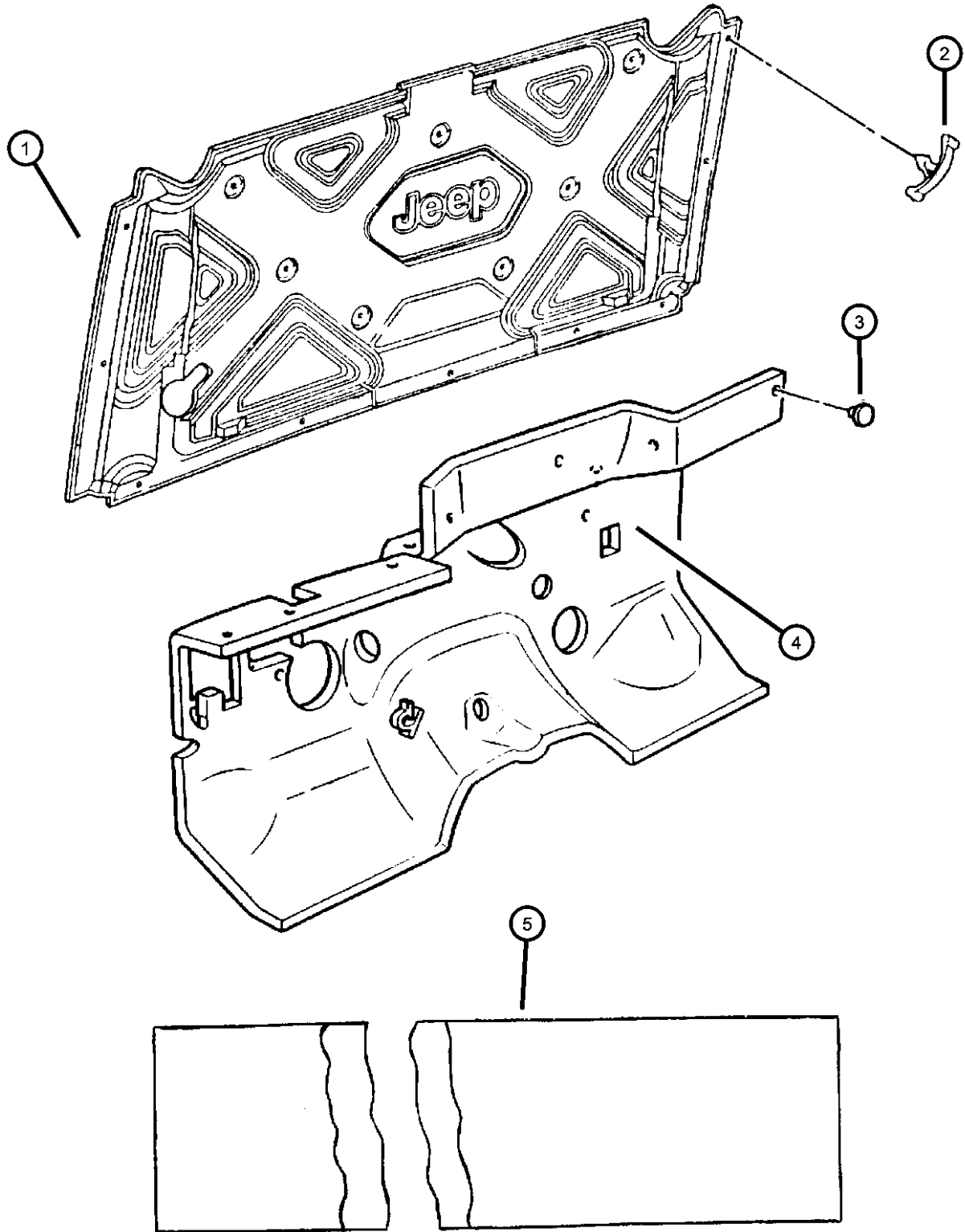
AR = use ase required - = Non illustrated part

Insulation
Figure IZJ-320

| ITEM | PART NUMBER | QTY | LINE | SERIES | BODY | ENGINE | TRANS | TRIM | DESCRIPTION |
|------|-------------|-----|------|--------|------|--------|-------|------|-------------|
|------|-------------|-----|------|--------|------|--------|-------|------|-------------|

NOTE: For insulation on trim panels, look up the trim part and if the insulation is serviced it will be listed as a non illustrated part.

| | | | | | | | | | |
|---|----------|----|--|--|--|--|--|--|--|
| 1 | 55215330 | 1 | | | | | | | INSULATION, Hood |
| 2 | 06003351 | 16 | | | | | | | RETAINER, Hood Insulation, .415x.690 |
| 3 | J3081054 | 10 | | | | | | | CLIP, Silencer |
| 4 | 55196231 | 1 | | | | | | | INSULATION, Dash Panel |
| 5 | 04386474 | 2 | | | | | | | SILENCER, Wheelhouse, Quarter Inner Wheelhouse, Front (3 Inches thick X 4 Inches tall X 8 Inches long) |



GRAND CHEROKEE (ZJ)

SERIES LINE
L = LOWLINE T = JEEP - 2WD
J = JEEP - 4WD

BODY
74 = SPORT UTILITY 4-DR

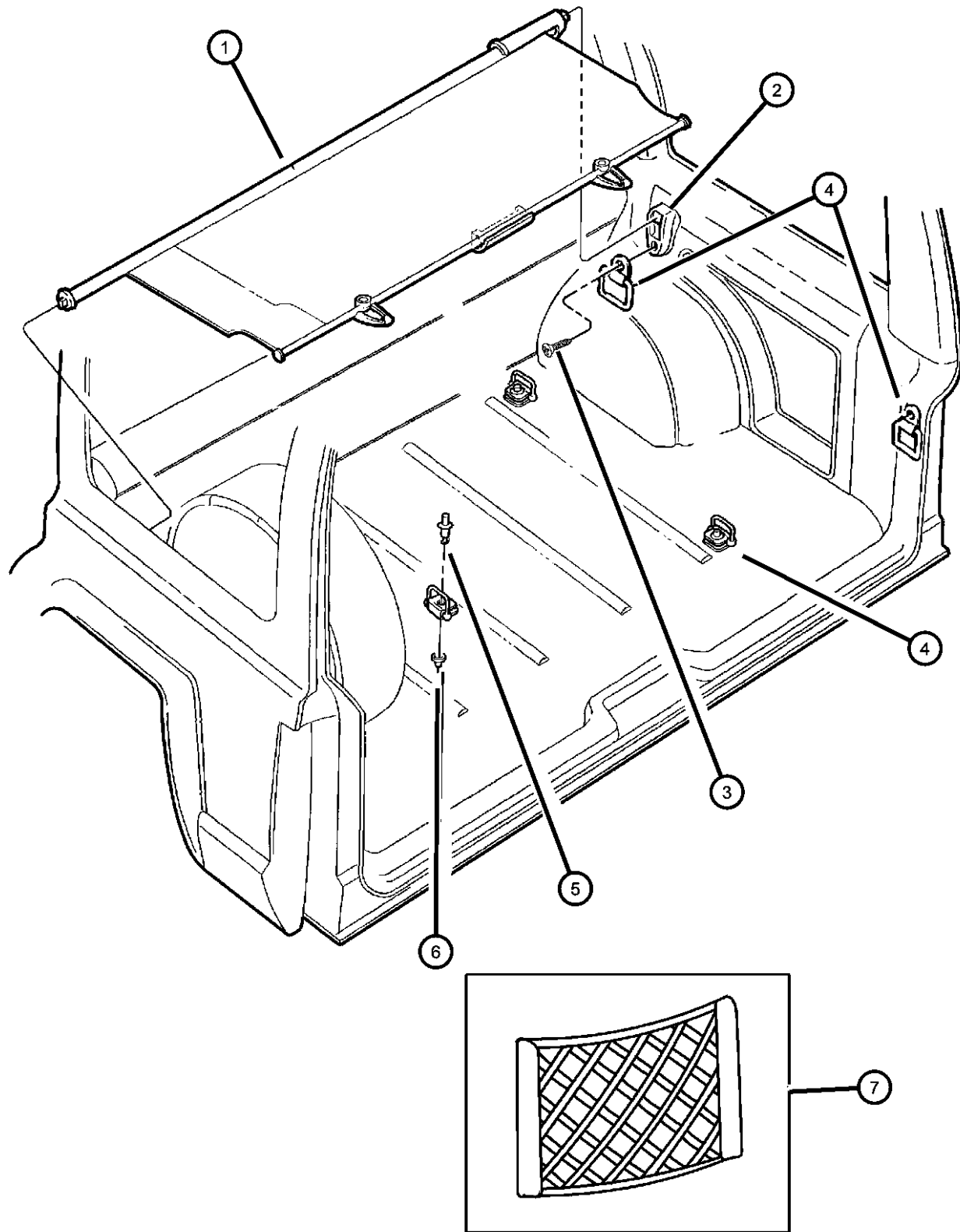
ENGINE
ELF = 5.2L V8 MPI Engine
EML = 5.9L V8 MPI Engine
ERH = 4.0L Power Tech I-6 Engine

TRANSMISSION
DGK = 4-Spd. Automatic 42RE Transmission
DGW = 4-Spd. Automatic 4RE Transmission
DG0 = Transmissions - All Automatic

AR = use ase required - = Non illustrated part

1997 ZJ

**Cargo Cover And Cargo Loops
Figure IZJ-330**



| ITEM | PART NUMBER | QTY | LINE | SERIES | BODY | ENGINE | TRANS | TRIM | DESCRIPTION |
|------|-------------|-----|------|--------|------|--------|-------|------|-------------|
|------|-------------|-----|------|--------|------|--------|-------|------|-------------|

Sales Code [TBG] = Compact Spare
Sales Code [TBB] = Full Size Spare

| | | | | | | | | | |
|---|----------|---|--|--|--|--|--|-----|---|
| 1 | | | | | | | | | COVER, Cargo Compartment |
| | 5FJ16LAZ | 1 | | | | | | *O0 | [AZ], Sales Code [TBG], Compact Spare |
| | 5FJ16RC3 | 1 | | | | | | *O0 | [C3], Sales Code [TBG], Compact Spare |
| | 5FJ16RT6 | 1 | | | | | | *O0 | [T6], Sales Code [TBG], Compact Spare |
| | 5FJ17LAZ | 1 | | | | | | *O0 | [AZ], Sales Code [TBB], Full Size Spare |
| | 5FJ17RC3 | 1 | | | | | | *O0 | [C3], Sales Code [TBB], Full Size Spare |
| | 5FJ17RT6 | 1 | | | | | | *O0 | [T6, TJ], Sales Code [TBB], Full Size Spare |
| 2 | 5FJ17RT6 | 1 | | | | | | | BRACKET, Serviced only in Quarter Trim Panel, (NOT SERVICED), |
| 3 | 5FJ17RT6 | 1 | | | | | | | SCREW, #8-18x1.625, (NOT SERVICED) |
| 4 | 55215609 | 4 | | | | | | | LOOP, Cargo Tie Down |
| 5 | 06035122 | 4 | | | | | | | RIVET, .187x.70 Black, Cargo Loop Mounting, Black |
| 6 | 34202365 | 4 | | | | | | | WASHER, Cargo Loop Mounting |
| 7 | 55216830 | 1 | | | | | | | NET, Cargo |

GRAND CHEROKEE (ZJ)

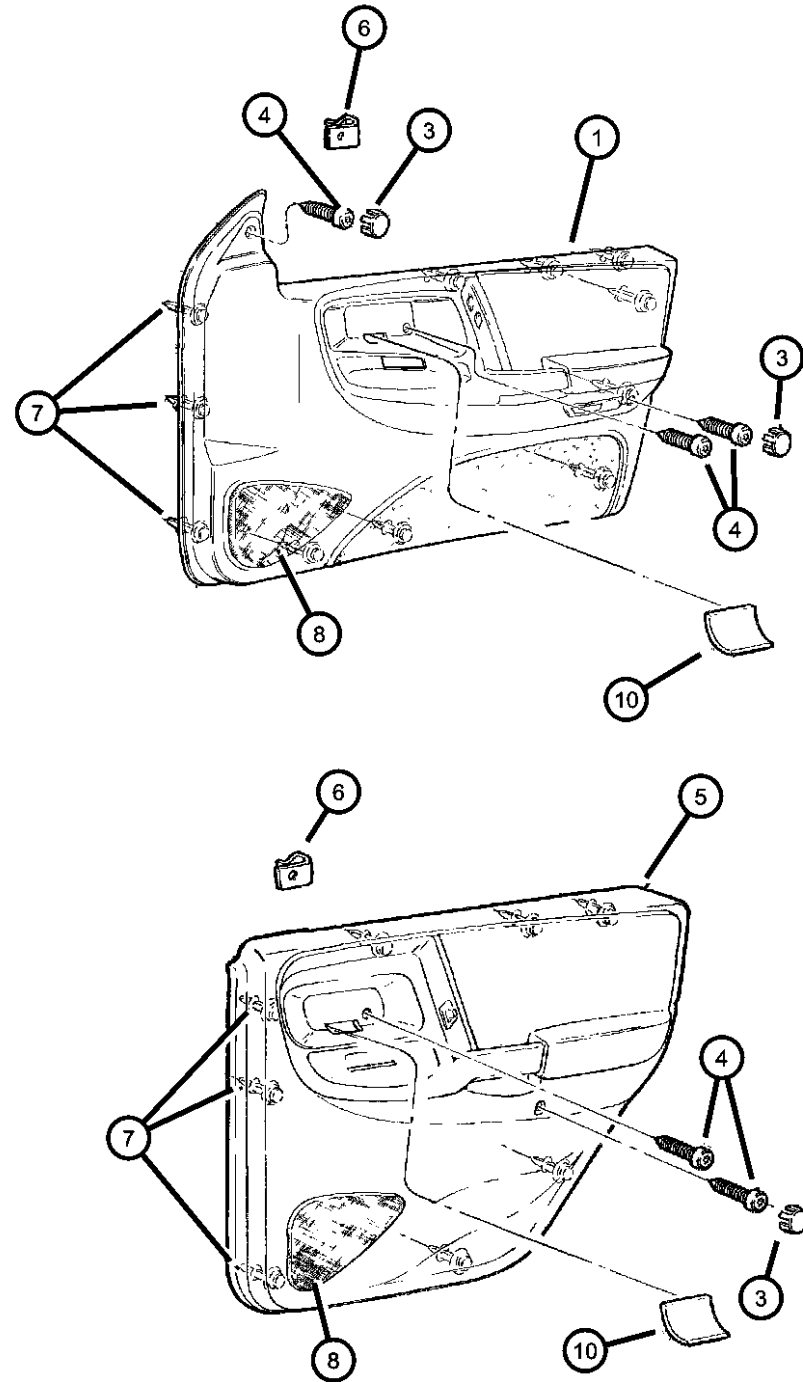
| SERIES | LINE | BODY | ENGINE | TRANSMISSION |
|-------------|----------------------------------|-------------------------|--|--|
| L = LOWLINE | T = JEEP - 2WD J = JEEP - 4WD | 74 = SPORT UTILITY 4-DR | ELF = 5.2L V8 MPI Engine EML = 5.9L V8 MPI Engine ERH = 4.0L Power Tech I-6 Engine | DGK = 4-Spd. Automatic 42RE Transmission DGW = 4-Spd. Automatic 4RE Transmission DG0 = Transmissions - All Automatic |

AR = use ase required - = Non illustrated part

1997 ZJ

**Panels, Door Trim
Figure IZJ-410**

| ITEM | PART NUMBER | QTY | LINE | SERIES | BODY | ENGINE | TRANS | TRIM | DESCRIPTION |
|------|-------------|-----|------|--------|------|--------|-------|------|-------------|
|------|-------------|-----|------|--------|------|--------|-------|------|-------------|



NOTE:

The LIMITED door trim panel is serviced without the Lamp. See group 8 for lamp.

The LAREDO door trim panel is serviced without the reflector.

Switch Bezel Comes With Door Panel

For switches and lamps. See group 8.

Sales Codes :

[ARP] = Limited Decor Group

[ADW] = Orvis Decor Group

[AFM] = [TSI] Decor Group

[ARV] = Plus Decor Group

[ARN] = Laredo Decore Group

[RCD] = 4 Speakers

[RCG] = 8 Speakers Infinity

1

PANEL, Front Door Trim

| | | | |
|------------|---|-----|---|
| 0QX62SAZAA | 1 | *F5 | [AZ], Sales Code [ARN, RCG], Right |
| | 1 | *EL | [AZ], Sales Code [ARN, RCG], Right |
| 0QX62SC3AA | 1 | *F5 | [C3], Sales Code [ARN, RCG], Right |
| 0QX62ST6AA | 1 | *F5 | [T6], Sales Code [ARN, RCG], Right |
| | 1 | *EL | [T6], Sales Code [ARN, RCG], Right |
| 0QX63SAZAA | 1 | *F5 | [AZ], Sales Code [ARN, RCG], Left |
| | 1 | *EL | [AZ], Sales Code [ARN, RCG], Left |
| 0QX63SC3AA | 1 | *F5 | [C3], Sales Code [ARN, RCG], Left |
| 0QX63ST6AA | 1 | *F5 | [T6], Sales Code [ARN, RCG], Left |
| | 1 | *EL | [T6], Sales Code [ARN, RCG], Left |
| 0QX64SAZAA | 1 | *CL | [AZ], With Woodgrain, Sales Code [ARP], Right |
| 0QX64SC3AA | 1 | *CL | [C3], With Woodgrain, Sales Code [ARP], Right |
| 0QX64ST6AA | 1 | *CL | [T6], With Woodgrain, Sales Code [ARP], Right |
| 0QX65SAZAA | 1 | *CL | [AZ], With Woodgrain, Sales Code [ARP], Left |
| 0QX65SC3AA | 1 | *CL | [C3], With Woodgrain, Sales Code [ARP], Left |
| 0QX65ST6AA | 1 | *CL | [T6], With Woodgrain, Sales Code [ARP], Left |
| 0QX701TJAA | 1 | *O0 | [TJ], Sales Code [ADW], Right |

GRAND CHEROKEE (ZJ)

SERIES LINE
L = LOWLINE T = JEEP - 2WD
J = JEEP - 4WD

BODY
74 = SPORT UTILITY 4-DR

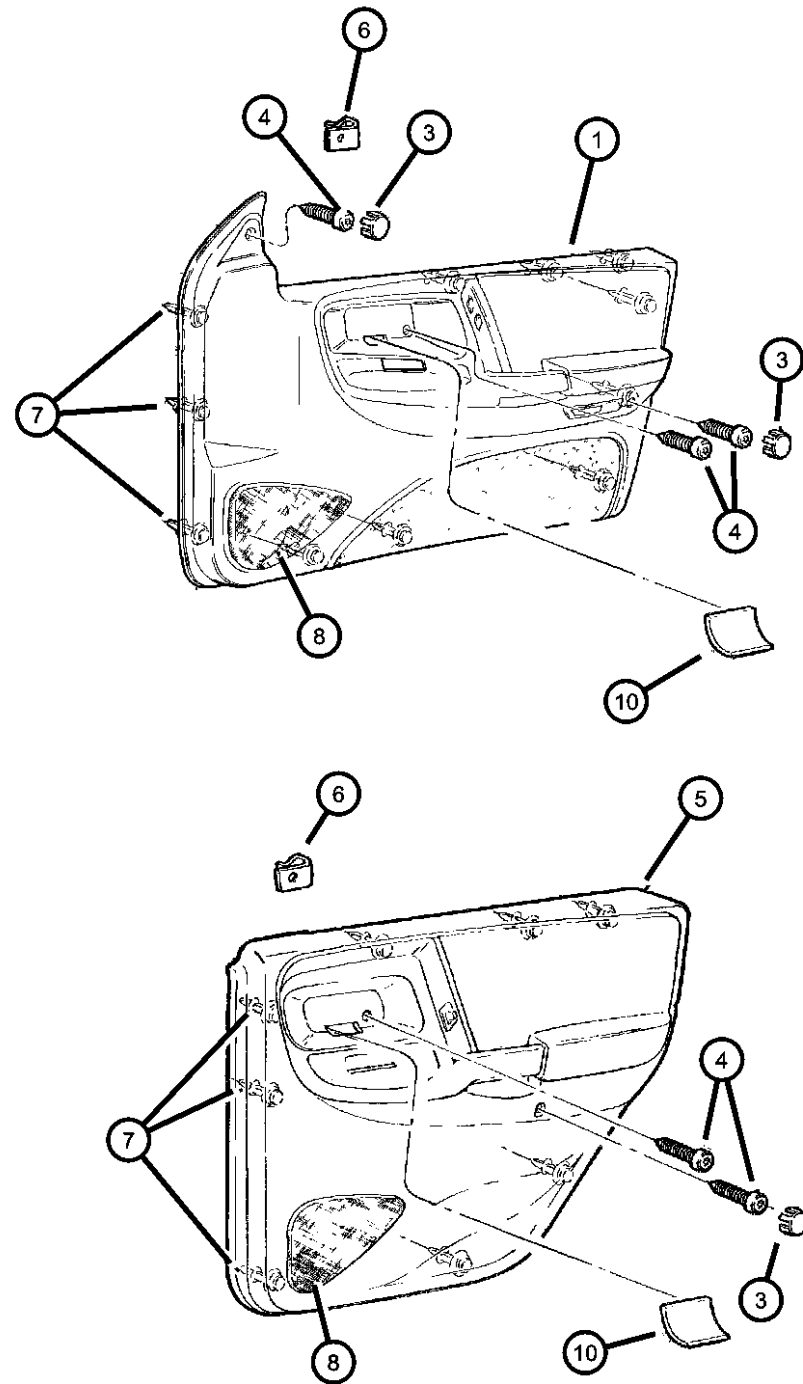
ENGINE
ELF = 5.2L V8 MPI Engine
EML = 5.9L V8 MPI Engine
ERH = 4.0L Power Tech I-6 Engine

TRANSMISSION
DGK = 4-Spd. Automatic 42RE Transmission
DGW = 4-Spd. Automatic 4RE Transmission
DG0 = Transmissions - All Automatic

AR = use ase required - = Non illustrated part

1997 ZJ

Panels, Door Trim
Figure IZJ-410



| ITEM | PART NUMBER | QTY | LINE | SERIES | BODY | ENGINE | TRANS | TRIM | DESCRIPTION |
|------|-------------|-----|------|--------|------|--------|-------|------|--|
| | 0QX711TJAA | 1 | | | | | | *O0 | [TJ], Sales Code [ADW], Left |
| | 0QX761AZAA | 1 | | | | | | *ML | [AZ], Sales Code [ARV], Right |
| | 0QX771AZAA | 1 | | | | | | *ML | [AZ], Sales Code [ARV], Left |
| | 0QX781AZAA | 1 | | | | | | *FL | [AZ], Sales Code [AFM], Right |
| | 0QX791AZAA | 1 | | | | | | *FL | [AZ], Sales Code [AFM], Left |
| | 0QX98SAZAA | 1 | | | | | | *F5 | [AZ], Sales Code [ARN, RCD], Right |
| | | 1 | | | | | | *EL | [AZ], Sales Code [ARN, RCD], Right |
| | 0QX98SC3AA | 1 | | | | | | *F5 | [C3], Sales Code [ARN, RCD], Right |
| | 0QX98ST6AA | 1 | | | | | | *F5 | [T6], Sales Code [ARN, RCD], Right |
| | | 1 | | | | | | *EL | [T6], Sales Code [ARN, RCD], Right |
| | 0QX99SAZAA | 1 | | | | | | *F5 | [AZ], Sales Code [ARN, RCD], Left |
| | | 1 | | | | | | *EL | [AZ], Sales Code [ARN, RCD], Left |
| | 0QX99SC3AA | 1 | | | | | | *F5 | [C3], Sales Code [ARN, RCD], Left |
| | 0QX99ST6AA | 1 | | | | | | *F5 | [T6], Sales Code [ARN, RCD], Left |
| | | 1 | | | | | | *EL | [T6], Sales Code [ARN, RCD], Left |
| -2 | | | | | | | | | REFLECTOR, Door Trim Panel |
| | 04798798 | 1 | | | | | | *F5 | Right |
| | | 1 | | | | | | *EL | Right |
| | 04798799 | 1 | | | | | | *F5 | Left |
| | | 1 | | | | | | *EL | Left |
| 3 | | | | | | | | | PLUG, Door Trim Panel |
| | 5EG40SAZ | 2 | | | | | | *O0 | [AZ] |
| | 5EG40SC3 | 2 | | | | | | *O0 | [C3] |
| | 5EG40ST6 | 2 | | | | | | *O0 | [TJ] |
| 4 | 06032723 | 2 | | | | | | | SCREW, Self Tapping, M4.2x1.69x19.05, .164-15x.750 |
| 5 | | | | | | | | | PANEL, Rear Door Trim |
| | 0QX86SAZAA | 1 | | | | | | *F5 | [AZ], Sales Code [ARN], Right |
| | | 1 | | | | | | *EL | [AZ], Sales Code [ARN], Right |
| | 0QX86SC3AA | 1 | | | | | | *F5 | [C3], Sales Code [ARN], Right |

GRAND CHEROKEE (ZJ)

SERIES LINE
L = LOWLINE T = JEEP - 2WD
J = JEEP - 4WD

BODY
74 = SPORT UTILITY 4-DR

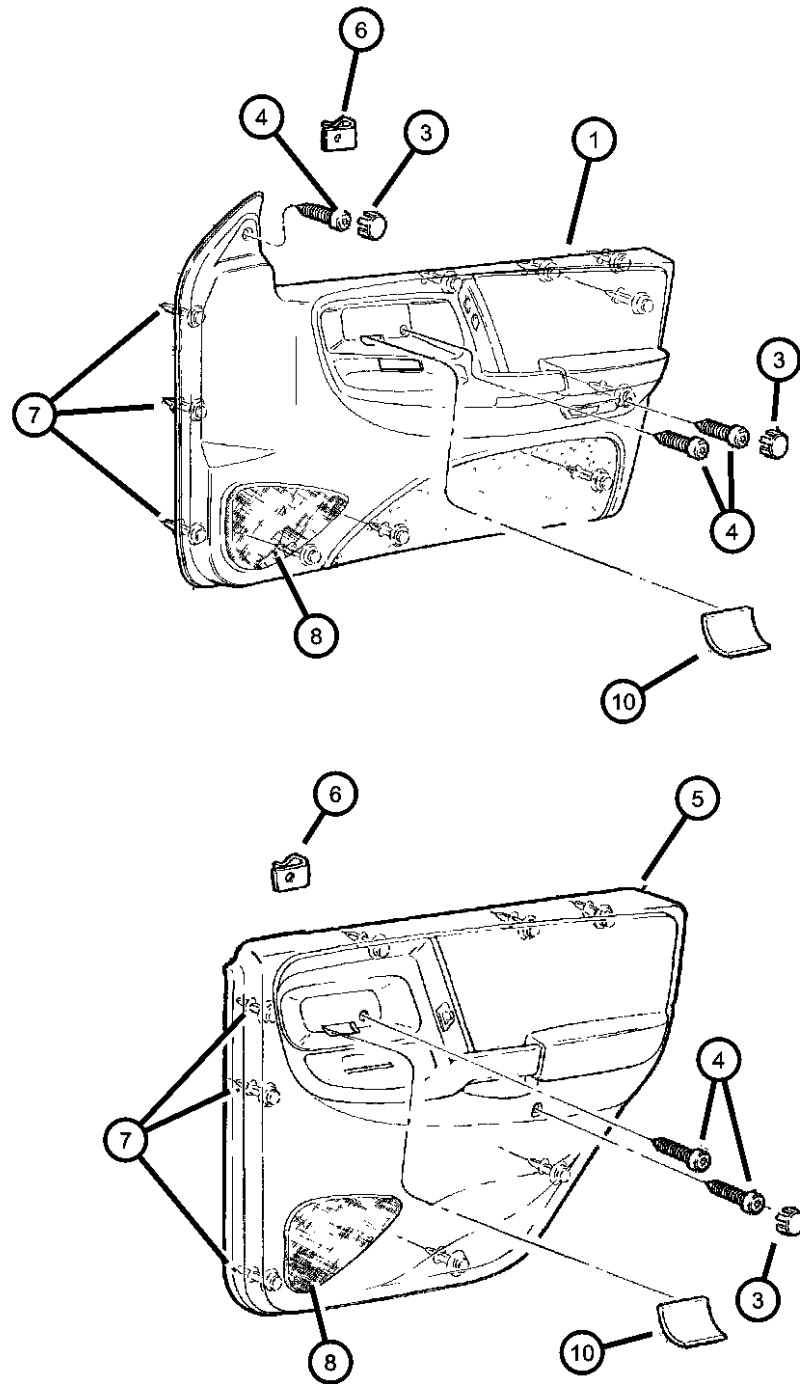
ENGINE
ELF = 5.2L V8 MPI Engine
EML = 5.9L V8 MPI Engine
ERH = 4.0L Power Tech I-6 Engine

TRANSMISSION
DGK = 4-Spd. Automatic 42RE Transmission
DGW = 4-Spd. Automatic 4RE Transmission
DG0 = Transmissions - All Automatic

AR = use ase required - = Non illustrated part

1997 ZJ

**Panels, Door Trim
Figure IZJ-410**



| ITEM | PART NUMBER | QTY | LINE | SERIES | BODY | ENGINE | TRANS | TRIM | DESCRIPTION |
|------|-------------|-----|------|--------|------|--------|-------|------|---|
| | 0QX86ST6AA | 1 | | | | | | *F5 | [T6], Sales Code [ARN], Right |
| | | 1 | | | | | | *EL | [T6], Sales Code [ARN], Right |
| | 0QX87SAZAA | 1 | | | | | | *F5 | [AZ], Sales Code [ARN], Left |
| | | 1 | | | | | | *EL | [AZ], Sales Code [ARN], Left |
| | 0QX87SC3AA | 1 | | | | | | *F5 | [C3], Sales Code [ARN], Left |
| | 0QX87ST6AA | 1 | | | | | | *F5 | [T6], Sales Code [ARN], Left |
| | | 1 | | | | | | *EL | [T6], Sales Code [ARN], Left |
| | 0QX88SAZAA | 1 | | | | | | *CL | [AZ], Sales Code [ARP], Right |
| | 0QX88SC3AA | 1 | | | | | | *CL | [C3], Sales Code [ARP], Right |
| | 0QX88ST6AA | 1 | | | | | | *CL | [T6], Sales Code [ARP], Right |
| | 0QX89SAZAA | 1 | | | | | | *CL | [AZ], Sales Code [ARP], Left |
| | 0QX89SC3AA | 1 | | | | | | *CL | [C3], Sales Code [ARP], Left |
| | 0QX89ST6AA | 1 | | | | | | *CL | [T6], Sales Code [ARP], Left |
| | 0QX90TJ4AA | 1 | | | | | | *O0 | [TJ], Sales Code [ADW], Right |
| | 0QX91TJ4AA | 1 | | | | | | *O0 | [TJ], Sales Code [ADW], Left |
| | 0QX94LAZAA | 1 | | | | | | *FL | [AZ], Sales Code [AFM], Right |
| | 0QX95LAZAA | 1 | | | | | | *FL | [AZ], Sales Code [AFM], Left |
| | 0QX961AZAA | 1 | | | | | | *ML | [AZ], Sales Code [ARV], Right |
| | 0QX971AZAA | 1 | | | | | | *ML | [AZ], Sales Code [ARV], Left |
| 6 | 06035638 | 1 | | | | | | | NUT/SPRING, "U"1THD, For .164-15 Screw, w/.164-15 Screw FASTENER, Door Trim Panel |
| 7 | 06504014 | 12 | | | | | | | GRILLE, Speaker |
| 8 | | | | | | | | | |
| | 0PH92SAZ | 1 | | | | | | *F5 | [AZ], Sales Code [RCG], Right |
| | | 1 | | | | | | *EL | [AZ], Sales Code [RCG], Right |
| | | 1 | | | | | | *CL | [AZ], Sales Code [RCG], Right |
| | | 1 | | | | | | *FL | [AZ], Sales Code [RCG], Right |
| | 0PH92SC3 | 1 | | | | | | *F5 | [C3], Sales Code [RCG], Right |
| | | 1 | | | | | | *CL | [C3], Sales Code [RCG], Right |
| | 0PH92ST6 | 1 | | | | | | *F5 | [T6], Sales Code [RCG], Right |
| | | 1 | | | | | | *EL | [T6], Sales Code [RCG], Right |
| | | 1 | | | | | | *CL | [T6], Sales Code [RCG], Right |
| | 0PH93SAZ | 1 | | | | | | *F5 | [AZ], Sales Code [RCG], Left |
| | | 1 | | | | | | *EL | [AZ], Sales Code [RCG], Left |

GRAND CHEROKEE (ZJ)

SERIES LINE
L = LOWLINE T = JEEP - 2WD
 J = JEEP - 4WD

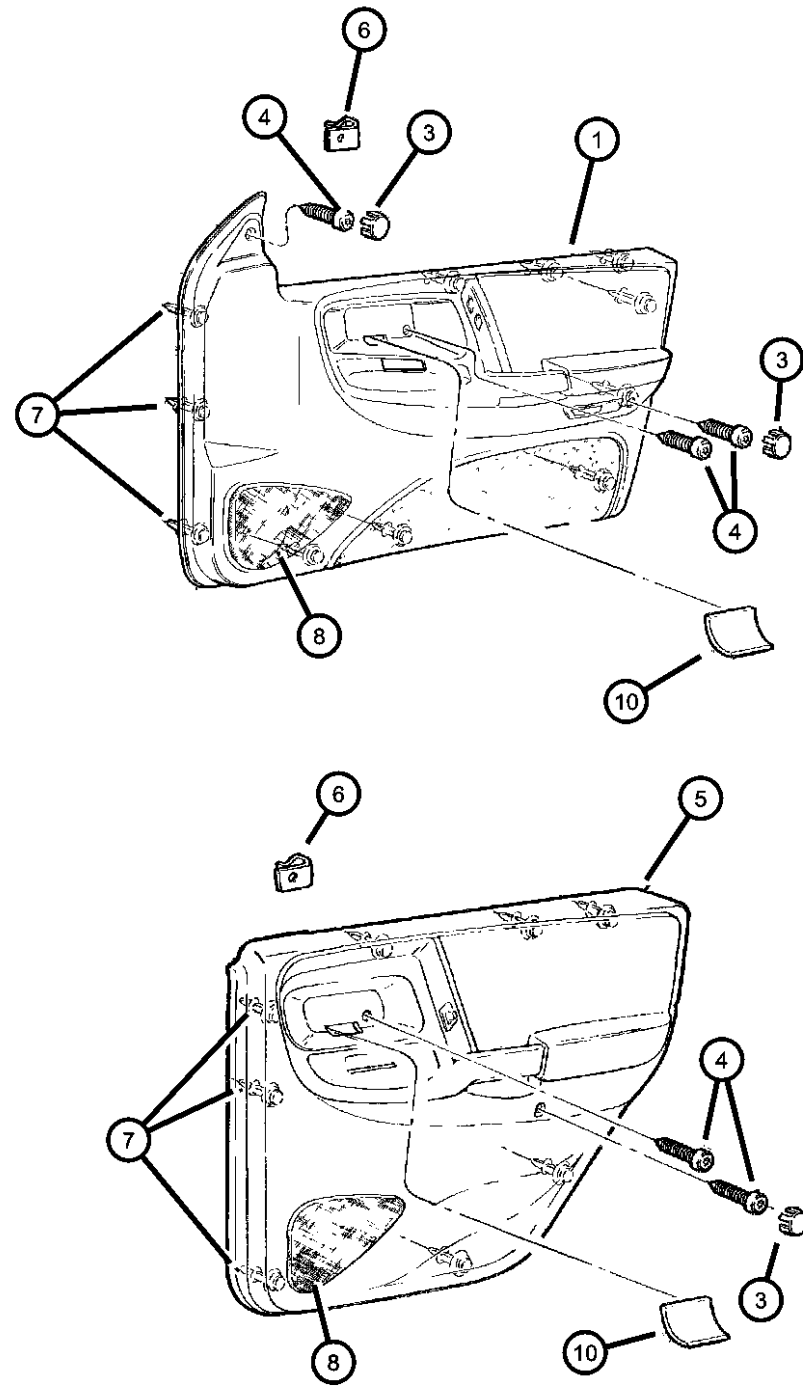
BODY
74 = SPORT UTILITY 4-DR

ENGINE
ELF = 5.2L V8 MPI Engine
EML = 5.9L V8 MPI Engine
ERH = 4.0L Power Tech I-6 Engine

TRANSMISSION
DGK = 4-Spd. Automatic 42RE Transmission
DGW = 4-Spd. Automatic 4RE Transmission
DG0 = Transmissions - All Automatic

AR = use ase required - = Non illustrated part

Panels, Door Trim
Figure IZJ-410



| ITEM | PART NUMBER | QTY | LINE | SERIES | BODY | ENGINE | TRANS | TRIM | DESCRIPTION |
|------|-------------|-----|------|--------|------|--------|-------|------|---|
| | | 1 | | | | | | *CL | [AZ], Sales Code [RCG], Left |
| | | 1 | | | | | | *FL | [AZ], Sales Code [RCG], Left |
| | 0PH93SC3 | 1 | | | | | | *F5 | [C3], Sales Code [RCG], Left |
| | | 1 | | | | | | *CL | [C3], Sales Code [RCG], Left |
| | 0PH93ST6 | 1 | | | | | | *F5 | [T6], Sales Code [RCG], Left |
| | | 1 | | | | | | *EL | [T6], Sales Code [RCG], Left |
| | | 1 | | | | | | *CL | [T6], Sales Code [RCG], Left |
| | 0PH94SAZ | 1 | | | | | | *F5 | [AZ], Sales Code [RCD], Right |
| | | 1 | | | | | | *EL | [AZ], Sales Code [RCD], Right |
| | 0PH94SC3 | 1 | | | | | | *F5 | [C3], Sales Code [RCD], Right |
| | 0PH94ST6 | 1 | | | | | | *F5 | [T6], Sales Code [RCD], Right |
| | | 1 | | | | | | *EL | [T6], Sales Code [RCD], Right |
| | | 1 | | | | | | *ML | [AZ], Sales Code [RCG], Right |
| | | 1 | | | | | | *ML | [AZ], Sales Code [RCG], Left |
| | 0PH95SAZ | 1 | | | | | | *F5 | [AZ], Sales Code [RCD], Left |
| | | 1 | | | | | | *EL | [AZ], Sales Code [RCD], Left |
| | 0PH95SC3 | 1 | | | | | | *F5 | [C3], Sales Code [RCD], Left |
| | 0PH95ST6 | 1 | | | | | | *F5 | [T6], Sales Code [RCD], Left |
| | | 1 | | | | | | *EL | [T6], Sales Code [RCD], Left |
| -9 | 55216704 | 1 | | | | | | | NAMEPLATE, Speaker Grille, Infinity Gold |
| 10 | | | | | | | | | PLUG, Trim Screw Cover |
| | 5EH94SAZ | 1 | | | | | | *O0 | [AZ], Right |
| | 5EH94ST6 | 1 | | | | | | *O0 | [TJ], Right |
| | 5EH95SAZ | 1 | | | | | | *O0 | [AZ], Left |
| | 5EH95ST6 | 1 | | | | | | *O0 | [TJ], Left |

GRAND CHEROKEE (ZJ)

SERIES LINE
L = LOWLINE T = JEEP - 2WD
J = JEEP - 4WD

BODY
74 = SPORT UTILITY 4-DR

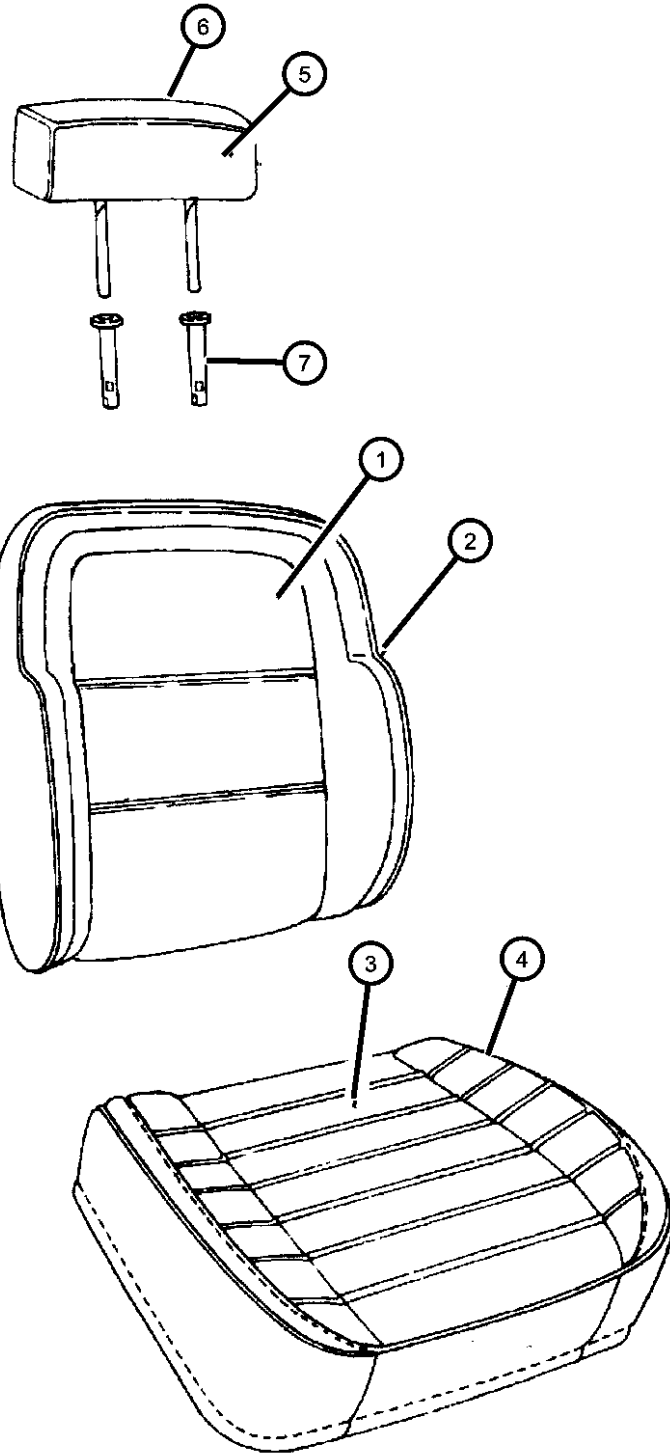
ENGINE
ELF = 5.2L V8 MPI Engine
EML = 5.9L V8 MPI Engine
ERH = 4.0L Power Tech I-6 Engine

TRANSMISSION
DGK = 4-Spd. Automatic 42RE Transmission
DGW = 4-Spd. Automatic 4RE Transmission
DG0 = Transmissions - All Automatic

AR = use ase required - = Non illustrated part

1997 ZJ

Front Seat, Trim Code [CL]
Figure IZJ-510



| ITEM | PART NUMBER | QTY | LINE | SERIES | BODY | ENGINE | TRANS | TRIM | DESCRIPTION |
|------|-------------|-----|------|--------|------|--------|-------|------|-------------------------------------|
| 1 | | | | | | | | | COVER, Front Seat Back |
| | 0PM38SAZ | 2 | | | | | | *CL | [AZ], Heated, Up to 10-27-96 |
| | 0PM38SC3 | 2 | | | | | | *CL | [C3], Heated, Up to 10-27-96 |
| | 0PM38ST6 | 2 | | | | | | *CL | [T6], Heated, Up to 10-27-96 |
| | 0PM48SAZ | 2 | | | | | | *CL | [AZ] |
| | 0PM48SC3 | 2 | | | | | | *CL | [C3] |
| | 0PM48ST6 | 2 | | | | | | *CL | [T6] |
| | 0RA74SAZAA | 2 | | | | | | *CL | [AZ], Heated, After 10-27-96 |
| | 0RA74SC3AA | 2 | | | | | | *CL | [C3], Heated, After 10-27-96 |
| | 0RA74ST6AA | 2 | | | | | | *CL | [T6], Heated, After 10-27-96 |
| 2 | | | | | | | | | BACK, Front Seat |
| | 0PM94SAZ | 1 | | | | | | *CL | [AZ], Right |
| | 0PM94SC3 | 1 | | | | | | *CL | [C3], Right |
| | 0PM94ST6 | 1 | | | | | | *CL | [T6], Right |
| | 0PM95SAZ | 1 | | | | | | *CL | [AZ], Left |
| | 0PM95SC3 | 1 | | | | | | *CL | [C3], Left |
| | 0PM95ST6 | 1 | | | | | | *CL | [T6], Left |
| | 0PN00SAZ | 1 | | | | | | *CL | [AZ], Heated, Up to 10-27-96, Right |
| | 0PN00SC3 | 1 | | | | | | *CL | [C3], Heated, Up to 10-27-96, Right |
| | 0PN00ST6 | 1 | | | | | | *CL | [T6], Heated, Up to 10-27-96, Right |
| | 0PN01SAZ | 1 | | | | | | *CL | [AZ], Heated, Up to 10-27-96, Left |
| | 0PN01SC3 | 1 | | | | | | *CL | [C3], Heated, Up to 10-27-96, Left |
| | 0PN01ST6 | 1 | | | | | | *CL | [T6], Heated, Up to 10-27-96, Left |
| | 0RA84SAZAA | 1 | | | | | | *CL | [AZ], Heated, After 10-27-96, Right |
| | 0RA84SC3AA | 1 | | | | | | *CL | [C3], Heated, After 10-27-96, Right |
| | 0RA84ST6AA | 1 | | | | | | *CL | [T6], Heated, After 10-27-96, Right |
| | 0RA85SAZAA | 1 | | | | | | *CL | [AZ], Heated, After 10-27-96, Left |
| | 0RA85SC3AA | 1 | | | | | | *CL | [C3], Heated, After 10-27-96, Left |
| | 0RA85ST6AA | 1 | | | | | | *CL | [T6], Heated, After 10-27-96, Left |
| 3 | | | | | | | | | COVER AND PAD, Cushion |

GRAND CHEROKEE (ZJ)

SERIES LINE
L = LOWLINE T = JEEP - 2WD
J = JEEP - 4WD

BODY
74 = SPORT UTILITY 4-DR

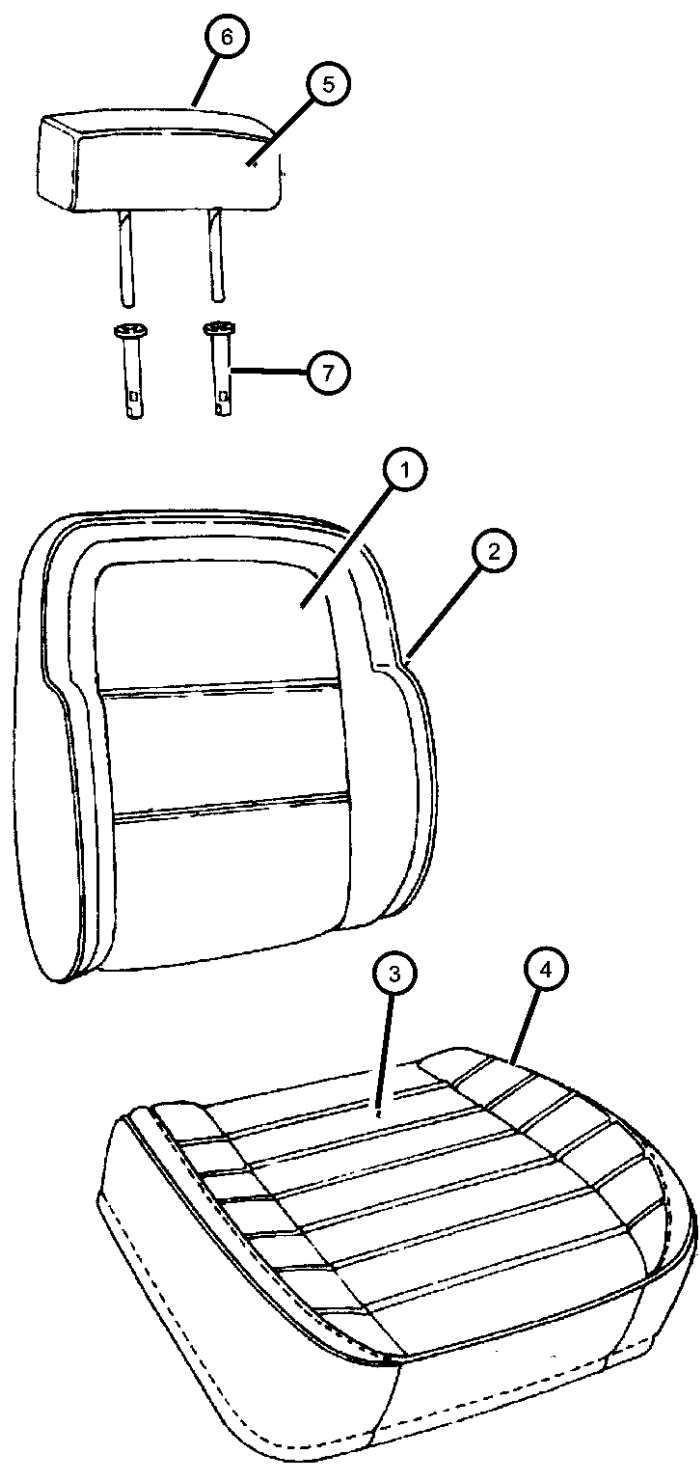
ENGINE
ELF = 5.2L V8 MPI Engine
EML = 5.9L V8 MPI Engine
ERH = 4.0L Power Tech I-6 Engine

TRANSMISSION
DGK = 4-Spd. Automatic 42RE Transmission
DGW = 4-Spd. Automatic 4RE Transmission
DG0 = Transmissions - All Automatic

AR = use ase required - = Non illustrated part

1997 ZJ

Front Seat, Trim Code [CL]
Figure IZJ-510



| ITEM | PART NUMBER | QTY | LINE | SERIES | BODY | ENGINE | TRANS | TRIM | DESCRIPTION |
|------|-------------|-----|------|--------|------|--------|-------|------|-------------------------------------|
| | 0PN04SAZ | 1 | | | | | | *CL | [AZ], Right |
| | 0PN04SC3 | 1 | | | | | | *CL | [C3], Right |
| | 0PN04ST6 | 1 | | | | | | *CL | [T6], Right |
| | 0PN05SAZ | 1 | | | | | | *CL | [AZ], Left |
| | 0PN05SC3 | 1 | | | | | | *CL | [C3], Left |
| | 0PN05ST6 | 1 | | | | | | *CL | [T6], Left |
| | 0PN08SAZ | 1 | | | | | | *CL | [AZ], Heated, Up to 10-27-96, Right |
| | 0PN08SC3 | 1 | | | | | | *CL | [C3], Heated, Up to 10-27-96, Right |
| | 0PN08ST6 | 1 | | | | | | *CL | [T6], Heated, Up to 10-27-96, Right |
| | 0PN09SAZ | 1 | | | | | | *CL | [AZ], Heated, Up to 10-27-96, Left |
| | 0PN09SC3 | 1 | | | | | | *CL | [C3], Heated, Up to 10-27-96, Left |
| | 0PN09ST6 | 1 | | | | | | *CL | [T6], Heated, Up to 10-27-96, Left |
| | 0RA96SAZAA | 1 | | | | | | *CL | [AZ], Heated, After 10-27-96, Right |
| | 0RA96SC3AA | 1 | | | | | | *CL | [C3], Heated, After 10-27-96, Right |
| | 0RA96ST6AA | 1 | | | | | | *CL | [T6], Heated, After 10-27-96, Right |
| | 0RA97SAZAA | 1 | | | | | | *CL | [AZ], Heated, After 10-27-96, Left |
| | 0RA97SC3AA | 1 | | | | | | *CL | [C3], Heated, After 10-27-96, Left |
| | 0RA97ST6AA | 1 | | | | | | *CL | [T6], Heated, After 10-27-96, Left |
| 4 | | | | | | | | | FRAME, Front Seat |
| | 04856470 | 1 | | | | | | *CL | Right |
| | 04856471 | 1 | | | | | | *CL | Left |
| 5 | | | | | | | | | COVER, Seat Headrest |
| | 0PM50SAZ | 4 | | | | | | *CL | [AZ] |
| | 0PM50SC3 | 4 | | | | | | *CL | [C3] |
| | 0PM50ST6 | 4 | | | | | | *CL | [T6] |
| 6 | | | | | | | | | HEADREST |
| | 0PM90SAZ | 4 | | | | | | *CL | [AZ] |
| | 0PM90SC3 | 4 | | | | | | *CL | [C3] |
| | 0PM90ST6 | 4 | | | | | | *CL | [T6] |

GRAND CHEROKEE (ZJ)

SERIES LINE
L = LOWLINE T = JEEP - 2WD
J = JEEP - 4WD

BODY
74 = SPORT UTILITY 4-DR

ENGINE
ELF = 5.2L V8 MPI Engine
EML = 5.9L V8 MPI Engine
ERH = 4.0L Power Tech I-6 Engine

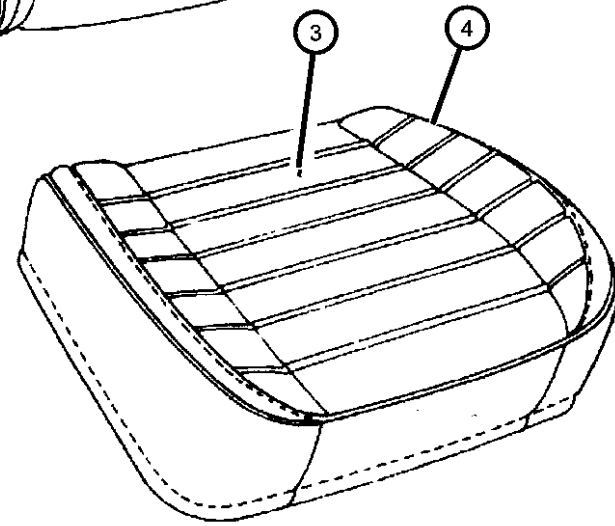
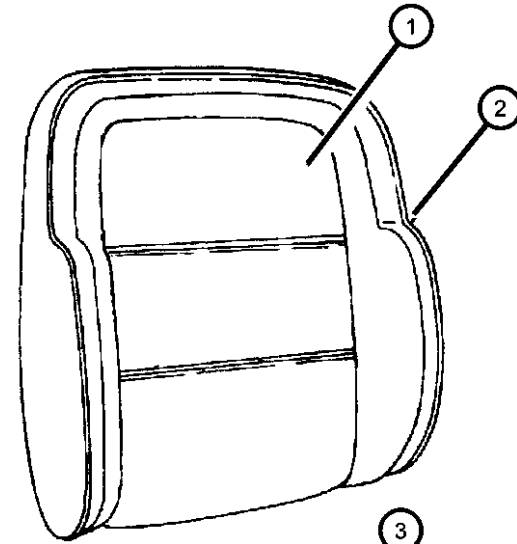
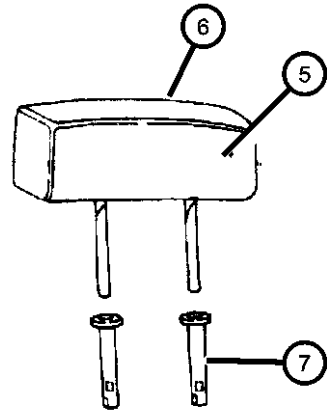
TRANSMISSION
DGK = 4-Spd. Automatic 42RE Transmission
DGW = 4-Spd. Automatic 4RE Transmission
DG0 = Transmissions - All Automatic

AR = use ase required - = Non illustrated part

1997 ZJ

Front Seat, Trim Code [CL]
Figure IZJ-510

| ITEM | PART NUMBER | QTY | LINE | SERIES | BODY | ENGINE | TRANS | TRIM | DESCRIPTION |
|------|-------------|-----|------|--------|------|--------|-------|------|-------------|
|------|-------------|-----|------|--------|------|--------|-------|------|-------------|



| | | | | | | | | | |
|----|------------|---|--|--|--|--|--|--|--|
| 7 | 04723834 | 8 | | | | | | | |
| -8 | 05015478AA | 1 | | | | | | | |

*CL CYLINDER, Headrest, With Latch
*CL REPAIR KIT, Heated Seat

GRAND CHEROKEE (ZJ)

SERIES LINE
L = LOWLINE T = JEEP - 2WD
J = JEEP - 4WD

BODY
74 = SPORT UTILITY 4-DR

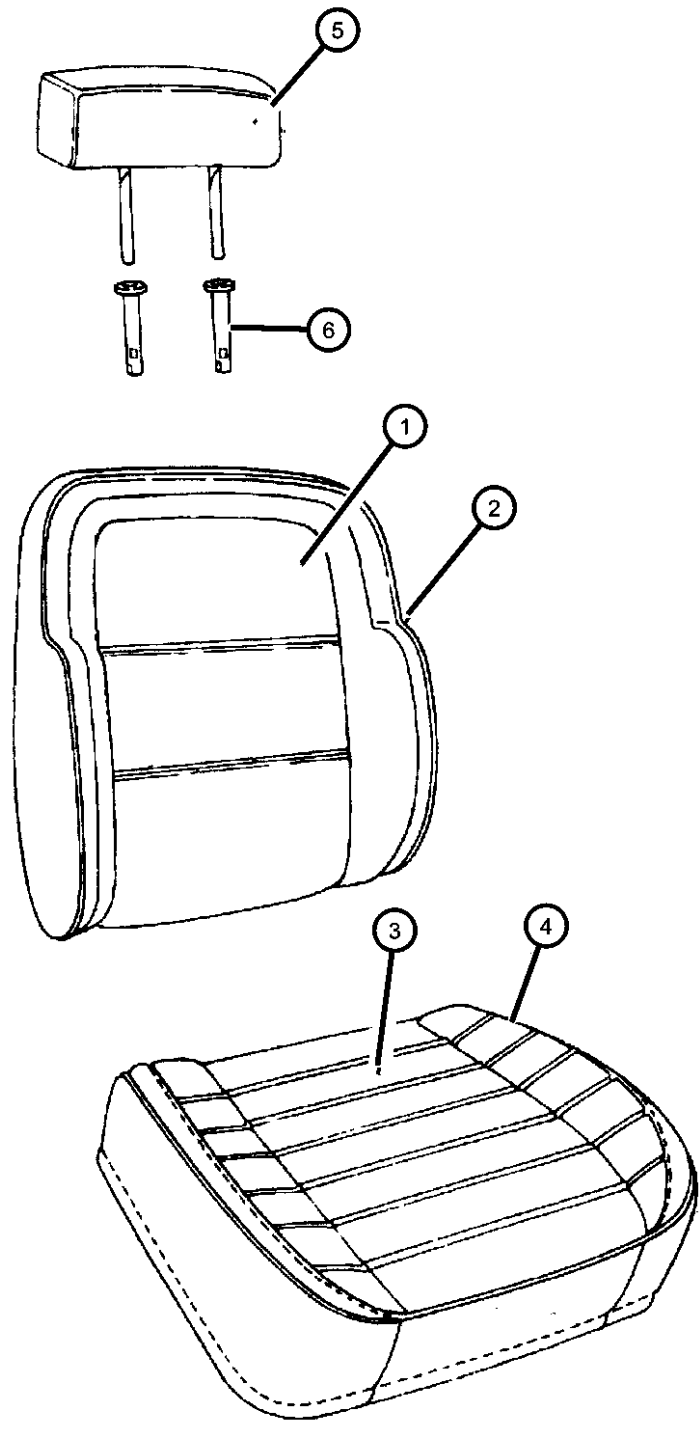
ENGINE
ELF = 5.2L V8 MPI Engine
EML = 5.9L V8 MPI Engine
ERH = 4.0L Power Tech I-6 Engine

TRANSMISSION
DGK = 4-Spd. Automatic 42RE Transmission
DGW = 4-Spd. Automatic 4RE Transmission
DG0 = Transmissions - All Automatic

AR = use ase required - = Non illustrated part

1997 ZJ

**Front Seat, Trim Code [EL]
Figure IZJ-520**



| ITEM | PART NUMBER | QTY | LINE | SERIES | BODY | ENGINE | TRANS | TRIM | DESCRIPTION |
|------|-------------|-----|------|--------|------|--------|-------|------|-------------|
|------|-------------|-----|------|--------|------|--------|-------|------|-------------|

Note : For the [EL] trim code only, heater elements are serviced as separate part numbers. See Item number 8 for part numbers.

| | | | | | | | | | |
|----|------------|---|--|--|--|--|--|-----------------|--------------------------------|
| 1 | 0PM49SAZ | 2 | | | | | | *EL [AZ] | COVER, Front Seat Back |
| | 0PM49ST6 | 2 | | | | | | *EL [T6] | |
| 2 | 0PM96SAZ | 1 | | | | | | *EL [AZ], Right | BACK, Front Seat |
| | 0PM96ST6 | 1 | | | | | | *EL [T6], Right | |
| | 0PM97SAZ | 1 | | | | | | *EL [AZ], Left | |
| | 0PM97ST6 | 1 | | | | | | *EL [T6], Left | |
| 3 | 0PN12SAZ | 1 | | | | | | *EL [AZ], Right | COVER AND PAD, Cushion |
| | 0PN12ST6 | 1 | | | | | | *EL [T6], Right | |
| | 0PN13SAZ | 1 | | | | | | *EL [AZ], Left | |
| | 0PN13ST6 | 1 | | | | | | *EL [T6], Left | |
| 4 | 04856470 | 1 | | | | | | *EL Right | FRAME, Front Seat |
| | 04856471 | 1 | | | | | | *EL Left | |
| 5 | 0PN14SAZ | 1 | | | | | | *EL [AZ] | HEADREST |
| | 0PN14ST6 | 4 | | | | | | *EL [T6] | |
| 6 | 04723834 | 8 | | | | | | *CL | CYLINDER, Headrest, With Latch |
| -7 | 05015478AA | 1 | | | | | | *EL | REPAIR KIT, Heated Seat |
| -8 | 04897932AA | 2 | | | | | | *EL | PAD, Heater |
| | 04897933AA | 2 | | | | | | *EL | Cushion |
| | | | | | | | | *EL | Seat Back |

GRAND CHEROKEE (ZJ)

SERIES LINE
L = LOWLINE T = JEEP - 2WD
 J = JEEP - 4WD

BODY
74 = SPORT UTILITY 4-DR

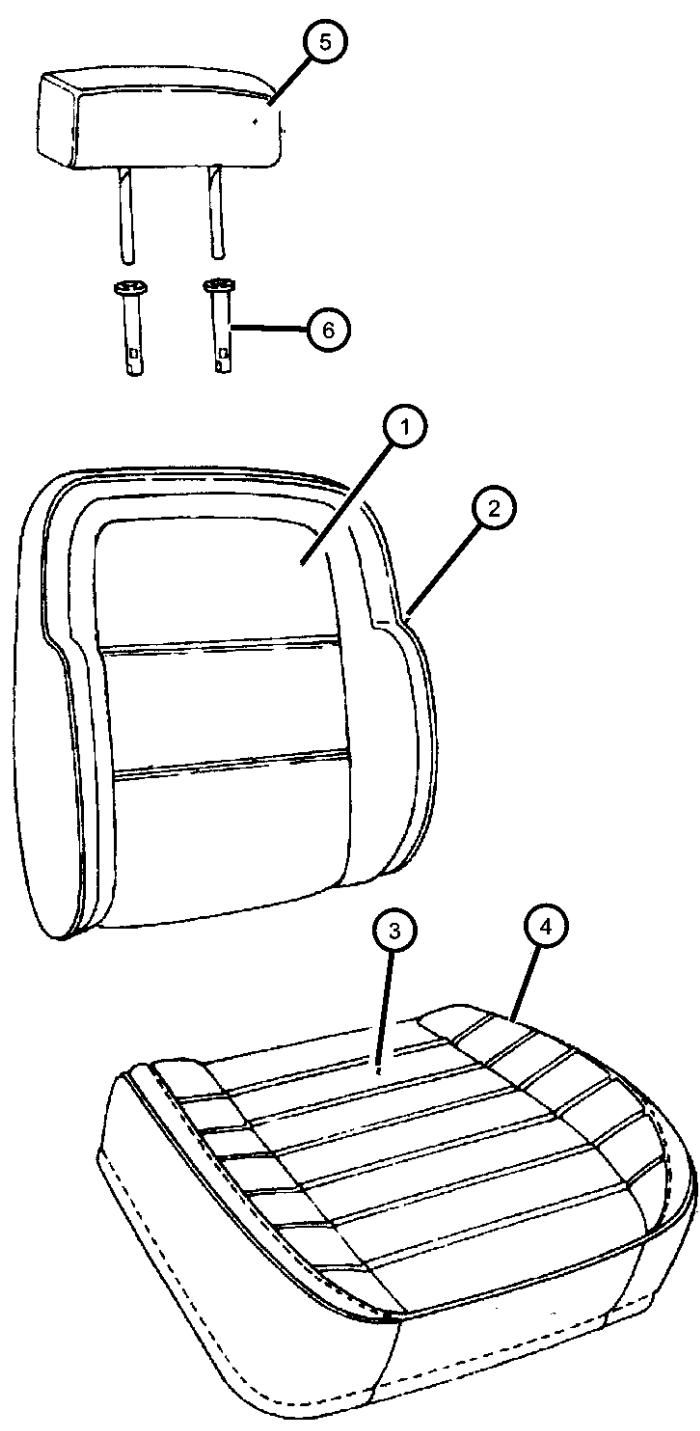
ENGINE
ELF = 5.2L V8 MPI Engine
EML = 5.9L V8 MPI Engine
ERH = 4.0L Power Tech I-6 Engine

TRANSMISSION
DGK = 4-Spd. Automatic 42RE Transmission
DGW = 4-Spd. Automatic 4RE Transmission
DG0 = Transmissions - All Automatic

AR = use ase required - = Non illustrated part

1997 ZJ

Front Seat, Trim Code [F5]
Figure IZJ-530



| ITEM | PART NUMBER | QTY | LINE | SERIES | BODY | ENGINE | TRANS | TRIM | DESCRIPTION |
|------|-------------|-----|------|--------|------|--------|-------|-------|--------------------------|
| 1 | 0PM45SAZ | 2 | | | | | | *F5 | COVER, Front Seat Back |
| | 0PM45SC3 | 2 | | | | | | *F5 | [AZ], Manual Seat |
| | 0PM45ST6 | 2 | | | | | | *F5 | [C3], Manual Seat |
| | 0PM47SAZ | 2 | | | | | | *F5 | [T6], Manual Seat |
| | 0PM47SC3 | 2 | | | | | | *F5 | [AZ], Power Seat |
| | 0PM47ST6 | 2 | | | | | | *F5 | [C3], Power Seat |
| 2 | 0PM92SAZ | 1 | | | | | | *F5 | BACK, Front Seat |
| | 0PM92SC3 | 1 | | | | | | *F5 | [AZ], Right, Manual Seat |
| | 0PM92ST6 | 1 | | | | | | *F5 | [C3], Right, Manual Seat |
| | 0PM93SAZ | 1 | | | | | | *F5 | [T6], Right, Manual Seat |
| | 0PM93SC3 | 1 | | | | | | *F5 | [AZ], Left, Manual Seat |
| | 0PM93ST6 | 1 | | | | | | *F5 | [C3], Left, Manual Seat |
| | 0PM98SAZ | 1 | | | | | | *F5 | [T6], Left, Manual Seat |
| | 0PM98SC3 | 1 | | | | | | *F5 | [AZ], Right, Power Seat |
| | 0PM98ST6 | 1 | | | | | | *F5 | [C3], Right, Power Seat |
| | 0PM99SAZ | 1 | | | | | | *F5 | [T6], Right, Power Seat |
| | 0PM99SC3 | 1 | | | | | | *F5 | [AZ], Left, Power Seat |
| | 0PM99ST6 | 1 | | | | | | *F5 | [C3], Left, Power Seat |
| 3 | 0PN06SAZ | 1 | | | | | | *F5 | COVER AND PAD, Cushion |
| | 0PN06SC3 | 1 | | | | | | *F5 | [AZ], Right, Manual Seat |
| | 0PN06ST6 | 1 | | | | | | *F5 | [C3], Right, Manual Seat |
| | 0PN07SAZ | 1 | | | | | | *F5 | [T6], Right, Manual Seat |
| | 0PN07SC3 | 1 | | | | | | *F5 | [AZ], Left, Manual Seat |
| | 0PN07ST6 | 1 | | | | | | *F5 | [C3], Left, Manual Seat |
| | 0PR00SAZ | 1 | | | | | | *F5 | [T6], Left, Manual Seat |
| | 0PR00SC3 | 1 | | | | | | *F5 | [AZ], Right, Power Seat |
| | 0PR00ST6 | 1 | | | | | | *F5 | [C3], Right, Power Seat |
| | 0PR01SAZ | 1 | | | | | | *F5 | [T6], Right, Power Seat |
| | 0PR01SC3 | 1 | | | | | | *F5 | [AZ], Left, Power Seat |
| | 0PR01ST6 | 1 | | | | | | *F5 | [C3], Left, Power Seat |
| 4 | 04856470 | 1 | | | | | | *F5 | FRAME, Front Seat |
| | | | | | | | | Right | |

GRAND CHEROKEE (ZJ)

SERIES LINE
L = LOWLINE T = JEEP - 2WD
J = JEEP - 4WD

BODY
74 = SPORT UTILITY 4-DR

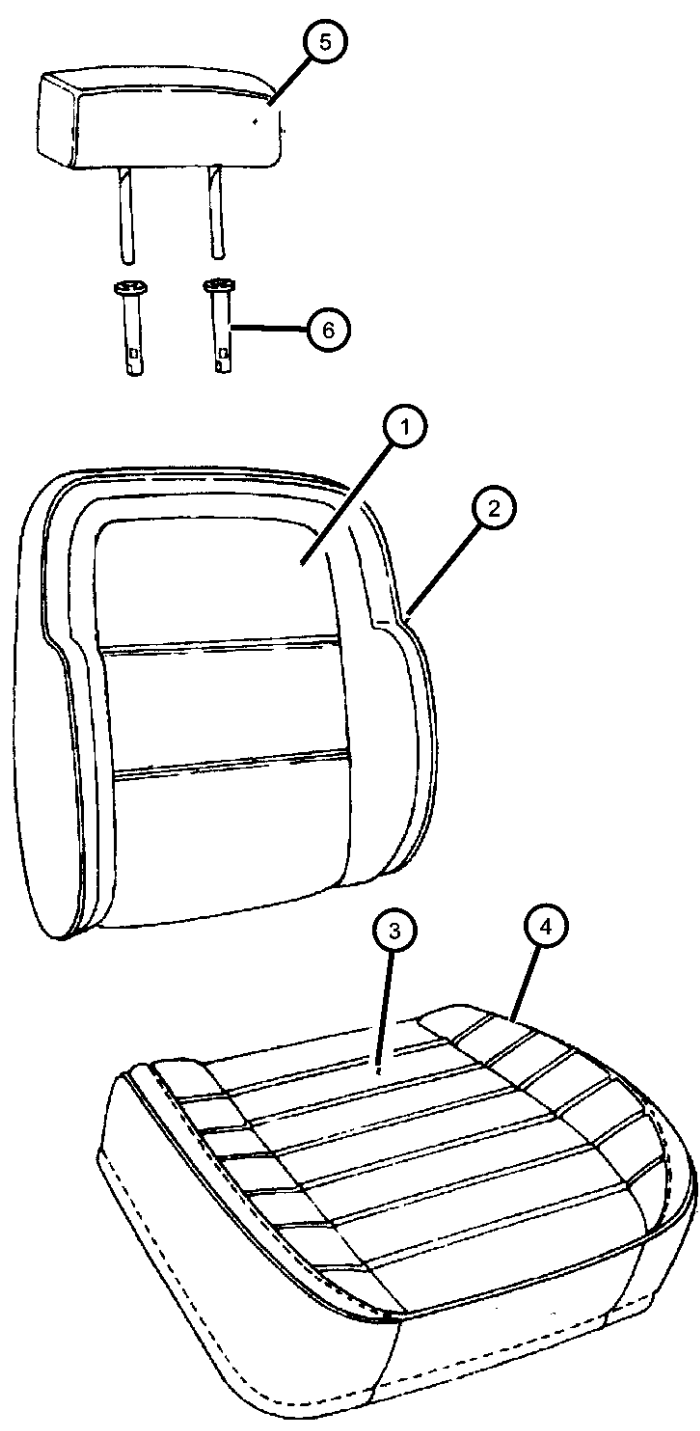
ENGINE
ELF = 5.2L V8 MPI Engine
EML = 5.9L V8 MPI Engine
ERH = 4.0L Power Tech I-6 Engine

TRANSMISSION
DGK = 4-Spd. Automatic 42RE Transmission
DGW = 4-Spd. Automatic 4RE Transmission
DG0 = Transmissions - All Automatic

AR = use ase required - = Non illustrated part

1997 ZJ

Front Seat, Trim Code [F5]
Figure IZJ-530



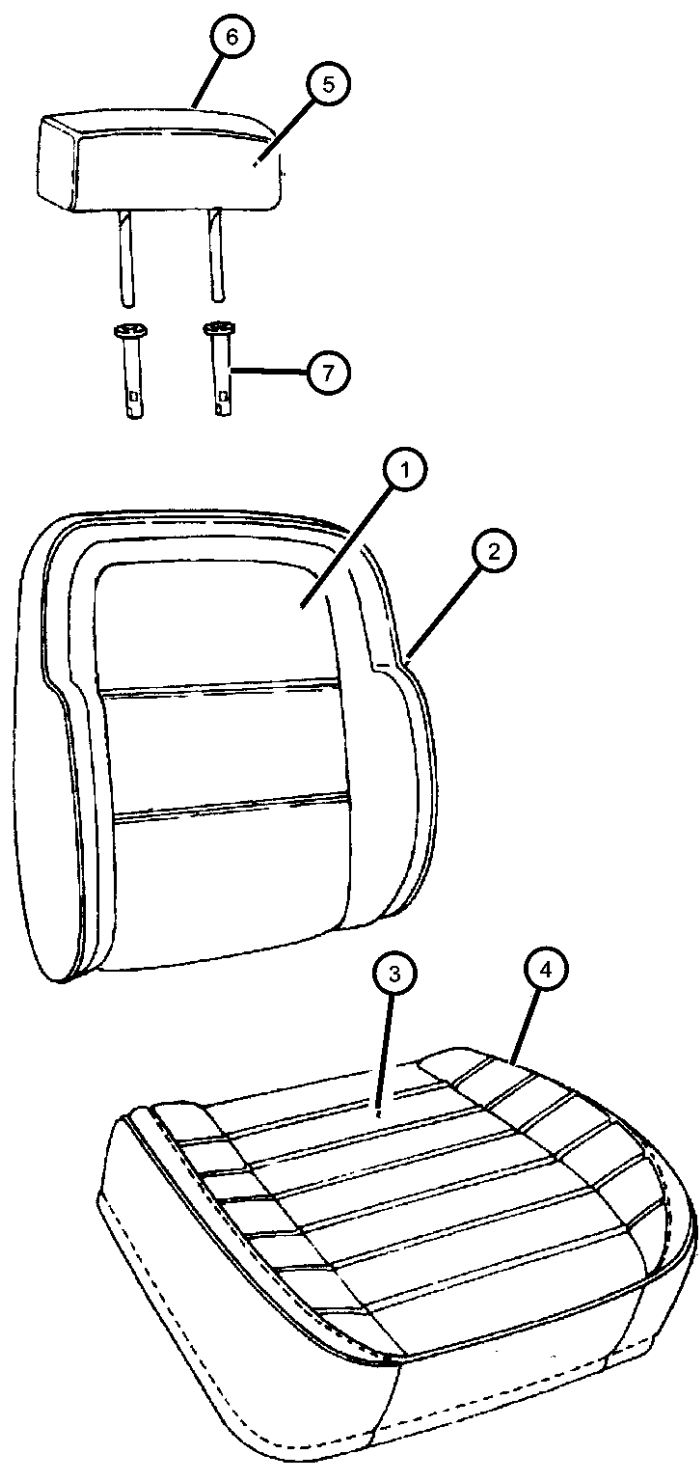
| ITEM | PART NUMBER | QTY | LINE | SERIES | BODY | ENGINE | TRANS | TRIM | DESCRIPTION |
|------|-------------|-----|------|--------|------|--------|-------|------|--------------------------------|
| 5 | 04856471 | 1 | | | | | | *F5 | Left HEADREST |
| | 0PN15SAZ | 4 | | | | | | *F5 | [AZ] |
| | 0PN15SC3 | 4 | | | | | | *F5 | [C3] |
| | 0PN15ST6 | 4 | | | | | | *F5 | [T6] |
| 6 | 04723834 | 8 | | | | | | *CL | CYLINDER, Headrest, With Latch |
| -7 | | | | | | | | | PAD, Heater |
| | 04897932AA | 2 | | | | | | *EL | Cushion |
| | 04897933AA | 2 | | | | | | *EL | Seat Back |

GRAND CHEROKEE (ZJ)

| | | | | |
|-------------|----------------------------------|-------------------------|--|--|
| SERIES | LINE | BODY | ENGINE | TRANSMISSION |
| L = LOWLINE | T = JEEP - 2WD J = JEEP - 4WD | 74 = SPORT UTILITY 4-DR | ELF = 5.2L V8 MPI Engine EML = 5.9L V8 MPI Engine ERH = 4.0L Power Tech I-6 Engine | DGK = 4-Spd. Automatic 42RE Transmission DGW = 4-Spd. Automatic 4RE Transmission DG0 = Transmissions - All Automatic |

AR = use ase required - = Non illustrated part

Front Seats, Trim Codes [GI, FL]
Figure IZJ-540



| ITEM | PART NUMBER | QTY | LINE | SERIES | BODY | ENGINE | TRANS | TRIM | DESCRIPTION |
|---|-------------|-----|------|--------|------|--------|-------|------|---|
| Trim Code [FL] have Pour-in-Place Headrests, therefore no Headrest Covers will be serviced. | | | | | | | | | |
| 1 | 0PM44SJ4 | 2 | | | | | | *GL | COVER, Front Seat Back [TJ], Up to 10-28-96 |
| | 0RA75SJ4AA | 2 | | | | | | *GL | [TJ], After 10-28-96 |
| | 0RK311AZAA | 2 | | | | | | *FL | [AZ], Non-Heated |
| | 0RK361AZAA | 2 | | | | | | *FL | [AZ], Heated |
| 2 | 0PN02SJ4 | 1 | | | | | | *GL | BACK, Front Seat [TJ], Up to 10-28-96, Right |
| | 0PN03SJ4 | 1 | | | | | | *GL | [TJ], Up to 10-28-96, Left |
| | 0RA94SJ4AA | 1 | | | | | | *GL | [TJ], After 10-28-96, Right |
| | 0RA95SJ4AA | 1 | | | | | | *GL | [TJ], After 10-28-96, Left |
| | 0RK381AZAA | 1 | | | | | | *FL | [AZ], Non-Heated, Right |
| | 0RK391AZAA | 1 | | | | | | *FL | [AZ], Non-Heated, Left |
| | 0RK481AZAA | 1 | | | | | | *FL | [AZ], Heated, Right |
| | 0RK491AZAA | 1 | | | | | | *FL | [AZ], Heated, Left |
| 3 | 0PN10SJ4 | 1 | | | | | | *GL | COVER AND PAD, Cushion [TJ], Up to 10-28-96, Right |
| | 0PN11SJ4 | 1 | | | | | | *GL | [TJ], Up to 10-28-96, Left |
| | 0RA98SJ4AA | 1 | | | | | | *GL | [TJ], After 10-28-96, Right |
| | 0RA99SJ4AA | 1 | | | | | | *GL | [TJ], After 10-28-96, Left |
| | 0RK521AZAA | 1 | | | | | | *FL | [AZ], Non-Heated, Right |
| | 0RK531AZAA | 1 | | | | | | *FL | [AZ], Non-Heated, Left |
| | 0RK541AZAA | 1 | | | | | | *FL | [AZ], Heated, Right |
| | 0RK551AZAA | 1 | | | | | | *FL | [AZ], Heated, Left |
| 4 | 04856470 | 1 | | | | | | *GL | FRAME, Front Seat Right |
| | 04856471 | 1 | | | | | | *FL | Right |
| | 04856471 | 1 | | | | | | *GL | Left |
| | 04856471 | 1 | | | | | | *FL | Left |
| 5 | 0PM50SJ4 | 1 | | | | | | *GL | COVER, Seat Headrest, [TJ] |
| 6 | 0PM90SJ4 | 1 | | | | | | *GL | HEADREST [TJ] |
| | 0PN14SAZ | 4 | | | | | | *FL | [AZ] |
| 7 | | | | | | | | | CYLINDER, Headrest |

GRAND CHEROKEE (ZJ)

SERIES LINE
L = LOWLINE T = JEEP - 2WD
J = JEEP - 4WD

BODY
74 = SPORT UTILITY 4-DR

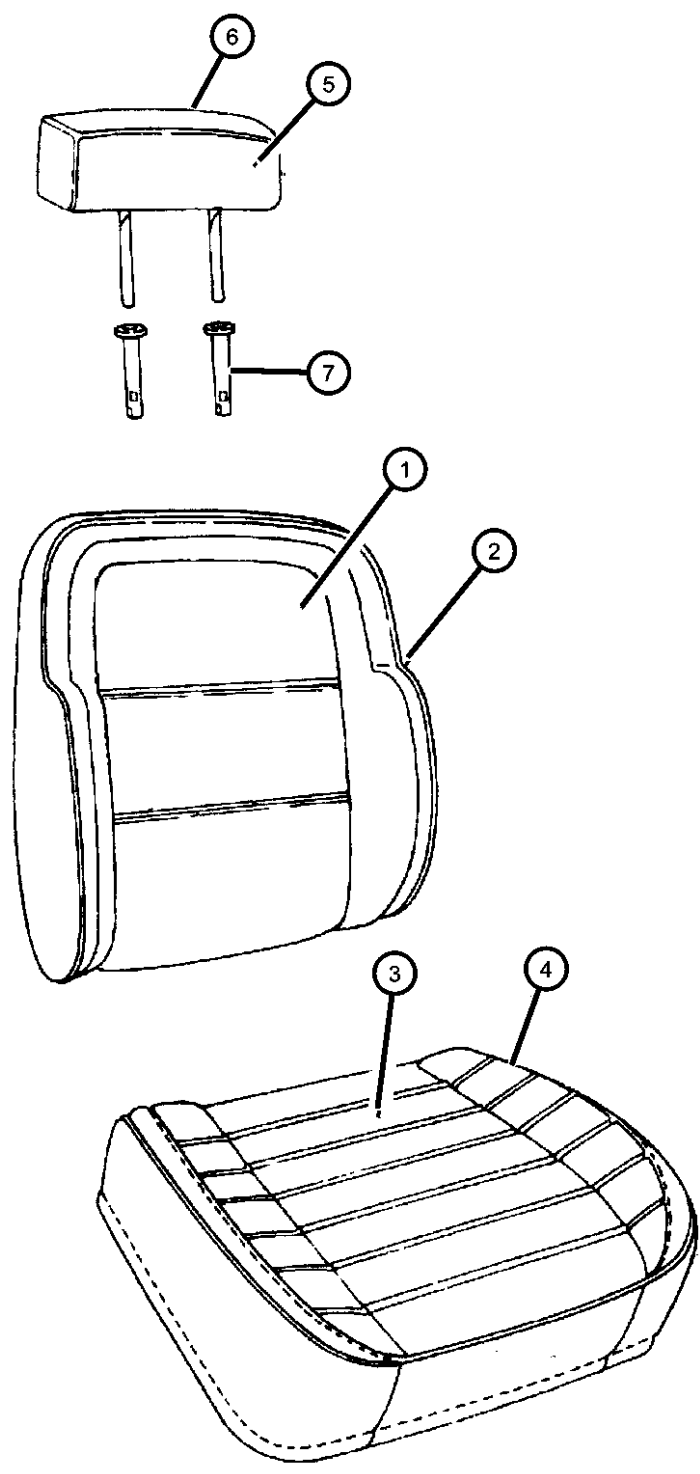
ENGINE
ELF = 5.2L V8 MPI Engine
EML = 5.9L V8 MPI Engine
ERH = 4.0L Power Tech I-6 Engine

TRANSMISSION
DGK = 4-Spd. Automatic 42RE
Transmission
DGW = 4-Spd. Automatic 4RE
Transmission
DG0 = Transmissions - All Automatic

AR = use ase required - = Non illustrated part

1997 ZJ

Front Seats, Trim Codes [GI, FL]
Figure IZJ-540



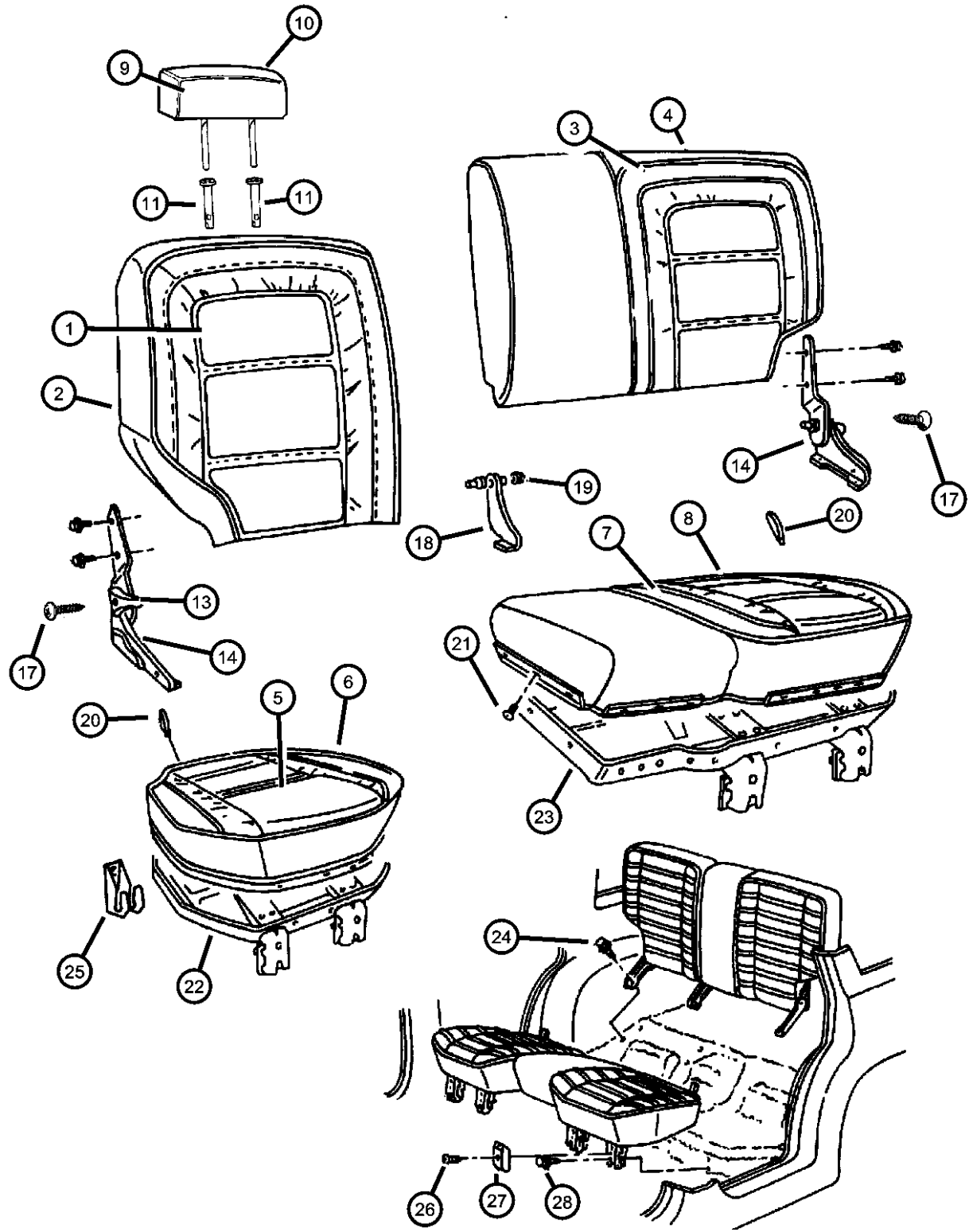
| ITEM | PART NUMBER | QTY | LINE | SERIES | BODY | ENGINE | TRANS | TRIM | DESCRIPTION |
|------|-------------|-----|------|--------|------|--------|-------|------|-------------------------|
| | 04723834 | 8 | | | | | | *GL | |
| | | 4 | | | | | | *FL | |
| -8 | | | | | | | | | REPAIR KIT, Heated Seat |
| | 05015478AA | 1 | | | | | | *FL | |
| | | 1 | | | | | | *GL | |

GRAND CHEROKEE (ZJ)

| | | | | |
|-------------|----------------------------------|-------------------------|--|--|
| SERIES | LINE | BODY | ENGINE | TRANSMISSION |
| L = LOWLINE | T = JEEP - 2WD J = JEEP - 4WD | 74 = SPORT UTILITY 4-DR | ELF = 5.2L V8 MPI Engine EML = 5.9L V8 MPI Engine ERH = 4.0L Power Tech I-6 Engine | DGK = 4-Spd. Automatic 42RE Transmission DGW = 4-Spd. Automatic 4RE Transmission DG0 = Transmissions - All Automatic |

AR = use ase required - = Non illustrated part

**Rear Seat
Figure IZJ-610**



| ITEM | PART NUMBER | QTY | LINE | SERIES | BODY | ENGINE | TRANS | TRIM | DESCRIPTION |
|------|-------------|-----|------|--------|------|--------|-------|------|-------------|
|------|-------------|-----|------|--------|------|--------|-------|------|-------------|

The following Trim Codes [EL, FL, F5], have Pour-in-Place Headrest, therefore no covers will be serviced.

| | | | | | | | | | |
|---|------------|---|--|--|--|--|--|----------|----------------------------|
| 1 | | | | | | | | | COVER, Rear Seat Back, 40% |
| | 0PM70SAZ | 1 | | | | | | *F5 [AZ] | |
| | 0PM70SC3 | 1 | | | | | | *F5 [C3] | |
| | 0PM70ST6 | 1 | | | | | | *F5 [T6] | |
| | 0PM74SJ4 | 1 | | | | | | *GL [TG] | |
| | 0PM76SAZ | 1 | | | | | | *CL [AZ] | |
| | 0PM76SC3 | 1 | | | | | | *CL [C3] | |
| | 0PM76ST6 | 1 | | | | | | *CL [T6] | |
| | 0PM78ST6 | 1 | | | | | | *EL [T6] | |
| | 0PM78SAZ | 1 | | | | | | *EL [AZ] | |
| | 0RK321AZAA | 1 | | | | | | *FL [AZ] | |
| 2 | | | | | | | | | SEAT BACK, Rear, 40% |
| | 0PN18SAZ | 1 | | | | | | *CL [AZ] | |
| | 0PN18SC3 | 1 | | | | | | *CL [C3] | |
| | 0PN18ST6 | 1 | | | | | | *CL [T6] | |
| | 0PN22SAZ | 1 | | | | | | *EL [AZ] | |
| | 0PN22ST6 | 1 | | | | | | *EL [T6] | |
| | 0PN24SAZ | 1 | | | | | | *F5 [AZ] | |
| | 0PN24SC3 | 1 | | | | | | *F5 [C3] | |
| | 0PN24ST6 | 1 | | | | | | *F5 [T6] | |
| | 0PN26SJ4 | 1 | | | | | | *GL [TG] | |
| | 0RK401AZAA | 1 | | | | | | *FL [AZ] | |
| 3 | | | | | | | | | COVER, Rear Seat Back, 60% |
| | 0PM71SAZ | 1 | | | | | | *F5 [AZ] | |
| | 0PM71SC3 | 1 | | | | | | *F5 [C3] | |
| | 0PM71ST6 | 1 | | | | | | *F5 [T6] | |
| | 0PM75SJ4 | 1 | | | | | | *GL [TG] | |
| | 0PM77SAZ | 1 | | | | | | *CL [AZ] | |
| | 0PM77SC3 | 1 | | | | | | *CL [C3] | |
| | 0PM77ST6 | 1 | | | | | | *CL [T6] | |
| | 0PM79ST6 | 1 | | | | | | *EL [T6] | |
| | 0PM79SAZ | 1 | | | | | | *EL [AZ] | |
| | 0RK331AZAA | 1 | | | | | | *FL [AZ] | |

GRAND CHEROKEE (ZJ)

SERIES LINE
L = LOWLINE T = JEEP - 2WD
J = JEEP - 4WD

BODY
74 = SPORT UTILITY 4-DR

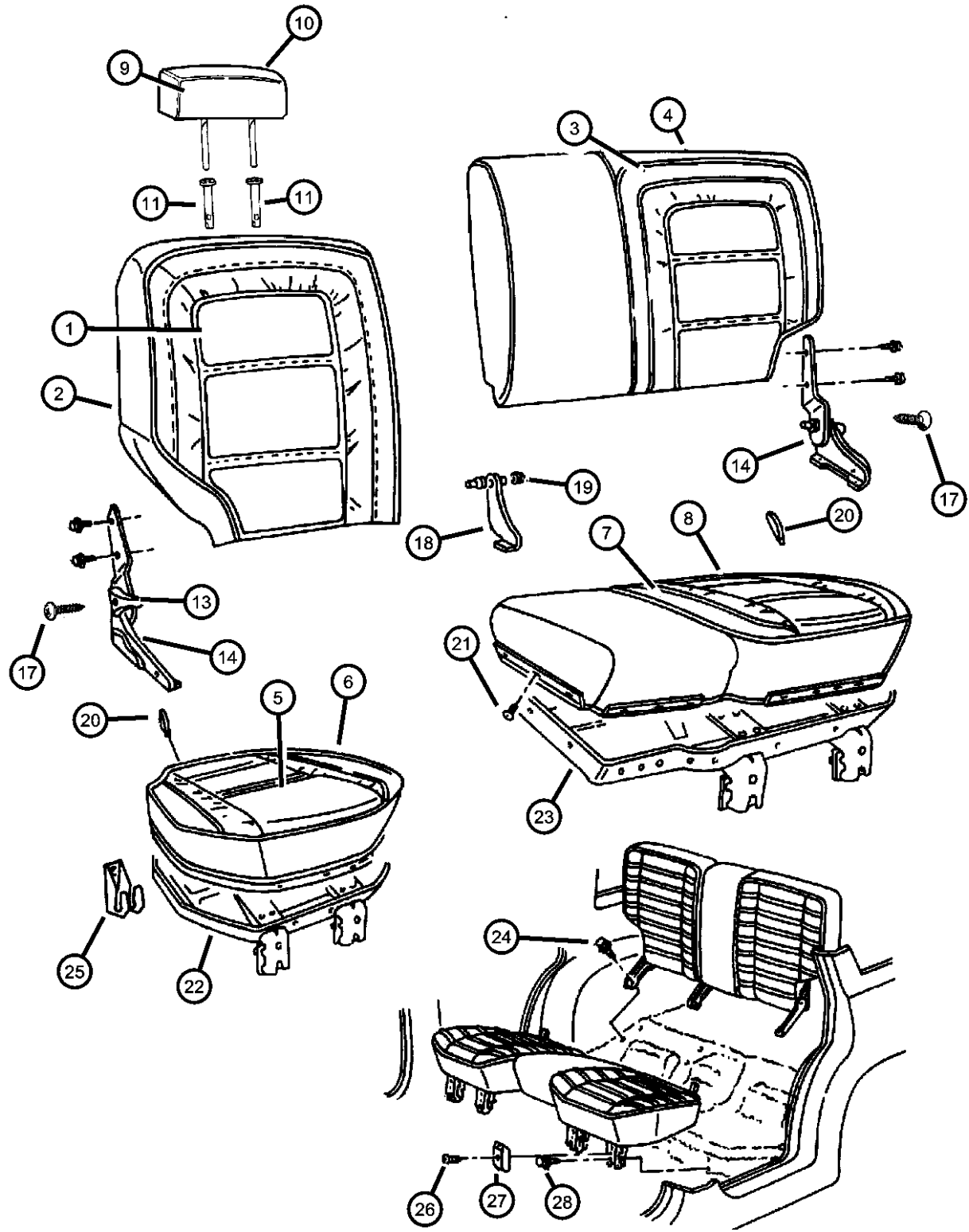
ENGINE
ELF = 5.2L V8 MPI Engine
EML = 5.9L V8 MPI Engine
ERH = 4.0L Power Tech I-6 Engine

TRANSMISSION
DGK = 4-Spd. Automatic 42RE Transmission
DGW = 4-Spd. Automatic 4RE Transmission
DG0 = Transmissions - All Automatic

AR = use ase required - = Non illustrated part

1997 ZJ

Rear Seat
Figure IZJ-610

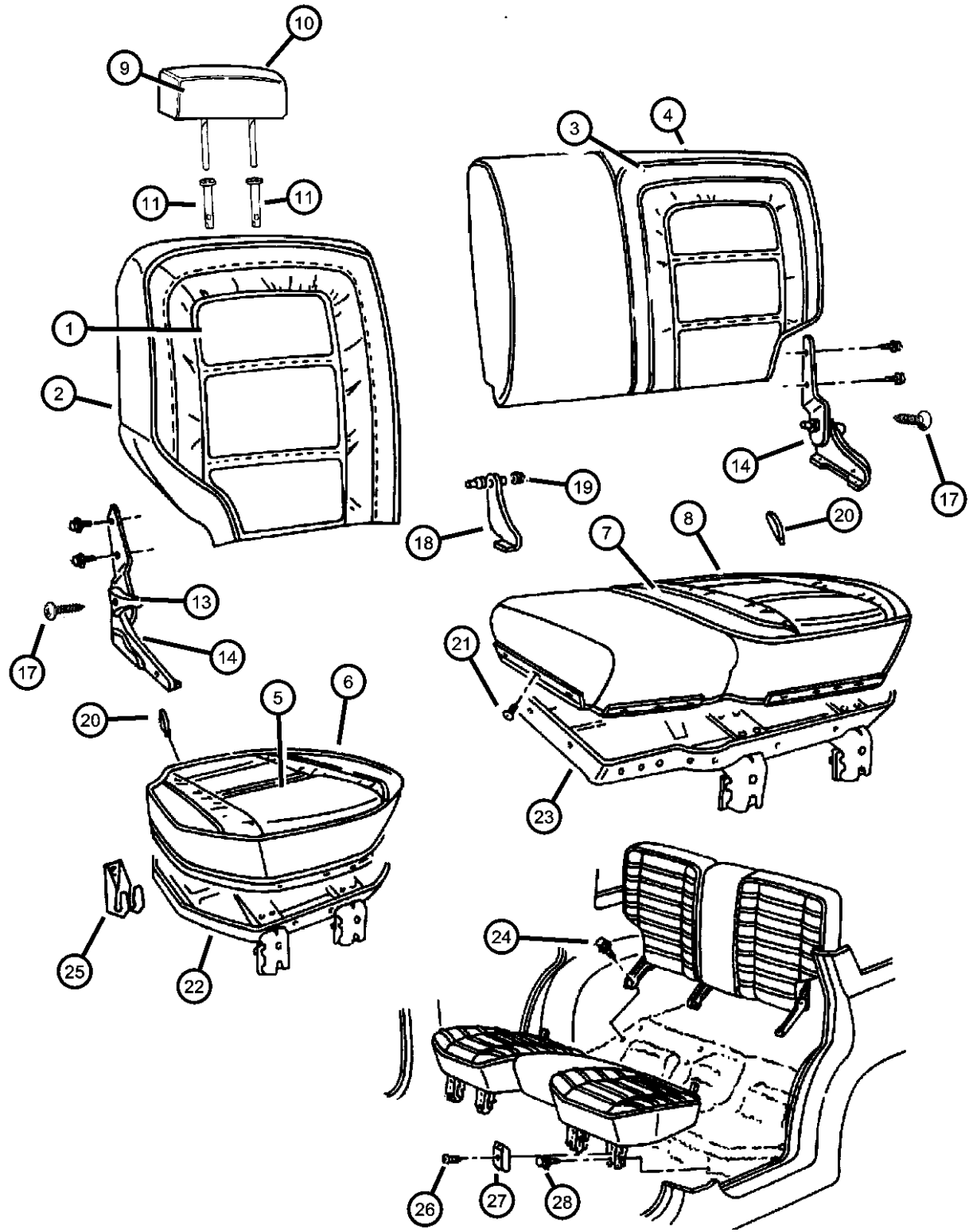


| ITEM | PART NUMBER | QTY | LINE | SERIES | BODY | ENGINE | TRANS | TRIM | DESCRIPTION |
|------|-------------|-----|------|--------|------|--------|-------|------|--|
| 4 | | | | | | | | | SEAT BACK, Rear, 60%, With Frame Pad and Cover |
| | 0PN19SAZ | 1 | | | | | | *CL | [AZ] |
| | 0PN19SC3 | 1 | | | | | | *CL | [C3] |
| | 0PN19ST6 | 1 | | | | | | *CL | [T6] |
| | 0PN23SAZ | 1 | | | | | | *EL | [AZ] |
| | 0PN23ST6 | 1 | | | | | | *EL | [T6] |
| | 0PN25SAZ | 1 | | | | | | *F5 | [AZ] |
| | 0PN25SC3 | 1 | | | | | | *F5 | [C3] |
| | 0PN25ST6 | 1 | | | | | | *F5 | [T6] |
| | 0PN27SJ4 | 1 | | | | | | *GL | [TG] |
| | 0RK411AZAA | 1 | | | | | | *FL | [AZ] |
| 5 | | | | | | | | | COVER, Rear Seat Cushion, 40% |
| | 0PM80SAZ | 1 | | | | | | *EL | [AZ] |
| | 0PM80ST6 | 1 | | | | | | *EL | [T6] |
| | 0PM82SAZ | 1 | | | | | | *CL | [AZ] |
| | 0PM82SC3 | 1 | | | | | | *CL | [C3] |
| | 0PM82ST6 | 1 | | | | | | *CL | [T6] |
| | 0PM84SJ4 | 1 | | | | | | *GL | [TG] |
| | 0PM86SAZ | 1 | | | | | | *F5 | [AZ] |
| | 0PM86SC3 | 1 | | | | | | *F5 | [C3] |
| | 0PM86ST6 | 1 | | | | | | *F5 | [T6] |
| | 0RK341AZAA | 1 | | | | | | *FL | [AZ] |
| 6 | | | | | | | | | CUSHION ASSEMBLY, Rear Seat, 60%, With Frame Pad and Cover |
| | 0PN30SAZ | 1 | | | | | | *CL | [AZ] |
| | 0PN30SC3 | 1 | | | | | | *CL | [C3] |
| | 0PN30ST6 | 1 | | | | | | *CL | [T6] |
| | 0PN34SAZ | 1 | | | | | | *EL | [AZ] |
| | 0PN34ST6 | 1 | | | | | | *EL | [T6] |
| | 0PN40SAZ | 1 | | | | | | *F5 | [AZ] |
| | 0PN40SC3 | 1 | | | | | | *F5 | [C3] |
| | 0PN40ST6 | 1 | | | | | | *F5 | [T6] |
| | 0PN42SJ4 | 1 | | | | | | *GL | [TG] |
| | 0RK461AZAA | 1 | | | | | | *FL | [AZ] |

GRAND CHEROKEE (ZJ)
 SERIES LINE BODY ENGINE TRANSMISSION
 L = LOWLINE T = JEEP - 2WD 74 = SPORT UTILITY 4-DR ELF = 5.2L V8 MPI Engine DGK = 4-Spd. Automatic 42RE
 J = JEEP - 4WD EML = 5.9L V8 MPI Engine Transmission
 ERH = 4.0L Power Tech I-6 Engine DGW = 4-Spd. Automatic 4RE
 Transmission
 DG0 = Transmissions - All Automatic

AR = use ase required - = Non illustrated part

Rear Seat
Figure IZJ-610



| ITEM | PART NUMBER | QTY | LINE | SERIES | BODY | ENGINE | TRANS | TRIM | DESCRIPTION |
|------|-------------|-----|------|--------|------|--------|-------|----------|--|
| 7 | | | | | | | | | COVER, Rear Seat Cushion, 60% |
| | 0PM81SAZ | 1 | | | | | | *EL [AZ] | |
| | 0PM81ST6 | 1 | | | | | | *EL [T6] | |
| | 0PM83SAZ | 1 | | | | | | *CL [AZ] | |
| | 0PM83SC3 | 1 | | | | | | *CL [C3] | |
| | 0PM83ST6 | 1 | | | | | | *CL [T6] | |
| | 0PM85SJ4 | 1 | | | | | | *GL [TG] | |
| | 0PM87SAZ | 1 | | | | | | *F5 [AZ] | |
| | 0PM87SC3 | 1 | | | | | | *F5 [C3] | |
| | 0PM87ST6 | 1 | | | | | | *F5 [T6] | |
| | 0RK351AZAA | 1 | | | | | | *FL [AZ] | |
| 8 | | | | | | | | | CUSHION ASSEMBLY, Rear Seat, 60%, With Frame Pad and Cover |
| | 0PN31SAZ | 1 | | | | | | *CL [AZ] | |
| | 0PN31SC3 | 1 | | | | | | *CL [C3] | |
| | 0PN31ST6 | 1 | | | | | | *CL [T6] | |
| | 0PN35SAZ | 1 | | | | | | *EL [AZ] | |
| | 0PN35ST6 | 1 | | | | | | *EL [T6] | |
| | 0PN41SAZ | 1 | | | | | | *F5 [AZ] | |
| | 0PN41SC3 | 1 | | | | | | *F5 [C3] | |
| | 0PN41ST6 | 1 | | | | | | *F5 [T6] | |
| | 0PN43SJ4 | 1 | | | | | | *GL [TG] | |
| | 0RK471AZAA | 1 | | | | | | *FL [AZ] | |
| 9 | | | | | | | | | COVER, Seat Headrest |
| | 0PM50SAZ | 4 | | | | | | *CL [AZ] | |
| | 0PM50SC3 | 4 | | | | | | *CL [C3] | |
| | 0PM50SJ4 | 1 | | | | | | *GL [TG] | |
| | 0PM50ST6 | 4 | | | | | | *CL [T6] | |
| 10 | | | | | | | | | HEADREST |
| | 0PM90SAZ | 4 | | | | | | *CL [AZ] | |
| | 0PM90SC3 | 4 | | | | | | *CL [C3] | |
| | 0PM90SJ4 | 1 | | | | | | *GL [TJ] | |
| | 0PM90ST6 | 4 | | | | | | *CL [T6] | |
| | 0PN14SAZ | 4 | | | | | | *EL [AZ] | |

GRAND CHEROKEE (ZJ)

SERIES LINE
L = LOWLINE T = JEEP - 2WD
J = JEEP - 4WD

BODY
74 = SPORT UTILITY 4-DR

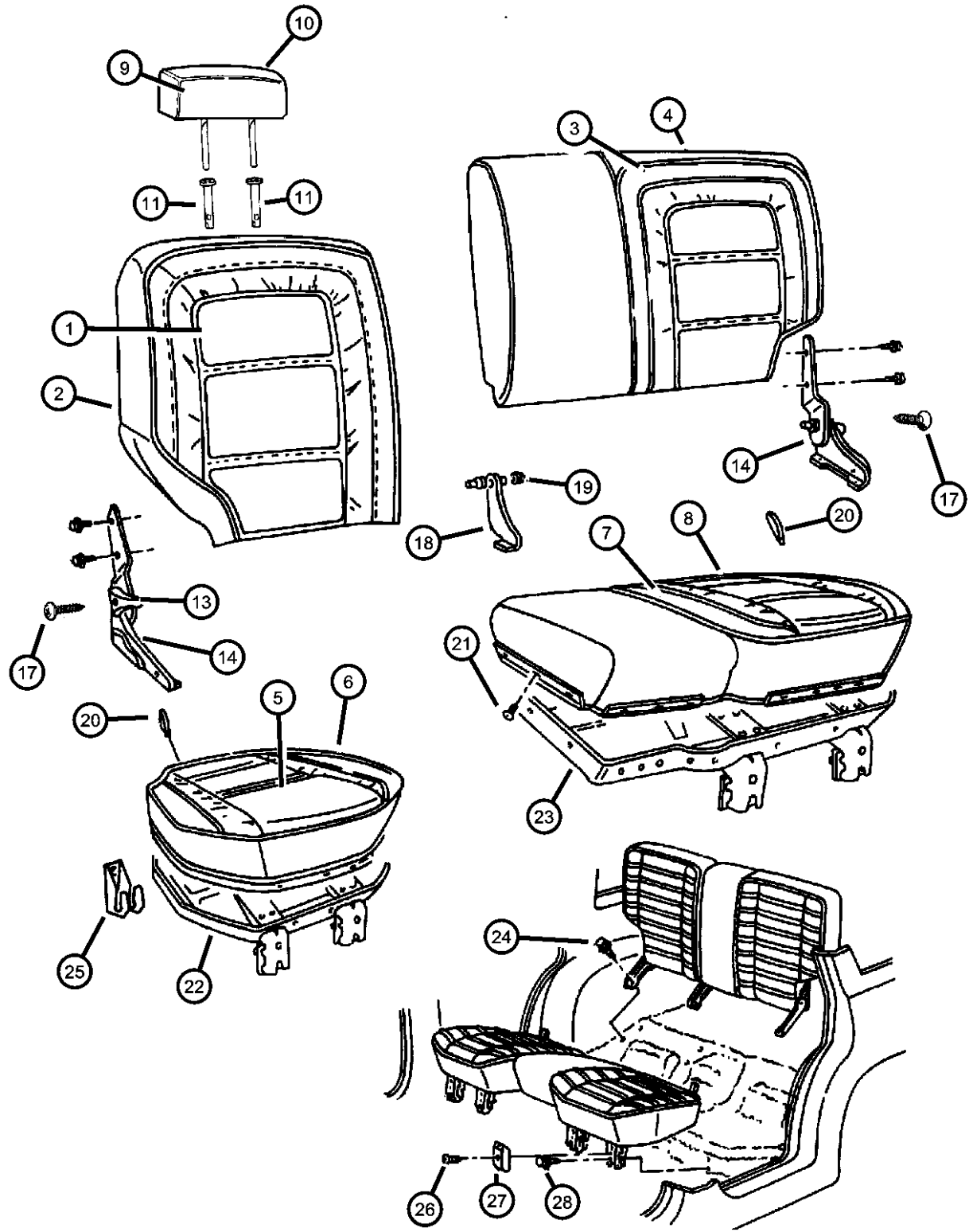
ENGINE
ELF = 5.2L V8 MPI Engine
EML = 5.9L V8 MPI Engine
ERH = 4.0L Power Tech I-6 Engine

TRANSMISSION
DGK = 4-Spd. Automatic 42RE Transmission
DGW = 4-Spd. Automatic 4RE Transmission
DG0 = Transmissions - All Automatic

AR = use ase required - = Non illustrated part

1997 ZJ

Rear Seat
Figure IZJ-610

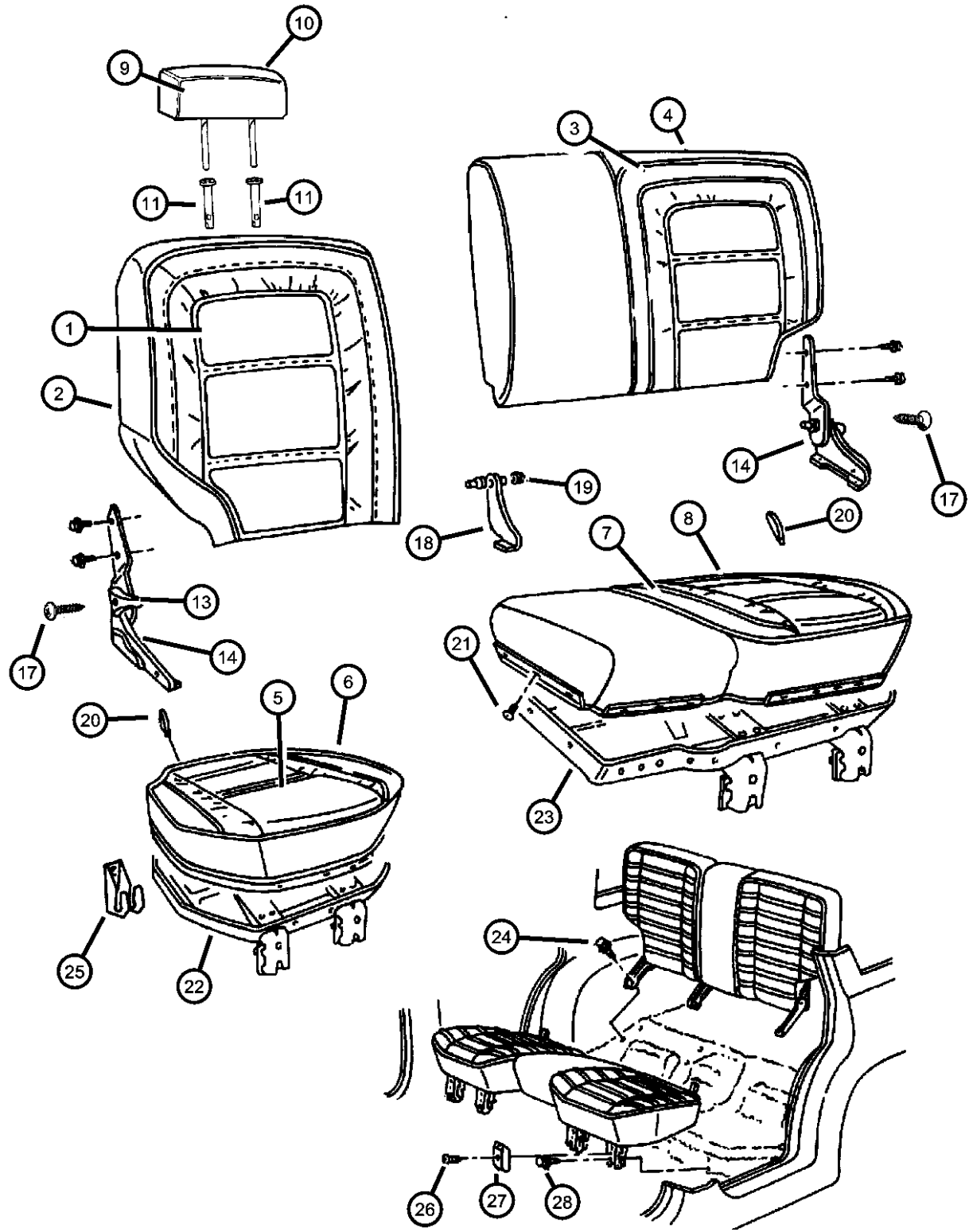


| ITEM | PART NUMBER | QTY | LINE | SERIES | BODY | ENGINE | TRANS | TRIM | DESCRIPTION |
|------|-------------|-----|------|--------|------|--------|-------|------|---|
| | 0PN14ST6 | 1 | | | | | | *EL | [T6] |
| | 0PN15SAZ | 4 | | | | | | *F5 | [AZ] |
| | 0PN15SC3 | 4 | | | | | | *F5 | [C3] |
| | 0PN15ST6 | 4 | | | | | | *F5 | [T6] |
| 11 | | | | | | | | | CYLINDER, Headrest, With Latch |
| | 04723834 | 8 | | | | | | *F5 | |
| | | 8 | | | | | | *EL | |
| | | 8 | | | | | | *CL | |
| | | 8 | | | | | | *GL | |
| | | 4 | | | | | | *FL | |
| -12 | | | | | | | | | CYLINDER, Headrest, Stowage Cylinder, Found in Rear Seat Cushion For Headrest Stowage |
| | 04864985 | 2 | | | | | | *F5 | |
| | | 2 | | | | | | *EL | |
| | | 2 | | | | | | *CL | |
| | | 2 | | | | | | *GL | |
| | | 2 | | | | | | *FL | |
| 13 | | | | | | | | | HANDLE, Seat Release, Also Serviced With Latch |
| | 04773930 | 1 | | | | | | *EL | Right |
| | | 1 | | | | | | *CL | Right |
| | | 1 | | | | | | *GL | Right |
| | | 1 | | | | | | *F5 | Right |
| | | 1 | | | | | | *FL | Right |
| | 04773931 | 1 | | | | | | *F5 | Left |
| | | 1 | | | | | | *CL | Left |
| | | 1 | | | | | | *GL | Left |
| | | 1 | | | | | | *EL | Left |
| | | 1 | | | | | | *FL | Left |
| 14 | | | | | | | | | LATCH, Seat, Includes Latch, Handle, Cover and Rivnut |
| | 04773932 | 1 | | | | | | *F5 | Right |
| | | 1 | | | | | | *EL | Right |
| | | 1 | | | | | | *CL | Right |
| | | 1 | | | | | | *GL | Right |

GRAND CHEROKEE (ZJ)
 SERIES LINE BODY ENGINE TRANSMISSION
 L = LOWLINE T = JEEP - 2WD 74 = SPORT UTILITY 4-DR ELF = 5.2L V8 MPI Engine DGK = 4-Spd. Automatic 42RE
 J = JEEP - 4WD EML = 5.9L V8 MPI Engine Transmission
 ERH = 4.0L Power Tech I-6 Engine DGW = 4-Spd. Automatic 4RE
 Transmission
 DG0 = Transmissions - All Automatic

AR = use ase required - = Non illustrated part

Rear Seat
Figure IZJ-610

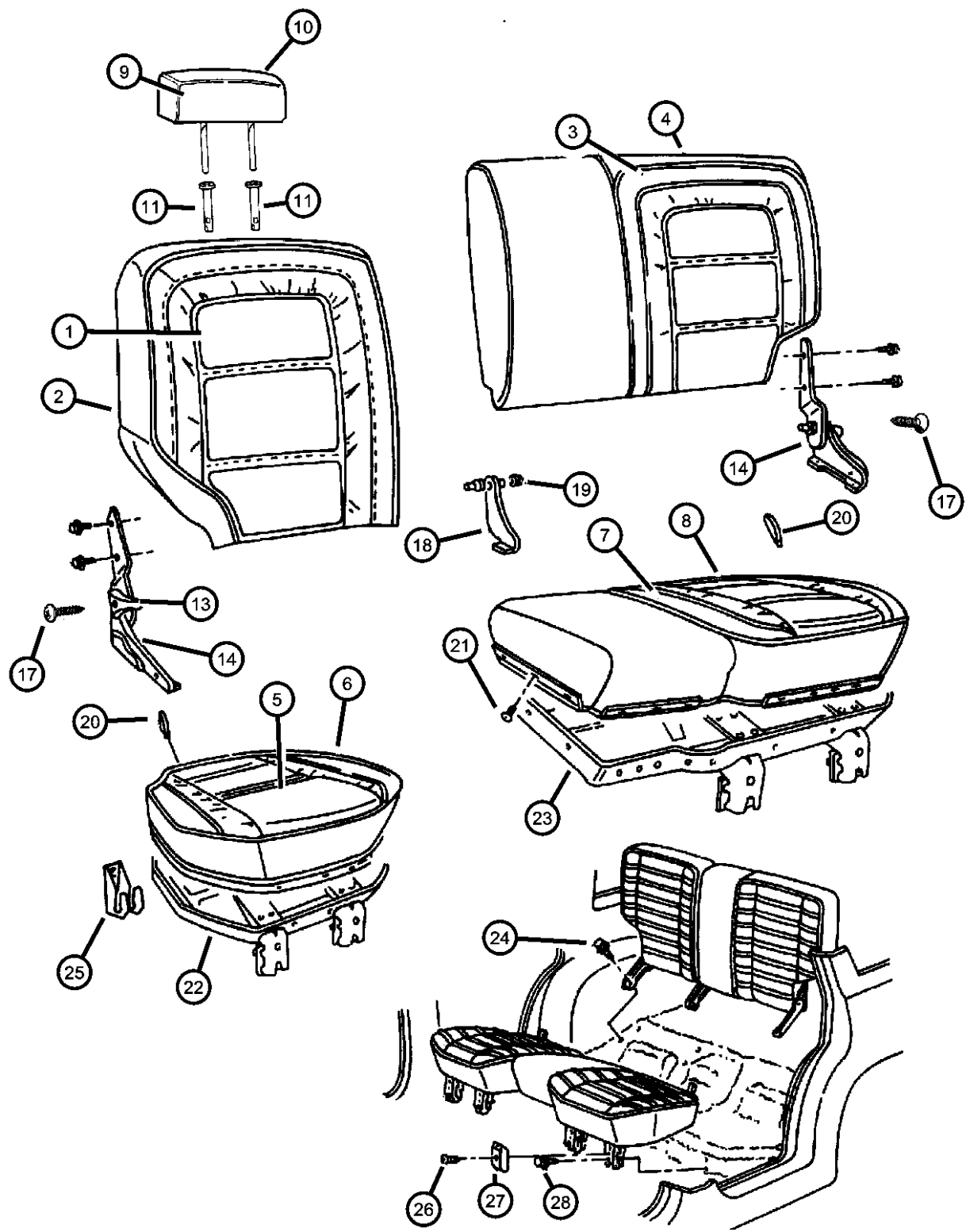


| ITEM | PART NUMBER | QTY | LINE | SERIES | BODY | ENGINE | TRANS | TRIM | DESCRIPTION |
|------|-------------|-----|------|--------|------|--------|-------|------|---------------------------|
| | | 1 | | | | | | *FL | Right |
| | 04773933 | 1 | | | | | | *F5 | Left |
| | | 1 | | | | | | *CL | Left |
| | | 1 | | | | | | *GL | Left |
| | | 1 | | | | | | *EL | Left |
| | | 1 | | | | | | *FL | Left |
| -15 | | | | | | | | | COVER, Folding Seat Latch |
| | 04720586 | 1 | | | | | | *F5 | Right |
| | | 1 | | | | | | *EL | Right |
| | | 1 | | | | | | *CL | Right |
| | | 1 | | | | | | *GL | Right |
| | | 1 | | | | | | *FL | Right |
| | 04720587 | 1 | | | | | | *CL | Left |
| | | 1 | | | | | | *GL | Left |
| | | 1 | | | | | | *F5 | Left |
| | | 1 | | | | | | *EL | Left |
| | | 1 | | | | | | *FL | Left |
| -16 | | | | | | | | | RIVNUT, Seat Latch Cover |
| | 04728280 | 2 | | | | | | *F5 | |
| | | 2 | | | | | | *EL | |
| | | 2 | | | | | | *CL | |
| | | 2 | | | | | | *GL | |
| | | 2 | | | | | | *FL | |
| 17 | | | | | | | | | SCREW, Recliner Handle |
| | 04713800 | 2 | | | | | | *F5 | |
| | | 2 | | | | | | *EL | |
| | | 2 | | | | | | *CL | |
| | | 2 | | | | | | *GL | |
| | | 2 | | | | | | *FL | |
| 18 | | | | | | | | | BRACKET, Pivot, Center |
| | 04761926 | 1 | | | | | | *F5 | |
| | | 1 | | | | | | *EL | |
| | | 1 | | | | | | *CL | |
| | | 1 | | | | | | *GL | |

GRAND CHEROKEE (ZJ)
 SERIES LINE BODY ENGINE TRANSMISSION
 L = LOWLINE T = JEEP - 2WD 74 = SPORT UTILITY 4-DR ELF = 5.2L V8 MPI Engine DGK = 4-Spd. Automatic 42RE
 J = JEEP - 4WD EML = 5.9L V8 MPI Engine Transmission
 ERH = 4.0L Power Tech I-6 Engine DGW = 4-Spd. Automatic 4RE
 Transmission
 DG0 = Transmissions - All Automatic

AR = use ase required - = Non illustrated part

Rear Seat
Figure IZJ-610

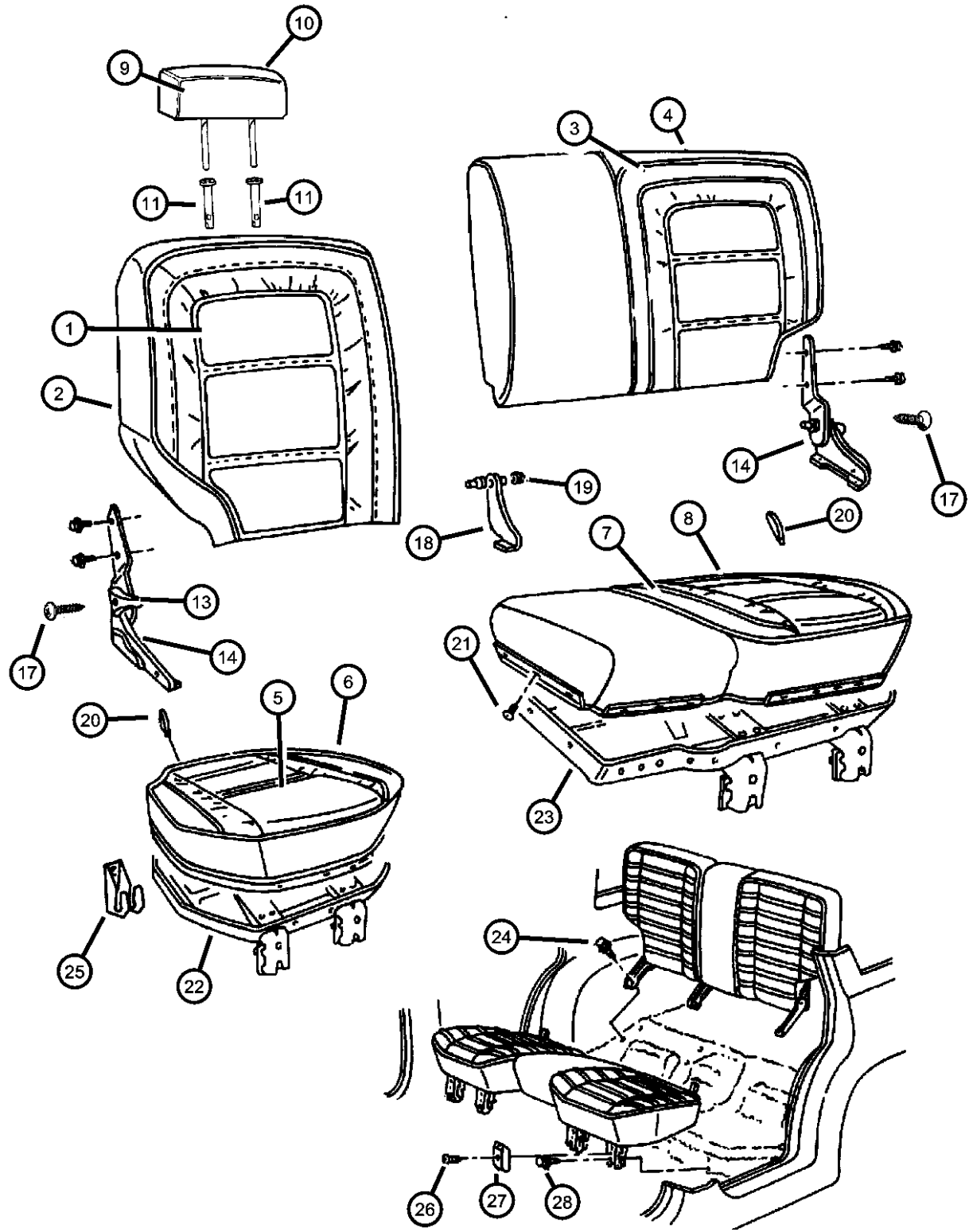


| ITEM | PART NUMBER | QTY | LINE | SERIES | BODY | ENGINE | TRANS | TRIM | DESCRIPTION |
|------|-------------|-----|------|--------|------|--------|-------|----------|-------------------------------|
| 19 | | 1 | | | | | | *FL | GROMMET, Center Pivot |
| | 04882193 | 2 | | | | | | *EL | |
| | | 2 | | | | | | *CL | |
| | | 2 | | | | | | *F5 | |
| | | 2 | | | | | | *FL | |
| | | 2 | | | | | | *GL | |
| 20 | | | | | | | | | STRAP, Seat Pull |
| | 0HC66SAZ | 2 | | | | | | *F5 [AZ] | |
| | | 2 | | | | | | *EL [AZ] | |
| | | 2 | | | | | | *CL [AZ] | |
| | | 2 | | | | | | *FL [AZ] | |
| | 0HC66SC3 | 2 | | | | | | *F5 [C3] | |
| | | 2 | | | | | | *CL [C3] | |
| | 0HC66SJ4 | 2 | | | | | | *GL [TG] | |
| | 0HC66ST6 | 2 | | | | | | *F5 [T6] | |
| | | 2 | | | | | | *EL [T6] | |
| | | 2 | | | | | | *CL [T6] | |
| 21 | | | | | | | | | RETAINER, Cushion Cover |
| | 04720778 | 44 | | | | | | *F5 | |
| | | 44 | | | | | | *EL | |
| | | 44 | | | | | | *CL | |
| | | 44 | | | | | | *GL | |
| | | 42 | | | | | | *FL | |
| 22 | | | | | | | | | PANEL, Seat Cushion Base, 40% |
| | 04864980 | 1 | | | | | | *F5 | |
| | | 1 | | | | | | *EL | |
| | | 1 | | | | | | *CL | |
| | | 1 | | | | | | *GL | |
| | | 1 | | | | | | *FL | |
| 23 | | | | | | | | | PANEL, Seat Cushion Base, 60% |
| | 04864981 | 1 | | | | | | *F5 | |
| | | 1 | | | | | | *EL | |
| | | 1 | | | | | | *CL | |

GRAND CHEROKEE (ZJ)
 SERIES LINE BODY ENGINE TRANSMISSION
 L = LOWLINE T = JEEP - 2WD 74 = SPORT UTILITY 4-DR ELF = 5.2L V8 MPI Engine DGK = 4-Spd. Automatic 42RE
 J = JEEP - 4WD EML = 5.9L V8 MPI Engine Transmission
 ERH = 4.0L Power Tech I-6 Engine DGW = 4-Spd. Automatic 4RE
 Transmission
 DG0 = Transmissions - All Automatic

AR = use ase required - = Non illustrated part

Rear Seat
Figure IZJ-610

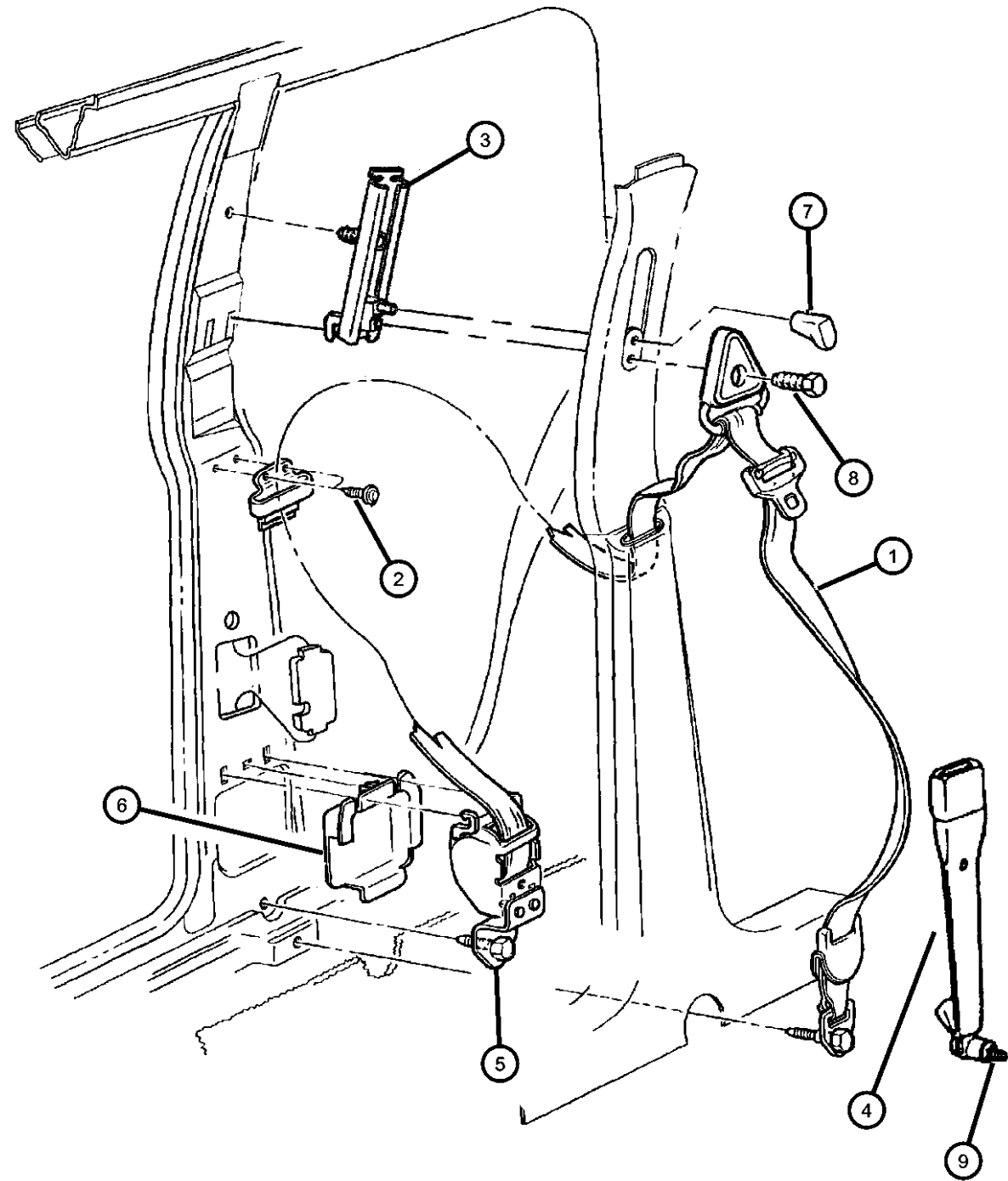


| ITEM | PART NUMBER | QTY | LINE | SERIES | BODY | ENGINE | TRANS | TRIM | DESCRIPTION |
|------|-------------|-----|------|--------|------|--------|-------|------|---|
| | | 1 | | | | | | *GL | |
| | | 1 | | | | | | *FL | |
| 24 | 06503719 | 2 | | | | | | | SCREW AND WASHER, Head Head Lock, M8-1.25x30.00, Pivot and Latch to Floor |
| 25 | 55195551 | 4 | | | | | | | PLATE, Seat Cushion |
| 26 | 55195551 | 4 | | | | | | | SCREW, 8-18x.375, (NOT SERVICED) |
| 27 | 55030548 | 4 | | | | | | | COVER, Rear Seat Cushion Hinge |
| 28 | 06100558 | 8 | | | | | | | BOLT AND CONED WASHER, Hex Head, M6x25x14 |
| -29 | 04728952AB | 1 | | | | | | | ANCHOR PACKAGE, Child Seat Tether |

| | | | | |
|----------------------------|----------------------------------|-------------------------|--|--|
| GRAND CHEROKEE (ZJ) | | | | |
| SERIES | LINE | BODY | ENGINE | TRANSMISSION |
| L = LOWLINE | T = JEEP - 2WD J = JEEP - 4WD | 74 = SPORT UTILITY 4-DR | ELF = 5.2L V8 MPI Engine EML = 5.9L V8 MPI Engine ERH = 4.0L Power Tech I-6 Engine | DGK = 4-Spd. Automatic 42RE Transmission DGW = 4-Spd. Automatic 4RE Transmission DG0 = Transmissions - All Automatic |

AR = use ase required - = Non illustrated part

**Seat Belts Front Seat
Figure IZJ-710**

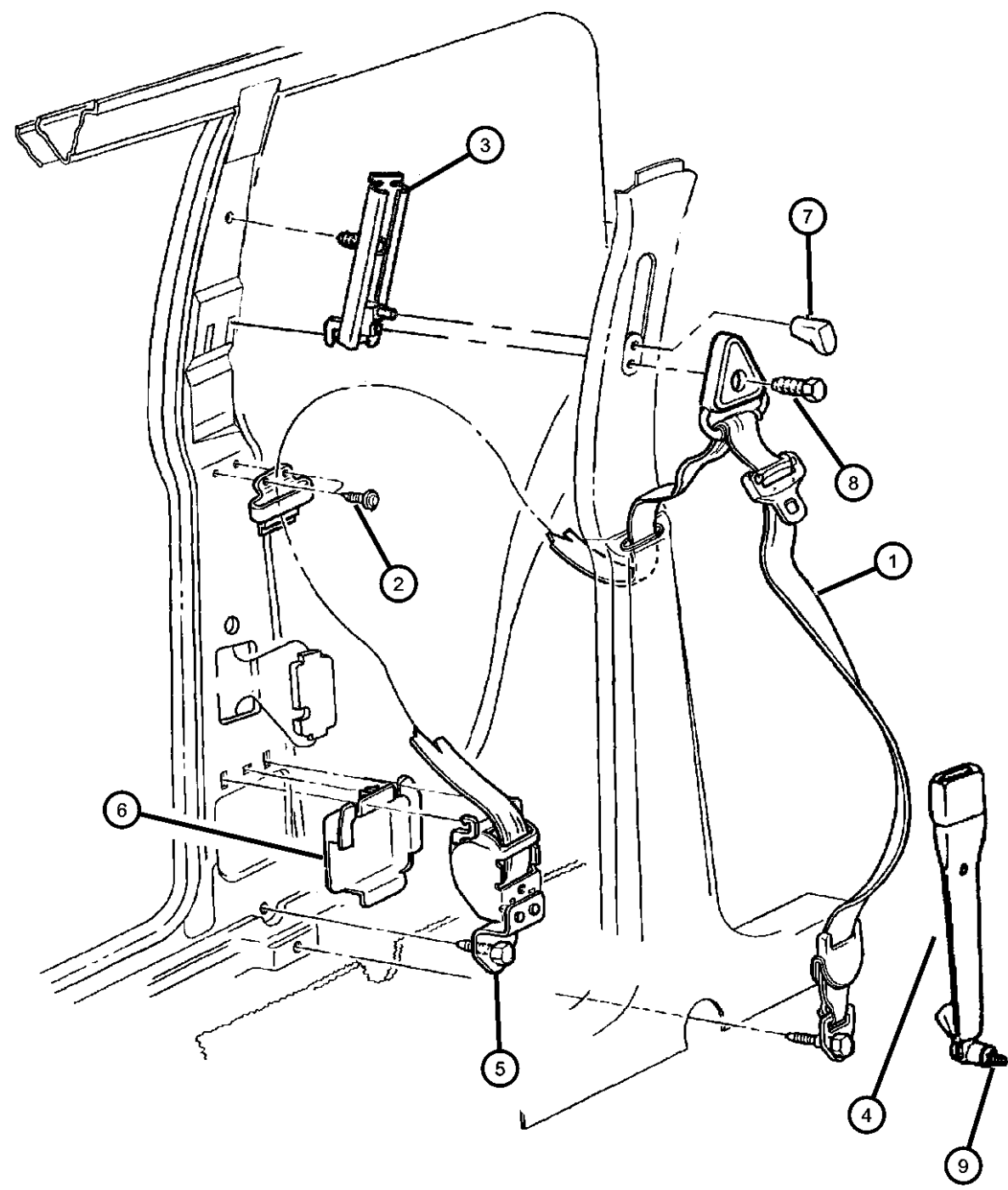


| ITEM | PART NUMBER | QTY | LINE | SERIES | BODY | ENGINE | TRANS | TRIM | DESCRIPTION | | |
|------|--|---|------|--------|------|--------|-------|----------------|---|-------------------------------------|---------------------|
| 1 | 5FN83RT6 | 1 | | | | | | *O0 | SEAT BELT, Front Outer [TJ, T6], Left | | |
| | 5FG04SAZ | 1 | | | | | | *O0 | [AZ, C3], Right | | |
| | 5FG04ST6 | 1 | | | | | | *O0 | [TJ, T6], Right | | |
| | 5FN83LAZ | 1 | | | | | | *O0 | [AZ, C3], Left | | |
| 2 | 06032723 | 4 | | | | | | | SCREW, Self Tapping, M4.2x1.69x19.05, Seat Belt to [B] Pillar | | |
| | | | | | | | | | | ADJUSTER, Seat Belt Turning Loop | |
| 4 | 5EP20SAZ 5EP20ST6 5FP571AZ 5FP571T6 | 1 1 1 1 1 1 1 1 1 1 1 1 1 | | | | | | | SEAT BELT, Front Inner | | |
| | | | | | | | | | | *CL [AZ, C3], Right | |
| | | | | | | | | | | | *F5 [T6], Right |
| | | | | | | | | | | | *F5 [AZ, C3], Right |
| | | | | | | | | | | | *FL [AZ], Right |
| | | | | | | | | | | | *EL [AZ], Right |
| | | | | | | | | | | | *EL [T6], Right |
| | | | | | | | | | | | *CL [T6], Right |
| | | | | | | | | | | | *GL [TG], Right |
| | | | | | | | | | | | *F5 [AZ, C3], Left |
| | | | | | | | | | | | *EL [AZ], Left |
| | | | | | | | | | | | *FL [AZ], Left |
| | | | | | | | | | | | *CL [AZ, C3], Left |
| | | | | | | | | *F5 [T6], Left | | | |
| | | | | | | | | *EL [T6], Left | | | |
| | | | | | | | | *CL [T6], Left | | | |
| | | | | | | | | *GL [TG], Left | | | |
| 5 | 06034383 | 1 | | | | | | *O0 | SCREW, Pan Head, .437-20x1.5 | | |
| 6 | 55314564 55314565 | 1 1 | | | | | | | SHIELD, Seat Belt Retractor Right | | |
| | | | | | | | | | | Left | |
| 7 | 04645780 | 2 | | | | | | | KNOB, Seat Belt Adjuster | | |
| 8 | 06035763 | 2 | | | | | | | SCREW, Turn Loop Attach, .437-20x1.23 | | |
| 9 | 04874129 | 2 | | | | | | | BOLT, Seat Belt, Traveling Inboard Buckle Attaching, Front | | |
| | | | | | | | | | | *F5 | |

GRAND CHEROKEE (ZJ)
 SERIES LINE BODY ENGINE TRANSMISSION
 L = LOWLINE T = JEEP - 2WD 74 = SPORT UTILITY 4-DR ELF = 5.2L V8 MPI Engine DGK = 4-Spd. Automatic 42RE
 J = JEEP - 4WD EML = 5.9L V8 MPI Engine Transmission
 ERH = 4.0L Power Tech I-6 Engine DGW = 4-Spd. Automatic 4RE
 Transmission
 DG0 = Transmissions - All Automatic

Seat Belts Front Seat
Figure IZJ-710

| ITEM | PART NUMBER | QTY | LINE | SERIES | BODY | ENGINE | TRANS | TRIM | DESCRIPTION |
|------|-------------|-----|------|--------|------|--------|-------|------|-------------|
|------|-------------|-----|------|--------|------|--------|-------|------|-------------|



| | | | | | | | | | |
|-----|----------|---|--|--|--|--|--|-----|---------------------|
| | | 2 | | | | | | *EL | |
| | | 2 | | | | | | *CL | |
| | | 2 | | | | | | *GL | |
| | | 2 | | | | | | *FL | |
| -10 | 04740415 | 1 | | | | | | | EXTENDER, Seat Belt |

GRAND CHEROKEE (ZJ)

SERIES LINE
L = LOWLINE T = JEEP - 2WD
J = JEEP - 4WD

BODY
74 = SPORT UTILITY 4-DR

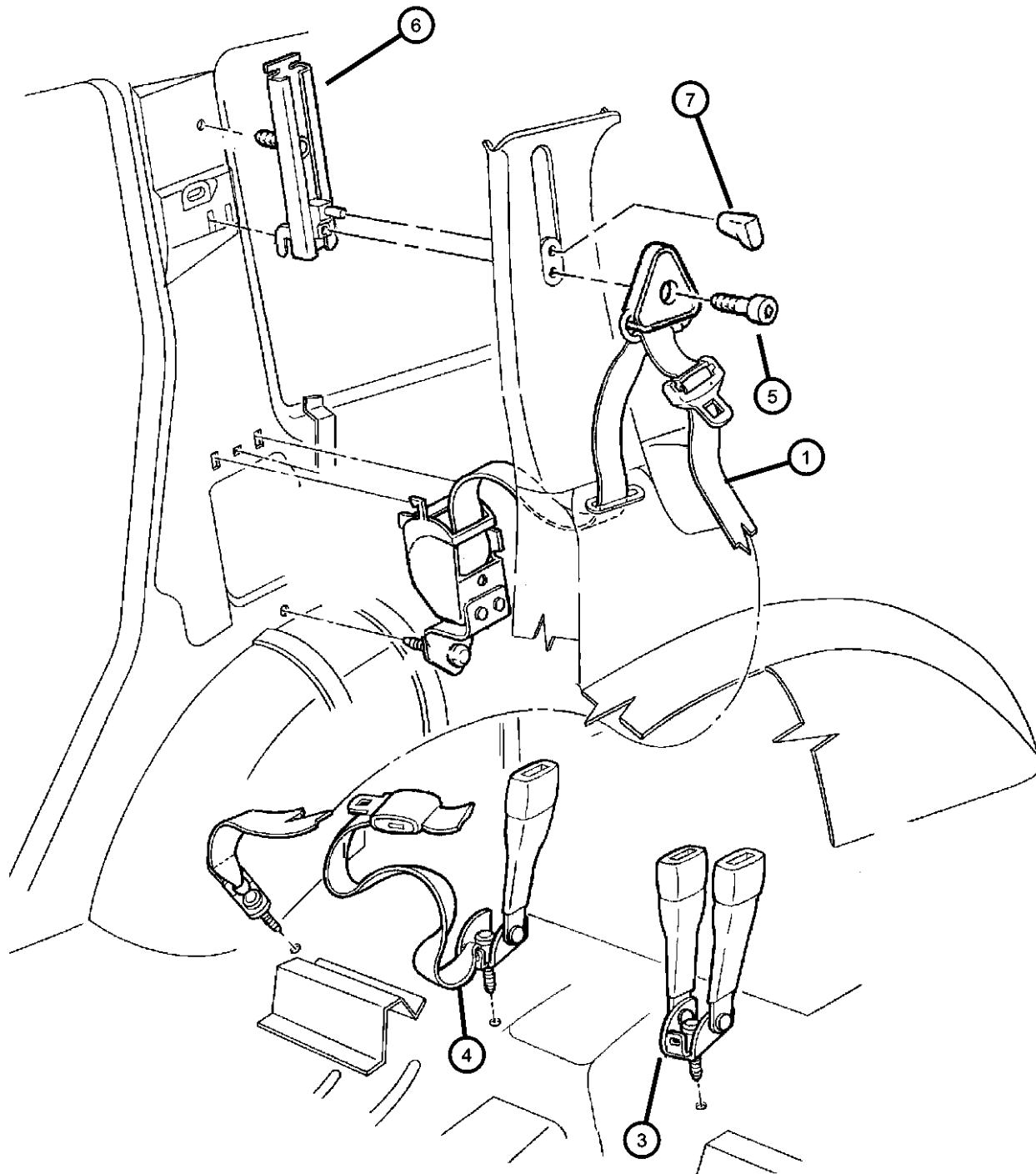
ENGINE
ELF = 5.2L V8 MPI Engine
EML = 5.9L V8 MPI Engine
ERH = 4.0L Power Tech I-6 Engine

TRANSMISSION
DGK = 4-Spd. Automatic 42RE Transmission
DGW = 4-Spd. Automatic 4RE Transmission
DG0 = Transmissions - All Automatic

AR = use ase required - = Non illustrated part

1997 ZJ

**Seat Belts Rear Seat
Figure IZJ-720**



| ITEM | PART NUMBER | QTY | LINE | SERIES | BODY | ENGINE | TRANS | TRIM | DESCRIPTION |
|------|-------------|-----|------|--------|------|--------|-------|------|--|
| 1 | 5EW68SAZ | 1 | | | | | | *00 | SEAT BELT, Rear [AZ, C3], Right |
| | 5EW68ST6 | 1 | | | | | | *00 | [T6, TJ], Right |
| | 5EW69SAZ | 1 | | | | | | *00 | [AZ, C3], Left |
| | 5EW69ST6 | 1 | | | | | | *00 | [T6, TJ], Left |
| -2 | 06034459 | 2 | | | | | | | SCREW, Pan Head, .437-20x1.875 |
| 3 | | | | | | | | | SEAT BELT, Rear Lap Buckle, Includes 2 Buckles With Mounting Bolts |
| | 5EB61RAZ | 1 | | | | | | *00 | [AZ, C3] |
| | 5EB61ST6 | 1 | | | | | | *00 | [T6, TJ] |
| 4 | | | | | | | | | SEAT BELT, Rear Inner, Tip and Buckle With Mounting Bolts |
| | 5EB60RAZ | 1 | | | | | | *00 | [AZ, C3] |
| | 5EB60ST6 | 1 | | | | | | *00 | [T6, TJ] |
| 5 | 06035763 | 2 | | | | | | | SCREW, .437-20x1.23 |
| 6 | 55196527 | 2 | | | | | | | ADJUSTER, Seat Belt Turning Loop |
| 7 | 04645780 | 2 | | | | | | | KNOB, Seat Belt Adjuster |

GRAND CHEROKEE (ZJ)

SERIES LINE
L = LOWLINE T = JEEP - 2WD
 J = JEEP - 4WD

BODY
74 = SPORT UTILITY 4-DR

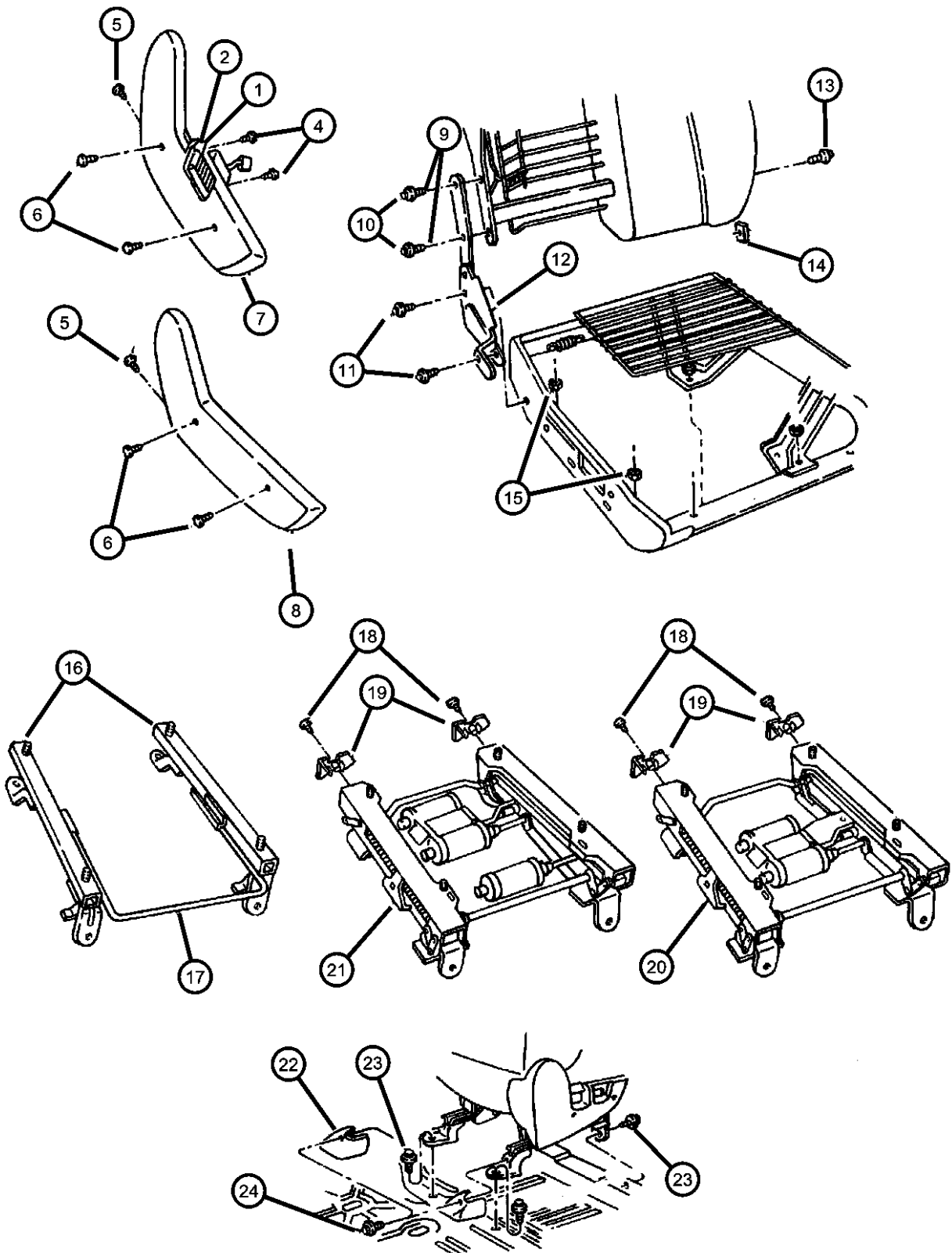
ENGINE
ELF = 5.2L V8 MPI Engine
EML = 5.9L V8 MPI Engine
ERH = 4.0L Power Tech I-6 Engine

TRANSMISSION
DGK = 4-Spd. Automatic 42RE Transmission
DGW = 4-Spd. Automatic 4RE Transmission
DG0 = Transmissions - All Automatic

AR = use ase required - = Non illustrated part

1997 ZJ

**Recliner And Seat Track Front Seat
Figure IZJ-810**



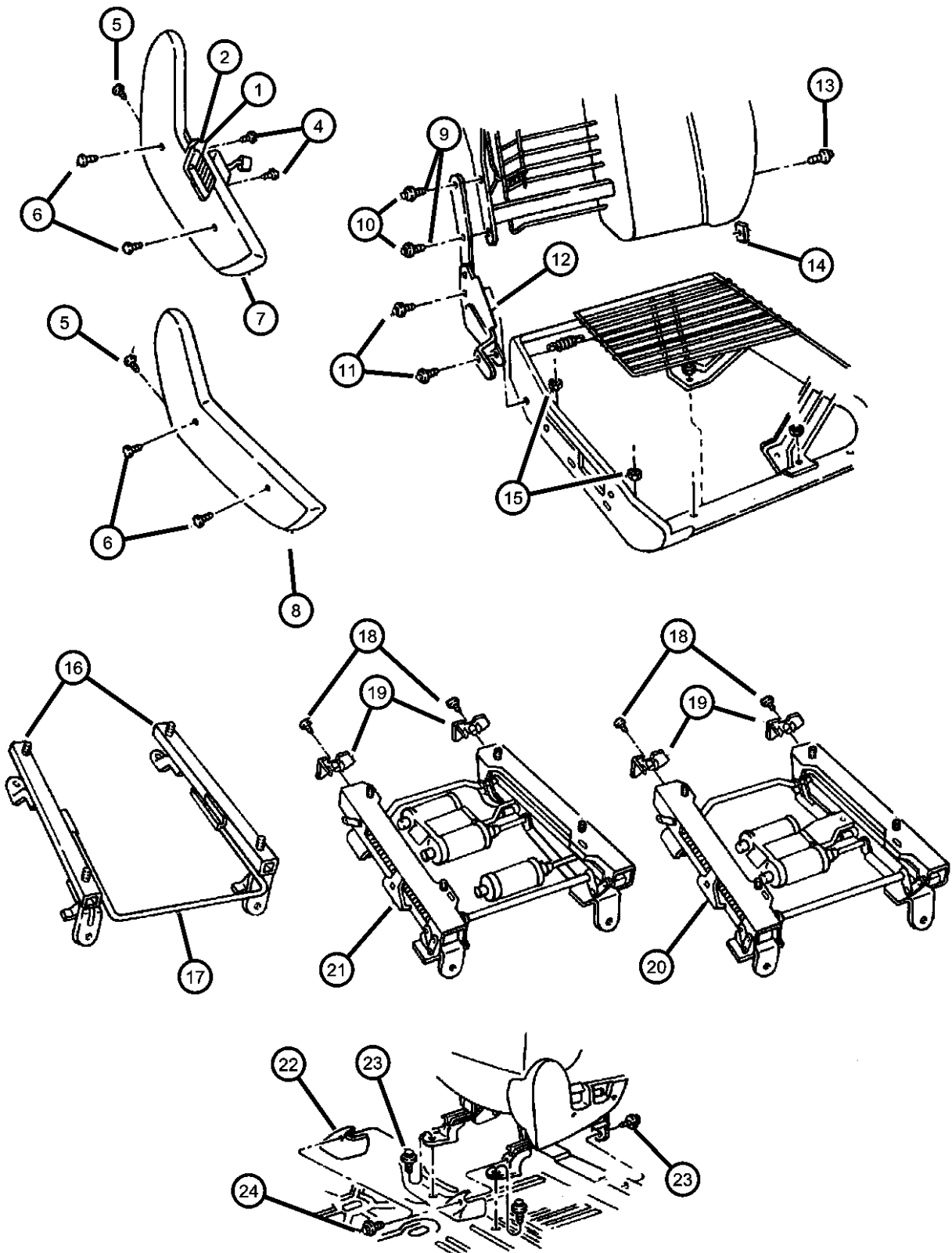
| ITEM | PART NUMBER | QTY | LINE | SERIES | BODY | ENGINE | TRANS | TRIM | DESCRIPTION |
|------|-------------|-----|------|--------|------|--------|-------|------|------------------------------------|
| 1 | | | | | | | | | SWITCH, Seat |
| | 04601756 | 1 | | | | | | | Power Seat and Recliner, Right |
| | 04601757 | 1 | | | | | | | Power Seat and Recliner, Left |
| 2 | 56042064 | 2 | | | | | | | SWITCH, 1 Gang, Power Lumbar |
| -3 | | | | | | | | | KNOB, Power Seat Switch |
| | 04607042 | 1 | | | | | | | Power Seat, Right |
| | 04607043 | 1 | | | | | | | Power Seat, Left |
| | 04607044 | 1 | | | | | | | Recliner, Right |
| | 04607045 | 1 | | | | | | | Recliner, Left |
| 4 | 04607045 | 1 | | | | | | | SCREW, 10-16x.62, (NOT SERVICED), |
| 5 | | | | | | | | | SCREW, Trim, Side Shield Attaching |
| | 04720769 | 2 | | | | | | *F5 | |
| | | 2 | | | | | | *EL | |
| | | 2 | | | | | | *CL | |
| | | 2 | | | | | | *GL | |
| | | 10 | | | | | | *FL | |
| 6 | | | | | | | | | SCREW, Trim, Side Shield Attaching |
| | 04720770 | 4 | | | | | | *F5 | |
| | | 4 | | | | | | *EL | |
| | | 4 | | | | | | *CL | |
| | | 4 | | | | | | *FL | |
| | | 4 | | | | | | *GL | |
| 7 | | | | | | | | | SHIELD, Seat Adjuster |
| | 0PQ18SAZ | 1 | | | | | | *F5 | [AZ], Right |
| | | 1 | | | | | | *CL | [AZ], Right |
| | | 1 | | | | | | *EL | [AZ], Right |
| | | 1 | | | | | | *FL | [AZ], Right |
| | 0PQ18SC3 | 1 | | | | | | *F5 | [C3], Right |
| | | 1 | | | | | | *CL | [C3], Right |
| | | 1 | | | | | | *CL | [C3], Left |
| | 0PQ18ST6 | 1 | | | | | | *F5 | [T6], Right |
| | | 1 | | | | | | *EL | [T6], Right |
| | | 1 | | | | | | *CL | [T6], Right |

GRAND CHEROKEE (ZJ)
 SERIES LINE BODY ENGINE TRANSMISSION
 L = LOWLINE T = JEEP - 2WD 74 = SPORT UTILITY 4-DR ELF = 5.2L V8 MPI Engine DGK = 4-Spd. Automatic 42RE
 J = JEEP - 4WD EML = 5.9L V8 MPI Engine Transmission
 ERH = 4.0L Power Tech I-6 Engine DGW = 4-Spd. Automatic 4RE
 Transmission
 DG0 = Transmissions - All Automatic

AR = use ase required - = Non illustrated part

**Recliner And Seat Track Front Seat
Figure IZJ-810**

| ITEM | PART NUMBER | QTY | LINE | SERIES | BODY | ENGINE | TRANS | TRIM | DESCRIPTION |
|------|-------------|-----|------|--------|------|--------|-------|------|-------------|
|------|-------------|-----|------|--------|------|--------|-------|------|-------------|



| | | | | | | | | | |
|----|----------|---|--|--|--|--|--|-----|--|
| | 0PQ19SAZ | 1 | | | | | | *F5 | [AZ], Left |
| | | 1 | | | | | | *EL | [AZ], Left |
| | | 1 | | | | | | *CL | [AZ], Left |
| | | 1 | | | | | | *GL | [TJ], Right |
| | 0PQ19ST6 | 1 | | | | | | *F5 | [T6], Left |
| | | 1 | | | | | | *CL | [T6], Left |
| | | 1 | | | | | | *GL | [TJ], Left |
| | | 1 | | | | | | *EL | [T6], Left |
| | | 1 | | | | | | *FL | [AZ], Left |
| | 0PQ19SC3 | 1 | | | | | | *F5 | [C3], Left |
| 8 | | | | | | | | | SHIELD, Seat Cushion, Manual Seat |
| | 0PJ62SAZ | 1 | | | | | | *F5 | [AZ], Right |
| | 0PJ62SC3 | 1 | | | | | | *F5 | [C3], Right |
| | 0PJ63ST6 | 1 | | | | | | *F5 | [T6], Left |
| | 0PJ62ST6 | 1 | | | | | | *F5 | [T6], Right |
| | 0PJ63SAZ | 1 | | | | | | *F5 | [AZ], Left |
| | 0PJ63SC3 | 1 | | | | | | *F5 | [C3], Left |
| 9 | 04720768 | 4 | | | | | | *F5 | BOLT, Recliner to Seat BackManual Seat |
| 10 | | | | | | | | | BOLT |
| | 04882903 | 4 | | | | | | *EL | Power Seat |
| | | 4 | | | | | | *CL | Power Seat |
| | | 4 | | | | | | *GL | Power Seat |
| | | 4 | | | | | | *F5 | Power Seat |
| | | 4 | | | | | | *FL | Power Seat |
| 11 | | | | | | | | | BOLT, Recliner To Cushion, Front Seat |
| | 04796793 | 4 | | | | | | *F5 | |
| | | 4 | | | | | | *EL | |
| | | 4 | | | | | | *CL | |
| | | 4 | | | | | | *GL | |
| | | 4 | | | | | | *FL | |
| 12 | | | | | | | | | RECLINER, Seat Back |
| | 04796714 | 1 | | | | | | *F5 | Includes Handle, Manual Seat, Right |

GRAND CHEROKEE (ZJ)

SERIES LINE
L = LOWLINE T = JEEP - 2WD
J = JEEP - 4WD

BODY
74 = SPORT UTILITY 4-DR

ENGINE
ELF = 5.2L V8 MPI Engine
EML = 5.9L V8 MPI Engine
ERH = 4.0L Power Tech I-6 Engine

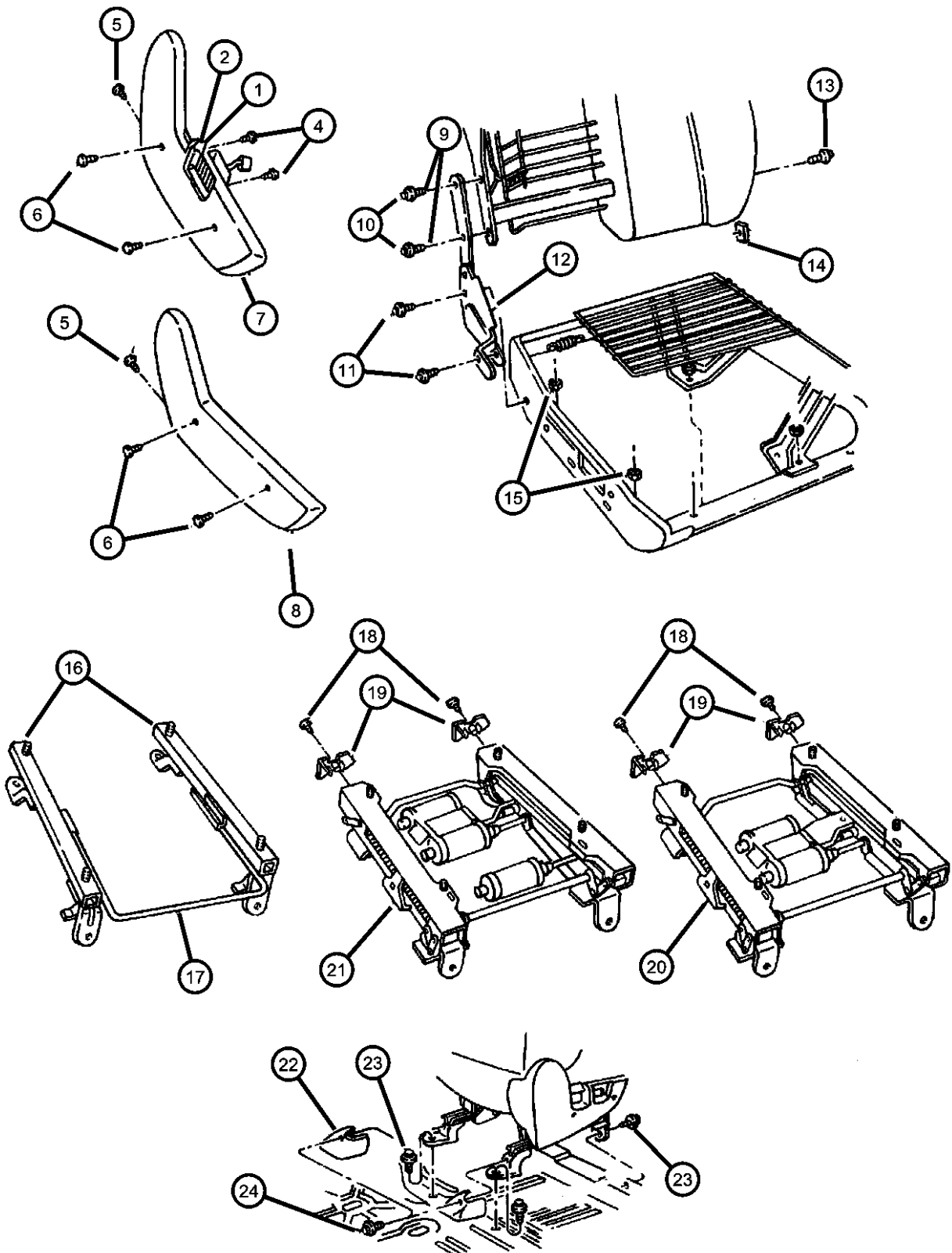
TRANSMISSION
DGK = 4-Spd. Automatic 42RE Transmission
DGW = 4-Spd. Automatic 4RE Transmission
DG0 = Transmissions - All Automatic

AR = use ase required - = Non illustrated part

1997 ZJ

**Recliner And Seat Track Front Seat
Figure IZJ-810**

| ITEM | PART NUMBER | QTY | LINE | SERIES | BODY | ENGINE | TRANS | TRIM | DESCRIPTION |
|------|-------------|-----|------|--------|------|--------|-------|------|-------------|
|------|-------------|-----|------|--------|------|--------|-------|------|-------------|



| | | | | | | | | | |
|----|------------|---|--|--|--|--|--|-----|--|
| | 04796715 | 1 | | | | | | *F5 | Includes Handle, Manual Seat, Left |
| | 04856748 | 1 | | | | | | *FL | Power Seat, Right |
| | | 1 | | | | | | *EL | Power Seat, Right |
| | | 1 | | | | | | *CL | Power Seat |
| | | 1 | | | | | | *GL | Power Seat, Right |
| | 04864861 | 1 | | | | | | *CL | With Memory, Power Seat, Driver |
| | 04856749 | 1 | | | | | | *GL | Power Seat, Left |
| | | 1 | | | | | | *EL | Power Seat, Left |
| | | 1 | | | | | | *FL | Power Seat, Left |
| 13 | | | | | | | | | BOLT, Shoulder, I.B.-Back To Cushion-Pivot |
| | 04797554 | 2 | | | | | | *CL | |
| | | 2 | | | | | | *GL | |
| | | 2 | | | | | | *F5 | |
| | | 2 | | | | | | *EL | |
| | | 2 | | | | | | *FL | |
| 14 | | | | | | | | | U-NUT, Seat Back, Frame |
| | 04713982 | 2 | | | | | | *CL | |
| | | 2 | | | | | | *GL | |
| | | 2 | | | | | | *F5 | |
| | | 2 | | | | | | *EL | |
| | | 2 | | | | | | *FL | |
| 15 | 05101925AA | 8 | | | | | | *O0 | NUT, Seat Adjuster To Cushion |
| 16 | | | | | | | | | ADJUSTER, Manual Seat |
| | 04856551 | 1 | | | | | | *F5 | Passenger Inboard |
| | 04856552 | 1 | | | | | | *F5 | Passenger Outboard |
| | 04856553 | 1 | | | | | | *F5 | Driver, Inboard |
| | 04856554 | 1 | | | | | | *F5 | Driver, Outboard |
| 17 | 04713930 | 2 | | | | | | *F5 | HANDLE, Seat Release |
| 18 | 04713930 | 2 | | | | | | | SCREW, 8-18x.62, (NOT SERVICED) |
| 19 | | | | | | | | | SHIELD, Seat Adjuster |
| | 04723888 | 2 | | | | | | *F5 | Driver, Inboard, Passenger Outboard |
| | | 2 | | | | | | *EL | Driver, Inboard, Passenger Outboard |

GRAND CHEROKEE (ZJ)

SERIES LINE
L = LOWLINE T = JEEP - 2WD
 J = JEEP - 4WD

BODY
74 = SPORT UTILITY 4-DR

ENGINE
ELF = 5.2L V8 MPI Engine
EML = 5.9L V8 MPI Engine
ERH = 4.0L Power Tech I-6 Engine

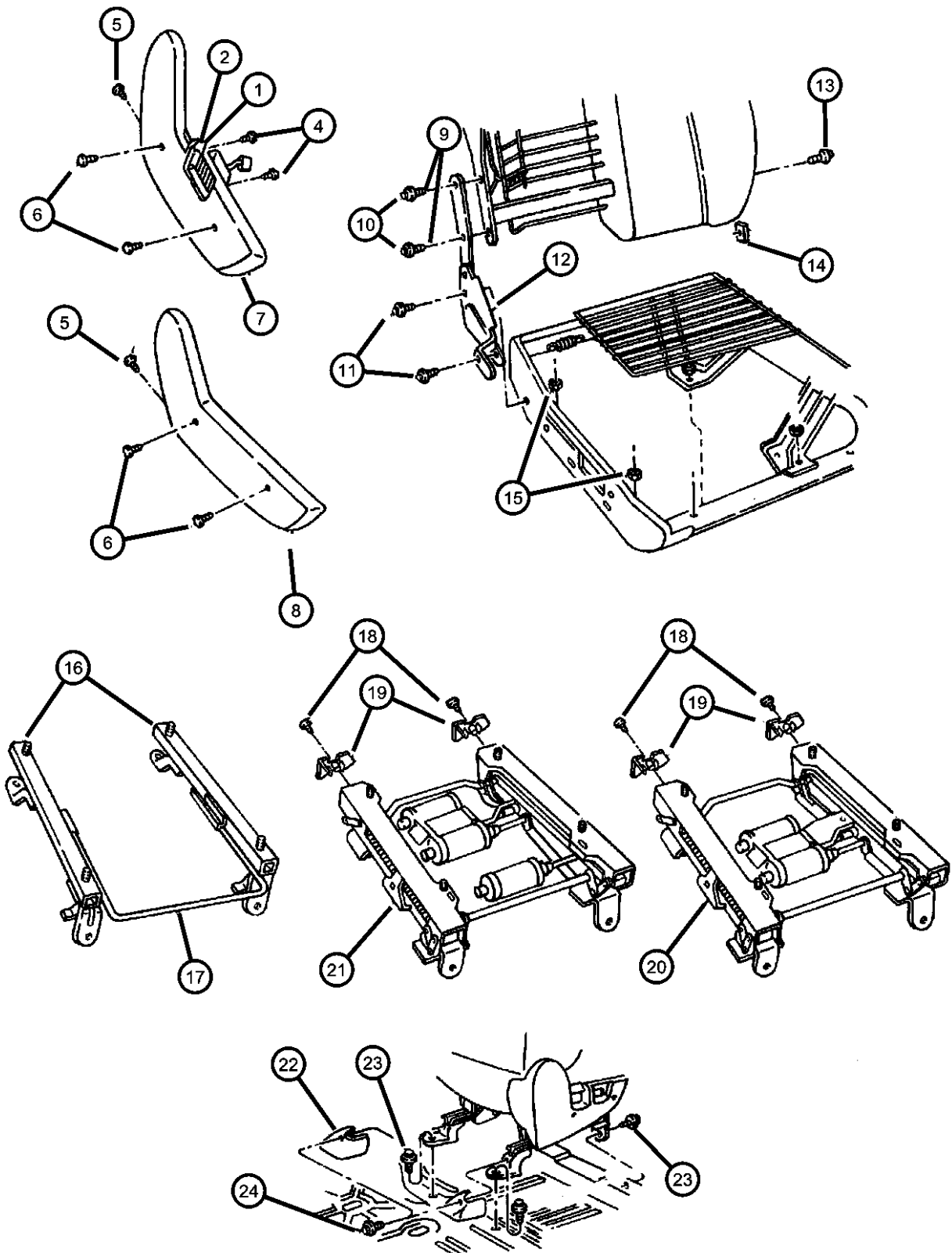
TRANSMISSION
DGK = 4-Spd. Automatic 42RE Transmission
DGW = 4-Spd. Automatic 4RE Transmission
DG0 = Transmissions - All Automatic

AR = use ase required - = Non illustrated part

1997 ZJ

**Recliner And Seat Track Front Seat
Figure IZJ-810**

| ITEM | PART NUMBER | QTY | LINE | SERIES | BODY | ENGINE | TRANS | TRIM | DESCRIPTION |
|------|-------------|-----|------|--------|------|--------|-------|------|-------------|
|------|-------------|-----|------|--------|------|--------|-------|------|-------------|



| | | | | | | | | | |
|----|------------|---|--|--|--|--|--|-----|---|
| | | 2 | | | | | | *CL | Driver, Inboard, Passenger Outboard |
| | | 2 | | | | | | *GL | Driver, Inboard, Passenger Outboard |
| | 04723889 | 2 | | | | | | *F5 | Driver, Outboard, Passenger Inboard |
| | | 2 | | | | | | *CL | Driver, Outboard, Passenger Inboard |
| | | 2 | | | | | | *GL | Driver, Outboard, Passenger Inboard |
| | | 2 | | | | | | *EL | Driver, Outboard, Passenger Inboard |
| | | 2 | | | | | | *FL | Driver, Outboard, Passenger Inboard |
| 20 | | | | | | | | | ADJUSTER, Power Seat, Includes Motor Without Memory |
| | 04856752 | 1 | | | | | | *F5 | Right |
| | | 1 | | | | | | *EL | Right |
| | | 1 | | | | | | *CL | Right |
| | 04897350AA | 1 | | | | | | *EL | One Electrical Connector on Horizontal Motor, Left |
| | | 1 | | | | | | *FL | One Electrical Connector on Horizontal Motor, Left |
| | | 1 | | | | | | *GL | Right |
| | | 1 | | | | | | *FL | Right |
| | | 1 | | | | | | *F5 | One Electrical Connector on Horizontal Motor, Left |
| 21 | | | | | | | | | ADJUSTER, Power Seat, Power With Memory, Includes Motor, Left Only, 2 Electrical Connectors on Horizontal Motor |
| | 04897351AA | 1 | | | | | | *CL | |
| | | 1 | | | | | | *GL | |
| 22 | | | | | | | | | COVER, Power Seat Track |
| | 5CC16SAZ | 4 | | | | | | *O0 | [AZ] |
| | 5CC16SC3 | 4 | | | | | | *O0 | [C3] |
| | 5CC16ST6 | 4 | | | | | | *O0 | [T6, TJ] |
| 23 | 06501093 | 8 | | | | | | | SCREW AND WASHER, Hex Head, M8x1.25x40, Seat Adjuster to Floor |
| 24 | 00153749 | 4 | | | | | | | SCREW, .164-15x.750, Power Seat Track Cover Attach |

| | | | | | | | |
|----------------------------|----------------|-------------------------|--|----------------------------------|--|-------------------------------------|--|
| GRAND CHEROKEE (ZJ) | | | | | | | |
| SERIES | LINE | BODY | | ENGINE | | TRANSMISSION | |
| L = LOWLINE | T = JEEP - 2WD | 74 = SPORT UTILITY 4-DR | | ELF = 5.2L V8 MPI Engine | | DGK = 4-Spd. Automatic 42RE | |
| | J = JEEP - 4WD | | | EML = 5.9L V8 MPI Engine | | Transmission | |
| | | | | ERH = 4.0L Power Tech I-6 Engine | | DGW = 4-Spd. Automatic 4RE | |
| | | | | | | Transmission | |
| | | | | | | DG0 = Transmissions - All Automatic | |

AR = use ase required - = Non illustrated part

Panels, Liftgate And Scuff Plate
Figure IZJ-1010

| ITEM | PART NUMBER | QTY | LINE | SERIES | BODY | ENGINE | TRANS | TRIM | DESCRIPTION |
|------|-------------|-----|------|--------|------|--------|-------|------|--|
| 1 | 5FB81SAZ | 1 | | | | | | *00 | PANEL, Liftgate |
| | 5FB81SC3 | 1 | | | | | | *00 | [AZ], Without Flipper Backlite |
| | 5FB81ST6 | 1 | | | | | | *00 | [C3], Without Flipper Backlite |
| | 5FC72SAZ | 1 | | | | | | *00 | [TJ, T6], Without Flipper Backlite |
| | 5FC72SC3 | 1 | | | | | | *00 | [AZ], With Flipper Backlite |
| | 5FC72ST6 | 1 | | | | | | *00 | [C3], With Flipper Backlite |
| -2 | 06504188 | 2 | | | | | | *00 | [TJ, T6], With Flipper Backlite |
| | | | | | | | | *00 | PIN, Push |
| 3 | 5EZ50SAZ | 1 | | | | | | *00 | PANEL, Liftgate Lower |
| | 5EZ50SC3 | 1 | | | | | | *00 | [AZ] |
| | 5EZ50ST6 | 1 | | | | | | *00 | [C3] |
| -4 | 34202599 | 2 | | | | | | *00 | [TJ, T6] |
| -5 | 06502991 | 4 | | | | | | *00 | FASTENER, Trim Panel Attaching |
| 6 | 06032723 | 2 | | | | | | *00 | FASTENER, M7.1 Hole Push In |
| | | | | | | | | *00 | SCREW, Self Tapping, M4.2x1.69x19.05, Trim Panel Attaching |
| 7 | 55030746 | 1 | | | | | | | PLATE, Rear Door Scuff |
| | 55030747 | 1 | | | | | | | Right |
| | | | | | | | | | Left |
| 8 | 55030744 | 1 | | | | | | | PLATE, Front Door Scuff |
| | 55030745 | 1 | | | | | | | Right |
| | | | | | | | | | Left |
| 9 | 5FM39SAZ | 1 | | | | | | *00 | PANEL, Liftgate, Liftgate Opening Upper (includes lamp assembly with bulb, louvers and clips), Paint as Required |
| -10 | 5CU00SAZ | 4 | | | | | | *00 | LOUVER, Liftgate, Liftgate Opening Moulding, Paint as Required |
| -11 | L0000561 | 1 | | | | | | | BULB, 561, Liftgate Opening Moulding Lamp |
| 12 | 5DG71SAZ | 1 | | | | | | *00 | PANEL, Liftgate Opening |
| | 5DG71SC3 | 1 | | | | | | *00 | [AZ], Lower |
| | 5DG71ST6 | 1 | | | | | | *00 | [C3], Lower |
| 13 | 06033718 | 4 | | | | | | | [TJ, T6], Lower |
| 14 | 00153459 | 2 | | | | | | | SCREW, Tapping, .19-16x.625 |
| | | | | | | | | | SCREW, Oval Head, .164-18x1 |

GRAND CHEROKEE (ZJ)

SERIES LINE
L = LOWLINE T = JEEP - 2WD
J = JEEP - 4WD

BODY
74 = SPORT UTILITY 4-DR

ENGINE
ELF = 5.2L V8 MPI Engine
EML = 5.9L V8 MPI Engine
ERH = 4.0L Power Tech I-6 Engine

TRANSMISSION
DGK = 4-Spd. Automatic 42RE Transmission
DGW = 4-Spd. Automatic 4RE Transmission
DG0 = Transmissions - All Automatic

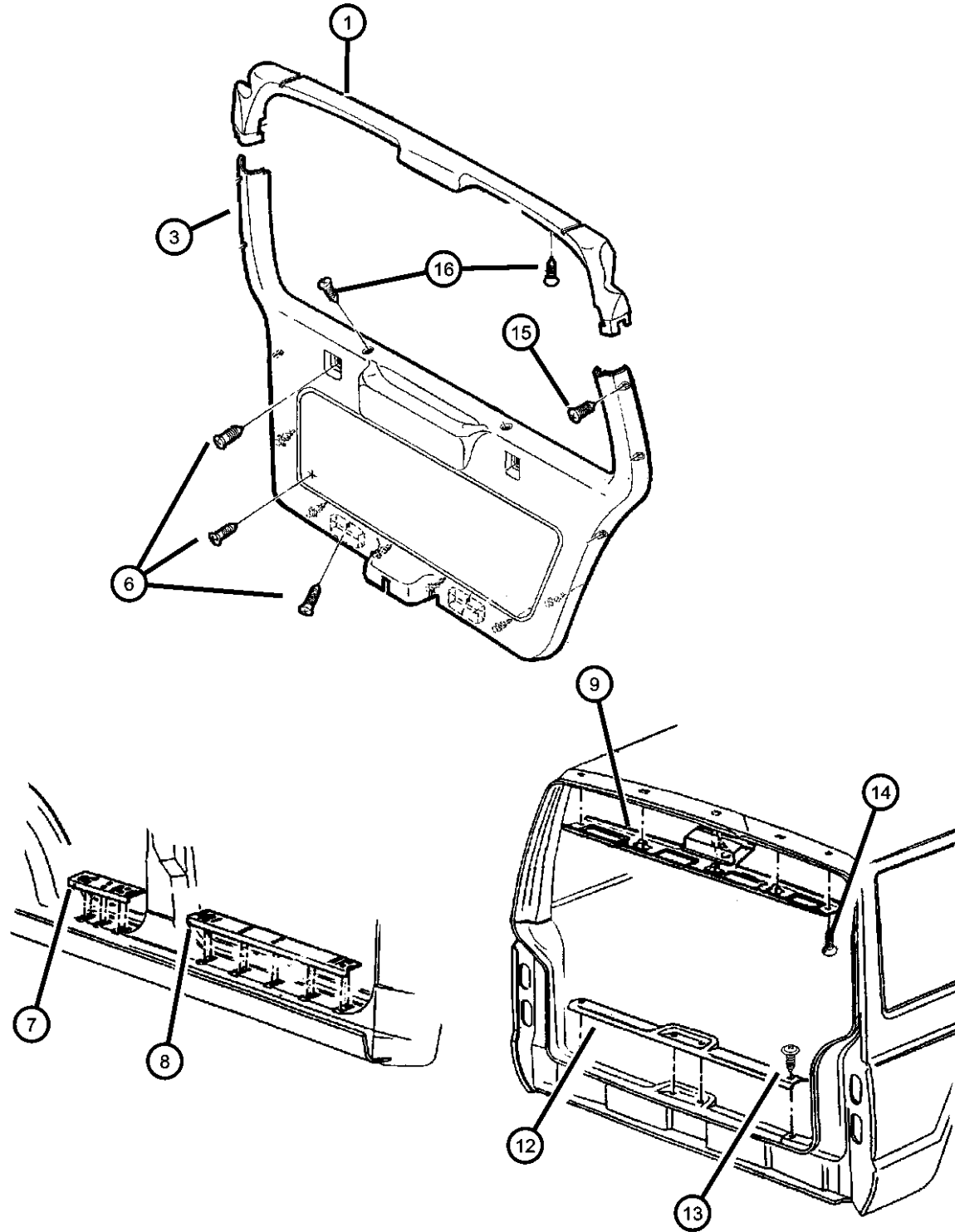
AR = use ase required - = Non illustrated part

1997 ZJ

**Panels, Liftgate And Scuff Plate
Figure IZJ-1010**

| ITEM | PART NUMBER | QTY | LINE | SERIES | BODY | ENGINE | TRANS | TRIM | DESCRIPTION |
|------|-------------|-----|------|--------|------|--------|-------|------|-------------|
|------|-------------|-----|------|--------|------|--------|-------|------|-------------|

| | | | | | | | | | |
|-----|----------|---|--|--|--|--|--|--|--|
| 15 | 00154792 | 6 | | | | | | | SCREW, .164-18x1.00 |
| 16 | 00154792 | 6 | | | | | | | SCREW, M4.2x1.41x52.80, (NOT SERVICED) |
| -17 | 55216485 | 1 | | | | | | | INSULATION, Liftgate, Water Shield |



GRAND CHEROKEE (ZJ)

| | | | | |
|-------------|----------------------------------|-------------------------|--|--|
| SERIES | LINE | BODY | ENGINE | TRANSMISSION |
| L = LOWLINE | T = JEEP - 2WD J = JEEP - 4WD | 74 = SPORT UTILITY 4-DR | ELF = 5.2L V8 MPI Engine EML = 5.9L V8 MPI Engine ERH = 4.0L Power Tech I-6 Engine | DGK = 4-Spd. Automatic 42RE Transmission DGW = 4-Spd. Automatic 4RE Transmission DG0 = Transmissions - All Automatic |

AR = use ase required - = Non illustrated part

Group - SZJ

Body Sheet Metal Except Doors

Group - SZJ Body Sheet Metal Except Doors

Group-Fig. No.

Illustration Title

Floor Pans

Pans, Floor Fig. SZJ - 210
 Front End Skid Plates..... Fig. SZJ - 220

Plugs

Plugs, Body Fig. SZJ - 310

Front Fenders

Fenders, Front..... Fig. SZJ - 410
 Panels, Front End Inner And Wheelhouse Fig. SZJ - 420

Hood and Hood Release

Hood, Latch And Hinges..... Fig. SZJ - 510

Cowl and Dash Panel

Panels, Cowl And Dash..... Fig. SZJ - 610

Glass and Rear View Mirror

Glass, Windshield, Quarter And Rear View Mirror..... Fig. SZJ - 710
 Glass, Backlite..... Fig. SZJ - 720

Aperture Panel

Panels, Body Side..... Fig. SZJ - 810

Quarter Panel and Pillars

Panels, Rear Quarter Fig. SZJ - 910

Roof Panels

Panels, Roof..... Fig. SZJ - 1110

Sunroof

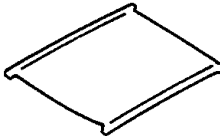

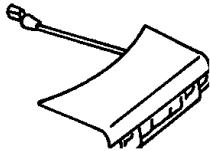
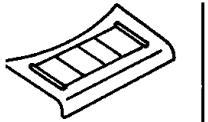
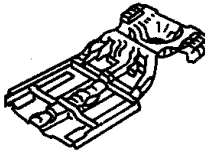

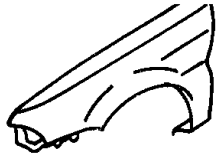
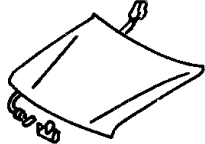
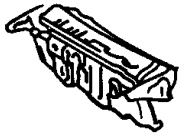

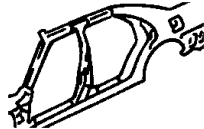
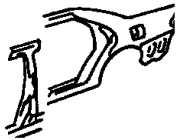
Sunroof Component Parts..... Fig. SZJ - 1210

Liftgate Panel

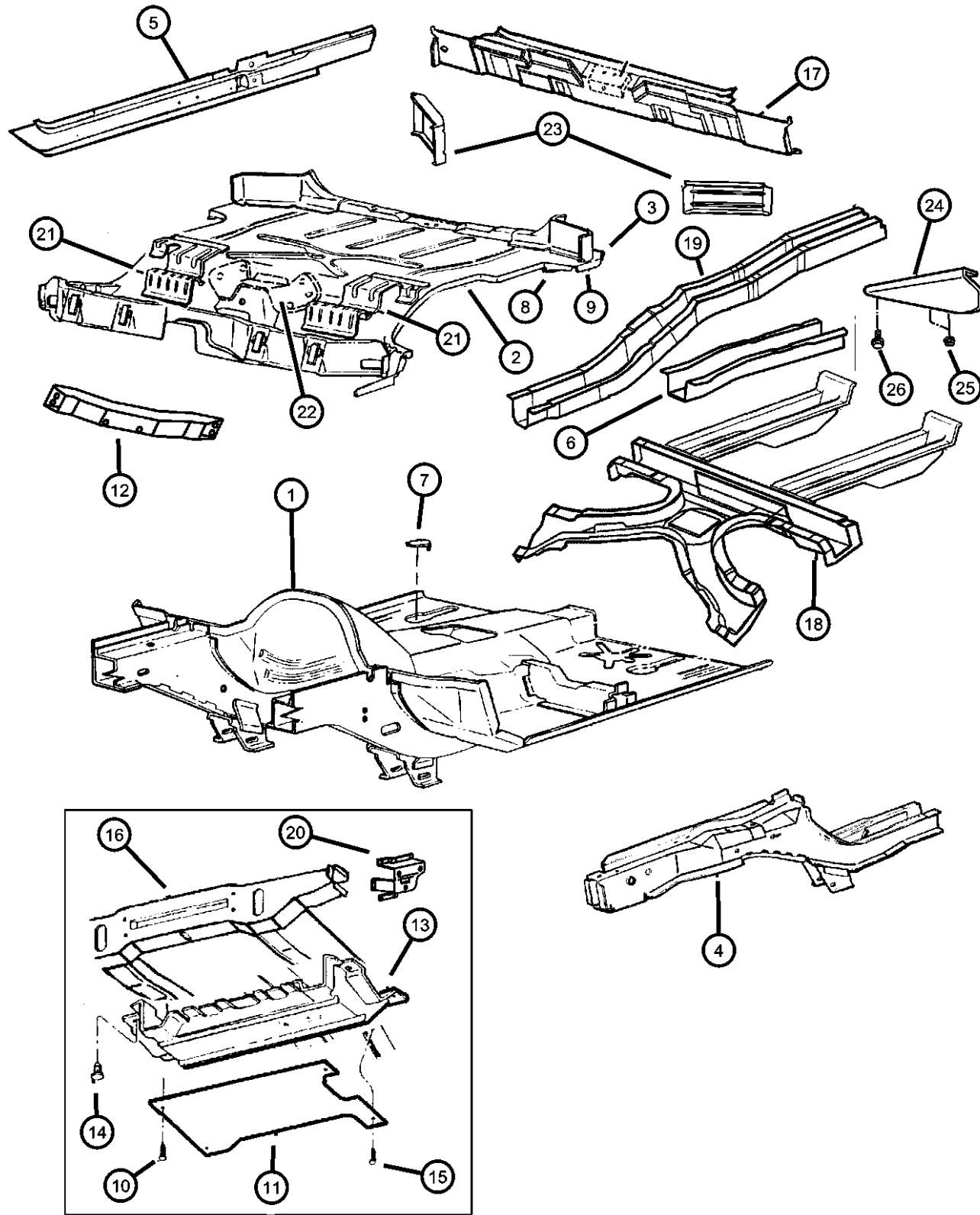
Lift Door, Latch And Hinges Fig. SZJ - 1310

Luggage Rack

Roof Rack, Laredo, Limited Fig. SZJ - 1610
 Roof Rack, Limited 5.9 Package Fig. SZJ - 1620

| | | | |
|---|--|---|---|
| <p>SZJ-1100 Roof Panels</p>  | <p>SZJ-1200 Sunroof</p>  | <p>SZJ-1300 Liftgate Panel</p>  | <p>SZJ-1600 Luggage Rack</p>  |
| <p>SZJ-200 Floor Pans</p>  | <p>SZJ-300 Plugs</p>  | <p>SZJ-400 Front Fenders</p>  | <p>SZJ-500 Hood and Hood Release</p>  |
| <p>SZJ-600 Cowl and Dash Panel</p>  | <p>SZJ-700 Glass and Rear View Mirror</p>  | <p>SZJ-800 Aperture Panel</p>  | <p>SZJ-900 Quarter Panel and Pillars</p>  |

Pans, Floor
Figure SZJ-210



| ITEM | PART NUMBER | QTY | LINE | SERIES | BODY | ENGINE | TRANS | TRIM | DESCRIPTION |
|------|-------------|-----|------|--------|------|--------|-------|------|--|
| 1 | 55296104 | 1 | | | | | | | PAN, FloorFront |
| 2 | 04886037AB | 1 | | | | | | | PAN, Rear Floor |
| 3 | | | | | | | | | BRACE, Liftgate Opening To Floor |
| | 55031440 | 1 | | | | | | | Right |
| | 55031441 | 1 | | | | | | | Left |
| 4 | | | | | | | | | PANEL, Sill |
| | 04746172 | 1 | | | | | | | Right, Front |
| | 04746173 | 1 | | | | | | | Left, Front |
| 5 | | | | | | | | | SILL, Body Side |
| | 55295740 | 1 | | | | | | | Right |
| | 55295741 | 1 | | | | | | | Left |
| 6 | 55234743 | 2 | | | | | | | PANEL, SillCenter |
| 7 | 04586055 | 18 | | | | | | | PLUG, Floor Pan |
| 8 | 56006276 | 2 | | | | | | | PLUG, Body, 44.45mm X 31.75mm |
| 9 | 55075527 | 2 | | | | | | | PLUG, Sunroof Drain Hose, With Valve |
| 10 | 55075527 | 2 | | | | | | | RETAINER, (NOT SERVICED) |
| 11 | 55346021 | 1 | | | | | | | SHIELD, Splash, Underbody |
| 12 | 52058765 | 1 | | | | | | | CROSSMEMBER, Transmission |
| 13 | 55035951 | 1 | | | | | | | DEFLECTOR, RadiatorLower |
| 14 | 06503221 | 4 | | | | | | | PIN, Air Deflector |
| 15 | 06030441 | 1 | | | | | | | PIN, Retainer, Radiator Baffle |
| 16 | 55255200 | 1 | | | | | | | CROSSMEMBER, Front SuspensionFront Lower |
| 17 | 04741365 | 1 | | | | | | | SIDEMEMBER, FloorRear |
| 18 | 04883958AA | 1 | | | | | | | SIDEMEMBER, FloorFuel Tank |
| 19 | | | | | | | | | SILL, Rear |
| | 04796684 | 1 | | | | | | | Right |
| | 04796685 | 1 | | | | | | | Left |
| 20 | | | | | | | | | BRACKET, Fascia to Fender |
| | 55032816 | 1 | | | | | | | Right |
| | 55032817 | 1 | | | | | | | Left |
| 21 | 55254989 | 2 | | | | | | | STRIKER, Seat Cushion Latch |
| 22 | 55255813 | 2 | | | | | | | REINFORCEMENT, Seat Belt Anchor |
| 23 | | | | | | | | | REINFORCEMENT, Sill |

GRAND CHEROKEE (ZJ)

SERIES LINE
L = LOWLINE T = JEEP - 2WD
J = JEEP - 4WD

BODY
74 = SPORT UTILITY 4-DR

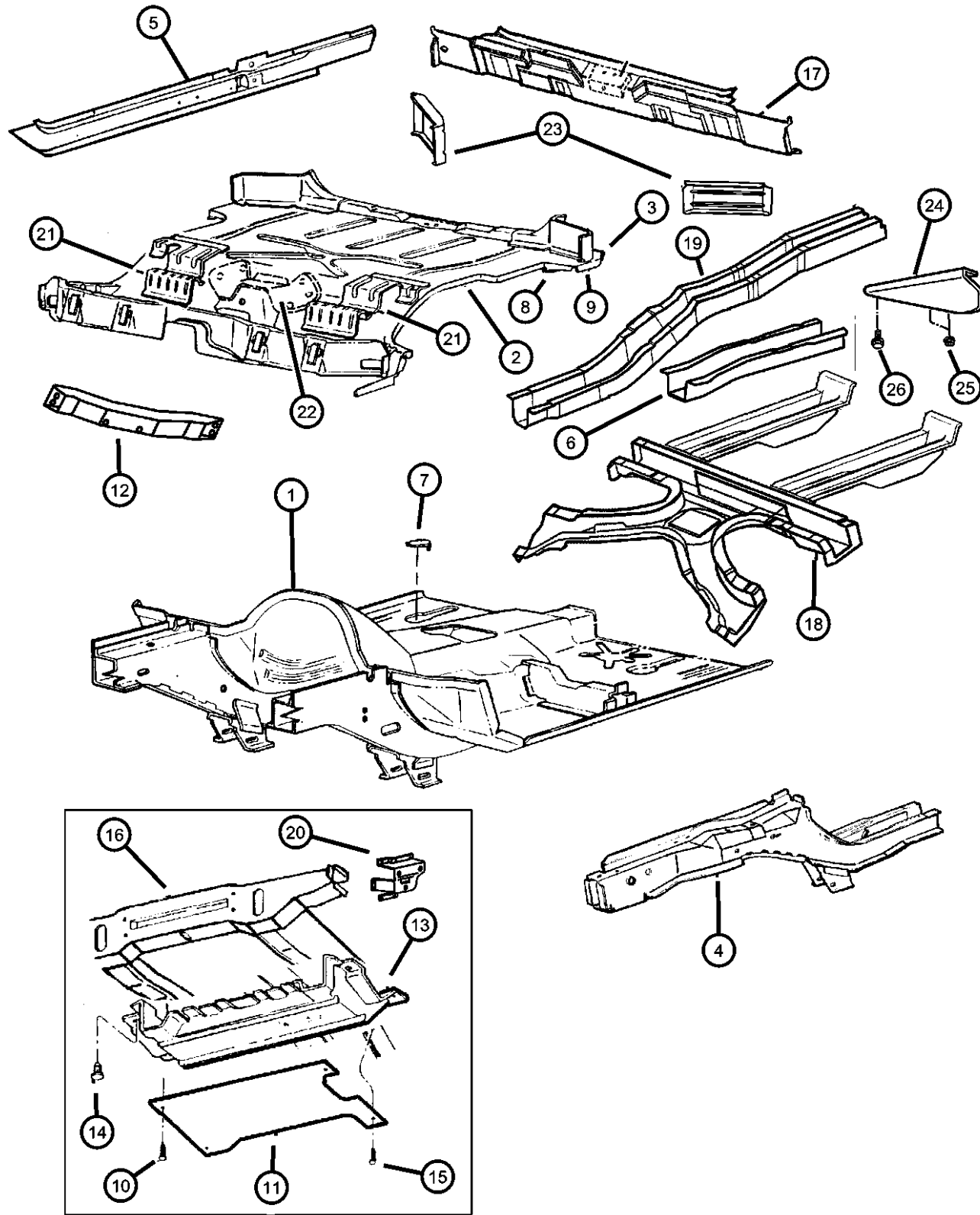
ENGINE
ELF = 5.2L V8 MPI Engine
EML = 5.9L V8 MPI Engine
ERH = 4.0L Power Tech I-6 Engine

TRANSMISSION
DGK = 4-Spd. Automatic 42RE Transmission
DGW = 4-Spd. Automatic 4RE Transmission
DG0 = Transmissions - All Automatic

AR = use ase required - = Non illustrated part

1997 ZJ

Pans, Floor
Figure SZJ-210



| ITEM | PART NUMBER | QTY | LINE | SERIES | BODY | ENGINE | TRANS | TRIM | DESCRIPTION |
|------|-------------|-----|------|--------|------|--------|-------|------|----------------------------------|
| | 55034314 | 1 | | | | | | | Right |
| | 55034315 | 1 | | | | | | | Left |
| 24 | 52059128AA | 1 | | | | | | | PLATE, Tow Hook |
| 25 | 06100056 | 2 | | | | | | | NUT AND WASHER, Hex, M12x1.75 |
| 26 | 06101102 | 2 | | | | | | | BOLT, Hex Head, M12x1.75x45 |

GRAND CHEROKEE (ZJ)

SERIES LINE
L = LOWLINE T = JEEP - 2WD
J = JEEP - 4WD

BODY
74 = SPORT UTILITY 4-DR

ENGINE
ELF = 5.2L V8 MPI Engine
EML = 5.9L V8 MPI Engine
ERH = 4.0L Power Tech I-6
Engine

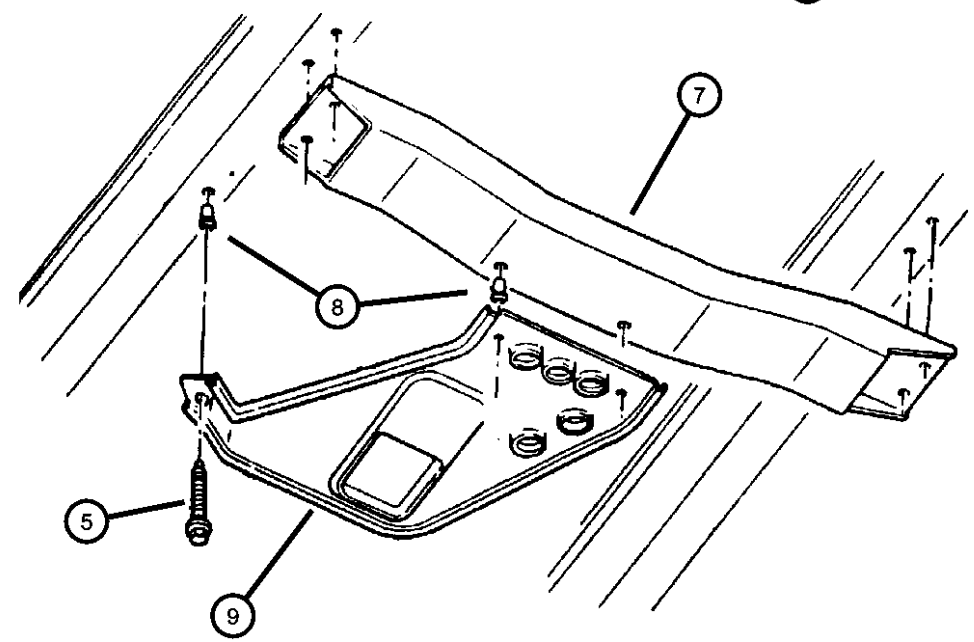
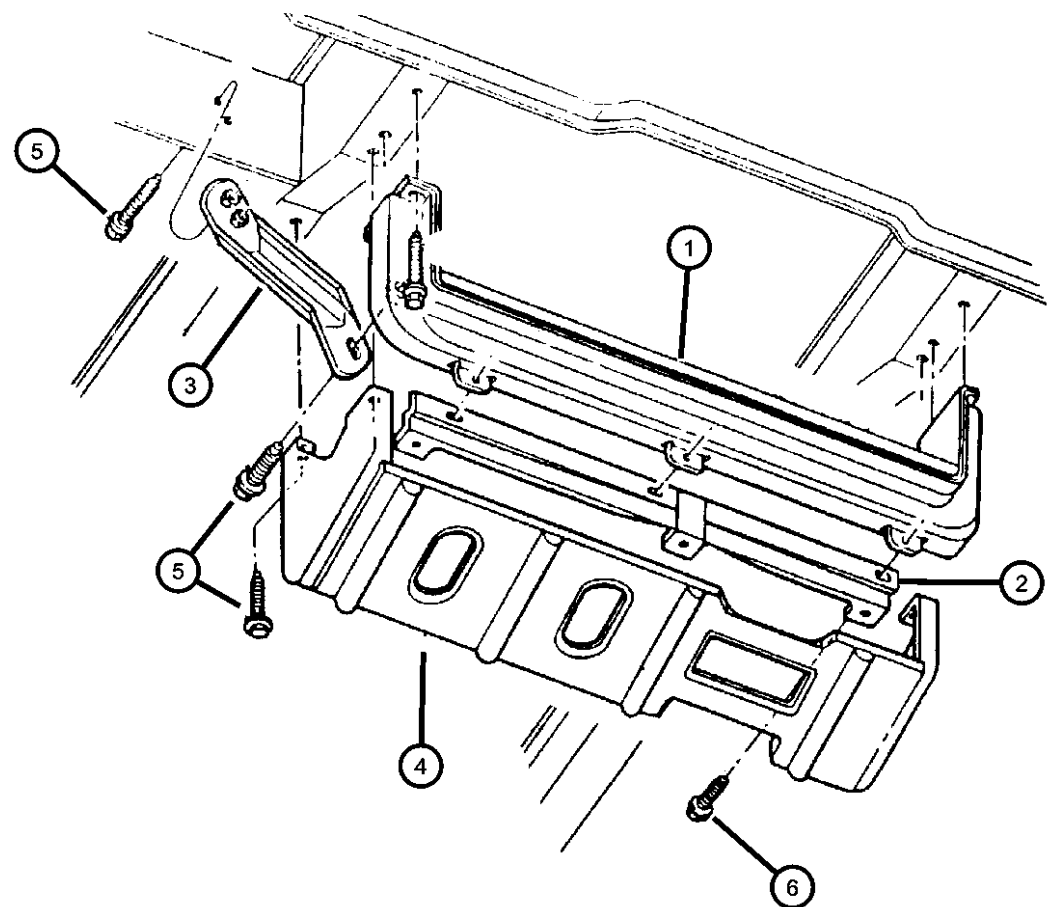
TRANSMISSION
DGK = 4-Spd. Automatic 42RE
Transmission
DGW = 4-Spd. Automatic 4RE
Transmission
DG0 = Transmissions - All Automatic

AR = use ase required - = Non illustrated part

1997 ZJ

**Front End Skid Plates
Figure SZJ-220**

| ITEM | PART NUMBER | QTY | LINE | SERIES | BODY | ENGINE | TRANS | TRIM | DESCRIPTION |
|------|-------------|-----|------|--------|------|--------|-------|------|-----------------------------------|
| 1 | 52058196 | 1 | | | | | | | CROSSMEMBER, RadiatorLower |
| 2 | 52058271 | 1 | | | | | | | BRACKET, Fascia |
| 3 | | | | | | | | | SUPPORT, Headlamp Panel |
| | 52057506 | 1 | | | | | | | Right |
| | 52057507 | 1 | | | | | | | Left |
| 4 | 82201700 | 1 | J | | | | | | PLATE PACKAGE, Skid - Front |
| 5 | 82201700 | 1 | | | | | | | SCREW, M10x1.5x35, (NOT SERVICED) |
| 6 | 82201700 | 1 | | | | | | | SCREW, 10x 5/8, (NOT SERVICED) |
| 7 | 52058765 | 1 | | | | | | | CROSSMEMBER, Transmission |
| 8 | 06502662 | 3 | J | | | | | | NUT, Insert, M10x1.5x17.5 |
| 9 | 52058876 | 1 | J | | | | | | SKID PLATE, Support |



GRAND CHEROKEE (ZJ)

SERIES LINE
 L = LOWLINE T = JEEP - 2WD
 J = JEEP - 4WD

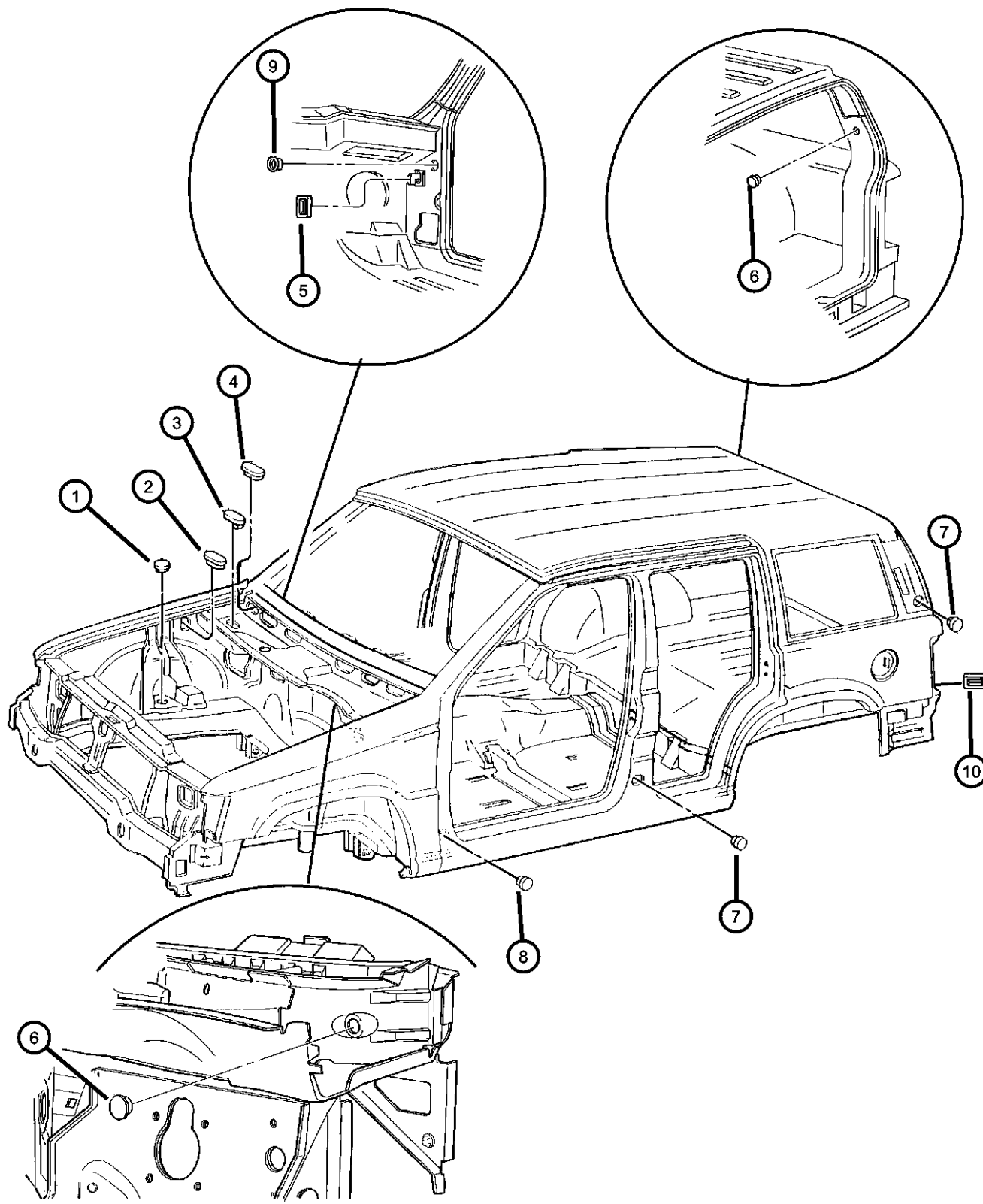
BODY
 74 = SPORT UTILITY 4-DR

ENGINE
 ELF = 5.2L V8 MPI Engine
 EML = 5.9L V8 MPI Engine
 ERH = 4.0L Power Tech I-6 Engine

TRANSMISSION
 DGK = 4-Spd. Automatic 42RE Transmission
 DGW = 4-Spd. Automatic 4RE Transmission
 DG0 = Transmissions - All Automatic

AR = use ase required - = Non illustrated part

Plugs, Body
Figure SZJ-310



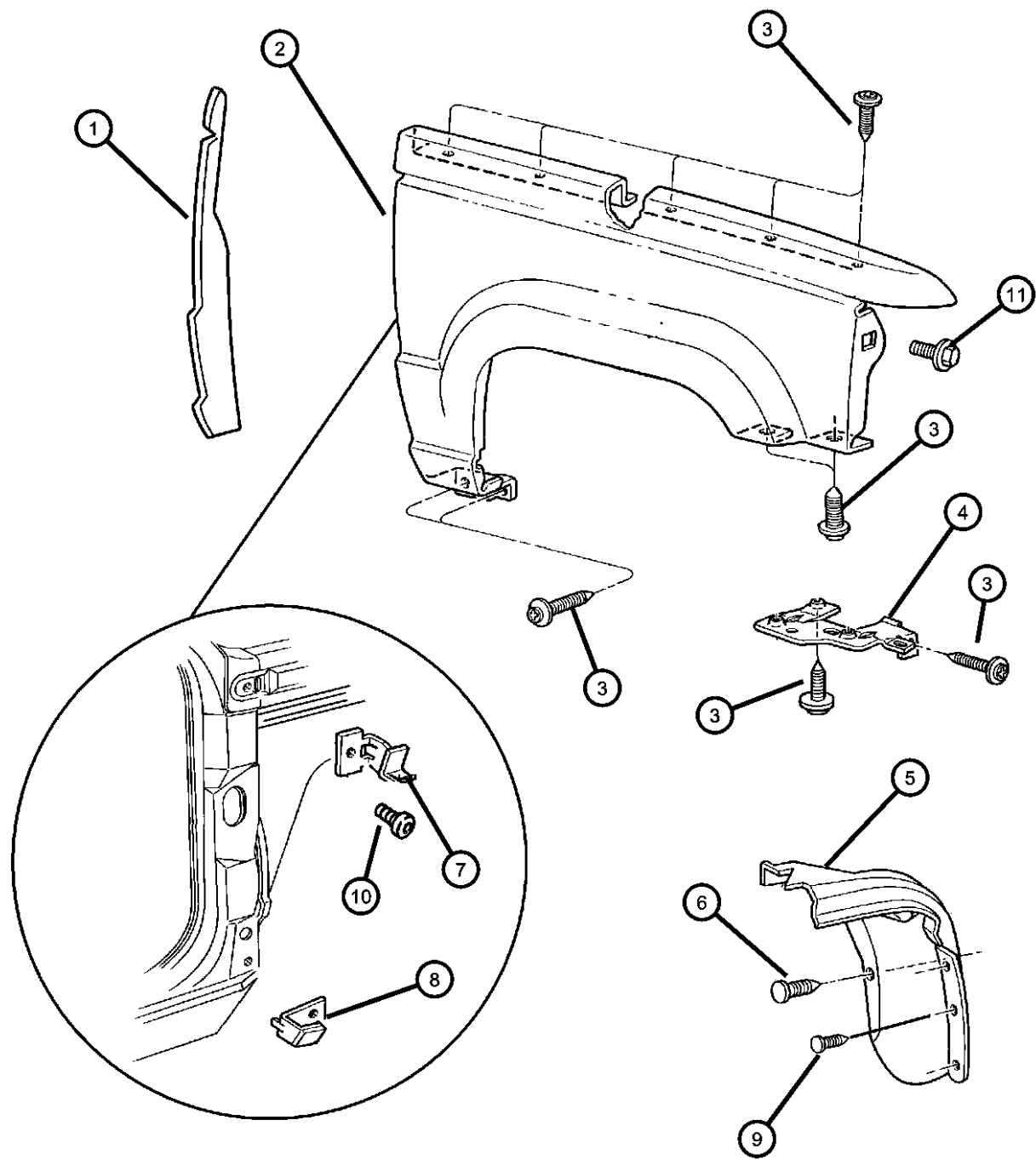
| ITEM | PART NUMBER | QTY | LINE | SERIES | BODY | ENGINE | TRANS | TRIM | DESCRIPTION |
|------|-------------|-----|------|--------|------|--------|-------|------|--|
| 1 | 04084000 | 4 | | | | | | | PLUG, Hood |
| 2 | 06004507 | 2 | | | | | | | PLUG, Body, 25.4mm x 38.1mm, Rubber Cowl Side |
| 3 | 04586055 | 1 | | | | | | | PLUG, Floor Pan, Plenum |
| 4 | 55002368 | 1 | | | | | | | PLUG, Door Latch, Oval |
| 5 | 55295694 | 2 | | | | | | | PLUG, Sealing, Cowl Side, Rectangular |
| 6 | 02860332 | 2 | | | | | | | PLUG, Anti-Rattle, [D] Pillar |
| 7 | 34202804 | 4 | | | | | | | PLUG, Body, .638 x .717 Plastic, Oval |
| 8 | 04780194 | 2 | | | | | | | PLUG, Round |
| 9 | 55254958 | 1 | | | | | | | PLUG, Sealing |
| 10 | 56006276 | 2 | | | | | | | PLUG, Body, 44.45mm X 31.75mm, Rear Quarter Panel, Without Trailer Harness |

GRAND CHEROKEE (ZJ)

| | | | | |
|-------------|----------------------------------|-------------------------|--|--|
| SERIES | LINE | BODY | ENGINE | TRANSMISSION |
| L = LOWLINE | T = JEEP - 2WD J = JEEP - 4WD | 74 = SPORT UTILITY 4-DR | ELF = 5.2L V8 MPI Engine EML = 5.9L V8 MPI Engine ERH = 4.0L Power Tech I-6 Engine | DGK = 4-Spd. Automatic 42RE Transmission DGW = 4-Spd. Automatic 4RE Transmission DG0 = Transmissions - All Automatic |

AR = use ase required - = Non illustrated part

Fenders, Front
Figure SZJ-410



| ITEM | PART NUMBER | QTY | LINE | SERIES | BODY | ENGINE | TRANS | TRIM | DESCRIPTION |
|------|-------------|-----|------|--------|------|--------|-------|------|---|
| 1 | | | | | | | | | SEAL, Fender To Cowl |
| | 55134804 | 1 | | | | | | | Right |
| | 55134805 | 1 | | | | | | | Left |
| 2 | | | | | | | | | FENDER |
| | 55031834 | 1 | | | | | | | Right |
| | 55031835 | 1 | | | | | | | Left |
| 3 | 06503686 | 18 | | | | | | | SCREW, Torx Round Head, M6-1.0x20.0 |
| 4 | | | | | | | | | BRACKET, Fender |
| | 55033572 | 1 | | | | | | | Right |
| | 55033573 | 1 | | | | | | | Left |
| 5 | | | | | | | | | LINER, Front Fender |
| | 55295592 | 1 | | | | | | | Right |
| | 55295593 | 1 | | | | | | | Left |
| 6 | 06030441 | 12 | | | | | | | PIN, Retainer, Fender Liner to Panel |
| 7 | | | | | | | | | REINFORCEMENT, Fender |
| | 55254798 | 1 | | | | | | | Right, Upper Rear |
| | 55254799 | 1 | | | | | | | Left, Upper Rear |
| 8 | | | | | | | | | REINFORCEMENT, Fender |
| | 55254660 | 1 | | | | | | | Right, Lower Rear |
| | 55254661 | 1 | | | | | | | Left, Lower Rear |
| 9 | 34201631 | 6 | | | | | | | RIVET, M6.25x28 Black, Plastic |
| 10 | 06503187 | 4 | | | | | | | SCREW, Round Head Tapping, M6x1x11, Attach Fender Reinforcement Bracket to Body |
| 11 | 06101777 | 3 | | | | | | | SCREW, Hex Flange Head Tapping, M6x1.00x20.00, Attach Lamp to Crossmember |

GRAND CHEROKEE (ZJ)

SERIES LINE
L = LOWLINE T = JEEP - 2WD
 J = JEEP - 4WD

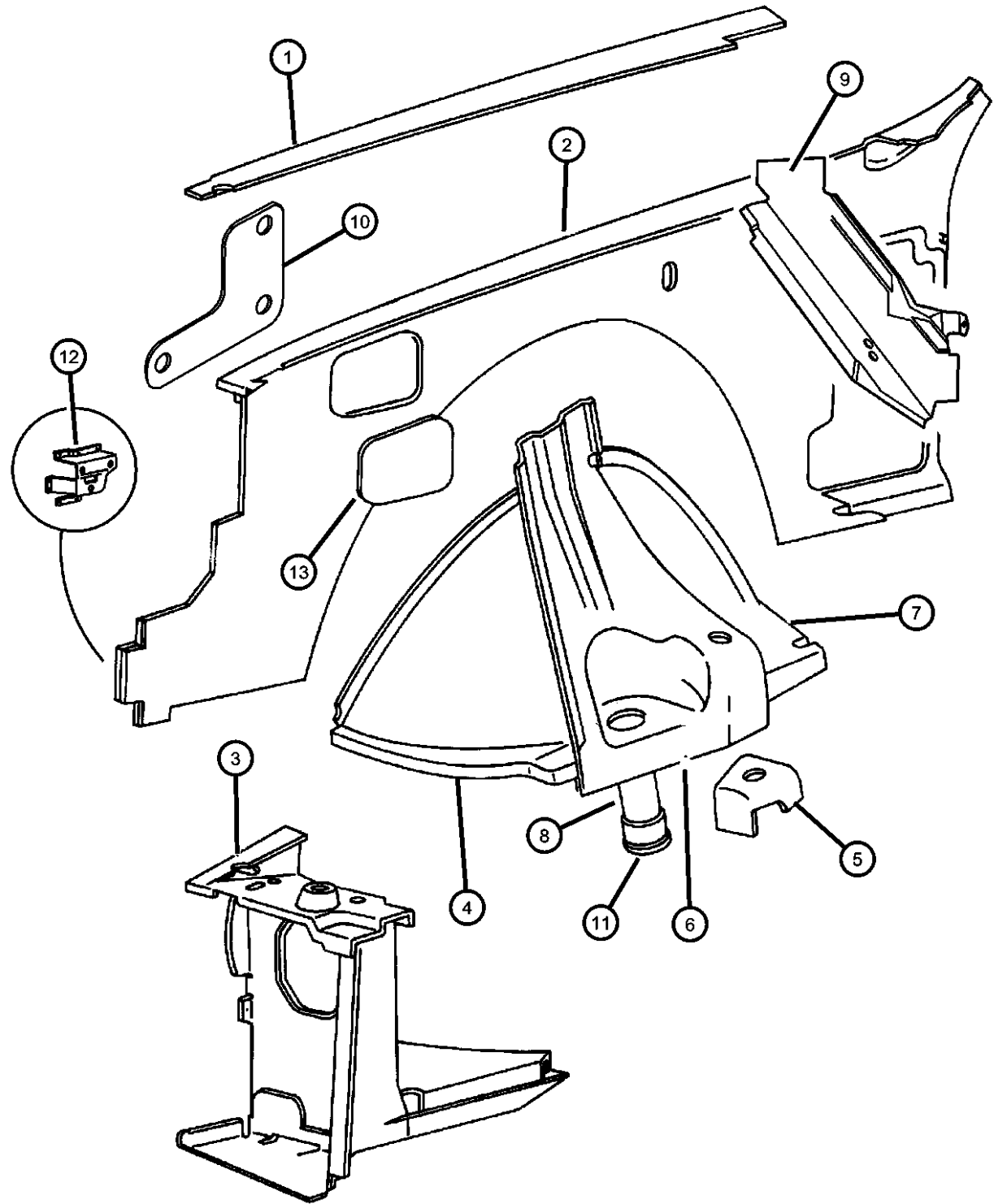
BODY
74 = SPORT UTILITY 4-DR

ENGINE
ELF = 5.2L V8 MPI Engine
EML = 5.9L V8 MPI Engine
ERH = 4.0L Power Tech I-6 Engine

TRANSMISSION
DGK = 4-Spd. Automatic 42RE Transmission
DGW = 4-Spd. Automatic 4RE Transmission
DG0 = Transmissions - All Automatic

AR = use ase required - = Non illustrated part

**Panels, Front End Inner And Wheelhouse
Figure SZJ-420**



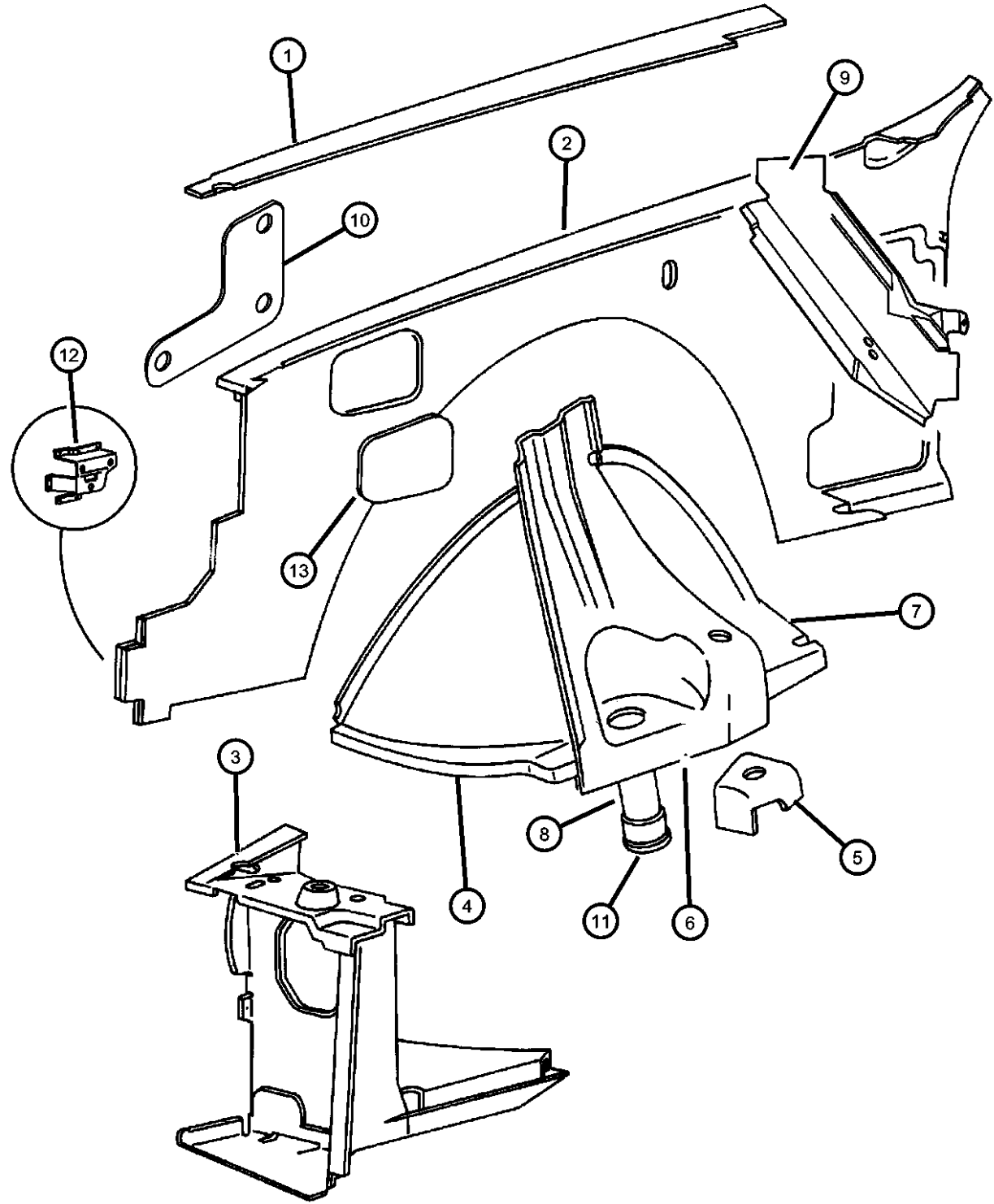
| ITEM | PART NUMBER | QTY | LINE | SERIES | BODY | ENGINE | TRANS | TRIM | DESCRIPTION |
|------|-------------|-----|------|--------|------|--------|-------|------------|--|
| 1 | 55295888 | 1 | | | | | | | REINFORCEMENT, Cowl Side Upper Right |
| | 55295889 | 1 | | | | | | | Upper Left |
| 2 | 55296114 | 1 | | | | | | | PANEL, Cowl Side Right |
| | 55296115 | 1 | | | | | | | Left |
| 3 | 55296108 | 1 | | | | | | | PANEL, Radiator Side Right |
| | 55296109 | 1 | | | | | | | Left |
| 4 | 55031509 | 1 | | | | | | | PANEL, Front Wheelhouse Left |
| | 55033612AB | 1 | | | | | | | Right |
| 5 | 55031838 | 1 | | | | | | | REINFORCEMENT, Spring and Shock Right |
| | 55031839 | 1 | | | | | | | Left |
| 6 | 55254567AB | 1 | | | | | | | SUPPORT, Front Suspension Left |
| | 55295730 | 1 | | | | | | | Right |
| 7 | 55032511 | 1 | | | | | | | WHEELHOUSE, Front Inner Rear Left |
| | 55296080 | 1 | | | | | | | Rear Right |
| 8 | 55255050 | 2 | | | | | | | GUIDE, Front Spring, Consist of Guide and Reinforcement, Outer REINFORCEMENT, Cowl Side Lower Right |
| | | 2 | | | | | | Lower Left | |
| 9 | 55033348 | 1 | | | | | | | TAPPING PLATE, Hood Release, To Cowl Side, Left Only |
| | 55033349 | 1 | | | | | | | |
| 10 | 55254583 | 1 | | | | | | | CUP, Jounce Bumper Front Axle Jounce Bumper |
| | | 2 | J | | 74 | | | | |
| 11 | 52087635 | 2 | | | | | | | Front Axle Jounce Bumper Front Axle Jounce Bumper |
| | | 2 | T | | 74 | | | | |
| 12 | 55032816 | 1 | | | | | | | BRACKET, Fascia to Fender Right |
| | 55032817 | 1 | | | | | | | |
| 13 | 55295760 | 1 | | | | | | | COVER, Cowl Side |

GRAND CHEROKEE (ZJ)

| | | | | |
|-------------|----------------------------------|-------------------------|---|--|
| SERIES | LINE | BODY | ENGINE | TRANSMISSION |
| L = LOWLINE | T = JEEP - 2WD J = JEEP - 4WD | 74 = SPORT UTILITY 4-DR | ELF = 5.2L V8 MPI Engine EML = 5.9L V8 MPI Engine ERH = 4.0L Power Tech I-6 Engine | DGK = 4-Spd. Automatic 42RE Transmission DGW = 4-Spd. Automatic 4RE Transmission DG0 = Transmissions - All Automatic |

AR = use ase required - = Non illustrated part

**Panels, Front End Inner And Wheelhouse
Figure SZJ-420**



| ITEM | PART NUMBER | QTY | LINE | SERIES | BODY | ENGINE | TRANS | TRIM | DESCRIPTION |
|------|-------------|-----|------|--------|------|--------|-------|------|---|
| -14 | 52087992 | 2 | J | | 74 | | | | BUMPER, Jounce Front |
| | | 2 | T | | 74 | | | | Front |
| -15 | 06504425 | 2 | | | | | | | SCREW AND WASHER, M10x1.50x35, Attach Front Jounce Bumper |

GRAND CHEROKEE (ZJ)

SERIES

L = LOWLINE

LINE

T = JEEP - 2WD

J = JEEP - 4WD

BODY

74 = SPORT UTILITY 4-DR

ENGINE

ELF = 5.2L V8 MPI Engine

EML = 5.9L V8 MPI Engine

ERH = 4.0L Power Tech I-6
Engine

TRANSMISSION

DGK = 4-Spd. Automatic 42RE

Transmission

DGW = 4-Spd. Automatic 4RE

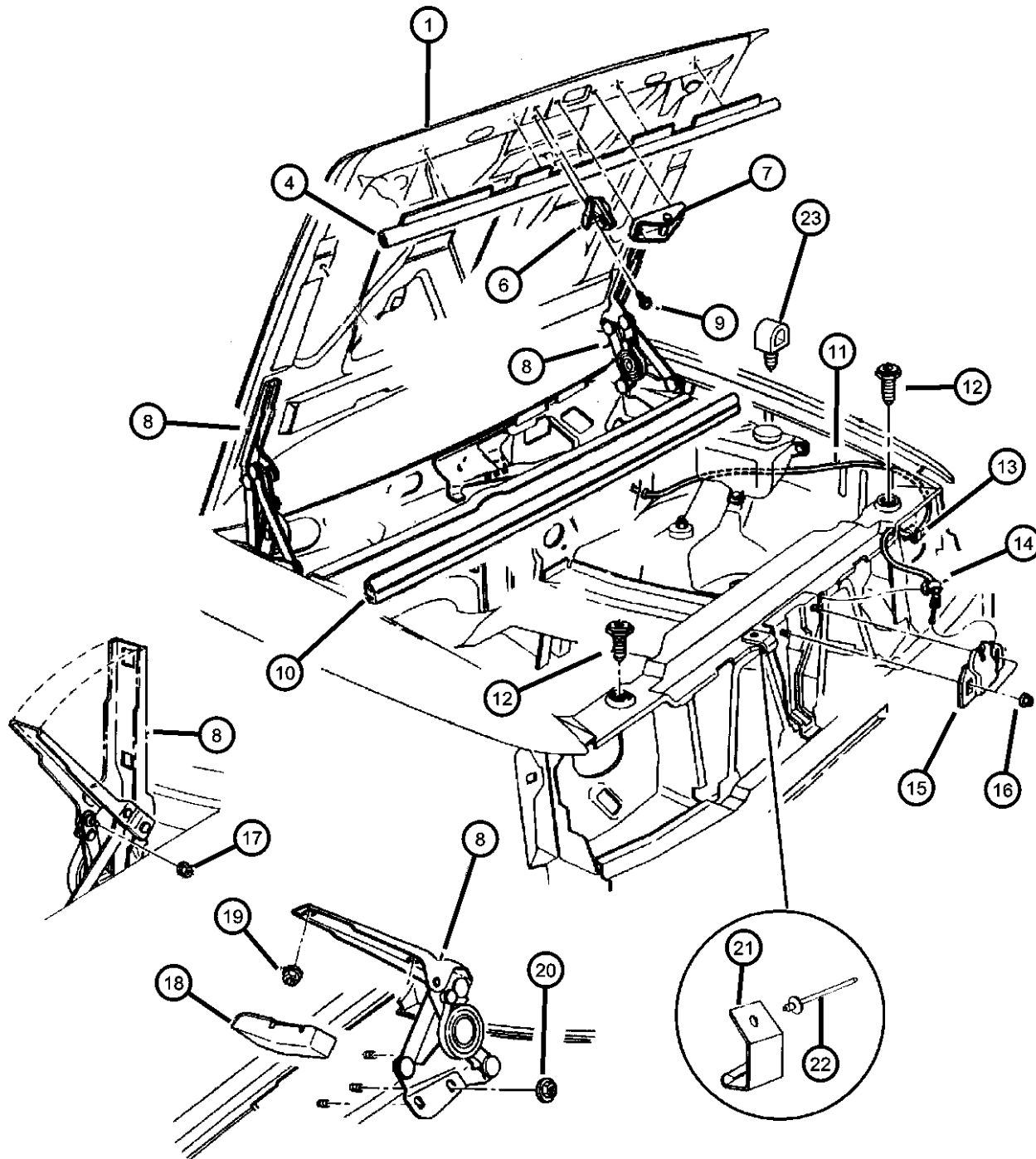
Transmission

DG0 = Transmissions - All Automatic

AR = use ase required - = Non illustrated part

1997 ZJ

Hood, Latch And Hinges
Figure SZJ-510



| ITEM | PART NUMBER | QTY | LINE | SERIES | BODY | ENGINE | TRANS | TRIM | DESCRIPTION |
|------|-------------|-----|------|--------|------|--------|-------|------|---|
| 1 | 55295753 | 1 | | | | | | | HOOD |
| -2 | 55215330 | 1 | | | | | | | INSULATION, Hood |
| -3 | 06003351 | 16 | | | | | | | RETAINER, Hood Insulation, .415x.690 |
| 4 | 55035971 | 1 | | | | | | | SEAL, Hood |
| -5 | 06031321 | 6 | | | | | | | PIN, Retainer, Push-in, Serviced With Seal |
| 6 | 55075322 | 1 | | | | | | | CATCH, Hood SafetySecondary |
| 7 | 55075754 | 1 | | | | | | | STRIKER, Hood Latch |
| 8 | | | | | | | | | HINGE, Hood |
| | 55075960 | 1 | | | | | | | Right |
| | 55075961 | 1 | | | | | | | Left |
| 9 | 06502064 | 1 | | | | | | | SCREW, Tapping, M6x1x20, Catch Assembly |
| 10 | 55030432 | 1 | | | | | | | SEAL, Hood To Plenum |
| 11 | 55076109 | 1 | | | | | | | CABLE, Hood Lock Release |
| 12 | 04103165 | 2 | | | | | | | BUMPER, Hood, Crossmember Hood Slam |
| 13 | 06502784 | 1 | | | | | | | CLIP, Latch |
| 14 | 34201966 | 1 | | | | | | | CLIP, Latch |
| 15 | 55075323 | 1 | | | | | | | LATCH, Hood |
| 16 | 06503664 | 2 | | | | | | | NUT AND WASHER, Hex Nut-Coned Washer, M6 x 1.00 |
| 17 | 06503664 | 2 | | | | | | | NUT, M8x1.25, (NOT SERVICED) |
| 18 | | | | | | | | | SEAL, Hood To Plenum |
| | 55135118 | 1 | | | | | | | Right |
| | 55135119 | 1 | | | | | | | Left |
| 19 | 06100051 | 4 | | | | | | | NUT AND WASHER, Hex Nut-Coned Washer, M8 x 1.25 |
| 20 | 06101445 | 6 | | | | | | | NUT AND WASHER, Hex Nut-Coned Washer, M8 x 1.25 |
| 21 | 55032768 | 1 | | | | | | | SKID PLATE, Secondary Hood Catch |
| 22 | 06500787 | 1 | | | | | | | RIVET, M5x11.30 |
| 23 | 55254775 | 2 | | | | | | | BUMPER, Hood |

GRAND CHEROKEE (ZJ)

SERIES LINE
L = LOWLINE T = JEEP - 2WD
J = JEEP - 4WD

BODY
74 = SPORT UTILITY 4-DR

ENGINE
ELF = 5.2L V8 MPI Engine
EML = 5.9L V8 MPI Engine
ERH = 4.0L Power Tech I-6 Engine

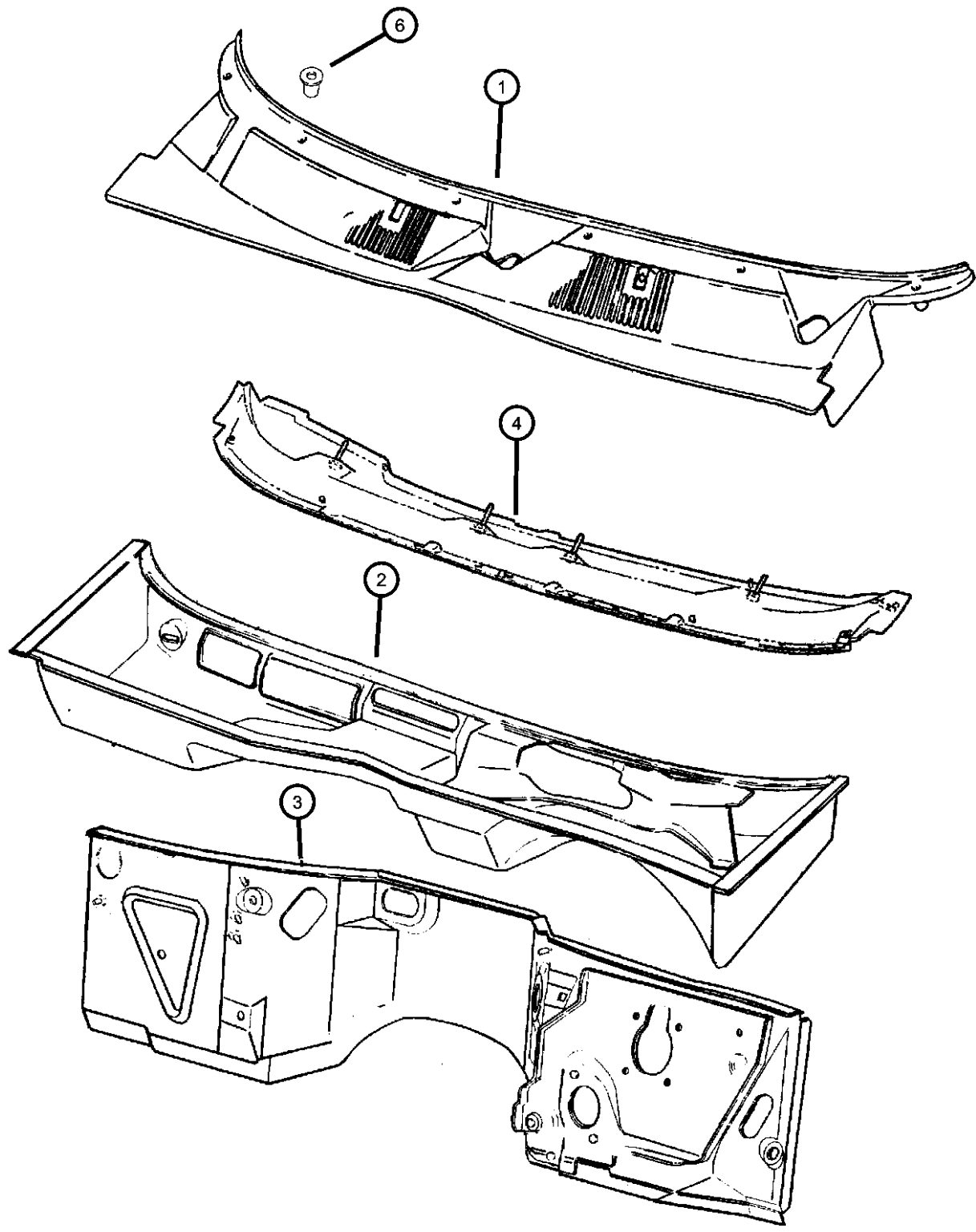
TRANSMISSION
DGK = 4-Spd. Automatic 42RE Transmission
DGW = 4-Spd. Automatic 4RE Transmission
DG0 = Transmissions - All Automatic

AR = use ase required - = Non illustrated part

1997 ZJ

**Panels, Cowl And Dash
Figure SZJ-610**

| ITEM | PART NUMBER | QTY | LINE | SERIES | BODY | ENGINE | TRANS | TRIM | DESCRIPTION |
|------|-------------|-----|------|--------|------|--------|-------|------|--|
| 1 | 55115794 | 1 | | | | | | | COVER, Cowl Grille |
| 2 | 55295977AB | 1 | | | | | | | PANEL, Plenum Complete |
| 3 | 55255198 | 1 | | | | | | | PANEL, Dash, Dash |
| 4 | 55296092 | 1 | | | | | | | PANEL, Cowl Top |
| -5 | 55256031 | 2 | | | | | | | SEAL, Panel |
| 6 | 06503339 | 6 | | | | | | | NUT, Plastic, Attach Cover to Cowl Top |



GRAND CHEROKEE (ZJ)

SERIES LINE
L = LOWLINE T = JEEP - 2WD
 J = JEEP - 4WD

BODY
74 = SPORT UTILITY 4-DR

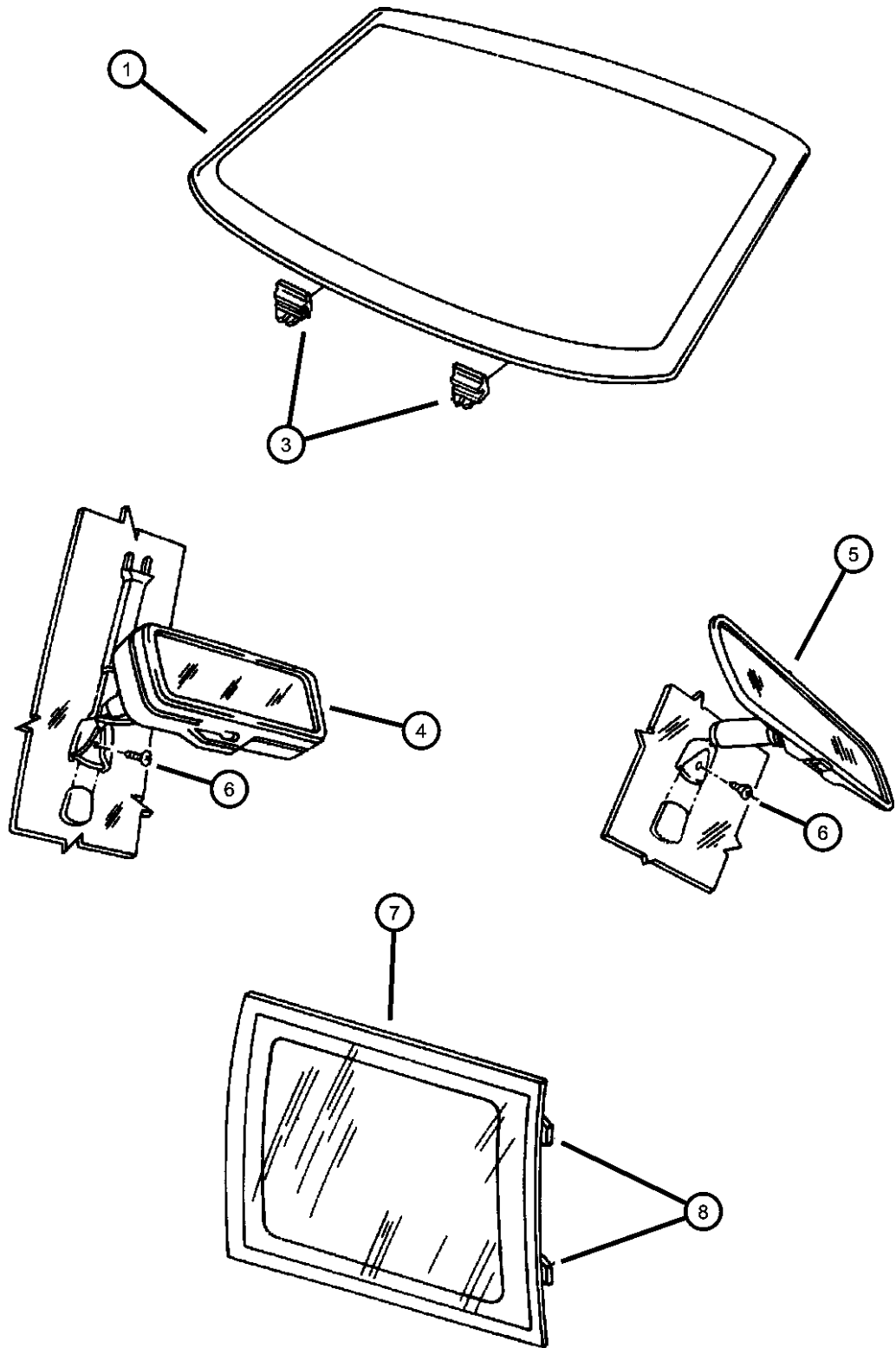
ENGINE
ELF = 5.2L V8 MPI Engine
EML = 5.9L V8 MPI Engine
ERH = 4.0L Power Tech I-6 Engine

TRANSMISSION
DGK = 4-Spd. Automatic 42RE Transmission
DGW = 4-Spd. Automatic 4RE Transmission
DG0 = Transmissions - All Automatic

AR = use ase required - = Non illustrated part

**Glass, Windshield, Quarter And Rear View Mirror
Figure SZJ-710**

| ITEM | PART NUMBER | QTY | LINE | SERIES | BODY | ENGINE | TRANS | TRIM | DESCRIPTION |
|------|-------------|-----|------|--------|------|--------|-------|------|--|
| 1 | 55155077 | 1 | | | | | | | WINDSHIELD |
| -2 | 55076401 | 1 | | | | | | | BUTTON, Rear View Mirror |
| 3 | 55275388 | 2 | | | | | | | SPACER, Windshield |
| 4 | 55155314 | 1 | | | | | | | MIRROR, Inside Rear View, Electric |
| 5 | 04299325 | 1 | | | | | | | MIRROR, Inside Rear View, Prismatic, Day Night |
| 6 | 06031094 | 1 | | | | | | | SCREW, Pan Head Tapping, .19-16x.375 |
| 7 | | | | | | | | | GLASS, Quarter Window |
| | 55135068 | 1 | | | | | | | Tinted, Right |
| | DQ08153GTY | | | | | | | | Collision Replacement Glass |
| | 55135069 | 1 | | | | | | | Tinted, Left |
| | DQ08154GTY | | | | | | | | Collision Replacement Glass |
| | 55255600 | 1 | | | | | | | Sunscreen, Right |
| | DQ08807YPY | | | | | | | | Collision Replacement Glass |
| | 55255601 | 1 | | | | | | | Sunscreen, Left |
| | DQ08808YPY | | | | | | | | Collision Replacement Glass |
| 8 | 06004517 | 4 | | | | | | | CLIP, Glass Retention |



GRAND CHEROKEE (ZJ)

SERIES LINE
L = LOWLINE T = JEEP - 2WD
 J = JEEP - 4WD

BODY
74 = SPORT UTILITY 4-DR

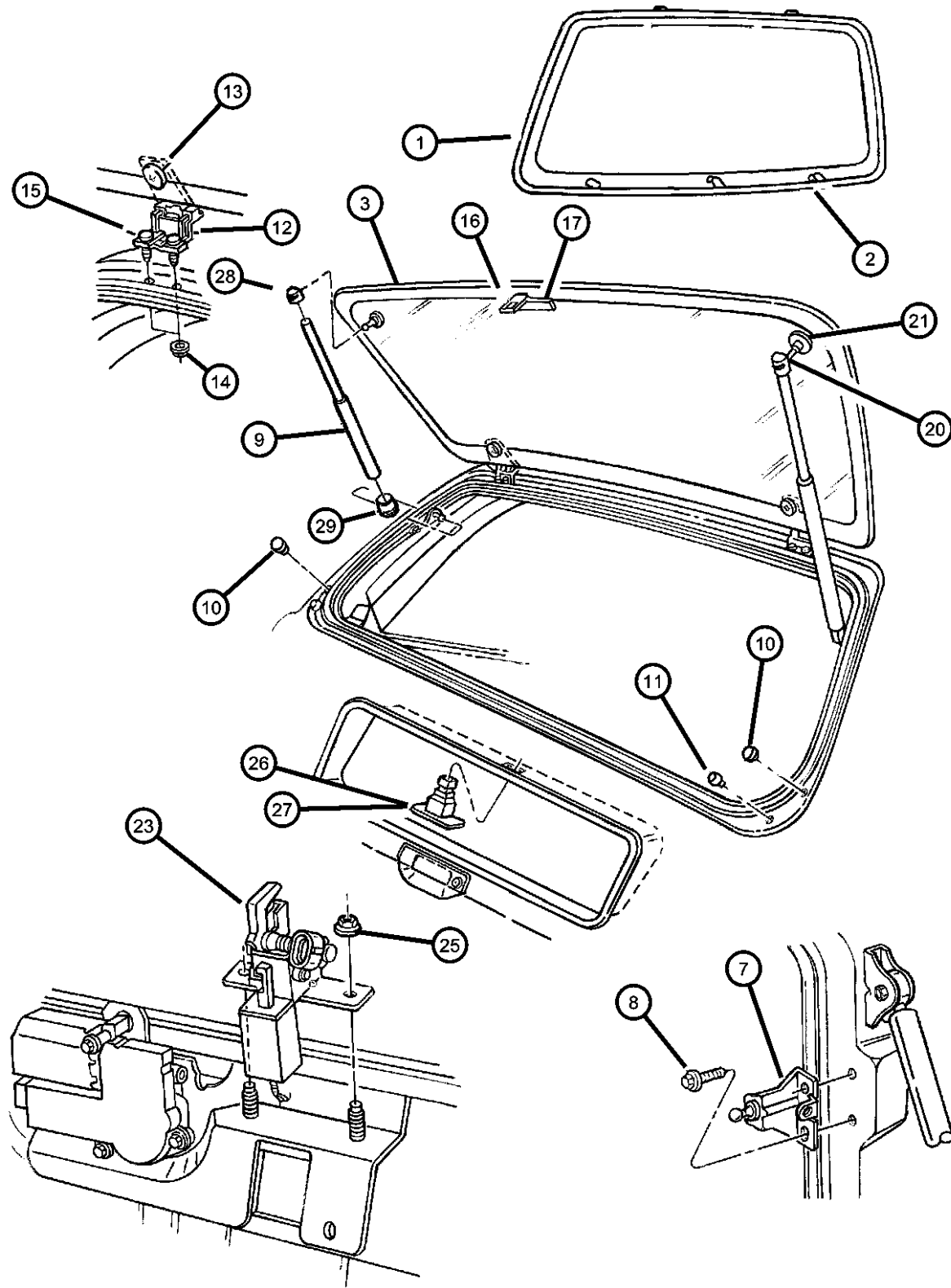
ENGINE
ELF = 5.2L V8 MPI Engine
EML = 5.9L V8 MPI Engine
ERH = 4.0L Power Tech I-6 Engine

TRANSMISSION
DGK = 4-Spd. Automatic 42RE Transmission
DGW = 4-Spd. Automatic 4RE Transmission
DG0 = Transmissions - All Automatic

AR = use ase required - = Non illustrated part

1997 ZJ

**Glass, Backlite
Figure SZJ-720**



| ITEM | PART NUMBER | QTY | LINE | SERIES | BODY | ENGINE | TRANS | TRIM | DESCRIPTION |
|------|-------------|-----|------|--------|------|--------|-------|------|---|
| 1 | 55256001 | 1 | | | | | | | BACKLITE, Fixed Tint, Heated |
| | DB08809GTY | | | | | | | | Collision Replacement Glass |
| | 55256010 | 1 | | | | | | | Privacy, Heated |
| | DB08938YPY | | | | | | | | Collision Replacement Glass |
| 2 | 06004502 | 4 | | | | | | | CLIP, Glass Retention |
| 3 | | | | | | | | | BACKLITE, Flipper |
| | 55154926 | 1 | | | | | | | Tint, Heated |
| | 55255587 | 1 | | | | | | | Privacy, Heated |
| -4 | 55256063 | 1 | | | | | | | LABEL, Flipper Glass, Gas Intrusion Warning |
| -5 | 55296037AB | 1 | | | | | | | WEATHERSTRIP, Liftgate Glass, Flipper Glass |
| -6 | 04661348 | 2 | | | | | | | TERMINAL, Attach Heated Backlite |
| 7 | | | | | | | | | BALL STUD, Flipper Glass |
| | 55075226 | 1 | | | | | | | Right |
| | 55075227 | 1 | | | | | | | Left |
| 8 | 06504447 | 4 | | | | | | | SCREW, Tapping, M5x.8x16 |
| 9 | 55076210 | 2 | | | | | | | GAS CYLINDER, Liftgate Glass |
| 10 | 03760482 | 2 | | | | | | | PLUG, Access Hole |
| 11 | 55075377 | 2 | | | | | | | BUMPER, Liftgate Glass |
| 12 | | | | | | | | | HINGE, Liftgate |
| | 55075162 | 1 | | | | | | | Right |
| | 55075163 | 1 | | | | | | | Left |
| 13 | 55075164 | 4 | | | | | | | GASKET, Liftgate Hinge |
| 14 | 55075164 | 4 | | | | | | | NUT AND WASHER, M5x.80, (NOT SERVICED) |
| 15 | 06502900 | 2 | | | | | | | SCREW, Special Head, M6x1x12.7 |
| 16 | 55075170 | 1 | | | | | | | STRIKER, Liftgate Glass |
| 17 | 55075169 | 1 | | | | | | | HANDLE, Liftgate |
| -18 | 55075220 | 1 | | | | | | | GASKET, Remote Control Handle |
| -19 | 06035479 | 2 | | | | | | | SCREW AND WASHER |
| 20 | 55075174 | 2 | | | | | | | BALL STUD, Liftgate Glass, Cylinder to Glass |
| 21 | 55295914 | 4 | | | | | | | GASKET, Ball Stud |
| -22 | 06504830AA | 2 | | | | | | | STUD, M6x1.00x17.00, To Ball Stud |

GRAND CHEROKEE (ZJ)

SERIES LINE
L = LOWLINE T = JEEP - 2WD
J = JEEP - 4WD

BODY
74 = SPORT UTILITY 4-DR

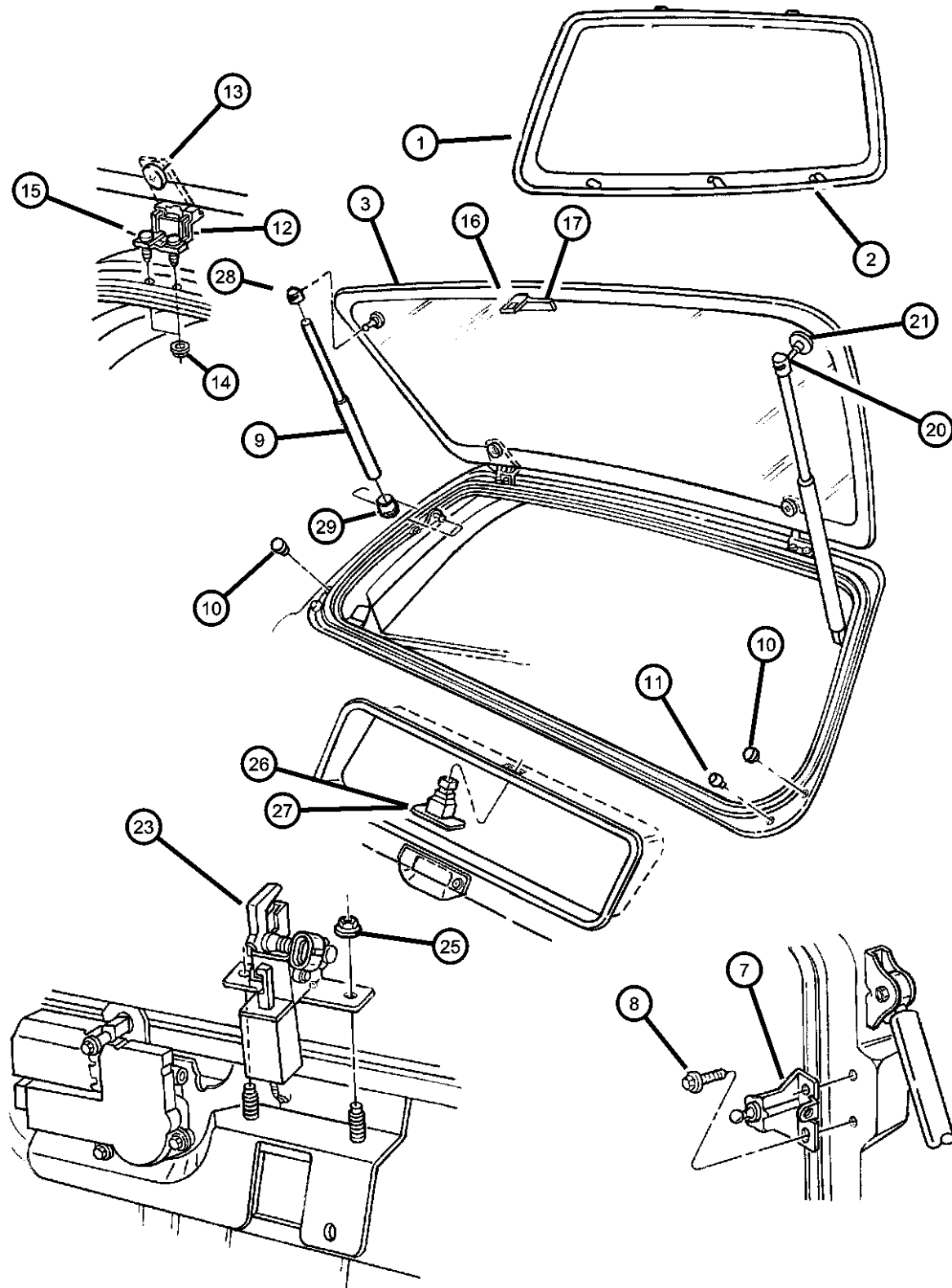
ENGINE
ELF = 5.2L V8 MPI Engine
EML = 5.9L V8 MPI Engine
ERH = 4.0L Power Tech I-6
Engine

TRANSMISSION
DGK = 4-Spd. Automatic 42RE
Transmission
DGW = 4-Spd. Automatic 4RE
Transmission
DG0 = Transmissions - All Automatic

AR = use ase required - = Non illustrated part

1997 ZJ

Glass, Backlite
Figure SZJ-720



| ITEM | PART NUMBER | QTY | LINE | SERIES | BODY | ENGINE | TRANS | TRIM | DESCRIPTION |
|------|-------------|-----|------|--------|------|--------|-------|------|--|
| 23 | 04882916 | 1 | | | | | | | LATCH, Liftgate Glass, Less Switch, (56005640) |
| -24 | 04773770 | 1 | | | | | | | SCREW, Pan Head, M4x.7x4, To Switch |
| 25 | 06500284 | 4 | | | | | | | NUT, Hex, M6x1.00, Attach Latch to Body Switch |
| 26 | 56007022 | 1 | | | | | | | SWITCH, Liftgate |
| 27 | 56005640 | 1 | | | | | | | SWITCH, Alarm and Cargo Lamp |
| 28 | 55076299 | 2 | | | | | | | CAP, Door Lock CylinderSmall |
| 29 | 55076300 | 2 | | | | | | | CAP, Door Lock CylinderLarge |

GRAND CHEROKEE (ZJ)

SERIES LINE
L = LOWLINE T = JEEP - 2WD
J = JEEP - 4WD

BODY
74 = SPORT UTILITY 4-DR

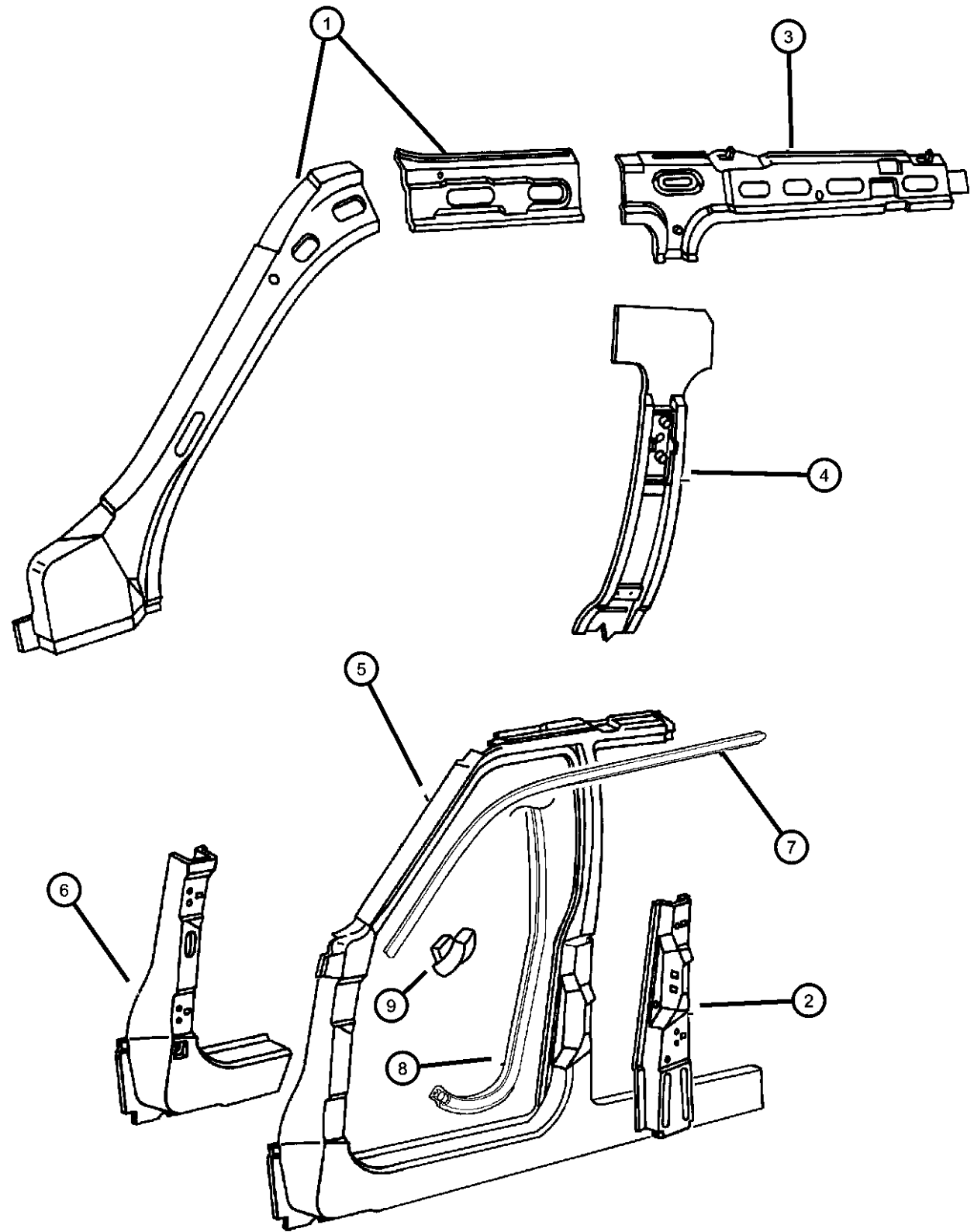
ENGINE
ELF = 5.2L V8 MPI Engine
EML = 5.9L V8 MPI Engine
ERH = 4.0L Power Tech I-6 Engine

TRANSMISSION
DGK = 4-Spd. Automatic 42RE Transmission
DGW = 4-Spd. Automatic 4RE Transmission
DG0 = Transmissions - All Automatic

AR = use ase required - = Non illustrated part

1997 ZJ

Panels, Body Side
Figure SZJ-810



| ITEM | PART NUMBER | QTY | LINE | SERIES | BODY | ENGINE | TRANS | TRIM | DESCRIPTION |
|------|-------------|-----|------|--------|------|--------|-------|------|--|
| 1 | 04740282 | 1 | | | | | | | PANEL, A Pillar Right |
| | 04740283 | 1 | | | | | | | Left |
| 2 | 55255004 | 1 | | | | | | | REINFORCEMENT, Door Hinge Right |
| | 55255005 | 1 | | | | | | | Left |
| 3 | 55031598 | 1 | | | | | | | RAIL, Roof Side Right, Inner |
| | 55031599 | 1 | | | | | | | Left, Inner |
| 4 | 55254938 | 1 | | | | | | | PILLAR, Center Right, Center, Inner |
| | 55254939 | 1 | | | | | | | Left, Center, Inner |
| 5 | 55295794 | 1 | | | | | | | PANEL, Body Side Aperture Front Right |
| | 55295795 | 1 | | | | | | | Left |
| 6 | 55254792 | 1 | | | | | | | REINFORCEMENT, Door Hinge Right, Front Door |
| | 55254793 | 1 | | | | | | | Left, Front Door |
| 7 | 55134570 | 1 | | | | | | | SEAL, Body Side Right |
| | 55134571 | 1 | | | | | | | Left |
| 8 | 55134722 | 1 | | | | | | | SEAL, Front Door Green, Right |
| | 55134723 | 1 | | | | | | | Orange, Left |
| 9 | 55134790 | 2 | | | | | | | BLOCKER, Seal Exterior A Pillar |

GRAND CHEROKEE (ZJ)

SERIES LINE
L = LOWLINE T = JEEP - 2WD
J = JEEP - 4WD

BODY
74 = SPORT UTILITY 4-DR

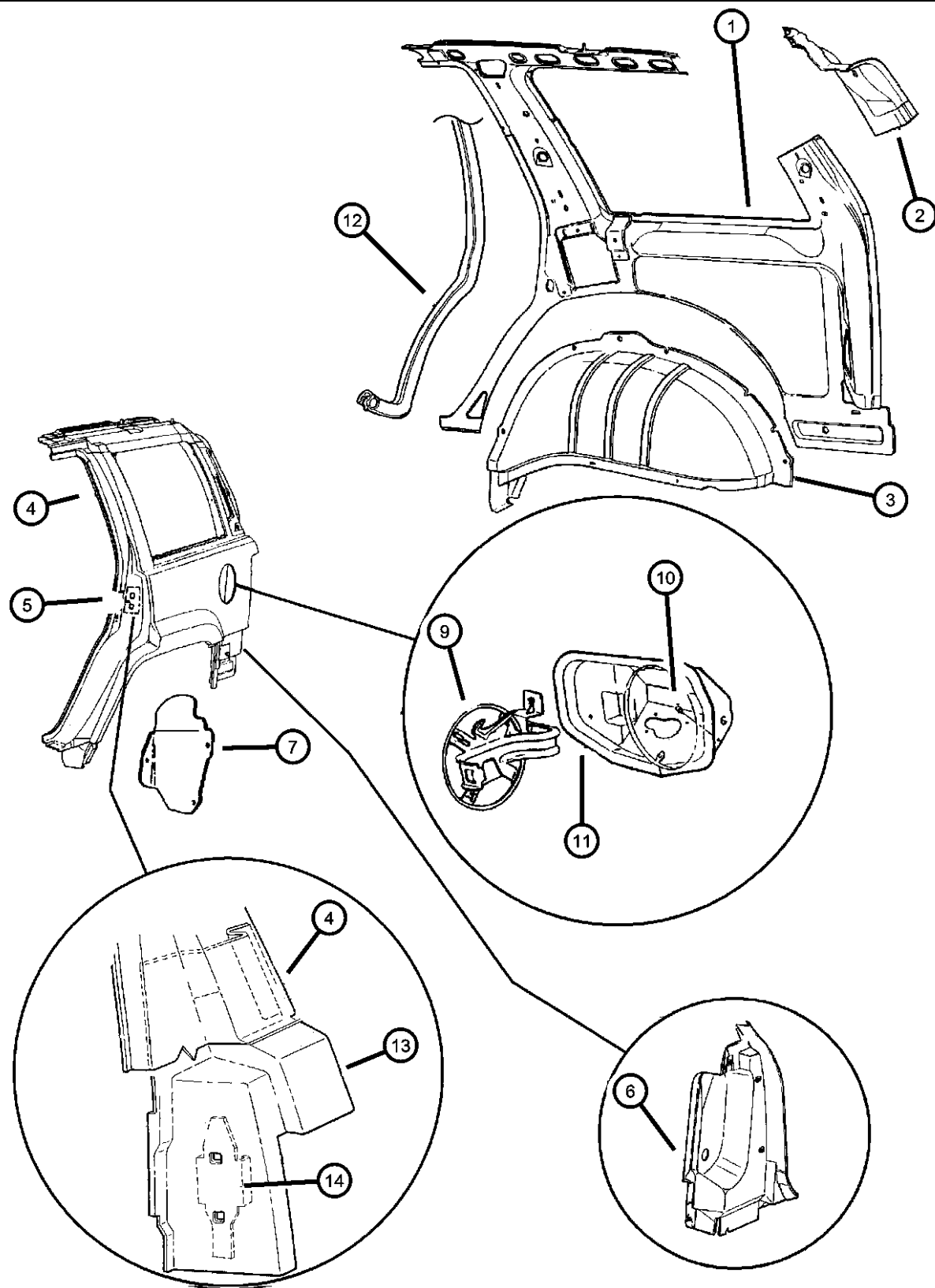
ENGINE
ELF = 5.2L V8 MPI Engine
EML = 5.9L V8 MPI Engine
ERH = 4.0L Power Tech I-6 Engine

TRANSMISSION
DGK = 4-Spd. Automatic 42RE
Transmission
DGW = 4-Spd. Automatic 4RE
Transmission
DG0 = Transmissions - All Automatic

AR = use ase required - = Non illustrated part

1997 ZJ

**Panels, Rear Quarter
Figure SZJ-910**



| ITEM | PART NUMBER | QTY | LINE | SERIES | BODY | ENGINE | TRANS | TRIM | DESCRIPTION |
|------|-------------|-----|------|--------|------|--------|-------|------|--|
| 1 | | | | | | | | | PANEL, Quarter Inner, Wheelhouse |
| | 04883080 | 1 | | | | | | | Outer Right |
| | 04883081 | 1 | | | | | | | Left |
| 2 | | | | | | | | | REINFORCEMENT, Quarter Inner, Upper Rear |
| | 55295946 | 1 | | | | | | | Right |
| | 55295947 | 1 | | | | | | | Left |
| 3 | | | | | | | | | WHEELHOUSE, Rear Inner |
| | 55031552 | 1 | | | | | | | Right |
| | 55296117 | 1 | | | | | | | Left |
| 4 | | | | | | | | | PANEL, Quarter |
| | 55296054 | 1 | | | | | | | Right |
| | 55296055 | 1 | | | | | | | Left |
| 5 | 55256000 | 2 | | | | | | | PLATE, Front Door Striker |
| 6 | | | | | | | | | PANEL, Taillamp Mounting |
| | 55295882 | 1 | | | | | | | Right |
| | 55295883 | 1 | | | | | | | Left |
| 7 | | | | | | | | | SHIELD, Splash, Rear Wheelhouse |
| | 55031994 | 1 | | | | | | | Right |
| | 55031995 | 1 | | | | | | | Left |
| -8 | 34201631 | 6 | | | | | | | RIVET, M6.25x28 Black |
| 9 | 55296094 | 1 | | | | | | | DOOR, Fuel Fill |
| 10 | 55295937 | 2 | | | | | | | BUMPER, Fuel Door |
| 11 | 55255439 | 1 | | | | | | | HOUSING, Fuel Filler |
| 12 | | | | | | | | | SEAL, Rear Door |
| | 55134724 | 1 | | | | | | | Right |
| | 55134725 | 1 | | | | | | | Left |
| 13 | | | | | | | | | REINFORCEMENT, Door Striker |
| | 55295910 | 1 | | | | | | | Right |
| | 55295911 | 1 | | | | | | | Left |
| 14 | 04512871 | AR | | | | | | | RETAINER, Door Lock Striker |
| -15 | 55295856 | 1 | | | | | | | LABEL, Fuel, Premium Fuel Unleaded Only, Bilingual |

GRAND CHEROKEE (ZJ)

SERIES LINE
 L = LOWLINE T = JEEP - 2WD
 J = JEEP - 4WD

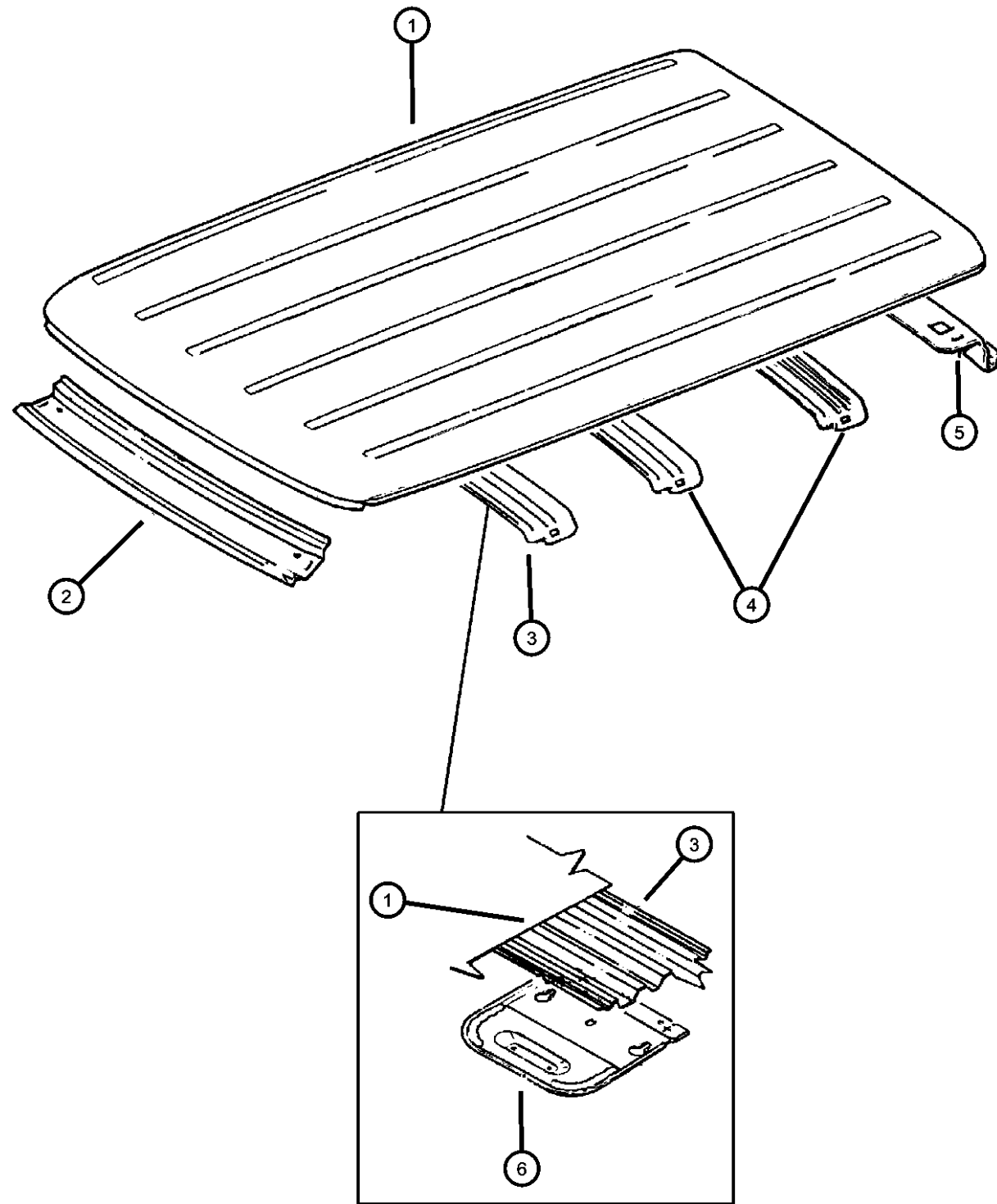
BODY
 74 = SPORT UTILITY 4-DR

ENGINE
 ELF = 5.2L V8 MPI Engine
 EML = 5.9L V8 MPI Engine
 ERH = 4.0L Power Tech I-6 Engine

TRANSMISSION
 DGK = 4-Spd. Automatic 42RE Transmission
 DGW = 4-Spd. Automatic 4RE Transmission
 DG0 = Transmissions - All Automatic

AR = use ase required - = Non illustrated part

**Panels, Roof
Figure SZJ-1110**



| ITEM | PART NUMBER | QTY | LINE | SERIES | BODY | ENGINE | TRANS | TRIM | DESCRIPTION |
|------|-------------|-----|------|--------|------|--------|-------|------|---|
| 1 | 55256060 | 1 | | | | | | | ROOF With Luggage Rack |
| | 55295742 | 1 | | | | | | | With Luggage Rack and Sunroof |
| 2 | 55296051AB | 1 | | | | | | | HEADER, Roof FrontFront |
| 3 | 04723693 | 1 | | | | | | | BOW, Roof, Number 1 |
| 4 | 55031829 | 2 | | | | | | | BOW, Roof |
| 5 | 04796409 | 1 | | | | | | | HEADER, Roof Upper Rear |
| 6 | 55032509 | 1 | | | | | | | BRACKET, Dome Lamp, Dome Lamp Mounting, (Also Serviced in Item 3) |

GRAND CHEROKEE (ZJ)

SERIES LINE
L = LOWLINE T = JEEP - 2WD
 J = JEEP - 4WD

BODY
74 = SPORT UTILITY 4-DR

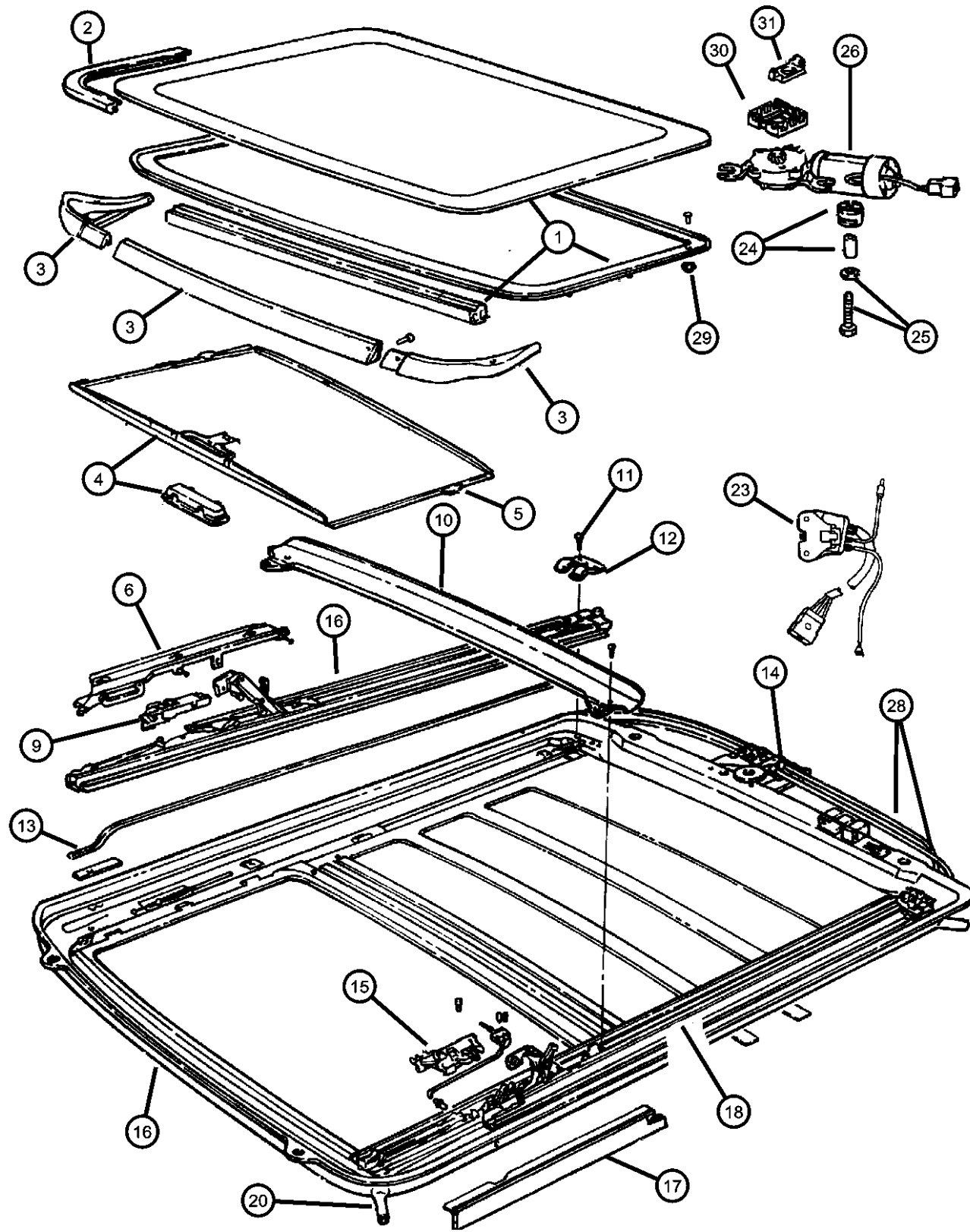
ENGINE
ELF = 5.2L V8 MPI Engine
EML = 5.9L V8 MPI Engine
ERH = 4.0L Power Tech I-6
Engine

TRANSMISSION
DGK = 4-Spd. Automatic 42RE
Transmission
DGW = 4-Spd. Automatic 4RE
Transmission
DG0 = Transmissions - All Automatic

AR = use ase required - = Non illustrated part

1997 ZJ

Sunroof Component Parts
Figure SZJ-1210



| ITEM | PART NUMBER | QTY | LINE | SERIES | BODY | ENGINE | TRANS | TRIM | DESCRIPTION |
|------|-------------|-----|------|--------|------|--------|-------|------|---|
| 1 | 55076207 | 1 | | | | | | | GLASS, Sunroof |
| 2 | 04440278 | 1 | | | | | | | SEAL, Sunroof, (Also Serviced With Glass) |
| 3 | 04856567 | 1 | | | | | | | DEFLECTOR, Sunroof Wind |
| 4 | | | | | | | | | SUNSHADE, Sunroof |
| | 5FR92SC1 | 1 | | | | | | | Mist Gray, [AZ, C3] |
| | 5FR92ST6 | 1 | | | | | | | Saddle, [TJ, T6] |
| 5 | 04440277 | 2 | | | | | | | CLIP, Sunroof Sunshade |
| 6 | | | | | | | | | BRACKET, Sunroof |
| | 04883574AA | 1 | | | | | | | Right |
| | 04883575AA | 1 | | | | | | | Left |
| -7 | 05256034 | 2 | | | | | | | SCREW, Sun Roof, M5x5, Side Adjusting Bracket |
| -8 | 05256035 | 2 | | | | | | | WASHER, Flat, Side Adjusting Bracket to Screw |
| 9 | 04440480 | 1 | | | | | | | LOCATOR, Sunroof Drive CableRight |
| 10 | 04440273 | 1 | | | | | | | CHANNEL, Sunroof Drain |
| 11 | 04440273 | 1 | | | | | | | SCREW, (NOT SERVICED) |
| 12 | 04440273 | 1 | | | | | | | BRACKET, (NOT SERVICED) |
| 13 | 04440273 | 1 | | | | | | | SEAL, Drain, (NOT SERVICED) |
| 14 | 04440273 | 1 | | | | | | | BRACKET, Serviced With Frame, (NOT SERVICED) |
| 15 | 04883578AA | 1 | | | | | | | LOCATOR, Sunroof Drive Cable, With Switch, Left |
| 16 | 04883576AA | 1 | | | | | | | FRAME, Sunroof, Includes Everything Except Glass And Sunshade |
| 17 | | | | | | | | | COVER, Sunroof Mechanism |
| | 04856664 | 1 | | | | | | | Left |
| | 04856665 | 1 | | | | | | | Right |
| 18 | | | | | | | | | TRACK, Sunroof |
| | 04386884 | 1 | | | | | | | Right |
| | 04874360 | 1 | | | | | | | Left |
| -19 | 05256018 | 4 | | | | | | | SCREW, Sun Roof |
| 20 | | | | | | | | | HOSE, Sunroof Drain |
| | 55074988 | 2 | | | | | | | Front |
| | 55076372 | 2 | | | | | | | Rear |
| -21 | 04490900 | 4 | | | | | | | CLAMP, Hose, To Support |

GRAND CHEROKEE (ZJ)

SERIES LINE
 L = LOWLINE T = JEEP - 2WD
 J = JEEP - 4WD

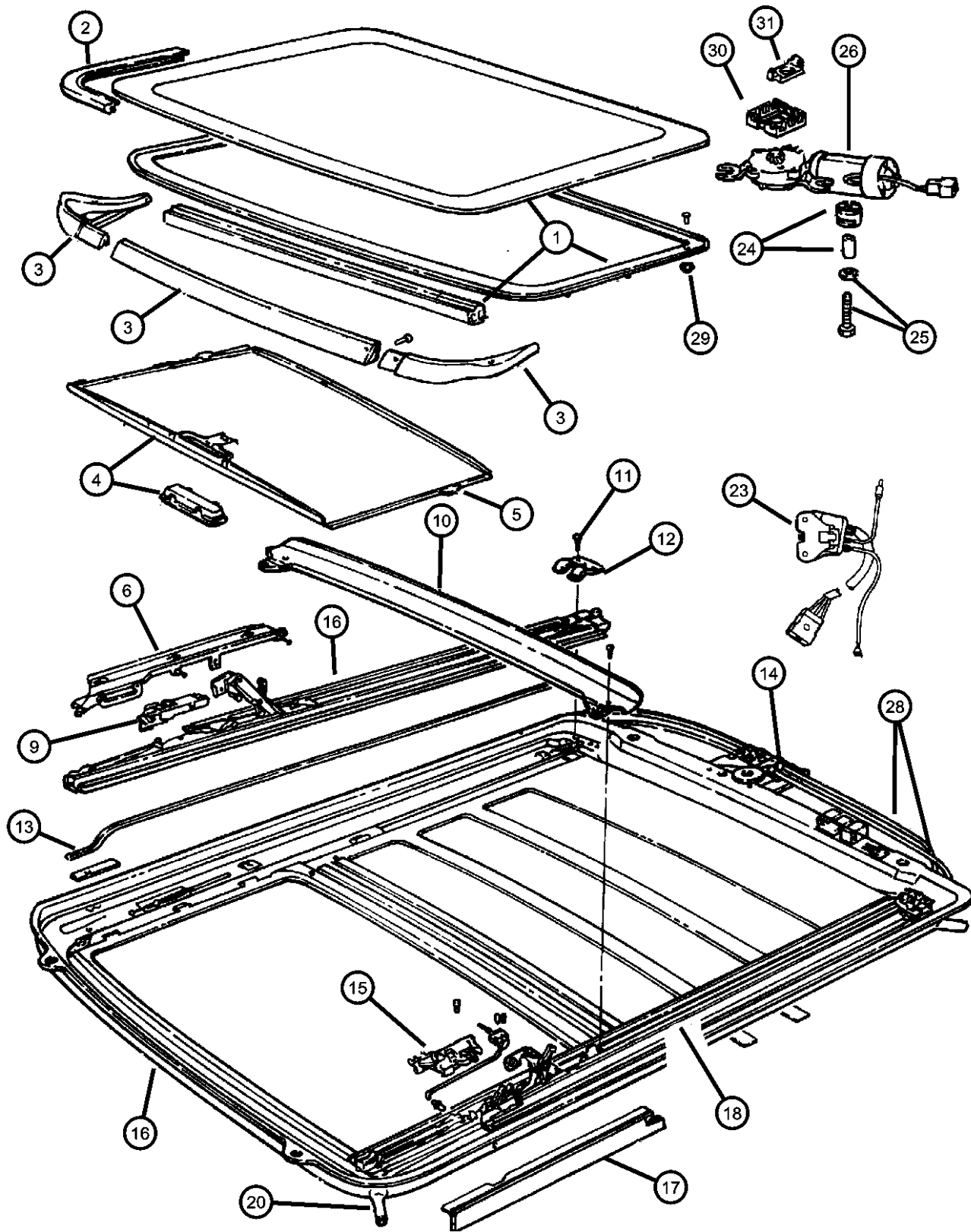
BODY
 74 = SPORT UTILITY 4-DR

ENGINE
 ELF = 5.2L V8 MPI Engine
 EML = 5.9L V8 MPI Engine
 ERH = 4.0L Power Tech I-6 Engine

TRANSMISSION
 DGK = 4-Spd. Automatic 42RE Transmission
 DGW = 4-Spd. Automatic 4RE Transmission
 DG0 = Transmissions - All Automatic

AR = use ase required - = Non illustrated part

Sunroof Component Parts
Figure SZJ-1210



| ITEM | PART NUMBER | QTY | LINE | SERIES | BODY | ENGINE | TRANS | TRIM | DESCRIPTION |
|------|-------------|-----|------|--------|------|--------|-------|------|--|
| -22 | 55075527 | 2 | | | | | | | PLUG, Sunroof Drain HoseRear |
| 23 | 04856568 | 1 | | | | | | | RELAY, Electrical, Includes bracket |
| 24 | 05256019 | 3 | | | | | | | SPACER, Motor Mounting |
| 25 | 05256021 | 3 | | | | | | | SCREW AND WASHER, Sun Roof Motor, Mounting |
| 26 | 04883573AA | 1 | | | | | | | MOTOR, Sunroof |
| -27 | 04728172 | 1 | | | | | | | INSERT, Bracket To Motor |
| 28 | 04762790 | 1 | | | | | | | CABLE KIT, Sunroof, Drive Cables, Does Not Include Tubes, (right and left) |
| 29 | 05256024 | 6 | | | | | | | NUT, Glass, [M6x1] |
| 30 | 04728173 | 1 | | | | | | | BRACKET, Sunroof Drive Cable |
| 31 | 04773594 | 1 | | | | | | | BRACKET, Sunroof Motor, Clamping |
| -32 | 05014766AA | 1 | | | | | | | TUBE KIT, Sunroof Repair, See [TSB] 23-54-98 |

GRAND CHEROKEE (ZJ)

SERIES LINE
 L = LOWLINE T = JEEP - 2WD
 J = JEEP - 4WD

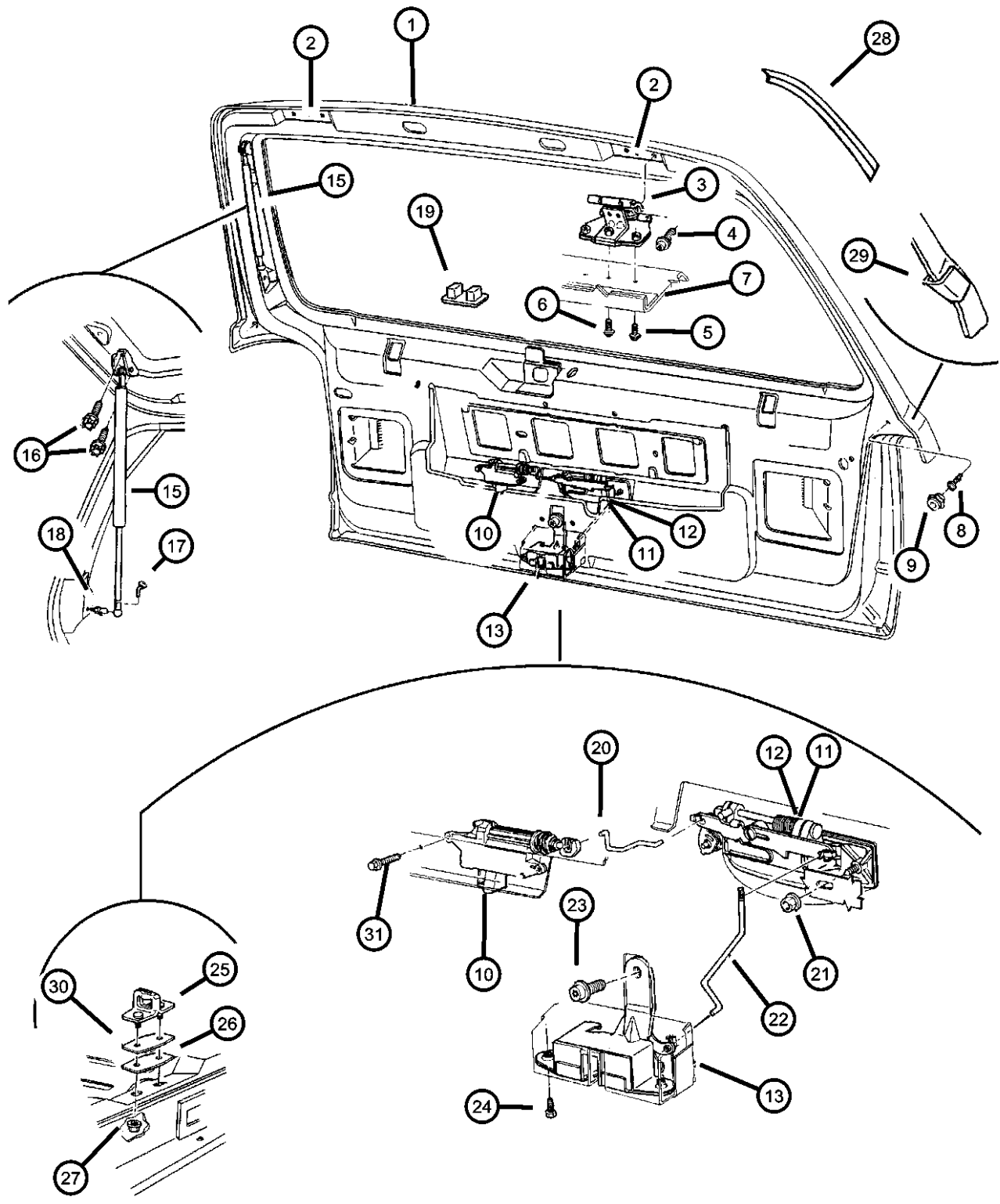
BODY
 74 = SPORT UTILITY 4-DR

ENGINE
 ELF = 5.2L V8 MPI Engine
 EML = 5.9L V8 MPI Engine
 ERH = 4.0L Power Tech I-6 Engine

TRANSMISSION
 DGK = 4-Spd. Automatic 42RE Transmission
 DGW = 4-Spd. Automatic 4RE Transmission
 DG0 = Transmissions - All Automatic

AR = use ase required - = Non illustrated part

Lift Door, Latch And Hinges
Figure SZJ-1310



| ITEM | PART NUMBER | QTY | LINE | SERIES | BODY | ENGINE | TRANS | TRIM | DESCRIPTION |
|------|-------------|-----|------|--------|------|--------|-------|------|---|
| 1 | 55196457 | 1 | | | | | | | LIFTGATE |
| 2 | 55196457 | 1 | | | | | | | PLATE, Serviced in Liftgate, (NOT SERVICED) |
| 3 | 04796432 | 2 | | | | | | | HINGE, Liftgate |
| 4 | 06502986 | 4 | | | | | | | SCREW AND WASHER, Pan Head, M8x1.25x30.00 |
| 5 | 06503764 | 4 | | | | | | | SCREW AND WASHER, Hex Head, M8x1.25x25 |
| 6 | 06504462 | 2 | | | | | | | SCREW |
| 7 | 06504462 | 2 | | | | | | | HEADER, Roof Rear, (NOT SERVICED) |
| 8 | 06036026AA | 2 | | | | | | | SCREW, Hex Head Shoulder Tapping, .312-18x1.83 |
| 9 | 55254847 | 2 | | | | | | | BUMPER, Liftgate |
| 10 | 55295716 | 1 | | | | | | | ACTUATOR, Liftgate Lock |
| 11 | 55076391 | 1 | | | | | | | HANDLE AND SWITCH, Liftgate, With Flipper Glass |
| 12 | 55076016 | 1 | | | | | | | HANDLE, Liftgate, With Fixed Backlite |
| 13 | 04883254 | 1 | | | | | | | LATCH, Liftgate |
| -14 | 56005640 | 1 | | | | | | | SWITCH, Alarm and Cargo Lamp, Security Alarm/Cargo Lamp |
| 15 | | | | | | | | | SUPPORT, Liftgate Strut |
| | 55075704 | 1 | | | | | | | Right |
| | G0004856AC | | | | | | | | Mopar V-Line Alternative Part |
| | 55075705 | 1 | | | | | | | Left |
| | G0004857AC | | | | | | | | Mopar V-Line Alternative Part |
| 16 | 55075705 | 1 | | | | | | | SCREW, M6x1x25, (NOT SERVICED) |
| 17 | 55295745 | 2 | | | | | | | CLIP, Piston |
| 18 | 55075205 | 2 | | | | | | | BALL STUD, Liftgate Glass |
| 19 | 56007242 | 1 | | | | | | | PLUG, Sealing, Flipper Backlite |
| 20 | 55076022 | 1 | | | | | | | ROD, Liftgate Actuator, Power Liftgate |
| 21 | 06501730 | 1 | | | | | | | NUT, Retainer, M6 x 1.00, With Washer |
| 22 | 55031860 | 1 | | | | | | | ROD, Liftgate Handle to Latch |
| 23 | 06503154 | 1 | | | | | | | SCREW AND WASHER, Round Head, M8x1.25x20 |
| 24 | 06502623 | 2 | | | | | | | SCREW, Flat Head, M8x1.25x23 |
| 25 | 55296077 | 1 | | | | | | | STRIKER, Door Latch |

GRAND CHEROKEE (ZJ)

SERIES LINE
L = LOWLINE T = JEEP - 2WD
J = JEEP - 4WD

BODY
74 = SPORT UTILITY 4-DR

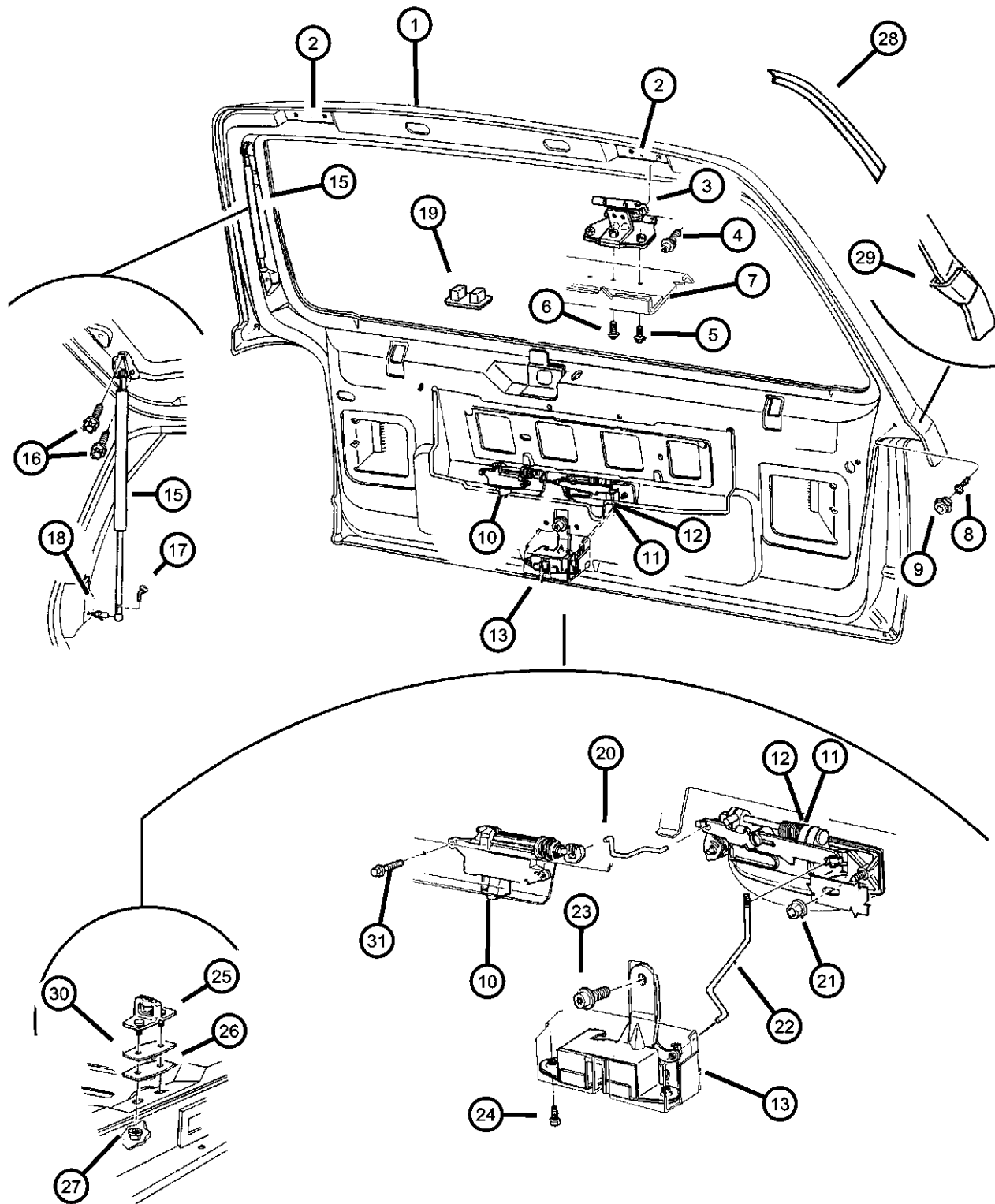
ENGINE
ELF = 5.2L V8 MPI Engine
EML = 5.9L V8 MPI Engine
ERH = 4.0L Power Tech I-6 Engine

TRANSMISSION
DGK = 4-Spd. Automatic 42RE Transmission
DGW = 4-Spd. Automatic 4RE Transmission
DG0 = Transmissions - All Automatic

AR = use ase required - = Non illustrated part

1997 ZJ

Lift Door, Latch And Hinges
Figure SZJ-1310



| ITEM | PART NUMBER | QTY | LINE | SERIES | BODY | ENGINE | TRANS | TRIM | DESCRIPTION |
|------|-------------|-----|------|--------|------|--------|-------|------|--|
| 26 | 55075320 | 1 | | | | | | | STRIKER, Seal Plate, Striker Seal |
| 27 | 06101761 | 2 | | | | | | | NUT, Coned Washer, M10 x 1.50 |
| 28 | 55135179 | 1 | | | | | | | SEAL, Liftgate, To Body |
| 29 | 55295615 | 2 | | | | | | | STRIP, Liftgate Edge Protector |
| 30 | 55075677 | AR | | | | | | | STRIKER, Seal Plate |
| 31 | 55075677 | AR | | | | | | | SCREW, .25-14x.75, (NOT SERVICED) |
| -32 | 06035029 | 4 | | | | | | | SCREW, Hex Flange Head Tapping, .19-16x.50, Attach License Plate, Attach License Plate |

GRAND CHEROKEE (ZJ)

SERIES LINE
L = LOWLINE T = JEEP - 2WD
J = JEEP - 4WD

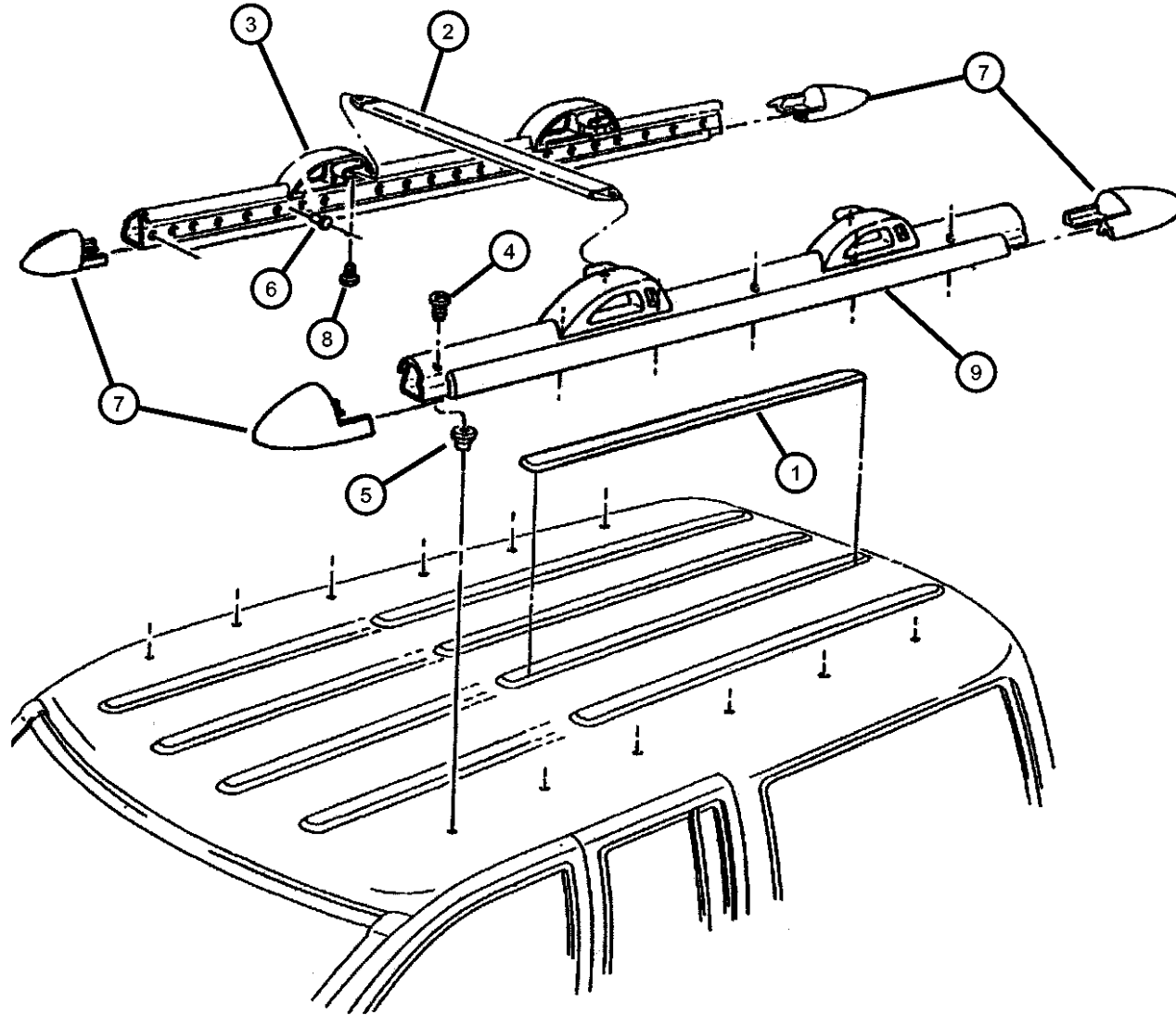
BODY
74 = SPORT UTILITY 4-DR

ENGINE
ELF = 5.2L V8 MPI Engine
EML = 5.9L V8 MPI Engine
ERH = 4.0L Power Tech I-6 Engine

TRANSMISSION
DGK = 4-Spd. Automatic 42RE Transmission
DGW = 4-Spd. Automatic 4RE Transmission
DG0 = Transmissions - All Automatic

AR = use ase required - = Non illustrated part

Roof Rack, Laredo, Limited
Figure SZJ-1610



| ITEM | PART NUMBER | QTY | LINE | SERIES | BODY | ENGINE | TRANS | TRIM | DESCRIPTION |
|-----------------------|-------------|-----|------|--------|------|--------|-------|------|--|
| With Sales Code [MWG] | | | | | | | | | |
| 1 | 55075107 | 4 | | | | | | | SKID STRIP, Roof Rack |
| 2 | 04798977 | 1 | | | | | | | RAIL, Luggage Rack Side |
| 3 | | | | | | | | | STANCHION, LUGG RACK CROSS RAIL |
| | 55076028AB | 2 | | | | | | | Right |
| | 55076029 | 2 | | | | | | | Left |
| 4 | 06504623 | 12 | | | | | | | SCREW, Pan Head, M8x1.25x41.5 |
| 5 | 06504363 | 12 | | | | | | | NUT/RIVET, Round, M6.00 x 1.00 x 15.00 |
| 6 | 06504363 | 12 | | | | | | | RIVET, Sunroof Stop, (NOT SERVICED) |
| 7 | | | | | | | | | CAP, Side Rail |
| | 55075918 | 2 | | | | | | | Right |
| | 55075919 | 2 | | | | | | | Left |
| 8 | 06035499 | 4 | | | | | | | SCREW, Pan Head Tapping, .242-10x.625 |
| 9 | 04883432AA | 1 | | | | | | | RAIL, Luggage Rack Side |

GRAND CHEROKEE (ZJ)

| | | | | |
|-------------|----------------------------------|-------------------------|--|--|
| SERIES | LINE | BODY | ENGINE | TRANSMISSION |
| L = LOWLINE | T = JEEP - 2WD J = JEEP - 4WD | 74 = SPORT UTILITY 4-DR | ELF = 5.2L V8 MPI Engine EML = 5.9L V8 MPI Engine ERH = 4.0L Power Tech I-6 Engine | DGK = 4-Spd. Automatic 42RE Transmission DGW = 4-Spd. Automatic 4RE Transmission DG0 = Transmissions - All Automatic |

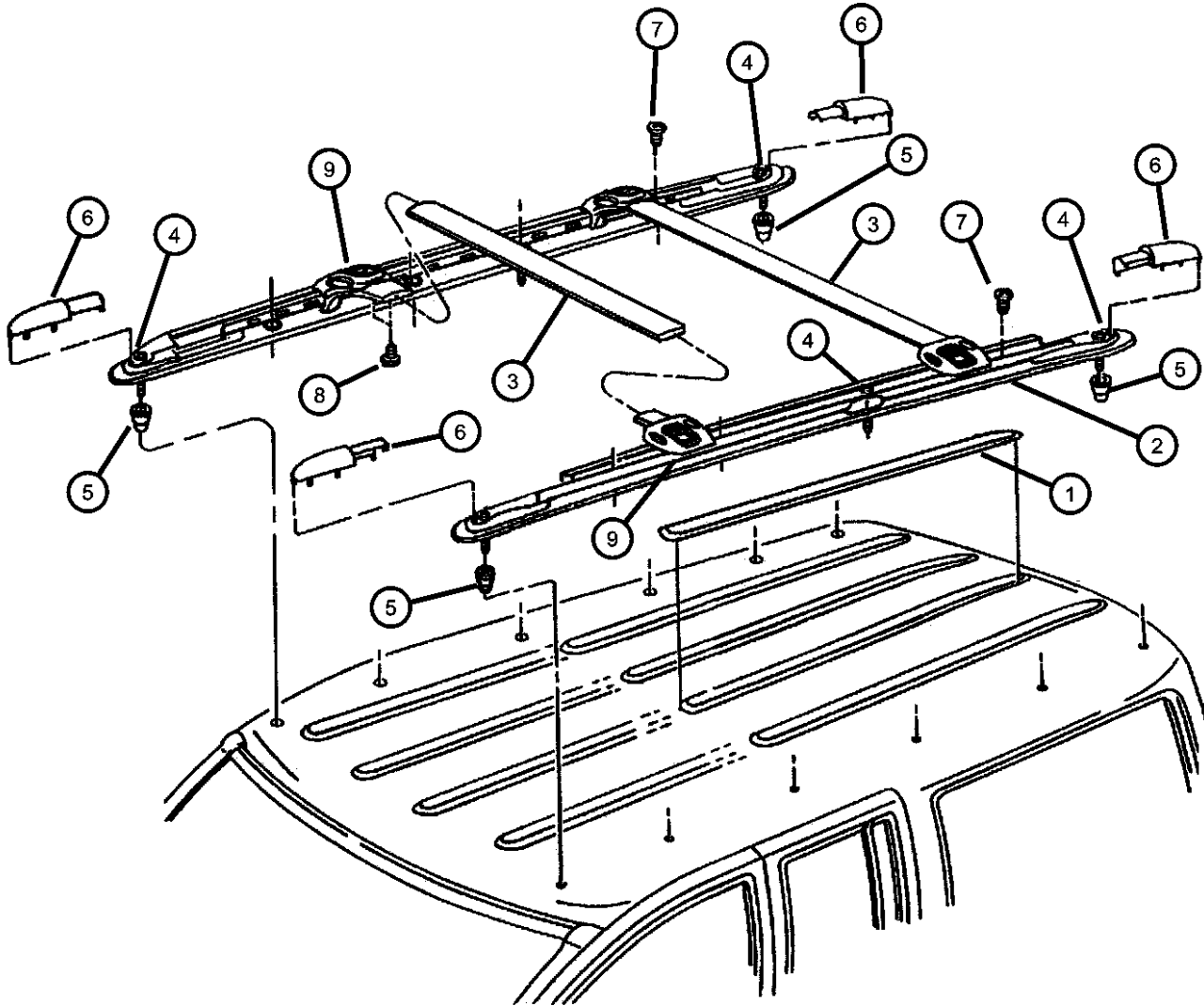
AR = use ase required - = Non illustrated part

**Roof Rack, Limited 5.9 Package
Figure SZJ-1620**

| ITEM | PART NUMBER | QTY | LINE | SERIES | BODY | ENGINE | TRANS | TRIM | DESCRIPTION |
|------|-------------|-----|------|--------|------|--------|-------|------|-------------|
|------|-------------|-----|------|--------|------|--------|-------|------|-------------|

With Sales Code [MWA]

| | | | | | | | | | |
|---|------------|----|--|--|--|--|--|--|--|
| 1 | 55075107 | 4 | | | | | | | SKID STRIP, Roof Rack |
| 2 | | | | | | | | | RAIL, Roof |
| | 5FP78DX9 | 1 | | | | | | | Right |
| | 5FP81DX9 | 1 | | | | | | | Left |
| 3 | 04883126 | 1 | | | | | | | CROSS RAIL, Roof Rack, Black |
| 4 | 06505217AA | 3 | | | | | | | SCREW, Pan Head |
| 5 | 06504363 | 12 | | | | | | | NUT/RIVET, Round, M6.00 x 1.00 x 15.00 |
| 6 | | | | | | | | | COVER, Luggage Rack |
| | 04676646 | 2 | | | | | | | Right |
| | 04676647 | 2 | | | | | | | Left |
| 7 | 06505252AA | 12 | | | | | | | SCREW, Pan Head |
| 8 | 06505252AA | 12 | | | | | | | SCREW, .164-18x.393, (NOT SERVICED) |
| 9 | | | | | | | | | STANCHION, Luggage Rack Cross Bar |
| | 04883124 | 2 | | | | | | | Right |
| | 04883125 | 2 | | | | | | | Left |



GRAND CHEROKEE (ZJ)

SERIES LINE
L = LOWLINE T = JEEP - 2WD
 J = JEEP - 4WD

BODY
74 = SPORT UTILITY 4-DR

ENGINE
ELF = 5.2L V8 MPI Engine
EML = 5.9L V8 MPI Engine
ERH = 4.0L Power Tech I-6 Engine

TRANSMISSION
DGK = 4-Spd. Automatic 42RE Transmission
DGW = 4-Spd. Automatic 4RE Transmission
DG0 = Transmissions - All Automatic

AR = use ase required - = Non illustrated part

1997 ZJ