

Quick Reference Parts Catalogue For Jeep® Vehicles



Introduction

This catalogue has been compiled to assist anyone owning or servicing Jeep vehicles. It includes information on Jeep vehicles built over the last twenty years. In some cases, parts will be available for models not listed here. Also, we are constantly adding to our range of products. Therefore if there are items you require that you cannot find listed, please contact us for any information you may require.

How to use this catalogue

To make it easier for you to locate information about the parts available for your vehicle, this catalogue has been split into sections

Model specific items – see the Manufacturer's Series Designation

Engine related parts – see V.I.N. decoding below to determine correct designation for your vehicle

Carburettor kits – these are referenced by carburettor number, see identification section.

Repair manuals – information for all vehicles

Paints and sealants – universal application products

Manufacturer's Series Designation

Jeep XJ Models

Wagoneer	1984-on
Cherokee	1984-on
Comanche	1984-on

Jeep YJ Models

Wrangler	1987-on
----------	---------

Jeep ZJ Models

Grand Cherokee	1993-on
----------------	---------

Jeep CJ Models

CJ5	1974-
CJ6	1974-1976
CJ7	1977-1986
CJ8	

Jeep J/SJ Models

Cherokee	1974-1983
Grand Wagoneer	1984-1991
J-series Truck	-1987
Wagoneer	-1983

In some situations, additional information will be required about your vehicle to make the correct selection. To do this, use the Vehicle Identification Number decoder provided.

GENERAL INFORMATION

V.I.N. Decoding

1974-1980

14 Digit Vehicle Identification Number

J 0 D 1 7 N N A 1 2 3 4 5 6
① ② ③ ④ ⑤ ⑥ ⑦ ⑧ ⑨ ⑩ ⑪ ⑫ ⑬ ⑭

① Manufacturer

J Jeep Corporation

② Model Year

2 1972
 3 1973
 4 1974
 5 1975
 6 1976
 7 1977
 8 1978
 9 1979
 0 1980

④ Model Line

1 Cherokee/Wagoneer 74-80
 2 J10 119" WB 74-80

4 J10/J20 131" WB 74-80
 8 CJ5/CJ6 74-76
 8 CJ5 77-80
 9 CJ7 77-80

⑥ Engine Type

A 4.2L (258CID) L6 1Bbl
 B 2.5L (151CID) L4 GM 2Bbl
 C 4.2L (258CID) L6 2Bbl
 E 3.8L (232CID) L6 1Bbl
 H 5.0L (304CID) V8 2Bbl
 N 5.9L (360CID) V8 2Bbl
 P 5.9L (360CID) V8 4Bbl
 Z 6.6L (401CID) V8 4Bbl

⑨ – ⑭ Serial Number

Production sequence number

1981-88

17 Digit Vehicle Identification Number

1 J C U X 7 7 L 1 E T 1 2 3 4 5 6
① ② ③ ④ ⑤ ⑥ ⑦ ⑧ ⑨ ⑩ ⑪ ⑫ ⑬ ⑭ ⑮ ⑯ ⑰

① Manufacturing Country

1 USA
 2 Canada

② Manufacturer

B Jeep (Canada)
 J Jeep (USA)

③ Vehicle Type

C Multipurpose vehicle
 D Incomplete vehicle
 T Truck

④ Engine Type

B 2.5L (151CID) L4 GM 2Bbl 81-83
 B 2.1L L4 Turbo Diesel 84-87
 C 4.2L (258CID) L6 2Bbl 81-88
 E 2.5L (150CID) L4 AMC 87-88
 H 2.5L (150CID) L4 AMC TBI 86-88
 M 4.0L L6 MFI 87-88
 N 5.9L (360CID) V8 2bbl 81-88
 U 2.5L (150CID) L4 AMC 1Bbl 84-85
 W 2.8L (171CID) V6 2Bbl 84-86

Y 2.5L (150CID) L4 AMC 87-88

⑤ Transmission/Transfer Case (4WD)

A Auto, column shift/Full-time 4WD
 B Auto, floor shift/Part-time 4WD
 C Auto, floor shift/Full-time 4WD
 D Auto, floor shift 2WD
 E Auto, column shift/Part-time 4WD
 F 5-spd manual/Part-time 4WD
 G 4-spd manual/Part-time 4WD
 H 4-spd manual, floor shift/4WD
 J Auto, column shift/4WD
 K Auto, floor shift/4WD
 L 5-spd manual/Part-time 4WD
 M 4-spd manual/Part-time 4WD
 N 5-spd manual/Part-time 4WD
 P 5-spd manual/Full-time 4WD
 R Auto, floor shift/Part-time 4WD
 S 4-spd manual, floor shift 2WD
 T Auto, floor shift/Full-time 4WD
 U Auto, floor shift 2WD
 V 5-spd manual, floor shift 2WD
 W 5-spd manual 2WD
 X 4-spd manual/Part-time 4WD

GENERAL INFORMATION

Y 4-spd manual, floor shift 2WD
Z Auto/NP231 transfer case 4WD

⑥ – ⑦ Body Type

64 Comanche 6' bed 2WD
65 Comanche 7' bed 4WD
66 Comanche 7' bed 2WD
73 Cherokee 2-door 2WD
74 Cherokee 4-door 2WD
75 Wagoneer 4-door 4WD
77 Cherokee 2-door 4WD
78 Cherokee 4-door 4WD
79 Cherokee 4-door 4WD
81 Wrangler
87 CJ7
88 Scrambler

⑧ Gross Vehicle Weight Rating

Grand Wagoneer, J10, J20 Truck
N 5975lbs
S 7600lbs
U 6200lbs
Y 8800lbs

CJ-7, Scrambler

A 3750lbs
E 4150lbs

Cherokee, Wrangler Base

J 3001-4000lbs
1 4001-5000lbs

Cherokee Pioneer

K 3001-4000lbs
2 4001-5000lbs

Wrangler Sahara
M 3001-4000lbs
2 4001-5000lbs

Cherokee, Wrangler Laredo

L 3001-4000lbs
3 4001-5000lbs

Comanche Base

1 4001-5000lbs
F 5001-6000lbs

Comanche Pioneer

P 4001-5000lbs
R 5001-6000lbs

Comanche Laredo

T 4001-5000lbs
U 5001-6000lbs

⑨ Check Digit

Numbers 1-9 and X are valid

⑩ Model Year

D 1983
E 1984
F 1985
G 1986
H 1987
J 1988

⑪ Assembly Plant

⑫ – ⑰ Serial Number

Production sequence number

MFI – Multi-point Fuel Injection, TBI – Throttle Body Injection

GENERAL INFORMATION

1989-98

17 Digit Vehicle Identification Number

1 J 4 G X 7 8 Y 4 S T 1 2 3 4 5 6
 ① ② ③ ④ ⑤ ⑥ ⑦ ⑧ ⑨ ⑩ ⑪ ⑫ ⑬ ⑭ ⑮ ⑯ ⑰

① Manufacturing Country

- 1 USA
- 2 Canada

② Manufacturer

- B Jeep (Canada)
- J Jeep (USA)

③ Vehicle Type

- 1 Multipurpose vehicle
- 2 Truck
- 4 Multipurpose vehicle
- 6 Incomplete vehicle
- 7 Truck

④ Gross Vehicle Weight Rating

- D 0-3000lbs (0-1360kg)
- E 3001-4000lbs (1361-1814kg)
- F 4001-5000lbs (1815-2267kg)
- G 5001-6000lbs (2268-2721kg)
- H 6001-7000lbs (2722-3175kg)
- J 7001-8000lbs (3176-3628kg)

⑤ Model Line

- B Cherokee 2WD (RHD) 93-98
- J Cherokee 4WD
- J Comanche 4WD 89-92
- N Wagoneer 89-90
- N Cherokee Briarwood 91-92
- N Cherokee 4WD (RHD) 93-98
- S Grand Wagoneer 89-91
- T Cherokee 2WD
- T Comanche 2WD 89-92
- W Wrangler (Mexico) 93-96
- W Grand Cherokee 4WD (RHD) 97-98
- X Grand Cherokee 2WD
- Y Wrangler (U.S.)
- Z Grand Cherokee 4WD

⑥ Trim Level

- 1 "S" (YJ)
- 2 Base
- 2 Base, "SE" 92-98
- 3 Pioneer, Islander
- 4 Sahara
- 5 Renegade, Grand 89-91
- 5 Laredo 92-98
- 6 Eliminator, Sport 89-91
- 6 Renegade, Sport, "SE" 92-98
- 7 Briarwood, Limited 89-91

- 7 Briarwood, Limited, Country 92-98
- 8 Sport, Grand Wagoneer

⑦ Body Type

- 6 2-door Pickup
- 7 2-door Sport Utility
- 8 4-door Sport Utility
- 9 2-door Open Body

⑧ Engine Type

- B 2.1L L4 Turbo Diesel 91-95
- D 2.5L (150CID) L4 89-90
- E 2.5L (150CID) L4 TBI 89-90
- F 2.5L (150CID) L4 94-95
- G 2.5L (150CID) L4 TBI 94-95
- H 2.5L (150CID) L4 MFI 94-95
- H 2.5L (150CID) L4 Leaded fuel 97-98
- L 4.0L L6 MFI 89-90
- M 4.2L (258CID) L6 2Bbl 89
- M 2.5L L4 Turbo Diesel 94-98
- P 2.5L L4 MFI (XJ) 91-97
- P 5.2L V8 Chrysler MFI (ZJ) 97-98
- S 4.0L L6 MFI 91-98
- T 4.2L (258CID) L6 2bbl 90
- U 4.0L L6 (Leaded fuel) 89-90
- V 4.0L L6 MFI 94-95
- V 4.0L L6 Leaded fuel 97-98
- Y 5.2L V8 Chrysler MFI 94-96
- Z 5.9L V8 Chrysler MFI 97-98
- 7 5.9L (360CID) V8 2Bbl 89-91

⑨ Check Digit

Numbers 1-9 and X are valid

⑩ Model Year

- K 1989
- L 1990
- M 1991
- N 1992
- P 1993
- R 1994
- S 1995
- T 1996
- V 1997
- W 1998

⑪ Assembly Plant

⑫ – ⑰ Serial Number

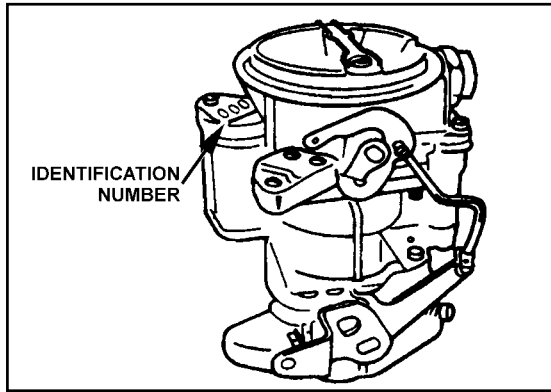
Production sequence number

MFI – Multi-point Fuel Injection, TBI – Throttle Body Injection

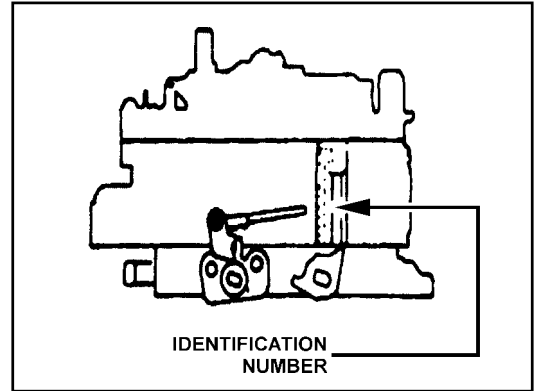
GENERAL INFORMATION

Carburettor Identification

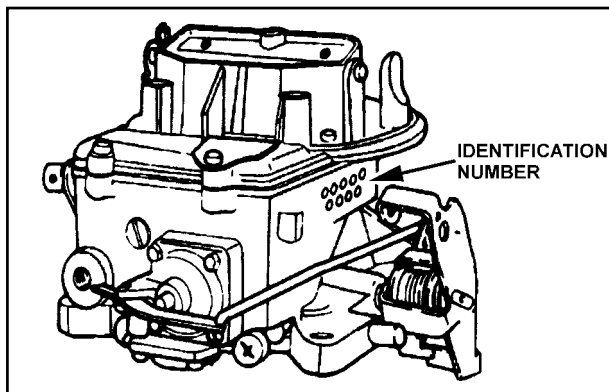
To find the correct carburettor kit for your application, it will be necessary to identify the type of carburettor fitted – this information may also be required for certain other components. Use the following identification guide to determine the carburettor fitted to your vehicle.



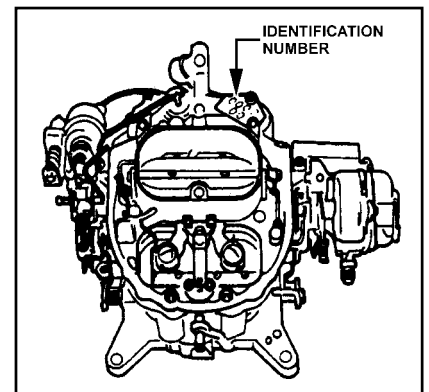
Carter 1bbl – Models YF, YFA



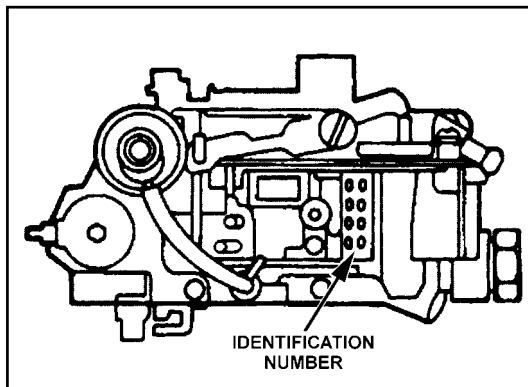
Carter 2Bbl – Model BBD



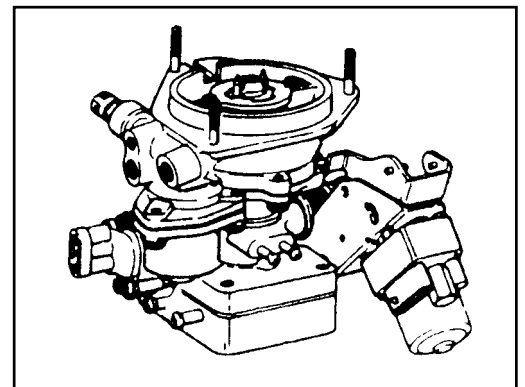
Ford 2Bbl – Models 2100, 2150



Ford 4Bbl – Model 4300

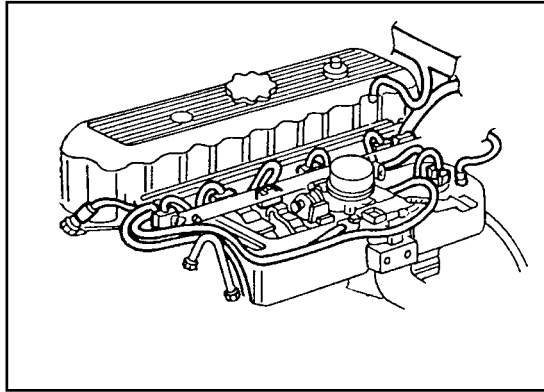


Rochester 2Bbl – Models 2SE, E2SE



Throttle Body Injector

GENERAL INFORMATION



Multi-point Injection (typical)

Disclaimer

Every effort has been made to provide complete and accurate information within this catalogue, which has been obtained from various sources. However, US Automotive Ltd accept no responsibility for any errors it may contain or the results of using such information.

US Automotive Ltd are in no way affiliated with Chrysler Corporation or Chrysler-Jeep UK Ltd. Throughout this catalogue, extensive use is made of model names, designations etc. which may be Trademarks or Registered Trademarks of Chrysler Corporation or others. Acknowledgement is hereby given to all trademarks and their respective owners.

All part numbers quoted are the property of US Automotive Ltd or their respective owners. They are intended for reference only and in general represent items that meet or exceed OEM specification. There is no intention to imply that these numbers are replacements for specific OEM part numbers.

JEEP ZJ MODELS

Ignition Parts

	Module	Pick-up	Reluctor	Rotor	Dist. Cap	Coil
94-95 4.0L Dist. #56027028	NR	JE01057	NR	JE01045	JE01041	JE01105
93 4.0L	NR	JE01057	NR	JE01042	JE01038	JE01105
93-94 5.2L	NR		NR	JE01044	JE01040	JE01105

Spark Plug Wires

	Part No.
93-95 4.0L	JE01006
93-95 5.2L	JE01007

Alternators

	Amps	Part No.
93-94 4.0L	90	JE02013
93-94 5.2L	90	JE02013

Batteries

	CCA	Part No.
93-94 ALL	675	JE02002

Starters

	Part No.
93-94 4.0L PMGR	JE02026
93-94 5.2L PMGR	JE02021

Sensors & Switches

	Part No.
93 ALL Coolant Temperature Sensor	JE01102
93 ALL Ignition Lock Cylinder & Keys	JE01108
94-95 ALL Oil Pressure Switch	JE01074
93-94 4.0L Oxygen Sensor	JE01081
93-94 5.2L PCV Valve	JE01117

Spark Plugs

	Gap	Part No.
93-96 4.0L	0.035"	JE01123
93-96 5.2L	0.035"	JE01123

Filters

	Oil Filter	Air Filter	Fuel Filter
93-96 4.0L	JE03027	JE03006	JE03009
93-96 5.2L	JE03027	JE03006	JE03009

JEEP ZJ MODELS

Auto Trans Filter Kits

		Part No.
94-96	4.0L, 5.2L	JE03002
93	4.0L, 5.2L w/A999 Transmission	JE03002
93	4.0L, 5.2L w/AW4 Transmission	JE03004

Brake Pads & Shoes

			Part No.	
93-95	F	Disc Pad	JE04013	
94-95	R	Disc Pad	w/Rear Disc from Chassis #358321	JE04016
94	R	Disc Pad	w/Rear Disc to Chassis #358321	JE04015
93-95	R	Brake Shoe	w/Rear Drum	JE04007
95	R	Parking Brake Shoe	w/Rear Disc	JE04009
94	R	Parking Brake Shoe	w/Rear Disc	JE04008

Brake Rotors & Drums

			Part No.
93-95	F	Hub & Rotor	JE04023
94	R	Disc Rotor	JE04024

Brake Master Cylinder

		Master Cylinder	Bore Size	Repair Kit
95		w/ABS & Rear Disc	JE04078	1"

Brake Calipers

			Left Hand	Right Hand	Piston	Bore Size	Repair Kit
95	F	All				2 19/32"	JE04066
94	R						JE04069
93-94	F	4WD	JE04150	JE04149	JE04137	2 19/32"	JE04066

Brake Wheel Cylinders

		Left Hand	Right Hand	Bore Size	Repair Kit	Bleeder Screw
93-95	All	JE04095	JE04096	7/8"	JE04063	JE04059

Brake Hoses

		L/H Front	R/H Front	L/H Rear	R/H Rear
94-95	All w/Rear Disc from 20/8/93	JE04176	JE04177	JE04175	JE04174
94	All w/Rear Disc to 20/8/93	JE04167	JE04166	JE04175	JE04174
94-95	All w/Rear Drum from 20/8/93	JE04176	JE04177	JE04173	
94	All w/Rear Drum to 20/8/93	JE04167	JE04166	JE04173	
93	All	JE04167	JE04166		

JEEP ZJ MODELS

Brake Cables

		Front	L/H Rear	R/H Rear
94-95	All w/Rear Disc	JE04054		
94-95	All w/Rear Drum	JE04054	JE04056	JE04055
93	All	JE04054		

Brake Hardware

				Part No.
93-95	F	Caliper Hardware Kit	(2 required)	JE04108
94-95	R	Caliper Hardware Kit		JE04109
93-95	R All	Drum Springs - All-in-One Kit		JE04118
93-95	R All	Drum Brake - Self-Adjuster Repair Kit	Left Hand	JE04105
93-95	R All	Drum Brake - Self-Adjuster Repair Kit	Right Hand	JE04106

Drive Belts

				Part No.
94	4.0L	w/A/C	Multi-Access Belt	JE05082
		w/o A/C	Multi-Access Belt	JE05073
93	4.0L	w/A/C	Multi-Access Belt	JE05082
		w/o A/C	Multi-Access Belt	JE05074
93-94	5.2L	w & w/o A/C	Multi-Access Belt	JE05085

Hoses

			Upper		Lower	
			Curved	Flex	Curved	Flex
93-94	4.0L	w/o A/C			JE05058	
		w/A/C	JE05057		JE05058	
93-94	5.2L	w & w/o A/C	JE05059		JE05060	
		By-pass Hose	JE05056			

Radiator Caps

			Pressure	Regular	Lever
94	ALL		18lb	JE06008	
93	ALL		16lb	JE06007	

Locking Gas Caps

		Part No.
93-94		JE06012

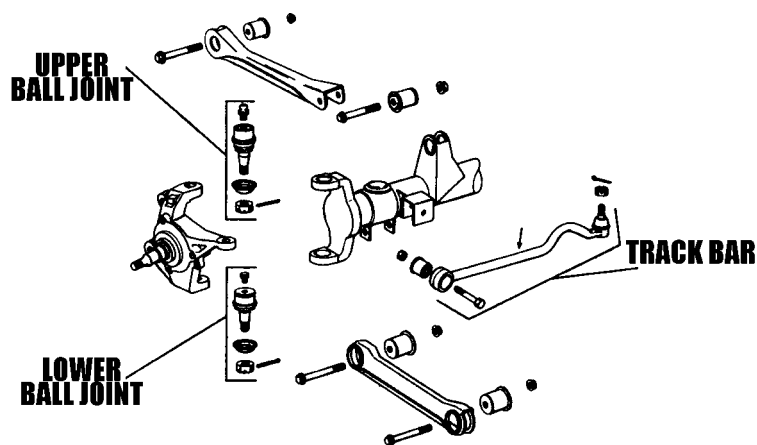
Bearings & Seals

			Bearing	Seal
Front Wheel				
94-96	2WD	Assembly	JE07032	
93-96	4WD	Assembly	JE07032	

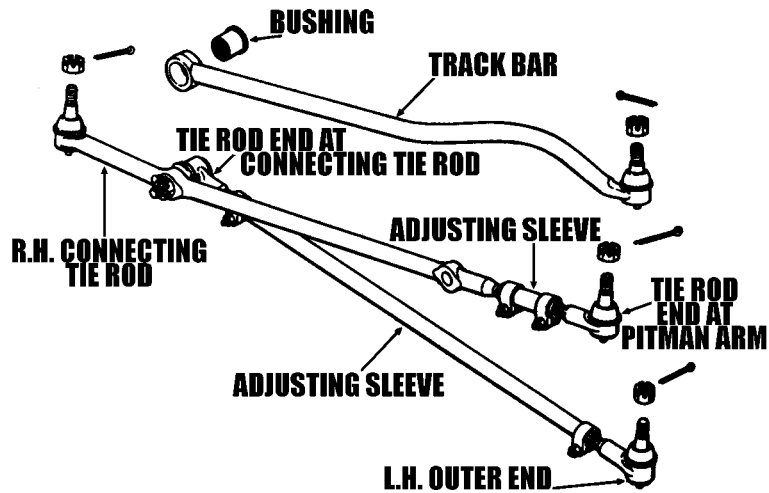
JEEP ZJ MODELS

Rear Wheel			Bearing	Seal
96-96	Dana 35		JE07012	JE07080
		Repair Bearing	JE07106	
94-96	Dana 44-1HD	Inner	JE07083	JE07080
		Outer		JE07010
Front Differential			Bearing	Seal
93-96	Dana 30AF		(2) JE07057	
		Kit	JE07104	
Front Pinion			Bearing	Seal
93-96	Dana 30AF	Inner	JE07093	
		Outer	JE07058	JE07014
Rear Differential			Bearing	Seal
93-96	Dana 35C		(2) JE07057	
		Kit	JE07105	
93-96	Dana 44-1HD		(2) JE07065	
		Kit	JE07101	
Rear Pinion			Bearing	Seal
93-95	Dana 35C	Inner	JE07092	
		Outer	JE07099	JE07053
93-96	Dana 44-1HD	Inner	JE07070	
		Outer	JE07058	JE07014
Automatic Transmission			Bearing	Seal
93-96	A904/30RH	Front Pump		JE07072
		Extension Housing		JE07005

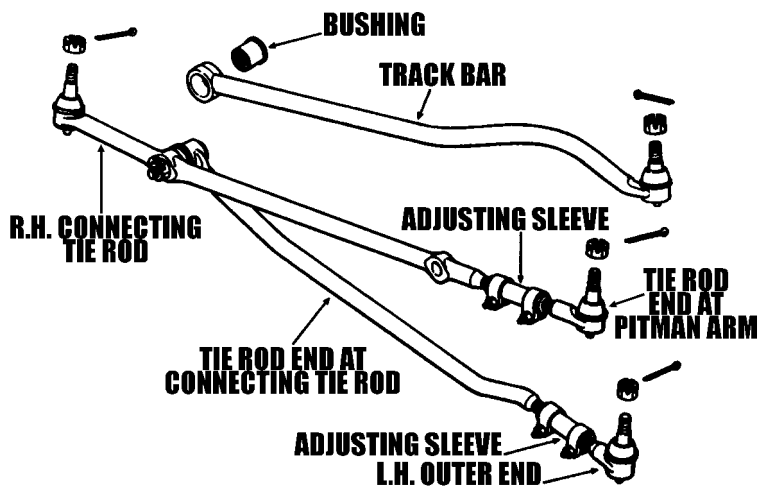
Steering & Suspension



Suspension kits			Part No.
93-94	2WD Upper Ball Joint		JE08038
93-94	2WD Lower Ball Joint		JE08041
93-94	2WD Track Bar		JE08008

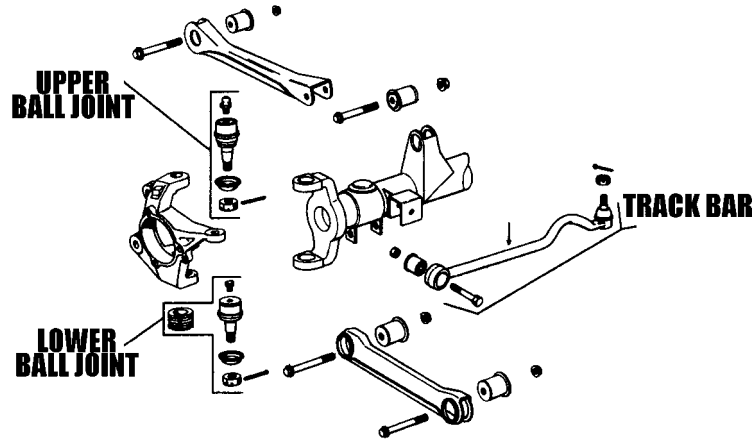


Steering Linkage	R.H. Connecting Tie Rod	Adjusting Sleeve	T.R.E At Pitman Arm	T.R.E. At Connecting Tie Rod	Adjusting Sleeve	L.H. Outer End
93-94 2WD w/4.0L L6 Engine			JE08031	JE08030		JE08029

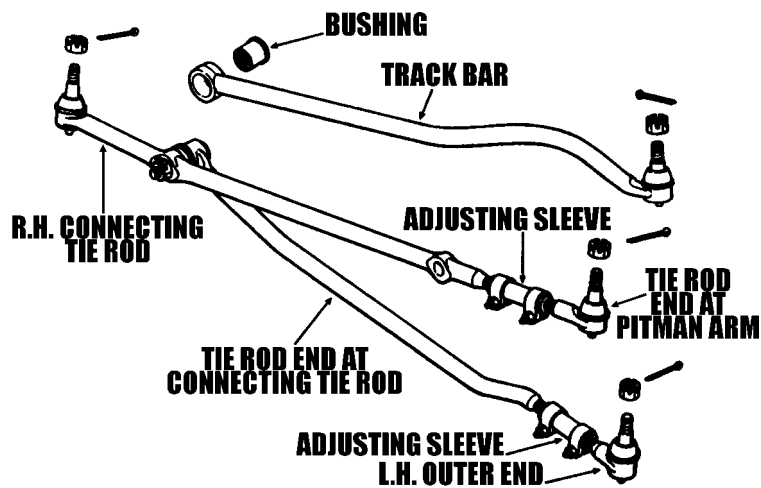


Steering Linkage	R.H. Connecting Tie Rod	Adjusting Sleeve	T.R.E At Pitman Arm	T.R.E. At Connecting Tie Rod	Adjusting Sleeve	L.H. Outer End
93-94 2WD w/5.2L V8 Engine		JE08021	JE08031		JE08021	JE08031

JEEP ZJ MODELS



Suspension kits	Part No.
93-94 4WD Upper Ball Joint	JE08038
93-94 4WD Lower Ball Joint	JE08041
93-94 4WD Track Bar	JE08008



Steering Linkage	R.H. Connecting Tie Rod	Adjusting Sleeve	T.R.E. At Pitman Arm	T.R.E. At Connecting Tie Rod	Adjusting Sleeve	L.H. Outer End
93-94 4WD w/4.0L L6 Engine			JE08031	JE08030		JE08029
93-94 4WD w/5.2L V8 Engine		JE08021	JE08031		JE08021	JE08031

USA Automotive Ltd

St Martin's Way, Bedford, MK42 0LF

Tel: (01234) 273155 Fax:01234 273064 e-mail:sales@usauto.co.uk